

Service Manual

Model: AMX-140/AMX-140FX



www.altoproaudio.com

Version: 1.1

CONTENTS

1. Specification

2. Block Diagram

3. Schematic Diagram

4. Printed Circuit Board

5. Wiring Diagram

~~**6. Test Procedure**~~

7. Electrical Parts List

8. Exploded Views & Mechanical Parts List

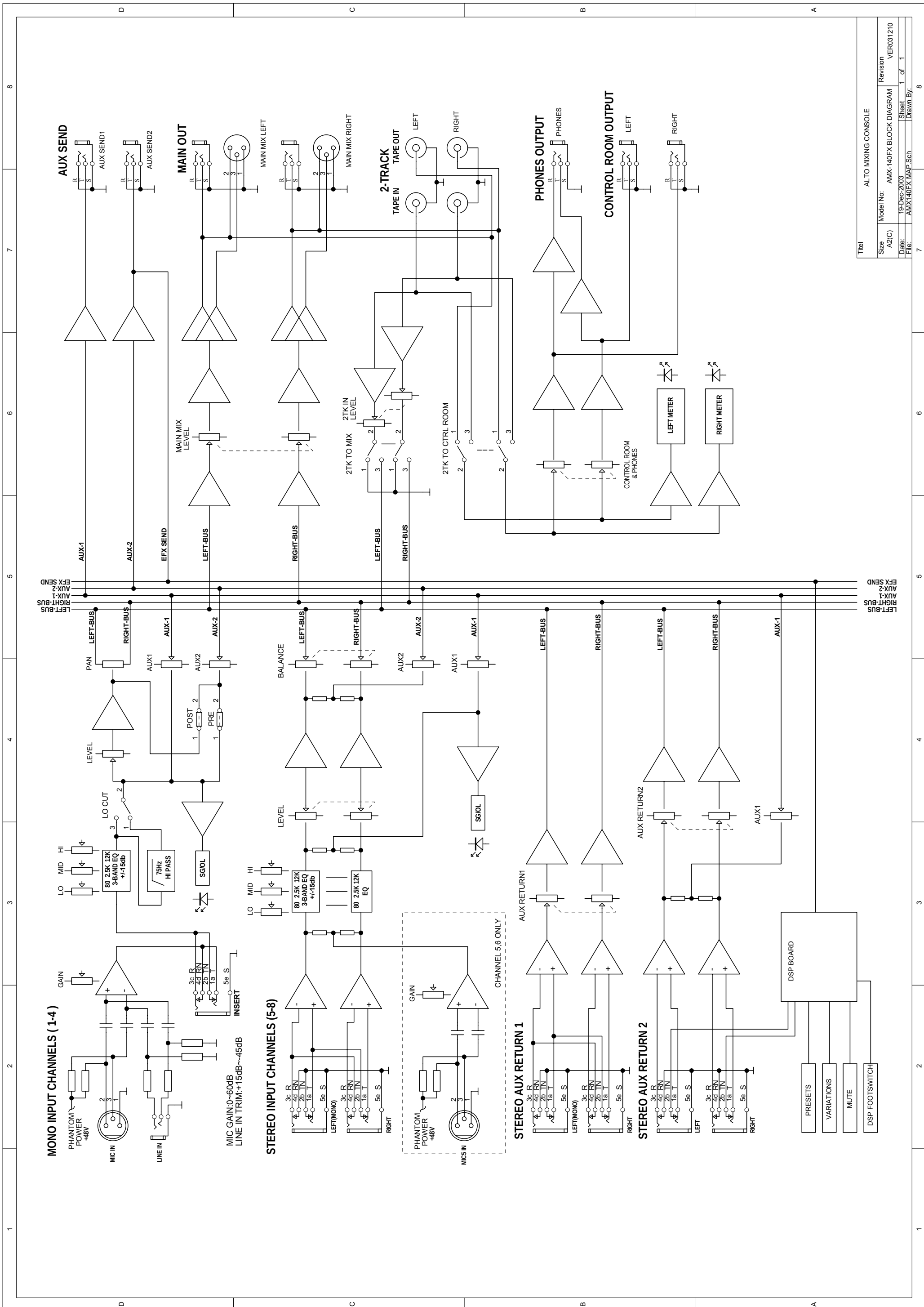
9. Notes

1. Specification

Mono input channels		
	Microphone input	electronically balanced, discrete input configuration
	Frequency response	10Hz to 55kHz, +/- 3dB
	Distortion (THD & N)	0.005% at +4dBu, 1kHz
	Gain range	0dB to 44dB (MIC)
	SNR (Signal to Noise Ratio)	115dB
	Line input	electronically balanced
	Frequency response	10Hz to 55kHz, +/- 3dB
	Distortion (THD & N)	0.005% at +4dBu, 1kHz
	Sensitivity range	+15dBu to - 30dBu
Stereo input channels		
	Line input	Unbalanced
	Frequency response	10Hz to 55kHz, +/- 3dB
	Distortion (THD & N)	0.005% at +4dBu, 1kHz
Impedances		
	Microphone input	1.4kOhm
	Channel Insert return	2.5kOhm
	All other inputs	10kOhm or greater
	Tape out	1kOhm
	All other output	120Ohm
Equalization		
	Hi shelving	+/- 15dB @12kHz
	Mid bell	+/- 12dB @2.5kHz
	Low shelving	+/- 15dB @80Hz
	Low Cut filter	75Hz, 18dB/oct.
DSP Section (For AMX-140FX Model)		
	A/D and D/A converters	24 bit
	DSP resolution	24 bit
	Type of effects	Hall, Room, Vocal & Plate REVERBS Mono & Stereo DELAY (max DELAY TIME 650ms) Chorus, Flanger & Reverb MODULATIONS REVERB+DELAY, REVERB+CHORUS, REVERB+FLANGER combinations
	Presets	256
	Controls	16-position PRESET Selector 16-position VARIATION selector PEAK LED MUTE SWITCH with LED indicator
Main Mix Section		
	Noise (Bus noise)	Fader 0 dB, channels muted: - 100dBr (ref.:+4dBu) Fader 0dB, all input channels assigned and set to UNITY gain: - 90dBr (ref.:+4dBu)
	Max output	+22dBu balanced XLR, +22dBu unbalanced, 1/4" jacks
	AUX Returns gain range	-∞ to +20dB
	AUX Sends max out	+22dBu

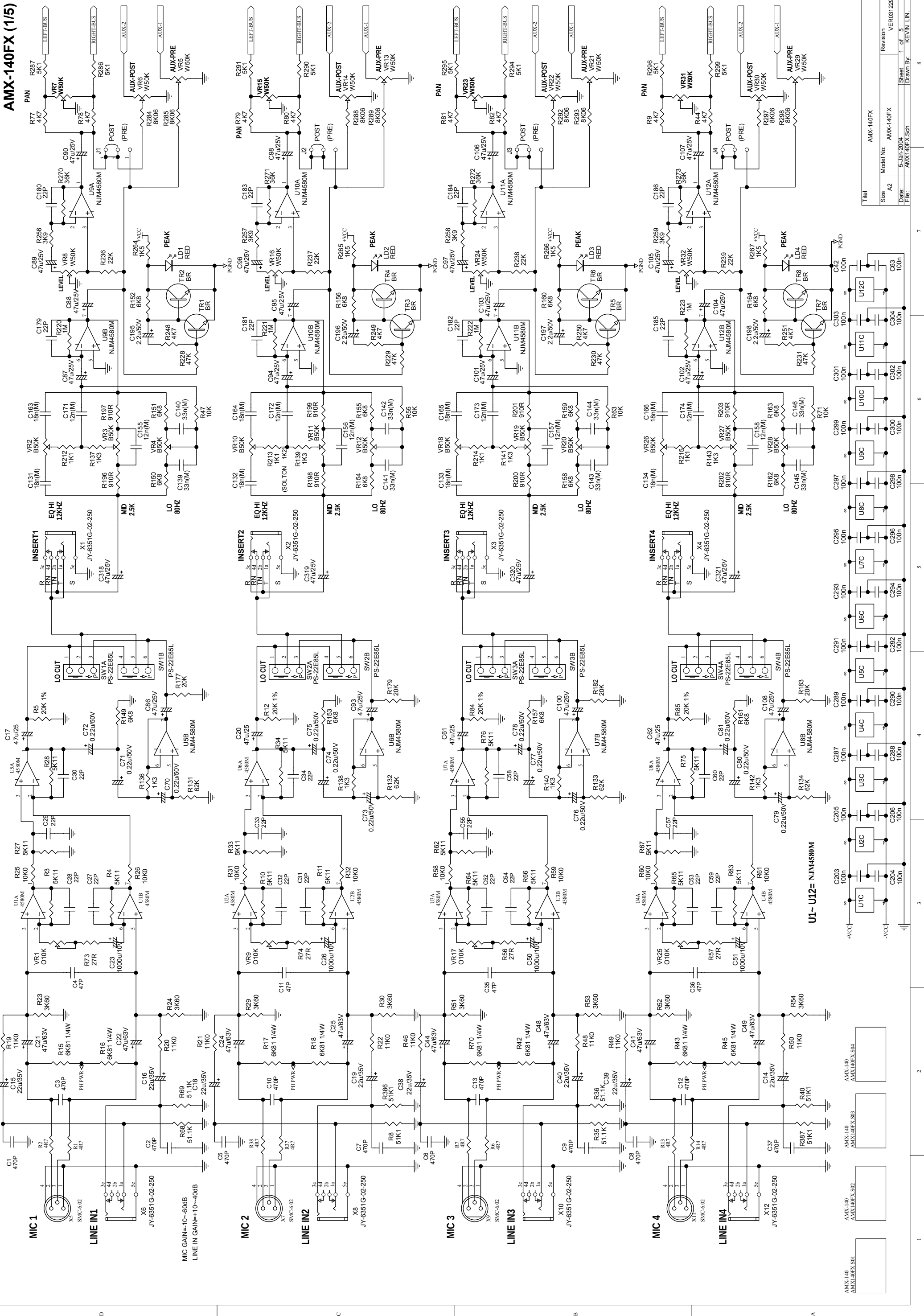
Power supply (AC/AC Adaptor)		
	Main voltage	USA/Canada 100 - 120V~, 60Hz
		Europe 210 - 240V~, 50Hz
		U.K./Australia 240V~, 50Hz
	Power Consumption	17.1 watts
Physical		
	Dimension (W×D×H)	270mm×310mm×35/45mm (7.79"×8.95"×1.01"/1.30")
	Net weight	3.0Kg (6.61lb)
	Shipping weight	3.6Kg (7.94lb)

2.Block Diagram



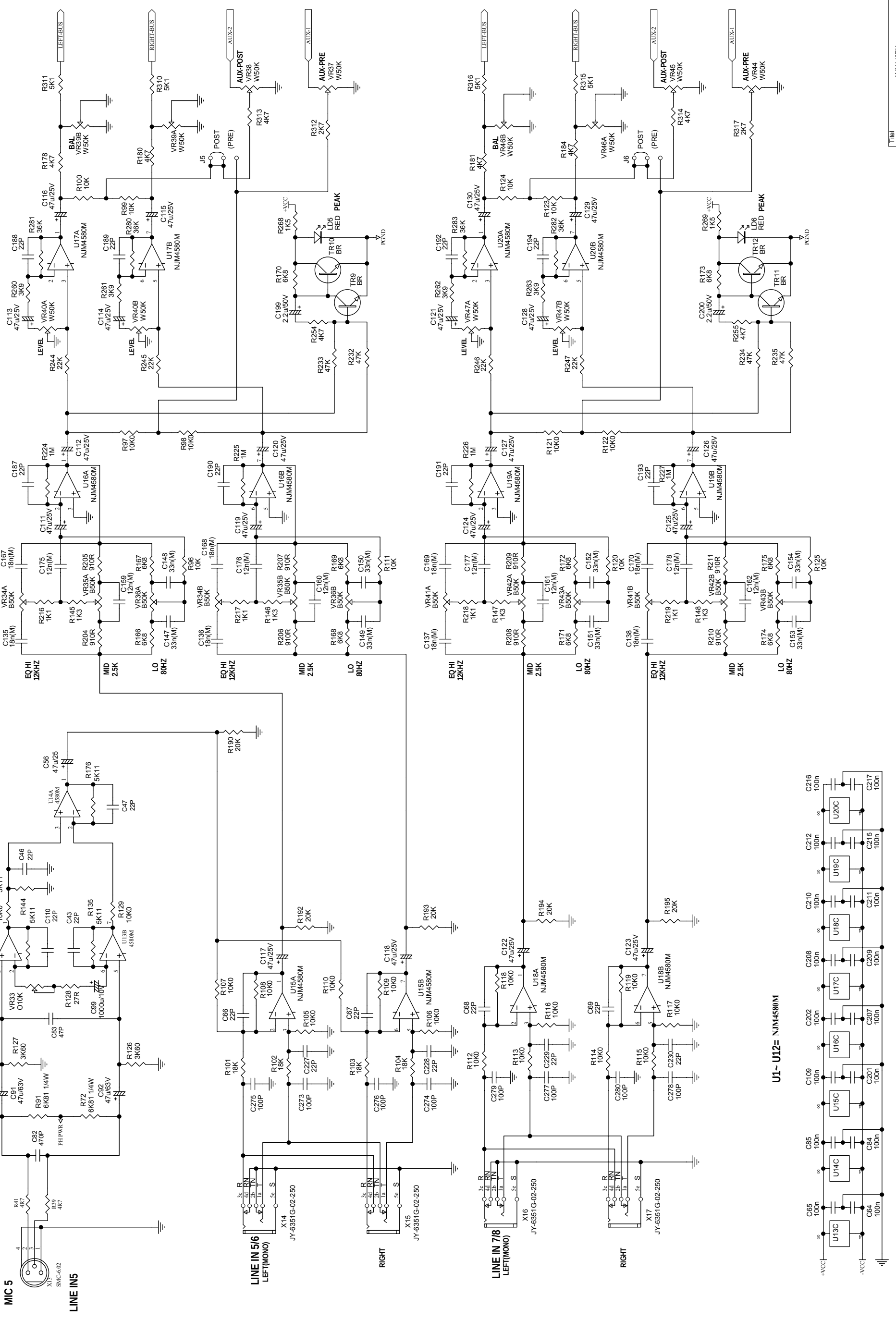
Title	ALTO MIXING CONSOLE		
Size	Model No:	Revision	
A2(C)	AMX-140FX BLOCK DIAGRAM	VER031210	
Date:	19-Dec-2003	Sheet	1 of 1
File:	AMX140FX (MAP.Sch)	Drawn By:	

3. Schematic Diagram



TiEi	AMX-140FX
Size	A2
Model No.	AMX-140FX
Date	5-18-2003
Rev.	1
Drawn By	REV/LIN
Sheet	1 of 5
Revision	VER031229

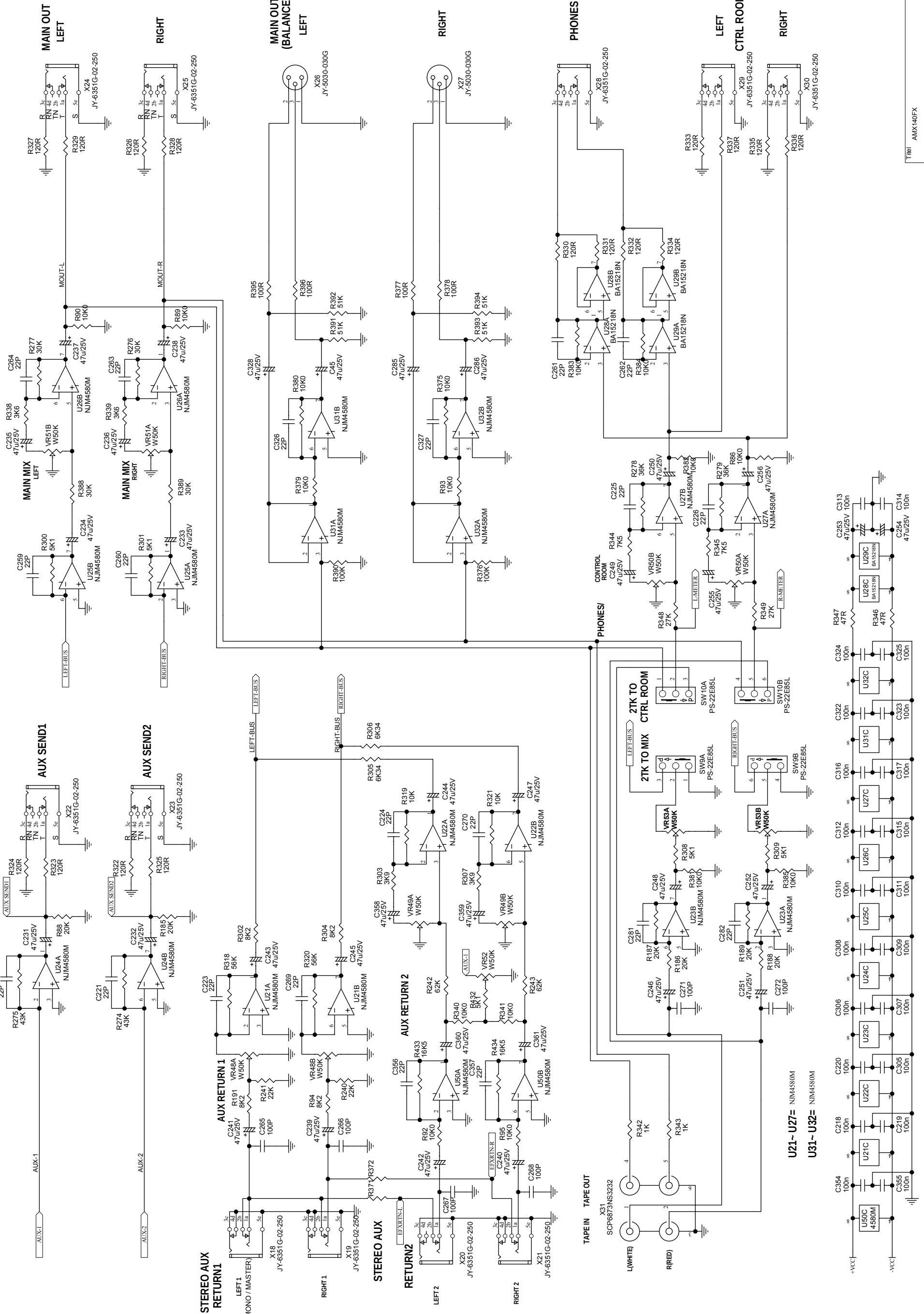
AMX-140FX (2/5)



U1~U12= NJM4580M

Title		AMX140FX	
Size	A2	Model No.	AMX140FX
Date	6-Jan-2004	Revision	VER031229
File	AMX140FX.S01	Sheet	2 of 5
		Drawn By	REVJLN

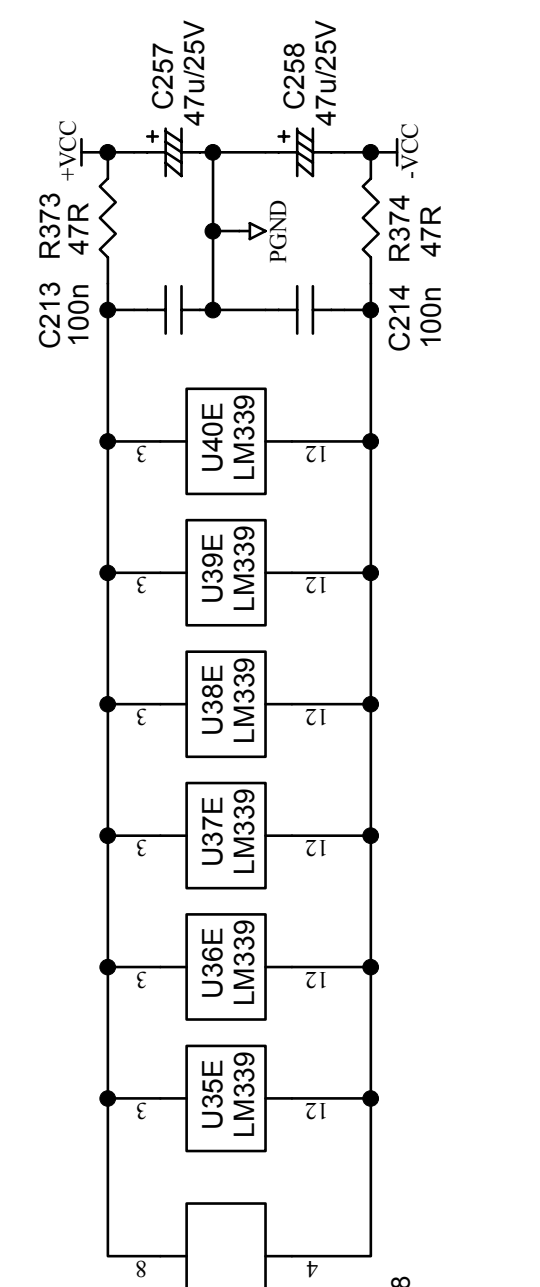
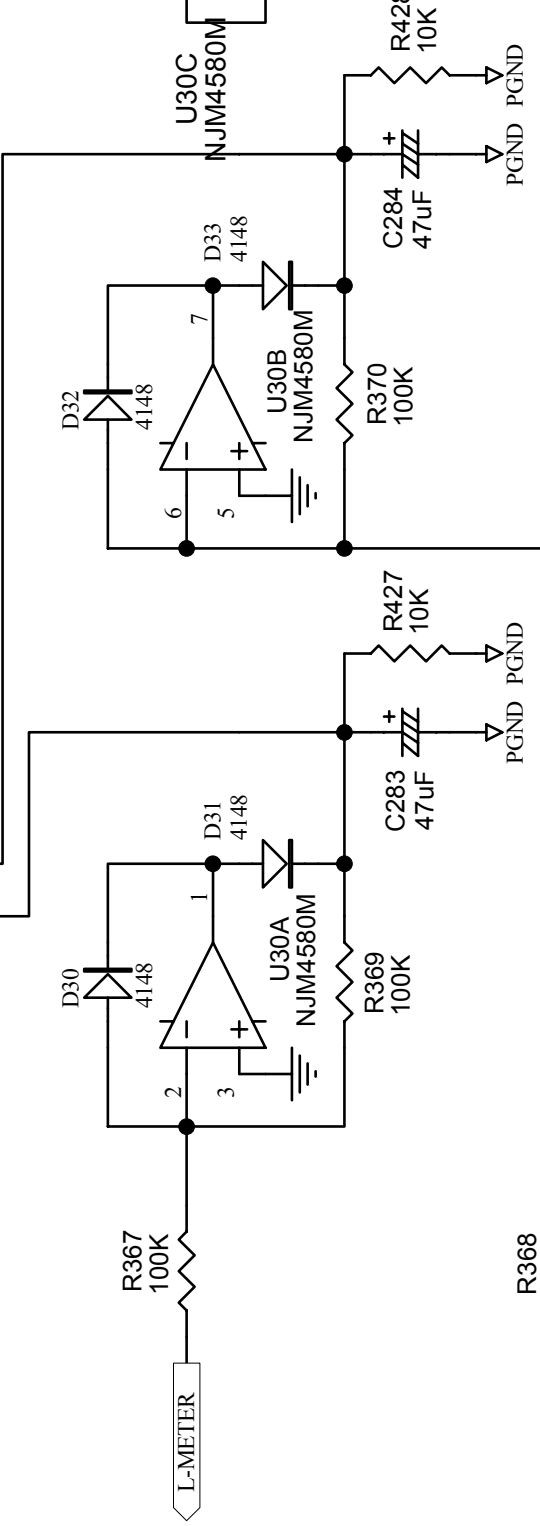
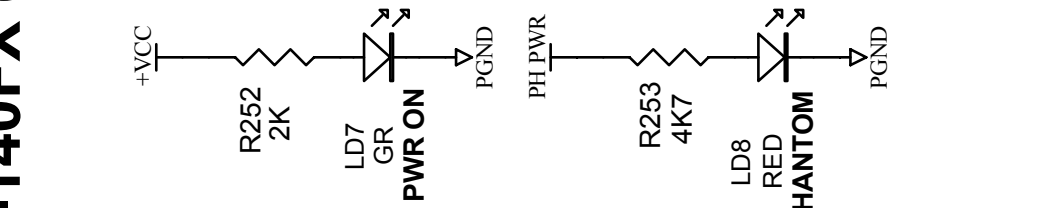
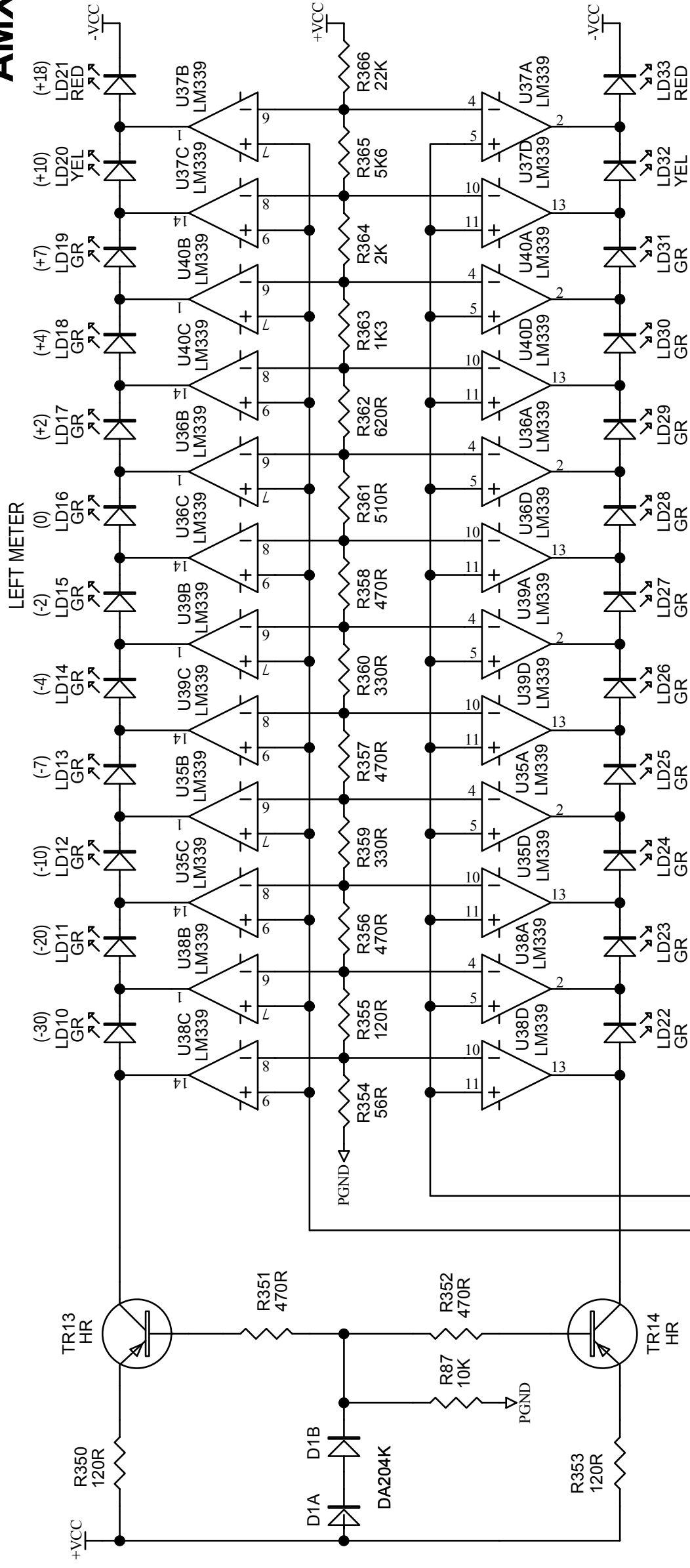
AMX-140FX (3/5)



File	AMX140FX
Model No.	AMX140FX
Size	A2
Date	6-Jan-2004
Rev.	3 of 5
Drawn By	REV.LIN
Revision	VER031229

AMX-140FX (4/5)

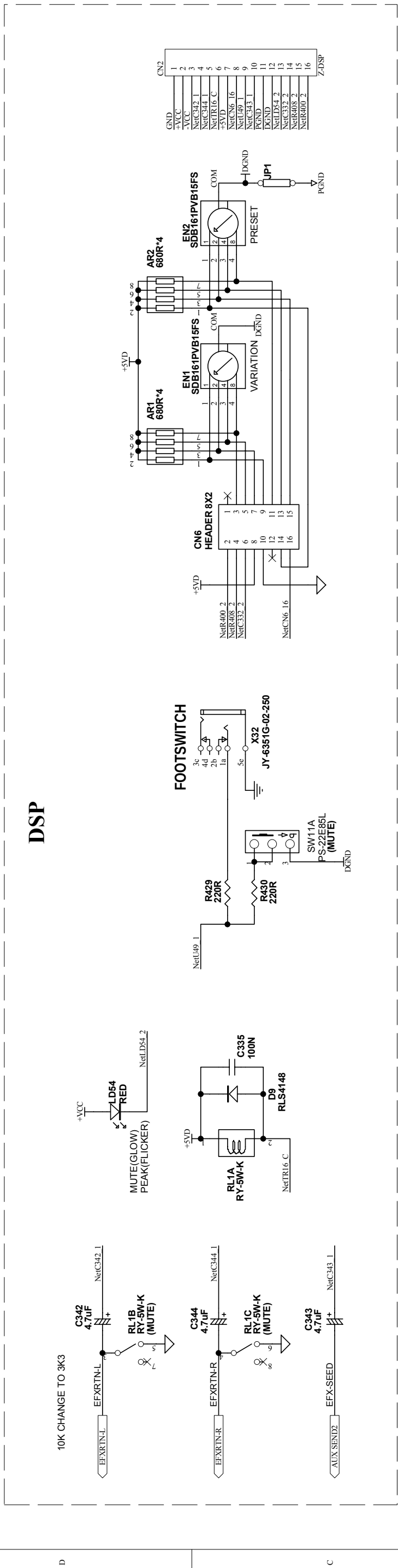
LEFT METER



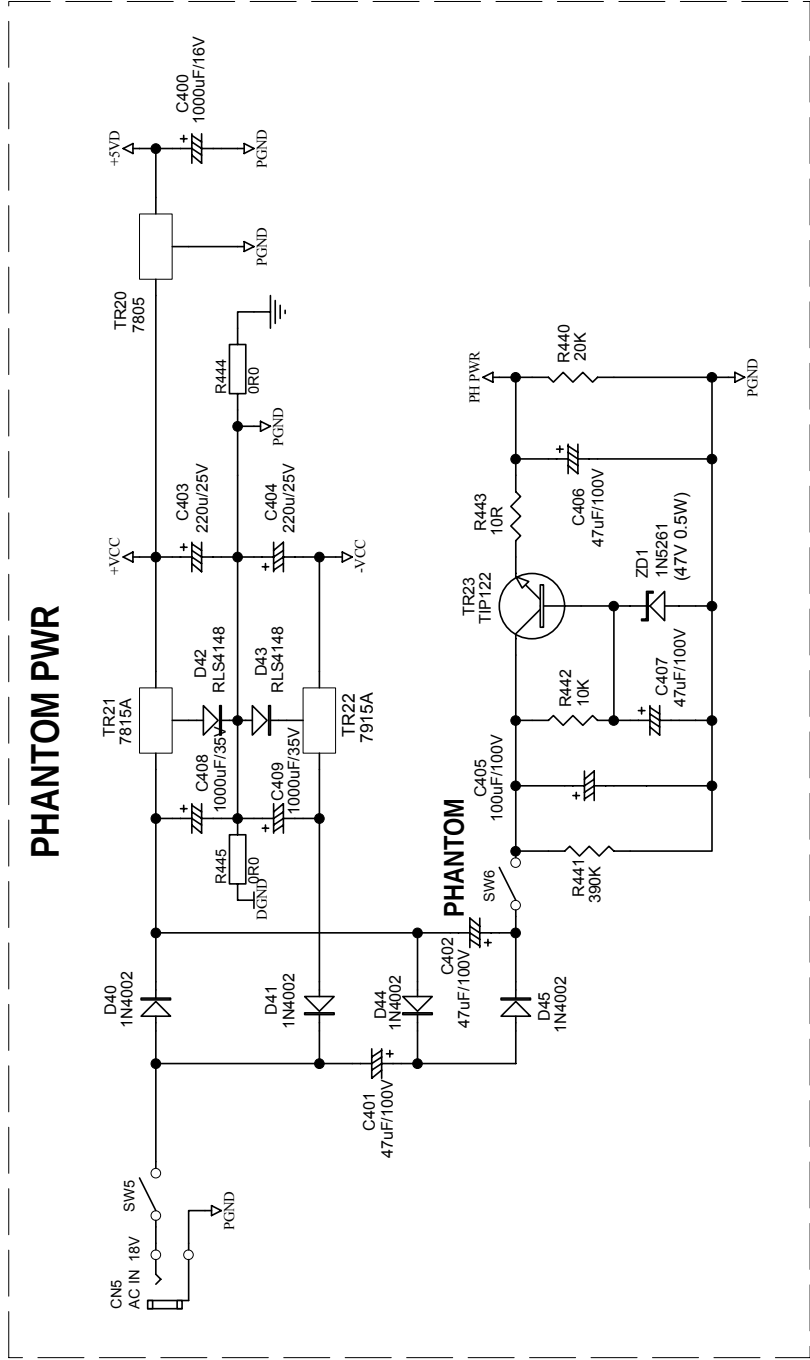
Titel		AMX140FX	
Size	Model No:	Revision	VER031229
A2	AMX140FX	4 of 5	
Date:	6-Jan-2004	Sheet	4 of 5
File:	AMX140FX.S03	Drawn By:	KEVIN LIN.

AMX-140FX (5/5)

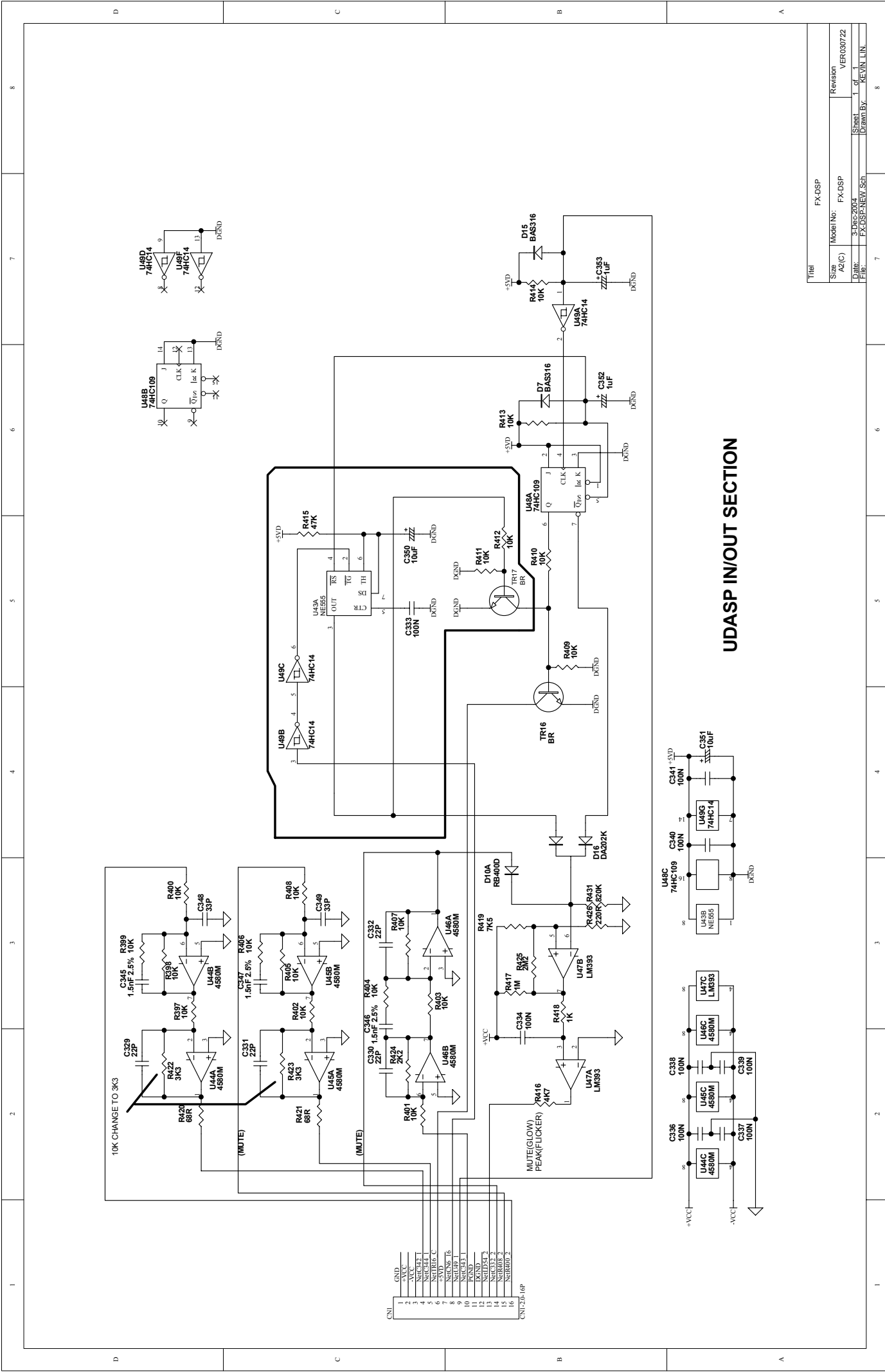
DSP



PHANTOM PWR

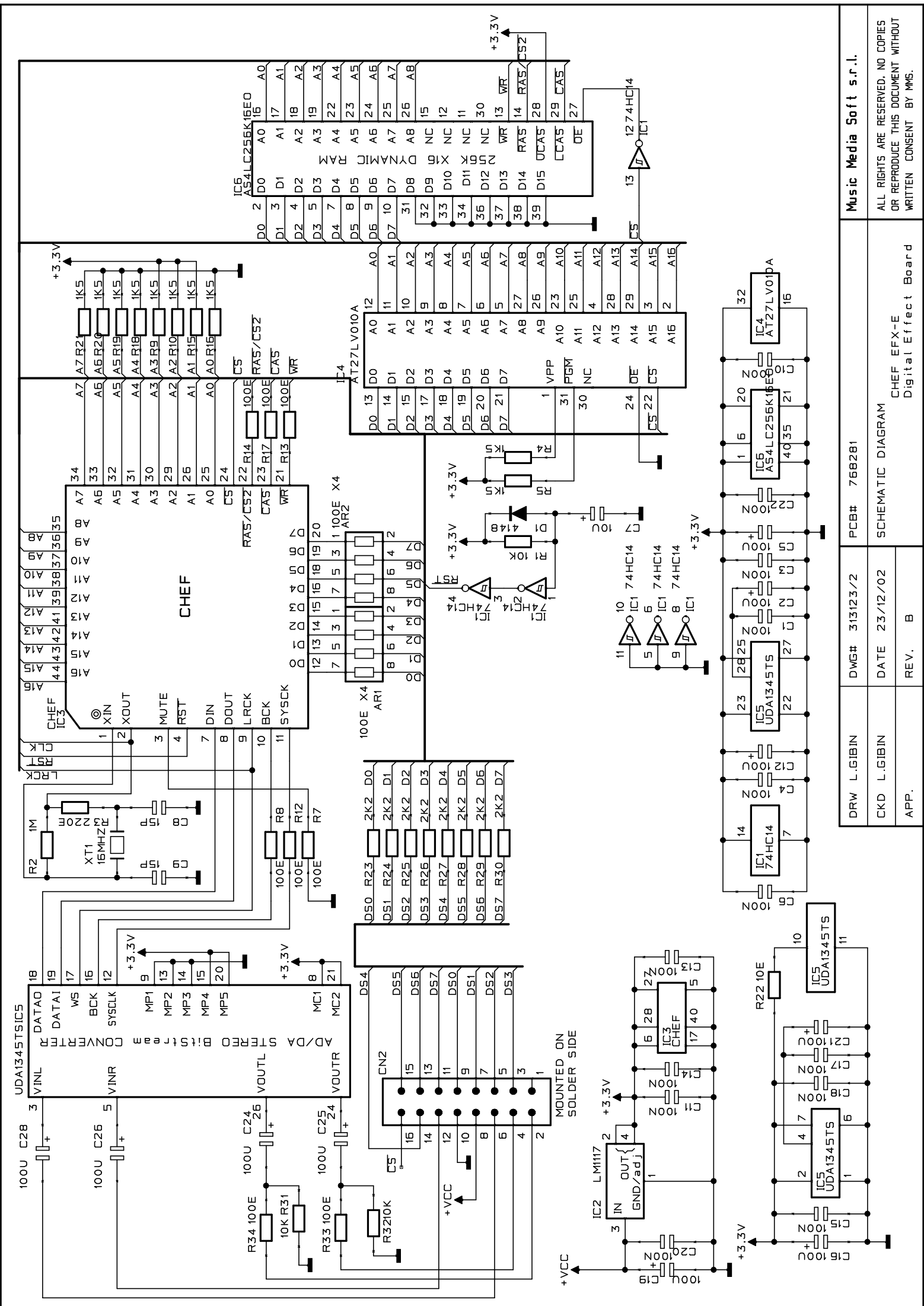


Title: AMX140FX	
Size: A2(C)	Model No: AMX140FX
Date: 6-Jan-2004	Revision: VER031229
File: AMX140FX.S04	Sheet: 5 of 5
Drawn By: KEVIN LIN	



UDASP IN/OUT SECTION

Title		FX-DSP	
Size	Model No.	FX-DSP	
A2(C)	VER030722		
File	3-DES-2003	Sheet	1 of 1
Lib	FX-DSP-NEW.Sch	Drawn By	KEVIN LIN



Music Media Soft s.r.l.
 ALL RIGHTS ARE RESERVED, NO COPIES
 OR REPRODUCE THIS DOCUMENT WITHOUT
 WRITTEN CONSENT BY MMS.

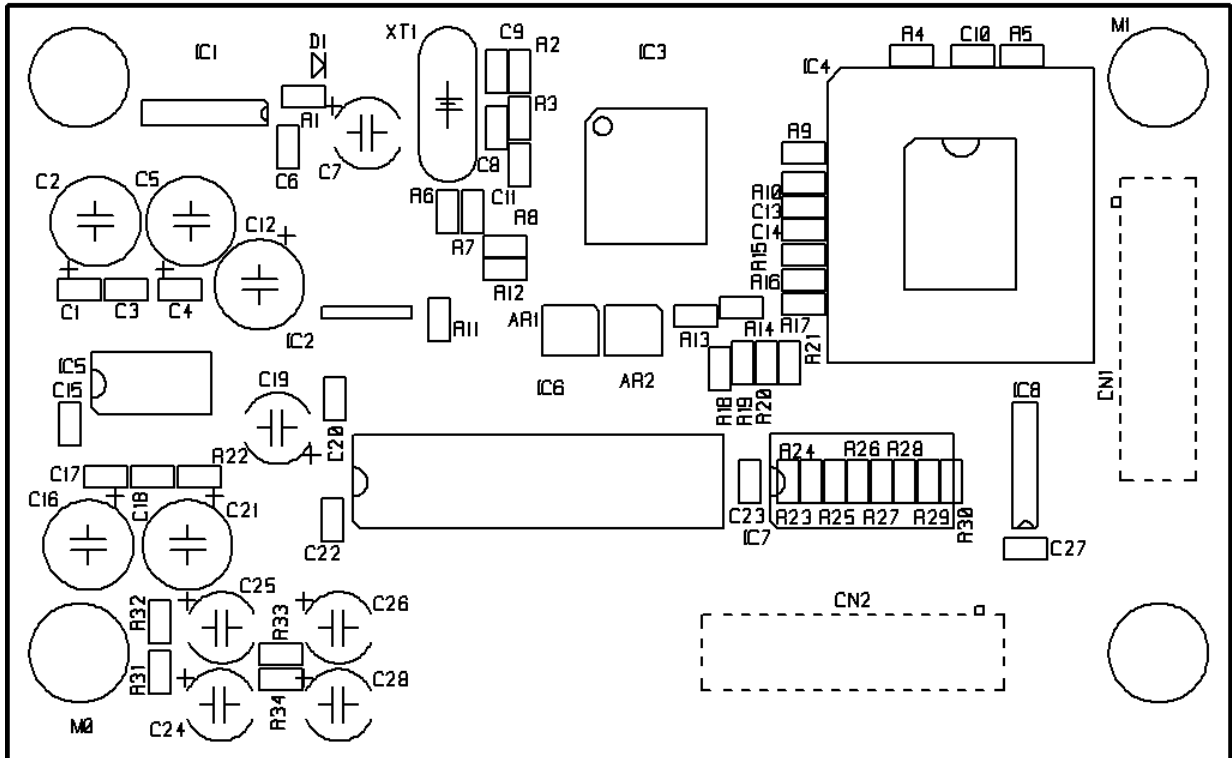
DRW L.GIBBIN
 CKD L.GIBBIN
 APP.

DWG# 313123/2
 DATE 23/12/02
 REV. B

PCB# 768281
 SCHEMATIC DIAGRAM
 CHEF EF-E
 Digital Effect Board

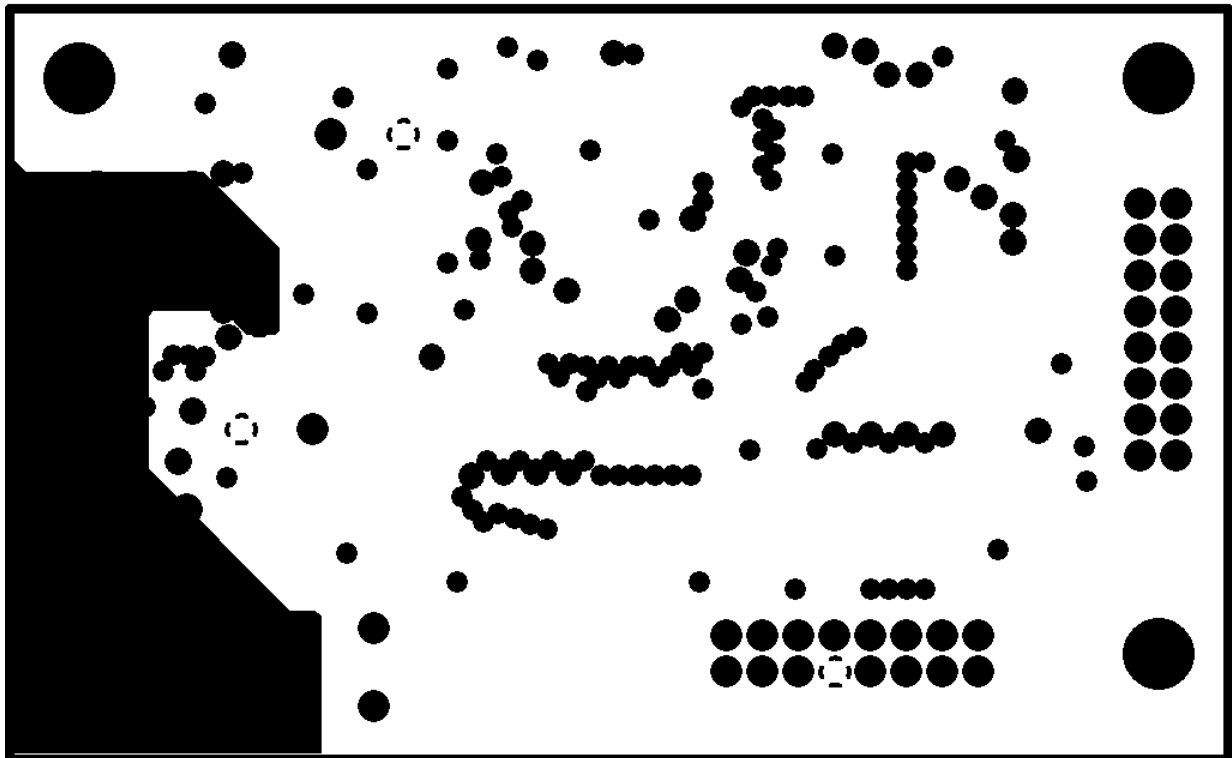
4. Printed Circuit Board

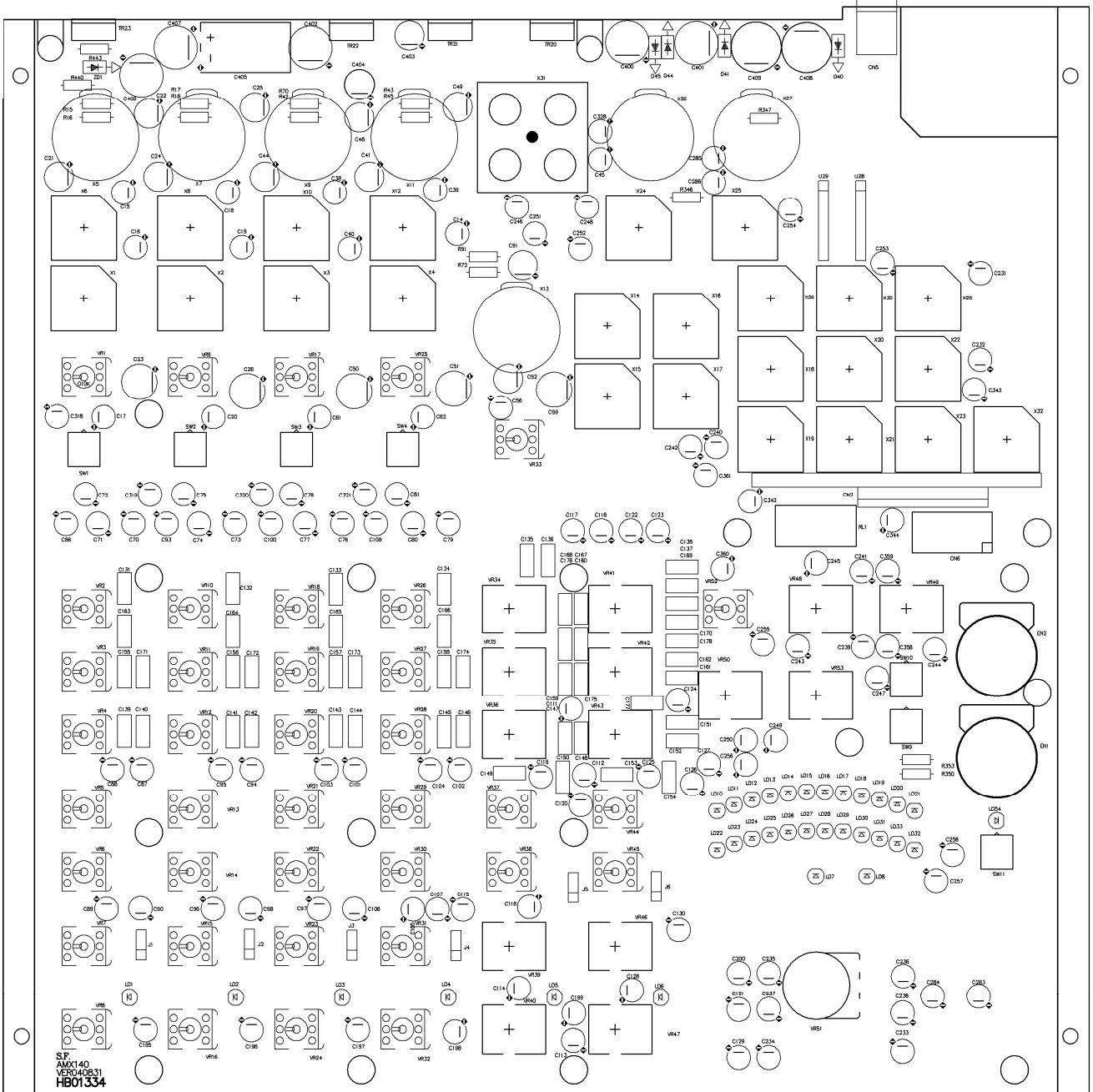
313123/2 TOP SILK



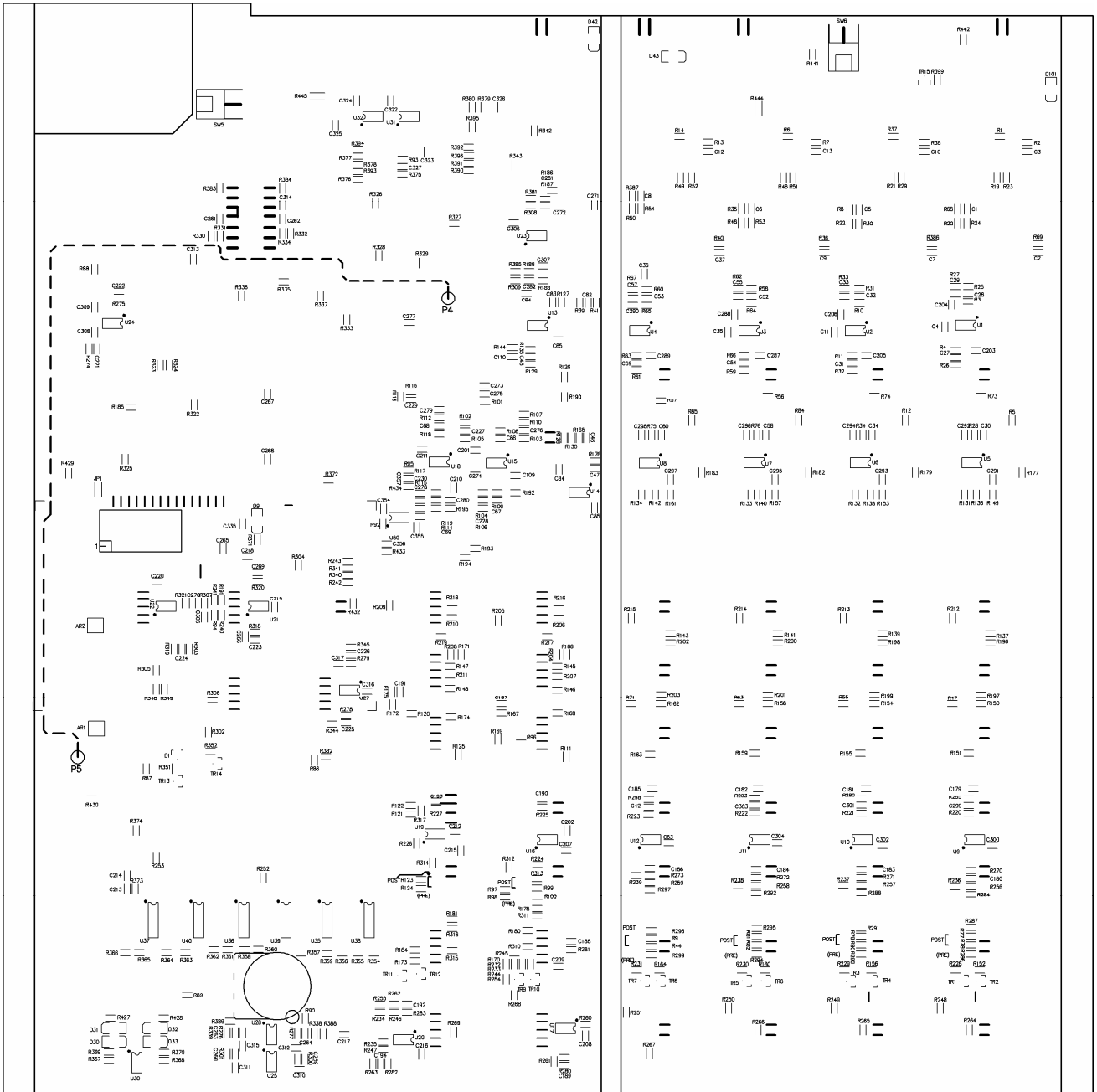
PCB : 313123/2 Top Overlay

313123/2 I* INTERNAL LAYER GND

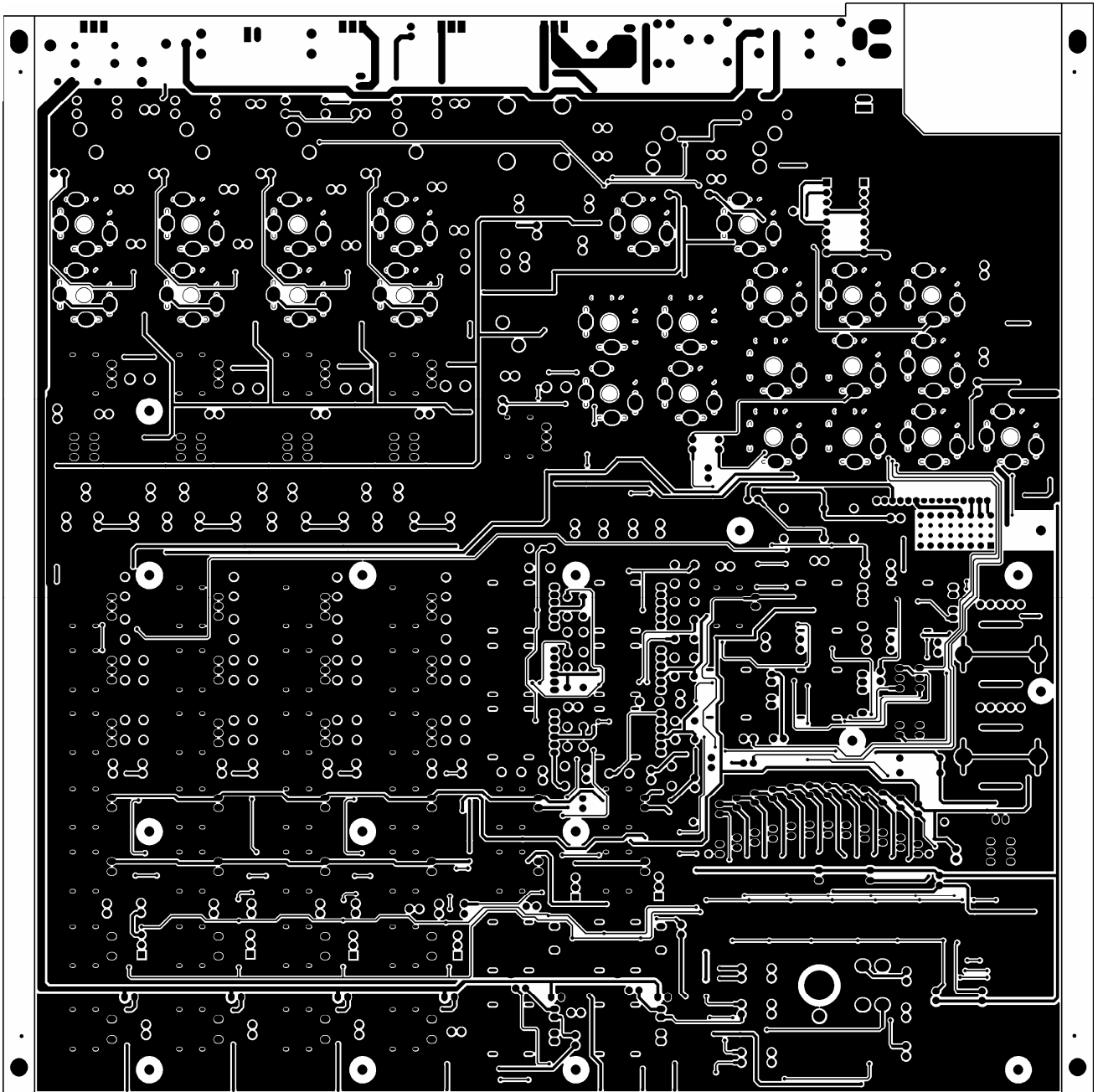




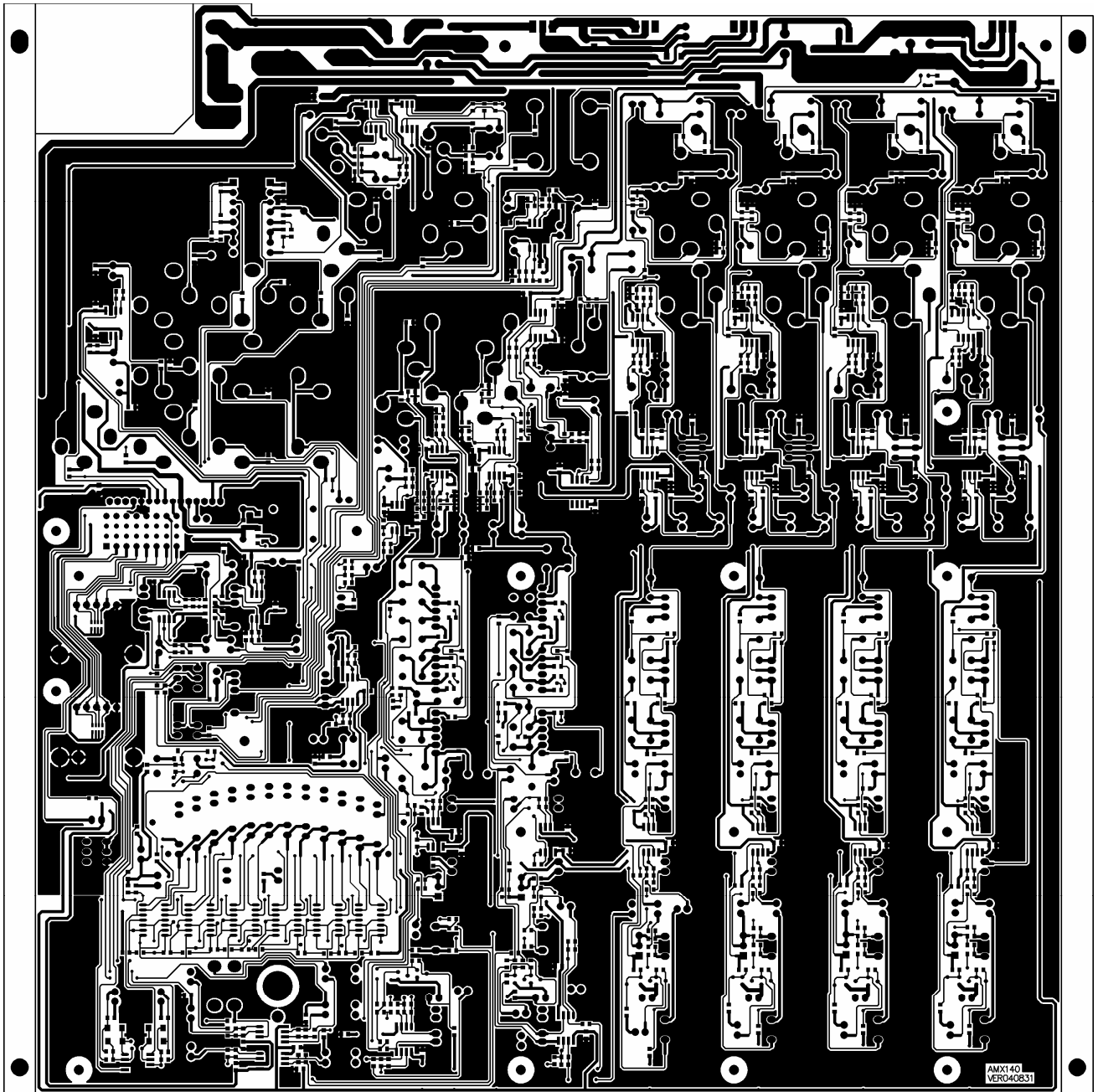
PCB : AMX-140FX Top Overlay



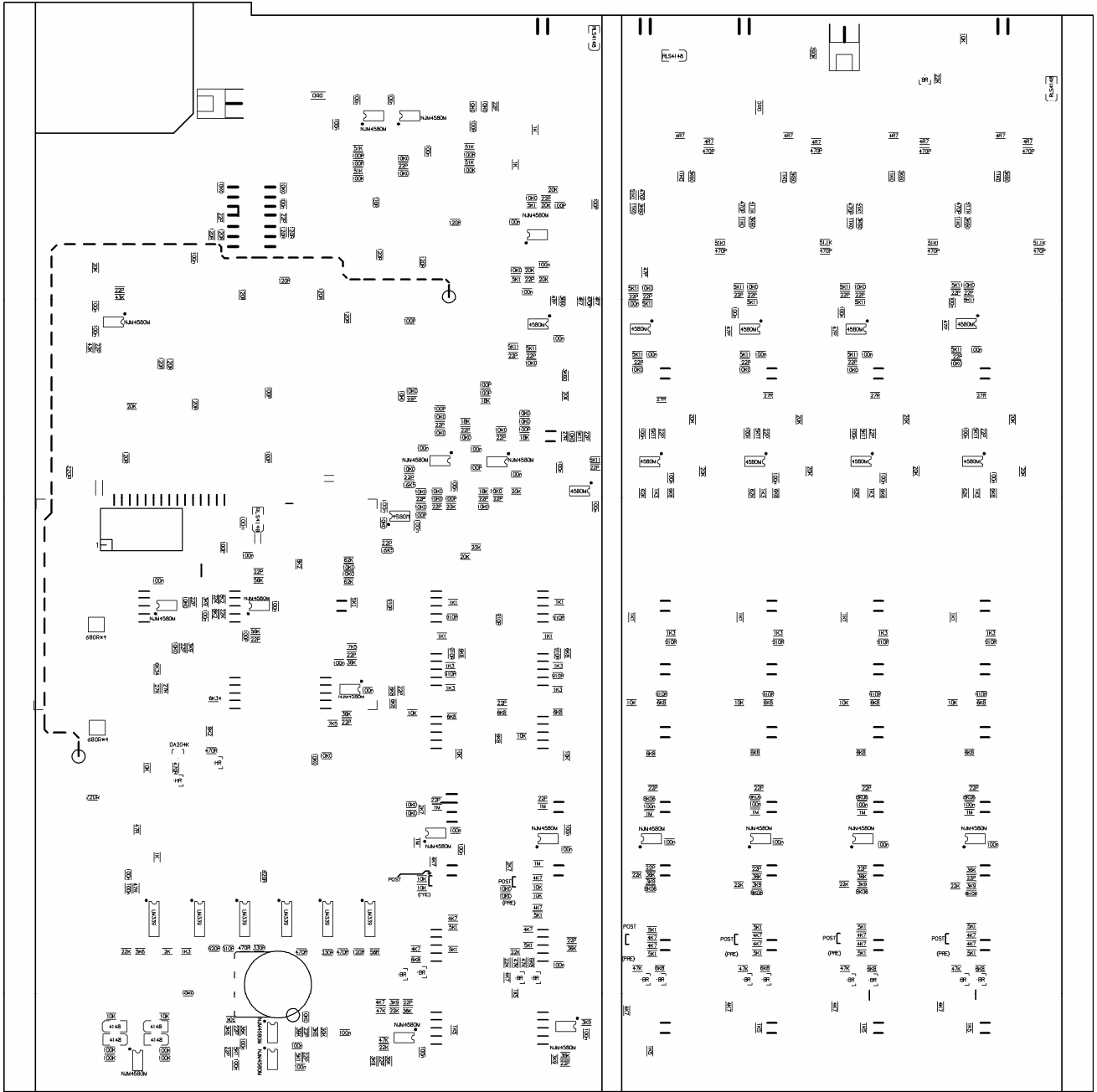
PCB : AMX-140FX Bottom Overlay



PCB : AMX-140FX Top Layer

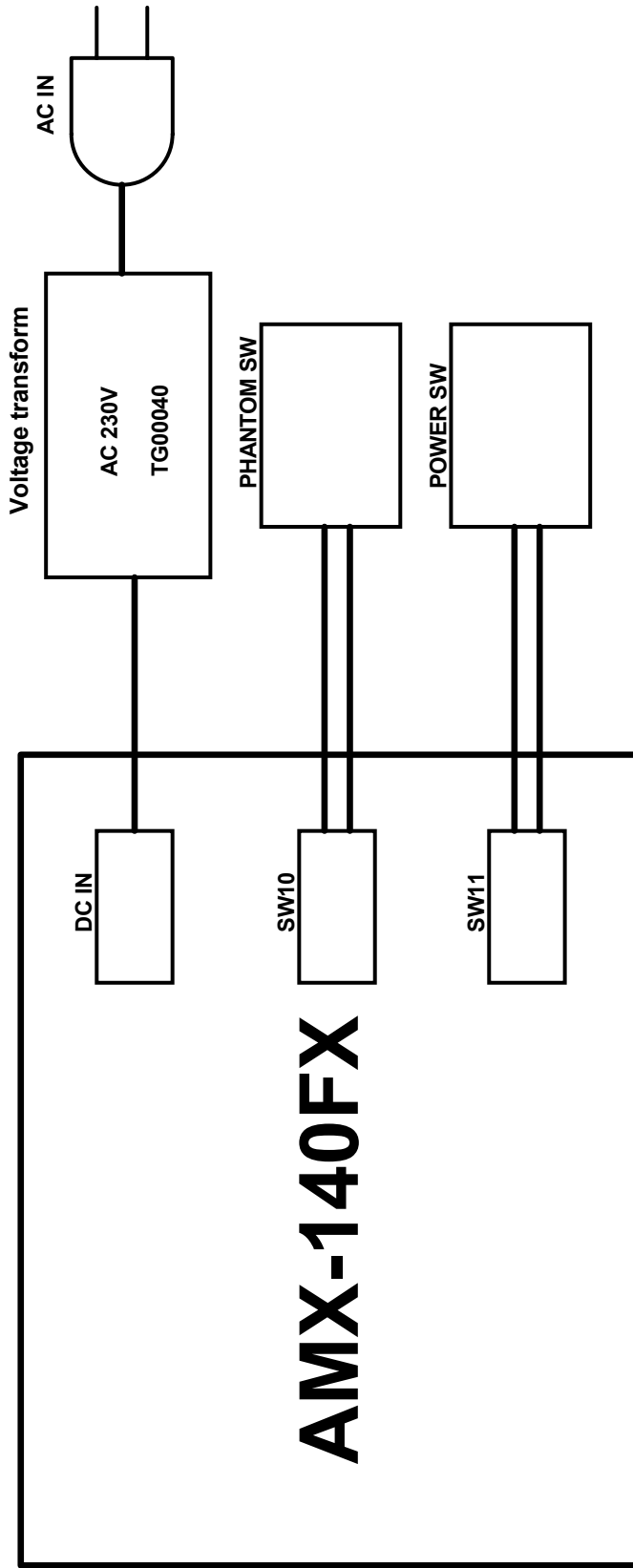


PCB : AMX-140FX Bottom Layer



PCB : AMX-140FX Bottom Overlay

AMX-140FX Wiring Diagram



Title	
Size	Number
A3	Revision
Date: 4-Dec-2004	Sheet of
File: D:\AMX-140FX	AMX-140FX.dwg
	8

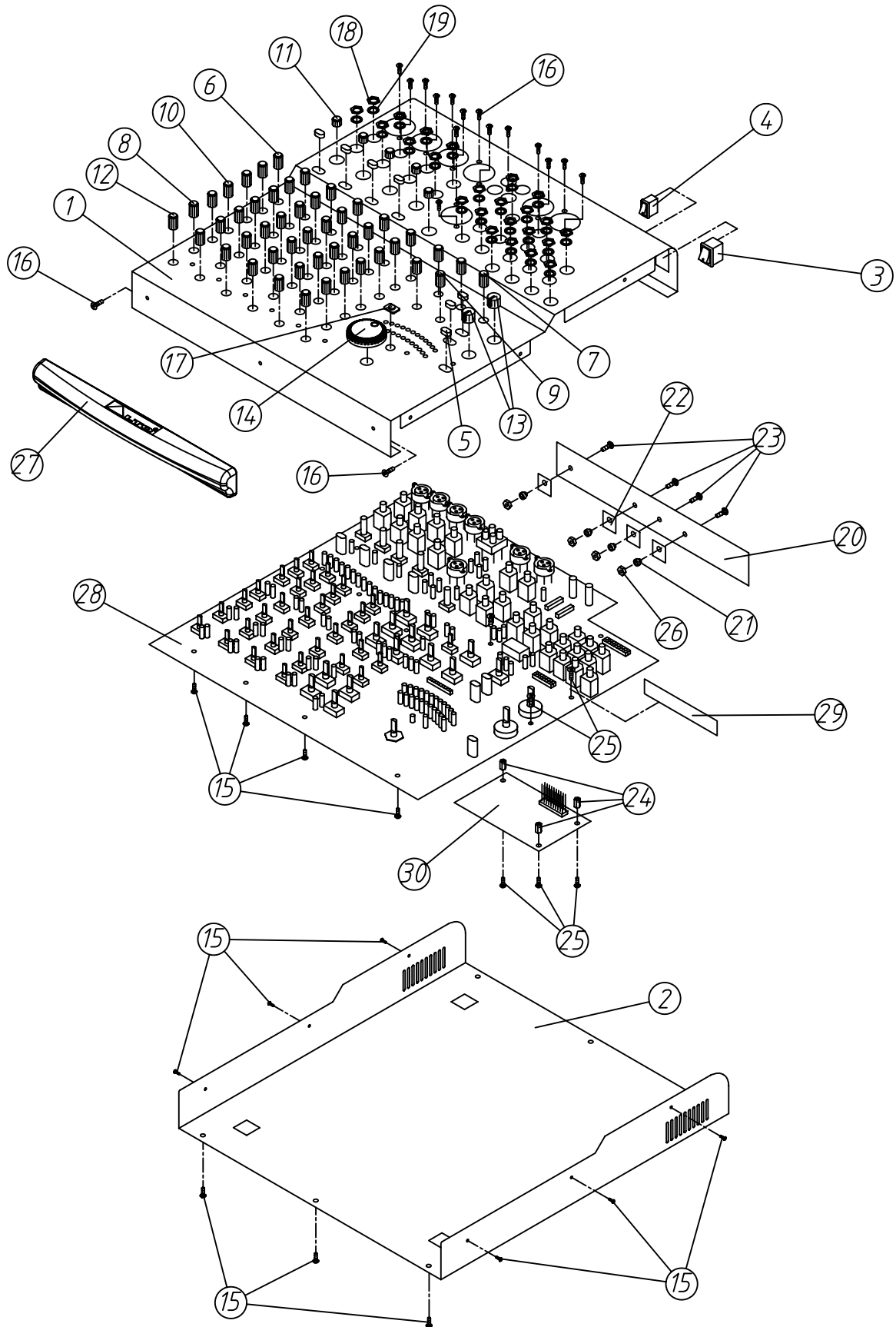
7.Electrical Parts List



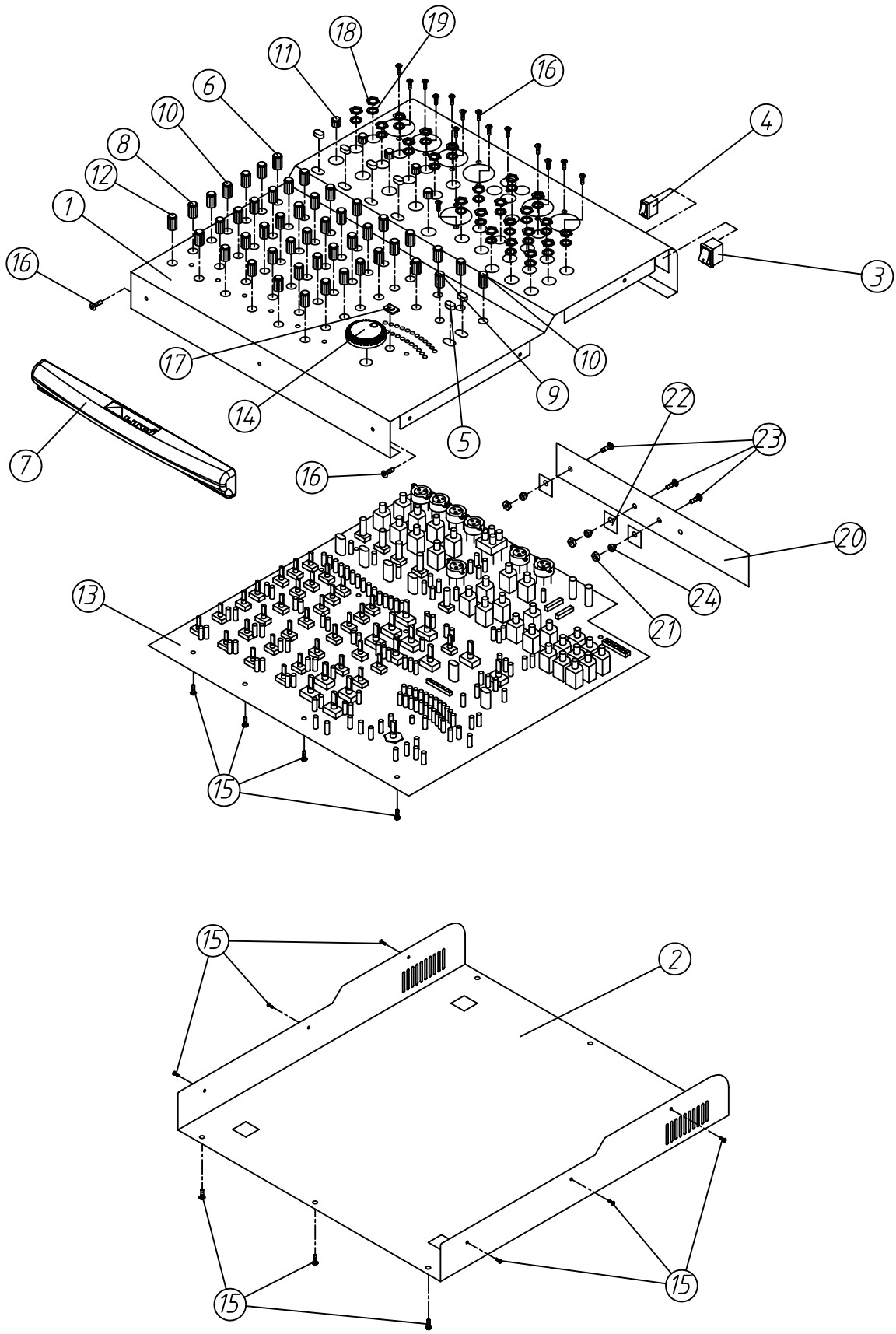
Blank lined paper template with horizontal lines.

A series of horizontal lines for writing, consisting of a top margin, a main body, and a bottom margin. The top margin is the widest, followed by a narrow margin, and then a large central body with ten evenly spaced lines. There are also narrow margins at the bottom.

SEKAKU



Machine type:AMX-140FX
Serial number:AMX140FX-00
Date:2004/01/06



Machine type:AMX-140
Serial number:AMX140-00
Date:2004/01/06

Mechanical Parts List				
Model No.		ALTO AMX-140FX		
NO	Item No	Item Description		pcs
1	MA04539	panel	AMX-140FX ALTO	1
2	MB03078	rear board	AMX-140	1
3	HI00026	power switch	RA12KKATOF 2P	1
4	HI00171	power switch	R612KKATOF1	1
5	NI01863	key	φ5.5*W10*7.5	7
6	NI02083	knob	φ10.5*18mm	18
7	NI02633	knob	φ10.5*18	8
8	NI02082	knob	φ10.5*18mm	6
9	NI02817	knob	φ10.5*18mm	2
10	NI02081	knob	φ10.5*18mm	7
11	NI02714	knob	φ10*13.5mm	5
12	NI00826	knob	φ12*18mm double color	6
13	NI02386	konb	φ14*13mm	2
14	NI02837	knob	φ35*11mm 534C	1
15	MG00041	screw	M3*6	24
16	MG00061	screw	M3*10	18
17	NI02836	LED lens	10*7*3mm AMX-140	1
18	ME00060	nut	JY-6351G-02-250	24
19	MF00061	washer	JY-6351G-02-250	24
20	MI01905	heat sink	AMX-140 2.0t*195.5*29*2mm	1
21	NI02249	insulate bean	TW-1(TO-220)	4
22	NC00005	silicone insulator	TO-220 square type	4
23	MG00162	screw	M3*8	4
24	MG00238	copper pillar	M3*6*0.5PH	3
25	MG00036	screw	M3*4	6
26	ME00015	nut	3m/m	4
27	NI02835	handle	269*33*26mm AMX-140 black	1
28	HK00821	PC board	P-AMX-140FX-DIP	1
29	HK00832	PC board	P-FX-DSP-DIP	1
30	HK01409	PC board	P-313123-DIP(AMX-140FX)	1
31				
32				
33				
34				
35				
36				
37				
38				
39				
40				

Mechanical Parts List				
Model No.		ALTO AMX-140		
NO	Item No	Item Description		pcs
1	MA04539	panel	AMX-140FX ALTO	1
2	MB03078	rear board	AMX-140	1
3	HI00026	power switch	RA12KKATOF 2P	1
4	HI00171	power switch	R612KKATOF1	1
5	NI01863	key	φ5.5*W10*7.5	7
6	NI02083	knob	φ10.5*18mm	18
7	NI02835	handle	269*33*26mm AMX-140 black	1
8	NI02082	knob	φ10.5*18mm	6
9	NI02817	knob	φ10.5*18mm	2
10	NI02081	knob	φ10.5*18mm	15
11	NI02714	knob	φ10*13.5mm	5
12	NI00826	knob	φ12*18mm double color	6
13	HK00821	PC board	P-AMX-140FX-DIP	1
14	NI02837	knob	φ35*11mm 534C	1
15	MG00041	screw	M3*6	24
16	MG00061	screw	M3*10	18
17	NI02836	LED lens	10*7*3mm AMX-140	1
18	ME00060	nut	JY-6351G-02-250	23
19	MF00061	washer	JY-6351G-02-250	23
20	MI01905	heat sink	AMX-140 2.0t*195.5*29*2mm	1
21	ME00015	nut	3m/m	3
22	NC00005	silicone insulator	TO-220 square type	3
23	MG00162	screw	M3*8	3
24				
25				
26				
27				
28				
29				
30				
31				
32				
33				
34				
35				
36				
37				
38				
39				
40				