

# **Service Manual**

**Model: AMX-180/AMX-180FX**



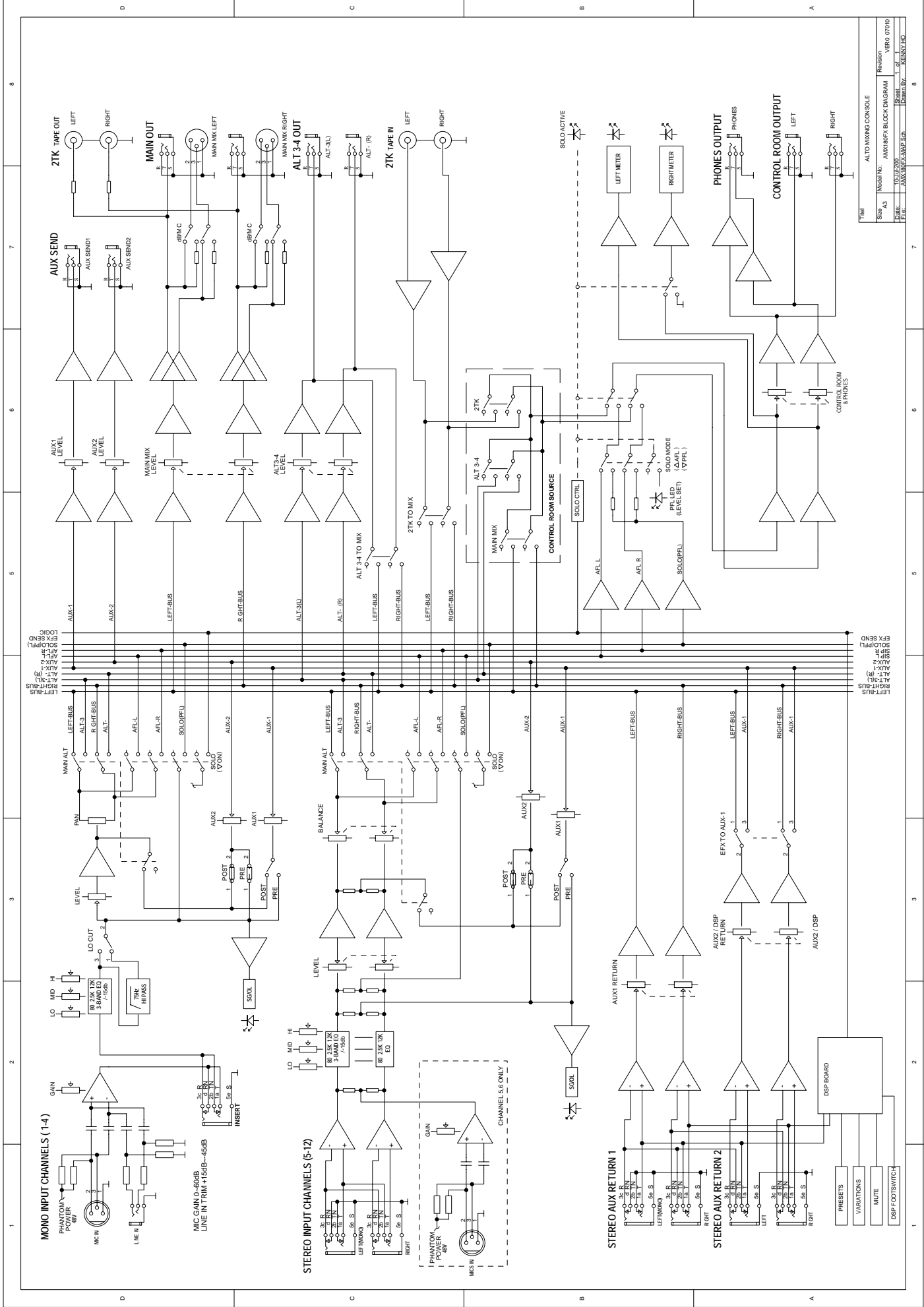
[www.altoproaudio.com](http://www.altoproaudio.com)

Version: .2

# **CONTENTS**

- 1. Specification**
- 2. Block Diagram**
- 3. Schematic Diagram**
- 4. Printed Circuit Board**
- 5. Wiring Diagram**
- ~~**6. Test Procedure**~~
- 7. Electrical Parts List**
- 8. Exploded Views & Mechanical Parts List**
- 9. Notes**

<b>Mono input channels</b>	Microphone input	Electronically balanced ,discrete input configuration
	Frequency response	10Hz to 55KHz,±3dB
	Distortion (THD&N)	0.005% at +4dBu, 1KHz
	Gain range	0dB to 44dB(MIC)
	SNR (Signal Noise Rated)	115dB
	Line input	Electronically balanced
	Frequency response	10Hz to 55KHz,±3dB
	Distortion (THD&N)	0.005% at +4dBu, 1KHz
	Sensitivity range	+15dBu to -30dBu
<b>Stereo input channels</b>	Line input	unbalanced
	Frequency response	10Hz to 55KHz,±3dB
	Distortion (THD&N)	0.005% at +4dBu, 1KHz
<b>Impedance</b>	Microphone input	1.4K ohm
	Channel insert return	2.5K ohm
	All other inputs	10Kohm or greater
	Tape out	1K ohm
	All other output	120 ohm
<b>Equalization</b>	Hi shelving	
	Mid bell	±12dB @2.5KHz
	Low shelving	
<b>DSP Section(For AMX-140FX Model)</b>	A/D and D/A converters	24bit
	DSP resolution	24bit
	Type of effects	Hall,Room,Vocal & Plate REVERBS
		Mono & Stereo DELAY(max DELAY TIME 650ms)
		Chorus,Flanger & Reverb MODULATIONS
		REVERB+DELAY,REVERB+CHORUS, REVERB+FLANGER combinations
	Presets	256
	Controls	16-position PRESET Selector
		16-position VARIATION Selector
PEAK LED		
MUTE SWITCH with LED indicator		
<b>Main Mix Section</b>	Noise (Bus noise )	Fader 0 dB, channels muted:-100.0dBr (ref.:+4dBu)
		Fader 0 dB,all input channels assigned and set to UNITY gain:-90dBr(ref.:+4dBu)
	Max output	+22dBu balanced XLR,
		+22dBu unbalanced,1/4"jacks
	AUX Return gain range	OFF to +15dB
AUX Sends max out	+22dBu	
<b>Power supply (AC/AC Adaptor)</b>	Main voltage	USA/ Canada 100-120V~,60Hz
		Europe 210-230V~,50Hz/60Hz
		U.K/Australia 240V~,50Hz
	Power Consumption	25watts
<b>Physical</b>	Dimension (W*D*H)	409mm X 330mm X 43mm
		(16.10" X12.99" X1.69" )
	Net weight	AMX-180:3.90Kg(8.6lb) Without Adaptor
AMX-180FX:3.97Kg(8.75lb) Without Adaptor		



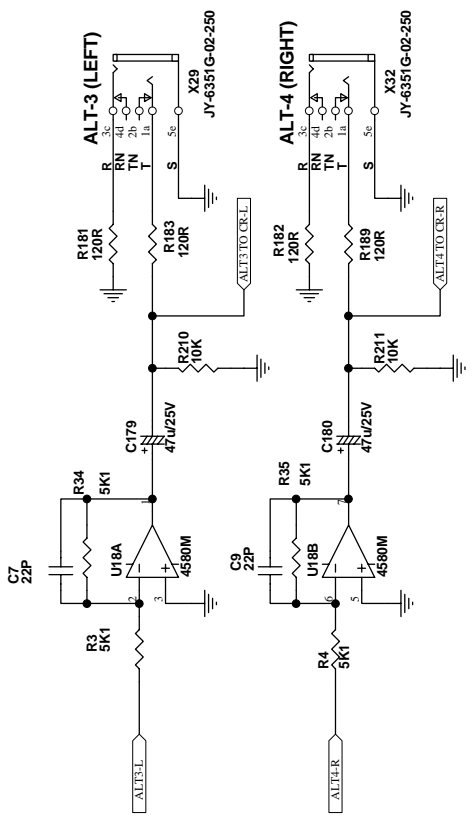
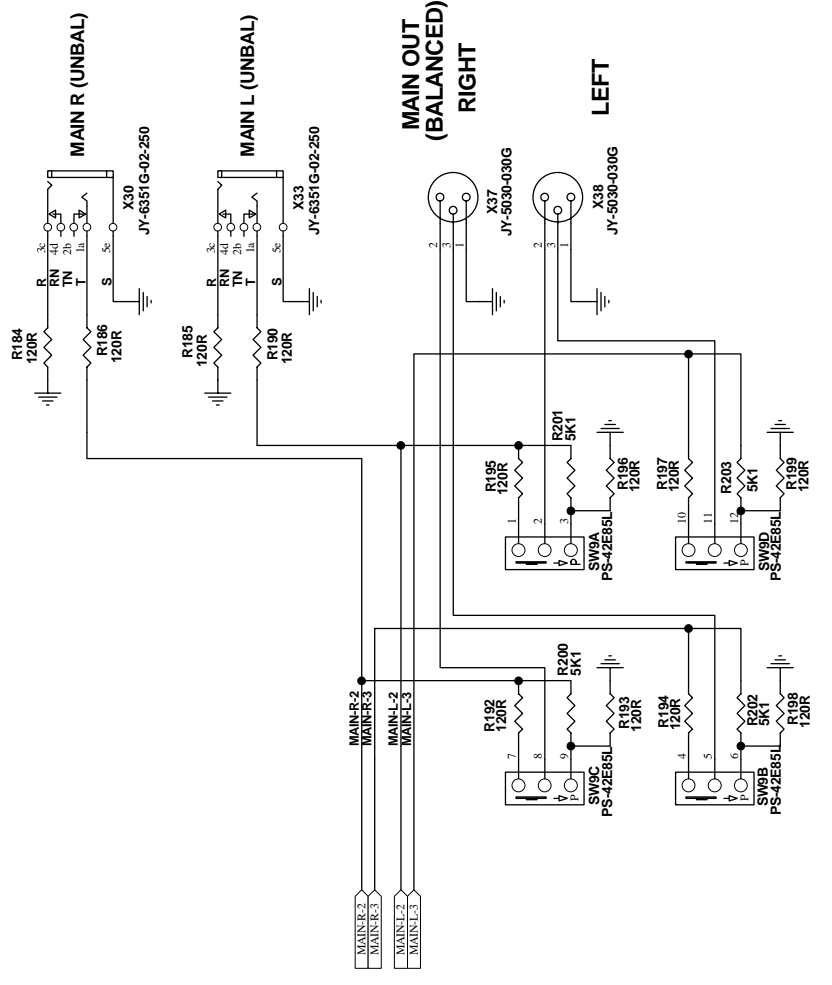
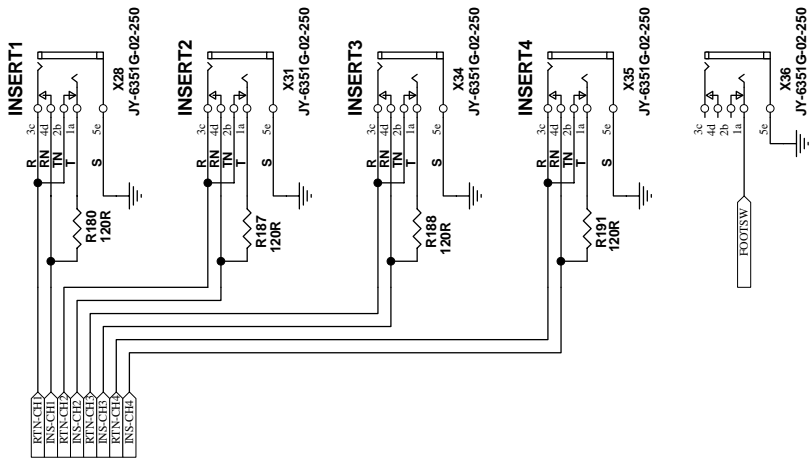
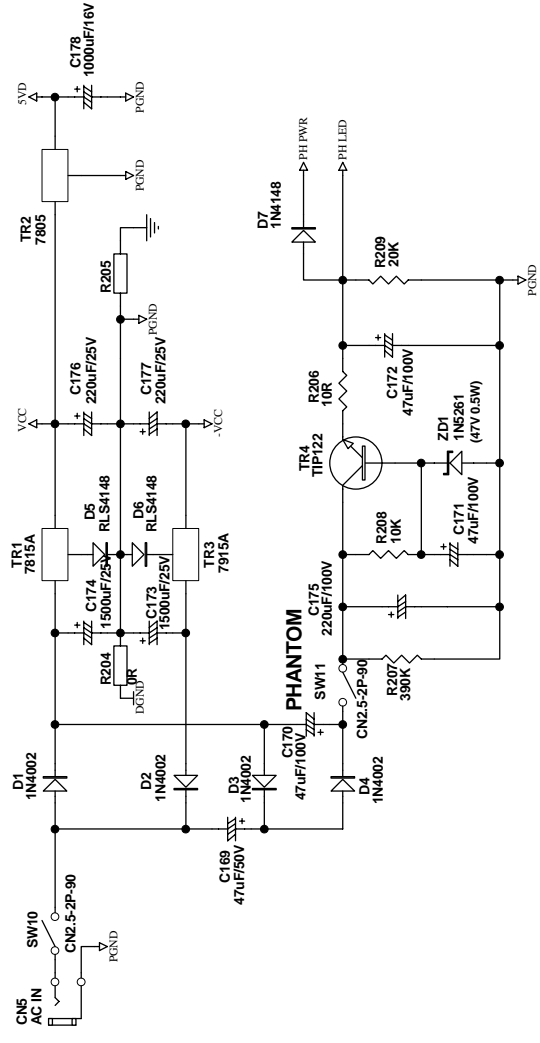
TRIM	ALTO MIXING CONSOLE	
SDP	Model No:	AMN180FX BLOCK DIAGRAM
DATE:	REVISED:	VERO 0700
DATE:	REVISED:	Sheet 1 of 1
DATE:	REVISED:	Form No. 1000

LEFT BUS  
RIGHT BUS  
AUX 1  
AUX 2  
AUX 3  
AUX 4  
AUX 5  
AUX 6  
AUX 7  
AUX 8  
AUX 9  
AUX 10  
AUX 11  
AUX 12  
AUX 13  
AUX 14  
AUX 15  
AUX 16  
AUX 17  
AUX 18  
AUX 19  
AUX 20  
AUX 21  
AUX 22  
AUX 23  
AUX 24  
AUX 25  
AUX 26  
AUX 27  
AUX 28  
AUX 29  
AUX 30  
AUX 31  
AUX 32  
AUX 33  
AUX 34  
AUX 35  
AUX 36  
AUX 37  
AUX 38  
AUX 39  
AUX 40  
AUX 41  
AUX 42  
AUX 43  
AUX 44  
AUX 45  
AUX 46  
AUX 47  
AUX 48  
AUX 49  
AUX 50  
AUX 51  
AUX 52  
AUX 53  
AUX 54  
AUX 55  
AUX 56  
AUX 57  
AUX 58  
AUX 59  
AUX 60  
AUX 61  
AUX 62  
AUX 63  
AUX 64  
AUX 65  
AUX 66  
AUX 67  
AUX 68  
AUX 69  
AUX 70  
AUX 71  
AUX 72  
AUX 73  
AUX 74  
AUX 75  
AUX 76  
AUX 77  
AUX 78  
AUX 79  
AUX 80  
AUX 81  
AUX 82  
AUX 83  
AUX 84  
AUX 85  
AUX 86  
AUX 87  
AUX 88  
AUX 89  
AUX 90  
AUX 91  
AUX 92  
AUX 93  
AUX 94  
AUX 95  
AUX 96  
AUX 97  
AUX 98  
AUX 99  
AUX 100

1  
2  
3  
4  
5  
6  
7  
8

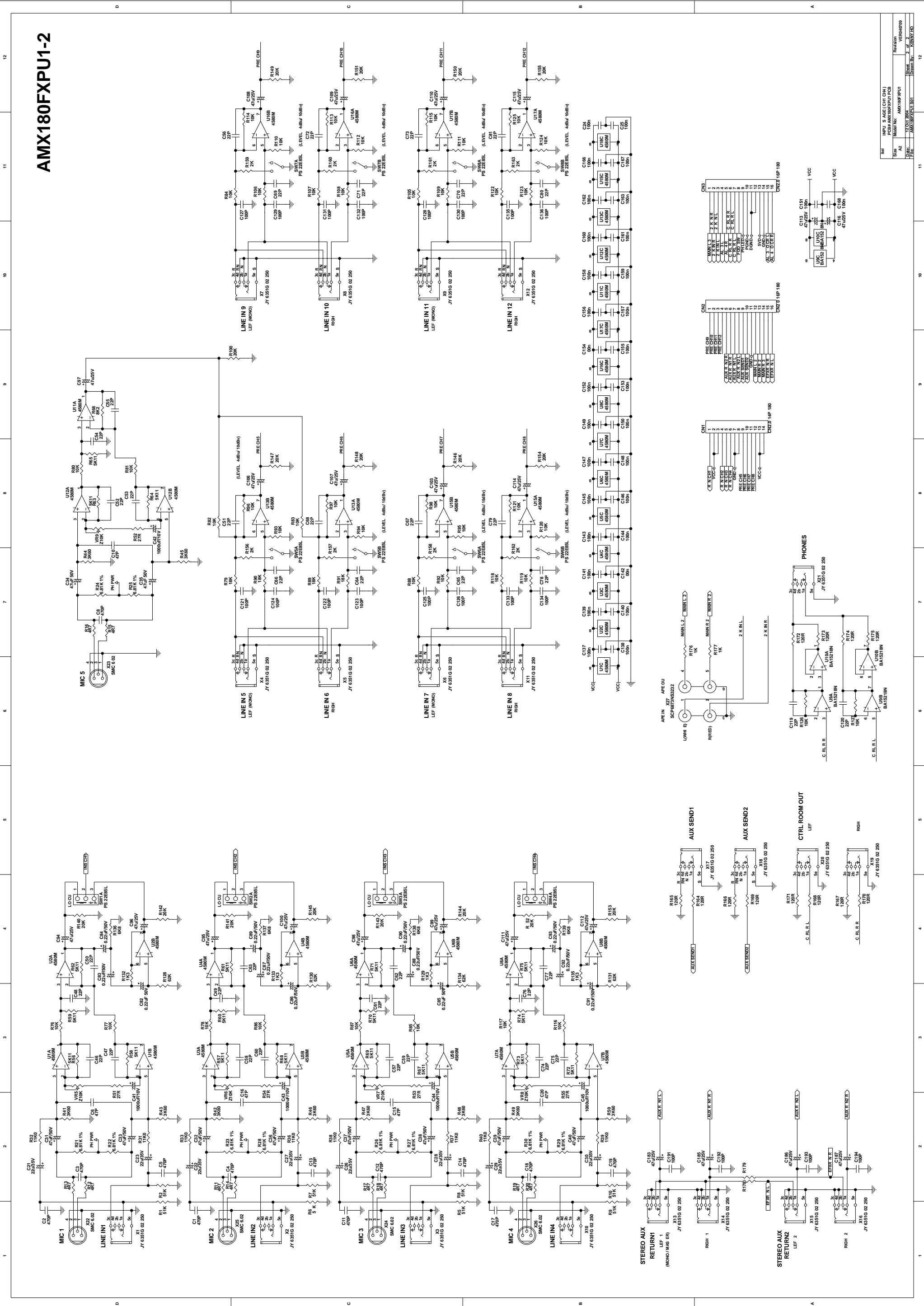
# AMX180FXPU1-1

## PHANTOM PWR



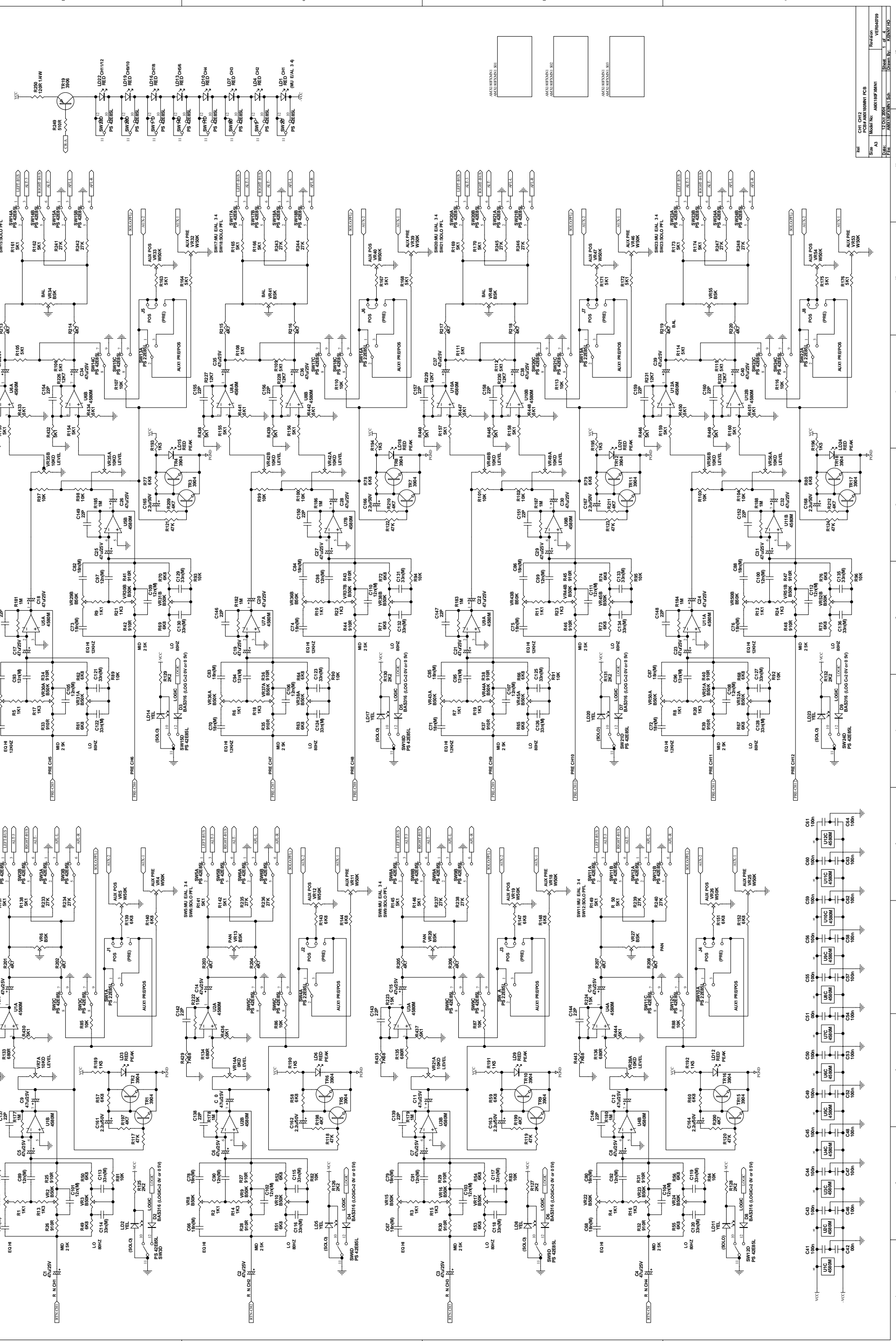
Title		OUTPUT STAGE (INSERT & MAIN OUTPUT)	
PCB#		AMX180FXPU1.PCB	
Size	A3	Model No.	AMX180FXPU1
Revision	VER040709	Sheet	1 of 2
Date:	12-05-2004	Drawn By:	KENNY HO.
File:	AMX180FXPU1.Sch		

# AMX180FXPU1-2



Rev	Model No.	PCB No.	Revision
1	AMX180FXPU1	AMX180FXPU1	1
2	AMX180FXPU1	AMX180FXPU1	2
3	AMX180FXPU1	AMX180FXPU1	3
4	AMX180FXPU1	AMX180FXPU1	4
5	AMX180FXPU1	AMX180FXPU1	5
6	AMX180FXPU1	AMX180FXPU1	6
7	AMX180FXPU1	AMX180FXPU1	7
8	AMX180FXPU1	AMX180FXPU1	8
9	AMX180FXPU1	AMX180FXPU1	9
10	AMX180FXPU1	AMX180FXPU1	10
11	AMX180FXPU1	AMX180FXPU1	11
12	AMX180FXPU1	AMX180FXPU1	12

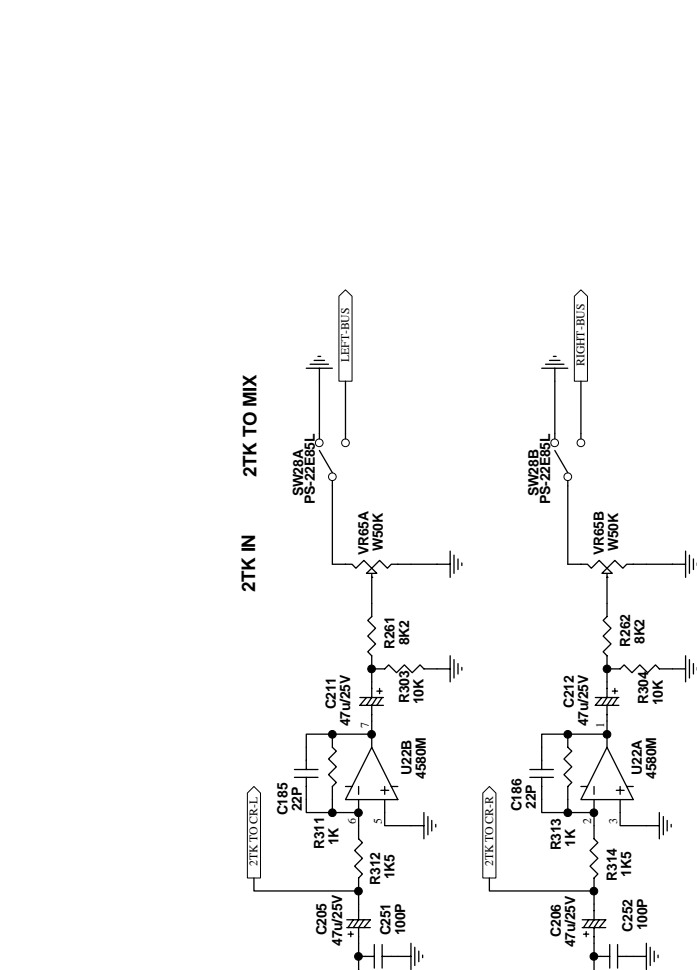
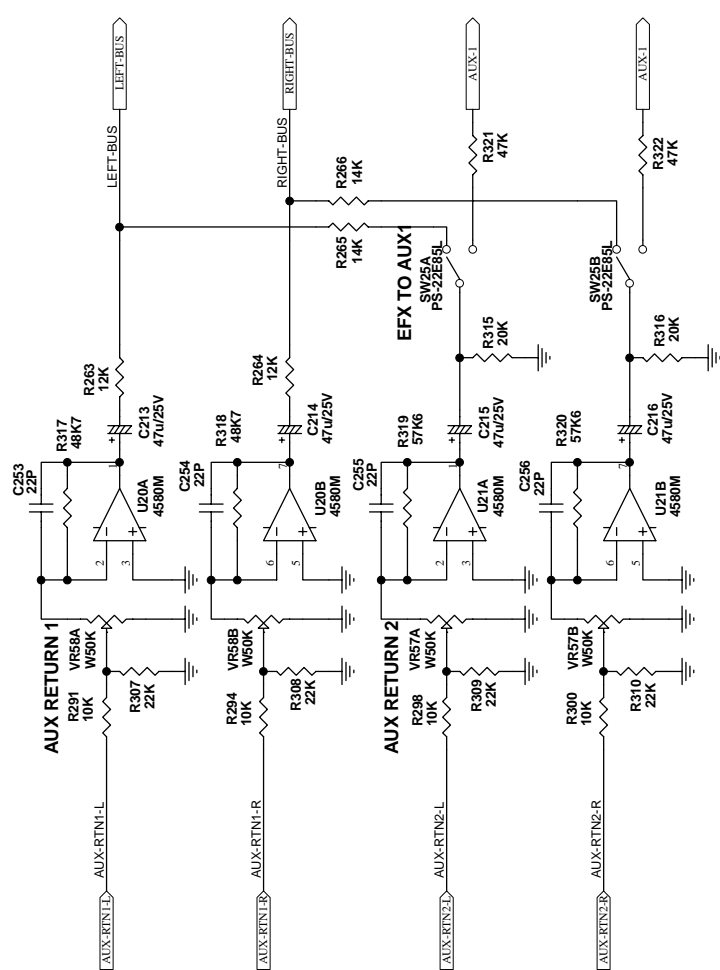
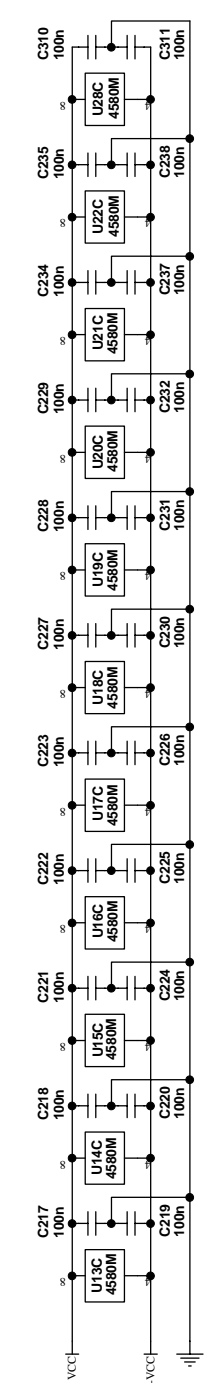
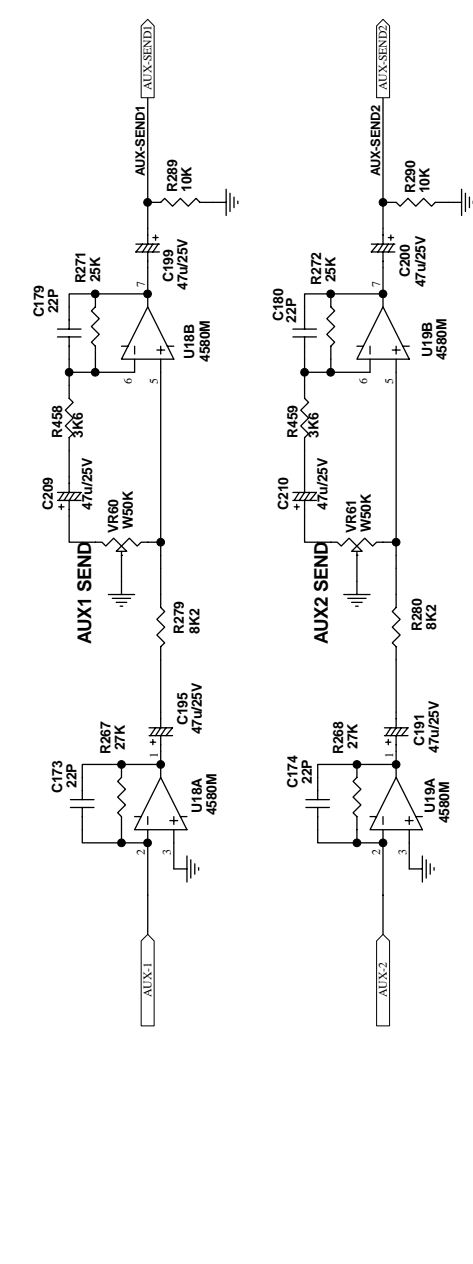
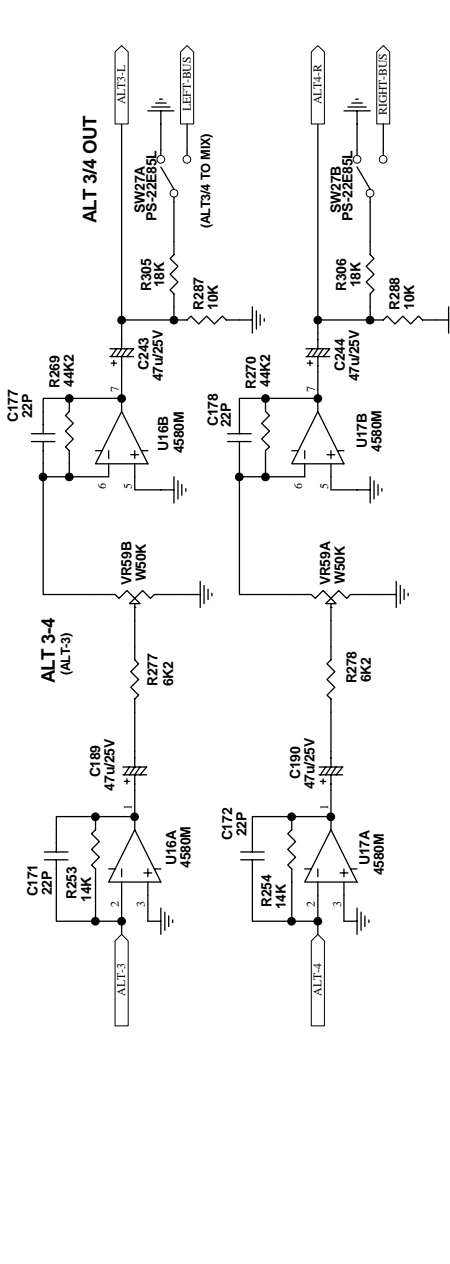
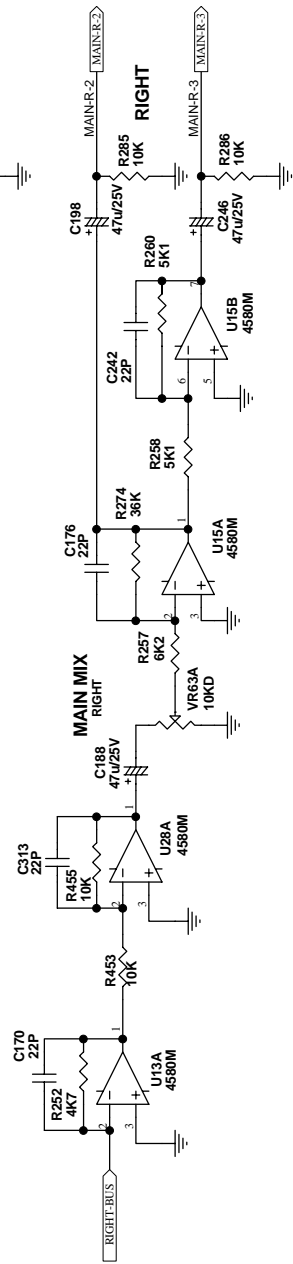
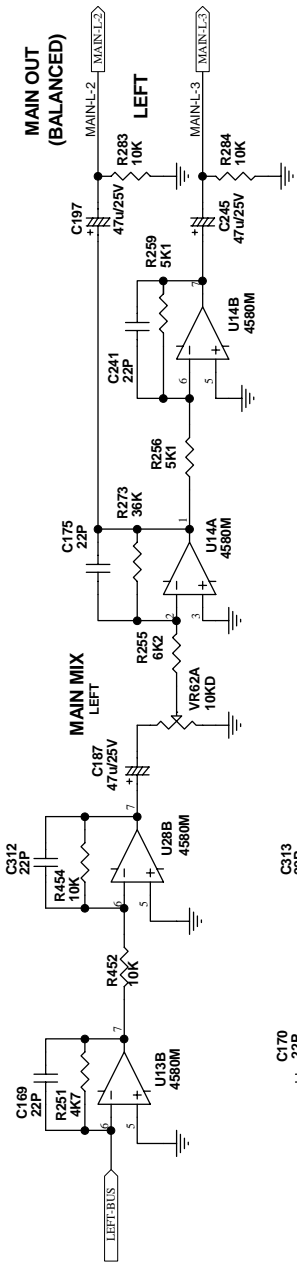
# AMX180FXMN1-1



Rev	CH1 CH2	PCB AMX180MN1 PCB	Revision
1	A	AMX180MN1	1
2	A	AMX180MN1	2
3	A	AMX180MN1	3
4	A	AMX180MN1	4
5	A	AMX180MN1	5
6	A	AMX180MN1	6
7	A	AMX180MN1	7
8	A	AMX180MN1	8
9	A	AMX180MN1	9
10	A	AMX180MN1	10
11	A	AMX180MN1	11
12	A	AMX180MN1	12

Rev	CH1 CH2	PCB AMX180MN1 PCB	Revision
1	A	AMX180MN1	1
2	A	AMX180MN1	2
3	A	AMX180MN1	3
4	A	AMX180MN1	4
5	A	AMX180MN1	5
6	A	AMX180MN1	6
7	A	AMX180MN1	7
8	A	AMX180MN1	8
9	A	AMX180MN1	9
10	A	AMX180MN1	10
11	A	AMX180MN1	11
12	A	AMX180MN1	12

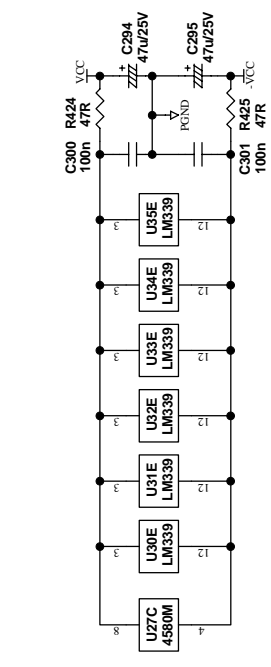
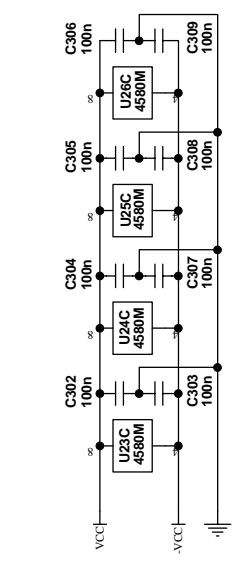
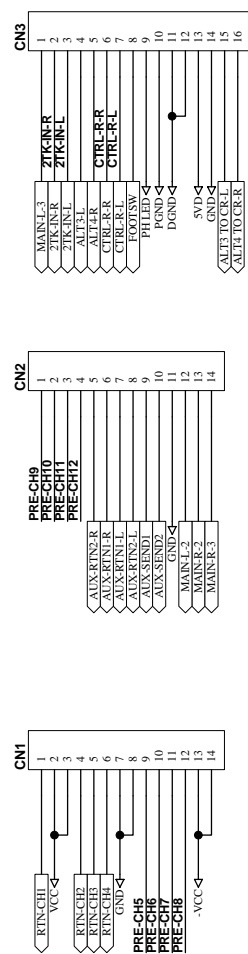
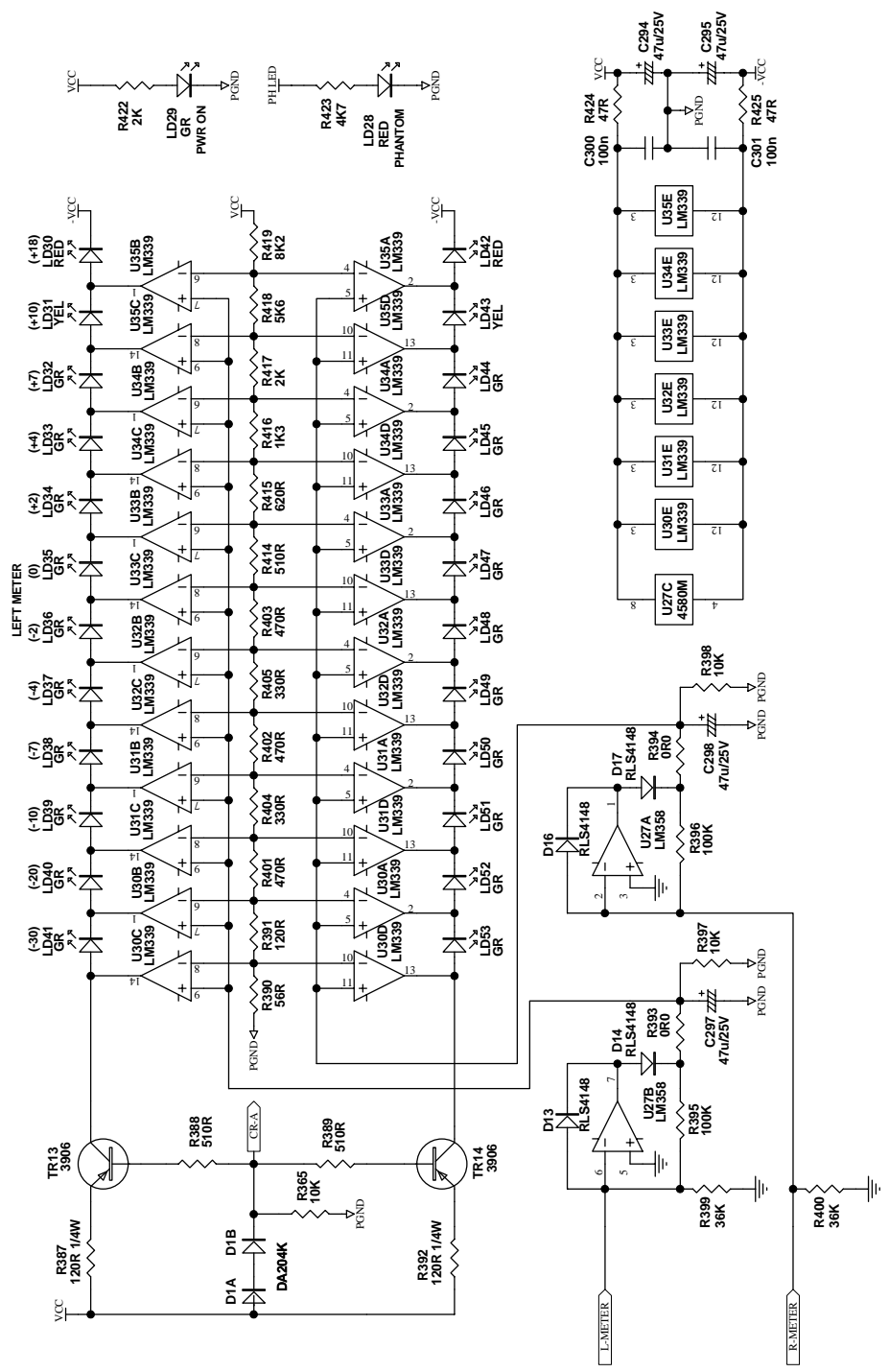
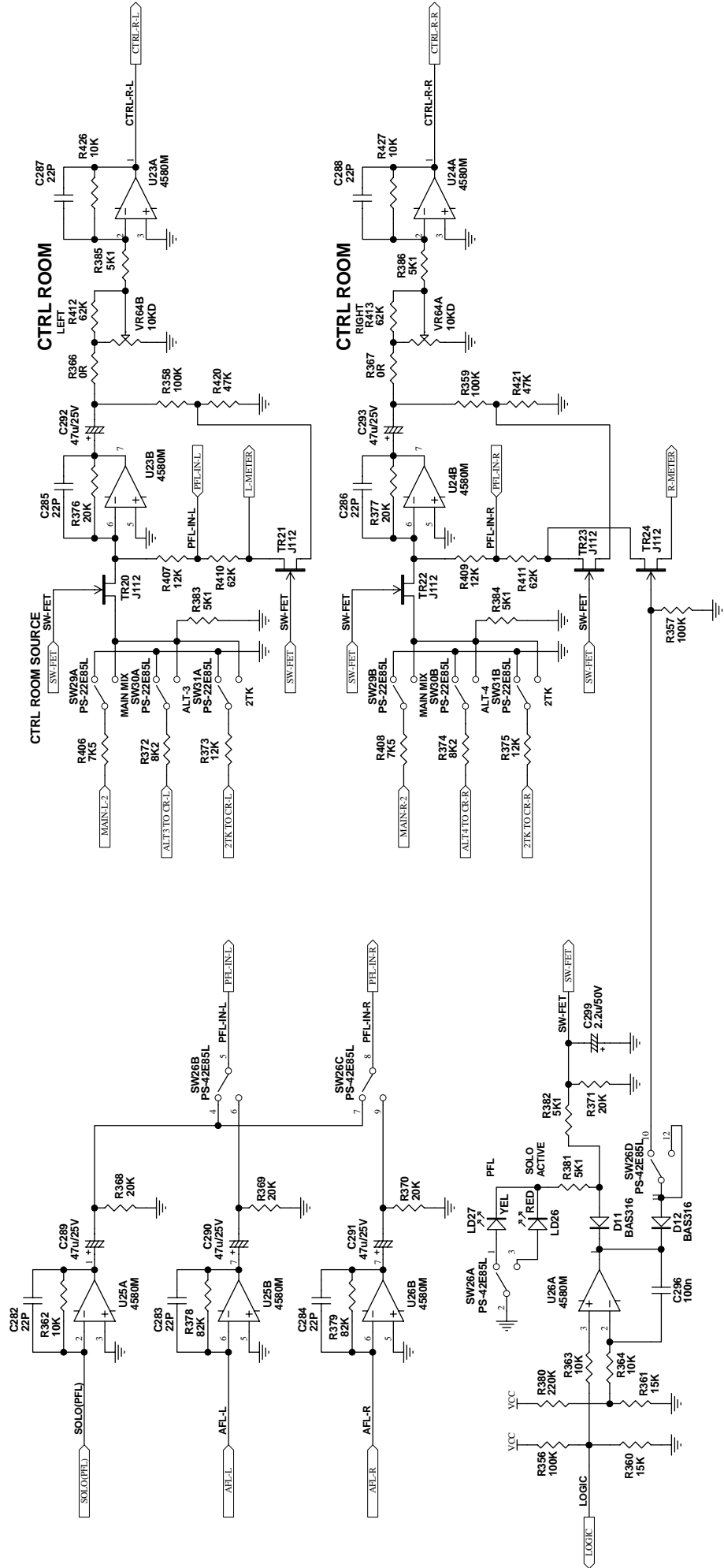
# AMX180FXMN1-2



Title	MAIN DISPLAY STAGE
PCB#	AMX180FXMN1.PCB
Model No.	AMX180FXMN1
Revision	VER040709
Size	A3
Date:	12-05-2004
Drawn By:	KENNY HO.

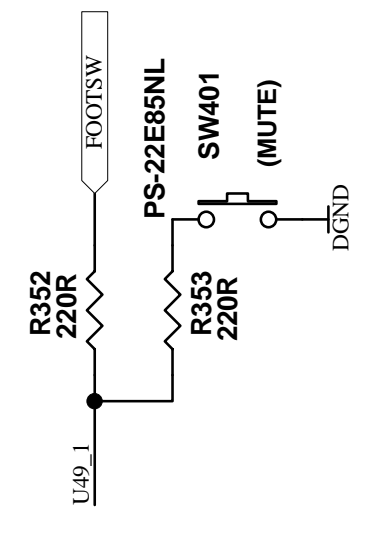
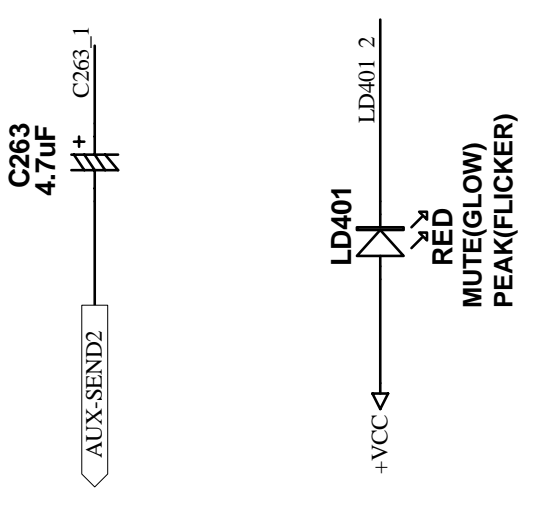
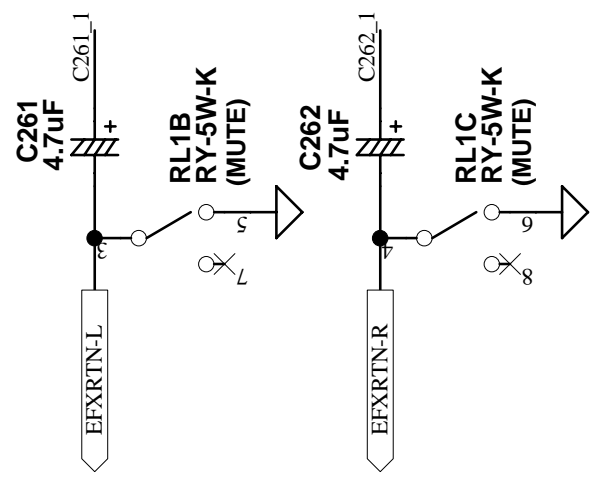
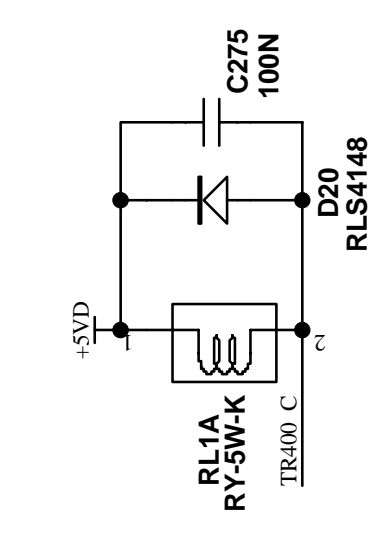
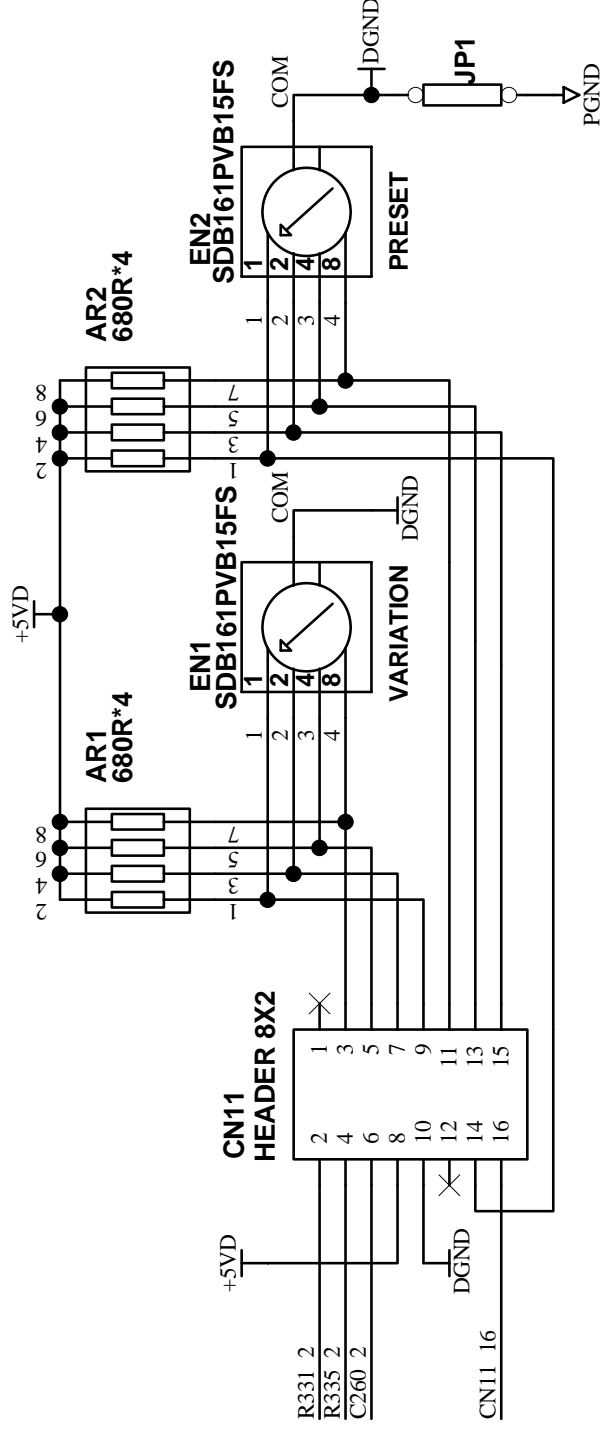


# AMX180FXMN1-3



Title		CONTROL ROOM STAGE	
Size	A2(C)	Model No.	AMX180FXMN1
Date:	12-05-2004	Revision	VER040709
File:	AMX180FXMN1.S102	Sheet	3 of 4
		Drawn By:	KENNY HO.

# AMX180FXMN1-4



Titel		UDASP IN/OUT SECTION	
Size	A2(C)	Model No:	AMX180FXMN1
Date:	12-Oct-2004	Revision	VER040709
File:	AMX180FXMN1.S03	Sheet	4 of 4
		Drawn By:	KENNY HO.

1

2

3

4

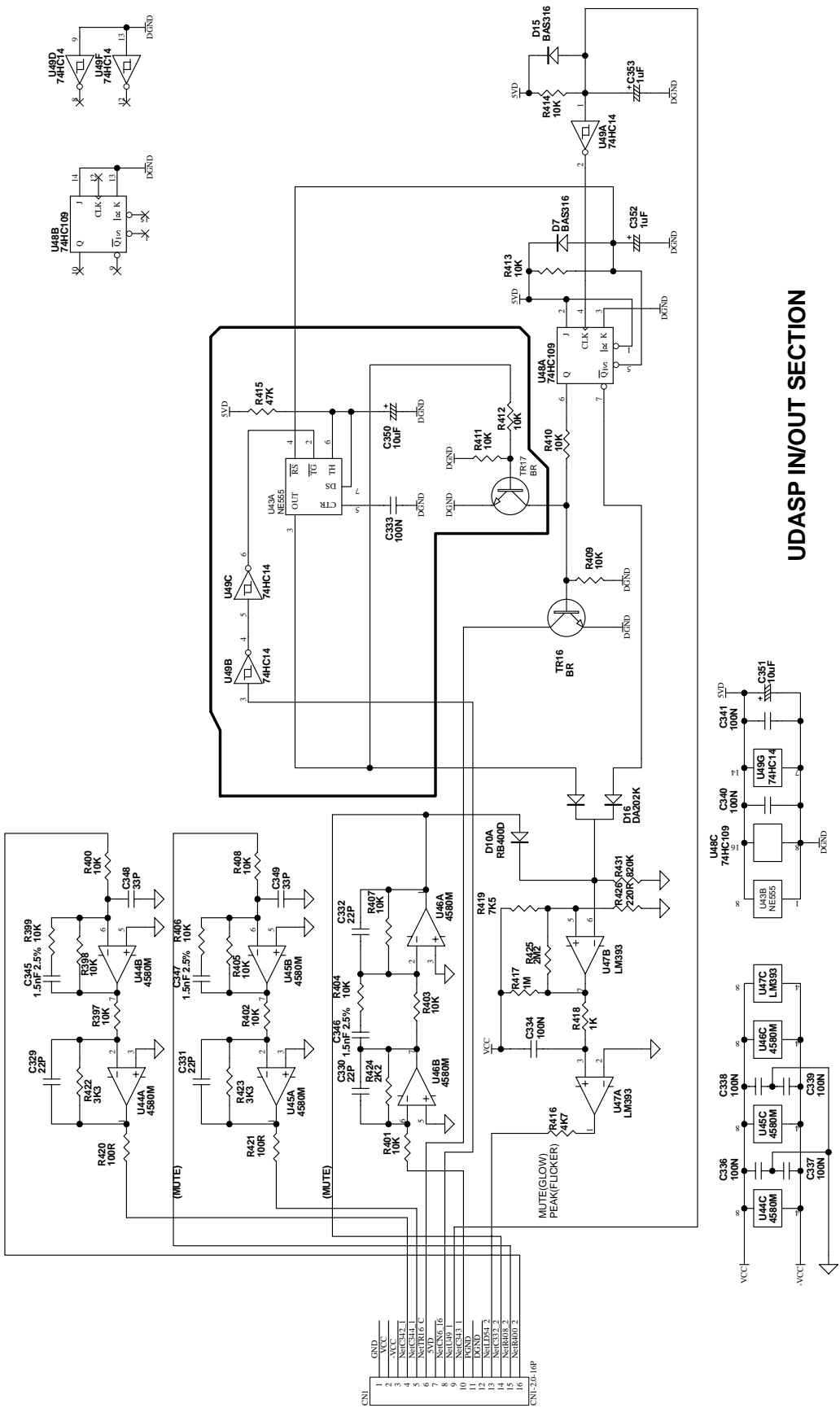
1

2

3

4

# FX-DSP



## UDASP IN/OUT SECTION

Title		FX-DSP	
Size	Model No	FX-DSP	Revision
A2(C)			VER.04/05/07
Dwg. No.	20-C012/004		1 of 1
File	FX-DSP-NEW Sch.	Drawn By	KENNY HO

1 2 3 4 5 6 7 8

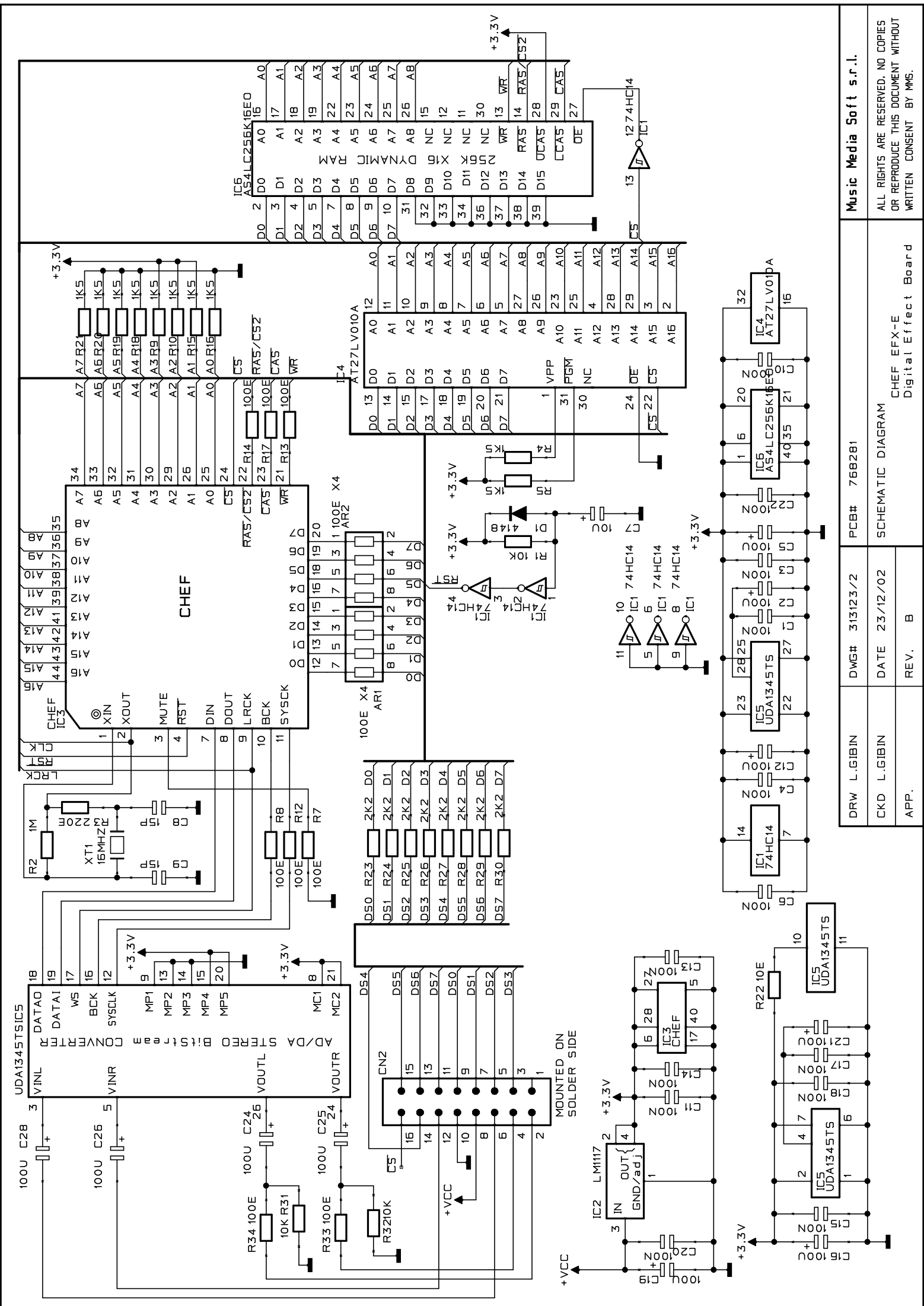
D C B A

D C B A

1 2 3 4 5 6 7 8

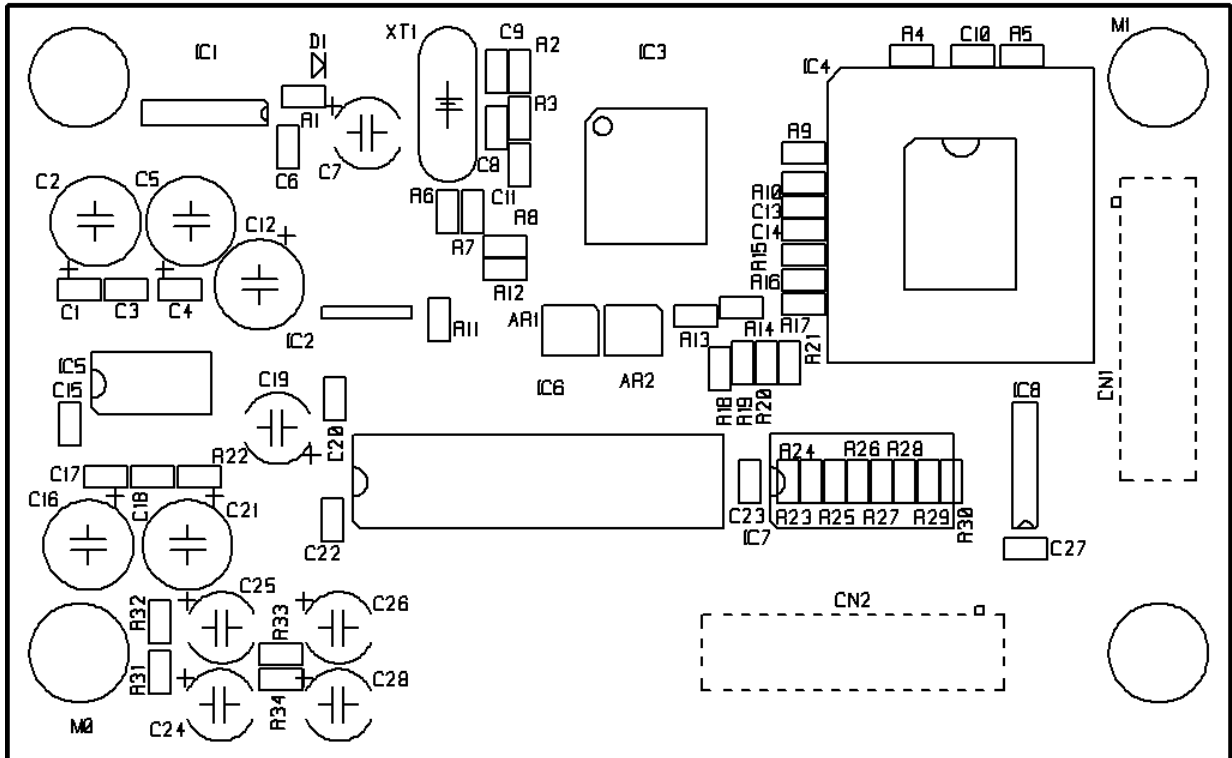
D C B A

- 1 GND
  - 2 VCC
  - 3 NC
  - 4 NC
  - 5 NC
  - 6 NC
  - 7 SVD
  - 8 NC
  - 9 NC
  - 10 NC
  - 11 NC
  - 12 NC
  - 13 NC
  - 14 NC
  - 15 NC
  - 16 NC
- CNI:236:10P



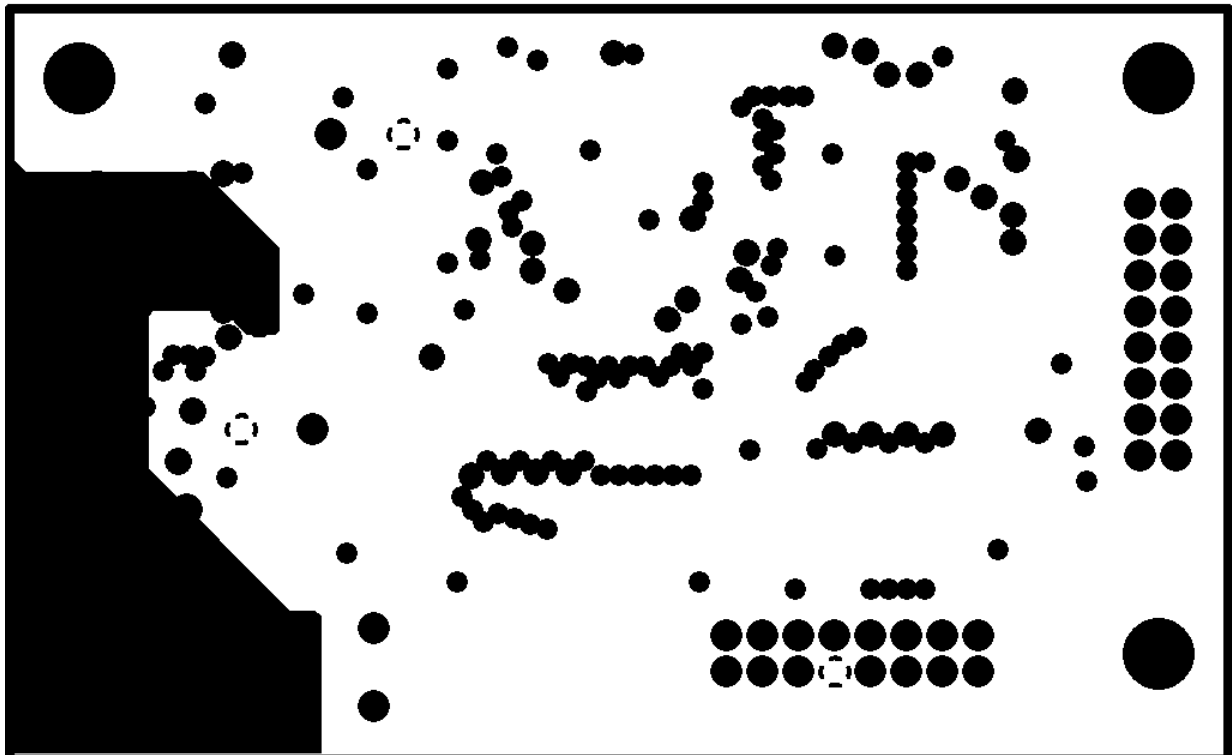
DRW L.GIBIN	DWG# 313123/2	PCB# 768281	<b>Music Media Soft s.r.l.</b>
CKD L.GIBIN	DATE 23/12/02	REV. B	ALL RIGHTS ARE RESERVED, NO COPIES OR REPRODUCE THIS DOCUMENT WITHOUT WRITTEN CONSENT BY MMS.
APP.			CHEF EF-E Digital Effect Board

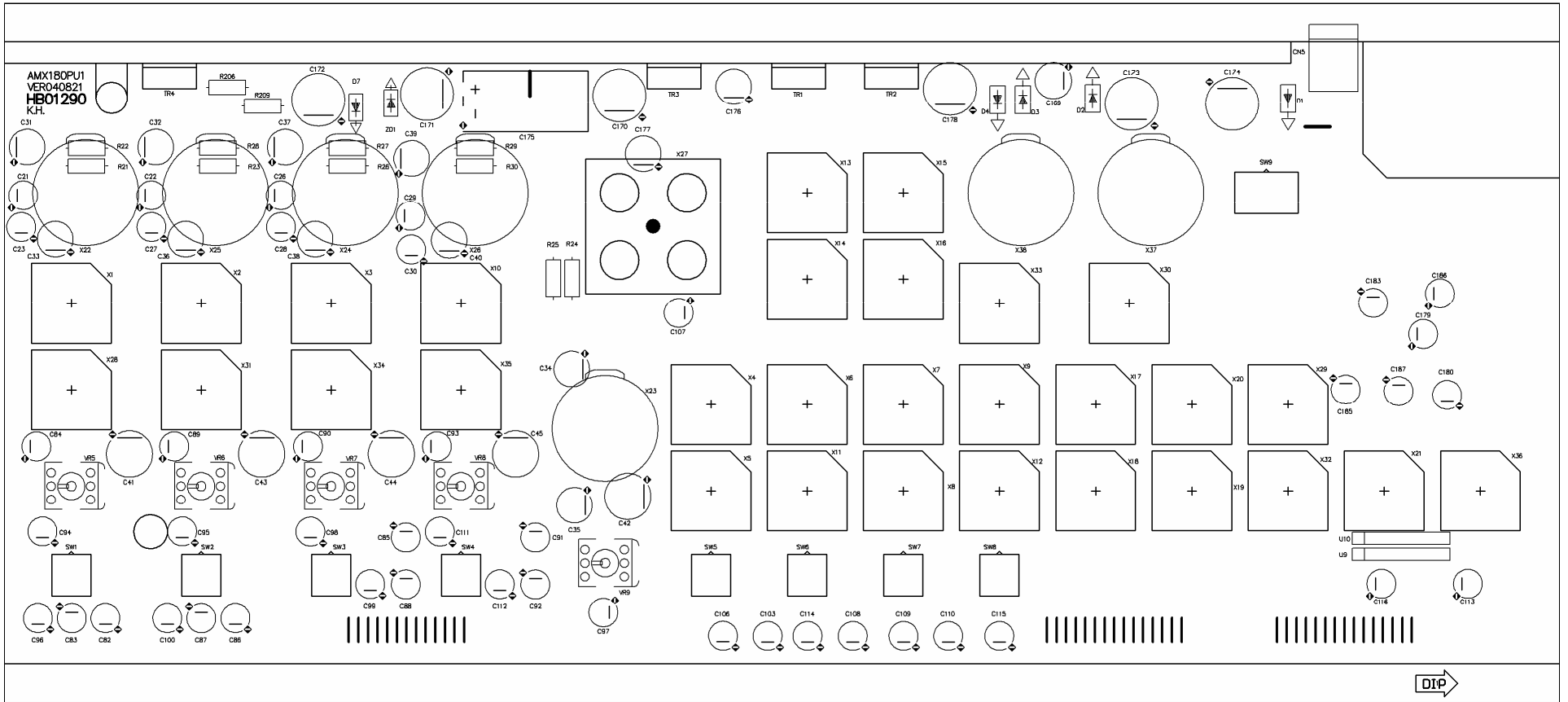
313123/2 TOP SILK



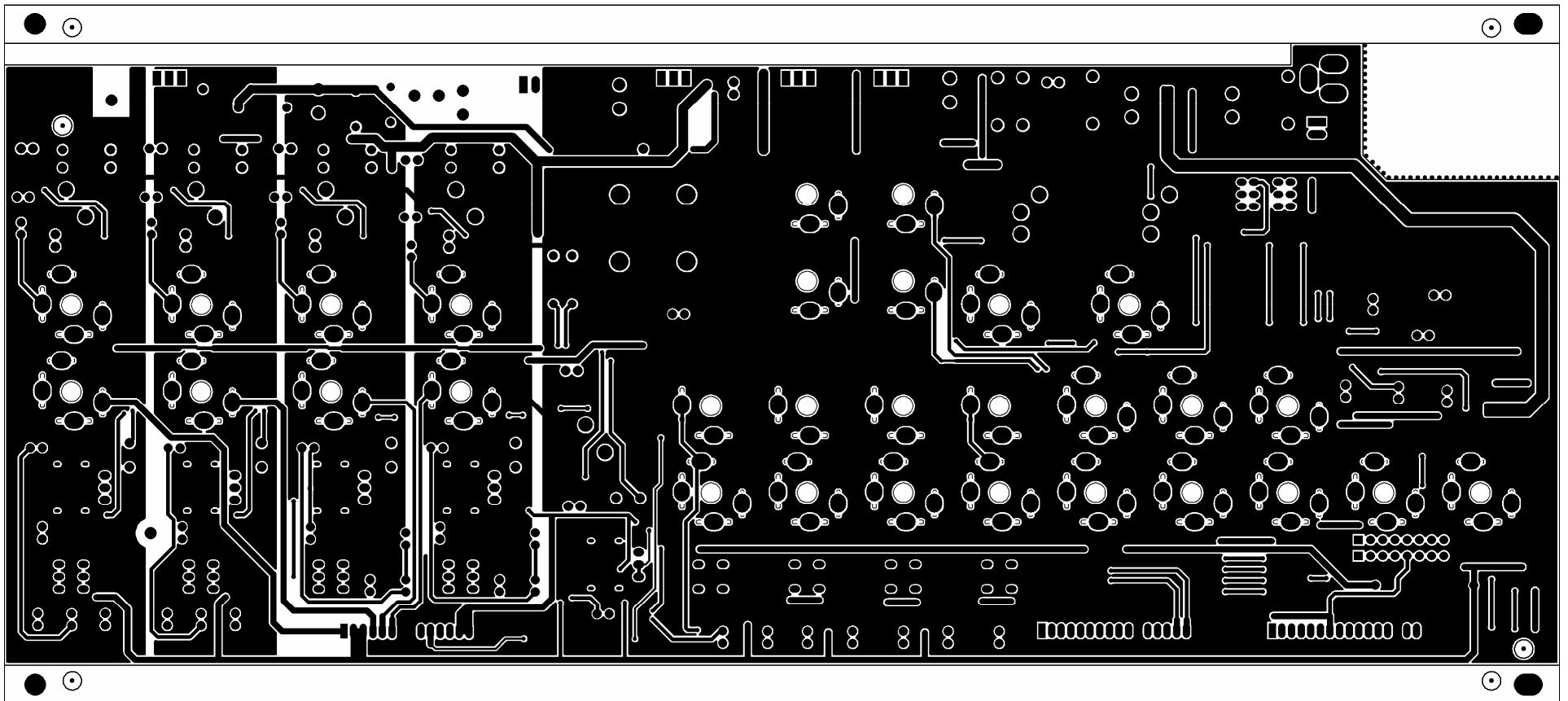
PCB : 313123/2 Top Overlay

313123/2 I\* INTERNAL LAYER GND

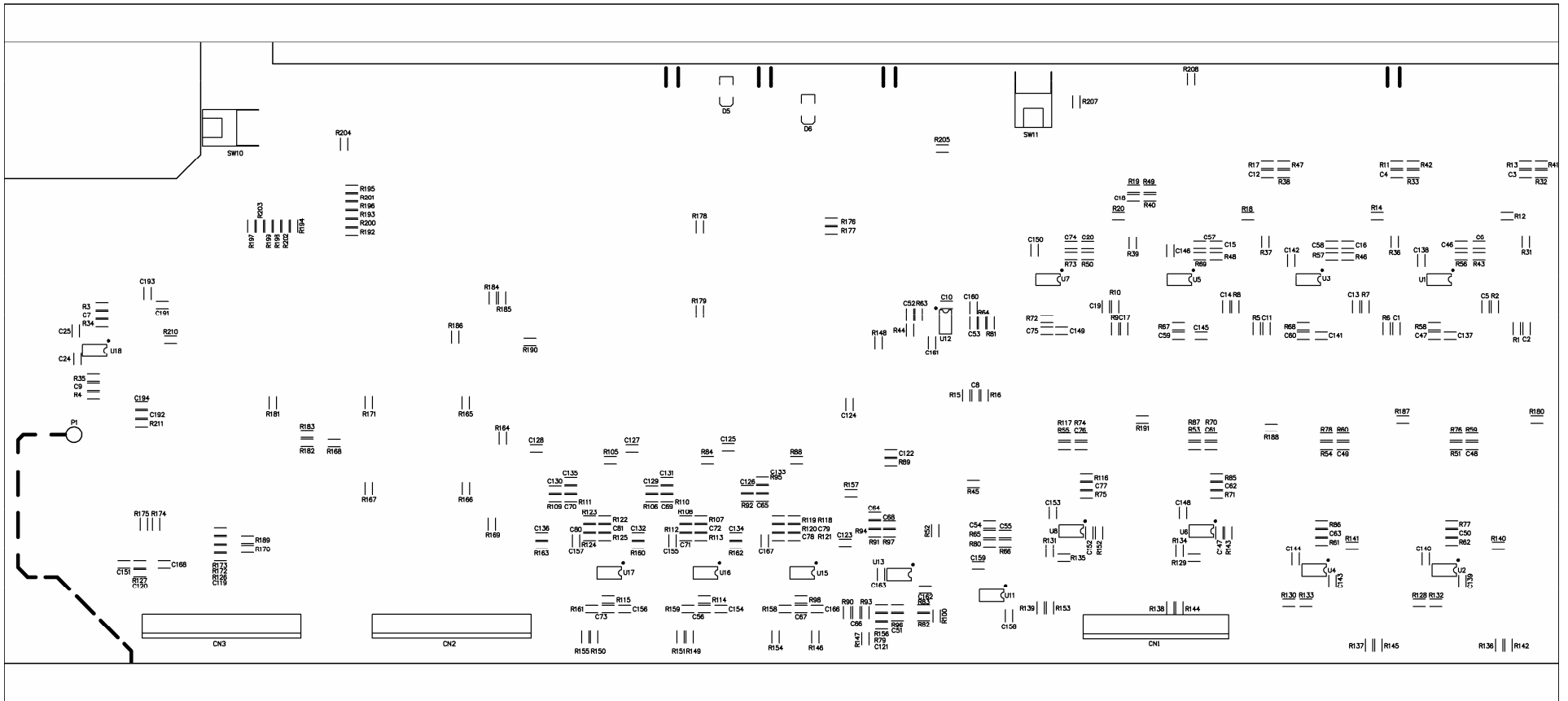




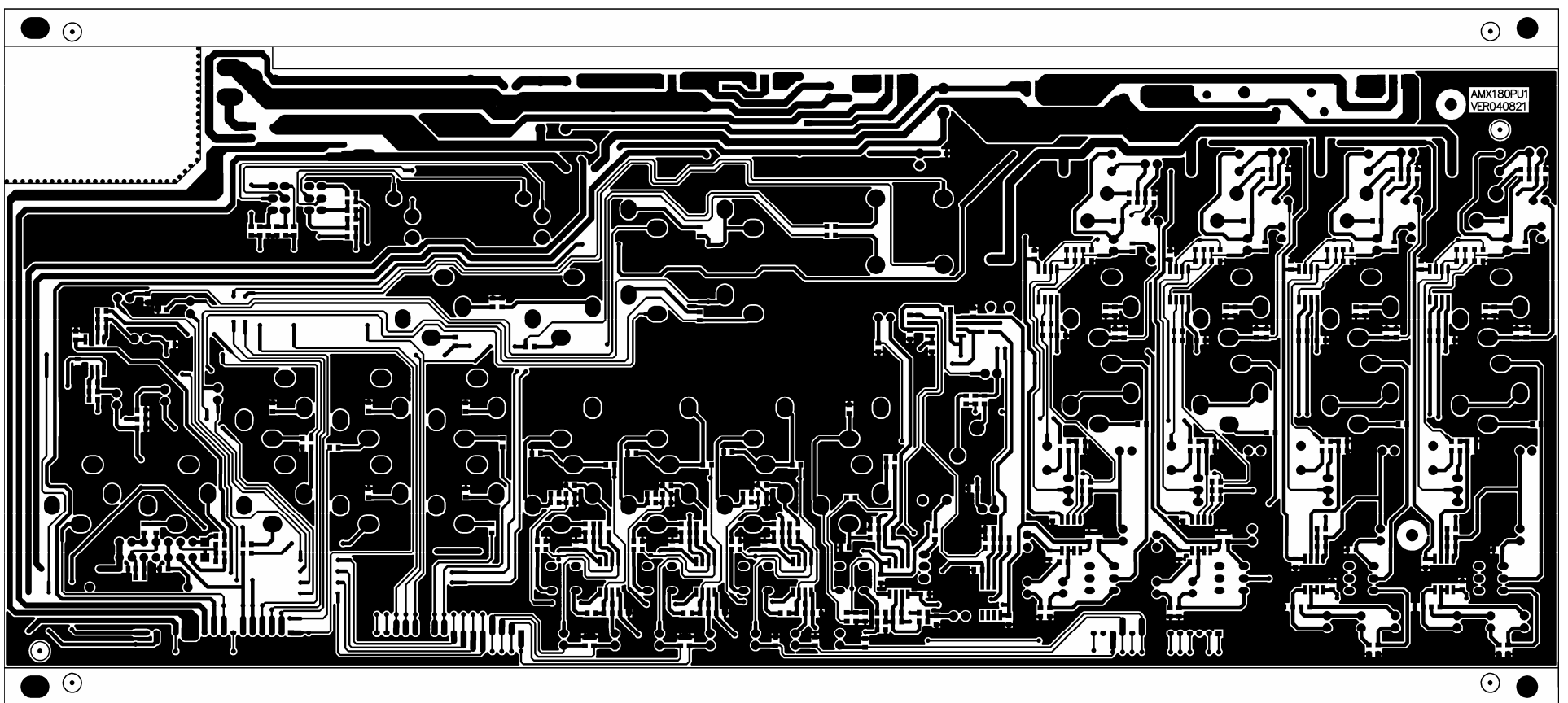
PCB : AMX180PU1 Top Overlay



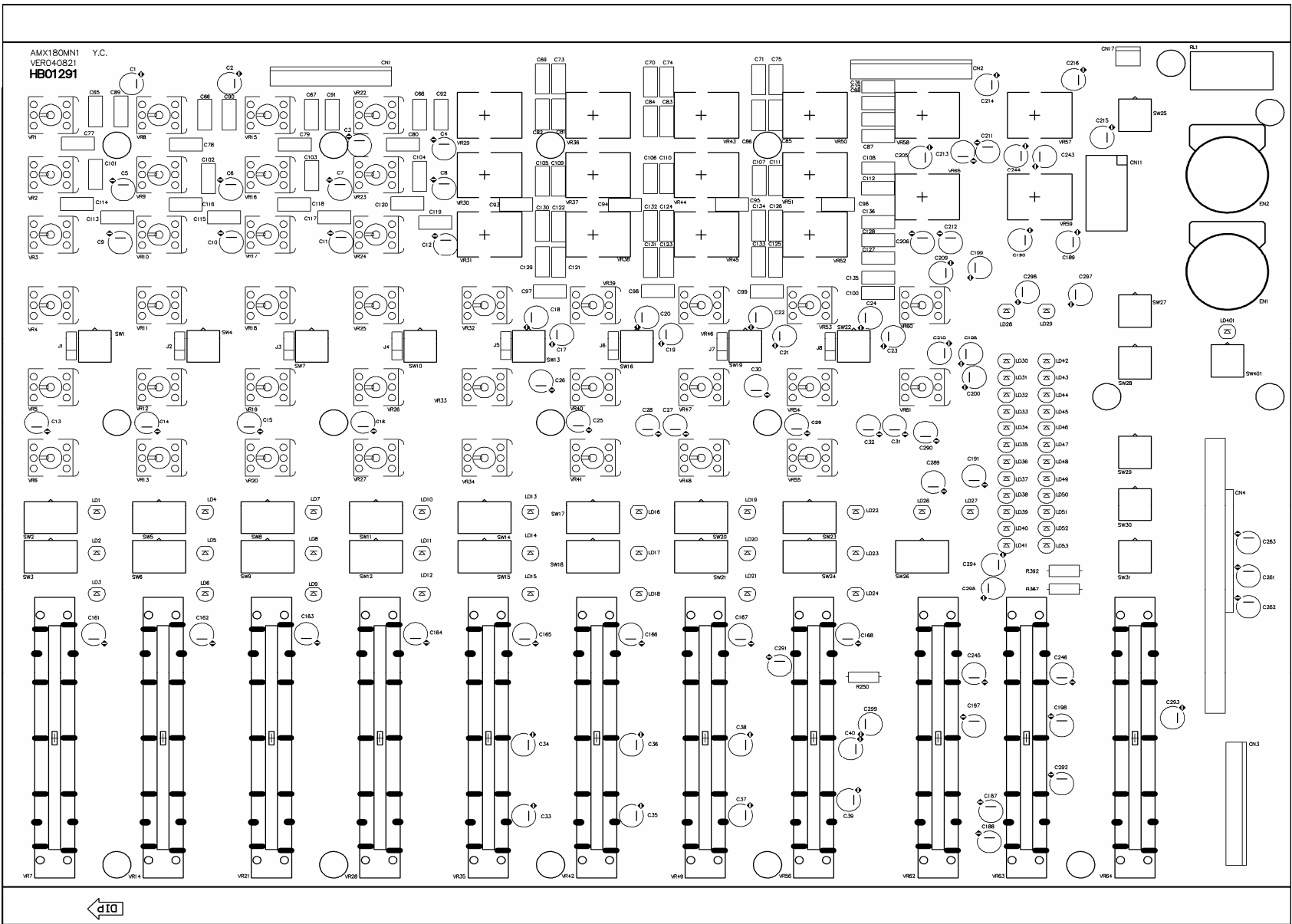
PCB : AMX180PU1 Top Layer



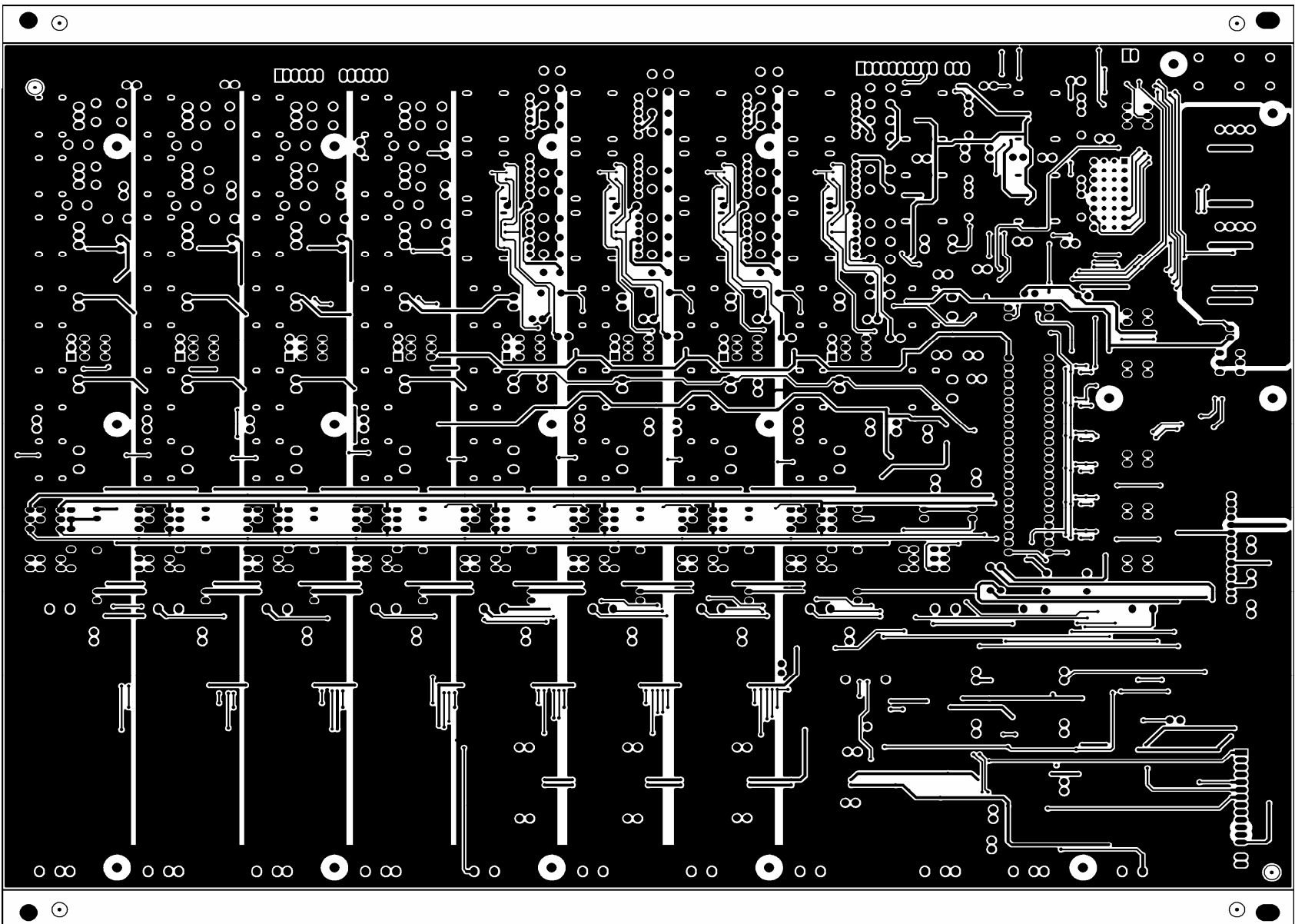
PCB : AMX180PU1 Bottom Overlay



PCB : AMX180PU1 Bottom Layer

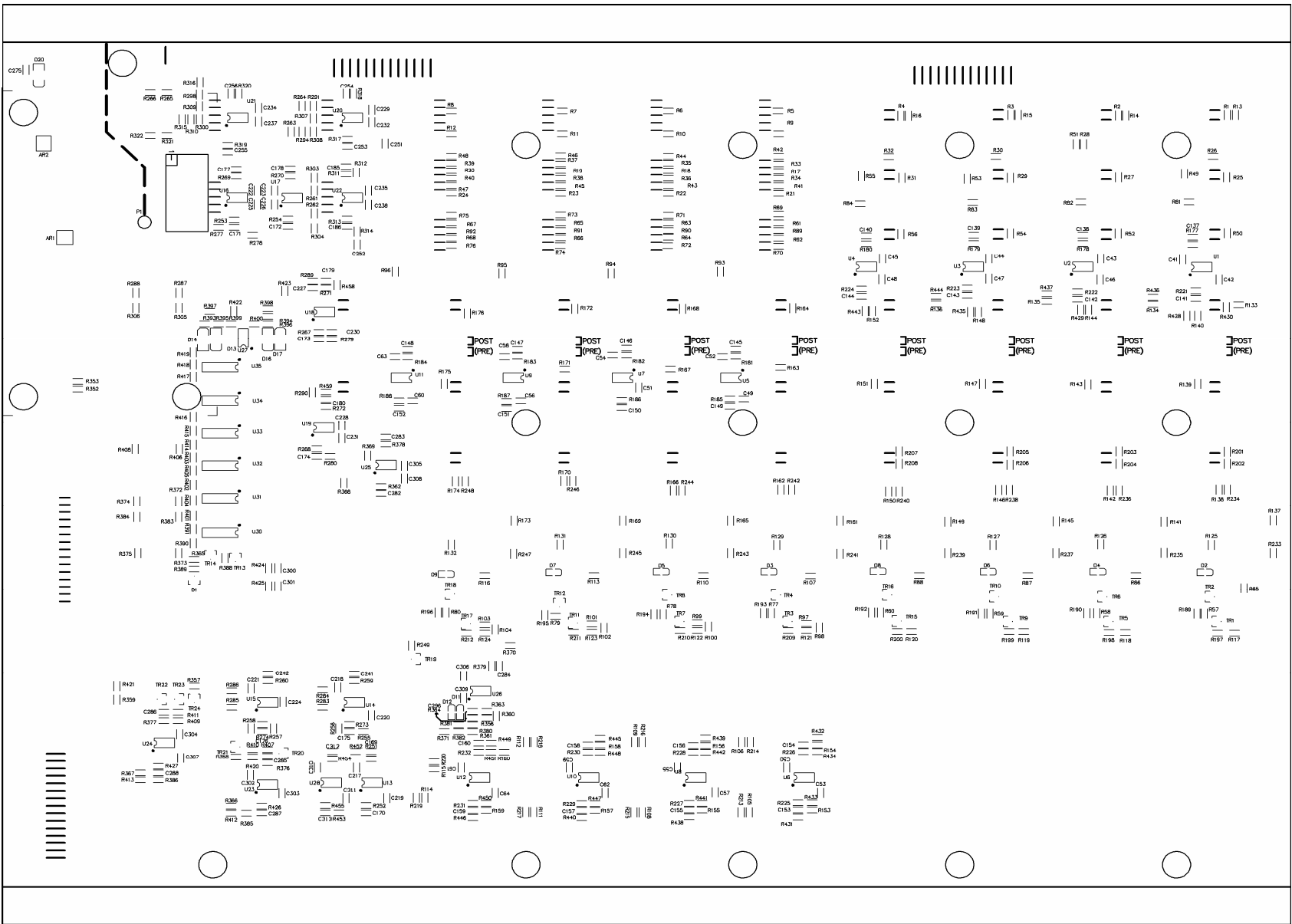


PCB : AMX180MN1 Top Overlay

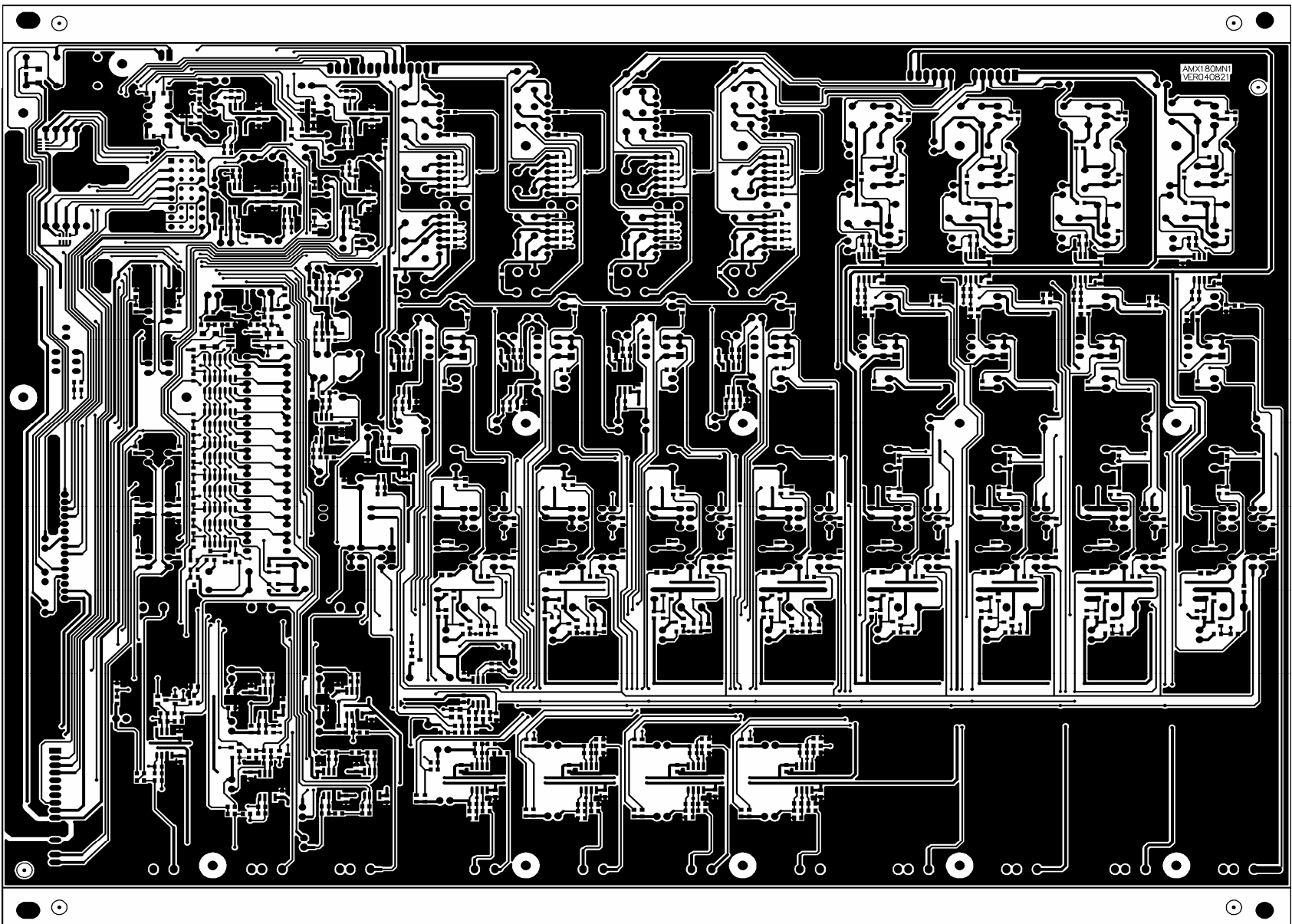


PCB : AMX180MN1 Top Layer



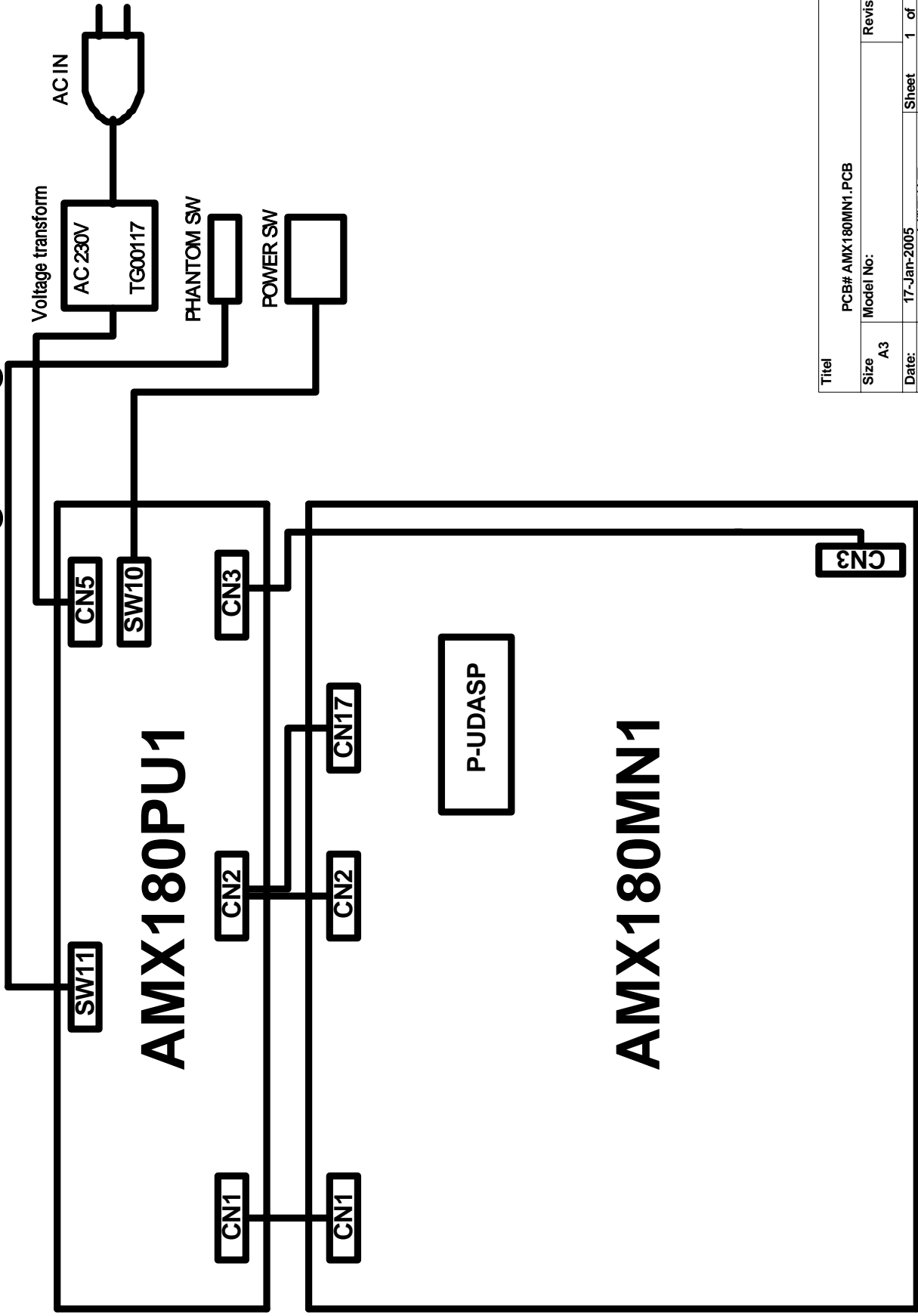


PCB : AMX180MN1 Bottom Overlay



PCB : AMX180MN1 Bottom Layer

# AMX-180FX Wiring Diagram



Title	PCB# AMX180MN1.PCB		
Size	A3	Model No:	Revision
Date:	17-Jan-2005	Sheet	1 of 1
File:	AMX180FX全機配線.Sch	Drawn By:	

4

3

2

1

D

C

B

A

D

C

B

A

4

3

2

1

Multi-Level BOM Structure Listing

Report No.: IEB0\_P02  
 Prepared by 020050[賴玉菁]

Date 2005/01/07  
 Page No.: 1 / 24

Item No. PF01717 Version  
 DESCRIPTION: AMX-180FX UNIT: PCS  
 AMX-180FX ALTO 230V Date: 2004/08/06

Version	Item No	Loss %	Ver.	Unit	Cardinal	Effective Date
Component Remark	Item Descri				Usage Rate	@:Phantom Layer
					Attrition	Rate
0001-----	MA04586 panel AMX-180FX ALTO_V1.1			PCS	1.0000 1	2004/08/06 N
0001-----	MA04587 panel AMX-180FX			PCS	1.0000 1	2003/11/11 N
0001-----	MA04588 panel AMX-180FX 1.0t*327.5*384*42mm			PCS	1.0000 1	2003/11/11 N
0001-----	MJ01186 hot gradual zinc 1.0t*2135*1220mm 20.45kg			PCS KG	1.0000 12 0.00	2003/11/11 Y %
0002-----	ME00113 iron pillar M3*13.8*0.5PH_V1.1			PCS	16.0000 1	2004/09/16 N
0002-----	MB03115 rear board AMX-180			PCS	1.0000 1	2004/08/06 N
0001-----	MB03116 bottom board AMX-180 1.0t*330*384*43mm			PCS	1.0000 1	2003/11/11 N
0001-----	MJ00058 iron board 1*2135*1220 20.45kg			PCS KG	1.0000 168 0.00	2003/11/11 N %
0003-----	HI00026 power switch RA12KKATOF 2P			PCS	1.0000 1	2004/08/06 N
0004-----	HI00171 power switch R612KKATOF1			PCS	1.0000 1	2004/08/06 N
0005-----	NI01863 key 5.5*W10*7.5			PCS	33.0000 1	2004/08/06 N
0006-----	NI01862 key 5.5*5.5*14.5			PCS	9.0000 1	2004/08/06 N
0007-----	NI02377 knob 5.5*7.5mm(内3.3*3.3mm)			PCS	8.0000 1	2004/08/06 N
0008-----	NI02083 knob 10.5*18mm			PCS	24.0000 1	2004/08/06 N
0009-----	NI02633 knob 10.5*18			PCS	10.0000 1	2004/08/06 N
0010-----	NI02082 knob 10.5*18mm			PCS	8.0000 1	2004/08/06 N
0011-----	NI02817 knob 10.5*18mm			PCS	2.0000 1	2004/08/06 N
0012-----	NI02081 knob 10.5*18mm			PCS	10.0000 1	2004/08/06 N
0013-----	NI02714 knob 10*13.5mm			PCS	5.0000 1	2004/08/06 N
0014-----	NI02386 konb 14*13mm			PCS	2.0000 1	2004/08/06 N
0015-----	NI02309 knob 24*11.5*11			PCS	8.0000 1	2004/08/06 N
0016-----	NI02352 knob 24*11.5*11			PCS	2.0000 1	2004/08/06 N

Multi-Level BOM Structure Listing

Report No.: IEB0\_P02  
 Prepared by 020050[賴玉菁]

Date 2005/01/07  
 Page No.: 2 / 24

Item No. PF01717 Version  
 DESCRIPTION: AMX-180FX UNIT: PCS  
 AMX-180FX ALTO 230V Date: 2004/08/06

Version	Item No	Loss %	Ver.	Unit	Cardinal	Effective Date
Component Remark	Item Descri				Usage Rate	@:Phantom Layer Attrition Rate
0017-----	NI02353 knob 24*11.5*11			PCS	1.0000 1	2004/08/06 N
0018-----	MG00041 screw M3*6			PCS	28.0000 1	2004/08/06 N
0019-----	MG00061 screw M3*10			PCS	18.0000 1	2004/08/06 N
0020-----	MG00247 copper pillar M3*10*0.5PHsingle length16			PCS	1.0000 1	2004/08/06 N
0021-----	MG00243 copper pillar M3*5*0.5PH			PCS	3.0000 1	2004/08/06 N
0022-----	MF00037 washer 3* 5*1t			PCS	2.0000 1	2004/08/06 N
0023-----	ME00015 nut 3m/m			PCS	2.0000 1	2004/08/06 N
0024-----	MG00036 screw M3*4			PCS	2.0000 1	2004/08/06 N
0025-----	ME00060 nut JY-6351G-02-250			PCS	30.0000 1	2004/08/06 N
0026-----	MF00061 washer JY-6351G-02-250			PCS	30.0000 1	2004/08/06 N
0027-----	NI01945 handle AMX-180;180FX_V1.0			PCS	1.0000 1	2004/08/06 N
0001-----	NI02878 handle 330*33*26mm AMX-180 black			PCS	1.0000 1	2004/06/10 N
0028-----	HA01388 row-wire connector wiring 2P 100			PCS	1.0000 1	2004/08/06 N
0029-----	HA01442 row-wire connector wiring 2P 200			PCS	1.0000 1	2004/08/06 N
0030-----	TG00122 adaptor 230V/50~60Hz_AC18V/1500mA_EI-57			PCS	1.0000 1	2004/08/30 N
0031-----	MJ00808 power clip WL3-32T			PCS	1.0000 1	2004/08/06 N
0032-----	NC00080 wood washer 3.17* 8.2*1			PCS	1.0000 1	2004/08/06 N
0001-----	NC00014 insulator 0.65M*60M*1t			KG	0.1500 1000	2003/10/28 N
0033-----	@NI00252 sleeve 4*20mm			PCS	4.0000 1	2004/08/06 N
0001-----	NI00248 sleeve 4*1000mm			M	20.0000 1000	2002/06/04 N
0034-----	NI00498 foot cushion 12.7*7*6mm(SF-005)			PCS	4.0000 1	2004/10/16 N
0035-----	NA00135 PE bag 0.05t*610*500mm			PCS KG	1.0000 1	2004/08/06 N

Multi-Level BOM Structure Listing

Report No.: IEB0\_P02  
 Prepared by 020050[賴玉菁]

Date 2005/01/07  
 Page No.: 3 / 24

Item No. PF01717 Version  
 DESCRIPTION: AMX-180FX UNIT: PCS  
 AMX-180FX ALTO 230V Date: 2004/08/06

Version	Item No	Loss %	Ver.	Unit	Cardinal	Effective Date
Component Remark	Item Descri				Usage Rate	@:Phantom Layer Attrition Rate
0036-----	HJ00006 desiccant 30g			PCS	1.0000 1 0.00 %	2004/08/06 N
0037-----	NF00061 assurance card ALTO			PCS	1.0000 1 0.00 %	2004/08/06 N
0038-----	NE05004 label ALTO			PCS	4.0000 1 0.00 %	2004/08/06 N
0001-----	NH00334 cone paper 0.040*1m			M	1.0000 76 0.00 %	2004/11/29 N
0039-----	NB03036 box AMX-180FX ALTO_V1.0			PCS	1.0000 1 0.00 %	2004/08/06 N
0040-----	NE12358 label AMX-180FX			PCS	4.0000 1 0.00 %	2004/08/06 N
0001-----	NH00012 bond paper 0.04*1M			M	1.0000 80 0.00 %	2004/01/07 N
0002-----	NI00014 membrane 0.035*1M			M	1.0000 80 0.00 %	2004/01/07 N
0041-----	NB03033 paper outter case 6 hole AMX-180 ALTO_V1.0			PCS	1.0000 2 0.00 %	2004/11/01 N
0042-----	NI02911 handle ALTO 072C			PCS	1.0000 1 0.00 %	2004/08/06 N
0043-----	HK04391 PC board P-AMX180FXPU1-DIP			PCS	1.0000 1 0.00 %	2004/08/06 N
0001-----	CB00061 electrolytic capacitor 220uF/100V 13*26mm C175			PCS	1.0000 1 0.00 %	2004/08/06 N
0002-----	HC00321 row-wire header(male) 14P 2.0mm 180° CN1			PCS	1.0000 1 0.00 %	2004/08/06 N
0003-----	HC00505 row-wire header(male) 16P 2.0mm 180° CN2,CN3			PCS	2.0000 1 0.00 %	2004/08/06 N
0004-----	HC00183 DC power jack KJ-36-S 3.5 CN5			PCS	1.0000 1 0.00 %	2004/08/06 N
0005-----	HI00236 push-button switch 2-stage 6P PS-9226A(SELF-LOCK) SW1, SW2, SW3, SW4, SW5, SW6, SW7, SW8			PCS	8.0000 1 0.00 %	2004/09/21 N
0006-----	HI00237 push-button switch 2stage 12P PS-13422R(SELF-LOCK) SW9			PCS	1.0000 1 0.00 %	2004/09/21 N

Multi-Level BOM Structure Listing

Report No.: IEBO\_P02  
 Prepared by 020050[賴玉菁]

Date 2005/01/07  
 Page No.: 4 / 24

Item No. PF01717 Version  
 DESCRIPTION: AMX-180FX  
 AMX-180FX ALTO 230V

UNIT: PCS  
 Date: 2004/08/06

Version	Item No Item Descri	Loss %	Ver.	Unit	Cardinal Usage Rate Attrition Rate	Effective Date @:Phantom Layer Rate
0007-----	HC00065 row-wire header (male) 2P 2.5mm 90° SW10, SW11			PCS	2.0000 1 0.00 %	2004/08/06 N
0008-----	SD00074 integrated circuit L7805CV(TO-220)(ST) TR2			PCS	1.0000 1 0.00 %	2004/08/06 N
0009-----	SD00077 integrated circuit L7815CV(TO-220)(ST) TR1			PCS	1.0000 1 0.00 %	2004/08/06 N
0010-----	SD00079 integrated circuit L7915CV(TO-220)(ST) TR3			PCS	1.0000 1 0.00 %	2004/08/06 N
0011-----	SB00043 transistor TIP122(ST) TR4			PCS	1.0000 1 0.00 %	2004/08/06 N
0012-----	SD00007 integrated circuit BA15218N (M5218L substitute) U9, U10			PCS	2.0000 1 0.00 %	2004/08/06 N
0013-----	RC00356 potentiometer Z10K RD09F1130042-10KZ(SAS1); 30F VR5, VR6, VR7, VR8, VR9			PCS	5.0000 1 0.00 %	2004/08/06 N
0014-----	HC00392 XLR MIC jack JY-5030-030G 180° X37, X38			PCS	2.0000 1 0.00 %	2004/08/06 N
0015-----	HC00125 MIC jack JY-6351G-02-250 X1, X2, X3, X4, X5, X6, X7, X8, X9, X10, X11, X12, X13, X14, X15, X16, X17, X18, X19, X20, X21, X28, X29, X30, X31, X32, X33, X34, X35, X36			PCS	30.0000 1 0.00 %	2004/08/06 N
0016-----	HC00403 RCA jack SCP6873NS3232T2 4P X27			PCS	1.0000 1 0.00 %	2004/08/06 N
0017-----	HC00126 XLR MIC jack JY-5042-030G female plug 180° X22, X23, X24, X25, X26			PCS	5.0000 1 0.00 %	2004/08/06 N
0018-----	MI02232 heat sink AMX-180_V1.0			PCS	1.0000 1 0.00 %	2004/08/06 N
0001-----	MJ00055 AL board 2*2000*1000 10.88kg			PCS KG	1.0000 224 0.00 %	2004/06/22 N

Multi-Level BOM Structure Listing

Report No.: IEB0\_P02  
 Prepared by 020050[賴玉菁]

Date 2005/01/07  
 Page No.: 5 / 24

Item No. PF01717 Version  
 DESCRIPTION: AMX-180FX  
 AMX-180FX ALTO 230V

UNIT: PCS  
 Date: 2004/08/06

Version	Item No	Loss %	Ver.	Unit	Cardinal	Effective Date
Component Remark	Item Descri				Usage Rate	@:Phantom Layer Attrition Rate
0019-----	NI02249 insulate bean TW-1(TO-220)			PCS	4.0000 1	2004/08/06 N
0020-----	NC00005 silicone insulator TO-220 square type			PCS	4.0000 1	2004/08/06 N
0021-----	MG00162 screw M3*8			PCS	4.0000 1	2004/08/06 N
0022-----	ME00015 nut 3m/m			PCS	4.0000 1	2004/08/06 N
0023-----	HK04392 PC board P-AMX180FXPU1-AI			PCS	1.0000 1	2004/08/06 N
0001-----	CB00238 electrolytic capacitor 0.22uF/50V 5*11mm C82,C83,C84,C85,C86,C87,C88,C89,C90,C91,C92,C93			PCS	12.0000 1	2004/08/06 N
0002-----	CB00242 electrolytic capacitor 22uF/35V 5*11mm C21,C22,C23,C26,C27,C28,C29,C30			PCS	8.0000 1	2004/08/06 N
0003-----	CB00194 electrolytic capacitor 47uF/25V 5*11mm C94,C95,C96,C97,C98,C99,C100,C103,C106,C107,C108,C109, C110,C111,C112,C113,C114,C115,C116,C179,C180,C183, C185,C186,C187			PCS	25.0000 1	2004/08/25 N
0004-----	CB00254 electrolytic capacitor 47uF/100V 10*12mm 5mm C170,C171,C172			PCS	3.0000 1	2004/08/06 N
0005-----	CB00249 electrolytic capacitor 47uF/50V 6.3*11mm 2.5mm C169,C31,C32,C33,C34,C35,C36,C37,C38,C39,C40			PCS	11.0000 1	2004/08/25 N
0006-----	CB00251 electrolytic capacitor 220UF/25V 8*11mm C176,C177			PCS	2.0000 1	2004/08/06 N
0007-----	CB00255 electrolytic capacitor 1000uF/10V 8*11mm 5mm C41,C42,C43,C44,C45			PCS	5.0000 1	2004/08/06 N
0008-----	CB00253 electrolytic capacitor 1000uF/16V 10*16mm 5mm C178			PCS	1.0000 1	2004/08/06 N
0009-----	SA00094 rectifier diode 1N4002/100V D1,D2,D3,D4			PCS	4.0000 1	2004/08/06 N

Multi-Level BOM Structure Listing

Report No.: IEBO\_P02  
 Prepared by 020050[賴玉菁]

Date 2005/01/07  
 Page No.: 6 / 24

Item No. PF01717 Version  
 DESCRIPTION: AMX-180FX  
 AMX-180FX ALTO 230V

UNIT: PCS  
 Date: 2004/08/06

Version	Item No Item Descri	Loss %	Ver.	Unit	Cardinal Usage Rate Attrition Rate	Effective Date @:Phantom Layer Rate
0010-----	RA00158 fixed resistor 1/4W 0.0 M type D7			PCS	1.0000 1 0.00 %	2004/12/16 N
0011-----	RA01258 fixed resistor 1/4W 10 R206			PCS	1.0000 1 0.00 %	2004/08/06 N
0012-----	RA01115 fixed resistor 1/4W 20K R209			PCS	1.0000 1 0.00 %	2004/08/06 N
0013-----	RA01262 precise resistor 1/4W 6.81K R21, R22, R23, R24, R25, R26, R27, R28, R29, R30			PCS	10.0000 1 0.00 %	2004/08/06 N
0014-----	SA00127 zener diode 1/2W 47V 1N5261 ZD1			PCS	1.0000 1 0.00 %	2004/08/06 N
0015-----	HK04393 PC board P-AMX180FXPU1-SMD			PCS	1.0000 1 0.00 %	2004/08/06 N
0001-----	HB01290 PCB AMX180PU1_VER040821			PCS	1.0000 1 0.00 %	2004/08/06 N
0002-----	C100051 SMD ceramic capacitor 0603 22PF/50V NPO ±5% C7, C9, C46, C47, C48, C49, C50, C51, C52, C53, C54, C55, C56, C57, C58, C59, C60, C61, C62, C63, C64, C65, C66, C67, C68, C69, C70, C71, C72, C73, C74, C75, C76, C77, C78, C79, C80, C81, C119, C120			PCS	40.0000 1 0.00 %	2004/08/25 N
0003-----	C100055 SMD ceramic capacitor 0603 47PF/50V NPO ±5% C6, C10, C15, C16, C20			PCS	5.0000 1 0.00 %	2004/08/06 N
0004-----	C100059 SMD ceramic capacitor 0603 100PF/50V NPO ±5% C121, C122, C123, C124, C125, C126, C127, C128, C129, C130, C131, C132, C133, C134, C135, C136, C191, C192, C193, C194			PCS	20.0000 1 0.00 %	2004/08/06 N
0005-----	C100063 SMD ceramic capacitor 0603 470PF/50V NPO ±5 % C1, C2, C3, C4, C5, C8, C11, C12, C13, C14, C17, C18, C19			PCS	13.0000 1 0.00 %	2004/08/06 N
0006-----	C100075 SMD ceramic capacitor 0603 0.1uF/50V Y5V +80, -20% C24, C25, C137, C138, C139, C140, C141, C142, C143, C144, C145, C146, C147, C148, C149, C150, C151, C152, C153, C154, C155, C156, C157, C158, C159, C160, C161, C162, C163, C166, C167, C168			PCS	32.0000 1 0.00 %	2004/08/25 N



Multi-Level BOM Structure Listing

Report No.: IEB0\_P02  
 Prepared by 020050[賴玉菁]

Date 2005/01/07  
 Page No.: 7 / 24

Item No. PF01717 Version  
 DESCRIPTION: AMX-180FX  
 AMX-180FX ALTO 230V

UNIT: PCS  
 Date: 2004/08/06

Version	Item No	Loss %	Ver.	Unit	Cardinal	Effective Date
Component Remark	Item Descri				Usage Rate	@:Phantom Layer Attrition Rate
0007-----	SE00011 SMD rectifier diode RLS4148 0.5A (LL-34) D5,D6			PCS	2.0000 1 0.00 %	2004/08/06 N
0008-----	RD00059 SMD fixed resistor 1/10W 0.0 ±5% 0603 R204			PCS	1.0000 1 0.00 %	2004/08/06 N
0009-----	RD00355 SMD fixed resistor 1/10W 4.7 ±5% 0603 R11,R12,R13,R14,R15,R16,R17,R18,R19,R20			PCS	10.0000 1 0.00 %	2004/08/06 N
0010-----	RD00265 SMD fixed resistor 1/10W 27 ±5% 0603 R51,R52,R53,R54,R55			PCS	5.0000 1 0.00 %	2004/08/06 N
0011-----	RD00069 SMD fixed resistor 1/10W 120 ±5% 0603 R164,R165,R166,R167,R168,R169,R170,R171,R172,R173, R174,R175,R180,R181,R182,R183,R184,R185,R186,R187, R188,R189,R190,R191,R192,R193,R194,R195,R196,R197, R198,R199			PCS	32.0000 1 0.00 %	2004/08/06 N
0012-----	RD00083 SMD fixed resistor 1/10W 1.0K ±5% 0603 R176,R177			PCS	2.0000 1 0.00 %	2004/08/06 N
0013-----	RD00351 SMD fixed resistor 1/10W 1.3K ±5% 0603 R132,R133,R129,R135			PCS	4.0000 1 0.00 %	2004/10/11 N
0014-----	RD00087 SMD fixed resistor 1/10W 2.0K ±5% 0603 R156,R157,R158,R159,R160,R161,R162,R163			PCS	8.0000 1 0.00 %	2004/08/06 N
0015-----	RD00352 SMD fixed resistor 1/10W 3.6K ±5% 0603 R41,R42,R43,R44,R45,R46,R47,R48,R49,R50			PCS	10.0000 1 0.00 %	2004/08/06 N
0016-----	RD00094 SMD fixed resistor 1/10W 5.1K ±5% 0603 R3,R4,R34,R35,R200,R201,R202,R203			PCS	8.0000 1 0.00 %	2004/08/06 N
0017-----	RD00097 SMD fixed resistor 1/10W 6.8K ±5% 0603 R136,R137,R138,R139			PCS	4.0000 1 0.00 %	2004/08/06 N
0018-----	RD00101 SMD fixed resistor 1/10W 10K ±5% 0603 R76,R77,R78,R80,R81,R82,R83,R84,R85,R86,R87,R88,R92, R93,R94,R95,R96,R97,R98,R105,R106,R107,R108,R109,R110,			PCS	45.0000 1 0.00 %	2004/08/25 N

Multi-Level BOM Structure Listing

Report No.: IEBO\_P02  
 Prepared by 020050[賴玉菁]

Date 2005/01/07  
 Page No.: 8 / 24

Item No. PF01717 Version  
 DESCRIPTION: AMX-180FX  
 AMX-180FX ALTO 230V

UNIT: PCS  
 Date: 2004/08/06

Version	Item No	Loss %	Ver.	Unit	Cardinal	Effective Date
Component Remark	Item Descri				Usage Rate @:	Phantom Layer Attrition Rate
	R111, R112, R113, R114, R115, R116, R117, R118, R119, R120, R121, R122, R123, R124, R125, R126, R127, R208, R210, R211					
0019-----	RD00104 SMD fixed resistor 1/10W 18K ±5% 0603 R79, R89, R90, R91			PCS	4.0000 1 0.00 %	2004/08/06 N
0020-----	RD00306 SMD fixed resistor 1/10W 20K ±5% 0603 R140, R141, R142, R143, R144, R145, R146, R147, R148, R149, R150, R151, R152, R153, R154, R155, R100			PCS	17.0000 1 0.00 %	2004/08/25 N
0021-----	RD00354 SMD fixed resistor 1/10W 51K ±5% 0603 R1, R2, R5, R6, R7, R8, R9, R10			PCS	8.0000 1 0.00 %	2004/08/06 N
0022-----	RD00113 SMD fixed resistor 1/10W 62K ±5% 0603 R128, R134, R130, R131			PCS	4.0000 1 0.00 %	2004/10/11 N
0023-----	RD00345 SMD fixed resistor 1/10W 390K ±5% 0603 R207			PCS	1.0000 1 0.00 %	2004/08/06 N
0024-----	RD00210 SMD precise resistor 1/10W 5.11K ±1% 0603 R56, R57, R58, R59, R60, R61, R62, R63, R64, R65, R67, R68, R69, R70, R71, R72, R73, R74, R75			PCS	19.0000 1 0.00 %	2004/08/25 N
0025-----	RD00334 SMD precise resistor 1/10W 11.0K ±1% 0603 R31, R32, R33, R36, R37, R38, R39, R40			PCS	8.0000 1 0.00 %	2004/08/06 N
0026-----	SG00122 SMD integrated circuit NJM4580M-TE3 U1, U2, U3, U4, U5, U6, U7, U8, U11, U12, U13, U15, U16, U17, U18			PCS	15.0000 1 0.00 %	2004/08/25 N
0027-----	RD00099 SMD fixed resistor 1/10W 8.2K ±5% 0603 R66			PCS	1.0000 1 0.00 %	2004/08/27 N
0024-----	CB00252 electrolytic capacitor 1500uF/25V 12.5*20mm 5mm C173, C174			PCS	2.0000 1 0.00 %	2004/08/27 N
0025-----	MF00037 washer 3* 5*1t			PCS	1.0000 1 0.00 %	2004/10/12 N
0044-----	HK04388 PC board P-AMX180FXMN1-DIP			PCS	1.0000 1 0.00 %	2004/08/06 N

Multi-Level BOM Structure Listing

Report No.: IEBO\_P02  
 Prepared by 020050[賴玉菁]

Date 2005/01/07  
 Page No.: 9 / 24

Item No. PF01717 Version  
 DESCRIPTION: AMX-180FX  
 AMX-180FX ALTO 230V

UNIT: PCS  
 Date: 2004/08/06

Version	Item No Item Descri	Loss %	Ver.	Unit	Cardinal Usage Rate Attrition Rate	Effective Date @:Phantom Layer Rate
0001-----	HA03075 wire 14P(male)-14P(female) 40mm UL1007 28AWG CN1			PCS	1.0000 1 0.00 %	2004/08/06 N
0002-----	HA03177 wire 16-14P/2P 50/40mm UL1007 28AWG CN2,CN17			PCS	1.0000 1 0.00 %	2004/08/06 N
0003-----	HA03173 wire 16P-16P 300mm UL1007 28AWG CN3			PCS	1.0000 1 0.00 %	2004/08/06 N
0004-----	HC00473 row pin header(double) 2.45mm 180° 2*8P B25-2*8BG1(B)H=5mm CN11			PCS	1.0000 1 0.00 %	2004/08/06 N
0005-----	HK00832 PC board P-FX-DSP-DIP CN4			PCS	1.0000 1 0.00 %	2004/08/06 N
0001-----	HC00697 row pin (single)#5100 2.0 90° 16P(gold-pated)2.5/9.5mm 2mm CN1			PCS	1.0000 1 0.00 %	2004/10/14 N
0002-----	HK00833 PC board P-FX-DSP-SMD			PCS	1.0000 1 0.00 %	2003/12/16 N
0001-----	HB01109 PCB FX-DSP(1*10)_VER031014			PCS	1.0000 1 0.00 %	2003/12/16 N
0002-----	CI00051 SMD ceramic capacitor 0603 22PF/50V NPO ±5% C329,C330,C331,C332			PCS	4.0000 1 0.00 %	2003/12/16 N
0003-----	CI00053 SMD ceramic capacitor 0603 33PF/50V NPO ±5% C348,C349			PCS	2.0000 1 0.00 %	2003/12/16 N
0004-----	CI00129 SMD ceramic capacitor 0603 0.0015uF/-50V X7R ±10% C345,C346,C347			PCS	3.0000 1 0.00 %	2003/12/16 N
0005-----	CI00075 SMD ceramic capacitor 0603 0.1uF/50V Y5V +80,-20% C333,C334,C336,C337,C338,C339,C340,C341			PCS	8.0000 1 0.00 %	2003/12/16 N
0006-----	CL00002 SMD tantalum capacitor 1.0uF/16V case A C352,C353			PCS	2.0000 1 0.00 %	2003/12/16 N

Multi-Level BOM Structure Listing

Report No.: IEB0\_P02  
 Prepared by 020050[賴玉菁]

Date 2005/01/07  
 Page No.: 10 / 24

Item No. PF01717 Version  
 DESCRIPTION: AMX-180FX  
 AMX-180FX ALTO 230V

UNIT: PCS  
 Date: 2004/08/06

Version	Item No	Loss %	Ver.	Unit	Cardinal	Effective Date
Component Remark	Item Descri				Usage Rate	@:Phantom Layer
					Attrition Rate	
0007-----	CL00006 SMD tantalum capacitor 10uF/16V case B2 C350,C351			PCS	2.0000 1 0.00 %	2003/12/16 N
0008-----	RD00068 SMD fixed resistor 1/10W 100 ±5% 0603 R420,R421			PCS	2.0000 1 0.00 %	2003/12/16 N
0009-----	RD00073 SMD fixed resistor 1/10W 220 ±5% 0603 R426			PCS	1.0000 1 0.00 %	2003/12/16 N
0010-----	RD00083 SMD fixed resistor 1/10W 1.0K ±5% 0603 R418			PCS	1.0000 1 0.00 %	2003/12/16 N
0011-----	RD00088 SMD fixed resistor 1/10W 2.2K ±5% 0603 R424			PCS	1.0000 1 0.00 %	2003/12/16 N
0012-----	RD00091 SMD fixed resistor 1/10W 3.3K ±5% 0603 R422,R423			PCS	2.0000 1 0.00 %	2003/12/16 N
0013-----	RD00093 SMD fixed resistor 1/10W 4.7K ±5% 0603 R416			PCS	1.0000 1 0.00 %	2003/12/16 N
0014-----	RD00098 SMD fixed resistor 1/10W 7.5K ±5% 0603 R419			PCS	1.0000 1 0.00 %	2003/12/16 N
0015-----	RD00101 SMD fixed resistor 1/10W 10K ±5% 0603 R397,R398,R399,R400,R401,R402,R403,R404,R405,R406, R407,R408,R409,R410,R411,R412,R413,R414			PCS	18.0000 1 0.00 %	2003/12/16 N
0016-----	RD00111 SMD fixed resistor 1/10W 47K ±5% 0603 R415			PCS	1.0000 1 0.00 %	2003/12/16 N
0017-----	RD00124 SMD fixed resistor 1/10W 820K ±5% 0603 R431			PCS	1.0000 1 0.00 %	2003/12/16 N
0018-----	RD00125 SMD fixed resistor 1/10W 1.0M ±5% 0603 R417			PCS	1.0000 1 0.00 %	2003/12/16 N

Multi-Level BOM Structure Listing

Report No.: IEB0\_P02  
 Prepared by 020050[賴玉菁]

Date 2005/01/07  
 Page No.: 11 / 24

Item No. PF01717 Version  
 DESCRIPTION: AMX-180FX  
 AMX-180FX ALTO 230V

UNIT: PCS  
 Date: 2004/08/06

Version	Item No Item Descri	Loss %	Ver.	Unit	Cardinal Usage Rate Attrition Rate	Effective Date @:Phantom Layer Rate
0019-----	RD00126 SMD fixed resistor 1/10W 2.2M ±5% 0603 R425			PCS	1.0000 1 0.00 %	2003/12/16 N
0020-----	SG00122 SMD integrated circuit NJM4580M-TE3 U44,U45,U46			PCS	3.0000 1 0.00 %	2003/12/16 N
0021-----	SG00094 SMD integrated circuit NE555DT/(ST) U43			PCS	1.0000 1 0.00 %	2003/12/16 N
0022-----	SG00005 SMD integrated circuit BA10393F/(FOHM) U47			PCS	1.0000 1 0.00 %	2003/12/16 N
0023-----	SG00068 SMD integrated circuit 74HC14DT U49			PCS	1.0000 1 0.00 %	2003/12/16 N
0024-----	SG00164 SMD integrated circuit 74HC109D U48			PCS	1.0000 1 0.00 %	2003/12/16 N
0025-----	SE00028 diode BAS316,115 D7,D15			PCS	2.0000 1 0.00 %	2003/12/16 N
0026-----	SE00009 SMD rectifier diode DAN202K/T-146 D16			PCS	1.0000 1 0.00 %	2003/12/16 N
0027-----	SE00007 SMD rectifier diode RB400D(D3A) D10			PCS	1.0000 1 0.00 %	2003/12/16 N
0028-----	SF00010 SMD transistor 2SC2412K(SOT-23)/(R) TR16,TR17			PCS	2.0000 1 0.00 %	2003/12/16 N
0006-----	HI00195 rotary encode SDB161PVB15.5F-1-4-16-16PC EN1,EN2			PCS	2.0000 1 0.00 %	2004/08/06 N
0007-----	SA00052 L.E.D high intensity 3m/m round(green)long foot 26 LD29,LD32,LD33,LD34,LD35,LD36,LD37,LD38,LD39,LD40, LD41,LD44,LD45,LD46,LD47,LD48,LD49,LD50,LD51,LD52,LD53			PCS	21.0000 1 0.00 %	2004/08/06 N

Multi-Level BOM Structure Listing

Report No.: IEBO\_P02  
 Prepared by 020050[賴玉菁]

Date 2005/01/07  
 Page No.: 12 / 24

Item No. PF01717 Version  
 DESCRIPTION: AMX-180FX  
 AMX-180FX ALTO 230V

UNIT: PCS  
 Date: 2004/08/06

Version	Item No	Loss %	Ver.	Unit	Cardinal	Effective Date
Component Remark	Item Descri				Usage Rate	@:Phantom Layer Attrition Rate
0008-----	SA00053 L.E.D high intensity 3m/m round(red)long foot 26mm LD1, LD3, LD4, LD6, LD7, LD9, LD10, LD12, LD13, LD15, LD16, LD18, LD19, LD21, LD22, LD24, LD26, LD28, LD30, LD42, LD401			PCS	21.0000 1 0.00 %	2004/08/06 N
0009-----	SA00054 L.E.D high intensity 3m/m round(yellow)long foot 26 LD2, LD5, LD8, LD11, LD14, LD17, LD20, LD23, LD27, LD31, LD43			PCS	11.0000 1 0.00 %	2004/08/06 N
0010-----	NI01782 LED spacer support LEDS-11 11mm			PCS	53.0000 1 0.00 %	2004/08/06 N
0011-----	HI00161 relay RY-5W-K, 5V RL1			PCS	1.0000 1 0.00 %	2004/08/06 N
0012-----	HI00236 push-button switch 2-stage 6P PS-9226A(SELF-LOCK) SW1, SW4, SW7, SW10, SW13, SW16, SW19, SW22, SW25, SW27, SW28, SW29, SW30, SW31			PCS	14.0000 1 0.00 %	2004/09/21 N
0013-----	HI00238 push-button switch 2 stage 6P PS-9226A(NON-LOCK) SW401			PCS	1.0000 1 0.00 %	2004/09/21 N
0014-----	HI00237 push-button switch 2stage 12P PS-13422R(SELF-LOCK) SW2, SW3, SW5, SW6, SW8, SW9, SW11, SW12, SW14, SW15, SW17, SW18, SW20, SW21, SW23, SW24, SW26			PCS	17.0000 1 0.00 %	2004/09/21 N
0015-----	RC00284 potentiometer D10K RF6011YP600F-10KD(SAS1) VR7, VR14, VR21, VR28, VR62, VR63			PCS	6.0000 1 0.00 %	2004/08/06 N
0016-----	RC00285 potentiometer D10K RF60112P600G-10KD*2(SAS1) VR35, VR42, VR49, VR56, VR64			PCS	5.0000 1 0.00 %	2004/08/06 N
0017-----	RC00358 potentiometer B50K -RD09F113A223-50K2BT(SAS1);30F-C VR1, VR2, VR3, VR8, VR9, VR10, VR15, VR16, VR17, VR22, VR23, VR24			PCS	12.0000 1 0.00 %	2004/08/06 N
0018-----	RC00360 potentiometer B50K RD12L12CA23A-50K3BT*2(SAS1);30F-C VR29, VR30, VR31, VR36, VR37, VR38, VR43, VR44, VR45, VR50, VR51, VR52			PCS	12.0000 1 0.00 %	2004/08/06 N
0019-----	RC00359 potentiometer W50K RD09F113A224-50K4BT(SAS1);30F-C VR4, VR5, VR11, VR12, VR18, VR19, VR25, VR26, VR32, VR33, VR39, VR40, VR46, VR47, VR53, VR54, VR60, VR61			PCS	18.0000 1 0.00 %	2004/10/13 N

Multi-Level BOM Structure Listing

Report No.: IEB0\_P02  
 Prepared by 020050[賴玉菁]

Date 2005/01/07  
 Page No.: 13 / 24

Item No. PF01717 Version  
 DESCRIPTION: AMX-180FX UNIT: PCS  
 AMX-180FX ALTO 230V Date: 2004/08/06

Version	Item No	Loss %	Ver.	Unit	Cardinal	Effective Date
Component Remark	Item Descri				Usage Rate	@:Phantom Layer Attrition Rate
0020-----	RC00361 potentiometer W50K RD12L12CA60B-50K4BT*2(SAS1);30F-C VR57, VR58, VR59, VR65			PCS	4.0000 1 0.00 %	2004/08/06 N
0021-----	HK04389 PC board P-AMX180FXMN1-AI			PCS	1.0000 1 0.00 %	2004/08/06 N
0001-----	CF00138 metal-film capacitor MSC 0.012uF/63V ±5% CASE01 C89, C90, C91, C92, C93, C94, C95, C96, C97, C98, C99, C100, C101, C102, C103, C104, C105, C106, C107, C108, C109, C110, C111, C112			PCS	24.0000 1 0.00 %	2004/08/06 N
0002-----	CF00136 metal-film capacitor MSC 0.018uF/63V 5% CASE01 C65, C66, C67, C68, C69, C70, C71, C72, C73, C74, C75, C76, C77, C78, C79, C80, C81, C82, C83, C84, C85, C86, C87, C88			PCS	24.0000 1 0.00 %	2004/08/06 N
0003-----	CF00137 metal-film capacitor MSC 0.033uF/63V 5% CASE01 C113, C114, C115, C116, C117, C118, C119, C120, C121, C122, C123, C124, C125, C126, C127, C128, C129, C130, C131, C132, C133, C134, C135, C136			PCS	24.0000 1 0.00 %	2004/08/06 N
0004-----	CB00239 electrolytic capacitor 2.2uF/50V 5*11mm C161, C162, C163, C164, C165, C166, C167, C168, C299			PCS	9.0000 1 0.00 %	2004/08/06 N
0005-----	CB00245 electrolytic capacitor 4.7uF/50V SLL 5*11mm C261, C262, C263			PCS	3.0000 1 0.00 %	2004/08/06 N
0006-----	CB00194 electrolytic capacitor 47uF/25V 5*11mm C1, C2, C3, C4, C5, C6, C7, C8, C9, C10, C11, C12, C13, C14, C15, C16, C17, C18, C19, C20, C21, C22, C23, C24, C25, C26, C27, C28, C29, C30, C31, C32, C33, C34, C35, C36, C37, C38, C39, C40, C187, C188, C189, C190, C191, C195, C197, C198, C199, C200, C205, C206, C209, C210, C211, C212, C213, C214, C215, C216, C243, C244, C245, C246, C289, C290, C291, C292, C293, C294, C295, C297, C298			PCS	73.0000 1 0.00 %	2004/08/06 N
0007-----	RA01260 fixed resistor 1/4W 120 R250, R387, R392			PCS	3.0000 1 0.00 %	2004/08/06 N
0008-----	HK04390 PC board P-AMX180FXMN1-SMD			PCS	1.0000 1 0.00 %	2004/08/06 N
0001-----	HB01291 PCB AMX180MN1_VER040821			PCS	1.0000 1 0.00 %	2004/08/06 N
0002-----	RE00011 resistor 680 *4 ±5% 8P 0603 AR1, AR2			PCS	2.0000 1 0.00 %	2004/08/06 N

Multi-Level BOM Structure Listing

Report No.: IEB0\_P02  
 Prepared by 020050[賴玉菁]

Date 2005/01/07  
 Page No.: 14 / 24

Item No. PF01717 Version  
 DESCRIPTION: AMX-180FX  
 AMX-180FX ALTO 230V

UNIT: PCS  
 Date: 2004/08/06

Version	Item No	Loss %	Ver.	Unit	Cardinal	Effective Date
Component Remark	Item Descri				Usage Rate @:	Phantom Layer
					Attrition Rate	
0003-----	C100051 SMD ceramic capacitor 0603 22PF/50V NPO ±5%			PCS	53.0000 1 0.00 %	2004/08/25 N
	C137, C138, C139, C140, C141, C142, C143, C144, C145, C146, C147, C148, C149, C150, C151, C152, C153, C154, C155, C156, C157, C158, C159, C160, C169, C170, C171, C172, C173, C174, C175, C176, C177, C178, C179, C180, C185, C186, C241, C242, C253, C254, C255, C256, C282, C283, C284, C285, C286, C287, C288, C312, C313					
0004-----	C100059 SMD ceramic capacitor 0603 100PF/50V NPO ±5%			PCS	2.0000 1 0.00 %	2004/08/06 N
	C251, C252					
0005-----	C100075 SMD ceramic capacitor 0603 0.1uF/50V Y5V +80, -20%			PCS	58.0000 1 0.00 %	2004/08/25 N
	C41, C42, C43, C44, C45, C46, C47, C48, C49, C50, C51, C52, C53, C54, C55, C56, C57, C58, C59, C60, C61, C62, C63, C64, C217, C218, C219, C220, C221, C222, C223, C224, C225, C226, C227, C228, C229, C230, C231, C232, C234, C235, C237, C238, C275, C296, C300, C301, C302, C303, C304, C305, C306, C307, C308, C309, C310, C311					
0006-----	SE00008 SMD rectifier diode DA204K/T-146			PCS	1.0000 1 0.00 %	2004/08/06 N
	D1					
0007-----	SE00028 diode BAS316, 115			PCS	10.0000 1 0.00 %	2004/08/06 N
	D2, D3, D4, D5, D6, D7, D8, D9, D11, D12					
0008-----	SE00011 SMD rectifier diode RLS4148 0.5A (LL-34)			PCS	5.0000 1 0.00 %	2004/08/06 N
	D13, D14, D16, D17, D20					
0009-----	RD00059 SMD fixed resistor 1/10W 0.0 ±5% 0603			PCS	4.0000 1 0.00 %	2004/08/06 N
	R366, R367, R393, R394					
0010-----	RD00065 SMD fixed resistor 1/10W 47 ±5% 0603			PCS	2.0000 1 0.00 %	2004/08/06 N
	R424, R425					
0011-----	RD00346 SMD fixed resistor 1/10W 56 ±5% 0603			PCS	1.0000 1 0.00 %	2004/08/06 N
	R390					
0012-----	RD00069 SMD fixed resistor 1/10W 120 ±5% 0603			PCS	1.0000 1 0.00 %	2004/08/06 N
	R391					
0013-----	RD00073 SMD fixed resistor 1/10W 220 ±5% 0603			PCS	2.0000 1 0.00 %	2004/08/06 N



Multi-Level BOM Structure Listing

Report No.: IEB0\_P02  
 Prepared by 020050[賴玉菁]

Date 2005/01/07  
 Page No.: 15 / 24

Item No. PF01717 Version  
 DESCRIPTION: AMX-180FX  
 AMX-180FX ALTO 230V

UNIT: PCS  
 Date: 2004/08/06

Version	Item No	Loss %	Ver.	Unit	Cardinal	Effective Date
Component Remark	Item Descri				Usage Rate	@:Phantom Layer Attrition Rate
	R352,R353					
0014-----	RD00076 SMD fixed resistor 1/10W 330 ±5% 0603 R404,R405			PCS	2.0000 1 0.00 %	2004/08/06 N
0015-----	RD00078 SMD fixed resistor 1/10W 470 ±5% 0603 R401,R402,R403			PCS	3.0000 1 0.00 %	2004/08/06 N
0016-----	RD00347 SMD fixed resistor 1/10W 510 ±5% 0603 R249,R388,R389,R414			PCS	4.0000 1 0.00 %	2004/08/06 N
0017-----	RD00348 SMD fixed resistor 1/10W 620 ±5% 0603 R415			PCS	1.0000 1 0.00 %	2004/08/06 N
0018-----	RD00080 SMD fixed resistor 1/10W 680 ±5% 0603 R133,R134,R135,R136			PCS	4.0000 1 0.00 %	2004/08/06 N
0019-----	RD00349 SMD fixed resistor 1/10W 910 ±5% 0603 R25,R26,R27,R28,R29,R30,R31,R32,R33,R34,R35,R36,R37, R38,R39,R40,R41,R42,R43,R44,R45,R46,R47,R48			PCS	24.0000 1 0.00 %	2004/08/06 N
0020-----	RD00083 SMD fixed resistor 1/10W 1.0K ±5% 0603 R311,R313			PCS	2.0000 1 0.00 %	2004/08/06 N
0021-----	RD00350 SMD fixed resistor 1/10W 1.1K ±5% 0603 R1,R2,R3,R4,R5,R6,R7,R8,R9,R10,R11,R12			PCS	12.0000 1 0.00 %	2004/08/06 N
0022-----	RD00351 SMD fixed resistor 1/10W 1.3K ±5% 0603 R13,R14,R15,R16,R17,R18,R19,R20,R21,R22,R23,R24,R416			PCS	13.0000 1 0.00 %	2004/08/06 N
0023-----	RD00085 SMD fixed resistor 1/10W 1.5K ±5% 0603 R189,R190,R191,R192,R193,R194,R195,R196,R312,R314			PCS	10.0000 1 0.00 %	2004/08/06 N
0024-----	RD00087 SMD fixed resistor 1/10W 2.0K ±5% 0603 R417,R422			PCS	2.0000 1 0.00 %	2004/08/06 N
0025-----	RD00088 SMD fixed resistor 1/10W 2.2K ±5% 0603 R125,R126,R127,R128,R129,R130,R131,R132			PCS	8.0000 1 0.00 %	2004/08/06 N

Multi-Level BOM Structure Listing

Report No.: IEBO\_P02  
 Prepared by 020050[賴玉菁]

Date 2005/01/07  
 Page No.: 16 / 24

Item No. PF01717 Version  
 DESCRIPTION: AMX-180FX  
 AMX-180FX ALTO 230V

UNIT: PCS  
 Date: 2004/08/06

Version	Item No	Loss %	Ver.	Unit	Cardinal	Effective Date
Component Remark	Item Descri				Usage Rate	@:Phantom Layer Attrition Rate
0026-----	RD00352 SMD fixed resistor 1/10W 3.6K ±5% 0603 R458, R459			PCS	2.0000 1 0.00 %	2004/08/06 N
0027-----	RD00093 SMD fixed resistor 1/10W 4.7K ±5% 0603 R197, R198, R199, R200, R201, R202, R203, R204, R205, R206, R207, R208, R209, R210, R211, R212, R213, R214, R215, R216, R217, R218, R219, R220, R423, R251, R252			PCS	27.0000 1 0.00 %	2004/08/25 N
0028-----	RD00094 SMD fixed resistor 1/10W 5.1K ±5% 0603 R105, R106, R108, R109, R111, R112, R114, R115, R137, R138, R141, R142, R145, R146, R149, R150, R153, R154, R155, R156, R157, R158, R159, R160, R161, R162, R163, R164, R165, R166, R167, R168, R169, R170, R171, R172, R173, R174, R175, R176, R256, R258, R259, R260, R381, R382, R383, R384, R385, R386, R430, R431, R432, R433, R434, R436, R437, R438, R439, R440, R441, R442, R444, R445, R446, R447, R448, R449, R450, R451			PCS	70.0000 1 0.00 %	2004/08/25 N
0029-----	RD00095 SMD fixed resistor 1/10W 5.6K ±5% 0603 R418			PCS	1.0000 1 0.00 %	2004/08/06 N
0030-----	RD00096 SMD fixed resistor 1/10W 6.2K ±5% 0603 R255, R257, R277, R278			PCS	4.0000 1 0.00 %	2004/08/06 N
0031-----	RD00097 SMD fixed resistor 1/10W 6.8K ±5% 0603 R49, R50, R51, R52, R53, R54, R55, R56, R57, R58, R59, R60, R61, R62, R63, R64, R65, R66, R67, R68, R69, R70, R71, R72, R73, R74, R75, R76, R77, R78, R79, R80, R139, R140, R143, R144, R147, R148, R151, R152			PCS	40.0000 1 0.00 %	2004/08/06 N
0032-----	RD00099 SMD fixed resistor 1/10W 8.2K ±5% 0603 R261, R262, R279, R280, R419, R372, R374			PCS	7.0000 1 0.00 %	2004/10/11 N
0033-----	RD00101 SMD fixed resistor 1/10W 10K ±5% 0603 R81, R82, R83, R84, R85, R86, R87, R88, R89, R90, R91, R92, R93, R94, R95, R96, R97, R98, R99, R100, R101, R102, R103, R104, R107, R110, R113, R116, R283, R284, R285, R286, R287, R288, R289, R290, R291, R294, R298, R300, R303, R304, R362, R363, R364, R365, R397, R398, R426, R427, R452, R453, R454, R455			PCS	54.0000 1 0.00 %	2004/08/25 N
0034-----	RD00102 SMD fixed resistor 1/10W 12K ±5% 0603 R263, R264, R373, R375, R407, R409			PCS	6.0000 1 0.00 %	2004/10/11 N

Multi-Level BOM Structure Listing

Report No.: IEB0\_P02  
 Prepared by 020050[賴玉菁]

Date 2005/01/07  
 Page No.: 17 / 24

Item No. PF01717 Version  
 DESCRIPTION: AMX-180FX  
 AMX-180FX ALTO 230V

UNIT: PCS  
 Date: 2004/08/06

Version	Item No	Loss %	Ver.	Unit	Cardinal Usage Rate	Effective Date @:Phantom Layer Attrition Rate
0035-----	RD00103 SMD fixed resistor 1/10W 15K ±5% 0603 R221, R222, R223, R224, R360, R361			PCS	6.0000 1 0.00 %	2004/08/06 N
0036-----	RD00306 SMD fixed resistor 1/10W 20K ±5% 0603 R315, R316, R368, R369, R370, R371, R376, R377			PCS	8.0000 1 0.00 %	2004/08/06 N
0037-----	RD00105 SMD fixed resistor 1/10W 22K ±5% 0603 R307, R308, R309, R310			PCS	4.0000 1 0.00 %	2004/08/25 N
0038-----	RD00106 SMD fixed resistor 1/10W 27K ±5% 0603 R233, R234, R235, R236, R237, R238, R239, R240, R241, R242, R243, R244, R245, R246, R247, R248, R267, R268			PCS	18.0000 1 0.00 %	2004/08/25 N
0039-----	RD00353 SMD fixed resistor 1/10W 36K ±5% 0603 R273, R274, R399, R400			PCS	4.0000 1 0.00 %	2004/10/11 N
0040-----	RD00111 SMD fixed resistor 1/10W 47K ±5% 0603 R117, R118, R119, R120, R121, R122, R123, R124, R321, R322, R420, R421			PCS	12.0000 1 0.00 %	2004/08/06 N
0041-----	RD00113 SMD fixed resistor 1/10W 62K ±5% 0603 R410, R411, R412, R413			PCS	4.0000 1 0.00 %	2004/08/06 N
0042-----	RD00116 SMD fixed resistor 1/10W 100K ±5% 0603 R356, R357, R358, R359, R395, R396			PCS	6.0000 1 0.00 %	2004/08/06 N
0043-----	RD00119 SMD fixed resistor 1/10W 220K ±5% 0603 R380			PCS	1.0000 1 0.00 %	2004/08/06 N
0044-----	RD00125 SMD fixed resistor 1/10W 1.0M ±5% 0603 R177, R178, R179, R180, R181, R182, R183, R184, R185, R186, R187, R188			PCS	12.0000 1 0.00 %	2004/08/06 N
0045-----	RD00468 SMD precise resistor 1/10W 7.68K ±1% 0603 R428, R429, R435, R443			PCS	4.0000 1 0.00 %	2004/08/06 N
0046-----	RD00432 SMD precise resistor 1/10W 12.7K ±1% 0603 R225, R226, R227, R228, R229, R230, R231, R232			PCS	8.0000 1 0.00 %	2004/08/06 N

Multi-Level BOM Structure Listing

Report No.: IEB0\_P02  
 Prepared by 020050[賴玉菁]

Date 2005/01/07  
 Page No.: 18 / 24

Item No. PF01717 Version  
 DESCRIPTION: AMX-180FX  
 AMX-180FX ALTO 230V

UNIT: PCS  
 Date: 2004/08/06

Version	Item No	Loss %	Ver.	Unit	Cardinal Usage Rate	Effective Date @:Phantom Layer Attrition Rate
0047-----	RD00217 SMD precise resistor 1/10W 14.0K ±1% 0603 R253,R254,R265,R266			PCS	4.0000 1 0.00 %	2004/10/11 N
0048-----	RD00450 SMD precise resistor 1/10W 48.7K ±1% 0603 R317,R318			PCS	2.0000 1 0.00 %	2004/08/06 N
0049-----	RD00303 SMD precise resistor 1/10W 57.6K ±1% 0603 R319,R320			PCS	2.0000 1 0.00 %	2004/08/06 N
0050-----	SF00056 transistor MMBT3904(SOT-23)/(PHI) TR1, TR2, TR3, TR4, TR5, TR6, TR7, TR8, TR9, TR10, TR11, TR12, TR15, TR16, TR17, TR18			PCS	16.0000 1 0.00 %	2004/08/06 N
0051-----	SF00053 transistor MMBT3906(SOT-23)/(PHI) TR13, TR14, TR19			PCS	3.0000 1 0.00 %	2004/08/06 N
0052-----	SF00039 SMD field effect transistor MMBFJ112(SOT-23)/(FAIRCHILD) TR20, TR21, TR22, TR23, TR24			PCS	5.0000 1 0.00 %	2004/08/06 N
0053-----	SG00122 SMD integrated circuit NJM4580M-TE3 U1, U2, U3, U4, U5, U6, U7, U8, U9, U10, U11, U12, U13, U14, U15, U16, U17, U18, U19, U20, U21, U22, U23, U24, U25, U26, U27, U28			PCS	28.0000 1 0.00 %	2004/08/25 N
0054-----	SG00032 SMD integrated circuit LM339DR/(TI) U30, U31, U32, U33, U34, U35			PCS	6.0000 1 0.00 %	2004/08/06 N
0055-----	RD00115 SMD fixed resistor 1/10W 82K ±5% 0603 R378, R379			PCS	2.0000 1 0.00 %	2004/08/27 N
0056-----	RD00358 SMD precise resistor 1/10W 18.2K ±1% 0603 R305, R306			PCS	2.0000 1 0.00 %	2004/10/12 N
0057-----	RD00437 SMD precise resistor 1/10W 44.2K ±1% 0603 R269, R270			PCS	2.0000 1 0.00 %	2004/10/12 N
0058-----	RD00294 SMD precise resistor 1/10W 24.9K ±1% 0603 R406, R408			PCS	2.0000 1 0.00 %	2004/10/12 N

Multi-Level BOM Structure Listing

Report No.: IEB0\_P02  
 Prepared by 020050[賴玉菁]

Date 2005/01/07  
 Page No.: 19 / 24

Item No. PF01717 Version  
 DESCRIPTION: AMX-180FX  
 AMX-180FX ALTO 230V

UNIT: PCS  
 Date: 2004/08/06

Version	Item No	Loss %	Ver.	Unit	Cardinal Usage Rate	Effective Date @:Phantom Layer Attrition Rate
0059-----	RD00098 SMD fixed resistor 1/10W 7.5K ±5% 0603 R271,R272			PCS	2.0000 1 0.00 %	2004/10/12
0022-----	RC00465 potentiometer B5K RD09F113A225-5K2BT(SAS1);30F-C VR6,VR13,VR20,VR27,VR34,VR41,VR48,VR55			PCS	8.0000 1 0.00 %	2004/10/16
0045-----	HK00832 PC board P-FX-DSP-DIP			PCS	1.0000 1 0.00 %	2004/08/06 N
0001-----	HC00697 row pin (single)#5100 2.0 90° 16P(gold-pated)2.5/9.5mm 2mm CN1			PCS	1.0000 1 0.00 %	2004/10/14 N
0002-----	HK00833 PC board P-FX-DSP-SMD			PCS	1.0000 1 0.00 %	2003/12/16 N
0001-----	HB01109 PCB FX-DSP(1*10)_VER031014			PCS	1.0000 1 0.00 %	2003/12/16 N
0002-----	C100051 SMD ceramic capacitor 0603 22PF/50V NPO ±5% C329,C330,C331,C332			PCS	4.0000 1 0.00 %	2003/12/16 N
0003-----	C100053 SMD ceramic capacitor 0603 33PF/50V NPO ±5% C348,C349			PCS	2.0000 1 0.00 %	2003/12/16 N
0004-----	C100129 SMD ceramic capacitor 0603 0.0015uF/-50V X7R ±10% C345,C346,C347			PCS	3.0000 1 0.00 %	2003/12/16 N
0005-----	C100075 SMD ceramic capacitor 0603 0.1uF/50V Y5V +80,-20% C333,C334,C336,C337,C338,C339,C340,C341			PCS	8.0000 1 0.00 %	2003/12/16 N
0006-----	CL00002 SMD tantalum capacitor 1.0uF/16V case A C352,C353			PCS	2.0000 1 0.00 %	2003/12/16 N
0007-----	CL00006 SMD tantalum capacitor 10uF/16V case B2 C350,C351			PCS	2.0000 1 0.00 %	2003/12/16 N
0008-----	RD00068 SMD fixed resistor 1/10W 100 ±5% 0603 R420,R421			PCS	2.0000 1 0.00 %	2003/12/16 N
0009-----	RD00073 SMD fixed resistor 1/10W 220 ±5% 0603 R426			PCS	1.0000 1 0.00 %	2003/12/16 N

Multi-Level BOM Structure Listing

Report No.: IEBO\_P02  
 Prepared by 020050[賴玉菁]

Date 2005/01/07  
 Page No.: 20 / 24

Item No. PF01717 Version  
 DESCRIPTION: AMX-180FX  
 AMX-180FX ALTO 230V

UNIT: PCS  
 Date: 2004/08/06

Version	Item No	Loss %	Ver.	Unit	Cardinal	Effective Date
Component Remark	Item Descri				Usage Rate	@:Phantom Layer Attrition Rate
0010-----	RD00083 SMD fixed resistor 1/10W 1.0K ±5% 0603 R418			PCS	1.0000 1 0.00 %	2003/12/16 N
0011-----	RD00088 SMD fixed resistor 1/10W 2.2K ±5% 0603 R424			PCS	1.0000 1 0.00 %	2003/12/16 N
0012-----	RD00091 SMD fixed resistor 1/10W 3.3K ±5% 0603 R422,R423			PCS	2.0000 1 0.00 %	2003/12/16 N
0013-----	RD00093 SMD fixed resistor 1/10W 4.7K ±5% 0603 R416			PCS	1.0000 1 0.00 %	2003/12/16 N
0014-----	RD00098 SMD fixed resistor 1/10W 7.5K ±5% 0603 R419			PCS	1.0000 1 0.00 %	2003/12/16 N
0015-----	RD00101 SMD fixed resistor 1/10W 10K ±5% 0603 R397,R398,R399,R400,R401,R402,R403,R404,R405,R406, R407,R408,R409,R410,R411,R412,R413,R414			PCS	18.0000 1 0.00 %	2003/12/16 N
0016-----	RD00111 SMD fixed resistor 1/10W 47K ±5% 0603 R415			PCS	1.0000 1 0.00 %	2003/12/16 N
0017-----	RD00124 SMD fixed resistor 1/10W 820K ±5% 0603 R431			PCS	1.0000 1 0.00 %	2003/12/16 N
0018-----	RD00125 SMD fixed resistor 1/10W 1.0M ±5% 0603 R417			PCS	1.0000 1 0.00 %	2003/12/16 N
0019-----	RD00126 SMD fixed resistor 1/10W 2.2M ±5% 0603 R425			PCS	1.0000 1 0.00 %	2003/12/16 N
0020-----	SG00122 SMD integrated circuit NJM4580M-TE3 U44,U45,U46			PCS	3.0000 1 0.00 %	2003/12/16 N
0021-----	SG00094 SMD integrated circuit NE555DT/(ST) U43			PCS	1.0000 1 0.00 %	2003/12/16 N

Multi-Level BOM Structure Listing

Report No.: IEBO\_P02  
 Prepared by 020050[賴玉菁]

Date 2005/01/07  
 Page No.: 21 / 24

Item No. PF01717 Version  
 DESCRIPTION: AMX-180FX  
 AMX-180FX ALTO 230V

UNIT: PCS  
 Date: 2004/08/06

Version	Item No	Loss %	Ver.	Unit	Cardinal	Effective Date
Component Remark	Item Descri				Usage Rate	@:Phantom Layer
					Attrition	Rate
0022-----	SG00005 SMD integrated circuit BA10393F/(FOHM) U47			PCS	1.0000 1 0.00 %	2003/12/16 N
0023-----	SG00068 SMD integrated circuit 74HC14DT U49			PCS	1.0000 1 0.00 %	2003/12/16 N
0024-----	SG00164 SMD integrated circuit 74HC109D U48			PCS	1.0000 1 0.00 %	2003/12/16 N
0025-----	SE00028 diode BAS316,115 D7,D15			PCS	2.0000 1 0.00 %	2003/12/16 N
0026-----	SE00009 SMD rectifier diode DAN202K/T-146 D16			PCS	1.0000 1 0.00 %	2003/12/16 N
0027-----	SE00007 SMD rectifier diode RB400D(D3A) D10			PCS	1.0000 1 0.00 %	2003/12/16 N
0028-----	SF00010 SMD transistor 2SC2412K(SOT-23)/(R) TR16,TR17			PCS	2.0000 1 0.00 %	2003/12/16 N
0046-----	HK01409 PC board P-313123-DIP(AMX-140FX)			PCS	1.0000 1 0.00 %	2004/08/06 N
0001-----	SC00004 quartz crystalloid 16.00MHZ LP-3.5S(HC-49US) XT1			PCS	1.0000 1 0.00 %	2003/12/16 N
0002-----	HC00484 row pin (single)#2200 2.54 180° 2*8P 13.5/19mm CN2			PCS	1.0000 1 0.00 %	2003/12/16 N
0003-----	SG00193 SMD integrated circuit AT27LV010A-90JC/L-8 IC4			PCS	1.0000 1 0.00 %	2003/12/16
0001-----	SG00139 SMD integrated circuit AT27LV010A-90JC			PCS	1.0000 1 0.00 %	2003/05/30 N
0004-----	HK04041 PC board P-313123-AI(L-8)			PCS	1.0000 1 0.00 %	2003/12/16
0001-----	HK03894 PC board P-313123-SMD(L-8)			PCS	1.0000 1 0.00 %	2003/06/18 N

Multi-Level BOM Structure Listing

Report No.: IEB0\_P02  
 Prepared by 020050[賴玉菁]

Date 2005/01/07  
 Page No.: 22 / 24

Item No. PF01717 Version  
 DESCRIPTION: AMX-180FX  
 AMX-180FX ALTO 230V

UNIT: PCS  
 Date: 2004/08/06

Version	Item No	Loss %	Ver.	Unit	Cardinal	Effective Date
Component Remark	Item Descri				Usage Rate	@:Phantom Layer Attrition Rate
0001-----	HB00895 PCB 313123/2(1*6)			PCS	1.0000 1	2003/04/29 N
0002-----	C100049 SMD ceramic capacitor 0603 15PF/50V NPO ±5% C8,C9			PCS	2.0000 1	2003/04/29 N
0003-----	C100075 SMD ceramic capacitor 0603 0.1uF/50V Y5V +80,-20% C17,C15,C18,C6,C10,C22,C20,C13,C14,C1,C3,C4,C11			PCS	13.0000 1	2003/04/29 N
0004-----	RD00061 SMD fixed resistor 1/10W 10 ±5% 0603 R22			PCS	1.0000 1	2003/04/29 N
0005-----	RD00068 SMD fixed resistor 1/10W 100 ±5% 0603 R12,R14,R7,R8,R34,R17,R13,R33			PCS	8.0000 1	2003/04/29 N
0006-----	RD00073 SMD fixed resistor 1/10W 220 ±5% 0603 R3			PCS	1.0000 1	2003/04/29 N
0007-----	RD00085 SMD fixed resistor 1/10W 1.5K ±5% 0603 R16,R15,R21,R20,R4,R19,R10,R18,R9,R5			PCS	10.0000 1	2003/04/29 N
0008-----	RD00088 SMD fixed resistor 1/10W 2.2K ±5% 0603 R28,R27,R23,R24,R29,R30,R25,R26			PCS	8.0000 1	2003/04/29 N
0009-----	RD00101 SMD fixed resistor 1/10W 10K ±5% 0603 R32,R31,R1			PCS	3.0000 1	2003/04/29 N
0010-----	RD00125 SMD fixed resistor 1/10W 1.0M ±5% 0603 R2			PCS	1.0000 1	2003/04/29 N
0011-----	RE00006 SMDrow resistor1/16W 100 *4 ±5% 8P 0603 AR1,AR2			PCS	2.0000 1	2003/04/29 N
0012-----	SE00011 SMD rectifier diode RLS4148 0.5A (LL-34) D1			PCS	1.0000 1	2003/04/29 N
0013-----	SG00068 SMD integrated circuit 74HC14DT IC1			PCS	1.0000 1	2003/04/29 N



Multi-Level BOM Structure Listing

Report No.: IEB0\_P02  
 Prepared by 020050[賴玉菁]

Date 2005/01/07  
 Page No.: 23 / 24

Item No. PF01717 Version  
 DESCRIPTION: AMX-180FX UNIT: PCS  
 AMX-180FX ALTO 230V Date: 2004/08/06

Version	Item No	Loss %	Ver.	Unit	Cardinal	Effective Date
Component Remark	Item Descri				Usage Rate	@:Phantom Layer Attrition Rate
0014-----	SG00138 SMD integrated circuit AS4LC256K16E0-60JC IC6			PCS	1.0000 1 0.00 %	2003/04/29 N
0015-----	SG00166 SMD integrated circuit TY-2 ALTO(GMCODE:105022) IC3			PCS	1.0000 1 0.00 %	2003/04/29 N
0001-----	SG00147 SMD integrated circuit CHEF DSP(GMCODE:105022)			PCS	1.0000 1 0.00 %	2003/12/07 N
0016-----	SG00037 SMD integrated circuit LD1117DT33C(T0-252) IC2			PCS	1.0000 1 0.00 %	2003/04/29 N
0017-----	HC00233 IC socket (SMD) PLCC32 (D03-32T.A.4) IC4			PCS	1.0000 1 0.00 %	2003/04/29 N
0018-----	SG00016 SMD integrated circuit UDA1345TS (Philips) IC5			PCS	1.0000 1 0.00 %	2003/04/29 N
0002-----	CB00165 electrolytic capacitor 10uF/16V 4*5mm C7			PCS	1.0000 1 0.00 %	2004/08/13
0003-----	CB00166 electrolytic capacitor 100uF/16V 6*5mm C19,C12,C5,C24,C16,C21,C25,C26,C28,C2			PCS	10.0000 1 0.00 %	2004/08/13
0005-----	NE11475 label			PCS	1.0000 1 0.00 %	2003/12/16
0001-----	L-8 NH00035 bond paper 0.06*1M			M	1.0000 410 0.00 %	2003/06/26 N
0002-----	NI00017 membrane 0.055*1M			M	1.0000 410 0.00 %	2003/06/26 N
0047-----	HA01820 P.V.C single wave wired UL1015 1 120 green			PCS	1.0000 1 0.00 %	2004/09/03
0048-----	NF01882 instruction AMX-180/180FX ALTO_V1.1			PCS	1.0000 1 0.00 %	2004/09/03
0001-----	NH00149 paper 889*640mm			張令	2.0000 1 0.00 %	2004/09/18 N
0049-----	NB03166 cushion AMX-180 left_V1.0			PCS	1.0000 1 0.00 %	2004/09/03
0050-----	NB03165 cushion AMX-180 right_V1.0			PCS	1.0000 1 0.00 %	2004/09/03

Multi-Level BOM Structure Listing

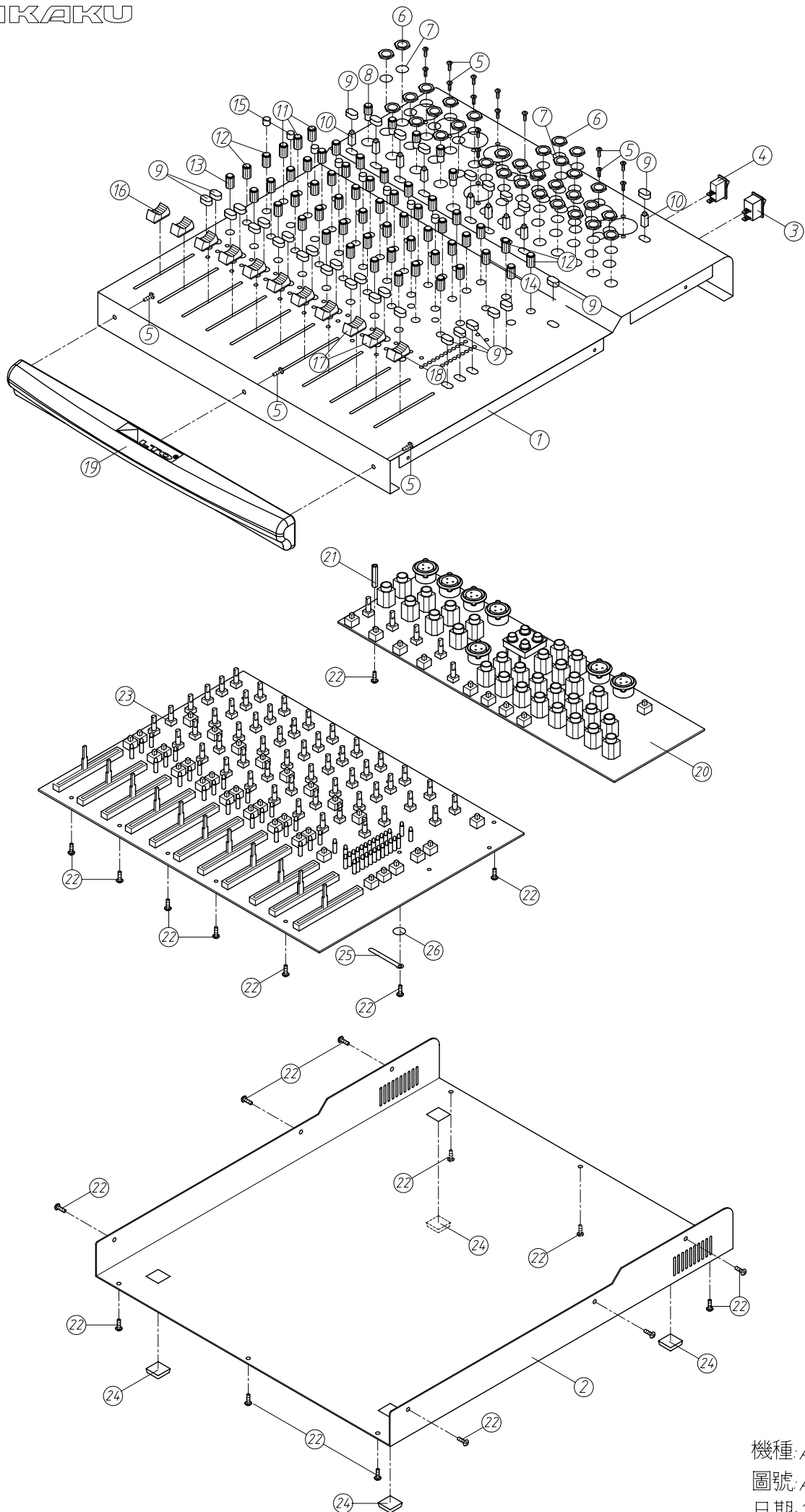
Report No.: IEBO\_P02  
 Prepared by 020050[賴玉菁]

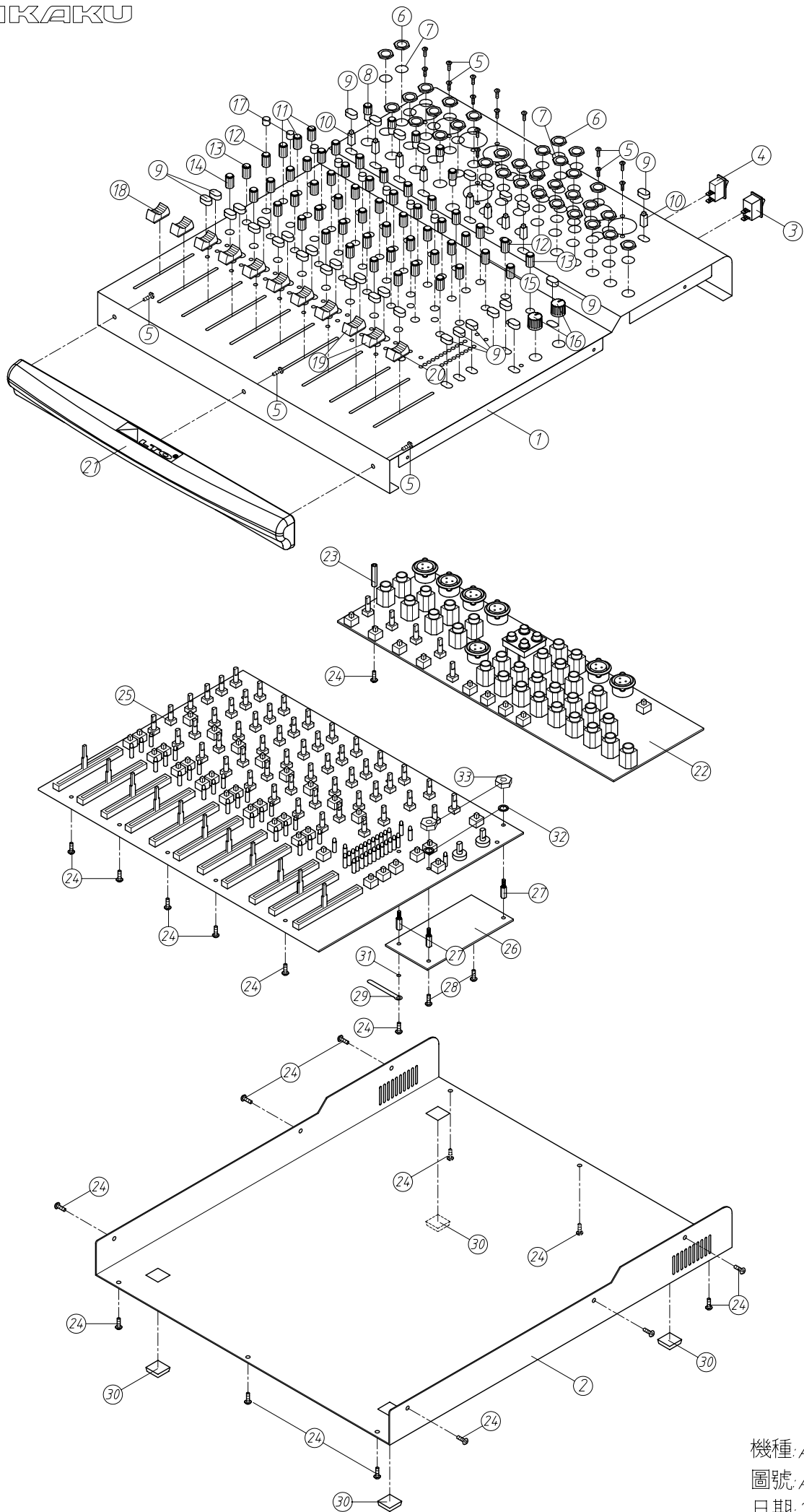
Date 2005/01/07  
 Page No.: 24 / 24

Item No. PF01717 Version  
 DESCRIPTION: AMX-180FX  
 AMX-180FX ALTO 230V

UNIT: PCS  
 Date: 2004/08/06

Version	Item No	Loss %	Ver.	Unit	Cardinal	Effective Date
Component Remark	Item Descri				Usage Rate	@:Phantom Layer
					Attrition	Rate
0051-----	AD00012 twin adhesive 90*120mm_V1.0			M 圈	0.0024 1	2004/11/03
0052-----	NA00279 clip-chain bag 0.04t*100*150mm_V1.0			PCS	1.0000 1	2004/09/07
0053-----	ND00234 non wonen 0.35t*294*80mm			PCS	1.0000 1	2004/10/12
0054-----	NA00127 PE bag 0.1t*610*200mm			PCS KG	1.0000 1	2004/10/22
0055-----	MI02095 fixed bracket AMX-180 right_V1.0			PCS	1.0000 1	2004/10/22
0001-----	MI02094 fixed bracket AMX-180 right_V1.0			PCS	1.0000 1	2004/04/06 N
0001-----	MJ00058 iron board 1*2135*1220 20.45kg			PCS KG	1.0000 50	2004/04/14 N
0056-----	MI02093 fixed bracket AMX-180 left_V1.0			PCS	1.0000 1	2004/10/22
0001-----	MI02092 fixed bracket AMX-180 left_V1.0			PCS	1.0000 1	2004/04/06 N
0001-----	MJ00058 iron board 1*2135*1220 20.45kg			PCS KG	1.0000 55	2004/04/14 N





Mechanical Parts List

Model No.		ALTO AMX-180		
NO	Item No	Item Description		pcs
1	MA04586	panel	AMX-180FX ALTO_V1.1	1
2	MB03115	rear board	AMX-180	1
3	HI00026	power switch	RA12KKATOF 2P	1
4	HI00171	power switch	R612KKATOF1	1
5	MG00061	screw	M3*10	18
6	ME00060	nut	JY-6351G-02-250	29
7	MF00061	washer	JY-6351G-02-250	29
8	NI02714	knob	φ10*13.5mm	5
9	NI01863	key	φ5.5*W10*7.5	32
10	NI01862	key	5.5*5.5*14.5	9
11	NI02083	knob	φ10.5*18mm	24
12	NI02081	knob	φ10.5*18mm	20
13	NI02082	knob	φ10.5*18mm	8
14	NI02817	knob	φ10.5*18mm	2
15	NI02377	knob	φ5.5*7.5mm(内3.3*3.3mm)	8
16	NI02309	knob	24*11.5*11	8
17	NI02352	knob	24*11.5*11	2
18	NI02353	knob	24*11.5*11	1
19	NI01945	handle	AMX-180;180FX_V1.0	1
20	HK04386	PC board	P-AMX180PU1-DIP	1
21	MG00247	copper pillar	M3*10*0.5PHsingle length16	1
22	MG00041	screw	M3*6	28
23	HK04348	PC board	P-AMX180MN1-DIP	1
24	NI00501	foot cushion	12.7*9*3t(SF-004)	4
25	MJ00808	power clip	WL3-32T	1
26	NC00080	wood washer	φ3.17*φ8.2*1	1
27				
28				
29				
30				
31				
32				
33				
34				
35				
36				
37				
38				
39				
40				

**Mechanical Parts List**

Model No.		ALTO AMX-180FX		
NO	Item No	Item Description		pcs
1	MA04586	panel	AMX-180FX ALTO_V1.1	1
2	MB03115	rear board	AMX-180	1
3	HI00026	power switch	RA12KKATOF 2P	1
4	HI00171	power switch	R612KKATOF1	1
5	MG00061	screw	M3*10	18
6	ME00060	nut	JY-6351G-02-250	30
7	MF00061	washer	JY-6351G-02-250	30
8	NI02714	knob	φ10*13.5mm	5
9	NI01863	key	φ5.5*W10*7.5	33
10	NI01862	key	5.5*5.5*14.5	9
11	NI02083	knob	φ10.5*18mm	24
12	NI02081	knob	φ10.5*18mm	10
13	NI02633	knob	φ10.5*18	10
14	NI02082	knob	φ10.5*18mm	8
15	NI02817	knob	φ10.5*18mm	2
16	NI02386	konb	φ14*13mm	2
17	NI02377	knob	φ5.5*7.5mm(内3.3*3.3mm)	8
18	NI02309	knob	24*11.5*11	8
19	NI02352	knob	24*11.5*11	2
20	NI02353	knob	24*11.5*11	1
21	NI01945	handle	AMX-180;180FX_V1.0	1
22	HK04391	PC board	P-AMX180FXPU1-DIP	1
23	MG00247	copper pillar	M3*10*0.5PHsingle length16	1
24	MG00041	screw	M3*6	28
25	HK04388	PC board	P-AMX180FXMN1-DIP	1
26	HK03894	PC board	P-313123-SMD(L-8)	1
27	MG00243	copper pillar	M3*5*0.5PH	1
28	MG00036	screw	M3*4	1
29	MJ00808	power clip	WL3-32T	1
30	NI00501	foot cushion	12.7*9*3t(SF-004)	4
31	NC00080	wood washer	φ3.17*φ8.2*1	1
32	MF00037	washer	φ3*φ5*1t	2
33	ME00015	nut	3m/m	2
34				
35				
36				
37				
38				
39				
40				