

# **Service** *Manual*

MODEL: CYCLONE160/240/320

## CONTENT

1. Introduction .....	1
2. Specification .....	2
3. Block Diagram .....	4
4. Schematic Diagram .....	5
5. Wiring Diagram .....	33
6. <b>Printed Circuit Board</b> .....	37
7. <b>Exploded View &amp; Mechanical Parts List</b> .....	44
8. <b>Electrical Parts List</b> .....	53

## 1. Introduction

- Pre-insert preamp Level Set LED
- Extremely high headroom offering excellent dynamic range.
- Pre-fader, pre-EQ channel insert.
- MIC input channels with golden plated XLRs and balanced LINE inputs.
- 2-band fixed and 2-band sweep EQ on mono channels.
- 4 Stereo input channels with left-right balanced TRS jacks, and mono MIC
- Ultra-low noise discrete MIC Preamps with +48V Phantom Power
- 100mm high precision faders
- Each input channel features Mute & SOLO switches, Overload & signal present LEDs and low cut filters.
- Fader CLIP LED
- SUB 1-2-3-4 & MAIN L-R signal assignment switch.
- 6 AUX all individually assignable pre/post with AFL mode.
- Channel insert on each mono channel for connection of outboard equipment.
- Main Mix insert for flexible connection of outboard equipment.
- 4 AUX return inputs can output from AUX 1-6 and PLF output
- Fully assignable Oscillator and Talkback sections.
- XLR socket for lighting lamps.
- 2-TRACK IN path.
- Highly accurate 8 segment output level meters.

## 2. Specification

### Electronics

<b>Input</b>	
Input Impedance	Mic 2kohm Balanced
	Line 10kohm Balanced
Input Gain Mic	Continuously variable from 0dB to +60dB
Input Gain Line - Mono Channel	Continuously variable from -25dB to +35dB
Input Gain Line - Stereo Channel	Continuously variable from -20dB to +20dB
Maximum Input Level	Mic +22dBu
	Line (Mono Channel) +22dBu
	Line (Stereo Channel) +22dBu
Insert send impedance	100ohm Unbalanced
Insert send level / Max.	-10dBu / +22dBu
Insert return impedance	10kohm Unbalanced
Insert return level / Max.	-10dBu / +22dBu
CMR at 1kHz Line (20Hz - 20kHz)	> 80dB
Frequency response	Mic to Mix 20Hz - 20kHz +0/-1dB
Signal/Noise Ratio (20Hz - 20kHz)	Mic EIN ref. 150ohms - 101dBu (gain +60dB)
System Noise (20Hz - 20kHz)	
Summing Noise	-85dBu (16 channels routed with faders down)
Line to Mix Noise	-83dBu (16 channels routed at 0dB, pan centre)
Distortion at 1kHz	Mic to Insert (+30dB unity gain, +20dBu output) <0.01%
	Mic to Mix (+30dB unity gain, +20dBu output) Typ 0.03%
Crosstalk at 1kHz channel to channel	> -75dB
Mix to Mix	> -78dB
Channel to Mix	> -80dB
Fader Attenuation	> 100dB

<b>Output (Nominal Signal Level Mic -60dBu to 0dBu - Line 0dBu)</b>	
Output Impedance	All Line Outputs 100ohm Balanced
Insert send impedance	100ohm Unbalanced
Insert send level / Max.	+22dBu
Insert return impedance	10kohm Unbalanced
Insert return level / Max.	+22dBu
Maximum Output Level Master Outputs on XLR	+22dBu
All other Outputs on XLR	+22dBu
All Outputs on 1/4 inch jacks	+22dBu
Headphones	+22dBu/600ohm

<b>Equaliser - Mono Channel</b>	
Treble - shelving	<b>+15/-15dB@15KHz</b>
Hi Mid - peak/dip	<b>+15/-15dB</b> - frequency range <b>800 - 8kHz</b> - bandwidth <b>1 octave</b>
Lo Mid - peak/dip	<b>+15/-15dB</b> - frequency range <b>160 - 1.6kHz</b> - bandwidth <b>1 octave</b>
Bass - shelving	<b>+15/-15dB@ 80Hz</b>
Hi Pass Filter	slope <b>12dB/Oct.</b>



<b>Equaliser - Stereo Channel</b>	
Treble - shelving	<b>+15/-15dB @ 12kHz</b>
Hi Mid - peak/dip	<b>+15/-15dB @ 3kHz</b>
Lo Mid - peak/dip	<b>+15/-15dB @ 400Hz</b>
Bass - shelving	<b>+15/-15dB @ 80Hz</b>
Hi Pass Filter (for mono input only)	slope <b>12dB/Oct.</b>

Due to ▲LTO policy of continual research and product improvement, specification, features and mixer layout may be subject to change without notice.

### Features and Connectors

<b>Inputs</b>					
<b>Mono ch.</b>		<b>Stereo ch.</b>		<b>St. Fx. Ret.</b>	<b>Tape</b>
<b>160</b>	<b>8</b> (w. XLR & 1/4" TRS jack)	<b>8</b> (stereo in 2x1/4" TRS jack & mono in XLR )		<b>8</b>	<b>2</b>
<b>240</b>	<b>16</b> (w. XLR & 1/4" TRS jack)	<b>8</b> (stereo in 2x1/4" TRS jack & mono in XLR )		<b>8</b>	<b>2</b>
<b>320</b>	<b>24</b> (w. XLR & 1/4" TRS jack)	<b>8</b> (stereo in 2x1/4" TRS jack & mono in XLR )		<b>8</b>	<b>2</b>

	<b>Busses</b>			<b>Output</b>				
	<b>Grps</b>	<b>Master</b>	<b>Auxes</b>	<b>Grps</b>	<b>Master</b>	<b>Auxes</b>	<b>Tape</b>	<b>Mon</b>
<b>160</b>	4	2	6	4 (1/4"TRS jack)	2 (XLR)	6 (1/4"TRS jack)	2 (RCA jack)	2 (1/4"TRS jack)
<b>240</b>	4	2	6	4 (1/4"TRS jack)	2 (XLR)	6 (1/4"TRS jack)	2 (RCA jack)	2 (1/4"TRS jack)
<b>320</b>	4	2	6	4 (1/4"TRS jack)	2 (XLR)	6 (1/4"TRS jack)	2 (RCA jack)	2 (1/4"TRS jack)

### General

	<b>Dimensions (W × D × H)</b>		<b>Weight</b>		<b>Power</b>
	In inches	in mm.	Lbs.	Kg.	Consumption
CYCLONE 160	<b>17.3" × 28.7" × 5.3"</b>	<b>439.5 × 730 × 135</b>	<b>28.66</b>	<b>13</b>	<b>49W</b>
CYCLONE 240	<b>24.4" × 28.7" × 5.3"</b>	<b>618.5 × 730 × 135</b>	<b>39.68</b>	<b>18</b>	<b>64W</b>
CYCLONE 320	<b>32" × 28.7" × 5.3"</b>	<b>812 × 730 × 135</b>	<b>50.71</b>	<b>23</b>	<b>77W</b>

### Power supply (AC/DC)

	<b>Dimensions (W × D × H )</b>		<b>Weight</b>	<b>Main voltage</b>
	In inches	in mm.	Kg.	
CYCLONE • PS	<b>12.2" × 2.7" × 8.3"</b>	<b>209 × 190 × 67</b>	<b>2.27</b>	USA/Canada 100 - 120V ~, 60Hz Europe 210 - 230V ~, 50Hz U.K./Australia 240V ~, 50Hz

### Options

**Flight case**

**12 V Desk Lamp**

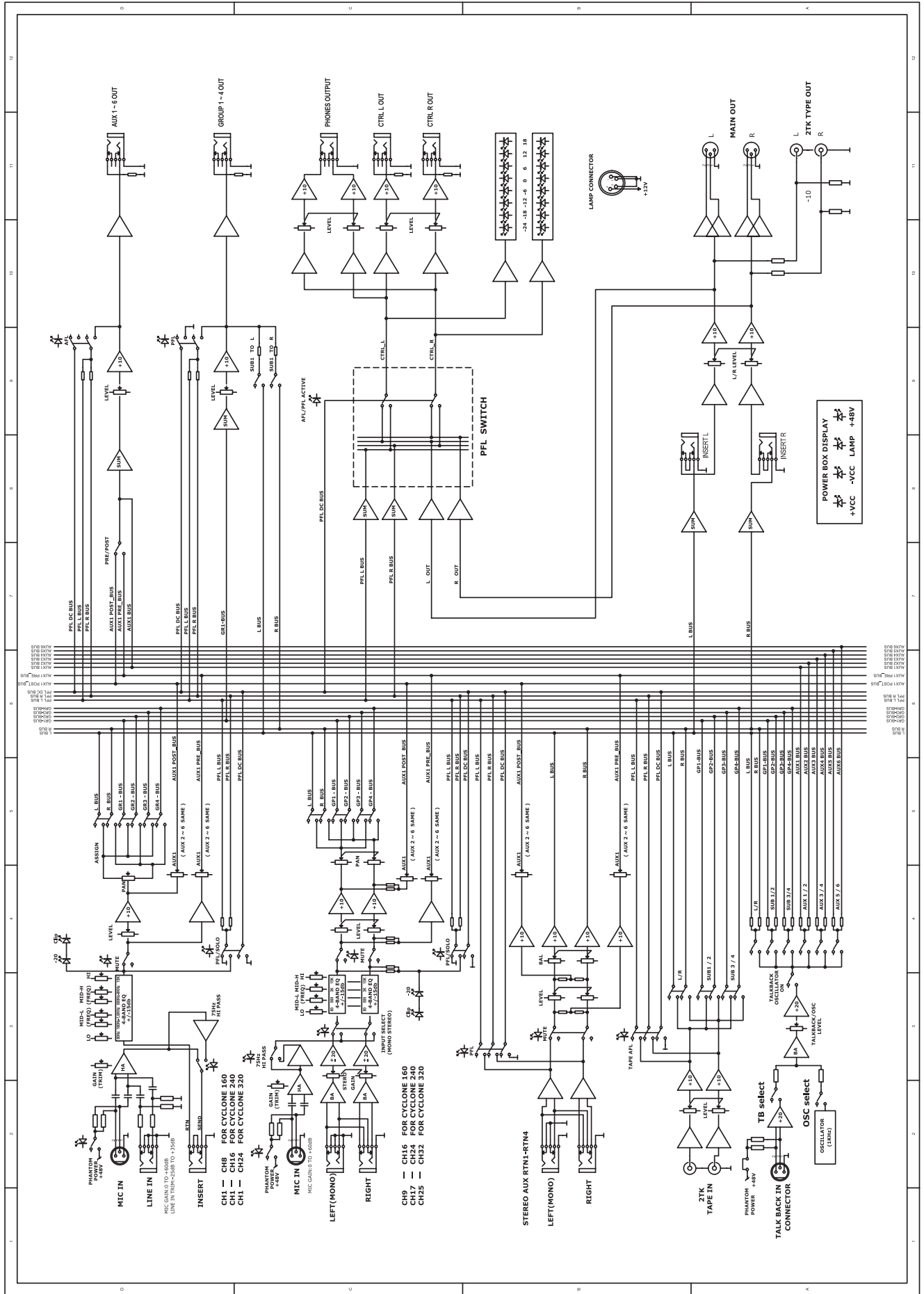
**External Power Supply**

**160FC 240FC 320FC**

**12V/6W (4-Pin XLR)**

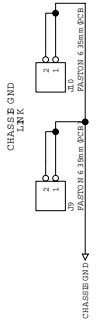
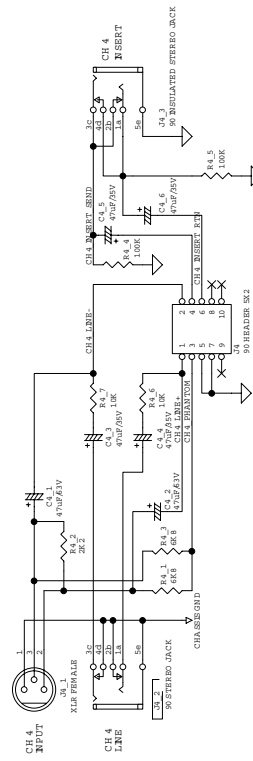
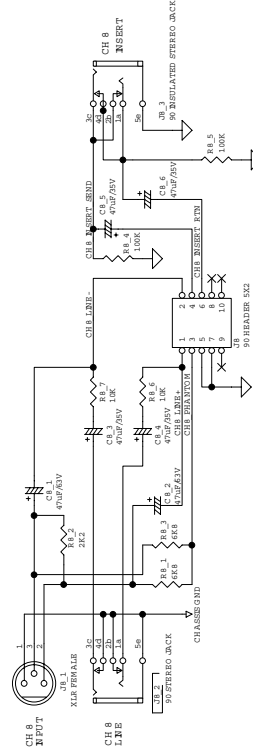
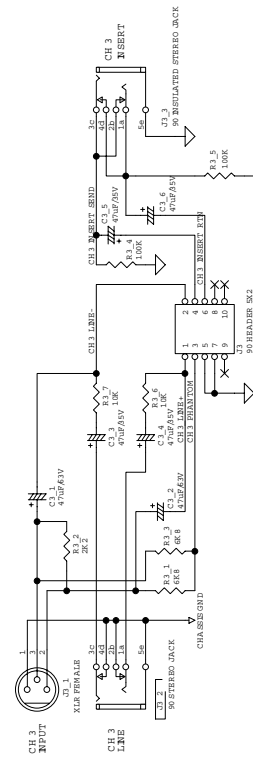
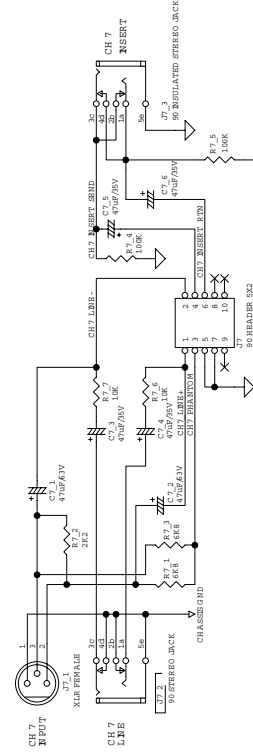
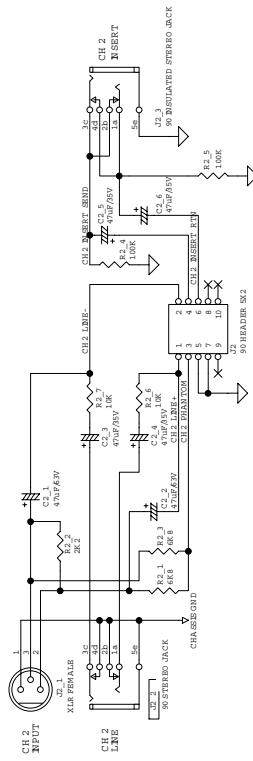
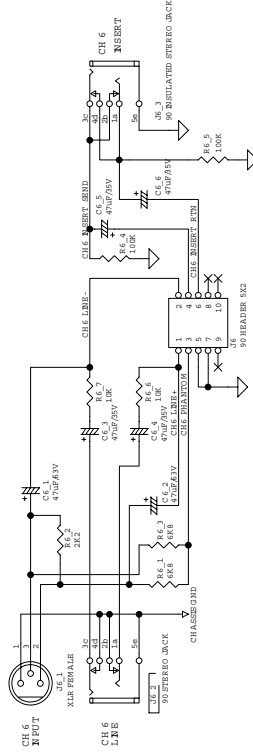
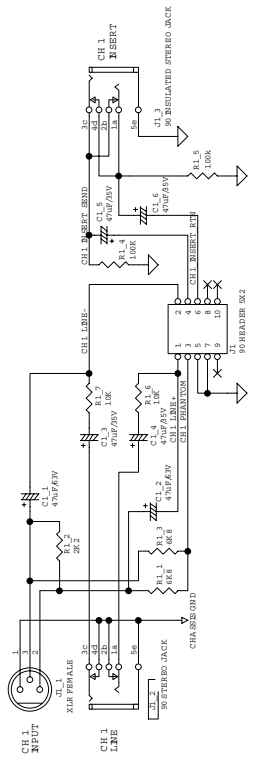
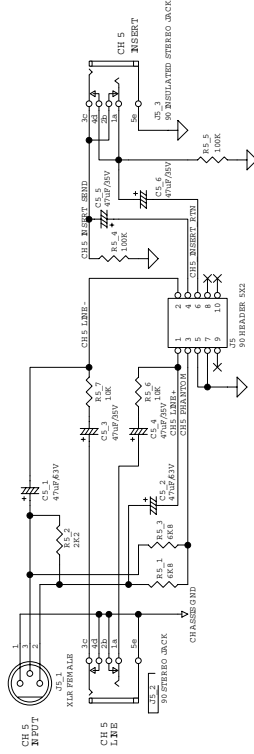
**160EPS 240EPS 320EPS**

# 3. Block Diagram



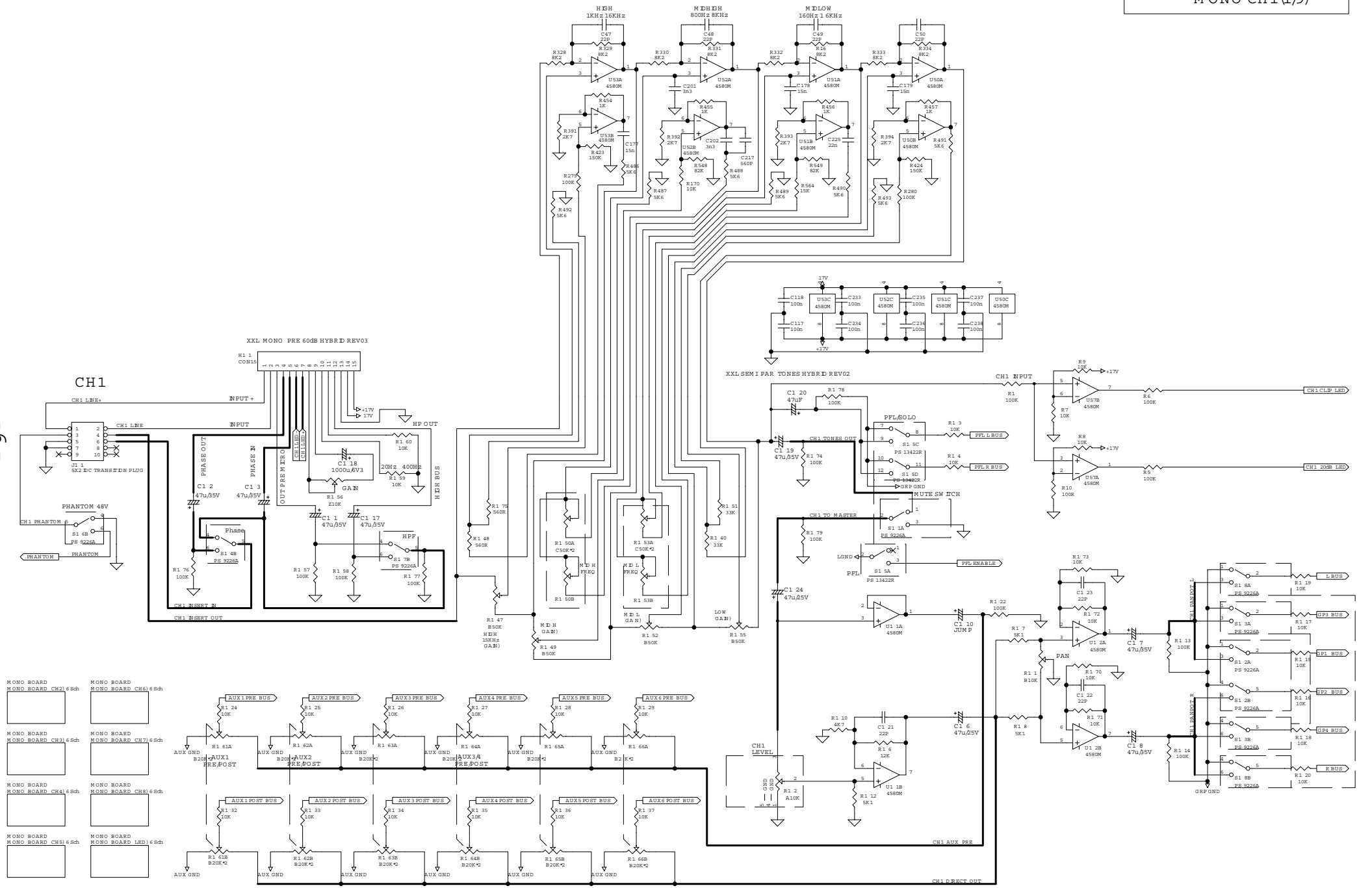
# 4. Schematic Diagram

MONO\_CONNECTOR



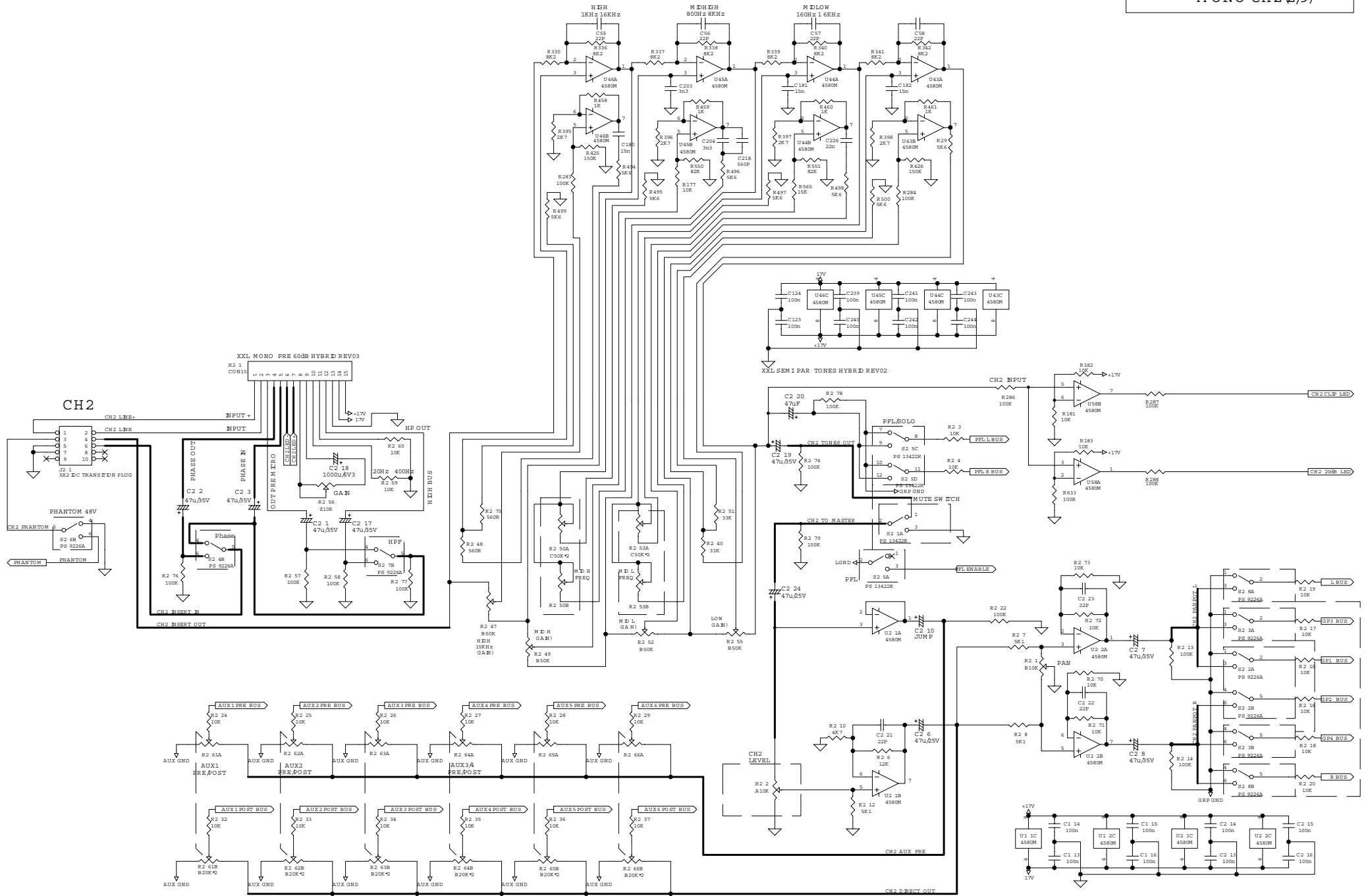
MONO CH1 (1/9)

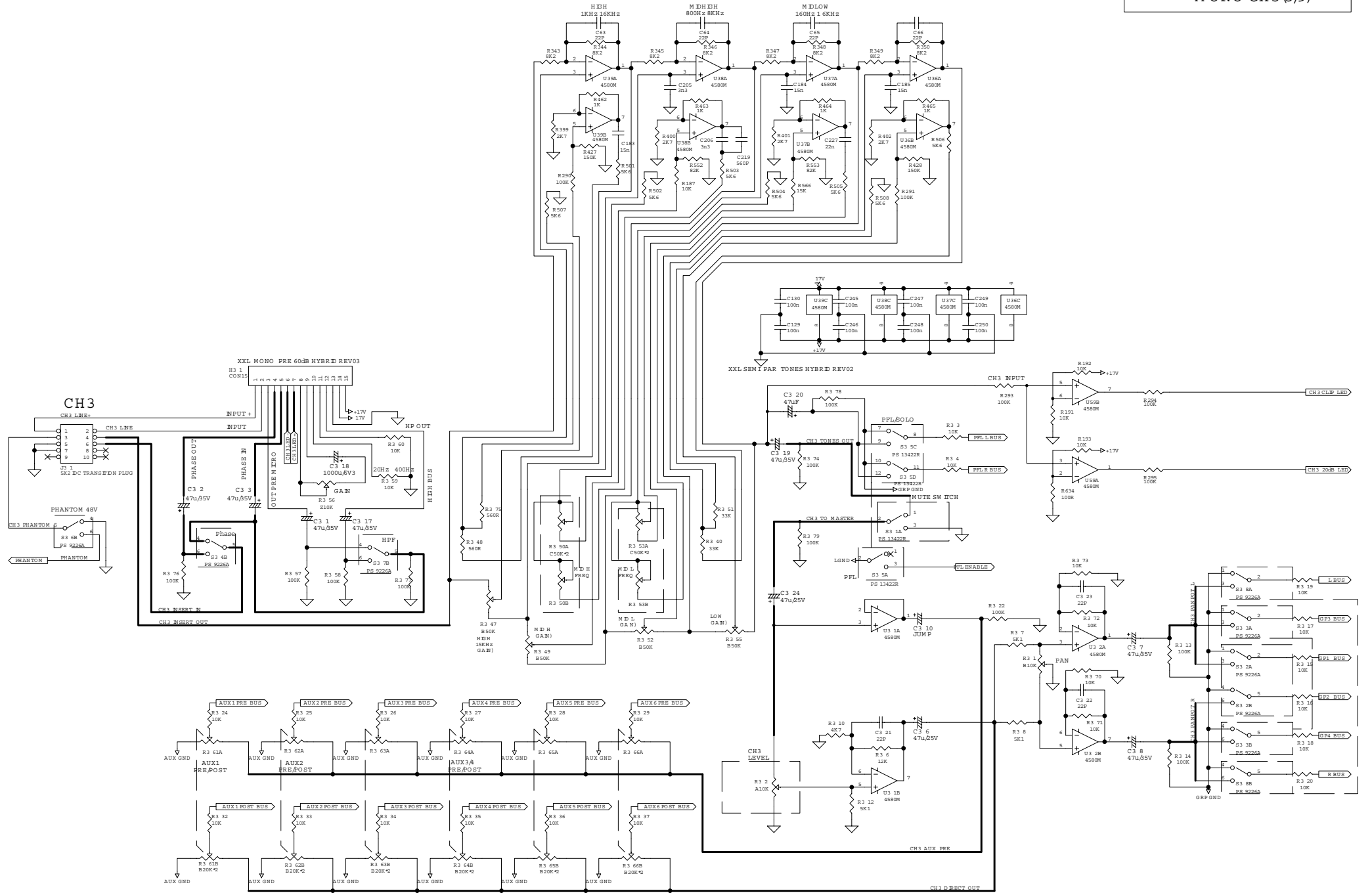
- 9 -



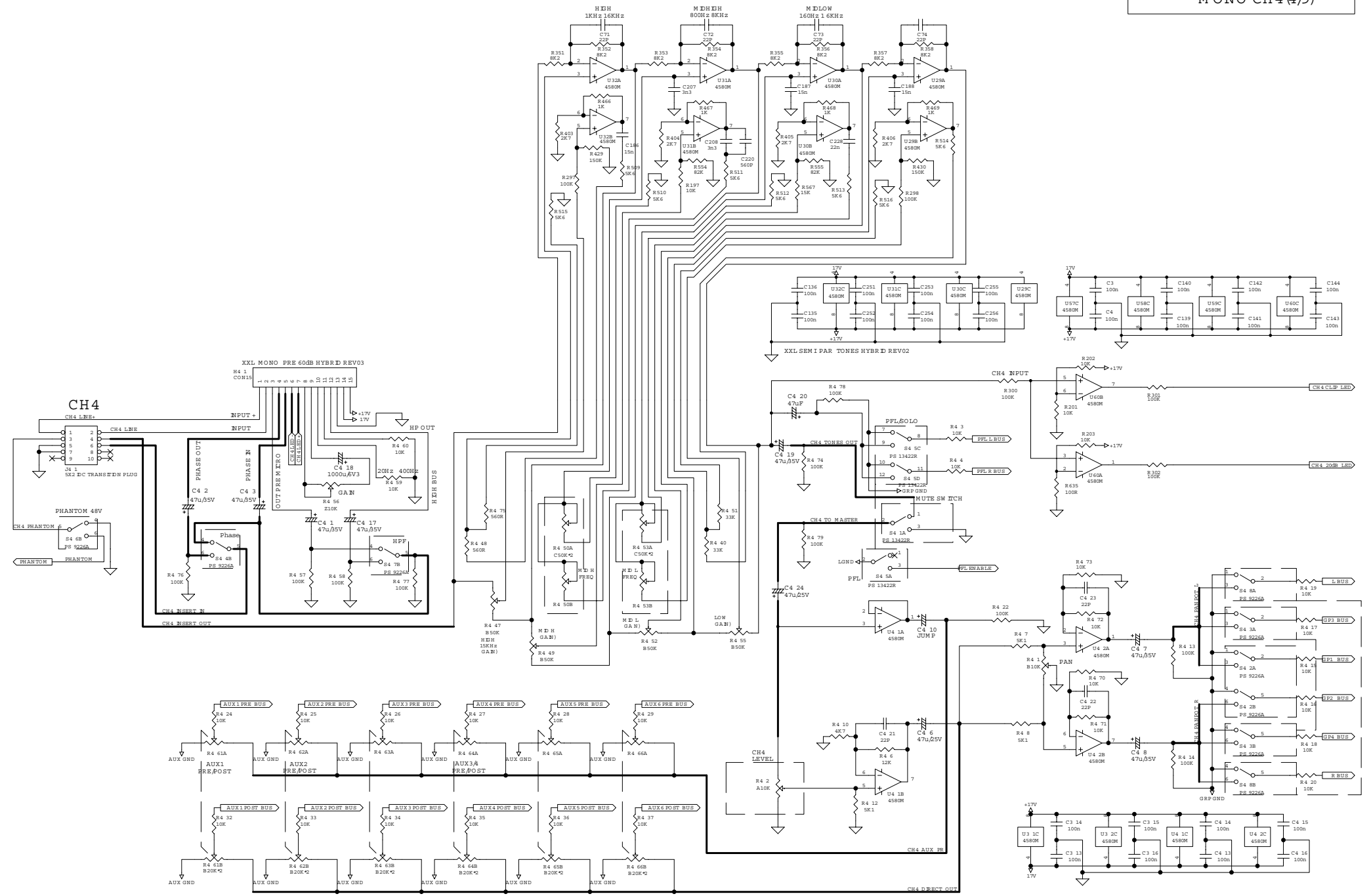
- MONO BOARD MONO BOARD (CH2) 6.8ch
- MONO BOARD MONO BOARD (CH6) 6.8ch
- MONO BOARD MONO BOARD (CH3) 6.8ch
- MONO BOARD MONO BOARD (CH7) 6.8ch
- MONO BOARD MONO BOARD (CH4) 6.8ch
- MONO BOARD MONO BOARD (CH8) 6.8ch
- MONO BOARD MONO BOARD (CH5) 6.8ch
- MONO BOARD MONO BOARD (L6) 6.8ch

MONO CH2 (2/9)

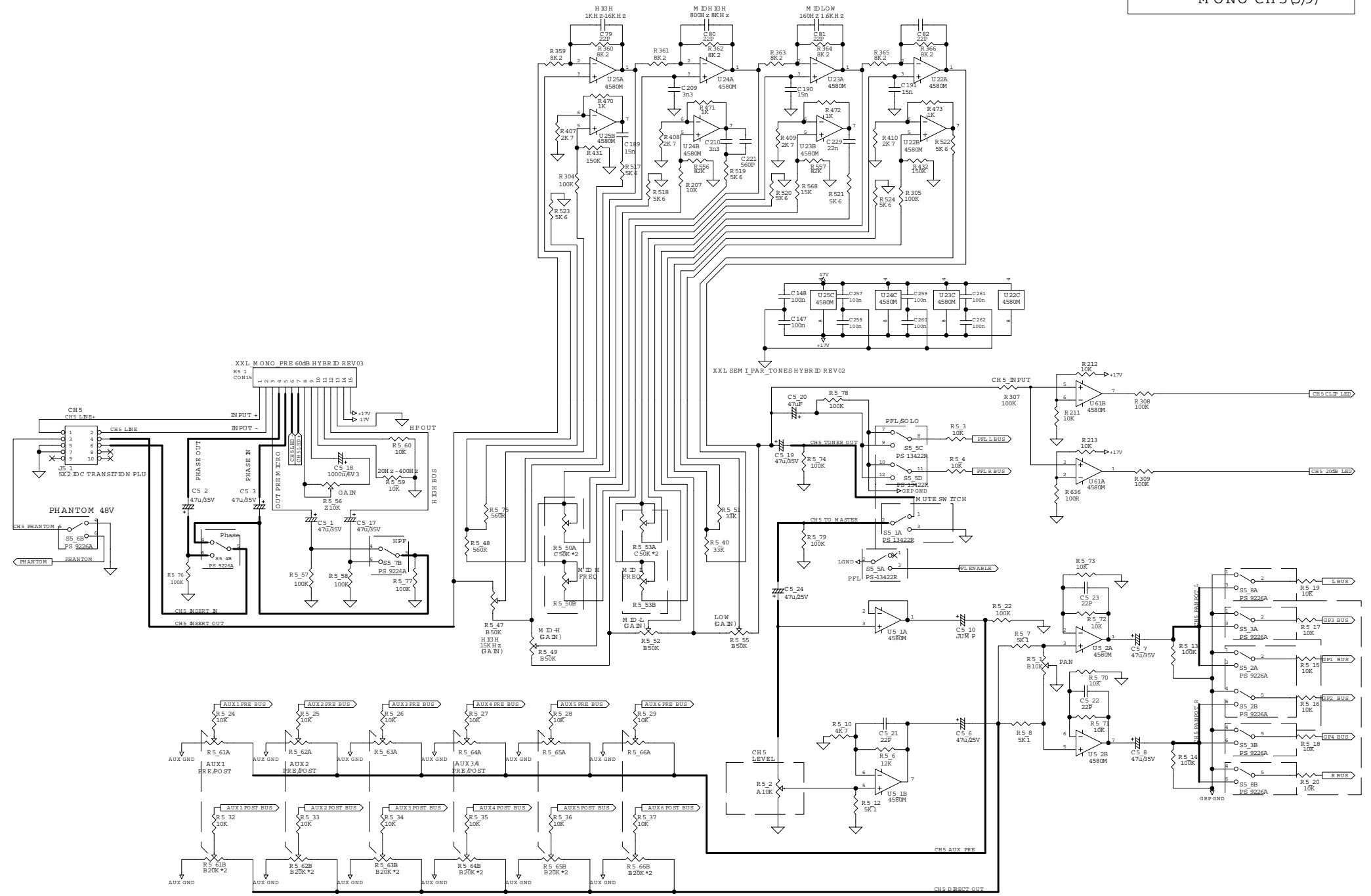




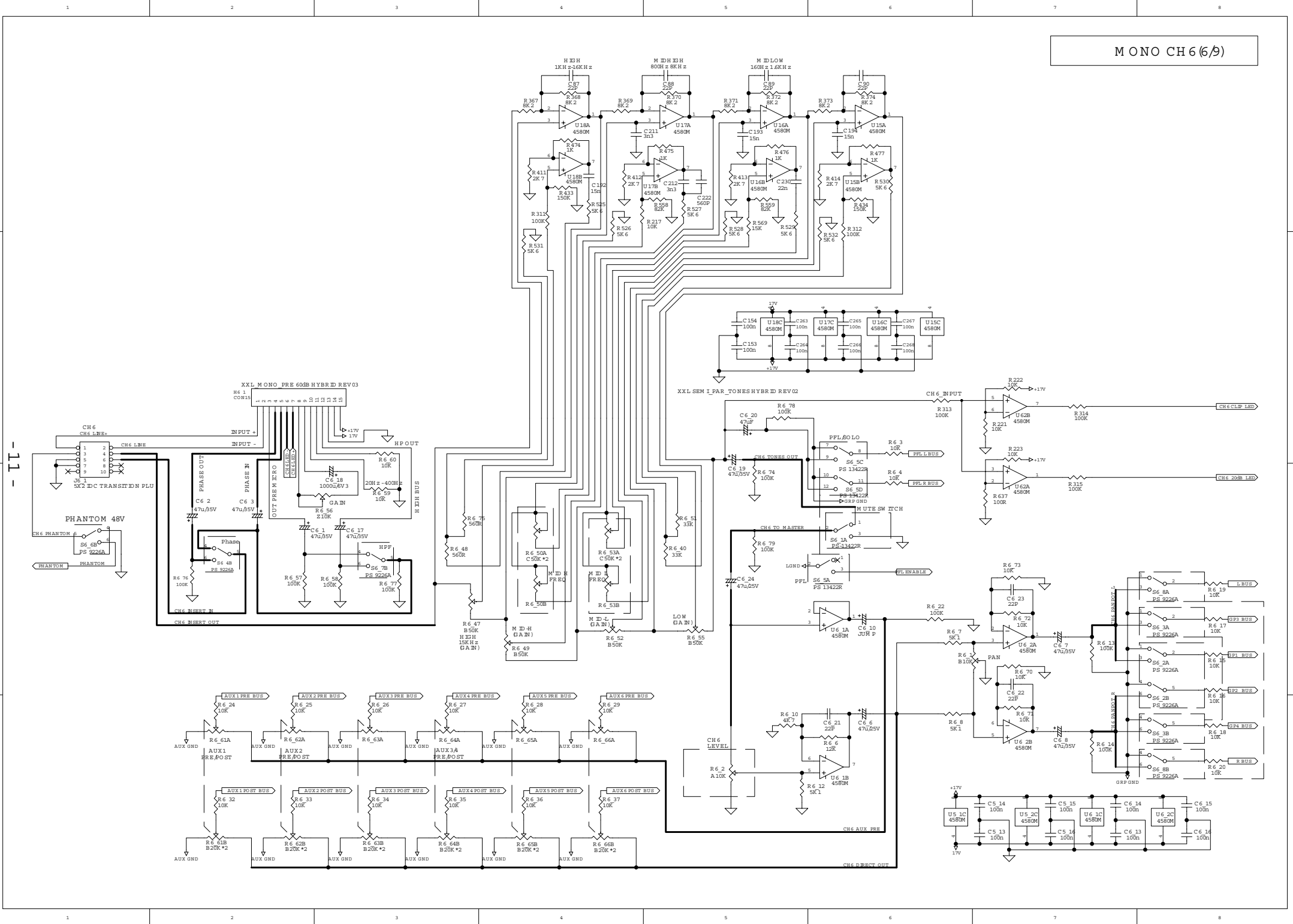
- 6 -



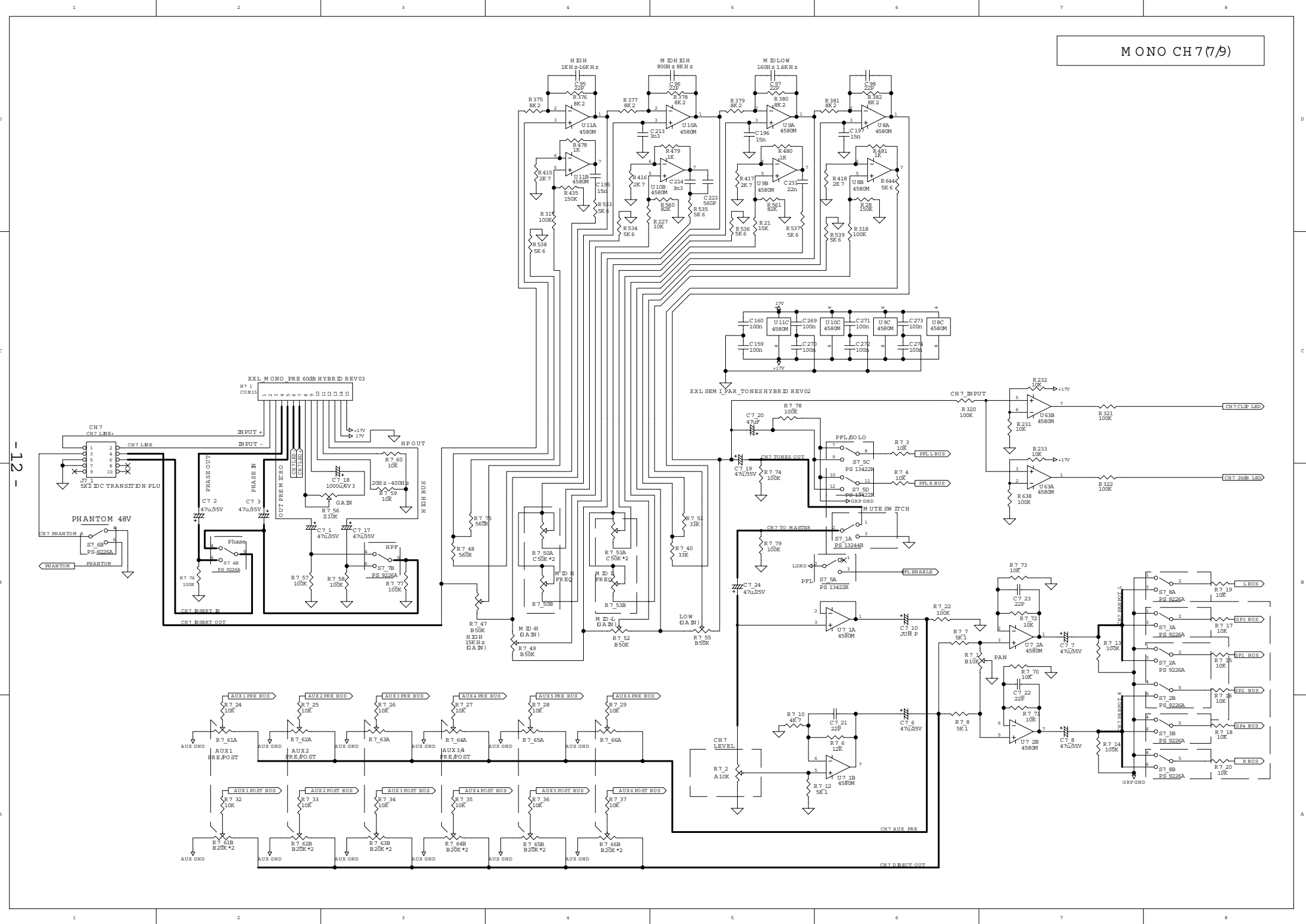
- 10 -



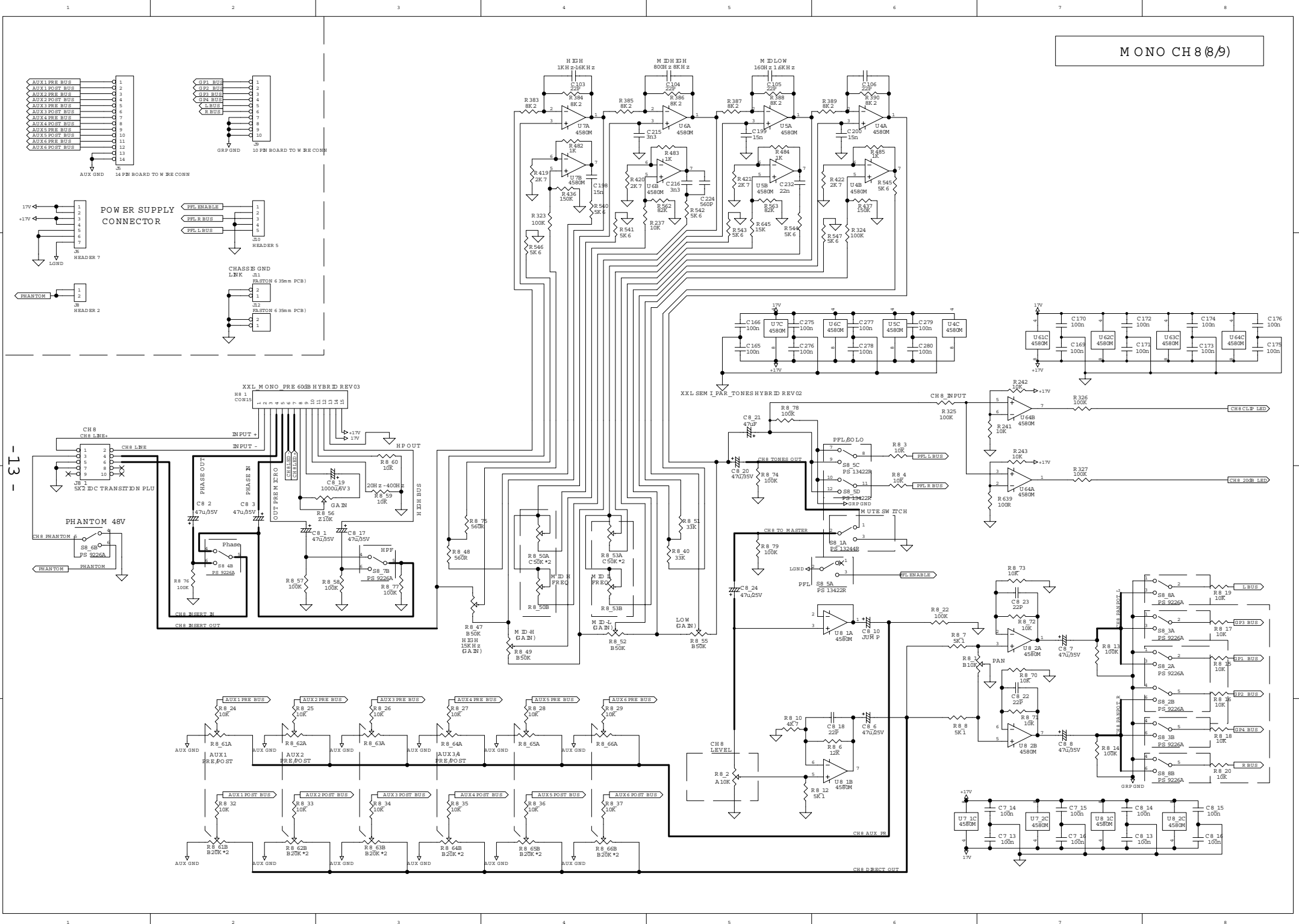




- 11 -



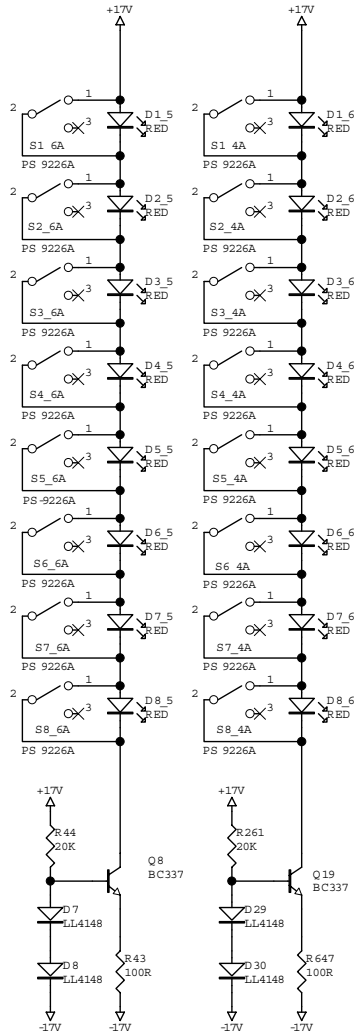
- 12 -



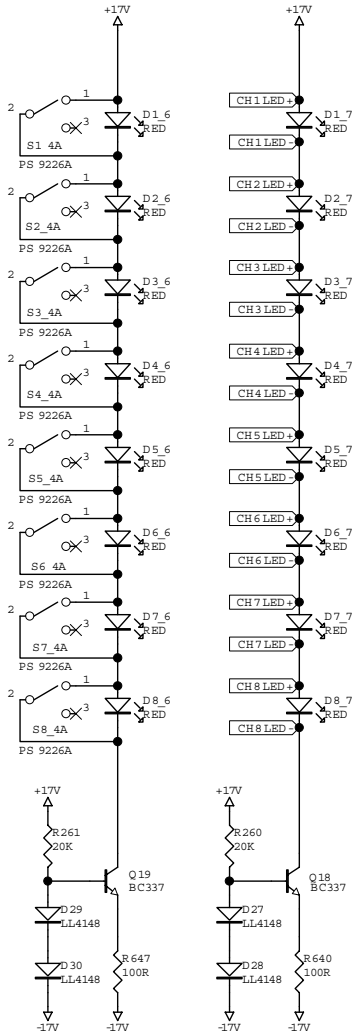
- 13 -

# MONO LED (9/9)

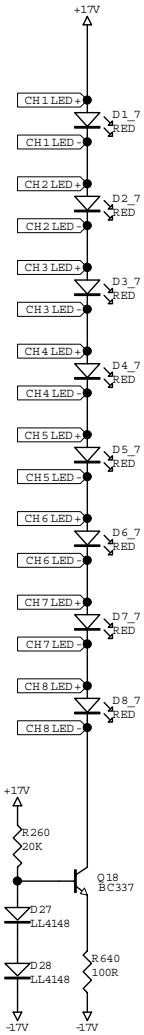
## PHANTOM 48V



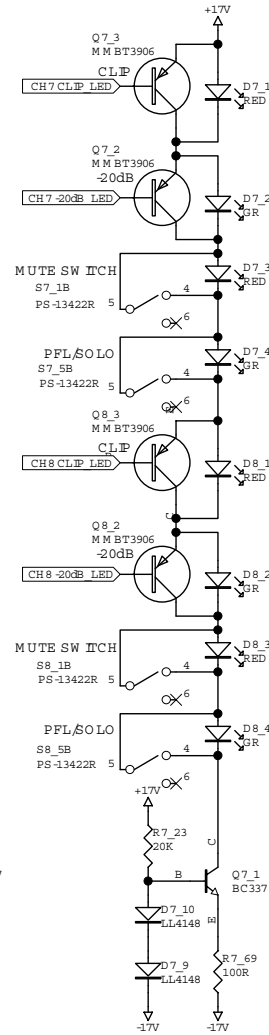
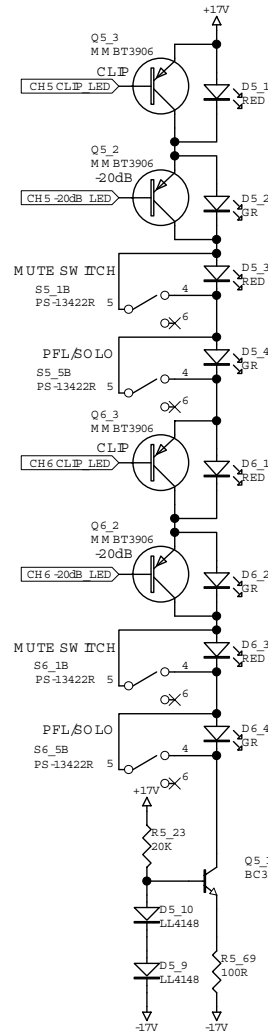
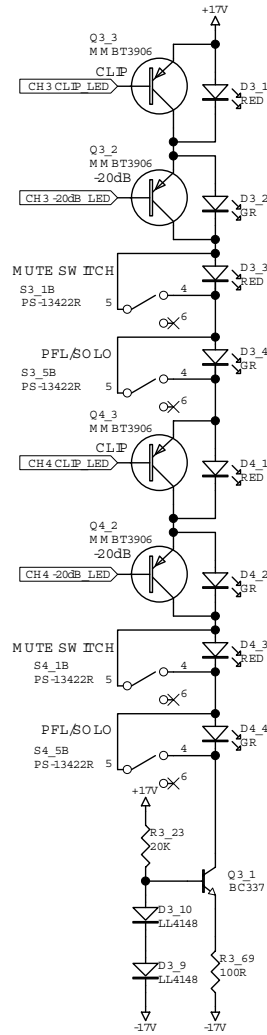
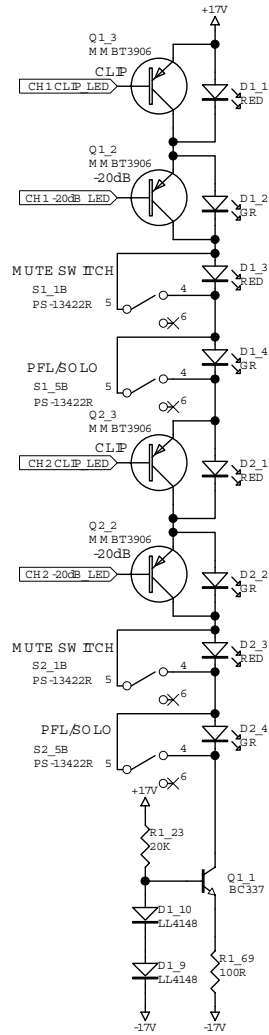
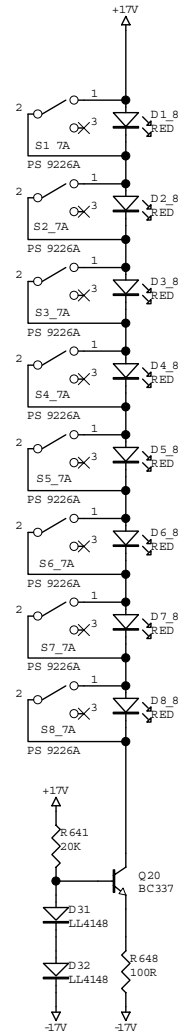
## PHASE



## LEVEL SET

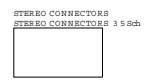
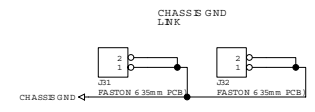
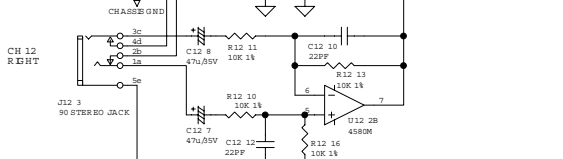
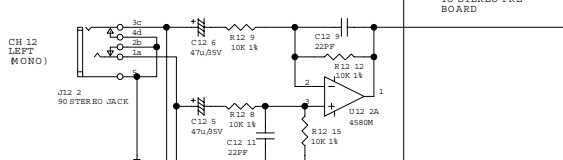
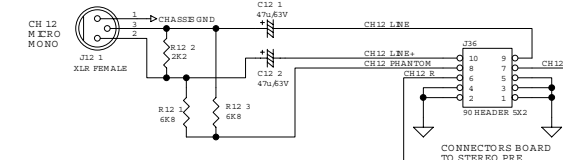
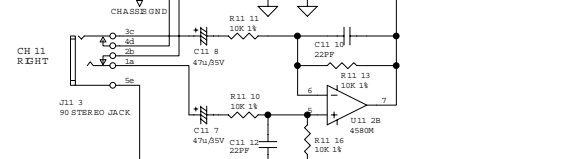
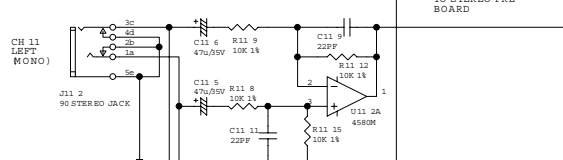
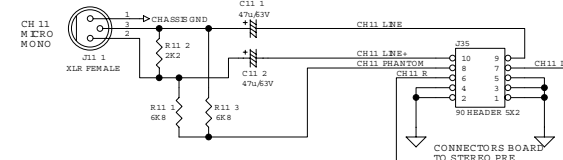
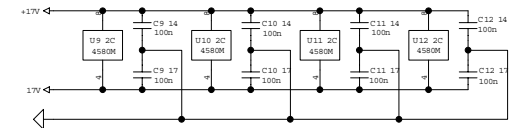
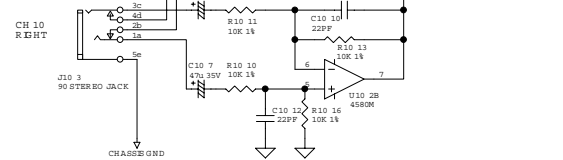
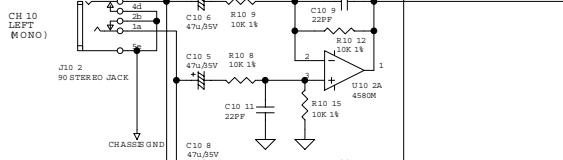
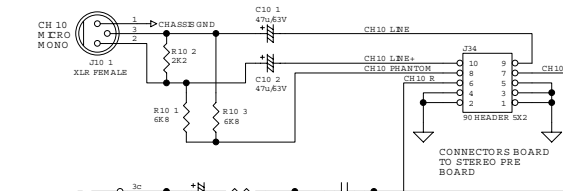
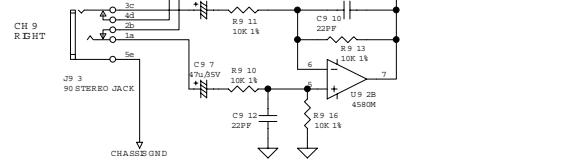
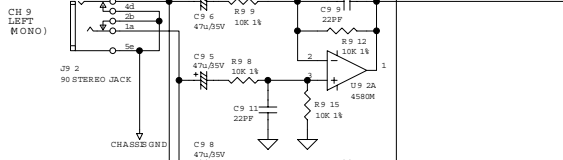
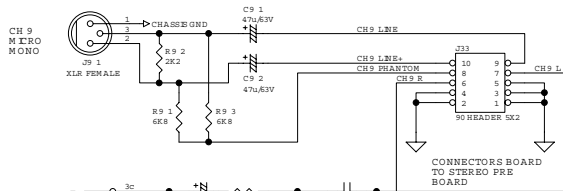


## HIGH PASS

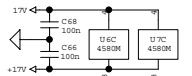
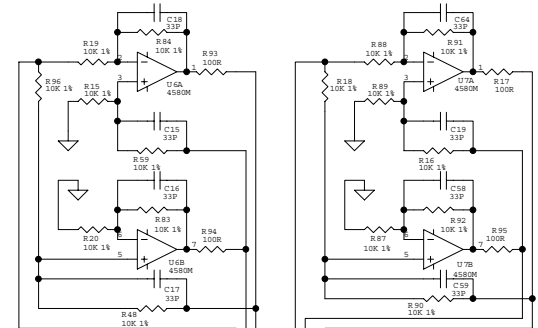


STEREO CONNECTORS (1/3)

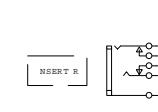
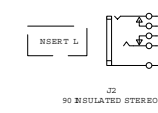
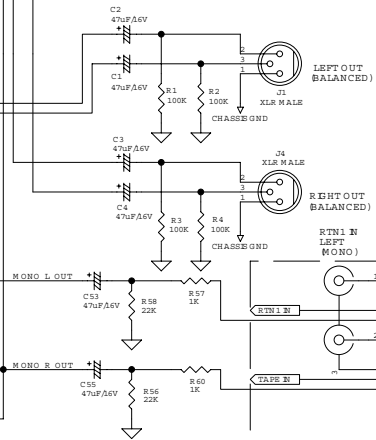
CH9\_12 STEREO INPUT



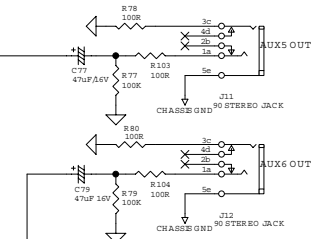
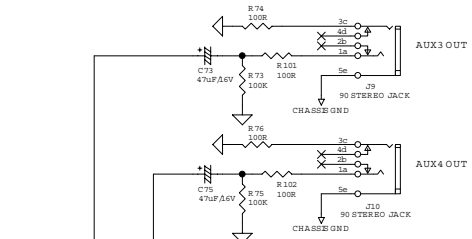
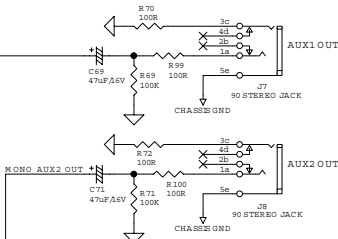
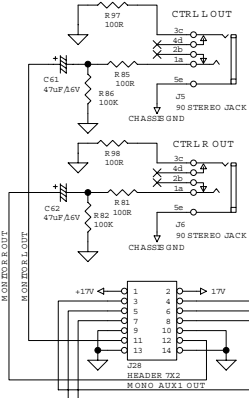
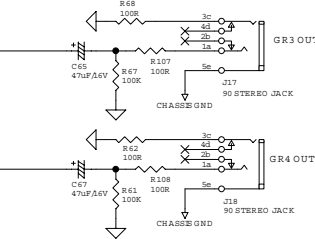
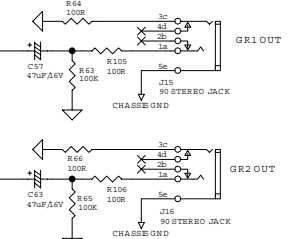
OUTPUT STEREO HYBRID REV02



12 PINS OUTPUT STEREO HYBRID

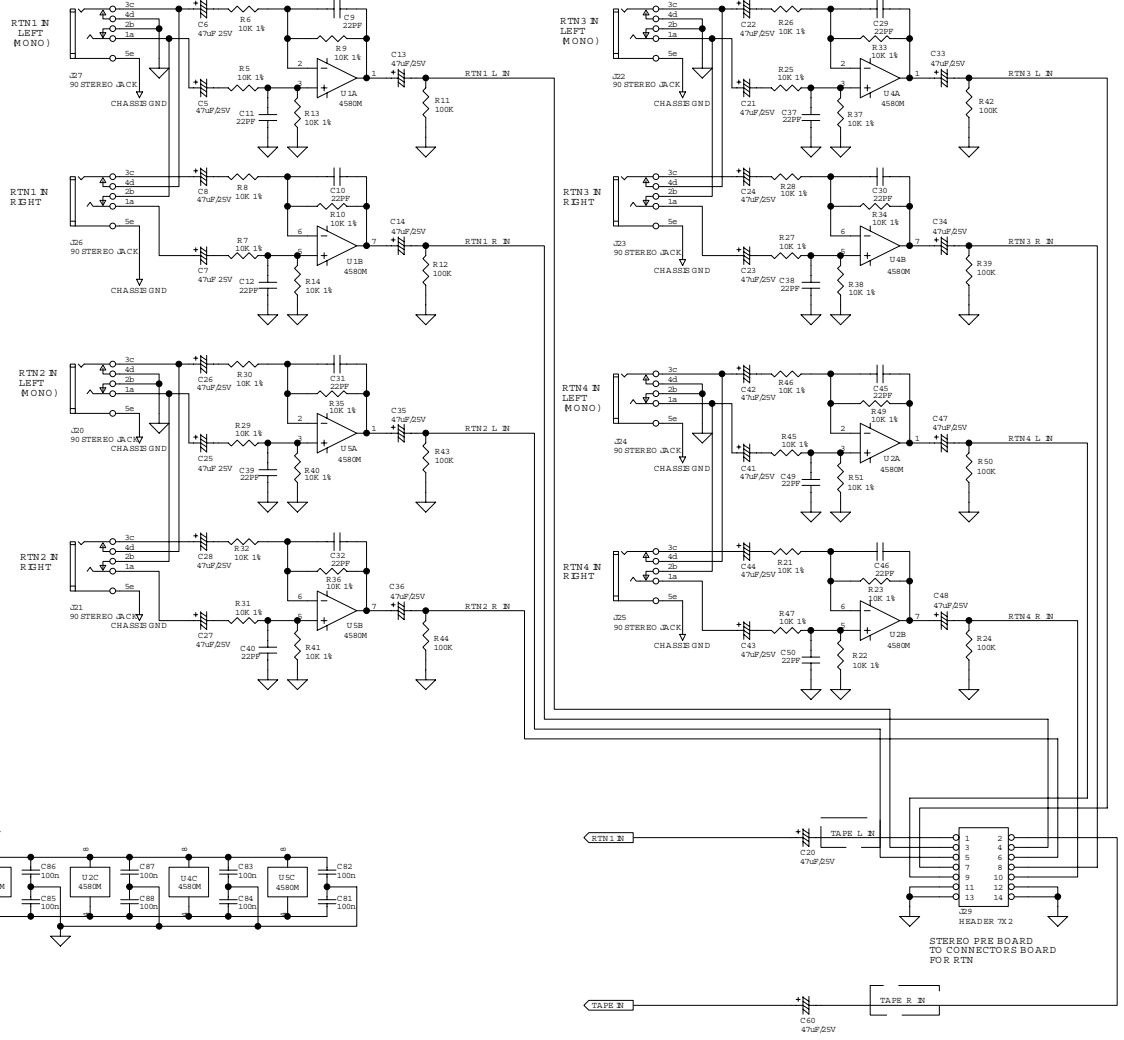


CONNECTORS BOARD TO STEREO MASTER BOARD FOR GROUP

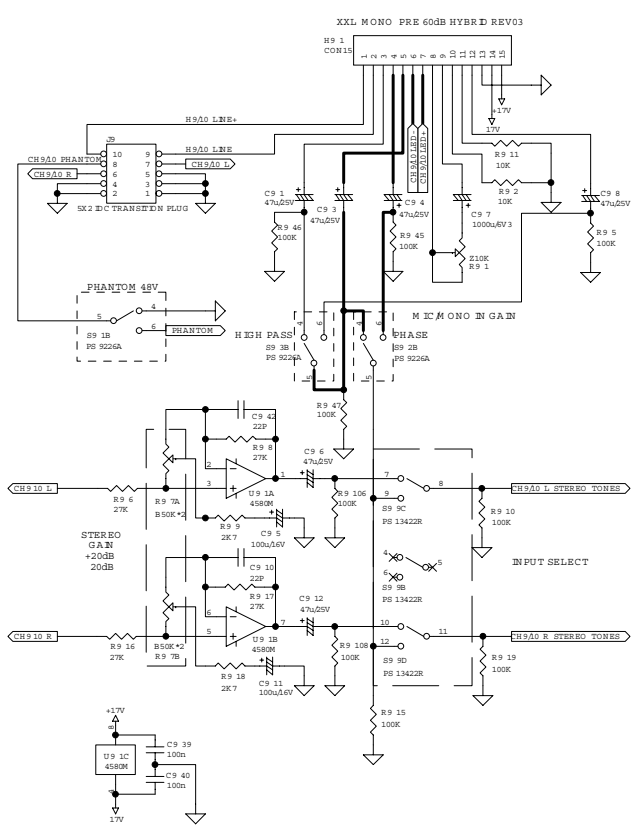
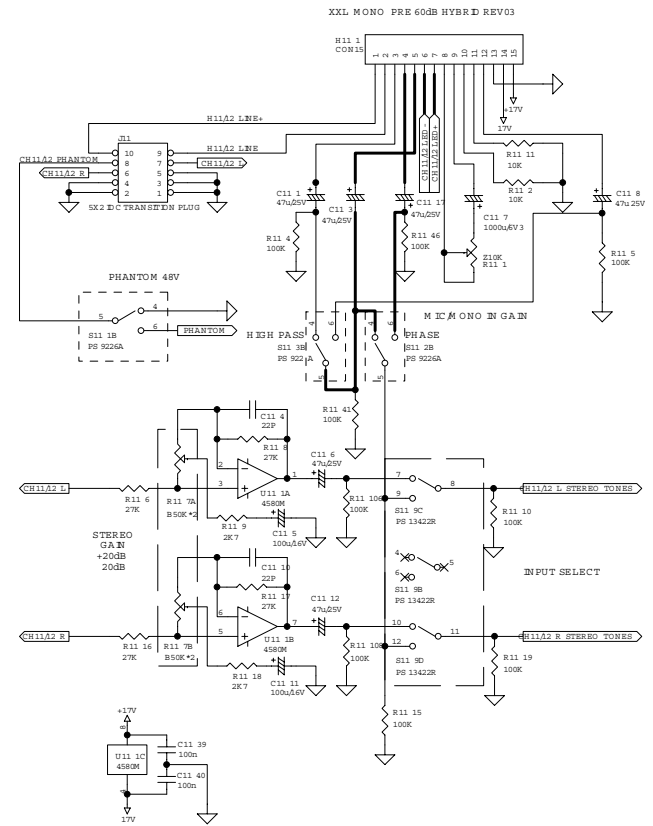
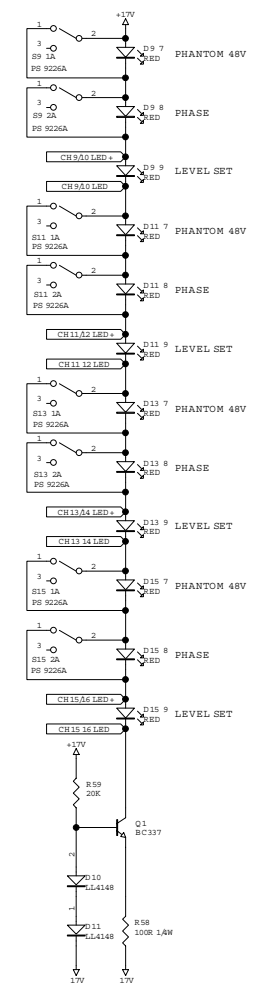
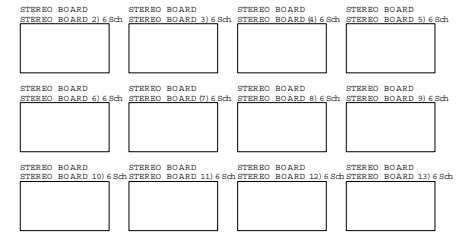


CONNECTORS BOARD TO STEREO PRE BOARD FOR AUX AND MONITOR

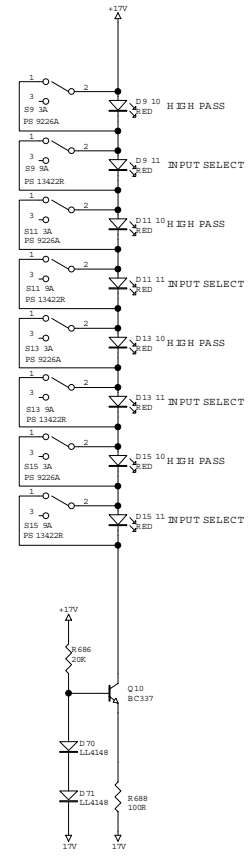
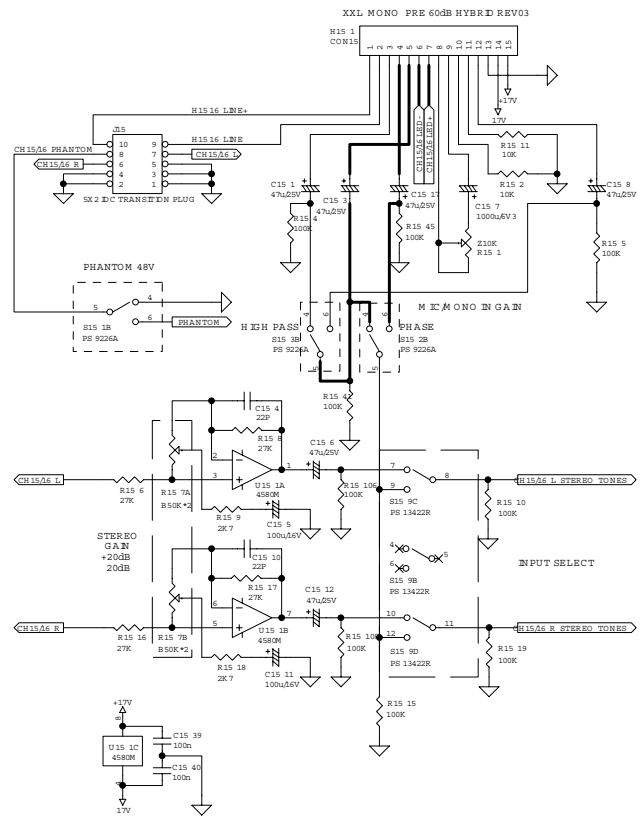
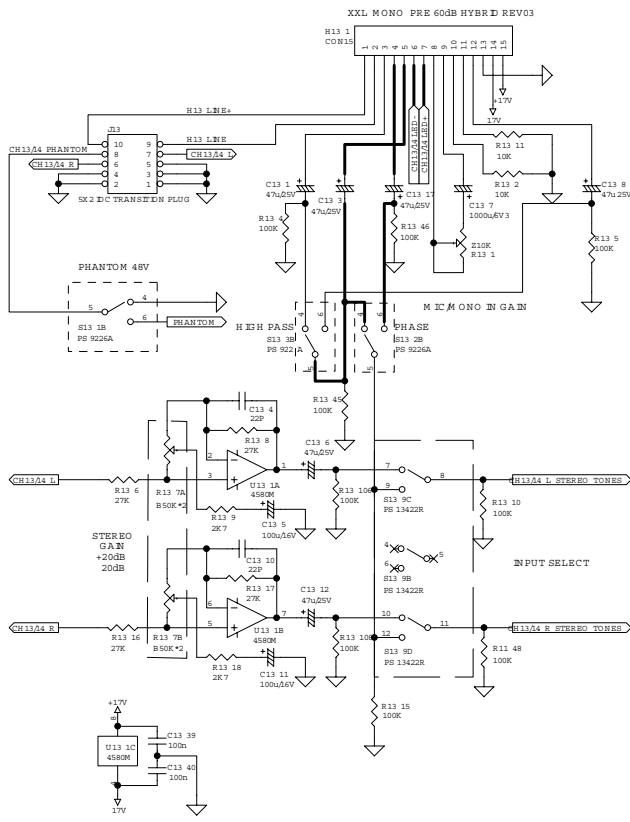
STEREO RTN1\_4&TAPE N



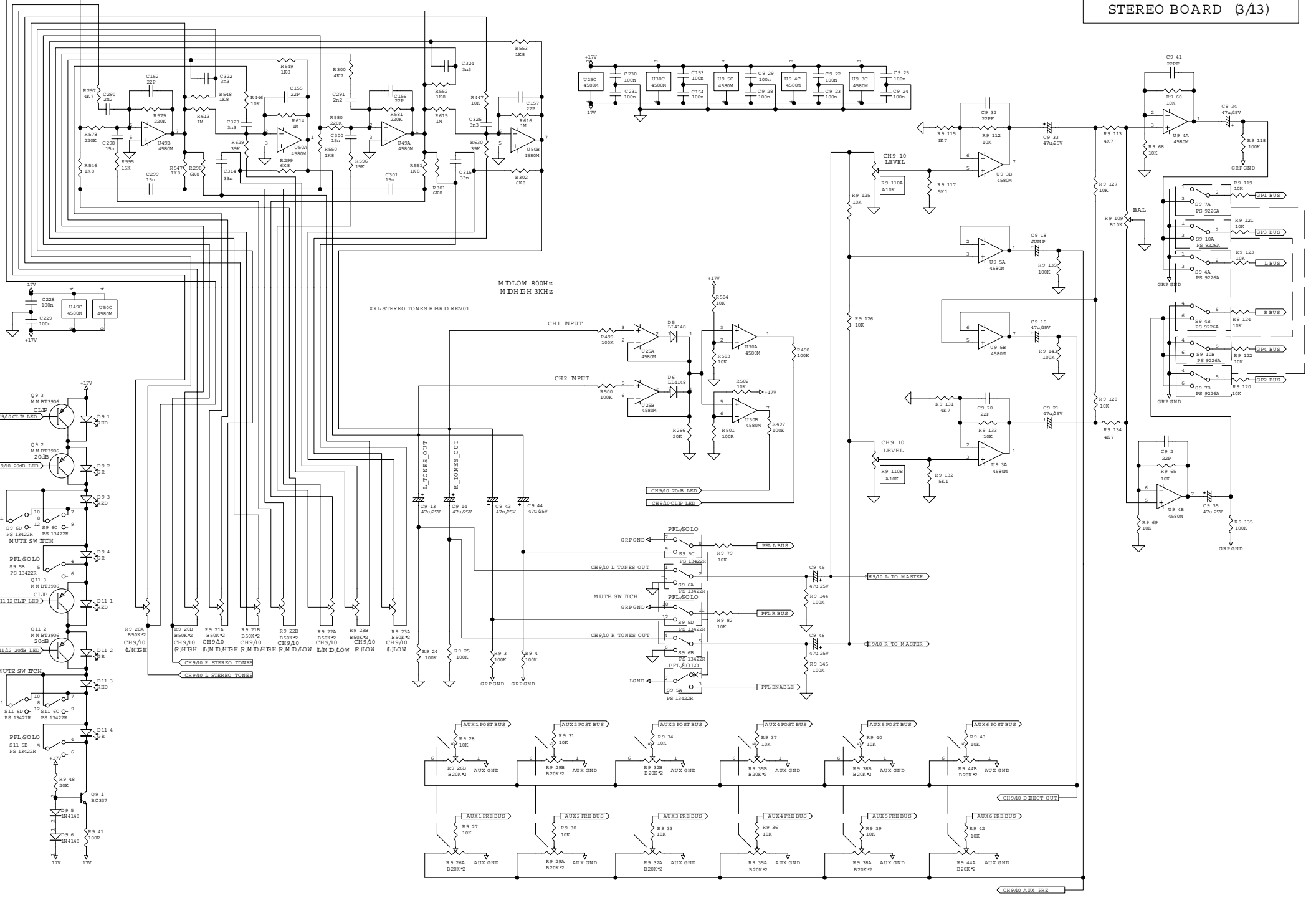
# STEREO BOARD (1/13)



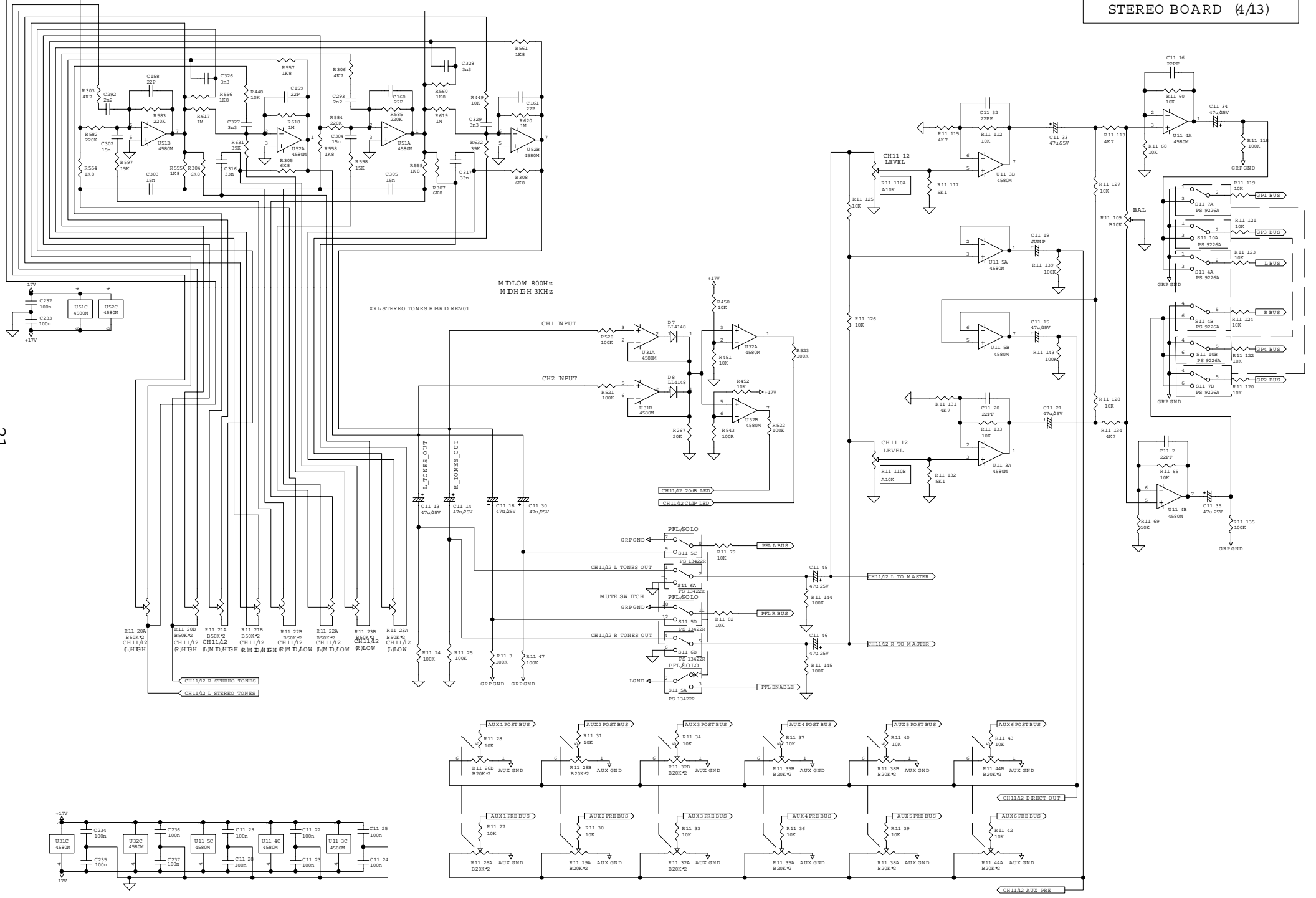


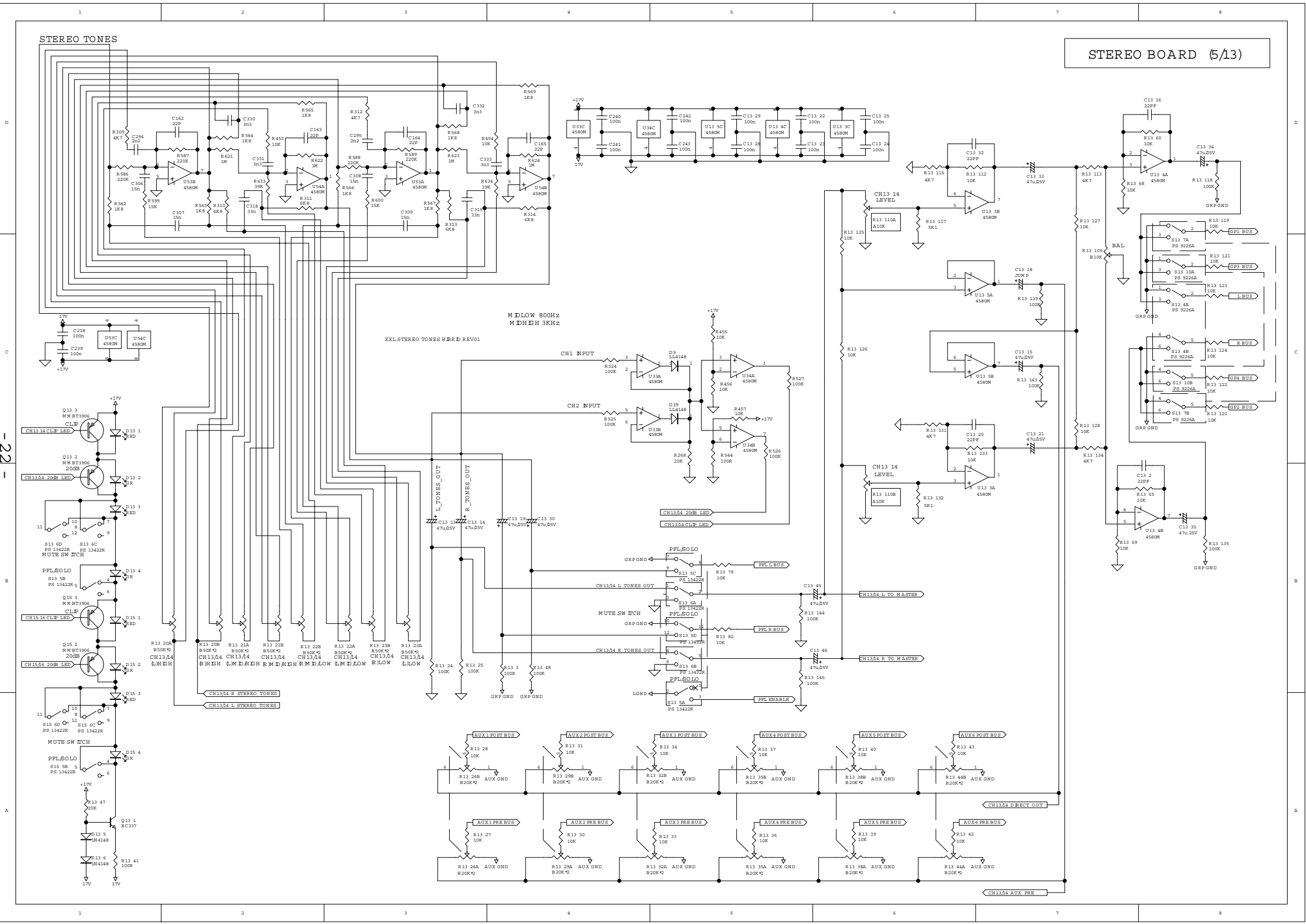


D  
C  
B  
A

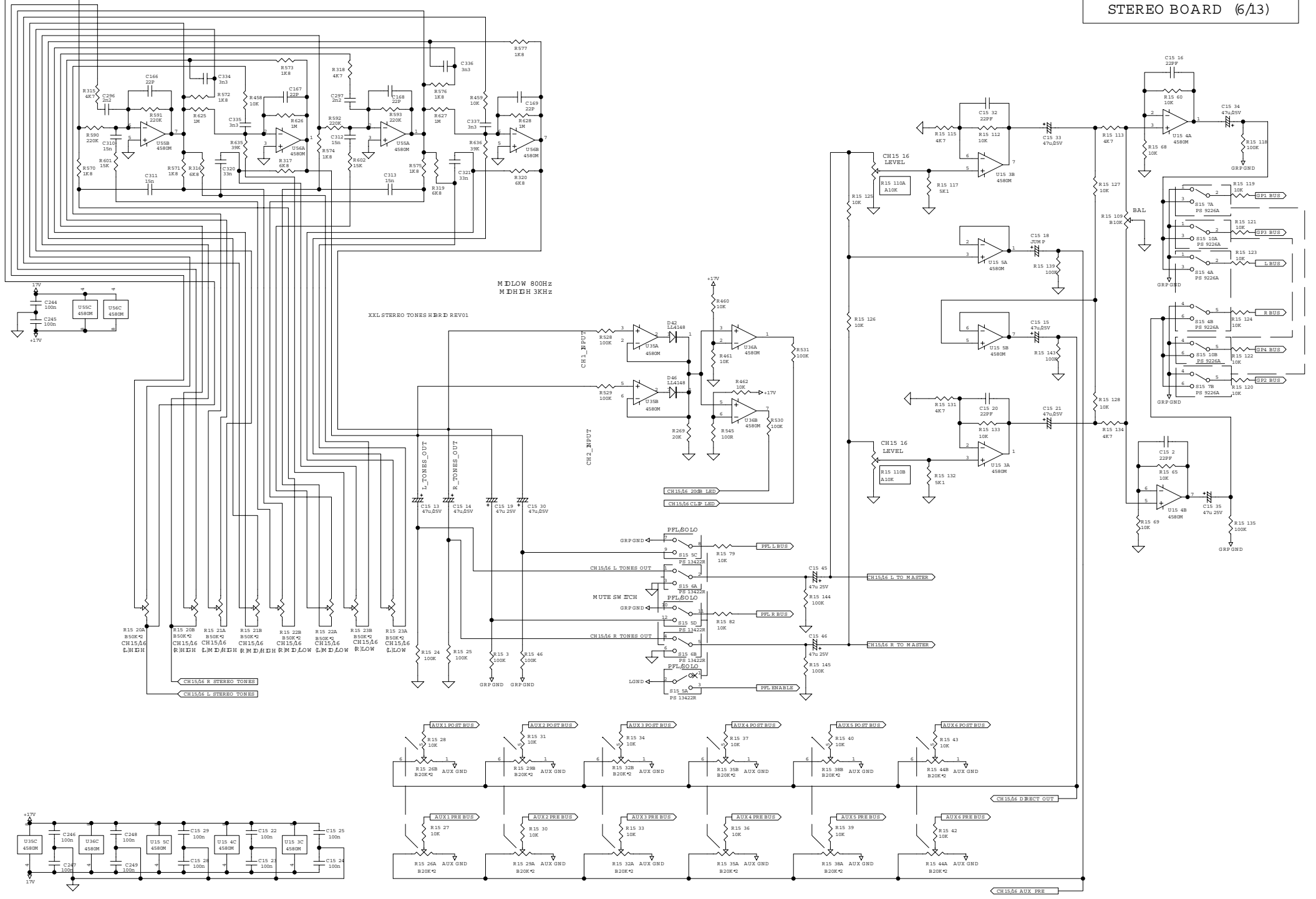


-20-

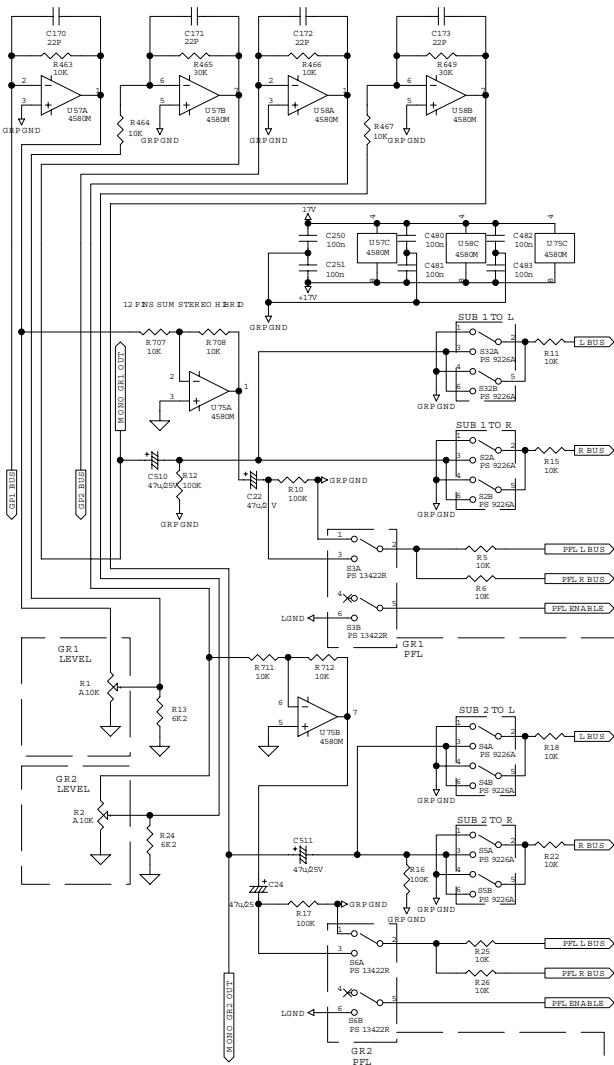




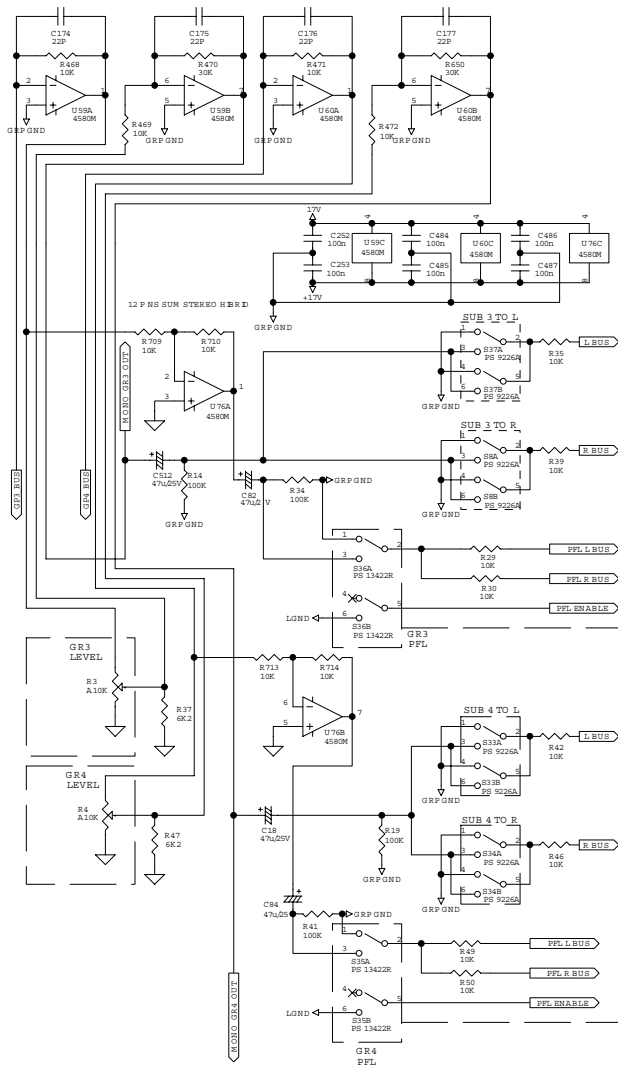
- 22 -



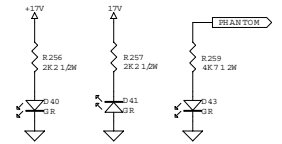
XXL BRDO SUM STEREO



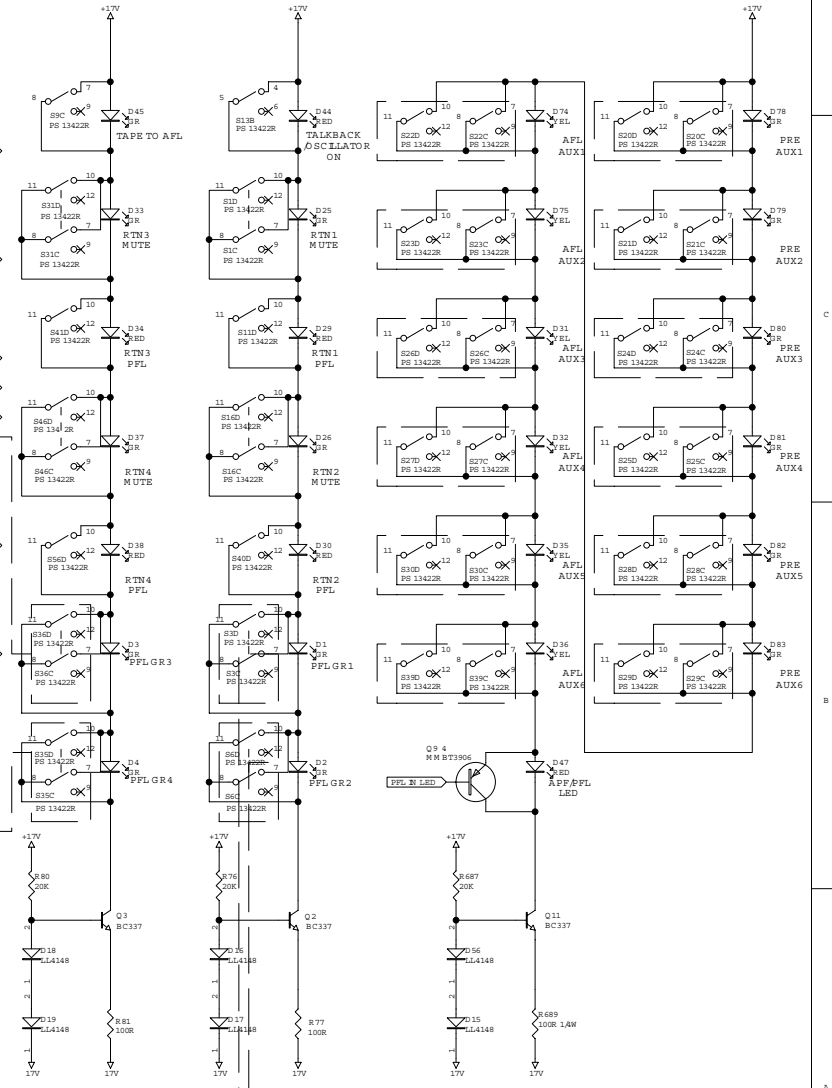
XXL BRDO SUM STEREO



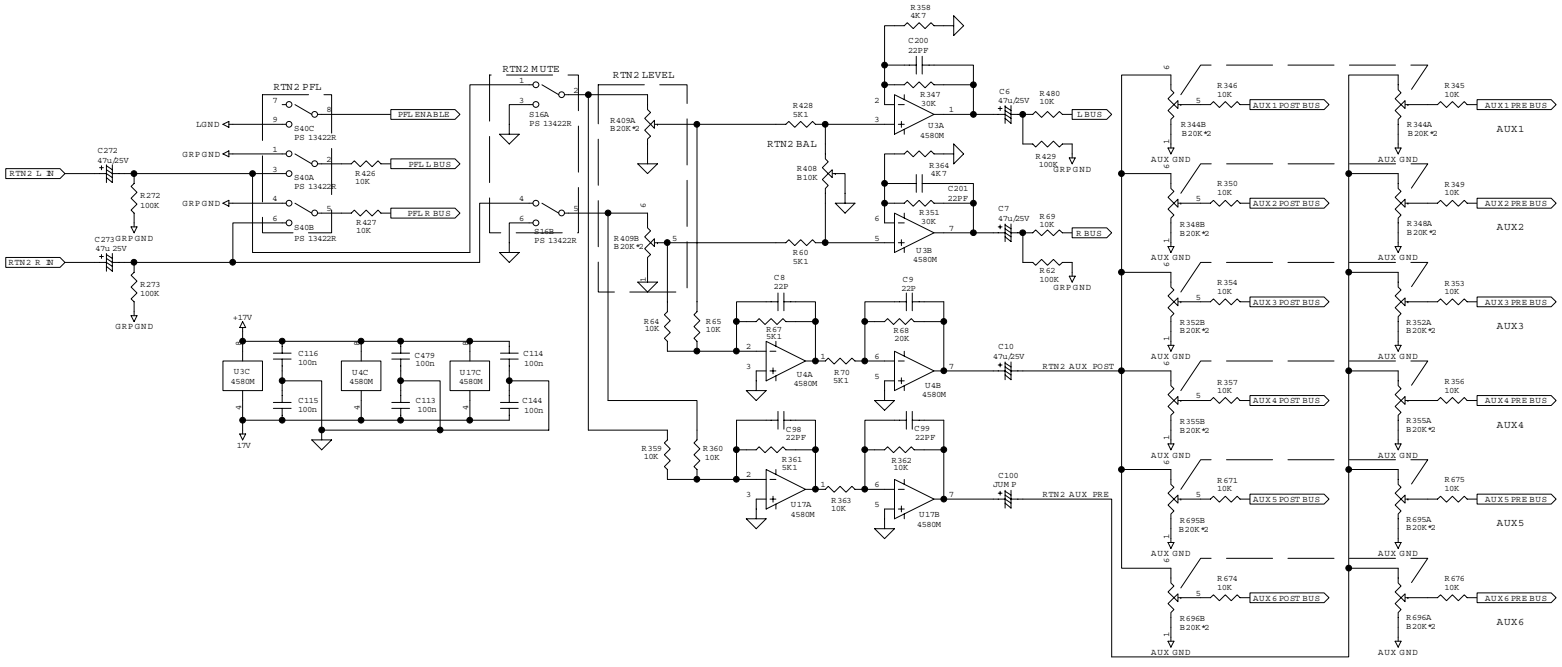
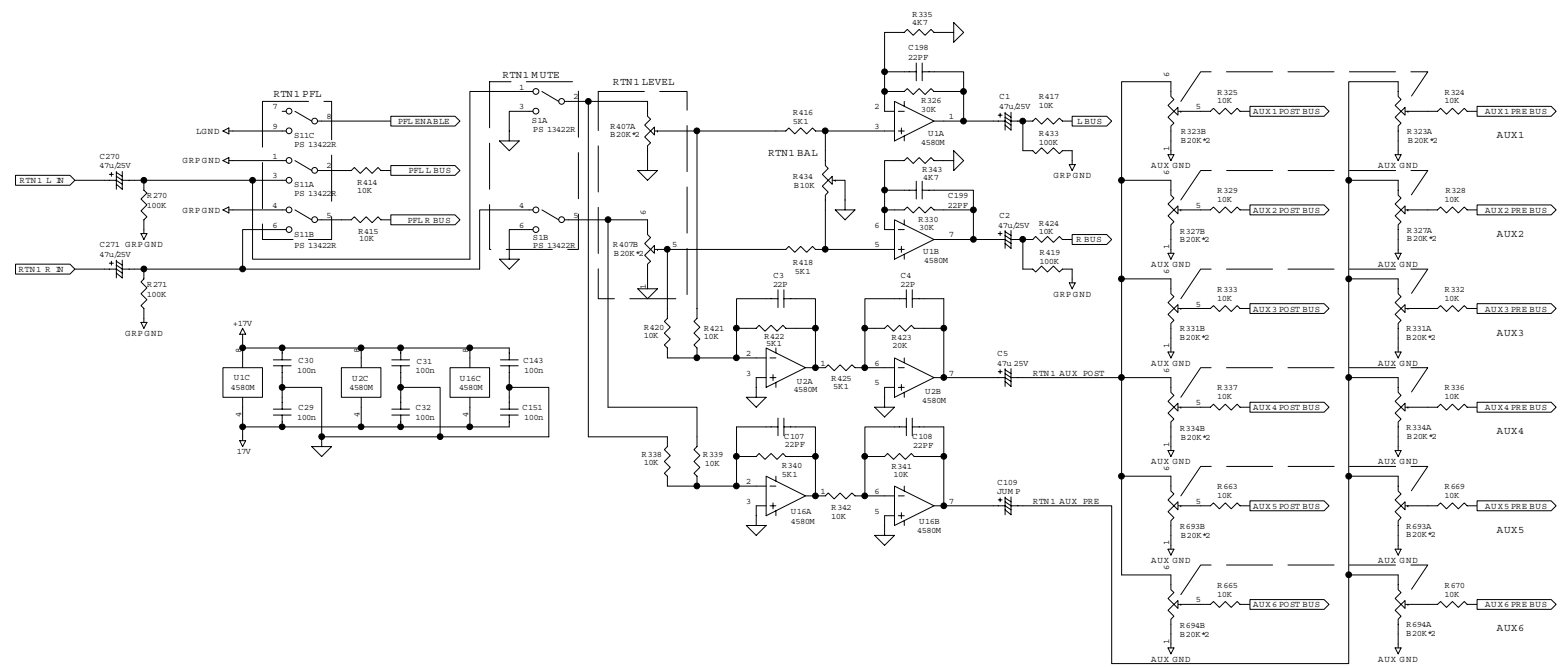
POWER SUPPLY MONITOR



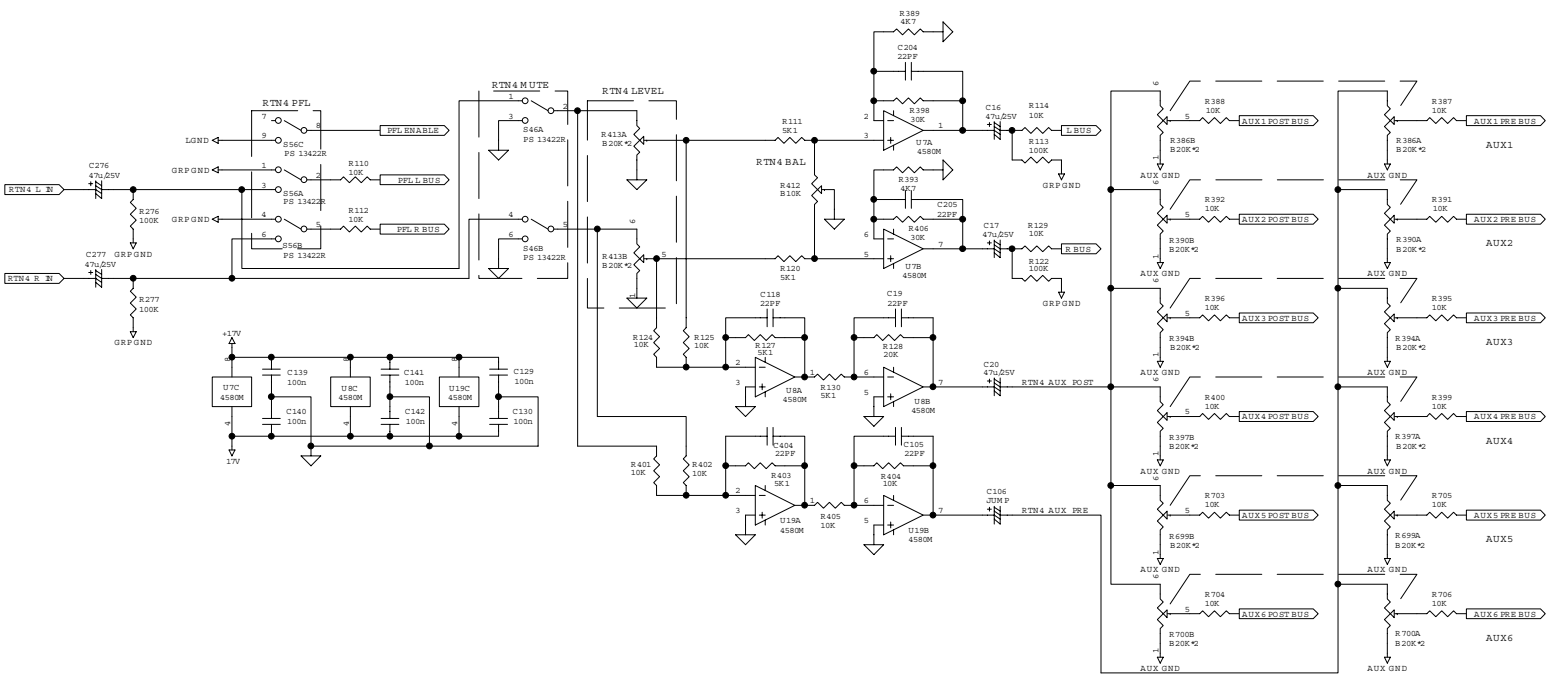
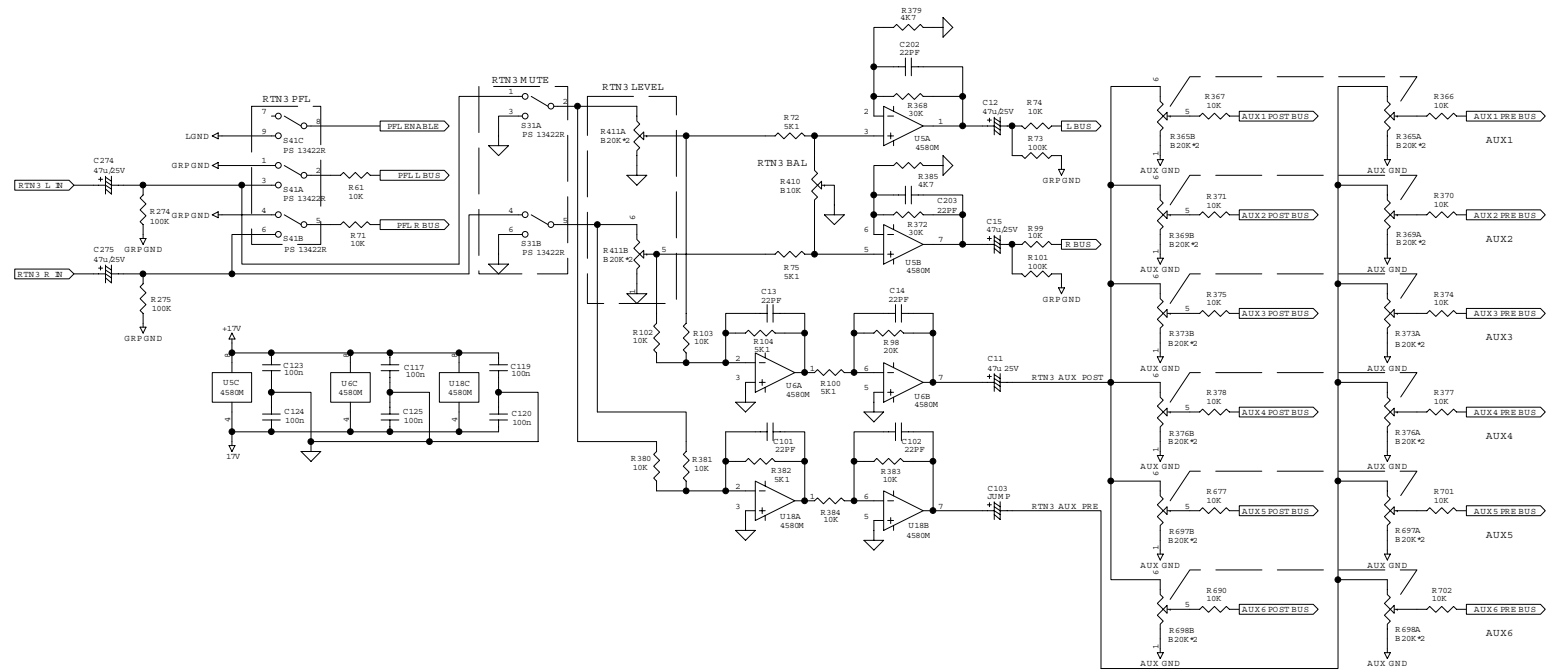
STEREO BOARD (7/13)





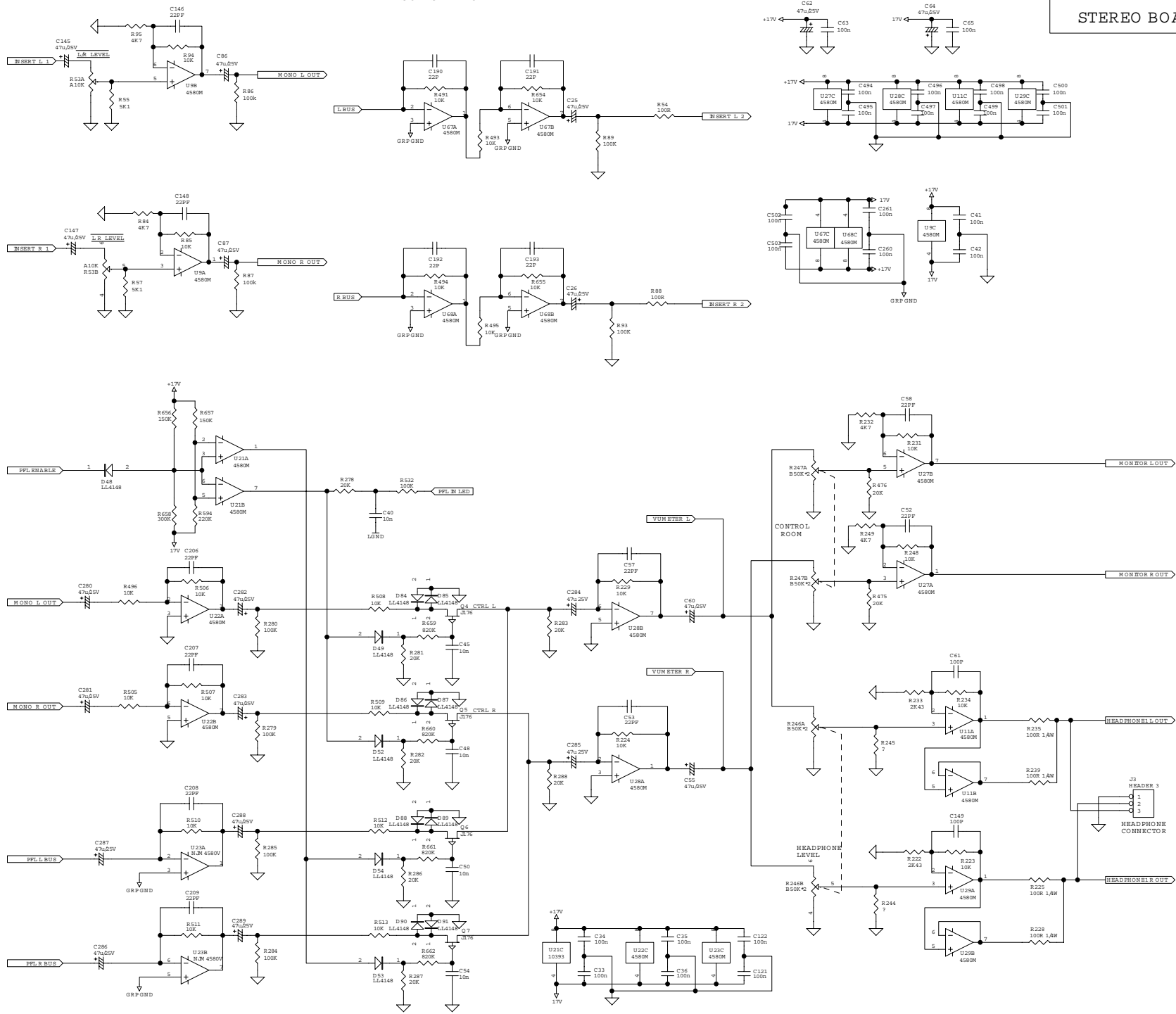




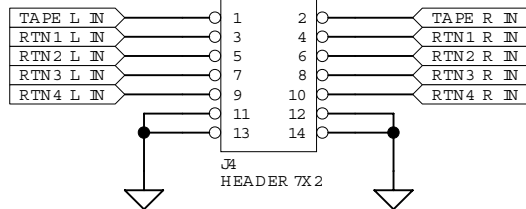


SUM STEREO

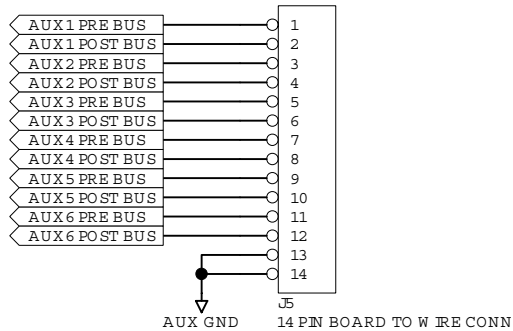
STEREO BOARD (11/13)



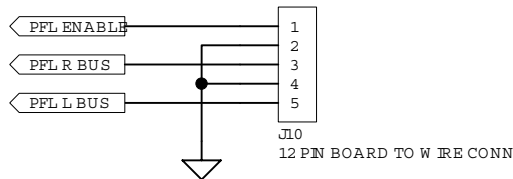




STEREO MASTER BOARD  
TO MONO BOARD

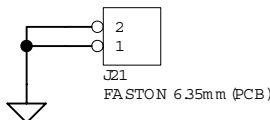


AUX GND  
14 PIN BOARD TO WIRE CONN

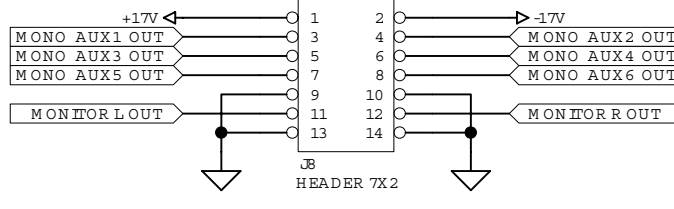


12 PIN BOARD TO WIRE CONN

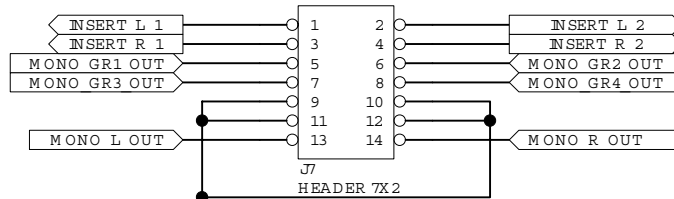
CHASSIS GND  
LNK



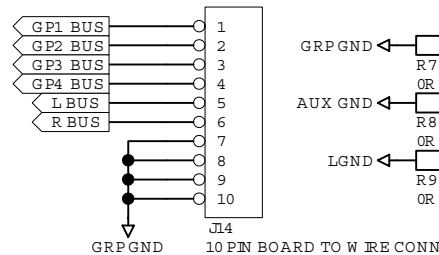
FASTON 6.35mm (PCB)



CONNECTOR  
TO BE SOLDER ON BOTTOM  
LAYER

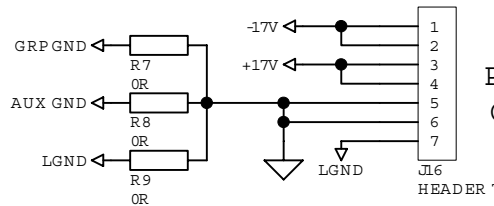


CONNECTOR  
TO BE SOLDER ON BOTTOM  
LAYER



10 PIN BOARD TO WIRE CONN

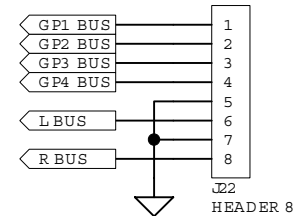
CONNECTORS  
PRE SIDE



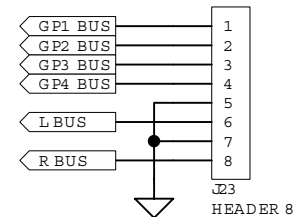
POWER SUPPLY  
CONNECTOR

CONNECTORS  
MASTER SIDE

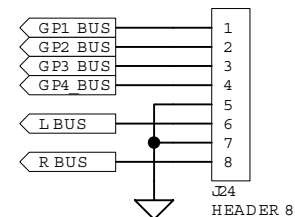
STEREO BOARD (13/13)



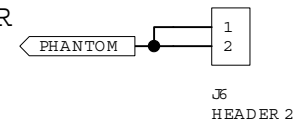
HEADER 8



HEADER 8



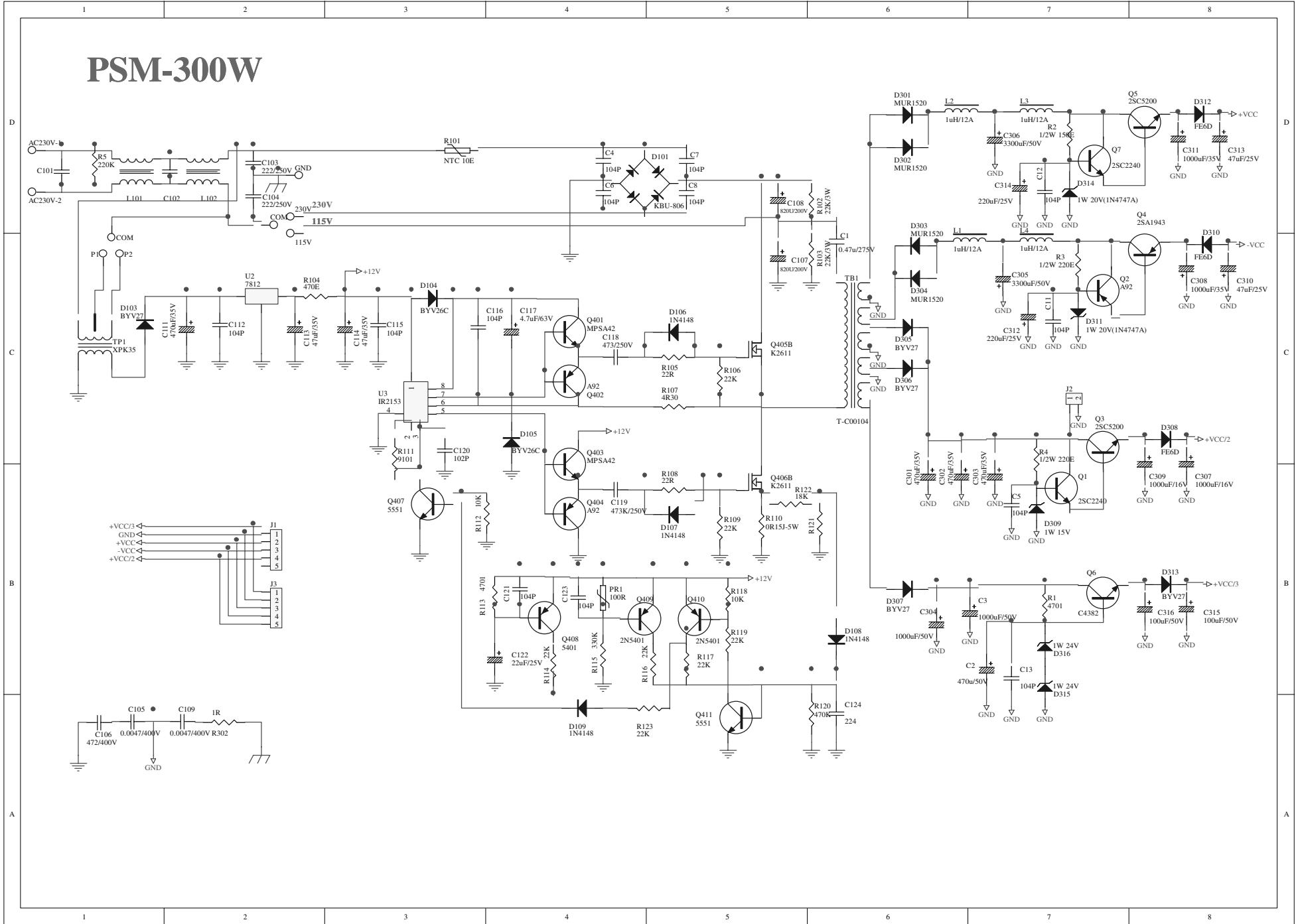
HEADER 8



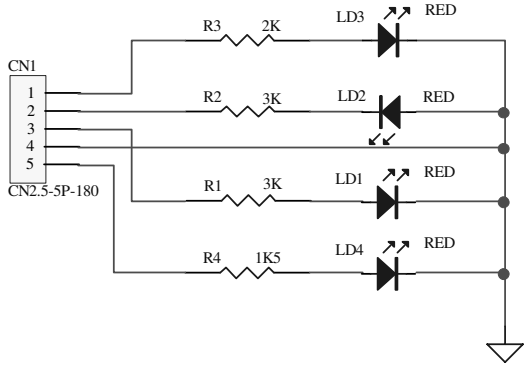
HEADER 2

- 30 -

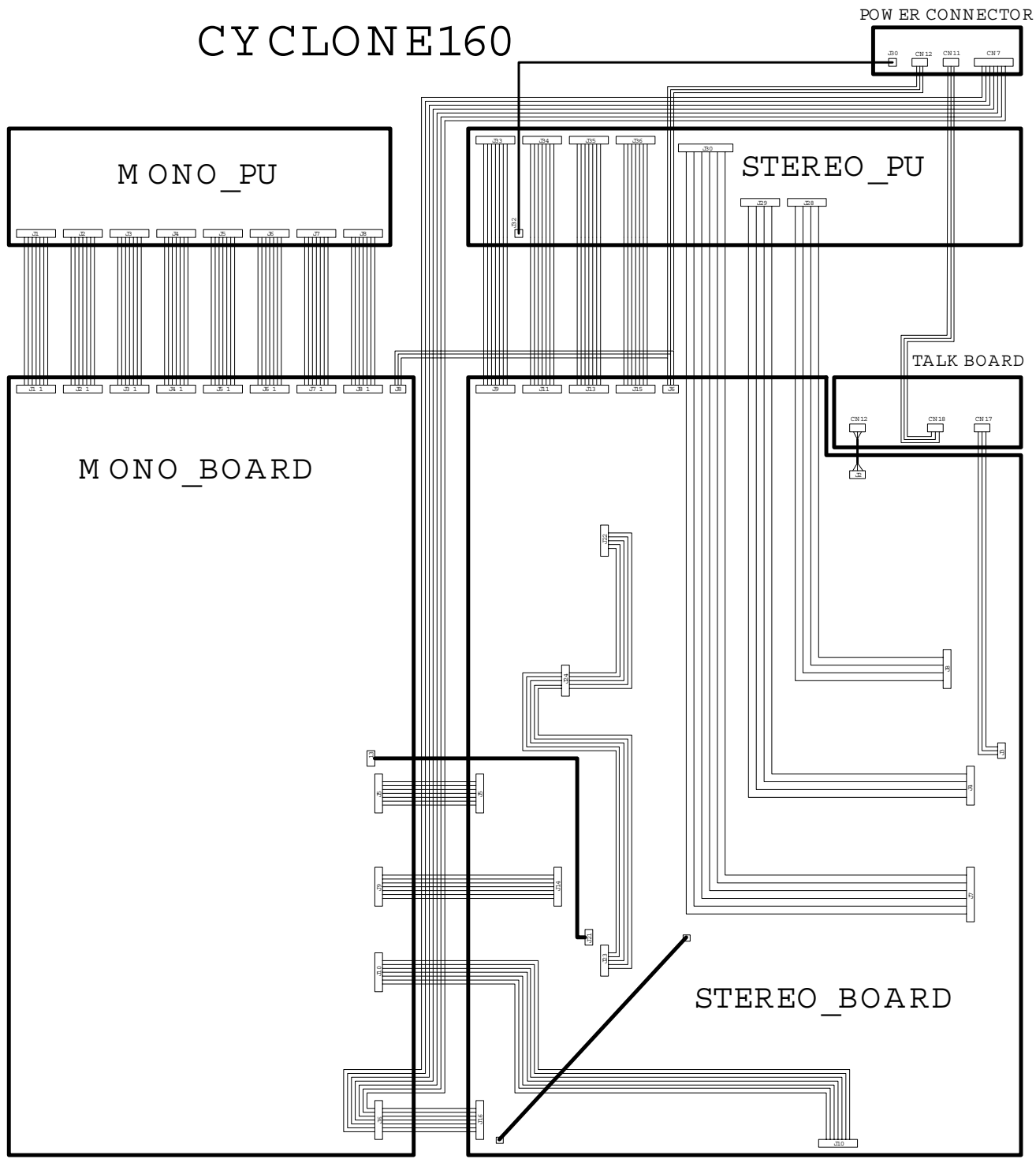
# PSM-300W



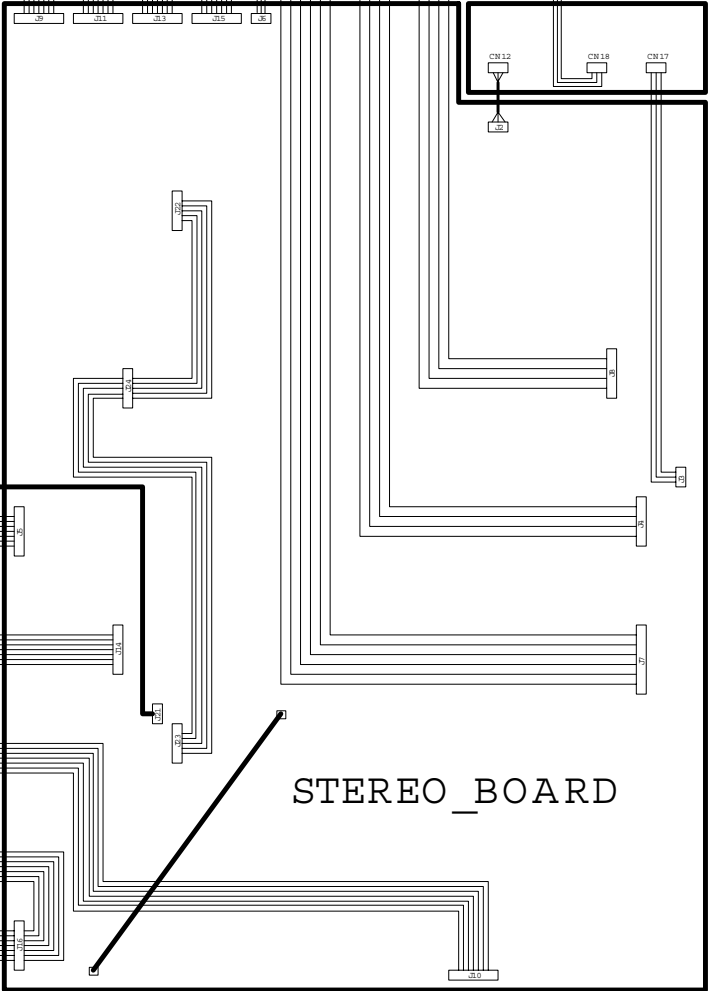
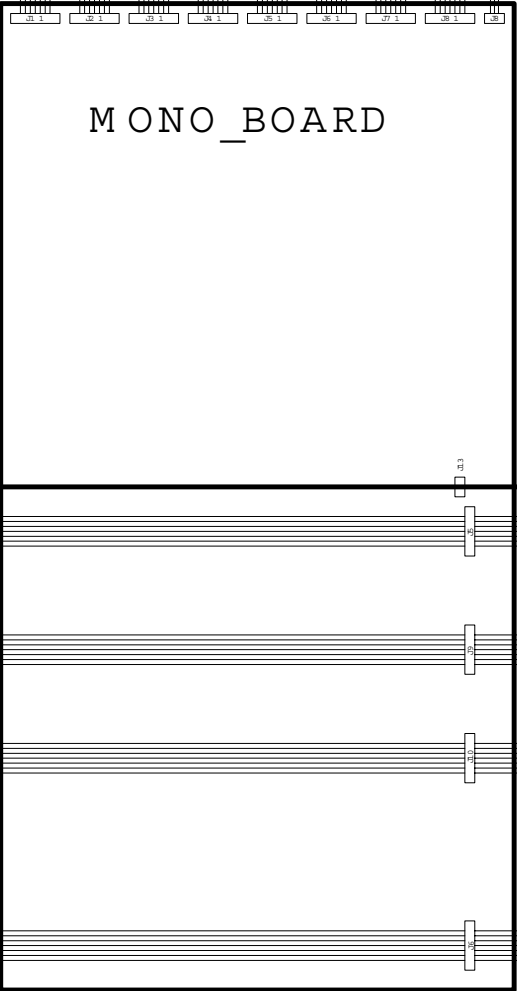
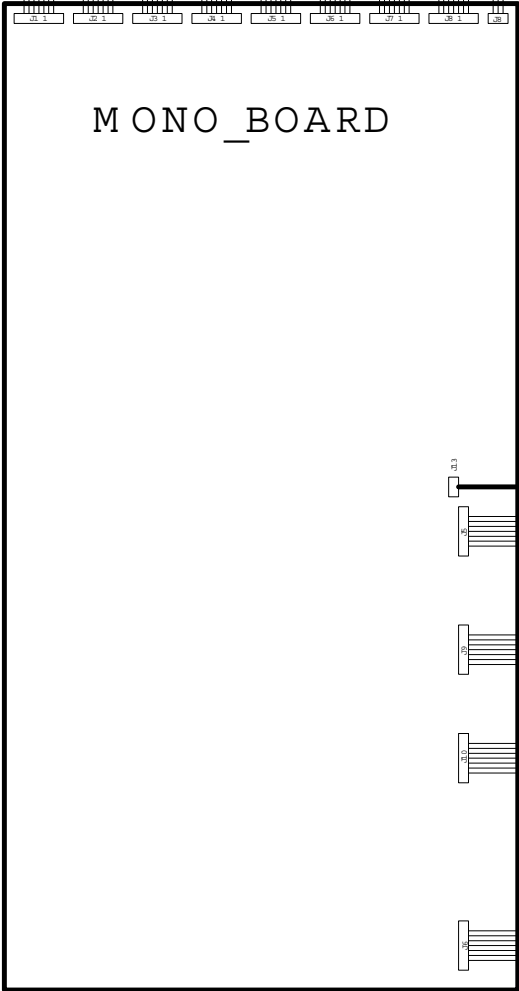
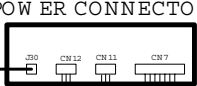
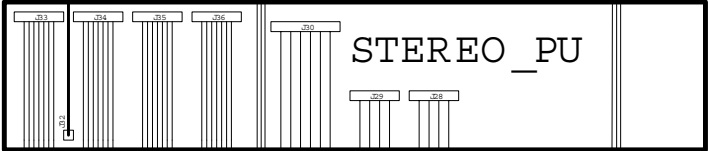
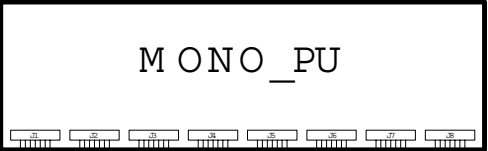
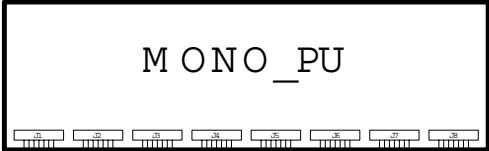
# PSM-300W-LED



# CYCLONE160

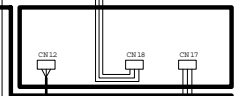
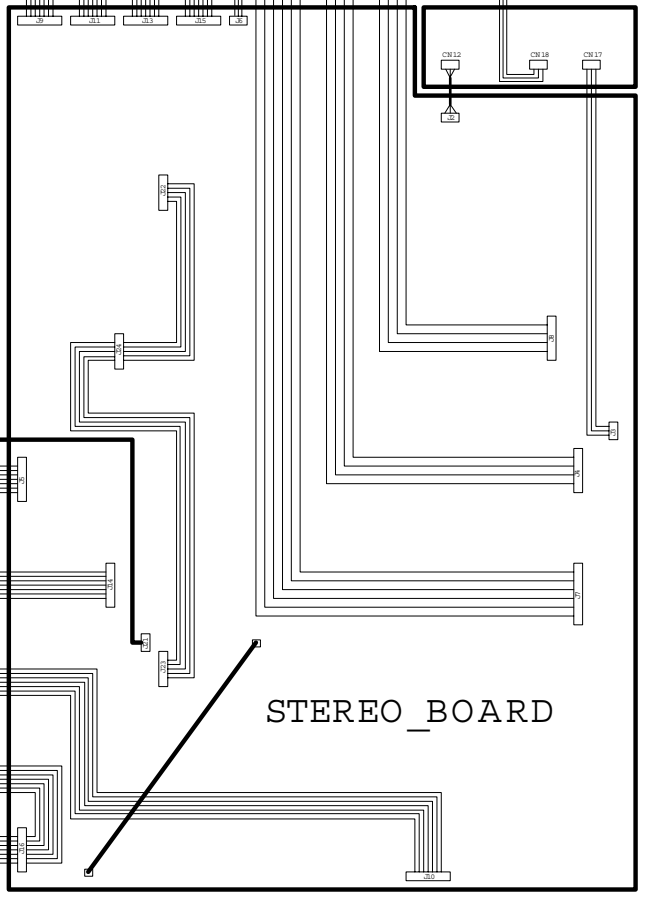
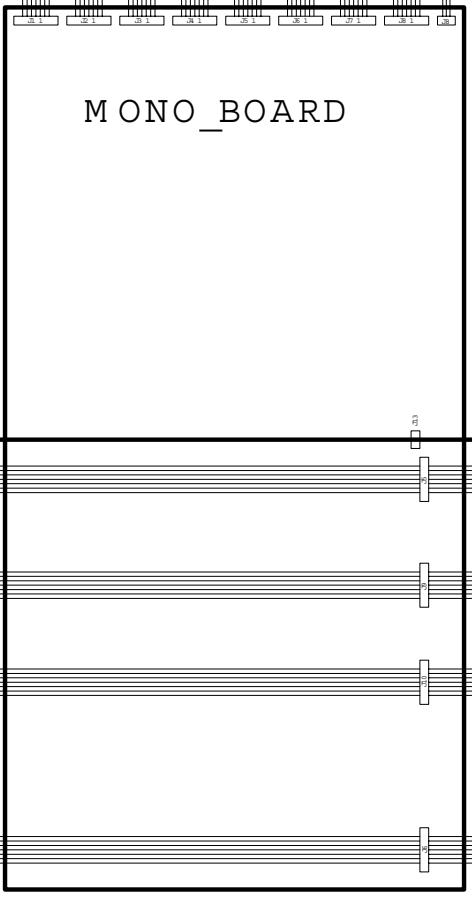
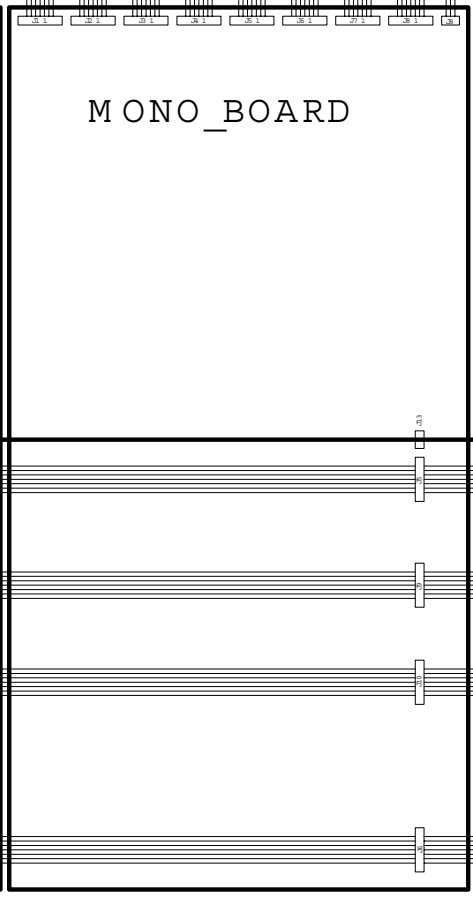
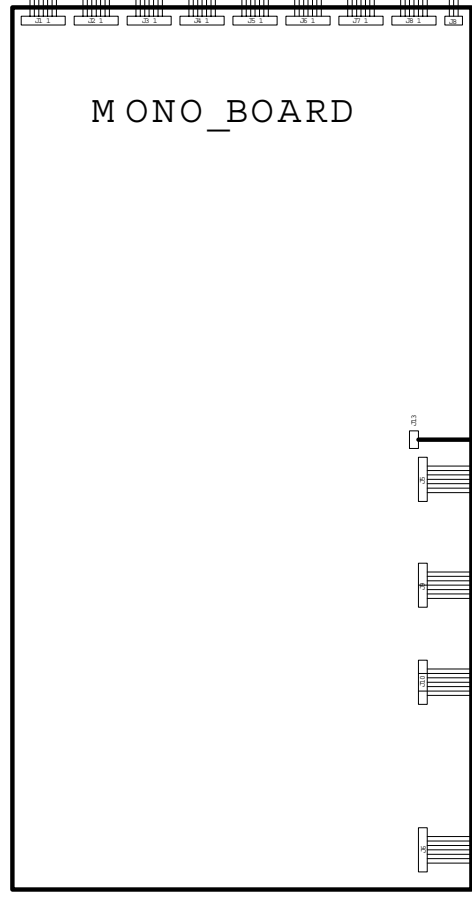
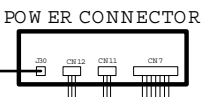
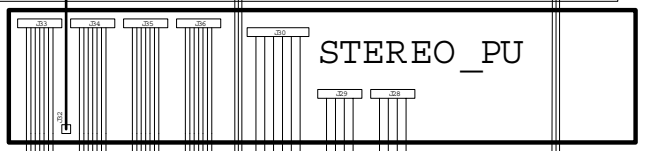


# CYCLONE240

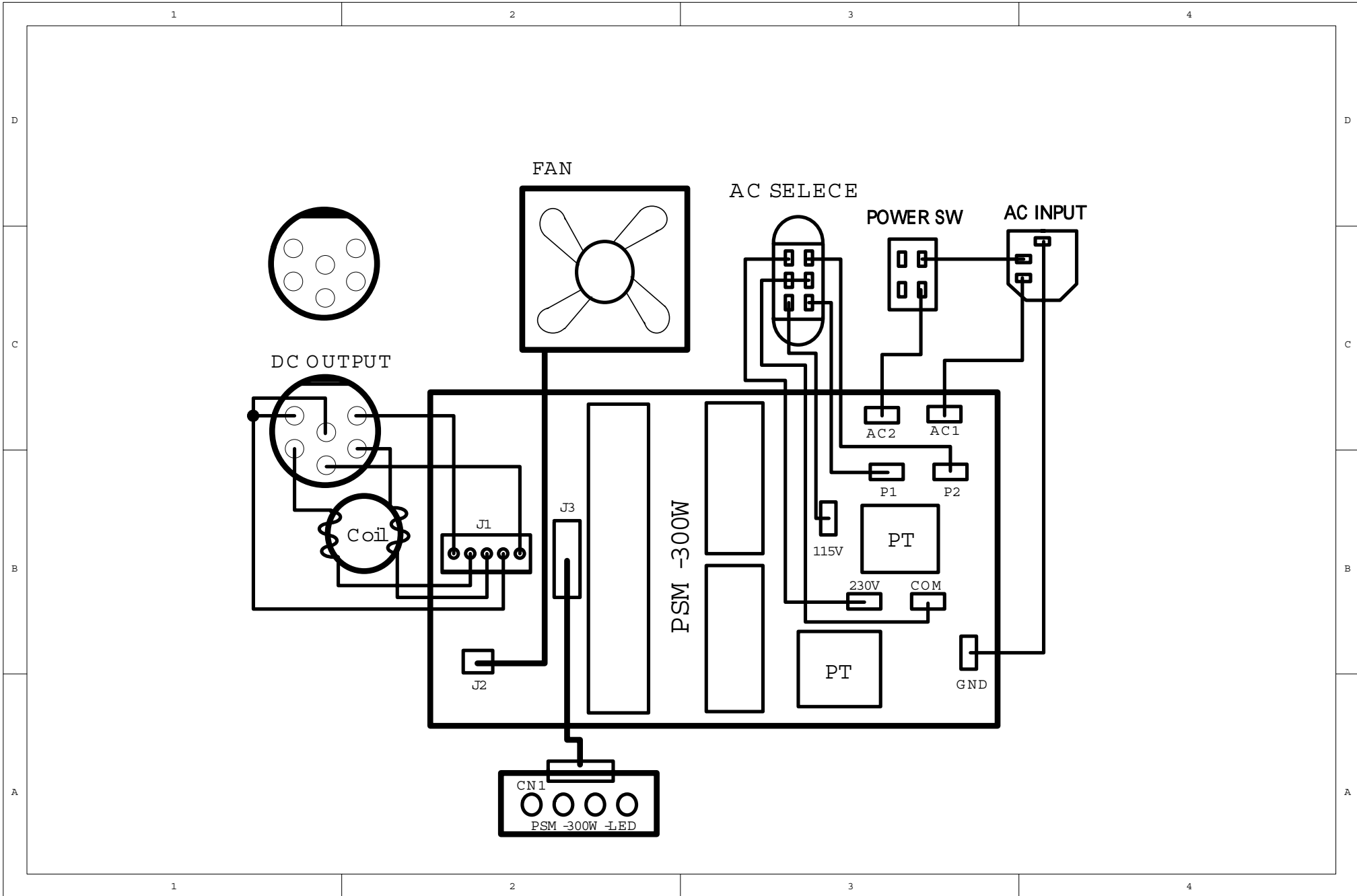




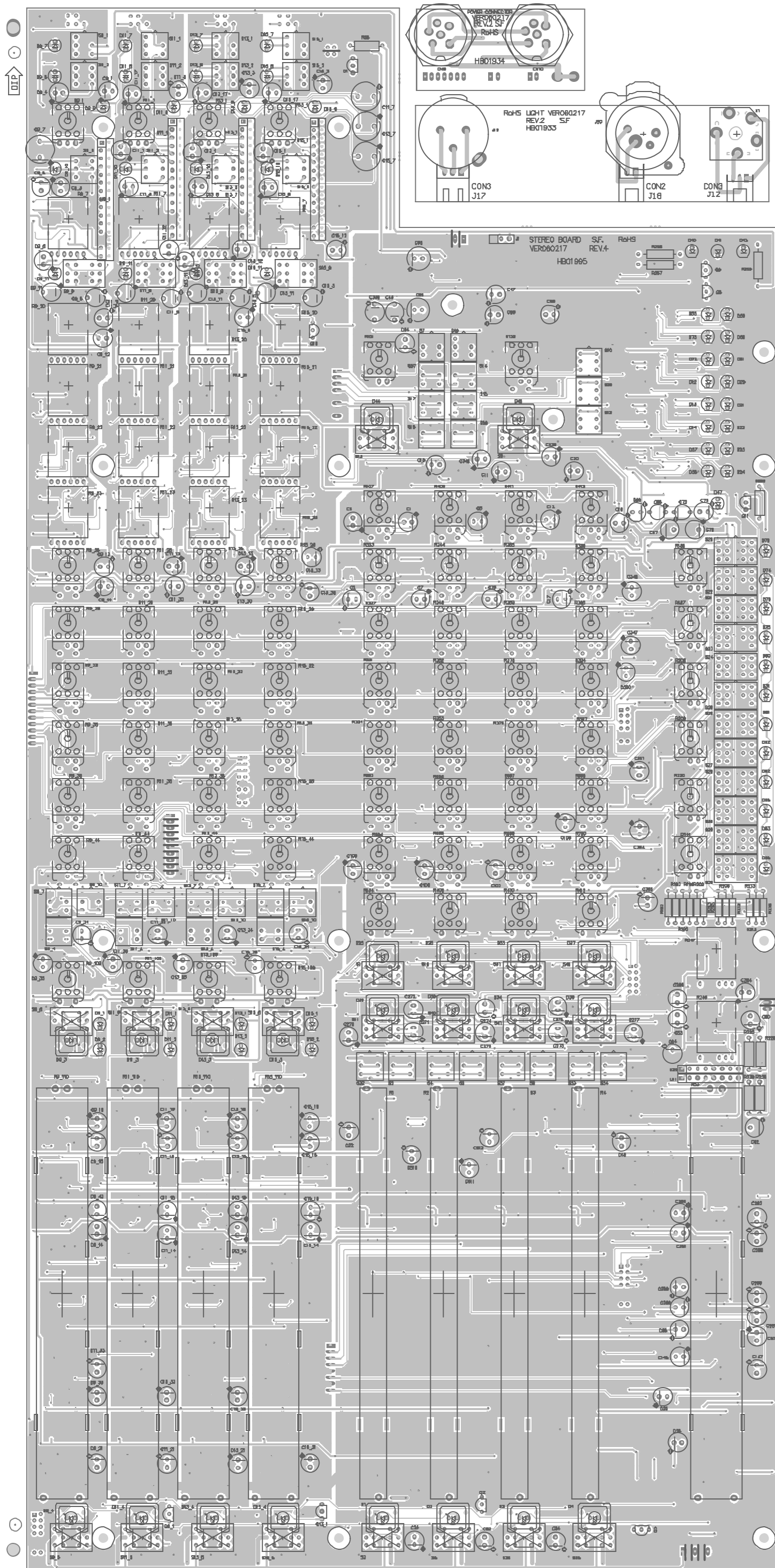
# CYCLONE320



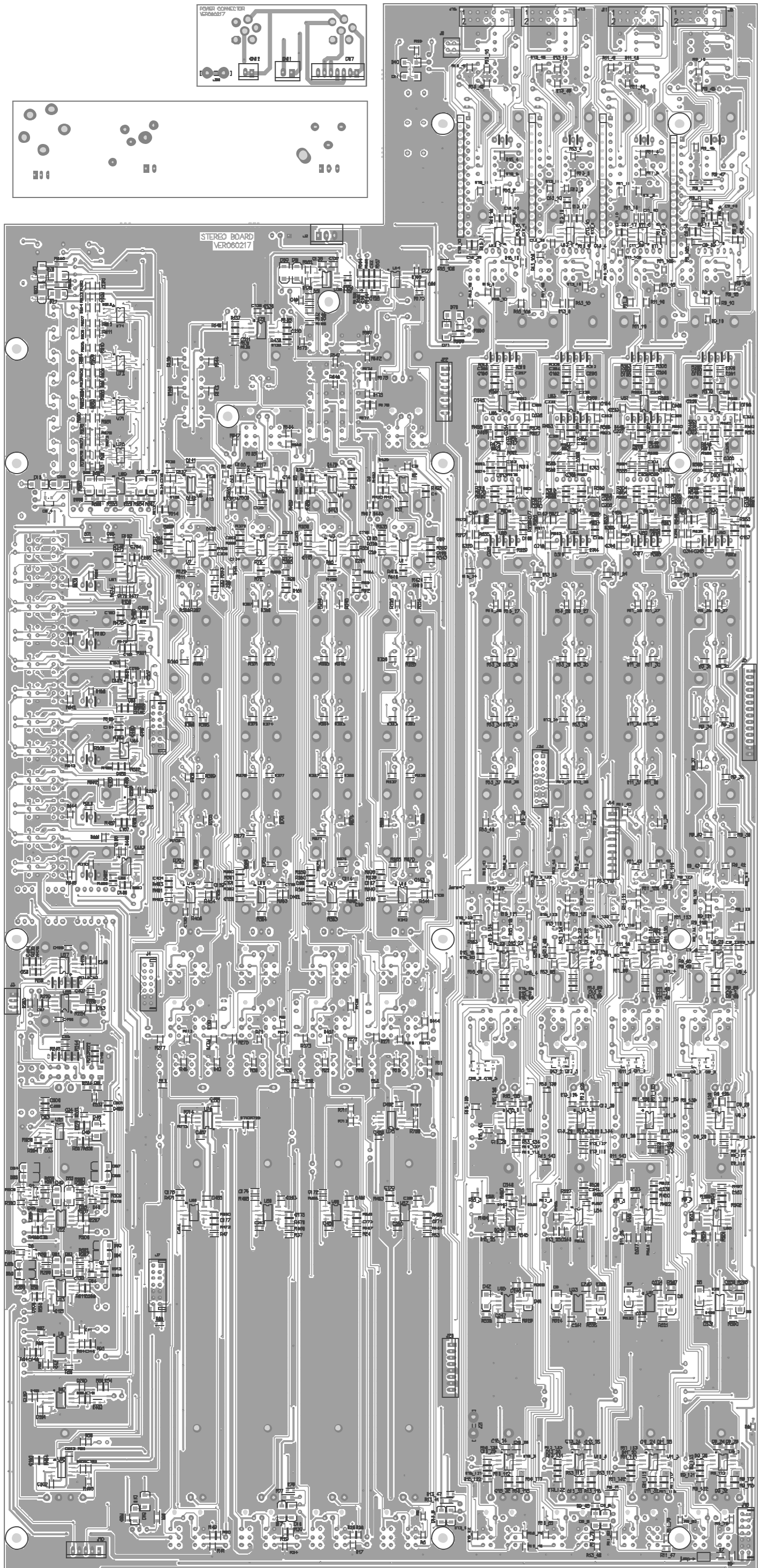
-35-



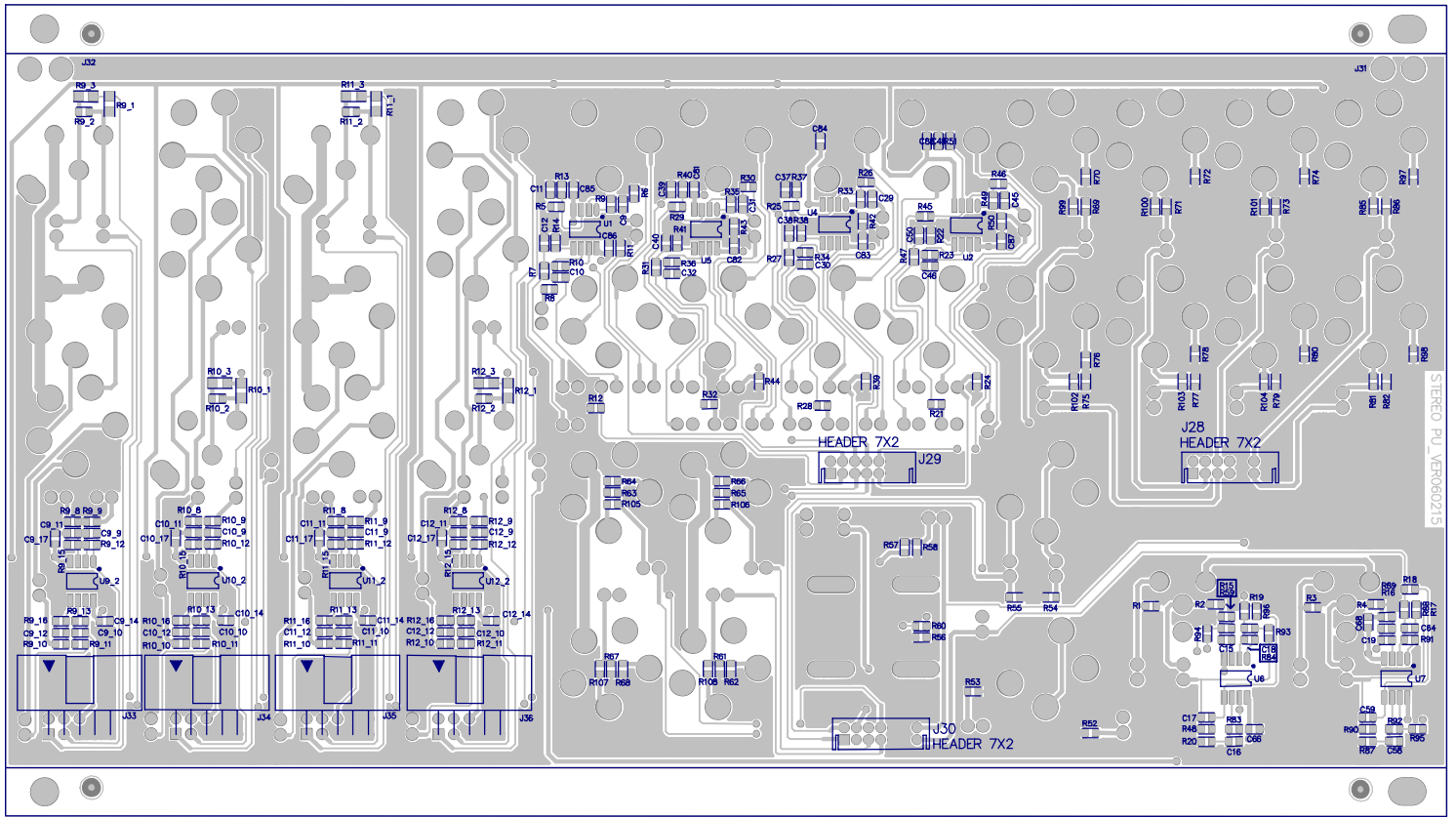
# 6. Printed Circuit Board



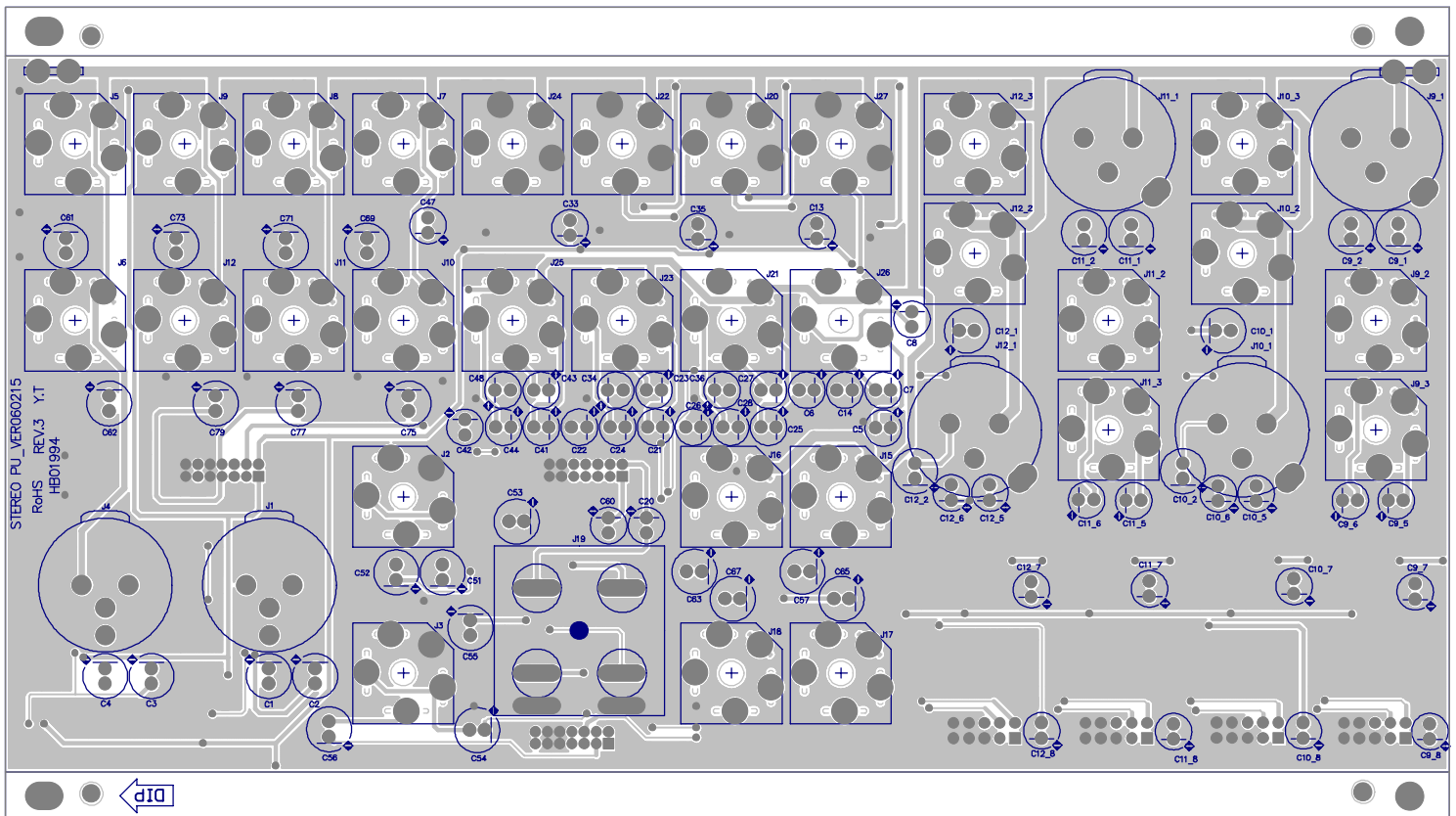
PCB: POWER  
CONNECTOR  
LIGHT  
STEREO BOARD  
BOTTOM LAYER  
BOTTOM OVERLAY  
BOTTOM SOLDER



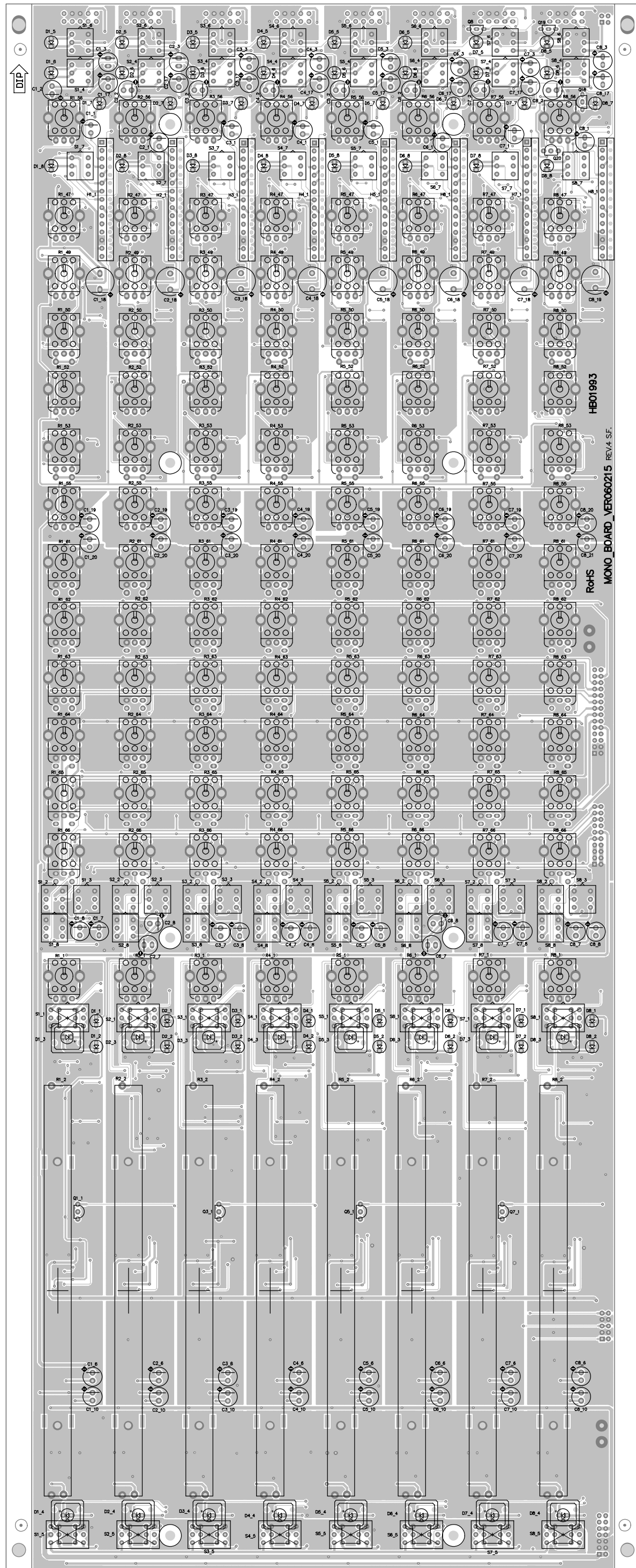
PCB: POWER  
 CONNECTOR  
 LIGHT  
 STEREO BOARD  
 TOP LAYER  
 TOP OVERLAY  
 TOP SOLDER



PCB:STEREO\_PU BOTTOM LAYER BOTTOM OVERLAY BOTTOM SOLDER

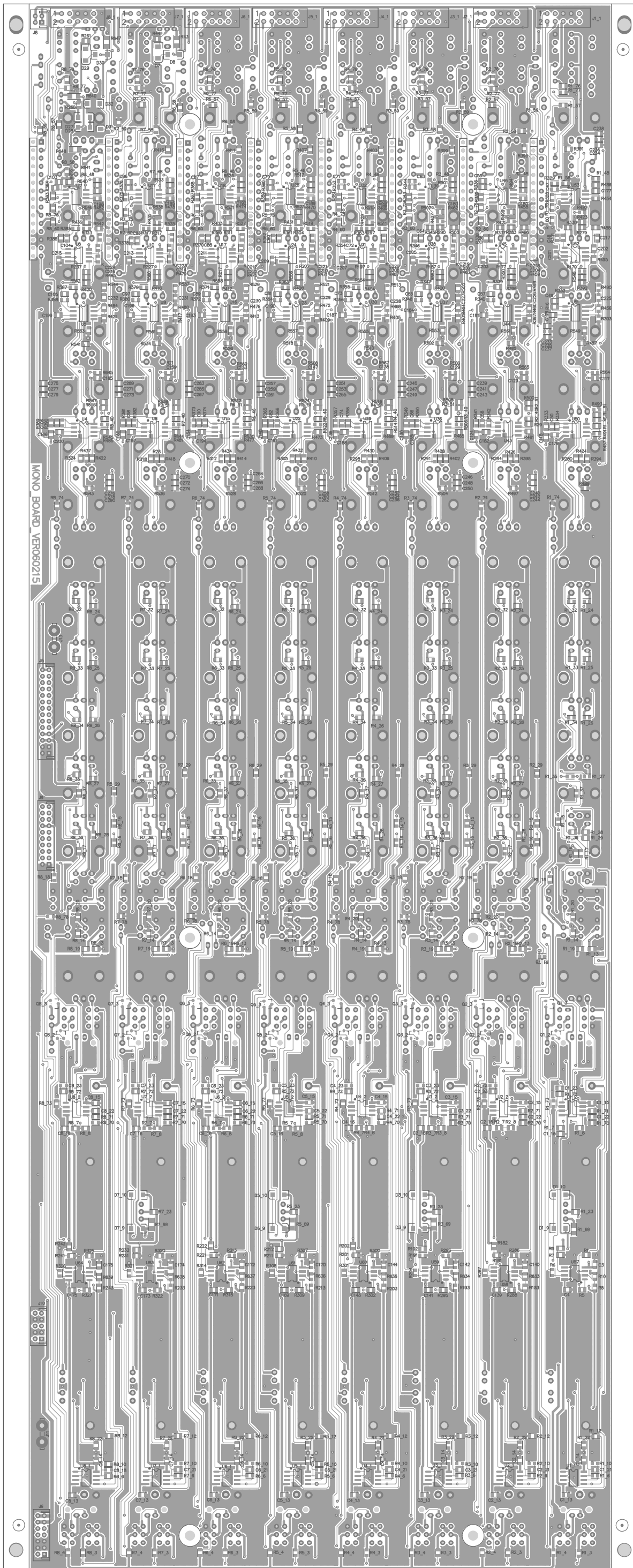


PCB:STEREO\_PU TOP LAYER TOP OVERLAY TOP SOLDER

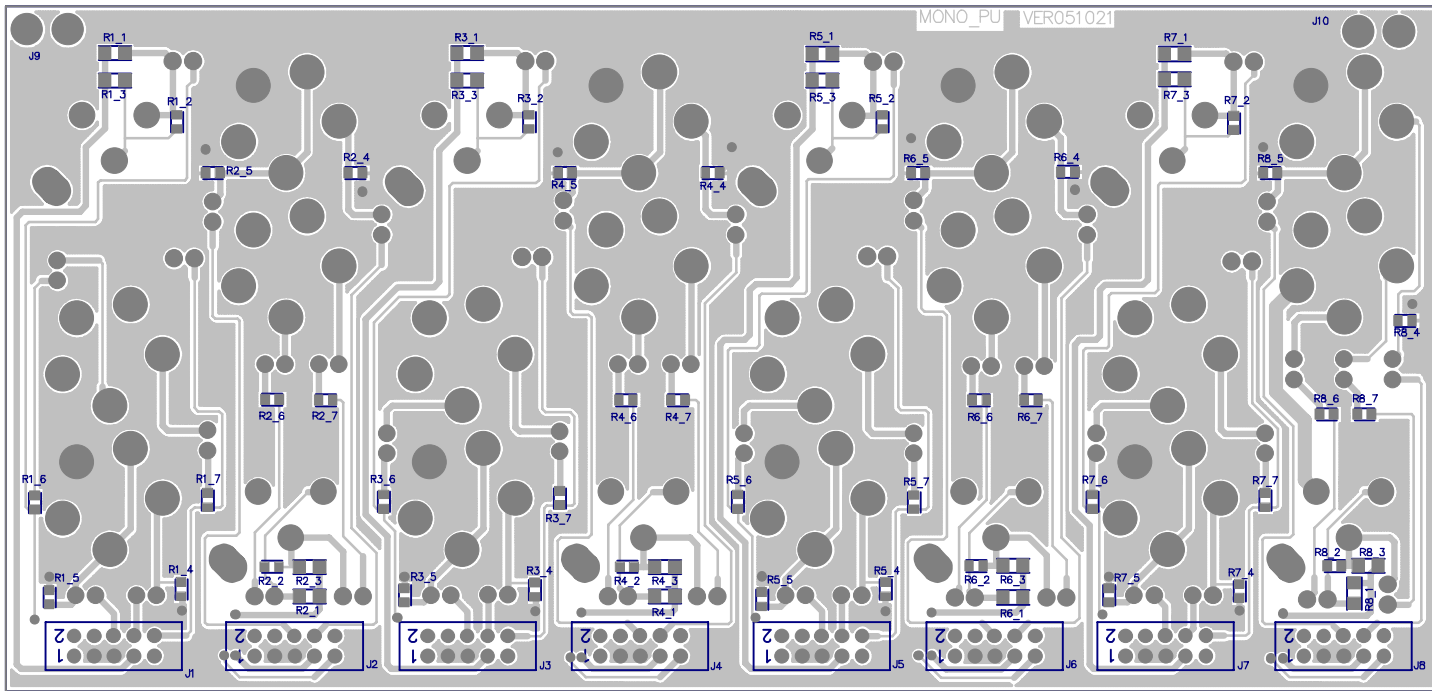


PCB:P-MONO-BOARD  
TOP LAYER  
TOP OVERLAY  
TOP SOLDER



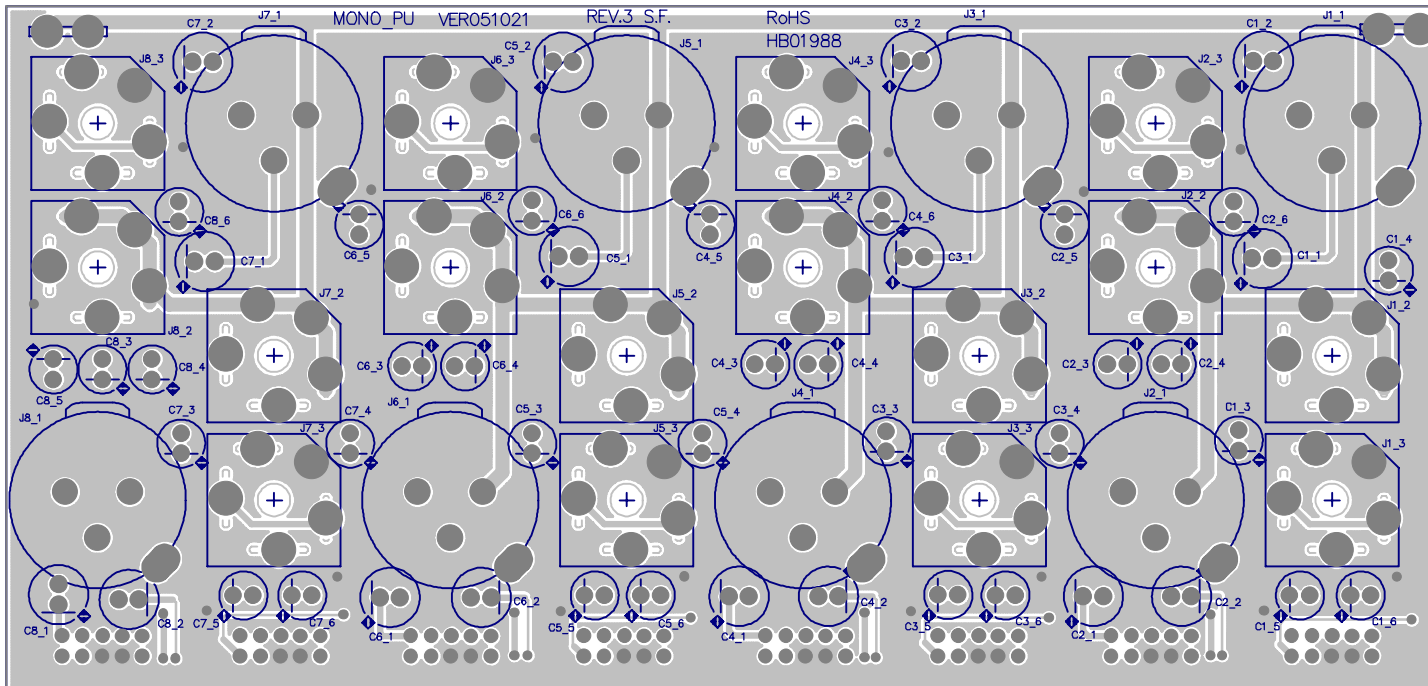


PCB:P-MONO-BOARD  
BOTTOM LAYER  
BOTTOM OVERLAY  
BOTTOM SOLDER



PCB:MONO\_PU BOTTOM LAYER BOTTOM OVERLAY BOTTOM SOLDER

PCB:MONO\_PU TOP LAYER TOP OVERLAY TOP SOLDER



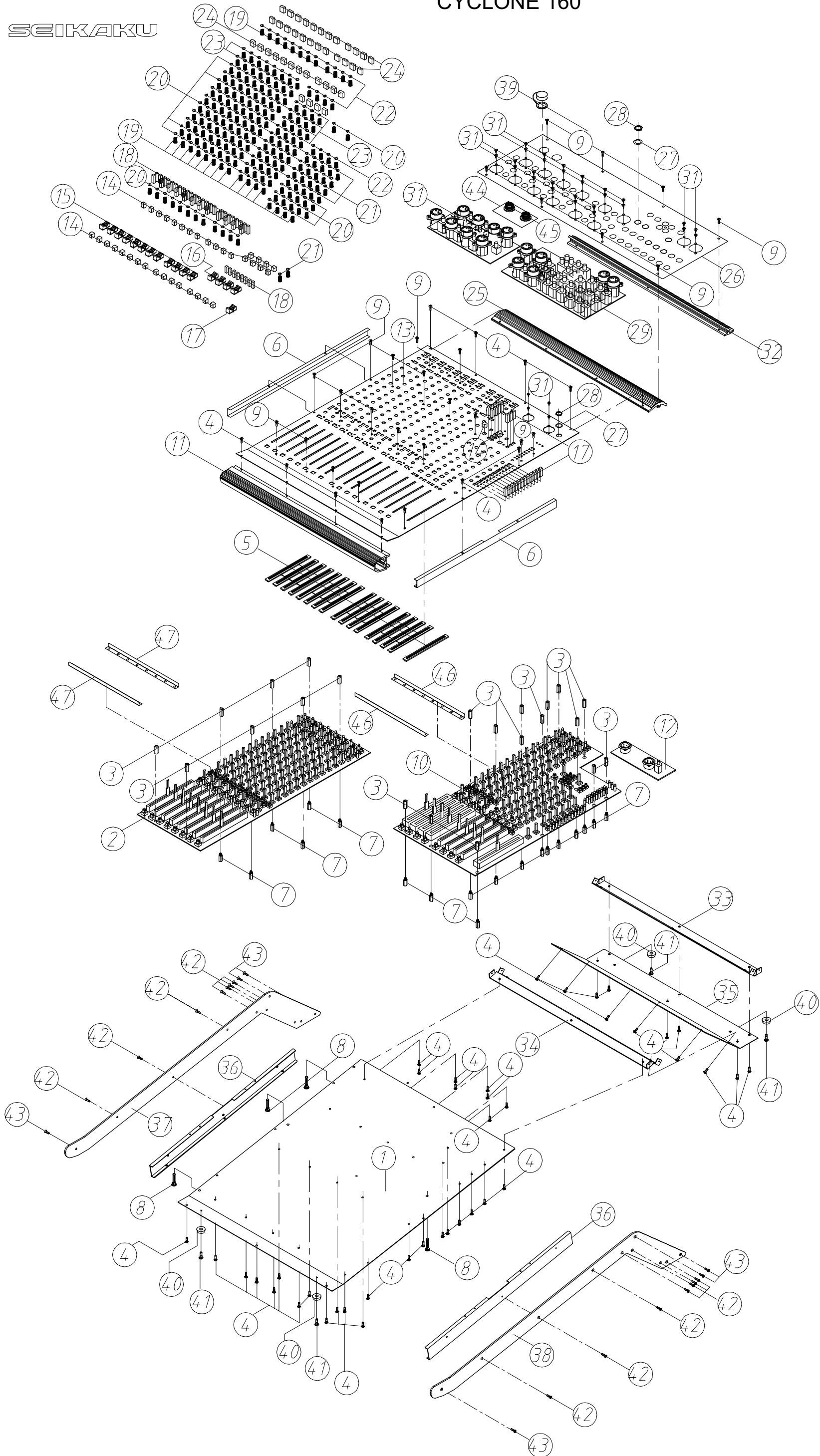




7. Exploded View & Mechanical Parts List

CYCLONE 160

SEIKAKU

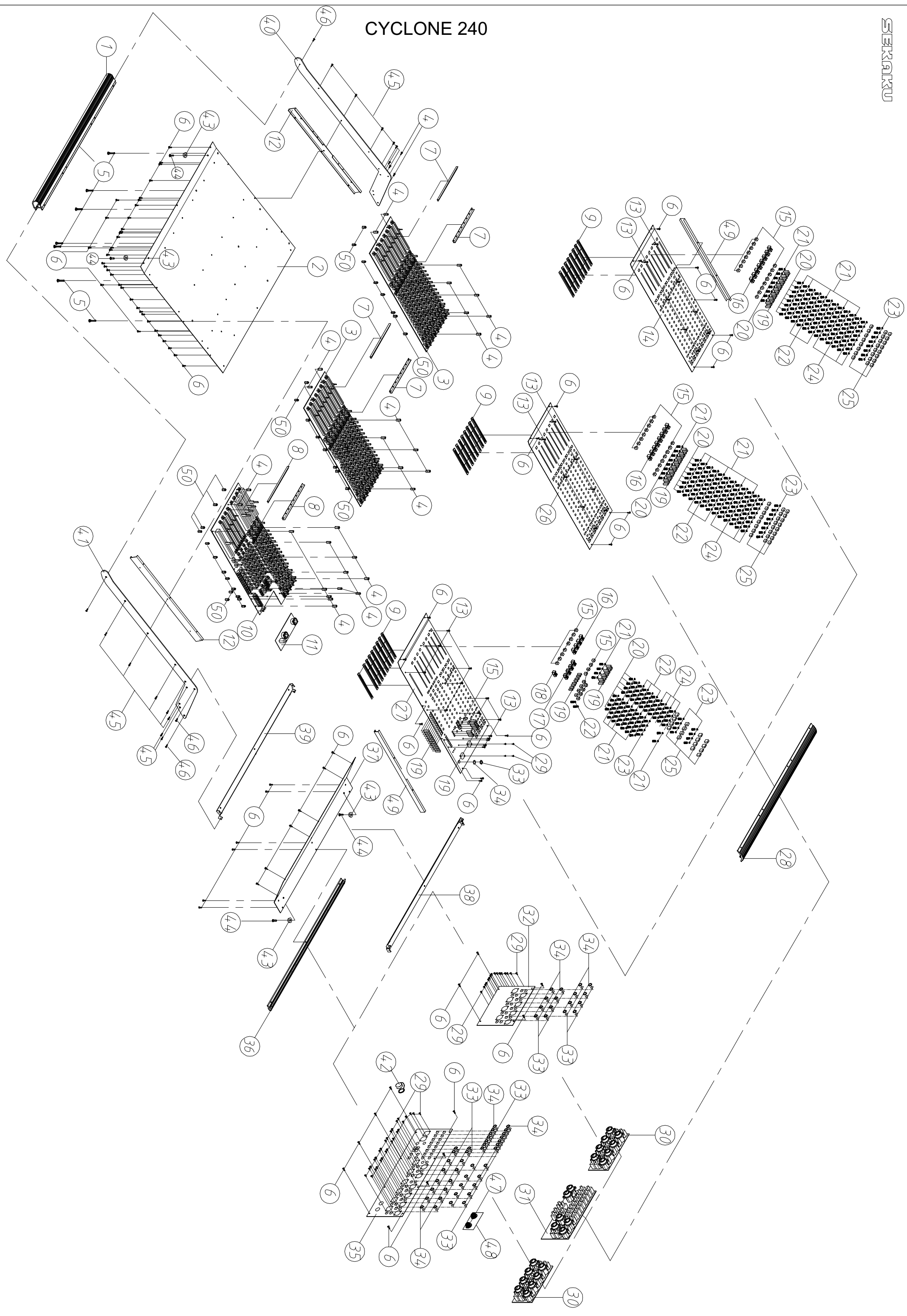


## Part List(CYCLONE160)

Mechanical Parts List				
No.	Item NO.	Item Description	Specification	pcs
1	MB04305	ZB-chassis base –SR#2000 5249	CYCLONE160_V1.2	1
2	HK06707	K-PC board	P-CYCLONE-MONO_BOARD-DIP	1
3	MG00304	copper pillar-RS	M3*14*0.5PH	22
4	MG00041	black-plated screw-RS-pill	M3*6	66
5	NI04089	fixed bracket-ABS	TYPHOON1600 3.5*76*121 black_V1.0	17
6	MI02951	ZD-fixed bracket-CYCLONE160-13	CYCLONE160 7*8.5*164 L-shape_V1.0	2
7	MG00363	copper pillar-RS	M3*14*0.5PH	2
8	NI03193	PC board barrier	RAM-25 25.4mm	4
9	MG00249	black plated screw	M3*6mm	22
10	HK06709	K-PC board	P-CYCLONE-STEREO_BOARD-DIP	1
11	MI02946	handle	P-CYCLONE160 35*45.25*433.5_V1.2	1
12	HK06710	K-PC board	P-CYCLONE-LIGHT CONNECTOR	1
13	MA05517	ZC-panel-SR#2000 5249	CYCLONE160 ALTO V1.3	1
14	NI03192	ZC-lens	TYPHOON V1.0	38
15	NI03367	slide key-ABS	24*9.5*10.5 CYCLONE V1.0	12
16	NI03056	slide key-ABS	24*9.5*10.5 TYPHOON V1.0	4
17	NI03055	slide key-ABS	24*9.5*10.5 TYPHOON V1.0	1
18	NI03140	button	5*5*9	67
19	NI00359	plastic knob	10*16.5 COOL GRAY 8C	206
20	NI02692	knob cover-ABS	7*3.5 black	85
21	NI02867	knob cover-ABS	7*3.5 221U V1.0	53
22	NI03161	knob cover-ABS	7*3.5 yellow V1.0	20
23	NI02678	knob cover-ABS	7*3.5 534C blue	48
24	NI03139	button	10*5*9	40
25	MI02947	bracket	CYCLONE160 25.52*51.45*433.5_V1.2	1
26	MB04355	ZC-rear panel-SR#2000 5249	CYCLONE160 V1.3	1
27	MF00061	T-MIC socket washer-HC00125	JY-6351G-02-250	47
28	ME00060	MIC socket nut-HC00125 accessory	JY-6351G-02-250	47
29	HK060605	K-PC board	P-CYCLONE-MONO PU-DIP	1
30	HKL06608	K-PC board	P-CYCLONE-STEREO PU-DIP	1
31	MG00061	black plated screw-RS-pill-iron plate	M3*10	33
32	MI02949	bracket	CYCLONE160 21.15*26.3*433.5_V1.2	1
33	MI02950	ZD-fixed bracket-CYCLONE160-07	CYCLONE160 27.76*41.39433.5_V1.2	1

34	MI02948	ZD-fixed bracket-CYCLONE160-07	CYCLONE160 27.76*41.39*433.5_V1.2	1
35	MB04307	ZB-chassis-SR#2000 5249	CYCLONE160 V1.2	1
36	MI02951	ZD-fixed bracket-CYCLONE160-12	CYCLONE160 7.5*31.6*420_V1.0	2
37	MJ01290	ZE-side panel	CYCLONE160 left V1.0	1
38	MJ01288	ZE-side panel	CYCLONE160 right V1.0	1
39	NI03710	rubber stopper	50.9*6.8 black V1.1	1
40	NI02842	foot cushion-ABS	Φ21.8*10(FFS-1) V1.0	4
41	MG00027	black plated screw-RS	M3*12	4
42	MG00281	Ni screw-RS	M3*6	14
43	MG00589	Ni screw-RS	M3*4	6
44	HK06711	K-PC board	P-CYCLONE-POWER CONNECTOR	1
45	HC00683	connector	CB-6MC 6P socket (male)	2
46	MI02952	ZD-fixed bracket-CYCLONE160-13	CYCLONE160 7*7.5*164 L_V1.0	2
47	MI02953	ZD-fixed bracket-CYCLONE160-14	CYCLONE160 7*7.5*173 L-V1.0	2

# CYCLONE 240

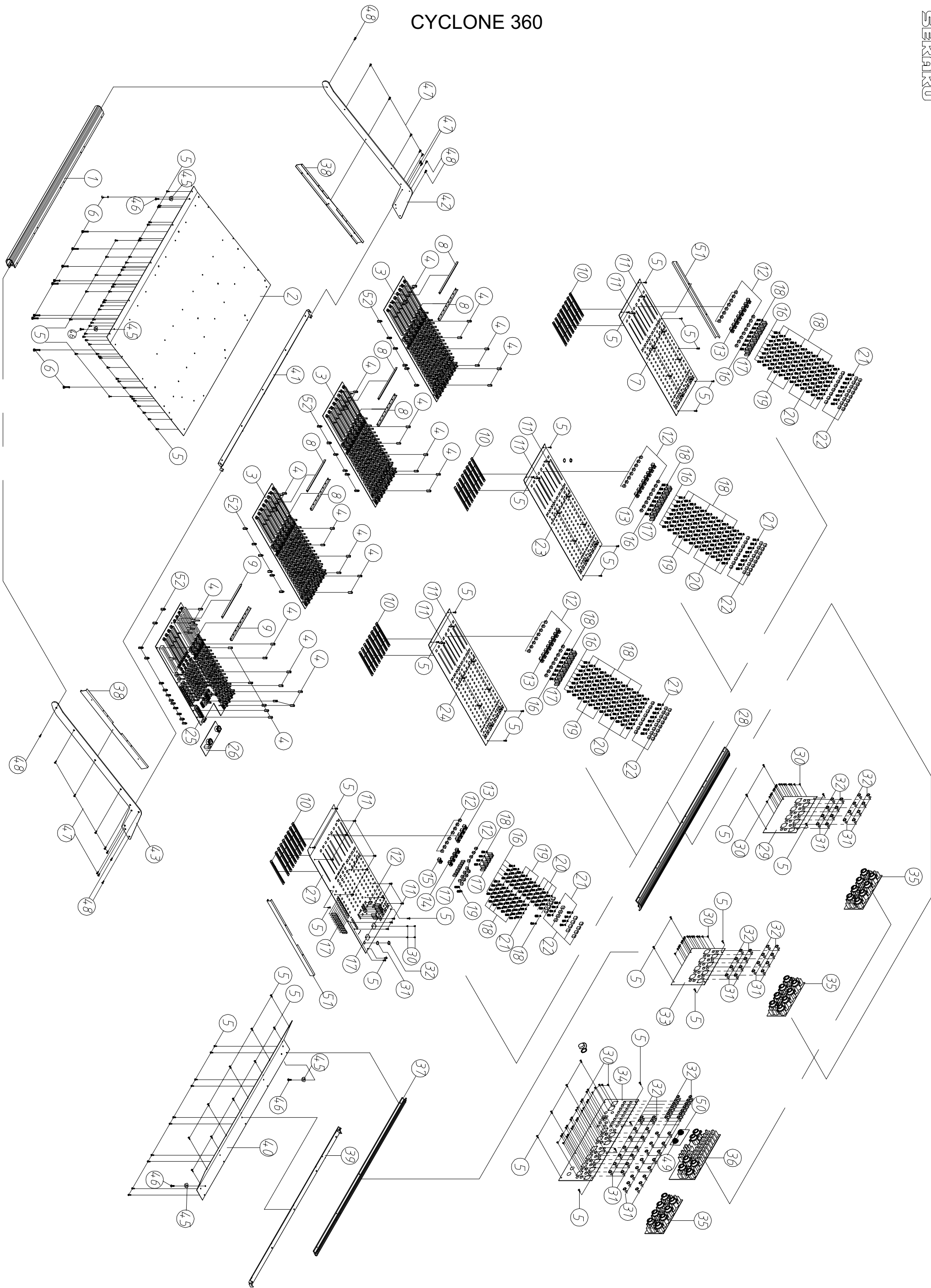


## Part List(CYCLONE 240)

Mechanical Parts List				
No.	Item NO .	Item Description	Specification	pcs
1	M ID2960	handle	CYCLONE240 35*45.25*618.5_V1.1	1
2	MB04319	ZB-chassis-SR#2000 5249	CYCLONE240 left_V1.3	1
3	HK06707	K-PC board	P-CYCLONE-MONO_BOARD-DIP	2
4	MG 00304	copperpillar-RS	M 3*14*0.5PH	30
5	N ID3193	PC board barrier	RAM -25.25.4mm	7
6	MG 00041	black plated screw -pill	M 3*6mm	82
7	M ID2952	ZD-fixed bracket-CYCLONE160-13	CYCLONE160 7*8.5*164 L_V1.0	4
8	M ID2953	ZD-fixed bracket-CYCLONE160-14	CYCLONE160 7*8.5*173 L_V1.0	2
9	N ID4089	stator-ABS	TYPHOON1600 3.5*76*121 black_V1.0	25
10	HK06709	K-PC board	P-CYCLONE-STEREO_BOARD-DIP	1
11	HK06710	K-PC board	P-CYCLONE-LIGHT CONNECTOR	1
12	M ID2951	ZD-fixed bracket-CYCLONE160-12	CYCLONE160 7.5*31.6*420_V1.0	2
13	MG 00249	black plated screw	M 3*6mm	30
14	MA05519	ZC-panel-SR#2000 5249	CYCLONE240 ALTO left_V1.3	1
15	N ID3192	ZC-lens	TYPHOON_V1.0	54
16	N ID3367	slide key-ABS	24*9.5*10.5 TYPHOON_V1.0	20
17	N ID3056	slide key-ABS	24*9.5*10.5 TYPHOON_V1.0	4
18	N ID3055	slide key-ABS	24*9.5*10.5 TYPHOON_V1.0	1
19	N ID3140	button	5*5*9	91
20	N ID0359	plastic knob	10*16.5 COOLGRAY 8C	318
21	N ID2692	knob cover-ABS	7*3.5 black	133
22	N ID2867	knob cover-ABS	7*3.5 221U_V1.0	77
23	N ID3161	knob cover-ABS	7*3.5 yellow_V1.0	28
24	N ID2678	knob cover-ABS	7*3.5 534 blue	80
25	N ID3139	button	10*5*9	64
26	MA05518	ZC-panel-SR#2000 5249	CYCLONE240 ALTO_V1.3	1
27	MA05520	ZC-panel-SR#2000 5249	CYCLONE240 ALTO right_V1.3	1
28	M ID2961	bracket	CYCLONE240 25.52*51.45*618.5_V1.1	1
29	MG 00061	black plated screw -RS -pill	M 3*10	49
30	HK06605	K-PC board	P-CYCLONE-MONO_PU-DIP	2
31	HK06608	K-PC board	P-CYCLONE-STEREO_PU-DIP	1
32	MB04357	ZC-rearpanel-SR#2000 5249	CYCLONE240 right_V1.0	1
33	MF00061	washer	9.6* 13*0.5t	63

34	ME00060	MC socketnutHC00125 accessory	JY-6351G -02-250	63
35	MB04356	ZC-rearpanelSR#2000 5249	CYCLONE240_V1.3	1
36	MD2962	bracket	CYCLONE240 21.15*26.3*618.5_V1.1	1
37	MB04323	ZB-chassisSR#2000 5249	CYCLONE240_V1.1	1
38	MD2987	ZD-fixed bracket-CYCLONE240-08	CYCLONE240 1.2*22.1*35.88*618.5_V1.1	1
39	MD2963	ZD-fixed bracket-CYCLONE240-07	CYCLONE240 27.76*41.37*618.5_V1.1	1
40	MJ01290	ZE-side panel	CYCLONE160 left_V1.0	1
41	MJ01288	ZE-side panel	CYCLONE160 right_V1.0	1
42	ND3710	NiscREW-RS	M 3*6	1
43	ND2842	fofcushon-ABS	21.8*10 (FFS-1)_V1.0	4
44	MG00027	black plated screw-RS	M 3*12	4
45	MG00281	NiscREW-RS	M 3*6	14
46	MG00589	NiscREW-RS	M 3*4	6
47	HC00683	connector	CB-6MC 6P socket (male)	2
48	HK06711	K-PC board	P-CYCLONE-POWER CONNECTOR	1
49	MD2951	ZD-fixed bracket-CYCLONE160-13	CYCLONE160 7*8.5*164 L_V1.0	2
50	MG00363	copperpillar-RS	M 3*14*0.5PH	25

# CYCLONE 360





## PartList(CYCLONE360)

MechanicalParts List				
No.	Item NO .	Item Description	Specification	pcs
1	M ID2964	handle	CYCLONE320 35*45.25*803_V1.1	1
2	MB04325	ZB-chassis-SR#2000 5249	CYCLONE320 left_V1.2	1
3	HK06707	K-PC board	P-CYCLONE-MONO_BOARD-DIP	3
4	MG 00304	copperpillar-RS	M 3*14*0.5PH	38
5	MG 00041	black plated screw -pill	M 3*6mm	110
6	N ID3193	PC board barrier	RAM -25.25.4mm	10
7	MA05519	ZC-panel-SR#2000 5429	CYCLONE240 ALTO left_V1.3	1
8	M ID2952	ZD-fixed bracket-CYCLONE160-13	CYCLONE160 7*8.5*164 L_V1.0	6
9	M ID2953	ZD-fixed bracket-CYCLONE160-14	CYCLONE160 7*8.5*173 L_V1.0	2
10	N ID4089	Stator-ABS	TYPHOON1600 3.5*76*121 black_V1.0	33
11	MG 00249	black plated screw	M 3*6mm	38
12	N ID3192	ZC-lens	TYPHOON_V1.0	70
13	N ID3367	slide key-ABS	24*9.5*10.5 TYPHOON_V1.0	28
14	N ID3056	slide key-ABS	24*9.5*10.5 TYPHOON_V1.0	4
15	N ID3055	slide key-ABS	24*9.5*10.5 TYPHOON_V1.0	1
16	N ID0359	plastic knob	10*16.5 COOLGRAY 8C	430
17	N ID3140	button	5*5*9	115
18	N ID2692	knob cover-ABS	7*3.5 black	181
19	N ID2867	knob cover-ABS	7*3.5 221U_V1.0	101
20	N ID2678	knob cover-ABS	7*3.5 534 blue	112
21	N ID3161	knob cover-ABS	7*3.5 yellow_V1.0	36
22	N ID3139	button	10*5*9	88
23	MA05518	ZC-panel-SR#2000 5249	CYCLONE240 ALTO_V1.3	1
24	MA05520	ZC-panel-SR#2000 5249	CYCLONE240 ALTO right_V1.3	1
25	HK06709	K-PC board	P-CYCLONE-STEREO_BOARD-DIP	1
26	HK06710	K-PC board	P-CYCLONE-LIGHT CONNECTOR	1
27	MA05521	ZC-panel-SR#2000 5249	CYCLONE320 ALTO right_V1.3	1
28	M ID2961	bracket	CYCLONE320 25.52*51.45*803_V1.1	1
29	MB04357	ZC-rearpanel-SR#2000 5249	CYCLONE240 right_V1.0	1
30	MG 00061	black plated screw -RS -pill	M 3*10	65
31	MF00061	washer	9.6* 13*0.5t	79
32	ME00060	M IC socketnutHC00125 accessory	JY-6351G -02-250	79
33	MB04358	ZC-rearpanel-SR#2000 5248	CYCLONE320_V1.3	1

34	MB04359	ZC-rearpanel-SR#2000 5249	CYCLONE320 left_V1.2	1
35	HK06605	K-PC board	P-CYCLONE-MONO_PU-DIP	3
36	HK06608	K-PC board	P-CYCLONE-STEREO_PU-DIP	1
37	MD2966	bracket	CYCLONE320 21.15*26.3*803_V1.2	1
38	MD2951	ZD-fixed bracket-CYCLONE160-12	CYCLONE160 7.5*31.6*420_V1.0	2
39	MD2988	ZD-fixed bracket-CYCLONE320-05	CYCLONE320 1.2*22*35.88*803_V1.2	1
40	MB04327	ZB-chassis-SR#2000 5249	CYCLONE320_V1.2	1
41	MD2967	ZD-fixed bracket-CYCLONE320-04	CYCLONE320 27.76*41.37*803_V1.1	1
42	MJ01290	ZE-side panel	CYCLONE160 left_V1.0	1
43	MJ01288	ZE-side panel	CYCLONE160 right_V1.0	1
44	ND3710	rubber stopper	50.9*6.8 black_V1.1	1
45	ND2842	footcushion-ABS	21.8*10 (FFS-1)_V1.0	4
46	MG00027	black plated screw-RS	M 3*12	4
47	MG00281	Niscrew-RS	M 3*6	14
48	MG00589	Niscrew-RS	M 3*4	6
49	HC00683	connector	CB-6MC 6P socket (male)	2
50	HK06711	K-PC board	P-CYCLONE-POWER CONNECTOR	1
51	MD2951	ZD-fixed bracket-CYCLONE160-13	CYCLONE160 7*8.5*164_L_V1.0	1
52	MG00363	copper pillar-RS	M 3*14*0.5PH	31

## 8. Electrical Parts List

### CYCLONE 160

No.	Part No.	Description	Specification	Remark
1	MA05517	panel	CYCLONE160 ALTO V1.5	
2	MA05500	panel	CYCLONE160	
3	MA05499	panel	CYCLONE160 1.0*433.5*535.2 V1.3	
4	MJ00058	single light board	1*2135*1220 20.45kg	
5	AE00055	solvent	solvent	
6	AE00235	paint	5249	
7	MB04355	chassis	CYCLONE160 V1.4	
8	MB04303	rear board	CYCLONE160	
9	MB04302	rear board	CYCLONE160 1.0*152.6*433.5 V1.2	
10	MJ00058	single light board	1*2135*1220 20.45kg	
11	AE00055	solvent	solvent	
12	AE00235	paint	5249	
13	MB04305	rear board	CYCLONE160 V1.2	
14	AE00055	solvent	solvent	
15	AE00235	paint	5249	
16	MB04304	rear board	CYCLONE160 1.0*433.5*533.26 V1.3	
17	MJ00058	single light board	1*2135*1220 20.45kg	
18	MB04307	rear board	CYCLONE160 V1.2	
19	MB04306	rear board	CYCLONE160 1.0*89.13*433.5 V1.2	
20	MJ00058	single light board	1*2135*1220 20.45kg	
21	AE00235	paint	5249	
22	AE00055	solvent	solvent	
23	MI03549	holder	CYCLONE160 25.52*51.45*433.5 V 1.0	
24	AE00343	.	.	
25	AE00177	paint	4866	
26	MI02947	bracket	CYCLONE160 25.52*51.45*433.5 V1.2	
27	MI03569	bracket	CYCLONE160 25.52*51.45*433.5 V 1.0	
28	MI03550	handle	CYCLONE160 35*45.25*433.5 V 1.0	
29	AE00177	paint	4866	
30	MI02946	handle	CYCLONE160 35*45.25*433.5 V1.2	
31	MI03570	handle	CYCLONE160 35*45.25*433.5 V 1.0	
32	MI03551	holder	CYCLONE160 21.15*26.3*433.5 V 1.0	
33	AE00177	paint	4866	
34	MI02949	bracket	CYCLONE160 21.15*26.3*433.5 V1.2	
35	MI03568	bracket	CYCLONE160 21.15*26.3*433.5 V 1.0	
36	MI02948	fixed bracket	CYCLONE160 27.76*41.39*433.5 V1.2	
37	MJ00063	iron board	1.2*2135*1220 24.54kg	
38	MI02950	fixed bracket	CYCLONE160 22.13*35.77*433.5 V1.2	
39	MJ00063	iron board	1.2*2135*1220 24.54kg	
40	MJ01288	side cover board	CYCLONE160 right V1.0	
41	MJ01287	side cover board	CYCLONE160 3*131.5*737.1 right V1.0	
42	MJ00057	AL plate-RS	3.0t*2000*1000mm 16.32kg	

No.	Part No.	Description	Specification	Remark
43	AE00177	paint	4866	
44	MJ01290	side cover board	CYCLONE160 left V1.0	
45	MJ01289	side cover board	CYCLONE160 3*131.5*737.1 left V1.0	
46	MJ00057	AL plate-RS	3.0t*2000*1000mm 16.32kg	
47	AE00177	paint	4866	
48	MI02955	fixed bracket	CYCLONE160 left V1.0	
49	AE00055	solvent	solvent	
50	AE00235	paint	5249	
51	MI02954	fixed bracket	CYCLONE160 1.5t*25.5*38*515 left V1.0	
52	MJ00088	single light board	1.5*2135*1220 30.67kg	
53	MI02957	fixed bracket	CYCLONE160 right V1.0	
54	AE00055	solvent	solvent	
55	AE00235	paint	5249	
56	MI02956	fixed bracket	CYCLONE160 1.5t*25.5*38*515 right V1.0	
57	MJ00088	single light board	1.5*2135*1220 30.67kg	
58	MI02951	fixed bracket	CYCLONE160 7.5*31.6*420 V1.0	
59	MJ00063	iron board	1.2*2135*1220 24.54kg	
60	HK06605	PC board	P-CYCLONE-MONO PU-DIP	
61	HC00504	connector(male)	10P 2.54mm 180°	J1,J2,J3,J4,J5,J6,J7,J8
62	HC00371	MIC jack	SCJ-0658-1-Y	J1 3,J2 3,J3 3,J4 3,J5 3,J6 3,J7 3,J8 3
63	HC00125	MIC jack-RS	JY-6351G-02-250	J1 2,J2 2,J3 2,J4 2,J5 2,J6 2,J7 2,J8 2
64	HC00126	balance MIC jack-RS	JY-5042-030G female plug 180°	J1 1,J2 1,J3 1,J4 1,J5 1,J6 1,J7 1,J8 1
65	AC00179	tin without lead	M705E Sn 3Ag-0.5Cu	
66	HK06607	PC board	P-CYCLONE-MONO PU-SMD	
67	RD00088	SMD fixed resistor 1/10W	2.2KΩ ±5% 0603	R1 2,R2 2,R3 2,R4 2,R5 2,R6 2,R7 2,R8 2
68	RD00030	SMD fixed resistor 1/8W	6.8KΩ ±5% 0805	R1 1,R1 3,R2 1,R2 3,R3 1,R3 3,R4 1, R4 3,R5 1,R5 3,R6 1,R6 3,R7 1,R7 3, R8 1,R8 3
69	RD00214	SMD precise resistor 1/10W	10.0KΩ ±1% 0603	R1 6,R1 7,R2 6,R2 7,R3 6,R3 7,R4 6, R4 7,R5 6,R5 7,R6 6,R6 7,R7 6,R7 7, R8 6,R8 7
70	RD00224	SMD precise resistor 1/10W	100KΩ ±1% 0603	R1 4,R1 5,R2 4,R2 5,R3 4,R3 5,R4 4, R4 5,R5 4,R5 5,R6 4,R6 5,R7 4,R7 5, R8 4,R8 5
71	AE00449	solder material without lead	9308/Sn Ag Cu	
72	HK06606	PC board	P-CYCLONE-MONO PU-AI	
73	CB00194	electrolytic capacitor	47uF/25V φ5*11mm	C1 3,C1 4,C1 5,C1 6,C2 3,C2 4,C2 5,C2 6, C3 3,C3 4,C3 5,C3 6,C4 3,C4 4,C4 5,C4 6, C5 3,C5 4,C5 5,C5 6,C6 3,C6 4,C6 5,C6 6, C7 3,C7 4,C7 5,C7 6,C8 3,C8 4,C8 5,C8 6
74	CB00249	electrolytic capacitor	47uF/50V φ6.3*11mm 2.5mm	C1 1,C1 2,C2 1,C2 2,C3 1,C3 2,C4 1,C4 2, C5 1,C5 2,C6 1,C6 2,C7 1,C7 2,C8 1,C8 2
75	AC00179	tin without lead	M705E Sn 3Ag-0.5Cu	
76	HB01988	PCB-RS	MONO PU VER051021	
77	HK06707	PC board	P-CYCLONE-MONO BOARD-DIP	
78	RC00483	potentiometer(dual unit)	C50KΩ RD09K12CZ028-50K15C*2(SAS1);30F	R1 50,R1 53,R2 50,R2 53,R3 50,R3 53, R4 50,R4 53,R5 50,R5 53,R6 50,R6 53, R7 50,R7 53,R8 50,R8 53
79	RC00393	slide potentiometer	A10KΩ RFA0S11G6006-10KA(AA)	R1 2,R2 2,R3 2,R4 2,R5 2,R6 2,R7 2,R8 2

No.	Part No.	Description	Specification	Remark
80	RC00530	potentiometer	B20KΩ RD09K12CZ031-20K3Bx2(SAS);30F-C	R1 61,R1 62,R1 63,R1 64,R1 65,R1 66,R2 61,R2 62,R2 63,R2 64,R2 65,R2 66,R3 61,R3 62,R3 63,R3 64,R3 65,R3 66,R4 61,R4 62,R4 63,R4 64,R4 65,R4 66,R5 61,R5 62,R5 63,R5 64,R5 65,R5 66,R6 61,R6 62,R6 63,R6 64,R6 65,R6 66,R7 61,R7 62,R7 63,R7 64,R7 65,R7 66,R8 61,R8 62,R8 63,R8 64,R8 65,R8 66
81	RC00429	potentiometer	B10KΩ RK09K113Z111-10K2B(SAS1);30F-C	R1 1,R2 1,R3 1,R4 1,R5 1,R6 1,R7 1,R8 1
82	RC00358	potentiometer	B50KΩ-RD09F113A223-50K2BT(SAS1);30F-C	R1 47,R1 49,R1 52,R1 55,R2 47,R2 49,R2 52,R2 55,R3 47,R3 49,R3 52,R3 55,R4 47,R4 49,R4 52,R4 55,R5 47,R5 49,R5 52,R5 55,R6 47,R6 49,R6 52,R6 55,R7 47,R7 49,R7 52,R7 55,R8 47,R8 49,R8 52,R8 55
83	RC00356	potentiometer	Z10KΩ RD09F1130042-10KZ(SAS1);30F	R1 56,R2 56,R3 56,R4 56,R5 56,R6 56,R7 56,R8 56
84	SB00062	transistor	BC337-25	Q1 1,Q3 1,Q5 1,Q7 1,Q8,Q18,Q19,Q20
85	SA00052	L.E.D	φ3 round(green)long foot 26	D1 2,D2 2,D3 2,D4 2,D5 2,D6 2,D7 2,D8 2
86	SA00053	L.E.D	φ3 round(red)long foot 26mm	D1 1,D1 5,D1 6,D1 7,D1 8,D2 1,D2 5,D2 6,D2 7,D2 8,D3 1,D3 5,D3 6,D3 7,D3 8,D4 1,D4 5,D4 6,D4 7,D4 8,D5 1,D5 5,D5 6,D5 7,D5 8,D6 1,D6 5,D6 6,D6 7,D6 8,D7 1,D7 5,D7 6,D7 7,D7 8,D8 1,D8 5,D8 6,D8 7,D8 8
87	SA00071	L.E.D	φ3 green LVG2340/A	D1 4,D2 4,D3 4,D4 4,D5 4,D6 4,D7 4,D8 4
88	SA00072	L.E.D	φ3 red LI2340/A	D1 3,D2 3,D3 3,D4 3,D5 3,D6 3,D7 3,D8 3
89	NI01773	LED spacer support	LEDS-13	
90	NI02384	LED spacer support	LEDS-4 4mm	
91	HI00237	push-button switch-RS	2stage 12P PS-13422R(SELF-LOCK)	S1 1,S1 5,S2 1,S2 5,S3 1,S3 5,S4 1,S4 5,S5 1,S5 5,S6 1,S6 5,S7 1,S7 5,S8 1,S8 5
92	HI00236	push-button switch-RS	2-stage 6P PS-9226A(SELF-LOCK)	S1 2,S1 3,S1 4,S1 6,S1 7,S1 8,S2 2,S2 3,S2 4,S2 6,S2 7,S2 8,S3 2,S3 3,S3 4,S3 6,S3 7,S3 8,S4 2,S4 3,S4 4,S4 6,S4 7,S4 8,S5 2,S5 3,S5 4,S5 6,S5 7,S5 8,S6 2,S6 3,S6 4,S6 6,S6 7,S6 8,S7 2,S7 3,S7 4,S7 6,S7 7,S7 8,S8 2,S8 3,S8 4,S8 6,S8 7,S8 8
93	HC00626	connector	2.5 180° 1*15P B24-1*15BG1(A)H5	H1 1,H2 1,H3 1,H4 1,H5 1,H6 1,H7 1,H8 1
94	HC00339	connect terminal	6.5m/m (PCF250)	J13
95	HC00883	connector(male)-RS	2P 2.0mm 180°(A2004WV-2*2P)	J8
96	HC00884	connector(male)-RS	5P 2.0mm 180°(A2004WV-2*5P)	J10
97	HC00885	connector(male)-RS	7P 2.0mm 180°(A2004WV-2*7P)	J6
98	HC00887	connector(male)-RS	10P 2.0mm 180°(A2004WV-2*10P)	J9
99	HC00888	connector(male)-RS	14P 2.0mm 180°(A2004WV-2*14P)	J5
100	HA04570	wire-RS	10P-10P 120mm UL2651 28AWG PH1.27mm	J1 1,J2 1,J3 1,J4 1,J5 1,J6 1,J7 1,J8 1
101	HK02084	PC board	P-MONO PRE 60dB REV03-DIP	
102	HC00717	connector	2.54 180° 15P 16.5 2.5/5/9mm	CON1
103	HK02085	PC board	P-MONO PRE 60dB REV03-SMD	
104	RD00116	SMD fixed resistor 1/10W	100KΩ ±5% 0603	R33
105	CI00075	SMD ceramic capacitor 0603	0.1uF/50V Y5V +80,-20%	C6,C7,C23,C24
106	RD00101	SMD fixed resistor 1/10W	10KΩ ±5% 0603	R24,R25,R27,R28
107	RD00214	SMD precise resistor 1/10W	10.0KΩ ±1% 0603	R22,R23
108	CI00071	SMD ceramic capacitor 0603	0.01uF/50V X7R ±10%	C10,C11
109	RD00201	SMD precise resistor 1/10W	1.50KΩ ±1% 0603	R31,R32
110	CI00065	SMD ceramic capacitor 0603	0.001uF/50V X7R ±10%	C16,C17

No.	Part No.	Description	Specification	Remark
111	RD00306	SMD fixed resistor 1/10W	20KΩ ±5% 0603	R4,R5,R7
112	RD00204	SMD precise resistor 1/10W	2.49KΩ ±1% 0603	R9,R10,R11,R12,R13,R14,R15
113	CI00062	SMD ceramic capacitor 0603	330PF/50V NPO ±5 %	C9
114	SF00053	transistor	MMBT3906(SOT-23)/(PHI)	TR4,TR1,TR2,TR3
115	RD00078	SMD fixed resistor 1/10W	470Ω ±5% 0603	R16,R17
116	RD00355	SMD fixed resistor 1/10W	4.7Ω ±5% 0603	R3
117	RD00210	SMD precise resistor 1/10W	5.11KΩ ±1% 0603	R18,R19,R20,R21
118	RD00097	SMD fixed resistor 1/10W	6.8KΩ ±5% 0603	R29,R30
119	SE00028	SMD rectifier diode	BAS316,115	D1
120	HB01400	PCB	MONO PRE 60dB ALTO REV04	
121	AE00449	solder material without lead	9308/Sn Ag Cu	
122	SE00011	SMD rectifier diode	RLS4148 0.5A (LL-34)	D2,D3,D4,D5
123	RD00065	SMD fixed resistor 1/10W	47Ω ±5% 0603	R1,R2
124	CI00266	SMD ceramic capacitor-RS 0603	22PF/50V NPO ±5 %	C8,C12,C13,C14,C15
125	SG00122	SMD integrated circuit	NJM4580M-TE3	U1,U2,U3
126	SB00175	transistor	2SA970-BL(TE2;T)	TR5,TR6
127	AC00179	tin without lead	M705E Sn 3Ag-0.5Cu	
128	ND00083	EV foam	10*25*5	
129	MI02952	fixed bracket	CYCLONE160 7*7.5*164 L type V1.0	
130	MJ00061	iron board	1*2135*1220 20.45kg	
131	MG00199	screw	M3*4	
132	AC00179	tin without lead	M705E Sn 3Ag-0.5Cu	
133	HK06700	PC board	P-CYCLONE-MONO BOARD-SMD	
134	RD00006	SMD fixed resistor 1/8W	100Ω ±5% 0805	R1 69,R3 69,R5 69,R7 69,R43,R64 0,R647,R648
135	RD00068	SMD fixed resistor 1/10W	100Ω ±5% 0603	R10,R633,R634,R635,R636,R637,R6 38,R639
136	RD00079	SMD fixed resistor 1/10W	560Ω ±5% 0603	R1 48,R1 75,R2 48,R2 75,R3 48,R3 75,R4 48,R4 75,R5 48,R5 75,R6 48,R6 75,R7 48,R 7 75,R8 48,R8 75
137	RD00083	SMD fixed resistor 1/10W	1.0KΩ ±5% 0603	R454,R455,R456,R457,R458,R459,R460, R461,R462,R463,R464,R465,R466,R467, R468,R469,R470,R471,R472,R473,R474, R475,R476,R477,R478,R479,R480,R481, R482,R483,R484,R485
138	RD00089	SMD fixed resistor 1/10W	2.7KΩ ±5% 0603	R391,R392,R393,R394,R395,R396,R397, R398,R399,R400,R401,R402,R403,R404, R405,R406,R407,R408,R409,R410,R411, R412,R413,R414,R415,R416,R417,R418, R419,R420,R421,R422
139	RD00093	SMD fixed resistor 1/10W	4.7KΩ ±5% 0603	R1 10,R2 10,R3 10,R4 10,R5 10,R6 10,R7 10,R8 10
140	RD00094	SMD fixed resistor 1/10W	5.1KΩ ±5% 0603	R1 12,R1 7,R1 8,R2 12,R2 7,R2 8,R3 12,R 3 7,R3 8,R4 12,R4 7,R4 8,R5 12,R5 7,R5 8 ,R6 12,R6 7,R6 8,R7 12,R7 7,R7 8,R8 12,R 8 7,R8 8
141	RD00095	SMD fixed resistor 1/10W	5.6KΩ ±5% 0603	R29,R486,R487,R488,R489,R490,R491,R492, R493,R494,R495,R496,R497,R498,R499,R500, R501,R502,R503,R504,R505,R506,R507,R508, R509,R510,R511,R512,R513,R514,R515,R516, R517,R518,R519,R520,R521,R522,R523,R524, R525,R526,R527,R528,R529,R530,R531,R532, R533,R534,R535,R536,R537,R538,R539,R540, R541,R542,R543,R544,R545,R546,R547,R644

No.	Part No.	Description	Specification	Remark
142	RD00099	SMD fixed resistor 1/10W	8.2KΩ ±5% 0603	R16,R328,R329,R330,R331,R332,R333,R334,R335,R336,R337,R338,R339,R340,R341,R342,R343,R344,R345,R346,R347,R348,R349,R350,R351,R352,R353,R354,R355,R356,R357,R358,R359,R360,R361,R362,R363,R364,R365,R366,R367,R368,R369,R370,R371,R372,R373,R374,R375,R376,R377,R378,R379,R380,R381,R382,R383,R384,R385,R386,R387,R388,R389,R390
143	RD00101	SMD fixed resistor 1/10W	10KΩ ±5% 0603	R1 15,R1 16,R1 17,R1 18,R1 19,R1 20,R1 24,R1 25,R1 26,R1 27,R1 28,R1 29,R1 3,R1 32,R1 33,R1 34,R1 35,R1 36,R1 37,R1 4,R1 59,R1 60,R1 70,R1 71,R1 72,R1 73,R2 15,R2 16,R2 17,R2 18,R2 19,R2 20,R2 24,R2 25,R2 26,R2 27,R2 28,R2 29,R2 3,R2 32,R2 33,R2 34,R2 35,R2 36,R2 37,R2 4,R2 59,R2 60,R2 70,R2 71,R2 72,R2 73,R3 15,R3 16,R3 17,R3 18,R3 19,R3 20,R3 24,R3 25,R3 26,R3 27,R3 28,R3 29,R3 3,R3 32,R3 33,R3 34,R3 35,R3 36,R3 37,R3 4,R3 59,R3 60,R3 70,R3 71,R3 72,R3 73,R4 15,R4 16,R4 17,R4 18,R4 19,R4 20,R4 24,R4 25,R4 26,R4 27,R4 28,R4 29,R4 3,R4 32,R4 33,R4 34,R4 35,R4 36,R4 37,R4 4,R4 59,R4 60,R4 70,R4 71,R4 72,R4 73,R5 15,R5 16,R5 17,R5 18,R5 19,R5 20,R5 24,R5 25,R5 26,R5 27,R5 28,R5 29,R5 3,R5 32,R5 33,R5 34,R5 35,R5 36,R5 37,R5 4,R5 59,R5 60,R5 70,R5 71,R5 72,R5 73,R6 15,R6 16,R6 17,R6 18,R6 19,R6 20,R6 24,R6 25,R6 26,R6 27,R6 28,R6 29,R6 3,R6 32,R6 33,R6 34,R6 35,R6 36,R6 37,R6 4,R6 59,R6 60,R6 70,R6 71,R6 72,R6 73,R7,R7 15,R7 16,R7 17,R7 18,R7 19,R7 20,R7 24,R7 25,R7 26,R7 27,R7 28,R7 29,R7 3,R7 32,R7 33,R7 34,R7 35,R7 36,R7 37,R7 4,R7 59,R7 60,R7 70,R7 71,R7 72,R7 73,R8,R8 15,R8 16,R8 17,R8 18,R8 19,R8 20,R8 24,R8 25,R8 26,R8 27,R8 28,R8 29,R8 3,R8 32,R8 33,R8 34,R8 35,R8 36,R8 37,R8 4,R8 59,R8 60,R8 70,R8 71,R8 72,R8 73,R9,R170,R177,R181,R182,R183,R187,R191,R192,R193,R197,R201,R202,R203,R207,R211,R212,R213,R217,R221,R222,R223,R227,R231,R232,R233,R237,R241,R242,R243
144	RD00116	SMD fixed resistor 1/10W	100KΩ ±5% 0603	R1,R1 13,R1 14,R1 22,R1 57,R1 58,R1 74,R1 76,R1 77,R1 78,R2 13,R2 14,R2 22,R2 57,R2 58,R2 74,R2 76,R2 77,R2 78,R3 13,R3 14,R3 22,R3 57,R3 58,R3 74,R3 76,R3 77,R3 78,R4 13,R4 14,R4 22,R4 57,R4 58,R4 74,R4 76,R4 77,R4 78,R5,R5 13,R5 14,R5 22,R5 57,R5 58,R5 74,R5 76,R5 77,R5 78,R6,R6 13,R6 14,R6 22,R6 57,R6 58,R6 74,R6 76,R6 77,R6 78,R7 13,R7 14,R7 22,R7 57,R7 58,R7 74,R7 76,R7 77,R7 78,R8 13,R8 14,R8 22,R8 57,R8 58,R8 74,R8 76,R8 77,R8 78,R279,R280,R283,R284,R286,R287,R288,R290,R291,R293,R294,R295,R297,R298,R300,R301,R302,R304,R305,R307,R308,R309,R311,R312,R313,R314,R315,R317,R318,R320,R321,R322,R323,R324,R325,R326,R327
145	RD00103	SMD fixed resistor 1/10W	15KΩ ±5% 0603	R21,R564,R565,R566,R567,R568,R569,R645
146	RD00306	SMD fixed resistor 1/10W	20KΩ ±5% 0603	R1 23,R3 23,R5 23,R7 23,R44,R260,R261,R641
147	RD00108	SMD fixed resistor 1/10W	33KΩ ±5% 0603	R1 40,R1 51,R2 40,R2 51,R3 40,R3 51,R4 40,R4 51,R5 40,R5 51,R6 40,R6 51,R7 40,R7 51,R8 40,R8 51

No.	Part No.	Description	Specification	Remark
148	RD00102	SMD fixed resistor 1/10W	12KΩ ±5% 0603	R1 6,R2 6,R3 6,R4 6,R5 6,R6 6,R7 6,R8 6
149	RD00115	SMD fixed resistor 1/10W	82KΩ ±5% 0603	R548,R549,R550,R551,R552,R553,R554,R555,R556,R557,R558,R559,R560,R561,R562,R563
150	RD00118	SMD fixed resistor 1/10W	150KΩ ±5% 0603	R28,R423,R424,R425,R426,R427,R428,R429,R430,R431,R432,R433,R434,R435,R436,R437
151	CI00051	SMD ceramic capacitor 0603	22PF/50V C0G±5%(C1608C0G1H220JT)/TDK	C1 21,C1 22,C1 23,C2 21,C2 22,C2 23,C3 21,C3 22,C3 23,C4 21,C4 22,C4 23,C5 21,C5 22,C5 23,C6 21,C6 22,C6 23,C7 21,C7 22,C7 23,C8 18,C8 22,C8 23,C47,C48,C49,C50,C55,C56,C57,C58,C63,C64,C65,C66,C71,C72,C73,C74,C79,C80,C81,C82,C87,C88,C89,C90,C95,C96,C97,C98,C103,C104,C105,C106
152	CI00096	SMD ceramic capacitor 0603	560PF/50V NPO ±5 %	C217,C218,C219,C220,C221,C222,C223,C224
153	CI00069	SMD ceramic capacitor 0603	0.0033uF/50V X7R ±10 %	C201,C202,C203,C204,C205,C206,C207,C208,C209,C210,C211,C212,C213,C214,C215,C216
154	CI00093	SMD ceramic capacitor 0603	0.015uF/50V X7R ±10%	C177,C178,C179,C180,C181,C182,C183,C184,C185,C186,C187,C188,C189,C190,C191,C192,C193,C194,C195,C196,C197,C198,C199,C200
155	CI00072	SMD ceramic capacitor 0603	0.022uF/50V X7R ±10%	C225,C226,C227,C228,C229,C230,C231,C232
156	CI00075	SMD ceramic capacitor 0603	0.1uF/50V Y5V +80,-20%	C1 13,C1 14,C1 15,C1 16,C2 13,C2 14,C2 15,C2 16,C3,C3 13,C3 14,C3 15,C3 16,C4,C4 13,C4 14,C4 15,C4 16,C5 13,C5 14,C5 15,C5 16,C6 13,C6 14,C6 15,C6 16,C7 13,C7 14,C7 15,C7 16,C8 13,C8 14,C8 15,C8 16,C117,C118,C123,C124,C129,C130,C135,C136,C139,C140,C141,C142,C143,C144,C147,C148,C153,C154,C159,C160,C165,C166,C169,C170,C171,C172,C173,C174,C175,C176,C233,C234,C235,C236,C237,C238,C239,C240,C241,C242,C243,C244,C245,C246,C247,C248,C249,C250,C251,C252,C253,C254,C255,C256,C257,C258,C259,C260,C261,C262,C263,C264,C265,C266,C267,C268,C269,C270,C271,C272,C273,C274,C275,C276,C277,C278,C279,C280
157	SE00011	SMD rectifier diode	RLS4148 0.5A (LL-34)	D1 10,D1 9,D3 10,D3 9,D5 10,D5 9,D7,D7 10,D7 9,D8,D27,D28,D29,D30,D31,D32
158	SF00053	transistor	MMBT3906(SOT-23)/(PHI)	Q1 2,Q1 3,Q2 2,Q2 3,Q3 2,Q3 3,Q4 2,Q4 3,Q5 2,Q5 3,Q6 2,Q6 3,Q7 2,Q7 3,Q8 2,Q8 3
159	SG00122	SMD integrated circuit	NJM4580M-TE3	U1 1,U1 2,U2 1,U2 2,U3 1,U3 2,U4,U4 1,U4 2,U5,U5 1,U5 2,U6,U6 1,U6 2,U7,U7 1,U7 2,U8,U8 1,U8 2,U9,U10,U11,U15,U16,U17,U18,U22,U23,U24,U25,U29,U30,U31,U32,U36,U37,U38,U39,U43,U44,U45,U46,U50,U51,U52,U53,U57,U58,U59,U60,U61,U62,U63,U64
160	AE00449	solder material without lead	9308/Sn Ag Cu	
161	HK06706	PC board	P-CYCLONE-MONO BOARD-AI	
162	CB00069	electrolytic capacitor	1000uF/6.3V φ8*11mm	C1 18,C2 18,C3 18,C4 18,C5 18,C6 18,C7 18,C8 19
163	CB00194	electrolytic capacitor	47uF/25V φ5*11mm	C1 1,C1 2,C1 3,C1 6,C1 7,C1 8,C
164	HA01933	jump	2.5mm	C1 10,C2 10,C3 10,C4 10,C5
165	AC00179	tin without lead	M705E Sn 3Ag-0.5Cu	
166	HB01993	PCB-RS	MONO BOARD VER060215	
167	HK06608	PC board	P-CYCLONE-STEREO PU-DIP	
168	HC00610	connector(male)	10P 2.54mm 90°	J33,J34,J35,J36
169	HC00371	MIC jack	SCJ-0658-1-Y	J2,J3



No.	Part No.	Description	Specification	Remark
170	HC00125	MIC jack-RS	JY-6351G-02-250	J9 2,J9 3,J10 2,J10 3,J11 2,J11 3, J12 2,J12 3,J5,J6,J7,J8,J9,J10,J11,J12,J15,J16,J17,J18,J20,J21,J22,J23,J24,J25,J26,J27
171	HC00403	RCA jack	SCP6873NS3232T2 4P	J19
172	HC00339	connect terminal	6.5m/m (PCF250)	J32
173	HC00885	connector(male)-RS	7P 2.0mm 180°(A2004WV-2*7P)	J28,J29,J30
174	HC00126	balance MIC jack-RS	JY-5042-030G female plug 180°	J9 1,J10 1,J11 1,J12 1
175	HC00392	balance MIC jack-RS	JY-5030-030G 180°	J1,J4
176	AC00179	tin without lead	M705E Sn 3Ag-0.5Cu	
177	HK06610	PC board	P-CYCLONE-STEREO PU-SMD	
178	RD00068	SMD fixed resistor 1/10W	100Ω ±5% 0603	R17,R62,R64,R66,R68,R70,R72,R74,R76,R78, R80,R81,R85,R93,R94,R95,R97,R98,R99,R100 ,R101,R102,R103,R104,R105,R106,R107,R108
179	RD00083	SMD fixed resistor 1/10W	1.0KΩ ±5% 0603	R57,R60
180	RD00088	SMD fixed resistor 1/10W	2.2KΩ ±5% 0603	R9 2,R10 2,R11 2,R12 2
181	RD00214	SMD precise resistor 1/10W	10.0KΩ ±1% 0603	R5,R6,R7,R8,R9,R9 8,R9 9,R9 10,R9 11,R9 12,R9 13,R9 15,R9 16,R10,R10 8,R10 9,R10 10,R10 11,R10 12,R10 13,R10 15,R10 16, R11 8,R11 9,R11 10,R11 11,R11 12,R11 13 ,R11 15,R11 16,R12 8,R12 9,R12 10,R12 1 1,R12 12,R12 13,R12 15,R12 16,R13,R14,R1 5,R16,R18,R19,R20,R21,R22,R23,R25,R26,R2 7,R28,R29,R30,R31,R32,R33,R34,R35,R36,R3 7,R38,R40,R41,R45,R46,R47,R48,R49,R51,R5 9,R83,R84,R87,R88,R89,R90,R91,R92,R96
182	RD00105	SMD fixed resistor 1/10W	22KΩ ±5% 0603	R56,R58
183	RD00116	SMD fixed resistor 1/10W	100KΩ ±5% 0603	R1,R2,R3,R4,R11,R12,R24,R39,R42,R43, R44,R50,R52,R53,R54,R55,R61,R63,R65, R67,R69,R71,R73,R75,R77,R79,R82,R86
184	RD00030	SMD fixed resistor 1/8W	6.8KΩ ±5% 0805	R9 1,R9 3,R10 1,R10 3,R11 1,R11 3,R12 1,R12 3
185	CI00051	SMD ceramic capacitor 0603	22PF/50V C0G±5%(C1608C0G1H220JT)/TDK	C9,C9 9,C9 10,C9 11,C9 12,C10,C10 9,C10 10,C10 11,C10 12,C11,C11 9,C11 10,C11 11,C11 12,C12,C12 9,C12 10,C12 11,C12 1 2,C29,C30,C31,C32,C37,C38,C39,C40,C45,C4 6,C49,C50
186	CI00053	SMD ceramic capacitor 0603	33PF/50V C0G±5%(C1608C0G1H330JT)/TDK	C15,C16,C17,C18,C19,C58,C59,C64
187	CI00075	SMD ceramic capacitor 0603	0.1uF/50V Y5V +80,-20%	C9 14,C9 17,C10 14,C10 17,C11 14,C1 1 17,C12 14,C12 17,C66,C68,C81,C82, C83,C84,C85,C86,C87,C88
188	SG00122	SMD integrated circuit	NJM4580M-TE3	U1,U2,U4,U5,U6,U7,U9 2,U10 2,U11 2, U12 2
189	AE00449	solder material without lead	9308/Sn Ag Cu	C42,C44,C46,C47
190	HK06609	PC board	P-CYCLONE-STEREO PU-AI	
191	CB00194	electrolytic capacitor	47uF/25V φ5*11mm	C9 5,C9 6,C9 7,C9 8,C10 5,C10 6,C10 7,C10 8,C11 5,C11 6,C11 7,C11 8,C1 2 5,C12 6,C12 7,C12 8,C1,C2,C3,C4,C 5,C6,C7,C8,C13,C14,C20,C21,C22,C23,C 24,C25,C26,C27,C28,C33,C34,C35,C36,C 41,C42,C43,C44,C47,C48,C51,C52,C53,C 54,C55,C56,C57,C60,C61,C62,C63,C65,C 67,C69,C71,C73,C75,C77,C79
192	CB00249	electrolytic capacitor	47uF/50V φ6.3*11mm 2.5mm	C9 1,C9 2,C10 1,C10 2,C11 1,C11 2,C12 1,C12 2
193	AC00179	tin without lead	M705E Sn 3Ag-0.5Cu	
194	HB01994	PCB-RS	STEREO PU VER060215	

No.	Part No.	Description	Specification	Remark
195	HK06709	PC board	P-CYCLONE-STEREO BOARD-DIP	
196	SD00007	integrated circuit	BA15218N (M5218L substitute)	U11,U29
197	SB00175	transistor	2SA970-BL(TE2;T)	Q8,Q9
198	SB00062	transistor	BC337-25	Q1,Q2,Q3,Q9 1,Q10,Q11,Q13 1
199	SA00052	L.E.D	φ3 round(green)long foot 26	D9 2,D11 2,D13 2,D15 2,D13,D14, D21,D22,D23,D24,D40,D41,D43,D57, D58,D78,D79,D80,D81,D82,D83
200	SA00053	L.E.D	φ3 round(red)long foot 26mm	D9 1,D9 7,D9 8,D9 9,D9 10,D9 11,D11 1,D11 7,D11 8,D11 9,D11 10,D11 11, D13 1,D13 7,D13 8,D13 9,D13 10,D13 11,D15 1,D15 7,D15 8,D15 9,D15 10,D 15 11,D55,D59
201	SA00201	L.E.D	φ5 red(LI3330/A)	D47
202	SA00054	L.E.D	3m/m round(yellow)long foot 26	D12,D20,D31,D32,D35,D36,D60,D61, D72,D73,D74,D75
203	SA00071	L.E.D	φ3 green LVG2340/A	D1,D2,D3,D4,D29,D30,D34,D38,D45, D9 4,D11 4,D13 4,D15 4
204	SA00072	L.E.D	φ3 red LI2340/A	D9 3,D11 3,D13 3,D15 3,D25,D26, D33,D37,D44
205	NI01773	LED spacer support	LEDS-13	
206	NI02384	LED spacer support	LEDS-4 4mm	
207	NI01765	LED spacer support	LEDS-10 10mm	
208	RC00393	slide potentiometer	A10KΩ RFA0S11G6006-10KA(AA)	R1,R2,R3,R4
209	RC00395	slide potentiometer-dual unit	A10K RFA0N12G6501-10KAx2(AA)	R9 110,R11 110,R13 110,R15 110,R53
210	RC00429	potentiometer	B10KΩ RK09K113Z111-10K2B(SAS1);30F-C	R9 109,R11 109,R13 109,R15 109, R408,R410,R412,R434
211	RC00428	potentiometer	B20KΩ RK09K113Z115-20K2B(SAS1);30F-C	R186,R187,R208,R209,R220,R221
212	RC00530	potentiometer	B20KΩ RD09K12CZ031-20K3Bx2(SAS);30F-C	R9 26,R9 29,R9 32,R9 35,R9 38,R9 44 ,R11 26,R11 29,R11 32,R11 35,R11 38 ,R11 44,R13 26,R13 29,R13 32,R13 35 ,R13 38,R13 44,R15 26,R15 29,R15 32 ,R15 35,R15 38,R15 44,R132,R323,R32 7,R331,R334,R344,R348,R352,R355,R36 5,R369,R373,R376,R386,R390,R394,R39 7,R407,R409,R411,R413,R693,R694,R69 5,R696,R697,R698,R699,R700
213	RC00358	potentiometer	B50KΩ-RD09F113A223-50K2BT(SAS1);30F-C	R151
214	RC00360	potentiometer	B50KΩ RD12L12CA23A-50K3BT*2(SAS1);30F-C	R9 7,R9 20,R9 21,R9 22,R9 23,R11 7, R11 20,R11 21,R11 22,R11 23,R13 7,R 13 20,R13 21,R13 22,R13 23,R15 7,R1 5 20,R15 21,R15 22,R15 23,R246,R247
215	RC00356	potentiometer	Z10KΩ RD09F1130042-10KZ(SAS1);30F	R9 1,R11 1,R13 1,R15 1
216	HC00626	connector	2.5 180° 1*15P B24-1*15BG1(A)H5	H9 1,H11 1,H13 1,H15 1
217	HC00339	connect terminal	6.5m/m (PCF250)	J21
218	HI00237	push-button switch-RS	2stage 12P PS-13422R(SELF-LOCK)	S1,S3,S6,S9,S11,S13,S16,S20,S21,S22,S 23,S24,S25,S26,S27,S28,S29,S30,S31,S3 5,S36,S39,S40,S41,S46,S56,S9 5,S9 6,S 9 9,S11 5,S11 6,S11 9,S13 5,S13 6,S1 3 9,S15 5,S15 6,S15 9
219	HI00236	push-button switch-RS	2-stage 6P PS-9226A(SELF-LOCK)	S2,S4,S5,S7,S8,S10,S12,S14,S15,S17,S1 8,S19,S32,S33,S34,S37,S38,S57,S58,S9 1,S9 10,S9 2,S9 3,S9 4,S9 7,S11 1,S1 1 10,S11 2,S11 3,S11 4,S11 7,S13 1,S 13 10,S13 2,S13 3,S13 4,S13 7,S15 1, S15 10,S15 2,S15 3,S15 4,S15 7

No.	Part No.	Description	Specification	Remark
220	HC00077	connector(male)	3P 2.5mm 180°	J2
221	HC00254	connector(male)	3P 2.0mm 180°	J3
222	HC00256	connector(male)	5P 2.0mm 180°	J10
223	HC00259	connector(male)	8P 2.0mm 180°	J22,J23
224	HC00397	connector(male)	10P 2.0mm 180°	J14
225	HC00321	connector(male)	14P 2.0mm 180°	J5
226	HC00883	connector(male)-RS	2P 2.0mm 180°(A2004WV-2*2P)	J6
227	HC00885	connector(male)-RS	7P 2.0mm 180°(A2004WV-2*7P)	J4,J7,J8,J16
228	HC00886	connector(male)-RS	8P 2.0mm 180°(A2004WV-2*8P)	J24
229	HA04569	wire-RS	10P-10P 140mm UL2651 28AWG PH1.27mm	J9,J11,J13,J15
230	HA00392	wire	270mm black L5R5	JUMP
231	HK02084	PC board	P-MONO PRE 60dB REV03-DIP	CN3
232	HC00717	connector	2.54 180° 15P 16.5 2.5/5/9mm	CON1
233	HK02085	PC board	P-MONO PRE 60dB REV03-SMD	CN1
234	RD00116	SMD fixed resistor 1/10W	100KΩ ±5% 0603	R33
235	CI00075	SMD ceramic capacitor 0603	0.1uF/50V Y5V +80,-20%	C6,C7,C23,C24
236	RD00101	SMD fixed resistor 1/10W	10KΩ ±5% 0603	R24,R25,R27,R28
237	RD00214	SMD precise resistor 1/10W	10.0KΩ ±1% 0603	R22,R23
238	CI00071	SMD ceramic capacitor 0603	0.01uF/50V X7R ±10%	C10,C11
239	RD00201	SMD precise resistor 1/10W	1.50KΩ ±1% 0603	R31,R32
240	CI00065	SMD ceramic capacitor 0603	0.001uF/50V X7R ±10%	C16,C17
241	RD00306	SMD fixed resistor 1/10W	20KΩ ±5% 0603	R4,R5,R7
242	RD00204	SMD precise resistor 1/10W	2.49KΩ ±1% 0603	R9,R10,R11,R12,R13,R14,R15
243	CI00062	SMD ceramic capacitor 0603	330PF/50V NPO ±5 %	C9
244	SF00053	transistor	MMBT3906(SOT-23)/(PHI)	TR4,TR1,TR2,TR3
245	RD00078	SMD fixed resistor 1/10W	470Ω ±5% 0603	R16,R17
246	RD00355	SMD fixed resistor 1/10W	4.7Ω ±5% 0603	R3
247	RD00210	SMD precise resistor 1/10W	5.11KΩ ±1% 0603	R18,R19,R20,R21
248	RD00097	SMD fixed resistor 1/10W	6.8KΩ ±5% 0603	R29,R30
249	SE00028	SMD rectifier diode	BAS316,115	D1
250	HB01400	PCB	MONO PRE 60dB ALTO REV04	
251	AE00449	solder material without lead	9308/Sn Ag Cu	
252	SE00011	SMD rectifier diode	RLS4148 0.5A (LL-34)	D2,D3,D4,D5
253	RD00065	SMD fixed resistor 1/10W	47Ω ±5% 0603	R1,R2
254	CI00266	SMD ceramic capacitor-RS 0603	22PF/50V NPO ±5 %	C8,C12,C13,C14,C15
255	SG00122	SMD integrated circuit	NJM4580M-TE3	U1,U2,U3
256	SB00175	transistor	2SA970-BL(TE2;T)	TR5,TR6
257	AC00179	tin without lead	M705E Sn 3Ag-0.5Cu	U8,U9
258	ND00083	EV foam	10*25*5	
259	MI02953	fixed bracket	CYCLONE160 7*7.5*173 L type V1.0	
260	MJ00061	iron board	1*2135*1220 20.45kg	
261	MG00199	screw	M3*4	

No.	Part No.	Description	Specification	Remark
262	AC00179	tin without lead	M705E Sn 3Ag-0.5Cu	
263	HK06701	PC board	P-CYCLONE-STEREO BOARD-SMD	C151,C152,C153,C154
264	RD00059	SMD fixed resistor 1/10W	0.0Ω ±5% 0603	R7,R8,R9
265	RD00006	SMD fixed resistor 1/8W	100Ω ±5% 0805	R9 41,R13 41,R77,R81,R638,R640,R688
266	RD00068	SMD fixed resistor 1/10W	100Ω ±5% 0603	R54,R88,R501,R543,R544,R545
267	RD00069	SMD fixed resistor 1/10W	120Ω ±5% 0603	R678,R679
268	RD00078	SMD fixed resistor 1/10W	470Ω ±5% 0603	R78,R79,R82,R83,R90,R91
269	RD00080	SMD fixed resistor 1/10W	680Ω ±5% 0603	R682,R683
270	RD00082	SMD fixed resistor 1/10W	820Ω ±5% 0603	R672,R673
271	RD00083	SMD fixed resistor 1/10W	1.0KΩ ±5% 0603	R159,R161,R167
272	RD00084	SMD fixed resistor 1/10W	1.2KΩ ±5% 0603	R680,R681
273	RD00086	SMD fixed resistor 1/10W	1.8KΩ ±5% 0603	R556,R557,R558,R559,R560,R561,R562,R563, R564,R565,R566,R567,R568,R569,R570,R571, R572,R573,R574,R575,R576,R577
274	RD00088	SMD fixed resistor 1/10W	2.2KΩ ±5% 0603	R667,R668
275	RD00089	SMD fixed resistor 1/10W	2.7KΩ ±5% 0603	R9 18,R9 9,R11 18,R11 9,R13 18,R13 9,R15 18,R15 9
276	RD00090	SMD fixed resistor 1/10W	3.0KΩ ±5% 0603	R174,R175,R177,R178,R180,R183
277	RD00091	SMD fixed resistor 1/10W	3.3KΩ ±5% 0603	R684,R685
278	RD00093	SMD fixed resistor 1/10W	4.7KΩ ±5% 0603	R9 113,R9 115,R9 131,R9 134,R11 11 3,R11 115,R11 131,R11 134,R13 113,R 13 115,R13 131,R13 134,R15 113,R15 115,R15 131,R15 134,R84,R95,R131,R2 32,R249,R297,R300,R303,R306,R309,R3 12,R315,R318,R335,R343,R358,R364,R3 79,R385,R389,R393,R438
279	RD00094	SMD fixed resistor 1/10W	5.1KΩ ±5% 0603	R9 117,R9 132,R11 117,R11 132,R13 117,R13 132,R15 117,R15 132,R60,R67 ,R70,R72,R75,R100,R104,R111,R120,R1 27,R130,R340,R361,R382,R403,R416,R4 18,R422,R425,R428,R55,R57
280	RD00096	SMD fixed resistor 1/10W	6.2KΩ ±5% 0603	R13,R24,R37,R47
281	RD00097	SMD fixed resistor 1/10W	6.8KΩ ±5% 0603	R153,R154,R298,R299,R301,R302,R 304,R305,R307,R308,R310,R311,R31 3,R314,R316,R317,R319,R320
282	RD00102	SMD fixed resistor 1/10W	12KΩ ±5% 0603	R149,R181,R182
283	RD00103	SMD fixed resistor 1/10W	15KΩ ±5% 0603	R595,R596,R597,R598,R599,R600,R 601,R602,R603,R604,R605,R606,R60 7,R608,R609,R610,R611,R612
284	RD00306	SMD fixed resistor 1/10W	20KΩ ±5% 0603	R9 48,R13 47,R59,R68,R76,R80,R98,R1 28,R260,R266,R267,R268,R269,R278,R2 81,R282,R283,R286,R287,R288,R423,R4 75,R476,R637,R686,R687
285	RD00105	SMD fixed resistor 1/10W	22KΩ ±5% 0603	R150,R179
286	RD00106	SMD fixed resistor 1/10W	27KΩ ±5% 0603	R9 16,R9 17,R9 6,R9 8,R11 16,R11 17 ,R11 6,R11 8,R13 16,R13 17,R13 6,R1 3 8,R15 16,R15 17,R15 6,R15 8
287	RD00107	SMD fixed resistor 1/10W	30KΩ ±5% 0603	R326,R330,R347,R351,R368,R372,R 398,R406,R465,R470,R473,R477,R47 8,R481,R483,R484,R486,R488,R489, R649,R650,R651,R652,R653
288	RD00108	SMD fixed resistor 1/10W	33KΩ ±5% 0603	R664,R666
289	RD00109	SMD fixed resistor 1/10W	39KΩ ±5% 0603	R629,R630,R631,R632,R633,R634,R 635,R636

No.	Part No.	Description	Specification	Remark
290	RD00101	SMD fixed resistor 1/10W	10KΩ ±5% 0603	R5,R6,R9 11,R9 112,R9 119,R9 120,R9 121,R9 122,R9 123,R9 124,R9 125,R9 126,R9 127,R9 128,R9 133,R9 2,R9 2 7,R9 28,R9 30,R9 31,R9 33,R9 34,R9 36,R9 37,R9 39,R9 40,R9 42,R9 43,R9 60,R9 65,R9 68,R9 69,R9 79,R9 82,R 11,R11 11,R11 112,R11 119,R11 120,R 11 121,R11 122,R11 123,R11 124,R11 125,R11 126,R11 127,R11 128,R11 133 ,R11 2,R11 27,R11 28,R11 30,R11 31, R11 33,R11 34,R11 36,R11 37,R11 39, R11 40,R11 42,R11 43,R11 60,R11 65, R11 68,R11 69,R11 79,R11 82,R13 11, R13 112,R13 119,R13 120,R13 121,R1 3 122,R13 123,R13 124,R13 125,R13 1 26,R13 127,R13 128,R13 133,R13 2,R1 3 27,R13 28,R13 30,R13 31,R13 33,R1 3 34,R13 36,R13 37,R13 39,R13 40,R1 3 42,R13 43,R13 60,R13 65,R13 68,R1 3 69,R13 79,R13 82,R15,R15 11,R15 1 12,R15 119,R15 120,R15 121,R15 122, R15 123,R15 124,R15 125,R15 126,R1 5 127,R15 128,R15 133,R15 2,R15 27, R15 28,R15 30,R15 31,R15 33,R15 34, R15 36,R15 37,R15 39,R15 40,R15 42, R15 43,R15 60,R15 65,R15 68,R15 69, R15 79,R15 82,R18,R22,R25,R26,R29,R 30,R35,R39,R42,R46,R49,R50,R61,R64,R 65,R69,R71,R74,R85,R94,R99,R102,R10 3,R110,R112,R114,R124,R125,R129,R13 3,R134,R135,R136,R137,R138,R139,R14 0,R141,R142,R143,R144,R152,R157,R15 8,R163,R164,R165,R170,R184,R223,R22 4,R229,R231,R234,R248,R324,R325,R32 8,R329,R332,R333,R336,R337,R338,R33 9,R341,R342,R345,R346,R349,R350,R35 3,R354,R356,R357,R359,R360,R362,R36 3,R366,R367,R370,R371,R374,R375,R37 7,R378,R380,R381,R383,R384,R387,R38 8,R391,R392,R3,R450,R451,R452,R453, R454,R455,R456,R457,R458,R459,R460, R461,R462,R463,R464,R466,R467,R468, R469,R471,R472,R474,R479,R480,R482, R485,R487,R490,R491,R493,R494,R495, R496,R502,R503,R504,R505,R506,R507, R508,R509,R510,R511,R512,R513,R514, R515,R654,R655,R663,R665,R669,R670, R671,R674,R675,R676,R677,R690,R691, R692,R701,R702,R703,R704,R705,R706, R707,R708,R709,R710,R711,R712,R713, R714,R396,R399,R400,R401,R402,R404, R405,R414,R415,R417,R420,R421,R424, R426,R427,R446,R447,R448,R449
291	RD00118	SMD fixed resistor 1/10W	150KΩ ±5% 0603	R656,R657
292	RD00119	SMD fixed resistor 1/10W	220KΩ ±5% 0603	R578,R579,R580,R581,R582,R583,R 584,R585,R586,R587,R588,R589,R59 0,R591,R592,R593,R594
293	RD00124	SMD fixed resistor 1/10W	820KΩ ±5% 0603	R659,R660,R661,R662
294	RD00125	SMD fixed resistor 1/10W	1.0MΩ ±5% 0603	R613,R614,R615,R616,R617,R618,R 619,R620,R621,R622,R623,R624,R62 5,R626,R627,R628
295	CI00059	SMD ceramic capacitor 0603	100PF/50V NPO ±5%	C59,C61,C92,C96,C149

No.	Part No.	Description	Specification	Remark
296	RD00116	SMD fixed resistor 1/10W	100KΩ ±5% 0603	R9 10,R9 106,R9 108,R9 118,R9 135,R9 139,R9 143,R9 15,R9 19,R9 24,R9 25,R9 3,R9 4,R9 45,R9 46,R9 47,R9 5,R10,R11 10,R11 106,R11 108,R11 118,R11 135,R11 139,R11 143,R11 15,R11 19,R11 24,R11 25,R11 3,R11 4,R11 41,R11 46,R11 47,R11 48,R11 5,R12,R13 10,R13 106,R13 108,R13 118,R13 135,R13 139,R13 143,R13 15,R13 24,R13 25,R13 3,R13 4,R13 45,R13 46,R13 48,R13 5,R14,R15 10,R15 106,R15 108,R15 118,R15 135,R15 139,R15 143,R15 15,R15 19,R15 24,R15 25,R15 3,R15 4,R15 41,R15 45,R15 46,R15 5,R16,R17,R19,R34,R41,R62,R73,R86,R87,R89,R93,R101,R113,R122,R147,R148,R168,R173,R185,R270,R271,R272,R273,R274,R275,R276,R277,R279,R280,R284,R285,R419,R429,R433,R492,R497,R498,R499,R500,R520,R521,R522,R523,R524,R525,R526,R527,R528,R529,R530,R531,R532,R533,R534,R639,R641,R642,R643,R644,R645,R646
297	CI00051	SMD ceramic capacitor 0603	22PF/50V C0G±5%(C1608C0G1H220JT)/TDK	C3,C4,C8,C9,C9 10,C9 2,C9 20,C9 42,C11 10,C11 4,C13 10,C13 4,C15 10,C15 4,C152,C155,C156,C157,C158,C159,C160,C161,C162,C163,C164,C165,C166,C167,C168,C169,C170,C171,C172,C173,C174,C175,C176,C177,C178,C179,C180,C181,C182,C183,C184,C185,C186,C187,C188,C189,C190,C191,C192,C193,C9 32,C9 41,C11 16,C11 2,C11 20,C11 32,C13,C13 16,C13 2,C13 20,C13 32,C14,C15 16,C15 2,C15 20,C15 32,C19,C52,C53,C57,C58,C98,C99,C101,C102,C105,C107,C108,C118,C146,C148,C198,C199,C200,C201,C202,C203,C204,C205,C206,C207,C208,C209,C210,C211,C404
298	CI00067	SMD ceramic capacitor 0603	0.0022uF/50V X7R ±10%	C290,C291,C292,C293,C294,C295,C296,C297
299	CI00069	SMD ceramic capacitor 0603	0.0033uF/50V X7R ±10 %	C322,C323,C324,C325,C326,C327,C328,C329,C330,C331,C332,C333,C334,C335,C336,C337
300	CI00071	SMD ceramic capacitor 0603	0.01uF/50V X7R ±10%	C40,C45,C48,C49,C50,C51,C54
301	CI00093	SMD ceramic capacitor 0603	0.015uF/50V X7R ±10%	C298,C299,C300,C301,C302,C303,C304,C305,C306,C307,C308,C309,C310,C311,C312,C313
302	CI00073	SMD ceramic capacitor 0603	0.033uF/50V X7R ±10%	C314,C315,C316,C317,C318,C319,C320,C321
303	SE00011	SMD rectifier diode	RLS4148 0.5A (LL-34)	D5,D6,D7,D8,D9,D10,D11,D15,D16,D17,D18,D19,D27,D28,D39,D42,D46,D48,D49,D50,D51,D52,D53,D54,D56,D66,D67,D68,D69,D70,D71,D76,D77,D84,D85,D86,D87,D88,D89,D90,D91,D9 5,D9 6,D13 5,D13 6

No.	Part No.	Description	Specification	Remark
304	CI00075	SMD ceramic capacitor 0603	0.1uF/50V Y5V +80,-20%	C9 22,C9 23,C9 24,C9 25,C9 28,C9 29,C9 39,C9 40,C11 22,C11 23,C11 24,C11 25,C1 1 28,C11 29,C11 39,C11 40,C13 22,C13 23, C13 24,C13 25,C13 28,C13 29,C13 39,C13 40,C15 22,C15 23,C15 24,C15 25,C15 28,C 15 29,C15 39,C15 40,C29,C30,C31,C32,C33, C34,C35,C36,C41,C42,C63,C65,C68,C71,C113 ,C114,C115,C116,C117,C119,C120,C121,C122 ,C123,C124,C125,C127,C128,C129,C130,C135 ,C136,C137,C138,C139,C140,C141,C142,C143 ,C144,C151,C153,C154,C228,C229,C230,C231 ,C232,C233,C234,C235,C236,C237,C238,C239 ,C240,C241,C242,C243,C244,C245,C246,C247 ,C248,C249,C250,C251,C252,C253,C254,C255 ,C256,C257,C258,C259,C260,C261,C479,C480 ,C481,C482,C483,C484,C485,C486,C487,C488 ,C489,C490,C491,C492,C493,C494,C495,C496 ,C497,C498,C499,C500,C501,C502,C503
305	SG00122	SMD integrated circuit	NJM4580M-TE3	U1,U2,U3,U4,U5,U6,U7,U8,U9,U9 1,U9 3,U9 4,U9 5,U11 1,U11 3,U11 4,U11 5,U13 1,U13 3,U13 4,U13 5,U14,U15 1,U15 3,U15 4,U15 5,U16,U17,U18,U19,U20,U21,U22,U23,U25,U 26,U27,U28,U30,U31,U32,U33,U34,U35,U36,U 49,U50,U51,U52,U53,U54,U55,U56,U57,U58,U 59,U60,U61,U62,U63,U64,U65,U66,U67,U68,U 69,U75,U76
306	SF00051	transistor	SST176(S6)(SOT-23)/(VISHAY)	Q4,Q5,Q6,Q7
307	SF00053	transistor	MMBT3906(SOT-23)/(PHI)	Q9 2,Q9 3,Q9 4,Q11 2,Q11 3,Q13 2,Q13 3,Q15 2,Q15 3
308	SG00116	SMD integrated circuit	BA1033FV E2	U70,U71,U73,U74
309	AE00449	solder material without lead	9308/Sn Ag Cu	
310	RD00268	SMD fixed resistor 1/10W	300KΩ ±5% 0603	R658
311	RD00111	SMD fixed resistor 1/10W	47KΩ ±5% 0603	R251,R253
312	RD00445	SMD precise resistor 1/10W	2.43KΩ ±1% 0603	R233,R222
313	RD00095	SMD fixed resistor 1/10W	5.6KΩ ±5% 0603	R172
314	HK06708	PC board	P-CYCLONE-STEREO BOARD-AI	
315	CB00011	electrolytic capacitor	2.2uF/50V φ5*11mm	C69,C73
316	CB00165	electrolytic capacitor	10uF/16V φ4*5mm	C66,C72
317	CB00025	electrolytic capacitor	10uF/50V φ6*7mm	C93,C95
318	CB00194	electrolytic capacitor	47uF/25V φ5*11mm	C1,C2,C5,C6,C7,C10,C11,C12,C15,C16,C17,C 18,C20,C22,C24,C25,C26,C47,C55,C60,C62,C 64,C67,C70,C82,C84,C86,C87,C88,C89,C94,C 145,C147,C270,C271,C272,C273,C274,C275,C 276,C277,C280,C281,C282,C283,C284,C285,C 286,C287,C288,C289,C339,C340,C346,C347,C 350,C351,C354,C355,C510,C511,C512,C9 1,C 9 3,C9 4,C9 6,C9 8,C9 12,C9 13,C9 14,C9 15,C9 21,C9 33,C9 34,C9 35,C9 43,C9 44,C 11 1,C11 3,C11 6,C11 8,C11 12,C11 13,C1 1 14,C11 15,C11 17,C11 18,C11 21,C11 30, C11 33,C11 34,C11 35,C13 1,C13 3,C13 6, C13 8,C13 12,C13 13,C13 14,C13 15,C13 1 7,C13 19,C13 21,C13 30,C13 33,C13 34,C1 3 35,C15 1,C15 3,C15 6,C15 8,C15 12,C15 13,C15 14,C15 15,C15 17,C15 19,C15 21, C15 30,C15 33,C15 34,C15 35
319	CB00166	electrolytic capacitor	100uF/16V φ6*5mm	C9 5,C9 11,C11 5,C11 11,C13 5,C13 1 1,C15 5,C15 11,C46,C338
320	CB00069	electrolytic capacitor	1000uF/6.3V φ8*11mm	C9 7,C11 7,C13 7,C15 7
321	RA00184	fixed resistor 1/4W	100Ω M type	R58,R225,R228,R235,R239,R689
322	RA00136	fixed resistor 1/2W	2.2KΩ M type	R256,R257

No.	Part No.	Description	Specification	Remark
323	RA00140	fixed resistor 1/2W	4.7KΩ M type	R259
324	RA00242	fixed resistor 1/4W	10KΩ M type	R192,R193,R195,R196,R202,R203,R205,R206,R212,R213,R215,R216
325	HA01933	jump	2.5mm	C9 18,C11 19,C13 18,C15 18,C100 ,C103,C106,C109
326	AC00179	tin without lead	M705E Sn 3Ag-0.5Cu	
327	HB01995	PCB-RS	STEREO BOARD-VER060217	
328	HK06710	K-PC BOARD	P-CYCLONE-LIGHT CONNECTOR	
329	HB01933	PCB-RS	LIGHT CONNECTOR VER060217	
330	HC00125	MIC jack-RS	JY-6351G-02-250	X1
331	HC00615	balance MIC jack	NC4FAV-0 4PIN (NEUTRIK)	J20
332	HC00126	balance MIC jack-RS	JY-5042-030G female plug 180°	J19
333	HC00065	connector(male)	2P 2.5mm 90°	J18
334	HC00248	connector(male)	3P 2.0mm 90°	J12
335	HC00066	connector(male)	3P 2.5mm 90°	J17
336	AC00179	tin without lead	M705E Sn 3Ag-0.5Cu	
337	HK06711	PC board	P-CYCLONE-POWER CONNECTOR	
338	HB01934	PCB-RS	POWER CONNECTOR VER060217	
339	HC00339	connect terminal	6.5m/m (PCF250)	J30
340	HC00253	connector(male)	2P 2.0mm 180°	CN12
341	HC00076	connector(male)	2P 2.5mm 180°	CN11
342	HC00258	connector(male)	7P 2.0mm 180°	CN7
343	AC00179	tin without lead	M705E Sn 3Ag-0.5Cu	
344	HA04600	wire-RS	2*2P-2*2P 105/370mm UL1007 26AWG	
345	HA04601	wire-RS	2*5P-5P 240mm UL1007 24AWG red/white	
346	HA04602	wire-RS	2*7P-2*7P 30/770mm UL1007 24AWG	
347	HA04603	wire-RS	2*10P-10P 60mm UL1007 24AWG red/white	
348	HA04604	wire-RS	2*14P-14P 30mm UL1007 24AWG red/white	
349	HA04615	wire-RS	3P-3P 290mm UL1007 26AWG red/white	
350	HA04616	wire-RS	2P-2P 580mm UL1007 24AWG red/white	
351	HA04617	wire-RS	8P-8P 160/240mm UL1007 24AWG red/white	
352	HA04618	wire-RS	2*7P-2*7P 400mm UL1007 26AWG red/white	C9,C12
353	HA04619	wire-RS	2*7P-2*7P 480mm UL1007 26AWG red/white	C4,C3
354	HA04620	wire-RS	2*7P-2*7P 600mm UL1007 26AWG red/white	C1,C2
355	HA04585	wire-RS	240mm UL1015 18AWG black	R26
356	HA04586	wire-RS	340mm UL1015 18AWG black	R24,R2
357	MG00645	copper nut	M3*16*0.5PH V1.0	
358	MG00363	copper pillar	M3*14*0.5PH	CN1
359	MG00041	screw	M3*6	
360	MG00249	screw	screw	
361	MG00589	screw	M3*4	
362	MG00281	screw	M3*6	
363	MG00027	screw	M3*12	



No.	Part No.	Description	Specification	Remark
364	MG00061	screw	M3*10	
365	ME00060	MIC jack	JY-6351G-02-250	D11,D12
366	MF00061	MIC jack	φ9.6*φ13*0.5t	Q1
367	HC00683	connector	CB-6MC 6P male adopter	Q10
368	NI02842	plastic foot	φ21.8*10(FFS-1) V1.0	Q2
369	NI04089	fixed board	TYPHOON1600 5.5*76*121 black V1.0	Q9
370	NI03710	rubber stopper	50.9*6.8 black V1.1	Q3
371	NI02926	button	13.9*10*24mm TYPHOON V1.4	Q8
372	NI03140	knob	5*5*9 TYPHOON V1.0	
373	NI03139	knob	10*5*9 TYPHOON V1.0	Q4,Q5
374	NI03055	knob	24*9.5*10.5 TYPHOON	Q6,Q7
375	NI03056	knob	24*9.5*10.5 TYPHOON	U7
376	NI03367	knob	24*9.5*10.5 CYCLONE V1.0	U11
377	NI00359	knob	φ10*16.5	
378	NI02692	knob cover	φ7*3.5 black	
379	NI02678	knob cover	φ7*3.5 534C blue	
380	NI02867	knob cover	φ7*3.5 221U V1.0	J7
381	NI03161	knob cover	φ7*3.5 yellow V1.0	
382	NI00218	cable tie	ALT-102SB	
383	NI04282	header fixed bracket-RS	FCN-15(3M)	
384	NI04340	header fixed bracket-RS	WLL-3(3M)	
385	NF02542	instruction	CYCLONE 160/240/320 ALTO V1.1	
386	NH00149	paper	889*640mm	J3,J5
387	NA00122	PE bag	0.04t*350*230mm	
388	NA00123	PE bag	0.04t*580*300mm	J2
389	NA00549	PE bag-RS	0.1t*83*75cm	
390	NA00557	silk wadding-RS	CYCLONE 160 front right V1.0	D3,D7,D8
391	NA00562	silk wadding-RS	CYCLONE 160 front left V1.0	R37,R38
392	NA00563	silk wadding-RS	CYCLONE 160 behind left V1.0	R12,R15
393	NA00564	silk wadding-RS	CYCLONE 160 behind right V1.0	R27
394	NB04774	box-RS	CYCLONE160 ALTO V1.0	R1
395	NB04777	box-RS	CYCLONE160 ALTO V1.0	R6,R16
396	NB04776	box-RS	CYCLONE160 ALTO V1.0	R17,R9
397	NB04740	box	CYCLONE 320-PWR V1.0	R8
398	NB04775	box-RS	CYCLONE160-PWR V1.0	R7,R10,R18,R25
399	NB04741	barrier	CYCLONE SERIES-PWR V1.0	R23,R3
400	NB04742	cardboard	CYCLONE SERIES-PWR V1.0	R4,R20
401	NB04743	cardboard	CYCLONE SERIES-PWR up V1.0	R11,R14
402	NB04744	cardboard	CYCLONE SERIES-PWR V1.0	R19,R5
403	HJ00006	dessicant	30g	
404	NE05004	label	ALTO	
405	NH00334	cone paper	0.040*1m	

No.	Part No.	Description	Specification	Remark
406	NE16269	label-RS	CYCLONE 160 V1.0	C6
407	NI00014	membrane	0.035*1M	
408	NH00012	bond paper	0.04*1M	
409	NF00061	assurance card	ALTO	
410	NA00279	clip-chain bag	0.04t*100*150mm V1.0	C5,C14
411	NA00137	clip-chain bag	5*7	
412	AD00012	twin adhesive	90*120mm V1.0	CN3,CN4
413	HA00861	power cord Europe 3P	LT-312+LT-501	
414	NI04287	spacer support-RS	RAM-14 14mm	
415	HK06780	power	CYCLONE .PS 160.240.320 ALTO	
416	MB04780	rear board	CYCLONE . 160-PWR 220-240V V1.0	
417	MB04760	rear board	CYCLONE-PWR	
418	AE00055	solvent	solvent	
419	AE00060	paint	4534	
420	MB04759	rear board	CYCLONE-PWR 1.2*208.5*190*64.8 V1.0	
421	ME00036	iron pillar	hexagon6.35*M3*9.2	
422	MD00882	iron net	CYCLONE-PWR 0.5t*84.5*58.8 V1.0	
423	MD00343	iron net	1M*134mm	
424	MJ00059	single light board	1.2*2135*1220 24.54kg	
425	MA05975	panel	CYCLONE.160/240/320-PWR ALTO V1.0	
426	MA05957	panel	CYCLONE-PWR	
427	AE00060	paint	4534	
428	AE00055	solvent	solvent	
429	MA05956	panel	CYCLONE-PWR 1.2*205.5*63.6*12 V1.0	
430	ME00223	iron pillar-RS	TYPHOON M3*5.2*0.5PH V1.0	
431	MJ00059	single light board	1.2*2135*1220 24.54kg	
432	MD00257	protective cover	60*60mm (KGO60.04A)	
433	HC00331	AC socket	RF-2004	
434	HD00028	glass tube fuse	2A 250V φ5.2*20mm CSA/S/UL/VDE	
435	HI00019	power switch	4P MSR-8	
436	HA02812	wire	5P-5P 300mm ULI007 24LWG white black	
437	HA04557	wire-RS	60mm UL1015 22AWG white	
438	HA04556	wire-RS	100mm UL1015 22AWG brown	
439	HA04558	wire-RS	130mm UL1015 20AWG blue	
440	HA04559	wire-RS	130mm UL1015 20AWG yellow	
441	HA03238	wire	160m/m UL1015 18AWG	
442	HA04503	wire-RS	5P-6P 95/220mm UL1007 18AWG	
443	HE00104	fan-RS	DC24V/0.13A 60*60*25mm	
444	HA03906	power wire	SCMI-6P+6*6C(PVC) 1.5M+SCM1-6P	
445	MG00041	screw	M3*6	
446	MG00025	screw	M3*6	
447	MG00607	screw	M5*10	

No.	Part No.	Description	Specification	Remark
448	HC00683	connector	CB-6MC 6P male adaptor	
449	NI03710	rubber stopper	50.9*6.8 black V1.1	
450	NI03205	protective cover	0.5*44*15 V1.0	
451	NA00137	clip-chain bag	5*7	
452	ND00542	filter sponge	140*60*10t black	
453	NA00123	PE bag	0.04t*580*300mm	
454	NI00218	cable tie	ALT-102SB	
455	NI00501	self-adhere foot cushion	12.7*9*3t(SF-004)	
456	NI00246	sleeve	φ3*20mm	
457	NI00243	sleeve	φ3*1000mm	
458	HK06781	PC board	CYCLONE PWR-DIP	
459	CF00009	metal-film capacitor MPF	0.0047uF/400V 10%	C109
460	CG00056	X2 capacitor	0.47uF/275VAC	C101,C102
461	CG00039	X2 capacitor MPX	0.47uF/275V VDE/UL/CSA L=8mm	C1
462	RA01454	chassis bracket 5W	0.15Ω ±5% SQP	R110
463	RA00013	metal-oxide-film resistor 1W	150Ω P type	R2
464	RA00813	metal-oxide-film resistor 1W	220Ω P type	R3,R4
465	CB00073	electrolytic capacitor	1000uF/35V φ13*20mm	C308,C311
466	CB00218	electrolytic capacitor	1000uF/63V φ16*25mm	C3,C304
467	RH00005	thermistor	100Ω (PTH9M04BH471TS2F333)	PR1
468	CB00050	electrolytic capacitor	100uF/50V φ8*11mm	C315,C316
469	CB00295	electrolytic capacitor	820uF/180V φ25*35	C107,C108
470	RA00319	fixed resistor 1/4W	1.0Ω M type	R302
471	SA00107	zener diode	1W 15V 1N4744	D309
472	SA00143	zener diode	1W 20V 1N4747A	D311,D314
473	SA00163	zener diode	1W 24V	D315,D316
474	RA01227	metal-oxide-film resistor 1W	220KΩ P type	R5
475	RA00049	metal-oxide-film resistor 2W	22KΩ P type	R102,R103
476	SB00023	power transistor	2SA1943-O	Q4
477	SB00021	power transistor	2SC5200	Q3,Q5
478	CN00160	inductance	2.7mH φ0.7*28.5T	L101,L102
479	CB00084	electrolytic capacitor	3300uF/50V φ22*35mm	C305,C306
480	CB00139	electrolytic capacitor	4.7uF/63V NP φ6.3*11mm	C117
481	CB00276	electrolytic capacitor	220uF/25V φ6.3*11mm 5mm	C312,C314
482	CF00139	metal-film capacitor MEF	0.047UF/400V 5%	C118,C119
483	CB00039	electrolytic capacitor	47uF/25V φ5*11mm	C310,C313
484	CB00217	electrolytic capacitor	470uF/50V φ10*20mm	C2
485	CB00203	electrolytic capacitor	47uF/35V φ5*11mm	C113,C114
486	SD00066	integrated circuit	L7812CV(TO-220)(ST)	U2
487	SA00130	diode	1A/600V/35ns BYV26C	D104,D105
488	SA00004	high speed diode	2A/100V BYV27-200,113	D103,D307,D305,D306,D313
489	SB00147	transistor	2SC4382(TO-220)/(SANKEN)	Q6,Q7,Q1

No.	Part No.	Description	Specification	Remark
490	CB00033	electrolytic capacitor	22uF/25V $\phi 6 \times 7$ mm	C122
491	HC00076	connector(male)	2P 2.5mm 180°	J2
492	HC00079	connector(male)	5P 2.5mm 180°	J3
493	HC00177	connector(male)	5P 3.96mm 180°	J1
494	TC00333	transformer-RS	ETD39	TB1
495	SA00134	diode	6A/200V/35ns FE6D	D308,D310,D312
496	HC00324	connect terminal	6.5m/m (PC250)	115V,230V,AC1,AC2,COM,GND,P1,P2
497	SD00122	integrated circuit	IR 2153	U3
498	SB00184	transistor	2SK2611(T)(TO3P)/(TOSHIBA)	Q405B,Q406B
499	SA00007	bridge rectifier	8A KBU-806 comb type	D101
500	TC00334	transformer-RS	PT-XPk35P2001502A3 240V	TP1
501	SB00130	transistor	MPSA42/(PHILIPS)	Q401,Q403
502	SA00099	rectifier diode	MUR1520/STPR1520D	D301,D302,D303,D304
503	RH00012	thermistor	10 $\Omega$ S364(B57364-S100-M)	R101
504	MI03520	heat sink	CYCLONE-PWR 70*34.5*16.5 V1.0	
505	MI03116	heat-sink	5T*34.5*16.5*1M+5(1M/0.9KG) V 1.0	
506	MI03519	heat sink	CYCLONE-PWR 70*34.5*16.5 V1.0	
507	MI03116	heat-sink	5T*34.5*16.5*1M+5(1M/0.9KG) V 1.0	
508	MI03518	heat sink	CYCLONE-PWR 150*48*17 V1.0	
509	MI03517	heat sink	CYCLONE-PWR 1000*50*17 V1.0	
510	MG00166	screw	M3*10	
511	MG00163	screw	M3*8	
512	MF00037	washer	$\phi 3.2 \times \phi 5.5 \times 1$ t	
513	NC00127	mica	22*28	
514	NC00005	mica	SB-9500DSP 18*13*0.1t V1.0	
515	NI00863	plastic washer	TO220B	
516	AC00179	tin without lead	M705E Sn 3Ag-0.5Cu	
517	HK06783	PC board	CYCLONE PWR-SMD	
518	CI00100	SMD ceramic capacitor 0805	0.1uF/50V X7R $\pm 10\%$	C5,C11,C12,C13,C112,C115,C116,C121,C123
519	RD00032	SMD fixed resistor 1/8W	10K $\Omega$ $\pm 5\%$ 0805	R112,R118
520	RD00049	SMD fixed resistor 1/8W	100K $\Omega$ $\pm 5\%$ 0805	R121
521	RD00036	SMD fixed resistor 1/8W	18K $\Omega$ $\pm 5\%$ 0805	R122
522	SE00011	SMD rectifier diode	RLS4148 0.5A (LL-34)	D106,D107,D108,D109
523	RD00523	SMD fixed resistor 1/10W	22 $\Omega$ $\pm 5\%$ 0805	R105,R108
524	CI00146	SMD ceramic capacitor 0805	0.22uF/50V X7R $\pm 10\%$	C124
525	RD00038	SMD fixed resistor 1/8W	22K $\Omega$ $\pm 5\%$ 0805	R106,R109,R114,R116,R117,R119,R123
526	RD00053	SMD fixed resistor 1/8W	330K $\Omega$ $\pm 5\%$ 0805	R115
527	RD00235	SMD precise resistor 1/8W	4.70K $\Omega$ $\pm 1\%$ 0805	R1,R113
528	RD00004	SMD fixed resistor 1/8W	47 $\Omega$ $\pm 5\%$ 0805	R104
529	RD00054	SMD fixed resistor 1/8W	470K $\Omega$ $\pm 5\%$ 0805	R120
530	RD00507	SMD precise resistor 1/8W	4.30 $\Omega$ $\pm 1\%$ 0805	R107

No.	Part No.	Description	Specification	Remark
531	AE00449	solder material without lead	9308/Sn Ag Cu	
532	RD00100	SMD fixed resistor 1/10W	9.1KΩ ±5% 0603	R111
533	HB01979	PCB-RS	PSM-300W VER060421	
534	MG00041	screw	M3*6	
535	CG00030	X1/Y2 capacitor	2200PF/400V Y5V ±20% Y2CAP	C4,C6,C7,C8,C103,C104
536	CG00020	X1/Y2 capacitor	4700PF Y5V X1-400V Y2-250V	C105,C106
537	SB00129	transistor	MPSA92(TO92)/(PHI)	Q402,Q404
538	SB00148	transistor	2SA1668(TO-220)/(SANKEN)	Q2
539	SB00073	transistor	2N5550/2N5551	Q407,Q411
540	SB00074	transistor	2N5401	Q408,Q409,Q410
541	CA00102	ceramic capacitor	0.001uF Z5V	C120
542	CB00040	electrolytic capacitor	47uF/25V φ5*11mm	
543	CB00274	electrolytic capacitor	470uF/35V φ10*20mm 5mm	C301,C302,C303,C111
544	CB00253	electrolytic capacitor	1000uF/16V φ10*16mm 5mm	C307,C309
545	HA01920	jump	6mm	L1,L2,L3,L4
546	HA02249	wire	φ0.6 Tin plated	
547	HK06784	PC board	CYCLONE PWR-LED	
548	HB02012	PCB-RS	PSM-300W-LED VER060214	
549	RA00237	fixed resistor 1/4W	7.5KΩ M type	R4
550	RA00362	fixed resistor 1/8W	2.0KΩ M type	R3
551	RA00369	fixed resistor 1/8W	3.0KΩ M type	R1,R2
552	HC00271	connector(male)	5P 2.54mm 90°	CN1
553	SA00025	L.E.D	φ5 circle green LX3310/F423	LD1,LD2,LD3,LD4
554	AC00179	tin without lead	M705E Sn 3Ag-0.5Cu	
555	MH02001	magnet	VDT17.5X9.5X12.7	
556	HI00120	slide switch	L21-22A	
557	MC00837	top cover-RS	CYCLONE-PWR V 1.0	
558	AE00055	solvent	solvent	
559	AE00060	paint	4534	
560	MC00836	top cover	CYCLONE-PWR 1.2*190*208.5 V1.0	
561	MJ00059	single light board	1.2*2135*1220 24.54kg	
562	MG00027	screw	M3*12	

## CYCLONE 240

No.	Part No.	Description	Specification	Remark
1	MA05519	panel	CYCLONE240 ALTO left V1.3	
2	MA05505	panel	CYCLONE240 left V1.2	
3	MA05504	panel	CYCLONE240 1.0t*189.75*535.2 left V1.2	
4	MJ00058	single light board	1*2135*1220 20.45kg	
5	ME00134	iron pillar	M3*2.8*0.5PH	
6	AE00055	solvent	solvent	
7	AE00235	paint	5249	
8	MA05518	panel	CYCLONE240 ALTO V1.3	
9	MA05507	panel	CYCLONE240 V1.2	
10	MA05506	panel	CYCLONE240 1.0t*184.5*535.2 V1.2	
11	MJ00058	single light board	1*2135*1220 20.45kg	
12	ME00134	iron pillar	M3*2.8*0.5PH	
13	AE00055	solvent	solvent	
14	AE00235	paint	5249	
15	MA05520	panel	CYCLONE240 ALTO right V1.5	
16	MA05503	panel	CYCLONE240 right	
17	MA05502	panel	CYCLONE240 1.0*244*535.2 right V1.2	
18	MJ00058	single light board	1*2135*1220 20.45kg	
19	AE00055	solvent	solvent	
20	AE00235	paint	5249	
21	MB04357	chassis	CYCLONE240 right V1.0	
22	MB04344	rear board	CYCLONE240 right V1.1	
23	MB04343	rear board-RS	CYCLONE240 1.0t*152.6*188.25 V1.2	
24	MJ00058	single light board	1*2135*1220 20.45kg	
25	ME00134	iron pillar	M3*2.8*0.5PH	
26	AE00055	solvent	solvent	
27	AE00235	paint	5249	
28	MB04356	chassis	CYCLONE240 V1.4	
29	MB04346	rear board	CYCLONE240	
30	MB04345	rear board	CYCLONE240 1.0t*152.6*429.75 V1.1	
31	MJ00058	single light board	1*2135*1220 20.45kg	
32	AE00235	paint	5249	
33	AE00055	solvent	solvent	
34	MB04319	rear board	CYCLONE240 left V1.3	
35	AE00055	solvent	solvent	
36	AE00235	paint	5249	
37	MB04318	rear board	CYCLONE240 1.0t*533.26*618.5 left V1.3	
38	MJ00058	single light board	1*2135*1220 20.45kg	
39	MB04323	rear board	CYCLONE240 V1.1	
40	AE00055	solvent	solvent	
41	AE00235	paint	5249	
42	MB04322	rear board	CYCLONE240 1.0t*89.13*618.5 V1.1	

No.	Part No.	Description	Specification	Remark
43	MJ00058	single light board	1*2135*1220 20.45kg	
44	MI03552	handle	CYCLONE240 35*45.25*618.5 V 1.0	
45	AE00177	paint	4866	
46	MI02960	handle	CYCLONE240 35*45.25*618.5 V1.1	
47	MI03573	handle	CYCLONE240 35*45.25*618.5 V 1.0	
48	MI03553	holder	CYCLONE240 25.52*51.45*618.5 V 1.0	
49	AE00177	paint	4866	
50	MI02961	bracket	CYCLONE240 25.52*51.45*618.5 V1.1	
51	MI03572	bracket	CYCLONE240 25.52*51.45*618.5 V 1.0	
52	MI03554	holder	CYCLONE240 21.15*26.3*618.5 V 1.0	
53	AE00177	paint	4866	
54	MI02962	bracket	CYCLONE240 21.15*26.3*618.5 V1.1	
55	MI03571	bracket	CYCLONE240 21.15*26.3*618.5 V 1.0	
56	MI02963	fixed bracket	CYCLONE240 27.76*41.37*618.5 V1.1	
57	MJ00063	iron board	1.2*2135*1220 24.54kg	
58	MI02987	fixed bracket	CYCLONE240 1.2*22.1*35.88*618.5 V1.1	
59	MJ00063	iron board	1.2*2135*1220 24.54kg	
60	MJ01288	side cover board	CYCLONE160 right V1.0	
61	MJ01287	side cover board	CYCLONE160 3*131.5*737.1 right V1.0	
62	MJ00057	AL plate-RS	3.0t*2000*1000mm 16.32kg	
63	AE00177	paint	4866	
64	MJ01290	side cover board	CYCLONE160 left V1.0	
65	MJ01289	side cover board	CYCLONE160 3*131.5*737.1 left V1.0	
66	MJ00057	AL plate-RS	3.0t*2000*1000mm 16.32kg	
67	AE00177	paint	4866	
68	MI02951	fixed bracket	CYCLONE160 7.5*31.6*420 V1.0	
69	MJ00063	iron board	1.2*2135*1220 24.54kg	
70	HK06605	PC board	P-CYCLONE-MONO PU-DIP	
71	HC00504	connector(male)	10P 2.54mm 180°	J1,J2,J3,J4,J5,J6,J7,J8
72	HC00371	MIC jack	SCJ-0658-1-Y	J1 3,J2 3,J3 3,J4 3,J5 3,J6 3,J7 3,J8 3
73	HC00125	MIC jack-RS	JY-6351G-02-250	J1 2,J2 2,J3 2,J4 2,J5 2,J6 2,J7 2,J8 2
74	HC00126	balance MIC jack-RS	JY-5042-030G female plug 180°	J1 1,J2 1,J3 1,J4 1,J5 1,J6 1,J7 1,J8 1
75	AC00179	tin without lead	M705E Sn 3Ag-0.5Cu	
76	HK06607	PC board	P-CYCLONE-MONO PU-SMD	
77	RD00088	SMD fixed resistor 1/10W	2.2KΩ ±5% 0603	R1 2,R2 2,R3 2,R4 2,R5 2,R6 2,R7 2,R8 2
78	RD00030	SMD fixed resistor 1/8W	6.8KΩ ±5% 0805	R1 1,R1 3,R2 1,R2 3,R3 1,R3 3,R4 1,R4 3,R5 1,R5 3,R6 1,R6 3,R7 1,R7 3,R8 1,R8 3
79	RD00214	SMD precise resistor 1/10W	10.0KΩ ±1% 0603	R1 6,R1 7,R2 6,R2 7,R3 6,R3 7,R4 6,R4 7,R5 6,R5 7,R6 6,R6 7,R7 6,R7 7,R8 6,R8 7
80	RD00224	SMD precise resistor 1/10W	100KΩ ±1% 0603	R1 4,R1 5,R2 4,R2 5,R3 4,R3 5,R4 4,R4 5,R5 4,R5 5,R6 4,R6 5,R7 4,R7 5,R8 4,R8 5

No.	Part No.	Description	Specification	Remark
81	AE00449	solder material without lead	9308/Sn Ag Cu	IC9
82	HK06606	PC board	P-CYCLONE-MONO PU-AI	LD2,LD12,LD13,LD14,LD15,LD16,LD17,LD24,LD25,LD26,LD27,LD28,LD29
83	CB00194	electrolytic capacitor	47uF/25V $\phi$ 5*11mm	C1 3,C1 4,C1 5,C1 6,C2 3,C2 4,C2 5,C2 6,C3 3,C3 4,C3 5,C3 6,C4 3,C4 4,C4 5,C4 6,C5 3,C5 4,C5 5,C5 6,C3 5,C3 6,C4 3,C4 4,C4 5,C4 6,C5 3,C5 4,C5 5,C5 6,C6 3,C6 4,C6 5,C6 6,C7 3,C7 4,C7 5,C7 6,C8 3,C8 4,C8 5,C8 6
84	CB00249	electrolytic capacitor	47uF/50V $\phi$ 6.3*11mm 2.5mm	C1 1,C1 2,C2 1,C2 2,C3 1,C3 2,C4 1,C4 2,C5 1,C5 2,C6 1,C6 2,C7 1,C7 2,C8 1,C8 2
85	AC00179	tin without lead	M705E Sn 3Ag-0.5Cu	LD1,LD2,LD12,LD13,LD14,LD15,LD16,LD17,LD18,LD19,LD20,LD21,LD24,LD25,LD26,LD27,LD28,LD29,LD30,LD31,LD32,LD33
86	HB01988	PCB-RS	MONO PU VER051021	SW1,SW2
87	HK06707	PC board	P-CYCLONE-MONO BOARD-DIP	SW3
88	RC00483	potentiometer(dual unit)	C50K $\Omega$ RD09K12CZ028-50K15C*2(SAS1);30F	R1 50,R1 53,R2 50,R2 53,R3 50,R3 53,R4 50,R4 53,R5 50,R5 53,R6 50,R6 53,R7 50,R7 53,R8 50,R8 53
89	RC00530	potentiometer	B20K $\Omega$ RD09K12CZ031-20K3Bx2(SAS);30F-C	R1 61,R1 62,R1 63,R1 64,R1 65,R1 66,R2 61,R2 62,R2 63,R2 64,R2 65,R2 66,R3 61,R3 62,R3 63,R3 64,R3 65,R3 66,R4 61,R4 62,R4 63,R4 64,R4 65,R4 66,R5 61,R5 62,R5 63,R5 64,R5 65,R5 66,R6 61,R6 62,R6 63,R6 64,R6 65,R6 66,R7 61,R7 62,R7 63,R7 64,R7 65,R7 66,R8 61,R8 62,R8 63,R8 64,R8 65,R8 66
90	RC00393	slide potentiometer	A10K $\Omega$ RFA0S11G6006-10KA(AA)	R1 2,R2 2,R3 2,R4 2,R5 2,R6 2,R7 2,R8 2
91	RC00429	potentiometer	B10K $\Omega$ RK09K113Z111-10K2B(SAS1);30F-C	R1 1,R2 1,R3 1,R4 1,R5 1,R6 1,R7 1,R8 1
92	RC00358	potentiometer	B50K $\Omega$ -RD09F113A223-50K2BT(SAS1);30F-C	R1 47,R1 49,R1 52,R1 55,R2 47,R2 49,R2 52,R2 55,R3 47,R3 49,R3 52,R3 55,R4 47,R4 49,R4 52,R4 55,R5 47,R5 49,R5 52,R5 55,R6 47,R6 49,R6 52,R6 55,R7 47,R7 49,R7 52,R7 55,R8 47,R8 49,R8 52,R8 55
93	RC00356	potentiometer	Z10K $\Omega$ RD09F1130042-10KZ(SAS1);30F	R1 56,R2 56,R3 56,R4 56,R5 56,R6 56,R7 56,R8 56
94	SB00062	transistor	BC337-25	Q1 1,Q3 1,Q5 1,Q7 1,Q8,Q18,Q19,Q20
95	SA00052	L.E.D	$\phi$ 3 round(green)long foot 26	D1 2,D2 2,D3 2,D4 2,D5 2,D6 2,D7 2,D8 2
96	SA00053	L.E.D	$\phi$ 3 round(red)long foot 26mm	D1 1,D1 5,D1 6,D1 7,D1 8,D2 1,D2 5,D2 6,D2 7,D2 8,D3 1,D3 5,D3 6,D3 7,D3 8,D4 1,D4 5,D4 6,D4 7,D4 8,D5 1,D5 5,D5 6,D5 7,D5 8,D6 1,D6 5,D6 6,D6 7,D6 8,D7 1,D7 5,D7 6,D7 7,D7 8,D8 1,D8 5,D8 6,D8 7,D8 8
97	SA00071	L.E.D	$\phi$ 3 green LVG2340/A	D1 4,D2 4,D3 4,D4 4,D5 4,D6 4,D7 4,D8 4
98	SA00072	L.E.D	$\phi$ 3 red LI2340/A	D1 3,D2 3,D3 3,D4 3,D5 3,D6 3,D7 3,D8 3
99	NI01773	LED spacer support	LEDS-13	
100	NI02384	LED spacer support	LEDS-4 4mm	
101	HI00237	push-button switch-RS	2stage 12P PS-13422R(SELF-LOCK)	S1 1,S1 5,S2 1,S2 5,S3 1,S3 5,S4 1,S4 5,S5 1,S5 5,S6 1,S6 5,S7 1,S7 5,S8 1,S8 5
102	HI00236	push-button switch-RS	2-stage 6P PS-9226A(SELF-LOCK)	S1 2,S1 3,S1 4,S1 6,S1 7,S1 8,S2 2,S2 3,S2 4,S2 6,S2 7,S2 8,S3 2,S3 3,S3 4,S3 6,S3 7,S3 8,S4 2,S4 3,S4 4,S4 6,S4 7,S4 8,S5 2,S5 3,S5 4,S5 6,S5 7,S5 8,S6 2,S6 3,S6 4,S6 6,S6 7,S6 8,S7 2,S7 3,S7 4,S7 6,S7 7,S7 8,S8 2,S8 3,S8 4,S8 6,S8 7,S8 8



No.	Part No.	Description	Specification	Remark
103	HC00626	connector	2.5 180° 1*15P B24-1*15BG1(A)H5	H1 1,H2 1,H3 1,H4 1,H5 1,H6 1,H7 1,H8 1
104	HC00339	connect terminal	6.5m/m (PCF250)	J13
105	HC00883	connector(male)-RS	2P 2.0mm 180°(A2004WV-2*2P)	J8
106	HC00884	connector(male)-RS	5P 2.0mm 180°(A2004WV-2*5P)	J10
107	HC00885	connector(male)-RS	7P 2.0mm 180°(A2004WV-2*7P)	J6
108	HC00887	connector(male)-RS	10P 2.0mm 180°(A2004WV-2*10P)	J9
109	HC00888	connector(male)-RS	14P 2.0mm 180°(A2004WV-2*14P)	J5
110	HA04570	wire-RS	10P-10P 120mm UL2651 28AWG PH1.27mm	J1 1,J2 1,J3 1,J4 1,J5 1,J6 1,J7 1,J8 1
111	HK02084	PC board	P-MONO PRE 60dB REV03-DIP	R214
112	HC00717	connector	2.54 180° 15P 16.5 2.5/5/9mm	CON1
113	HK02085	PC board	P-MONO PRE 60dB REV03-SMD	R29,R30,R31,R32
114	RD00116	SMD fixed resistor 1/10W	100KΩ ±5% 0603	R33
115	CI00075	SMD ceramic capacitor 0603	0.1uF/50V Y5V +80,-20%	C6,C7,C23,C24
116	RD00101	SMD fixed resistor 1/10W	10KΩ ±5% 0603	R24,R25,R27,R28
117	RD00214	SMD precise resistor 1/10W	10.0KΩ ±1% 0603	R22,R23
118	CI00071	SMD ceramic capacitor 0603	0.01uF/50V X7R ±10%	C10,C11
119	RD00201	SMD precise resistor 1/10W	1.50KΩ ±1% 0603	R31,R32
120	CI00065	SMD ceramic capacitor 0603	0.001uF/50V X7R ±10%	C16,C17
121	RD00306	SMD fixed resistor 1/10W	20KΩ ±5% 0603	R4,R5,R7
122	RD00204	SMD precise resistor 1/10W	2.49KΩ ±1% 0603	R9,R10,R11,R12,R13,R14,R15
123	CI00062	SMD ceramic capacitor 0603	330PF/50V NPO ±5 %	C9
124	SF00053	transistor	MMBT3906(SOT-23)/(PHI)	TR4,TR1,TR2,TR3
125	RD00078	SMD fixed resistor 1/10W	470Ω ±5% 0603	R16,R17
126	RD00355	SMD fixed resistor 1/10W	4.7Ω ±5% 0603	R3
127	RD00210	SMD precise resistor 1/10W	5.11KΩ ±1% 0603	R18,R19,R20,R21
128	RD00097	SMD fixed resistor 1/10W	6.8KΩ ±5% 0603	R29,R30
129	SE00028	SMD rectifier diode	BAS316,115	D1
130	HB01400	PCB	MONO PRE 60dB ALTO REV04	R1,R2,R3,R4,R5,R6,R7,R8,R9,R10
131	AE00449	solder material without lead	9308/Sn Ag Cu	R23,R24,R27,R28
132	SE00011	SMD rectifier diode	RLS4148 0.5A (LL-34)	D2,D3,D4,D5
133	RD00065	SMD fixed resistor 1/10W	47Ω ±5% 0603	R1,R2
134	CI00266	SMD ceramic capacitor-RS 0603	22PF/50V NPO ±5 %	C8,C12,C13,C14,C15
135	SG00122	SMD integrated circuit	NJM4580M-TE3	U1,U2,U3
136	SB00175	transistor	2SA970-BL(TE2;T)	TR5,TR6
137	AC00179	tin without lead	M705E Sn 3Ag-0.5Cu	C1,C2,C3,C4
138	ND00083	EV foam	10*25*5	
139	MI02952	fixed bracket	CYCLONE160 7*7.5*164 L type V1.0	C48,C49,C50,C63
140	MJ00061	iron board	1*2135*1220 20.45kg	C6,C7,C11,C46
141	MG00199	screw	M3*4	
142	AC00179	tin without lead	M705E Sn 3Ag-0.5Cu	C24,C25,C26,C27,C28,C29,C30,C31
143	HK06700	PC board	P-CYCLONE-MONO BOARD-SMD	D1,D2,D3,D4
144	RD00006	SMD fixed resistor 1/8W	100Ω ±5% 0805	R1 69,R3 69,R5 69,R7 69,R43,R640,R647,R648

No.	Part No.	Description	Specification	Remark
145	RD00068	SMD fixed resistor 1/10W	100Ω ±5% 0603	R10,R633,R634,R635,R636,R6
146	RD00079	SMD fixed resistor 1/10W	560Ω ±5% 0603	R1 48,R1 75,R2 48,R2 75,R3 48,R3 75 R4 48,R4 75,R5 48,R5 75,R6 48,R6 75 R7 48,R7 75,R8 48,R8 75
147	RD00083	SMD fixed resistor 1/10W	1.0KΩ ±5% 0603	R454,R455,R456,R457,R458,R459,R460,R461, R462,R463,R464,R465,R466,R467,R468,R469, R470,R471,R472,R473,R474,R475,R476,R477, R478,R479,R480,R481,R482,R483,R484,R485
148	RD00089	SMD fixed resistor 1/10W	2.7KΩ ±5% 0603	R391,R392,R393,R394,R395,R396,R397,R398, R399,R400,R401,R402,R403,R404,R405,R406, R407,R408,R409,R410,R411,R412,R413,R414, R415,R416,R417,R418,R419,R420,R421,R422
149	RD00093	SMD fixed resistor 1/10W	4.7KΩ ±5% 0603	R1 10,R2 10,R3 10,R4 10,R5 10,R6 10 R7 10,R8 10
150	RD00094	SMD fixed resistor 1/10W	5.1KΩ ±5% 0603	R1 12,R1 7,R1 8,R2 12,R2 7,R2 8,R3 12,R 3 7,R3 8,R4 12,R4 7,R4 8,R5 12,R5 7,R5 8 R6 12,R6 7,R6 8,R7 12,R7 7,R7 8,R8 12,R 8 7,R8 8
151	RD00095	SMD fixed resistor 1/10W	5.6KΩ ±5% 0603	R29,R486,R487,R488,R489,R490,R491,R492, R493,R494,R495,R496,R497,R498,R499,R500, R501,R502,R503,R504,R505,R506,R507,R508, R509,R510,R511,R512,R513,R514,R515,R516, R517,R518,R519,R520,R521,R522,R523,R524, R525,R526,R527,R528,R529,R530,R531,R532, R533,R534,R535,R536,R537,R538,R539,R540, R541,R542,R543,R544,R545,R546,R547,R644
152	RD00101	SMD fixed resistor 1/10W	10KΩ ±5% 0603	R1 15,R1 16,R1 17,R1 18,R1 19,R1 20,R1 24,R1 25,R1 26,R1 27,R1 28,R1 29,R1 3,R1 32,R1 33,R1 34,R1 35,R1 36,R1 37,R1 4,R 1 59,R1 60,R1 70,R1 71,R1 72,R1 73,R2 1 5,R2 16,R2 17,R2 18,R2 19,R2 20,R2 24,R2 25,R2 26,R2 27,R2 28,R2 29,R2 3,R2 32,R 2 33,R2 34,R2 35,R2 36,R2 37,R2 4,R2 59, R2 60,R2 70,R2 71,R2 72,R2 73,R3 15,R3 16,R3 17,R3 18,R3 19,R3 20,R3 24,R3 25,R 3 26,R3 27,R3 28,R3 29,R3 3,R3 32,R3 33, R3 34,R3 35,R3 36,R3 37,R3 4,R3 59,R3 6 0,R3 70,R3 71,R3 72,R3 73,R4 15,R4 16,R4 17,R4 18,R4 19,R4 20,R4 24,R4 25,R4 26, R4 27,R4 28,R4 29,R4 3,R4 32,R4 33,R4 3 4,R4 35,R4 36,R4 37,R4 4,R4 59,R4 60,R4 70,R4 71,R4 72,R4 73,R5 15,R5 16,R5 17,R 5 18,R5 19,R5 20,R5 24,R5 25,R5 26,R5 2 7,R5 28,R5 29,R5 3,R5 32,R5 33,R5 34,R5 35,R5 36,R5 37,R5 4,R5 59,R5 60,R5 70,R5 71,R5 72,R5 73,R6 15,R6 16,R6 17,R6 18, R6 19,R6 20,R6 24,R6 25,R6 26,R6 27,R6 28,R6 29,R6 3,R6 32,R6 33,R6 34,R6 35,R6 36,R6 37,R6 4,R6 59,R6 60,R6 70,R6 71,R 6 72,R6 73,R7,R7 15,R7 16,R7 17,R7 18,R7 19,R7 20,R7 24,R7 25,R7 26,R7 27,R7 28, R7 29,R7 3,R7 32,R7 33,R7 34,R7 35,R7 3 6,R7 37,R7 4,R7 59,R7 60,R7 70,R7 71,R7 72,R7 73,R8,R8 15,R8 16,R8 17,R8 18,R8 1 9,R8 20,R8 24,R8 25,R8 26,R8 27,R8 28,R8 29,R8 3,R8 32,R8 33,R8 34,R8 35,R8 36,R 8 37,R8 4,R8 59,R8 60,R8 70,R8 71,R8 72, R8 73,R9,R170,R177,R181,R182,R183,R187, R191,R192,R193,R197,R201,R202,R203,R207, R211,R212,R213,R217,R221,R222,R223,R227, R231,R232,R233,R237,R241,R242,R243
153	RD00099	SMD fixed resistor 1/10W	8.2KΩ ±5% 0603	R16,R328,R329,R330,R331,R332,R333,R 334,R335,R336,R337,R338,R339,R340,R 341,R342,R343,R344,R345,R346,R347,R 348,R349,R350,R351,R352,R353,R354,R 355,R356,R357,R358,R359,R360,R361,R 362,R363,R364,R365,R366,R367,R368,R 369,R370,R371,R372,R373,R374,R375,R 376,R377,R378,R379,R380,R381,R382,R 383,R384,R385,R386,R387,R388,R389,R 390

No.	Part No.	Description	Specification	Remark
154	RD00102	SMD fixed resistor 1/10W	12KΩ ±5% 0603	R1 6,R2 6,R3 6,R4 6,R5 6,R6 6,R7 6,R8 6
155	RD00103	SMD fixed resistor 1/10W	15KΩ ±5% 0603	R21,R564,R565,R566,R567,R568,R569,R645
156	RD00306	SMD fixed resistor 1/10W	20KΩ ±5% 0603	R1 23,R3 23,R5 23,R7 23,R44,R260,R261,R641
157	RD00108	SMD fixed resistor 1/10W	33KΩ ±5% 0603	R1 40,R1 51,R2 40,R2 51,R3 40,R3 51,R4 40,R4 51,R5 40,R5 51,R6 40,R6 51,R7 40,R7 51,R8 40,R8 51
158	RD00115	SMD fixed resistor 1/10W	82KΩ ±5% 0603	R548,R549,R550,R551,R552,R553,R554,R555,R556,R557,R558,R559,R560,R561,R562,R563
159	RD00116	SMD fixed resistor 1/10W	100KΩ ±5% 0603	R1,R1 13,R1 14,R1 22,R1 57,R1 58,R1 74,R1 76,R1 77,R1 78,R2 13,R2 14,R2 22,R2 57,R2 58,R2 74,R2 76,R2 77,R2 78,R3 13,R3 14,R3 22,R3 57,R3 58,R3 74,R3 76,R3 77,R3 78,R4 13,R4 14,R4 22,R4 57,R4 58,R4 74,R4 76,R4 77,R4 78,R5,R5 13,R5 14,R5 22,R5 57,R5 58,R5 74,R5 76,R5 77,R5 78,R6,R6 13,R6 14,R6 22,R6 57,R6 58,R6 74,R6 76,R6 77,R6 78,R7 13,R7 14,R7 22,R7 57,R7 58,R7 74,R7 76,R7 77,R7 78,R8 13,R8 14,R8 22,R8 57,R8 58,R8 74,R8 76,R8 77,R8 78,R279,R280,R283,R284,R286,R287,R288,R290,R291,R293,R294,R295,R297,R298,R300,R301,R302,R304,R305,R307,R308,R309,R311,R312,R313,R314,R315,R317,R318,R320,R321,R322,R323,R324,R325,R326,R327
160	RD00118	SMD fixed resistor 1/10W	150KΩ ±5% 0603	R28,R423,R424,R425,R426,R427,R428,R429,R430,R431,R432,R433,R434,R435,R436,R437
161	CI00051	SMD ceramic capacitor 0603	22PF/50V C0G±5%(C1608C0G1H220JT)/TDK	C1 21,C1 22,C1 23,C2 21,C2 22,C2 23,C3 21,C3 22,C3 23,C4 21,C4 22,C4 23,C5 21,C5 22,C5 23,C6 21,C6 22,C6 23,C7 21,C7 22,C7 23,C8 18,C8 22,C8 23,C47,C48,C49,C50,C55,C56,C57,C58,C63,C64,C65,C66,C71,C72,C73,C74,C79,C80,C81,C82,C87,C88,C89,C90,C95,C96,C97,C98,C103,C104,C105,C106
162	CI00096	SMD ceramic capacitor 0603	560PF/50V NPO ±5 %	C217,C218,C219,C220,C221,C222,C223,C224
163	CI00069	SMD ceramic capacitor	0.0033uF/50V X7R ±10 %	C201,C202,C203,C204,C205,C206,C
164	CI00093	SMD ceramic capacitor	0.015uF/50V X7R ±10%	C177,C178,C179,C180,C181,C182,C
165	CI00072	SMD ceramic capacitor	0.022uF/50V X7R ±10%	C225,C226,C227,C228,C229,C
166	CI00075	SMD ceramic capacitor 0603	0.1uF/50V Y5V +80,-20%	C1 13,C1 14,C1 15,C1 16,C2 13,C2 14,C2 15,C2 16,C3,C3 13,C3 14,
167	SE00011	SMD rectifier diode	RLS4148 0.5A (LL-34)	D1 10,D1 9,D3 10,D3 9,D5 10,D5 9,D7,D7 10,D7 9,D8,D27,D28,D29,D30,D31,D32
168	SF00053	transistor	MMBT3906(SOT-23)/(PHI)	Q1 2,Q1 3,Q2 2,Q2 3,Q3 2,Q3 3,Q4 2,Q4 3,Q5 2,Q5 3,Q6 2,Q6 3,Q7 2,Q7 3,Q8 2,Q8 3
169	SG00122	SMD integrated circuit	NJM4580M-TE3	U1 1,U1 2,U2 1,U2 2,U3 1,U3 2,U4,U4 1,U4 2,U5,U5 1,U5 2,U6,U6 1,U6 2,U7,U7 1,U7 2,U8,U8 1,U8 2,U9,U10,U11,U15,U16,U17,U18,U22,U23,U24,U25,U29,U30,U31,U32,U36,U37,U38,U39,U43,U44,U45,U46,U50,U51,U52,U53,U57,U58,U59,U60,U61,U62,U63,U64

No.	Part No.	Description	Specification	Remark
170	AE00449	solder material without lead	9308/Sn Ag Cu	
171	HK06706	PC board	P-CYCLONE-MONO BOARD-AI	
172	CB00069	electrolytic capacitor	1000uF/6.3V $\phi$ 8*11mm	C1 18,C2 18,C3 18,C4 18,C5 18,C6 18,C7 18,C8 19
173	CB00194	electrolytic capacitor	47uF/25V $\phi$ 5*11mm	C1 1,C1 2,C1 3,C1 6,C1 7,C1 8,C1 17,C1 19,C1 20,C2 1,C2 2,C2 3,C2 6,C2 7,C2 8,C2 17,C2 19,C2 20,C3 1,C3 2,C3 3,C3 6,C3 7,C3 8,C3 17,C3 19,C3 20,C4 1,C4 2,C4 3,C4 6,C4 7,C4 8,C4 17,C4 19,C4 20,C5 1,C5 2,C5 3,C5 6,C5 7,C5 8,C5 17,C5 19,C5 20,C6 1,C6 2,C6 3,C6 6,C6 7,C6 8,C6 17,C6 19,C6 20,C7 1,C7 2,C7 3,C7 6,C7 7,C7 8,C7 17,C7 19,C7 20,C8 1,C8 2,C8 3,C8 6,C8 7,C8 8,C8 17,C8 21,C8 20
174	HA01933	jump	2.5mm	C1 10,C2 10,C3 10,C4 10,C5 10,C6 10,C7 10,C8 10
175	AC00179	tin without lead	M705E Sn 3Ag-0.5Cu	C48,C49
176	HB01993	PCB-RS	MONO BOARD VER060215	C51,C54
177	HK06608	PC board	P-CYCLONE-STEREO PU-DIP	D9,D10,D11,D12
178	HC00610	connector(male)	10P 2.54mm 90°	J33,J34,J35,J36
179	HC00371	MIC jack	SCJ-0658-1-Y	J2,J3
180	HC00125	MIC jack-RS	JY-6351G-02-250	J9 2,J9 3,J10 2,J10 3,J11 2,J11 3,J12 2,J12 3,J5,J6,J7,J8,J9,J10,J11,J12,J15,J16,J17,J18,J20,J21,J22,J23,J24,J25,J26,J27
181	HC00403	RCA jack	SCP6873NS3232T2 4P	J19
182	HC00339	connect terminal	6.5m/m (PCF250)	J32
183	HC00885	connector(male)-RS	7P 2.0mm 180°(A2004WV-2*7P)	J28,J29,J30
184	HC00126	balance MIC jack-RS	JY-5042-030G female plug 180°	J9 1,J10 1,J11 1,J12 1
185	HC00392	balance MIC jack-RS	JY-5030-030G 180°	J1,J4
186	AC00179	tin without lead	M705E Sn 3Ag-0.5Cu	J6
187	HK06610	PC board	P-CYCLONE-STEREO PU-SMD	
188	RD00068	SMD fixed resistor 1/10W	100 $\Omega$ $\pm$ 5% 0603	R17,R62,R64,R66,R68,R70,R72,R74,R76,R78,R80,R81,R85,R93,R94,R95,R97,R98,R99,R100,R101,R102,R103,R104,R105,R106,R107,R108
189	RD00083	SMD fixed resistor 1/10W	1.0K $\Omega$ $\pm$ 5% 0603	R57,R60
190	RD00088	SMD fixed resistor 1/10W	2.2K $\Omega$ $\pm$ 5% 0603	R9 2,R10 2,R11 2,R12 2
191	RD00214	SMD precise resistor 1/10W	10.0K $\Omega$ $\pm$ 1% 0603	R5,R6,R7,R8,R9,R9 8,R9 9,R9 10,R9 11,R9 12,R9 13,R9 15,R9 16,R10,R10 8,R10 9,R10 10,R10 11,R10 12,R10 13,R10 15,R10 16,R11 8,R11 9,R11 10,R11 11,R11 12,R11 13,R11 15,R11 16,R12 8,R12 9,R12 10,R12 11,R12 12,R12 13,R12 15,R12 16,R13,R14,R15,R16,R18,R19,R20,R21,R22,R23,R25,R26,R27,R28,R29,R30,R31,R32,R33,R34,R35,R36,R37,R38,R40,R41,R45,R46,R47,R48,R49,R51,R59,R83,R84,R87,R88,R89,R90,R91,R92,R96
192	RD00105	SMD fixed resistor 1/10W	22K $\Omega$ $\pm$ 5% 0603	R56,R58
193	RD00116	SMD fixed resistor 1/10W	100K $\Omega$ $\pm$ 5% 0603	R1,R2,R3,R4,R11,R12,R24,R39,R42,R43,R44,R50,R52,R53,R54,R55,R61,R63,R65,R67,R69,R71,R73,R75,R77,R79,R82,R86
194	RD00030	SMD fixed resistor 1/8W	6.8K $\Omega$ $\pm$ 5% 0805	R9 1,R9 3,R10 1,R10 3,R11 1,R11 3,R12 1,R12 3
195	CI00051	SMD ceramic capacitor 0603	22PF/50V C0G $\pm$ 5%(C1608C0G1H220JT)/TDK	C9,C9 9,C9 10,C9 11,C9 12,C10,C10 9,C10 10,C10 11,C10 12,C11,C11 9,C11 10,C11 11,C11 12,C12,C12 9,C12 10,C12 11,C12 12,C29,C30,C31,C32,C37,C38,C39,C40,C45,C46,C49,C50

No.	Part No.	Description	Specification	Remark
196	CI00053	SMD ceramic capacitor 0603	33PF/50V C0G±5%(C1608C0G1H330JT)/TDK	C15,C16,C17,C18,C19,C58,C59,C64
197	CI00075	SMD ceramic capacitor 0603	0.1uF/50V Y5V +80,-20%	C9 14,C9 17,C10 14,C10 17,C11 14,C11 17,C12 14,C12 17,C66,C68,C81,C82,C83,C84,C85,C86,C87,C88
198	SG00122	SMD integrated circuit	NJM4580M-TE3	U1,U2,U4,U5,U6,U7,U9 2,U10 2,U11 2,U12 2
199	AE00449	solder material without lead	9308/Sn Ag Cu	CN2
200	HK06609	PC board	P-CYCLONE-STEREO PU-AI	
201	CB00194	electrolytic capacitor	47uF/25V φ5*11mm	C9 5,C9 6,C9 7,C9 8,C10 5,C10 6,C10 7,C10 8,C11 5,C11 6,C11 7,C11 8,C12 5,C12 6,C12 7,C12 8,C1,C2,C3,C4,C5,C6,C7,C8,C13,C14,C20,C21,C22,C23,C24,C25,C26,C27,C28,C33,C34,C35,C36,C41,C42,C43,C44,C47,C48,C51,C52,C53,C54,C55,C56,C57,C60,C61,C62,C63,C65,C67,C69,C71,C73,C75,C77,C79
202	CB00249	electrolytic capacitor	47uF/50V φ6.3*11mm 2.5mm	C9 1,C9 2,C10 1,C10 2,C11 1,C11 2,C12 1,C12 2
203	AC00179	tin without lead	M705E Sn 3Ag-0.5Cu	
204	HB01994	PCB-RS	STEREO PU VER060215	
205	HK06709	PC board	P-CYCLONE-STEREO BOARD-DIP	
206	SD00007	integrated circuit	BA15218N (M5218L substitute)	U11,U29
207	SB00175	transistor	2SA970-BL(TE2;T)	Q8,Q9
208	SB00062	transistor	BC337-25	Q1,Q2,Q3,Q9 1,Q10,Q11,Q13 1
209	SA00052	L.E.D	φ3 round(green)long foot 26	D9 2,D11 2,D13 2,D15 2,D13,D14,D21,D22,D23,D24,D40,D41,D43,D57,D58,D78,D79,D80,D81,D82,D83
210	SA00053	L.E.D	φ3 round(red)long foot 26mm	D9 1,D9 7,D9 8,D9 9,D9 10,D9 11,D11 1,D11 7,D11 8,D11 9,D11 10,D11 11,D13 1,D13 7,D13 8,D13 9,D13 10,D13 11,D15 1,D15 7,D15 8,D15 9,D15 10,D15 11,D55,D59
211	SA00201	L.E.D	φ5 red(LI3330/A)	D47
212	SA00054	L.E.D	3m/m round(yellow)long foot 26	D12,D20,D31,D32,D35,D36,D60,D61,D72,D73,D74,D75
213	SA00071	L.E.D	φ3 green LVG2340/A	D1,D2,D3,D4,D29,D30,D34,D38,D45,D9 4,D11 4,D13 4,D15 4
214	SA00072	L.E.D	φ3 red LI2340/A	D9 3,D11 3,D13 3,D15 3,D25,D26,D33,D37,D44
215	NI01773	LED spacer support	LEDS-13	
216	NI02384	LED spacer support	LEDS-4 4mm	C28,C29,C30,C31,C5,C6,C7,C8
217	NI01765	LED spacer support	LEDS-10 10mm	C38,C39,C40,C41
218	RC00393	slide potentiometer	A10KΩ RFA0S11G6006-10KA(AA)	R1,R2,R3,R4
219	RC00395	slide potentiometer-dual unit	A10K RFA0N12G6501-10KAx2(AA)	R9 110,R11 110,R13 110,R15 110,R53
220	RC00429	potentiometer	B10KΩ RK09K113Z111-10K2B(SAS1);30F-C	R9 109,R11 109,R13 109,R15 109,R408,R410,R412,R434
221	RC00428	potentiometer	B20KΩ RK09K113Z115-20K2B(SAS1);30F-C	R186,R187,R208,R209,R220,R221
222	RC00358	potentiometer	B50KΩ-RD09F113A223-50K2BT(SAS1);30F-C	R151
223	RC00360	potentiometer	B50KΩ RD12L12CA23A-50K3BT*2(SAS1);30F-C	R9 7,R9 20,R9 21,R9 22,R9 23,R11 7,R11 20,R11 21,R11 22,R11 23,R13 7,R13 20,R13 21,R13 22,R13 23,R15 7,R15 20,R15 21,R15 22,R15 23,R246,R247

No.	Part No.	Description	Specification	Remark
224	RC00530	potentiometer	B20KΩ RD09K12CZ031-20K3Bx2(SAS):30F-C	R9 26,R9 29,R9 32,R9 35,R9 38,R9 44,R11 26,R11 29,R11 32,R11 35,R11 38,R11 44,R13 26,R13 29,R13 32,R13 35,R13 38,R13 44,R15 26,R15 29,R15 32,R15 35,R15 38,R15 44,R132,R323,R327,R331,R334,R344,R348,R352,R355,R365,R369,R373,R376,R386,R390,R394,R397,R407,R409,R411,R413,R693,R694,R695,R696,R697,R698,R699,R700
225	RC00356	potentiometer	Z10KΩ RD09F1130042-10KZ(SAS1):30F	R9 1,R11 1,R13 1,R15 1
226	HC00626	connector	2.5 180° 1*15P B24-1*15BG1(A)H5	H9 1,H11 1,H13 1,H15 1
227	HC00339	connect terminal	6.5m/m (PCF250)	J21
228	HI00237	push-button switch-RS	2stage 12P PS-13422R(SELF-LOCK)	S1,S3,S6,S9,S11,S13,S16,S20,S21,S22,S23,S24,S25,S26,S27,S28,S29,S30,S31,S35,S36,S39,S40,S41,S46,S56,S9 5,S9 6,S9 9,S11 5,S11 6,S11 9,S13 5,S13 6,S13 9,S15 5,S15 6,S15 9
229	HI00236	push-button switch-RS	2-stage 6P PS-9226A(SELF-LOCK)	S2,S4,S5,S7,S8,S10,S12,S14,S15,S17,S18,S19,S32,S33,S34,S37,S38,S57,S58,S9 1,S9 10,S9 2,S9 3,S9 4,S9 7,S11 1,S11 10,S11 2,S11 3,S11 4,S11 7,S13 1,S13 10,S13 2,S13 3,S13 4,S13 7,S15 1,S15 10,S15 2,S15 3,S15 4,S15 7
230	HC00077	connector(male)	3P 2.5mm 180°	J2
231	HC00254	connector(male)	3P 2.0mm 180°	J3
232	HC00256	connector(male)	5P 2.0mm 180°	J10
233	HC00259	connector(male)	8P 2.0mm 180°	J22,J23
234	HC00397	connector(male)	10P 2.0mm 180°	J14
235	HC00321	connector(male)	14P 2.0mm 180°	J5
236	HC00883	connector(male)-RS	2P 2.0mm 180°(A2004WV-2*2P)	J6
237	HC00885	connector(male)-RS	7P 2.0mm 180°(A2004WV-2*7P)	J4,J7,J8,J16
238	HC00886	connector(male)-RS	8P 2.0mm 180°(A2004WV-2*8P)	J24
239	HA04569	wire-RS	10P-10P 140mm UL2651 28AWG PH1.27mm	J9,J11,J13,J15
240	HA00392	wire	270mm black L5R5	JUMP
241	HK02084	PC board	P-MONO PRE 60dB REV03-DIP	L3,L4,L5,L6,L10,L11,L12,L13
242	HC00717	connector	2.54 180° 15P 16.5 2.5/5/9mm	CON1
243	HK02085	PC board	P-MONO PRE 60dB REV03-SMD	TE11,TE13
244	RD00116	SMD fixed resistor 1/10W	100KΩ ±5% 0603	R33
245	CI00075	SMD ceramic capacitor 0603	0.1uF/50V Y5V +80,-20%	C6,C7,C23,C24
246	RD00101	SMD fixed resistor 1/10W	10KΩ ±5% 0603	R24,R25,R27,R28
247	RD00214	SMD precise resistor 1/10W	10.0KΩ ±1% 0603	R22,R23
248	CI00071	SMD ceramic capacitor 0603	0.01uF/50V X7R ±10%	C10,C11
249	RD00201	SMD precise resistor 1/10W	1.50KΩ ±1% 0603	R31,R32
250	CI00065	SMD ceramic capacitor 0603	0.001uF/50V X7R ±10%	C16,C17
251	RD00306	SMD fixed resistor 1/10W	20KΩ ±5% 0603	R4,R5,R7
252	RD00204	SMD precise resistor 1/10W	2.49KΩ ±1% 0603	R9,R10,R11,R12,R13,R14,R15
253	CI00062	SMD ceramic capacitor 0603	330PF/50V NPO ±5 %	C9
254	SF00053	transistor	MMBT3906(SOT-23)/(PHI)	TR4,TR1,TR2,TR3

No.	Part No.	Description	Specification	Remark
255	RD00078	SMD fixed resistor 1/10W	470Ω ±5% 0603	R16,R17
256	RD00355	SMD fixed resistor 1/10W	4.7Ω ±5% 0603	R3
257	RD00210	SMD precise resistor 1/10W	5.11KΩ ±1% 0603	R18,R19,R20,R21
258	RD00097	SMD fixed resistor 1/10W	6.8KΩ ±5% 0603	R29,R30
259	SE00028	SMD rectifier diode	BAS316,115	D1
260	HB01400	PCB	MONO PRE 60dB ALTO REV04	C40,C41,C42,C43
261	AE00449	solder material without lead	9308/Sn Ag Cu	C3
262	SE00011	SMD rectifier diode	RLS4148 0.5A (LL-34)	D2,D3,D4,D5
263	RD00065	SMD fixed resistor 1/10W	47Ω ±5% 0603	R1,R2
264	CI00266	SMD ceramic capacitor-RS 0603	22PF/50V NPO ±5 %	C8,C12,C13,C14,C15
265	SG00122	SMD integrated circuit	NJM4580M-TE3	U1,U2,U3
266	SB00175	transistor	2SA970-BL(TE2;T)	TR5,TR6
267	AC00179	tin without lead	M705E Sn 3Ag-0.5Cu	R28,R35
268	ND00083	EV foam	10*25*5	
269	MI02953	fixed bracket	CYCLONE160 7*7.5*173 L type V1.0	R31
270	MJ00061	iron board	1*2135*1220 20.45kg	R39,R40,R41,R42,R43,R44,R45,R46
271	MG00199	screw	M3*4	
272	AC00179	tin without lead	M705E Sn 3Ag-0.5Cu	D8
273	HK06701	PC board	P-CYCLONE-STEREO BOARD-SMD	U6
274	RD00059	SMD fixed resistor 1/10W	0.0Ω ±5% 0603	R7,R8,R9
275	RD00006	SMD fixed resistor 1/8W	100Ω ±5% 0805	R9 41,R13 41,R77,R81,R638,R640,R688
276	RD00068	SMD fixed resistor 1/10W	100Ω ±5% 0603	R54,R88,R501,R543,R544,R545
277	RD00069	SMD fixed resistor 1/10W	120Ω ±5% 0603	R678,R679
278	RD00078	SMD fixed resistor 1/10W	470Ω ±5% 0603	R78,R79,R82,R83,R90,R91
279	RD00080	SMD fixed resistor 1/10W	680Ω ±5% 0603	R682,R683
280	RD00082	SMD fixed resistor 1/10W	820Ω ±5% 0603	R672,R673
281	RD00083	SMD fixed resistor 1/10W	1.0KΩ ±5% 0603	R159,R161,R167
282	RD00084	SMD fixed resistor 1/10W	1.2KΩ ±5% 0603	R680,R681
283	RD00086	SMD fixed resistor 1/10W	1.8KΩ ±5% 0603	R546,R547,R548,R549,R550,R551,R552,R553,R554,R555,R556,R557,R558,R559,R560,R561,R562,R563,R564,R565,R566,R567,R568,R569,R570,R571,R572,R573,R574,R575,R576,R577
284	RD00088	SMD fixed resistor 1/10W	2.2KΩ ±5% 0603	R667,R668
285	RD00089	SMD fixed resistor 1/10W	2.7KΩ ±5% 0603	R9 18,R9 9,R11 18,R11 9,R13 18,R13 9,R15 18,R15 9
286	RD00090	SMD fixed resistor 1/10W	3.0KΩ ±5% 0603	R174,R175,R177,R178,R180,R183
287	RD00091	SMD fixed resistor 1/10W	3.3KΩ ±5% 0603	R684,R685
288	RD00093	SMD fixed resistor 1/10W	4.7KΩ ±5% 0603	R9 113,R9 115,R9 131,R9 134,R11 113,R11 115,R11 131,R11 134,R13 113,R13 115,R13 131,R13 134,R15 113,R15 115,R15 131,R15 134,R84,R95,R131,R232,R249,R297,R300,R303,R306,R309,R312,R315,R318,R335,R343,R358,R364,R379,R385,R389,R393,R438
289	RD00097	SMD fixed resistor 1/10W	6.8KΩ ±5% 0603	R153,R154,R298,R299,R301,R302,R304,R305,R307,R308,R310,R311,R313,R314,R316,R317,R319,R320

No.	Part No.	Description	Specification	Remark
290	RD00096	SMD fixed resistor 1/10W	6.2KΩ ±5% 0603	R13,R24,R37,R47
291	RD00094	SMD fixed resistor 1/10W	5.1KΩ ±5% 0603	R9 117,R9 132,R11 117,R11 132,R13 117,R13 132,R15 117,R15 132,R60,R67 ,R70,R72,R75,R100,R104,R111,R120,R1 27,R130,R340,R361,R382,R403,R416,R4 18,R422,R425,R428,R55,R57
292	RD00101	SMD fixed resistor 1/10W	10KΩ ±5% 0603	R5,R6,R9 11,R9 112,R9 119,R9 120,R9 121,R9 122,R9 123,R9 124,R9 125,R9 126,R9 127,R9 128,R9 133,R9 2,R9 2 7,R9 28,R9 30,R9 31,R9 33,R9 34,R9 36,R9 37,R9 39,R9 40,R9 42,R9 43,R9 60,R9 65,R9 68,R9 69,R9 79,R9 82,R 11,R11 11,R11 112,R11 119,R11 120,R 11 121,R11 122,R11 123,R11 124,R11 125,R11 126,R11 127,R11 128,R11 133 ,R11 2,R11 27,R11 28,R11 30,R11 31, R11 33,R11 34,R11 36,R11 37,R11 39, R11 40,R11 42,R11 43,R11 60,R11 65, R11 68,R11 69,R11 79,R11 82,R13 11, R13 112,R13 119,R13 120,R13 121,R1 3 122,R13 123,R13 124,R13 125,R13 1 26,R13 127,R13 128,R13 133,R13 2,R1 3 27,R13 28,R13 30,R13 31,R13 33,R1 3 34,R13 36,R13 37,R13 39,R13 40,R1 3 42,R13 43,R13 60,R13 65,R13 68,R1 3 69,R13 79,R13 82,R15,R15 11,R15 1 12,R15 119,R15 120,R15 121,R15 122, R15 123,R15 124,R15 125,R15 126,R1 5 127,R15 128,R15 133,R15 2,R15 27, R15 28,R15 30,R15 31,R15 33,R15 34, R15 36,R15 37,R15 39,R15 40,R15 42, R15 43,R15 60,R15 65,R15 68,R15 69, R15 79,R15 82,R18,R22,R25,R26,R29,R 30,R35,R39,R42,R46,R49,R50,R61,R64,R 65,R69,R71,R74,R85,R94,R99,R102,R10 3,R110,R112,R114,R124,R125,R129,R13 3,R134,R135,R136,R137,R138,R139,R14 0,R141,R142,R143,R144,R152,R157,R15 8,R163,R164,R165,R170,R184,R223,R22 4,R229,R231,R234,R248,R324,R325,R32 8,R329,R332,R333,R336,R337,R338,R33 9,R341,R342,R345,R346,R349,R350,R35 3,R354,R356,R357,R359,R360,R362,R36 3,R366,R367,R370,R371,R374,R375,R37 7,R378,R380,R381,R383,R384,R387,R38 8,R391,R392,R3,R450,R451,R452,R453, R454,R455,R456,R457,R458,R459,R460, R461,R462,R463,R464,R466,R467,R468, R469,R471,R472,R474,R479,R480,R482, R485,R487,R490,R491,R493,R494,R495, R496,R502,R503,R504,R505,R506,R507, R508,R509,R510,R511,R512,R513,R514, R515,R654,R655,R663,R665,R669,R670, RR706,R707,R708,R709,R710,R711,R71 2,R713,R714,R396,671,R674,R675,R676, R677,R690,R691,R692,R701,R702,R703, R704,R705,R399,R400,R401,R402,R404, R405,R414,R415,R417,R420,R421,R424, R426,R427,R446,R447,R448,R449
293	RD00102	SMD fixed resistor 1/10W	12KΩ ±5% 0603	R149,R181,R182
294	RD00103	SMD fixed resistor 1/10W	15KΩ ±5% 0603	R595,R596,R597,R598,R599,R600,R 601,R602,R603,R604,R605,R606,R60 7,R608,R609,R610,R611,R612



No.	Part No.	Description	Specification	Remark
295	RD00306	SMD fixed resistor 1/10W	20KΩ ±5% 0603	R9 48,R13 47,R59,R68,R76,R80,R98,R128,R260,R266,R267,R268,R269,R278,R281,R282,R283,R286,R287,R288,R423,R475,R476,R637,R686,R687
296	RD00105	SMD fixed resistor 1/10W	22KΩ ±5% 0603	R150,R179
297	RD00106	SMD fixed resistor 1/10W	27KΩ ±5% 0603	R9 16,R9 17,R9 6,R9 8,R11 16,R11 17,R11 6,R11 8,R13 16,R13 17,R13 6,R13 8,R15 16,R15 17,R15 6,R15 8
298	RD00107	SMD fixed resistor 1/10W	30KΩ ±5% 0603	R326,R330,R347,R351,R368,R372,R398,R406,R465,R470,R473,R477,R478,R481,R483,R484,R486,R488,R489,R649,R650,R651,R652,R653
299	RD00108	SMD fixed resistor 1/10W	33KΩ ±5% 0603	R664,R666
300	RD00109	SMD fixed resistor 1/10W	39KΩ ±5% 0603	R629,R630,R631,R632,R633,R634,R635,R636
301	RD00116	SMD fixed resistor 1/10W	100KΩ ±5% 0603	R9 10,R9 106,R9 108,R9 118,R9 135,R9 139,R9 143,R9 15,R9 19,R9 24,R9 25,R9 3,R9 4,R9 45,R9 46,R9 47,R9 5,R10,R11 10,R11 106,R11 108,R11 118,R11 135,R11 139,R11 143,R11 15,R11 19,R11 24,R11 25,R11 3,R11 4,R11 41,R11 46,R11 47,R11 48,R11 5,R12,R13 10,R13 106,R13 108,R13 118,R13 135,R13 139,R13 143,R13 15,R13 24,R13 25,R13 3,R13 4,R13 45,R13 46,R13 48,R13 5,R14,R15 10,R15 106,R15 108,R15 118,R15 135,R15 139,R15 143,R15 15,R15 19,R15 24,R15 25,R15 3,R15 4,R15 41,R15 45,R15 46,R15 5,R16,R17,R19,R34,R41,R62,R73,R86,R87,R89,R93,R101,R113,R122,R147,R148,R168,R173,R185,R270,R271,R272,R273,R274,R275,R276,R277,R279,R280,R284,R285,R419,R429,R433,R492,R497,R498,R499,R500,R520,R521,R522,R523,R524,R525,R526,R527,R528,R529,R530,R531,R532,R533,R534,R639,R641,R642,R643,R644,R645,R646
302	RD00118	SMD fixed resistor 1/10W	150KΩ ±5% 0603	R656,R657
303	RD00119	SMD fixed resistor 1/10W	220KΩ ±5% 0603	R578,R579,R580,R581,R582,R583,R584,R585,R586,R587,R588,R589,R590,R591,R592,R593,R594
304	RD00124	SMD fixed resistor 1/10W	820KΩ ±5% 0603	R659,R660,R661,R662
305	RD00125	SMD fixed resistor 1/10W	1.0MΩ ±5% 0603	R613,R614,R615,R616,R617,R618,R619,R620,R621,R622,R623,R624,R625,R626,R627,R628
306	CI00051	SMD ceramic capacitor 0603	22PF/50V C0G±5%(C1608C0G1H220JT)/TDK	C3,C4,C8,C9,C9 10,C9 2,C9 20,C9 42,C11 10,C11 4,C13 10,C13 4,C15 10,C15 4,C152,C155,C156,C157,C158,C159,C160,C161,C162,C163,C164,C165,C166,C167,C168,C169,C170,C171,C172,C173,C174,C175,C176,C177,C178,C179,C180,C181,C182,C183,C184,C185,C186,C187,C188,C189,C190,C191,C192,C193,C9 32,C9 41,C11 16,C11 2,C11 20,C11 32,C13,C13 16,C13 2,C13 20,C13 32,C14,C15 16,C15 2,C15 20,C15 32,C19,C52,C53,C57,C58,C98,C99,C101,C102,C105,C107,C108,C118,C146,C148,C198,C199,C200,C201,C202,C203,C204,C205,C206,C207,C208,C209,C210,C211,C404
307	CI00059	SMD ceramic capacitor 0603	100PF/50V NPO ±5%	C59,C61,C92,C96,C149

No.	Part No.	Description	Specification	Remark
308	CI00067	SMD ceramic capacitor 0603	0.0022uF/50V X7R ±10%	C290,C291,C292,C293,C294,C295,C296,C297
309	CI00069	SMD ceramic capacitor 0603	0.0033uF/50V X7R ±10 %	C322,C323,C324,C325,C326,C327,C328,C329,C330,C331,C332,C333,C334,C335,C336,C337
310	CI00071	SMD ceramic capacitor 0603	0.01uF/50V X7R ±10%	C40,C45,C48,C49,C50,C51,C54
311	CI00093	SMD ceramic capacitor 0603	0.015uF/50V X7R ±10%	C298,C299,C300,C301,C302,C303,C304,C305,C306,C307,C308,C309,C310,C311,C312,C313
312	CI00073	SMD ceramic capacitor 0603	0.033uF/50V X7R ±10%	C314,C315,C316,C317,C318,C319,C320,C321
313	CI00075	SMD ceramic capacitor 0603	0.1uF/50V Y5V +80,-20%	C9 22,C9 23,C9 24,C9 25,C9 28,C9 29 ,C9 39,C9 40,C11 22,C11 23,C11 24,C11 25,C11 28,C11 29,C11 39,C11 40,C13 22,C13 23,C13 24,C13 25,C13 28,C13 29,C13 39,C13 40,C15 22,C15 23,C15 24,C15 25,C15 28,C15 29,C15 39,C15 40,C29,C30,C31,C32,C33,C34,C35,C36,C41,C42,C63,C65,C68,C71,C113,C114,C115,C116,C117,C119,C120,C121,C122,C123,C124,C125,C127,C128,C129,C130,C135,C136,C137,C138,C139,C140,C141,C142,C143,C144,C151,C153,C154,C228,C229,C230,C231,C232,C233,C234,C235,C236,C237,C238,C239,C240,C241,C242,C243,C244,C245,C246,C247,C248,C249,C250,C251,C252,C253,C254,C255,C256,C257,C258,C259,C260,C261,C479,C480,C481,C482,C483,C484,C485,C486,C487,C488,C489,C490,C491,C492,C493,C494,C495,C496,C497,C498,C499,C500,C501,C502,C503
314	SE00011	SMD rectifier diode	RLS4148 0.5A (LL-34)	D5,D6,D7,D8,D9,D10,D11,D15,D16,D17,D18,D19,D27,D28,D39,D42,D46,D48,D49,D50,D51,D52,D53,D54,D56,D66,D67,D68,D69,D70,D71,D76,D77,D84,D85,D86,D87,D88,D89,D90,D91,D95,D96,D135,D136
315	SG00122	SMD integrated circuit	NJM4580M-TE3	U1,U2,U3,U4,U5,U6,U7,U8,U9,U9 1,U9 3 ,U9 4,U9 5,U11 1,U11 3,U11 4,U11 5,U13 1,U13 3,U13 4,U13 5,U14,U15 1,U15 3,U15 4,U15 5,U16,U17,U18,U19,U20,U21,U22,U23,U25,U26,U27,U28,U30,U31,U32,U33,U34,U35,U36,U49,U50,U51,U52,U53,U54,U55,U56,U57,U58,U59,U60,U61,U62,U63,U64,U65,U66,U67,U68,U69,U75,U76
316	SF00051	transistor	SST176(S6)(SOT-23)/(VISHAY)	Q4,Q5,Q6,Q7
317	SF00053	transistor	MMBT3906(SOT-23)/(PHI)	Q9 2,Q9 3,Q9 4,Q11 2,Q11 3,Q13 2,Q13 3,Q15 2,Q15 3
318	SG00116	SMD integrated circuit	BA1033FV E2	U70,U71,U73,U74
319	AE00449	solder material without lead	9308/Sn Ag Cu	
320	RD00268	SMD fixed resistor 1/10W	300KΩ ±5% 0603	R658
321	RD00111	SMD fixed resistor 1/10W	47KΩ ±5% 0603	R251,R253
322	RD00445	SMD precise resistor 1/10W	2.43KΩ ±1% 0603	R233,R222
323	RD00095	SMD fixed resistor 1/10W	5.6KΩ ±5% 0603	R172
324	HK06708	PC board	P-CYCLONE-STEREO BOARD-AI	
325	CB00011	electrolytic capacitor	2.2uF/50V φ5*11mm	C69,C73

No.	Part No.	Description	Specification	Remark
326	CB00165	electrolytic capacitor	10uF/16V φ4*5mm	C66,C72
327	CB00025	electrolytic capacitor	10uF/50V φ6*7mm	C93,C95
328	CB00194	electrolytic capacitor	47uF/25V φ5*11mm	C1,C2,C5,C6,C7,C10,C11,C12,C15,C16,C17,C18,C20,C22,C24,C25,C26,C47,C55,C60,C62,C64,C67,C70,C82,C84,C86,C87,C88,C89,C94,C145,C147,C270,C271,C272,C273,C274,C275,C276,C277,C280,C281,C282,C283,C284,C285,C286,C287,C288,C289,C339,C340,C346,C347,C350,C351,C354,C355,C510,C511,C512,C9 1,C9 3,C9 4,C9 6,C9 8,C9 12,C9 13,C9 14,C9 15,C9 21,C9 33,C9 34,C9 35,C9 43,C9 44,C11 1,C11 3,C11 6,C11 8,C11 12,C11 13,C11 14,C11 15,C11 17,C11 18,C11 21,C11 30,C11 33,C11 34,C11 35,C13 1,C13 3,C13 6,C13 8,C13 12,C13 13,C13 14,C13 15,C13 17,C13 19,C13 21,C13 30,C13 33,C13 34,C13 35,C15 1,C15 3,C15 6,C15 8,C15 12,C15 13,C15 14,C15 15,C15 17,C15 19,C15 21,C15 30,C15 33,C15 34,C15 35
329	CB00166	electrolytic capacitor	100uF/16V φ6*5mm	C9 5,C9 11,C11 5,C11 11,C13 5,C13 11,C15 5,C15 11,C46,C338
330	CB00069	electrolytic capacitor	1000uF/6.3V φ8*11mm	C9 7,C11 7,C13 7,C15 7
331	RA00184	fixed resistor 1/4W	100Ω M type	R58,R225,R228,R235,R239,R689
332	RA00136	fixed resistor 1/2W	2.2KΩ M type	R256,R257
333	RA00140	fixed resistor 1/2W	4.7KΩ M type	R259
334	RA00242	fixed resistor 1/4W	10KΩ M type	R192,R193,R195,R196,R202,R203,R205,R206,R212,R213,R215,R216
335	HA01933	jump	2.5mm	C9 18,C11 19,C13 18,C15 18,C100,C103,C106,C109
336	AC00179	tin without lead	M705E Sn 3Ag-0.5Cu	
337	HB01995	PCB-RS	STEREO BOARD-VER060217	
338	HK06710	K-PC BOARD	P-CYCLONE-LIGHT CONNECTOR	
339	HB01933	PCB-RS	LIGHT CONNECTOR VER060217	
340	HC00125	MIC jack-RS	JY-6351G-02-250	X1
341	HC00615	balance MIC jack	NC4FAV-0 4PIN (NEUTRIK)	J20
342	HC00126	balance MIC jack-RS	JY-5042-030G female plug 180°	J19
343	HC00065	connector(male)	2P 2.5mm 90°	J18
344	HC00248	connector(male)	3P 2.0mm 90°	J12
345	HC00066	connector(male)	3P 2.5mm 90°	J17
346	AC00179	tin without lead	M705E Sn 3Ag-0.5Cu	
347	HK06711	PC board	P-CYCLONE-POWER CONNECTOR	C9,C12
348	HB01934	PCB-RS	POWER CONNECTOR VER060217	C4,C3
349	HC00339	connect terminal	6.5m/m (PCF250)	J30
350	HC00253	connector(male)	2P 2.0mm 180°	CN12
351	HC00076	connector(male)	2P 2.5mm 180°	CN11
352	HC00258	connector(male)	7P 2.0mm 180°	CN7
353	AC00179	tin without lead	M705E Sn 3Ag-0.5Cu	CN1
354	HA04605	wire-RS	2*2P-2*2P 190/105/370mm UL1007 26AWG	F1-15,F2-15

No.	Part No.	Description	Specification	Remark
355	HA04606	wire-RS	2*5P-2*5P 190/240mm UL1007 24AWG	F1-15,F2-15
356	HA04607	wire-RS	2*7P-2*7P 190/30/770mm UL1007 24AWG	BD1
357	HA04608	wire-RS	2*10P-2*10P 190/60mm UL1007 24AWG	D5
358	HA04609	wire-RS	2*14P-2*14P 190/30mm UL1007 24AWG	D2,D4
359	HA04615	wire-RS	3P-3P 290mm UL1007 26AWG red/white	D1,D6
360	HA04616	wire-RS	2P-2P 580mm UL1007 24AWG red/white	D11,D12
361	HA04617	wire-RS	8P-8P 160/240mm UL1007 24AWG red/white	Q1
362	HA04618	wire-RS	2*7P-2*7P 400mm UL1007 26AWG red/white	Q10
363	HA04619	wire-RS	2*7P-2*7P 480mm UL1007 26AWG red/white	Q2
364	HA04620	wire-RS	2*7P-2*7P 600mm UL1007 26AWG red/white	Q9
365	HA04585	wire-RS	240mm UL1015 18AWG black	Q3
366	HA04587	wire-RS	210/340mm UL1015 18AWG black	Q8
367	MG00645	copper nut	M3*16*0.5PH V1.0	
368	MG00363	copper pillar	M3*14*0.5PH	Q4,Q5
369	MG00041	screw	M3*6	
370	MG00249	screw	screw	
371	MG00589	screw	M3*4	
372	MG00281	screw	M3*6	
373	MG00027	screw	M3*12	
374	MG00061	screw	M3*10	
375	ME00060	MIC jack	JY-6351G-02-250	J7
376	MF00061	MIC jack	φ9.6*φ13*0.5t	
377	HC00683	connector	CB-6MC 6P male adoptor	J1,J6
378	NI02842	plastic foot	φ21.8*10(FFS-1) V1.0	
379	NI04089	fixed board	TYPHOON1600 5.5*76*121 black V1.0	J4
380	NI03710	rubber stopper	50.9*6.8 black V1.1	
381	NI02926	button	13.9*10*24mm TYPHOON V1.4	J3,J5
382	NI03140	knob	5*5*9 TYPHOON V1.0	
383	NI03139	knob	10*5*9 TYPHOON V1.0	J2
384	NI03055	knob	24*9.5*10.5 TYPHOON	
385	NI03056	knob	24*9.5*10.5 TYPHOON	D3,D7,D8
386	NI03367	knob	24*9.5*10.5 CYCLONE V1.0	R37,R38
387	NI00359	knob	φ10*16.5	
388	NI02692	knob cover	φ7*3.5 black	R27
389	NI02678	knob cover	φ7*3.5 534C blue	R1
390	NI02867	knob cover	φ7*3.5 221U V1.0	R6,R16
391	NI03161	knob cover	φ7*3.5 yellow V1.0	R17,R9
392	NI04287	spacer support-RS	RAM-14 14mm	R8
393	NI00218	cable tie	ALT-102SB	
394	NI04282	header fixed bracket-RS	FCN-15(3M)	R23,R3
395	NI04340	header fixed bracket-RS	WLL-3(3M)	
396	NF02542	instruction	CYCLONE 160/240/320 ALTO V1.1	R11,R14

No.	Part No.	Description	Specification	Remark
397	NH00149	paper	889*640mm	R19,R5
398	NA00122	PE bag	0.04t*350*230mm	R13
399	NA00550	PE bag-RS	0.1t*83*92cm	R22
400	NA00558	silk wadding-RS	CYCLONE 240 front right V1.0	R21
401	NA00559	silk wadding-RS	CYCLONE 240 front left V1.0	C6
402	NA00560	silk wadding-RS	CYCLONE 240 behind right V1.0	C15
403	NA00561	silk wadding-RS	CYCLONE 240 behind left V1.0	C11,C7
404	NB04771	box-RS	CYCLONE 240 ALTO V1.0	C8,C10
405	NB04773	box-RS	CYCLONE240 ALTO V1.0	C5,C14
406	NB04772	box-RS	CYCLONE240 ALTO V1.0	
407	NB04740	box	CYCLONE 320-PWR V1.0	CN3,CN4
408	NB04775	box-RS	CYCLONE160-PWR V1.0	
409	NB04741	barrier	CYCLONE SERIES-PWR V1.0	
410	NB04742	cardboard	CYCLONE SERIES-PWR V1.0	
411	NB04743	cardboard	CYCLONE SERIES-PWR up V1.0	
412	NB04744	cardboard	CYCLONE SERIES-PWR V1.0	
413	HJ00006	dessicant	30g	
414	NE05004	label	ALTO	
415	NH00334	cone paper	0.040*1m	
416	NE16270	label-RS	CYCLONE 240 V1.0	
417	NI00014	membrane	0.035*1M	
418	NH00012	bond paper	0.04*1M	
419	NF00061	assurance card	ALTO	
420	NA00279	clip-chain bag	0.04t*100*150mm V1.0	
421	AD00012	twin adhesive	90*120mm V1.0	
422	HA00861	power cord Europe 3P	LT-312+LT-501	
423	HK06780	power	CYCLONE .PS 160.240.320 ALTO	
424	MB04780	rear board	CYCLONE , 160-PWR 220-240V V1.0	
425	MB04760	rear board	CYCLONE-PWR	
426	AE00055	solvent	solvent	
427	AE00060	paint	4534	
428	MB04759	rear board	CYCLONE-PWR 1.2*208.5*190*64.8 V1.0	
429	ME00036	iron pillar	hexagon6.35*M3*9.2	
430	MD00882	iron net	CYCLONE-PWR 0.5t*84.5*58.8 V1.0	
431	MD00343	iron net	1M*134mm	
432	MJ00059	single light board	1.2*2135*1220 24.54kg	
433	MA05975	panel	CYCLONE.160/240/320-PWR ALTO V1.0	
434	MA05957	panel	CYCLONE-PWR	
435	AE00060	paint	4534	
436	AE00055	solvent	solvent	
437	MA05956	panel	CYCLONE-PWR 1.2*205.5*63.6*12 V1.0	
438	ME00223	iron pillar-RS	TYPHOON M3*5.2*0.5PH V1.0	

No.	Part No.	Description	Specification	Remark
439	MJ00059	single light board	1.2*2135*1220 24.54kg	
440	MD00257	protective cover	60*60mm (KGO60.04A)	
441	HC00331	AC socket	RF-2004	
442	HD00028	glass tube fuse	2A 250V $\phi$ 5.2*20mm CSA/S/UL/VDE	
443	HI00019	power switch	4P MSR-8	
444	HA02812	wire	5P-5P 300mm ULI007 24LWG white black	
445	HA04557	wire-RS	60mm UL1015 22AWG white	
446	HA04556	wire-RS	100mm UL1015 22AWG brown	
447	HA04558	wire-RS	130mm UL1015 20AWG blue	
448	HA04559	wire-RS	130mm UL1015 20AWG yellow	
449	HA03238	wire	160m/m UL1015 18AWG	
450	HA04503	wire-RS	5P-6P 95/220mm UL1007 18AWG	
451	HE00104	fan-RS	DC24V/0.13A 60*60*25mm	
452	HA03906	power wire	SCMI-6P+6*6C(PVC) 1.5M+SCM1-6P	
453	MG00041	screw	M3*6	
454	MG00025	screw	M3*6	
455	MG00607	screw	M5*10	
456	HC00683	connector	CB-6MC 6P male adoptor	
457	NI03710	rubber stopper	50.9*6.8 black V1.1	
458	NI03205	protective cover	0.5*44*15 V1.0	
459	NA00137	clip-chain bag	5*7	
460	ND00542	filter sponge	140*60*10t black	
461	NA00123	PE bag	0.04t*580*300mm	
462	NI00218	cable tie	ALT-102SB	
463	NI00501	self-adhere foot cushion	12.7*9*3t(SF-004)	
464	NI00246	sleeve	$\phi$ 3*20mm	
465	NI00243	sleeve	$\phi$ 3*1000mm	
466	HK06781	PC board	CYCLONE PWR-DIP	
467	CF00009	metal-film capacitor MPF	0.0047uF/400V 10%	C109
468	CG00056	X2 capacitor	0.47uF/275VAC	C101,C102
469	CG00039	X2 capacitor MPX	0.47Uf/275V VDE/UL/CSA L=8mm	C1
470	RA01454	chassis bracket 5W	0.15 $\Omega$ $\pm$ 5% SQP	R110
471	RA00013	metal-oxide-film resistor 1W	150 $\Omega$ P type	R2
472	RA00813	metal-oxide-film resistor 1W	220 $\Omega$ P type	R3,R4
473	CB00073	electrolytic capacitor	1000uF/35V $\phi$ 13*20mm	C308,C311
474	CB00218	electrolytic capacitor	1000uF/63V $\phi$ 16*25mm	C3,C304
475	RH00005	thermistor	100 $\Omega$ (PTH9M04BH471TS2F333)	PR1
476	CB00050	electrolytic capacitor	100uF/50V $\phi$ 8*11mm	C315,C316
477	CB00295	electrolytic capacitor	820uF/180V $\phi$ 25*35	C107,C108
478	RA00319	fixed resistor 1/4W	1.0 $\Omega$ M type	R302
479	SA00107	zener diode	1W 15V 1N4744	D309
480	SA00143	zener diode	1W 20V 1N4747A	D311,D314

No.	Part No.	Description	Specification	Remark
481	SA00163	zener diode	1W 24V	D315,D316
482	RA01227	metal-oxide-film resistor 1W	220KΩ P type	R5
483	RA00049	metal-oxide-film resistor 2W	22KΩ P type	R102,R103
484	SB00023	power transistor	2SA1943-O	Q4
485	SB00021	power transistor	2SC5200	Q3,Q5
486	CN00160	inductance	2.7mH φ0.7*28.5T	L101,L102
487	CB00084	electrolytic capacitor	3300uF/50V φ22*35mm	C305,C306
488	CB00139	electrolytic capacitor	4.7uF/63V NP φ6.3*11mm	C117
489	CB00276	electrolytic capacitor	220uF/25V φ6.3*11mm 5mm	C312,C314
490	CF00139	metal-film capacitor MEF	0.047UF/400V 5%	C118,C119
491	CB00039	electrolytic capacitor	47uF/25V φ5*11mm	C310,C313
492	CB00217	electrolytic capacitor	470uF/50V φ10*20mm	C2
493	CB00203	electrolytic capacitor	47uF/35V φ5*11mm	C113,C114
494	SD00066	integrated circuit	L7812CV(TO-220)(ST)	U2
495	SA00130	diode	1A/600V/35ns BYV26C	D104,D105
496	SA00004	high speed diode	2A/100V BYV27-200,113	D103,D307,D305,D306,D313
497	SB00147	transistor	2SC4382(TO-220)/(SANKEN)	Q6,Q7,Q1
498	CB00033	electrolytic capacitor	22uF/25V φ6*7mm	C122
499	HC00076	connector(male)	2P 2.5mm 180°	J2
500	HC00079	connector(male)	5P 2.5mm 180°	J3
501	HC00177	connector(male)	5P 3.96mm 180°	J1
502	TC00333	transformer-RS	ETD39	TB1
503	SA00134	diode	6A/200V/35ns FE6D	D308,D310,D312
504	HC00324	connect terminal	6.5m/m (PC250)	115V,230V,AC1,AC2,COM,GND,P1,P2
505	SD00122	integrated circuit	IR 2153	U3
506	SB00184	transistor	2SK2611(T)(TO3P)/(TOSHIBA)	Q405B,Q406B
507	SA00007	bridge rectifier	8A KBU-806 comb type	D101
508	TC00334	transformer-RS	PT-XPK35P2001502A3 240V	TP1
509	SB00130	transistor	MPSA42/(PHILIPS)	Q401,Q403
510	SA00099	rectifier diode	MUR1520/STPR1520D	D301,D302,D303,D304
511	RH00012	thermistor	10Ω S364(B57364-S100-M)	R101
512	MI03520	heat sink	CYCLONE-PWR 70*34.5*16.5 V1.0	
513	MI03116	heat-sink	5T*34.5*16.5*1M+5(1M/0.9KG) V 1.0	
514	MI03519	heat sink	CYCLONE-PWR 70*34.5*16.5 V1.0	
515	MI03116	heat-sink	5T*34.5*16.5*1M+5(1M/0.9KG) V 1.0	
516	MI03518	heat sink	CYCLONE-PWR 150*48*17 V1.0	
517	MI03517	heat sink	CYCLONE-PWR 1000*50*17 V1.0	
518	MG00166	screw	M3*10	
519	MG00163	screw	M3*8	
520	MF00037	washer	φ3.2*φ5.5*1t	
521	NC00127	mica	22*28	
522	NC00005	mica	SB-9500DSP 18*13*0.1t V1.0	

No.	Part No.	Description	Specification	Remark
523	NI00863	plastic washer	TO220B	
524	AC00179	tin without lead	M705E Sn 3Ag-0.5Cu	
525	HK06783	PC board	CYCLONE PWR-SMD	
526	CI00100	SMD ceramic capacitor 0805	0.1uF/50V X7R ±10%	C5,C11,C12,C13,C112,C115,C116,C121,C123
527	RD00032	SMD fixed resistor 1/8W	10KΩ ±5% 0805	R112,R118
528	RD00049	SMD fixed resistor 1/8W	100KΩ ±5% 0805	R121
529	RD00036	SMD fixed resistor 1/8W	18KΩ ±5% 0805	R122
530	SE00011	SMD rectifier diode	RLS4148 0.5A (LL-34)	D106,D107,D108,D109
531	RD00523	SMD fixed resistor 1/10W	22Ω ±5% 0805	R105,R108
532	CI00146	SMD ceramic capacitor 0805	0.22uF/50V X7R ±10%	C124
533	RD00038	SMD fixed resistor 1/8W	22KΩ ±5% 0805	R106,R109,R114,R116,R117,R119,R123
534	RD00053	SMD fixed resistor 1/8W	330KΩ ±5% 0805	R115
535	RD00235	SMD precise resistor 1/8W	4.70KΩ ±1% 0805	R1,R113
536	RD00004	SMD fixed resistor 1/8W	47Ω ±5% 0805	R104
537	RD00054	SMD fixed resistor 1/8W	470KΩ ±5% 0805	R120
538	RD00507	SMD precise resistor 1/8W	4.30Ω ±1% 0805	R107
539	AE00449	solder material without lead	9308/Sn Ag Cu	
540	RD00100	SMD fixed resistor 1/10W	9.1KΩ ±5% 0603	R111
541	HB01979	PCB-RS	PSM-300W VER060421	
542	MG00041	screw	M3*6	
543	CG00030	X1/Y2 capacitor	2200PF/400V Y5V ±20% Y2CAP	C4,C6,C7,C8,C103,C104
544	CG00020	X1/Y2 capacitor	4700PF Y5V X1-400V Y2-250V	C105,C106
545	SB00129	transistor	MPSA92(TO92)/(PHI)	Q402,Q404
546	SB00148	transistor	2SA1668(TO-220)/(SANKEN)	Q2
547	SB00073	transistor	2N5550/2N5551	Q407,Q411
548	SB00074	transistor	2N5401	Q408,Q409,Q410
549	CA00102	ceramic capacitor	0.001uF Z5V	C120
550	CB00040	electrolytic capacitor	47uF/25V φ5*11mm	
551	CB00274	electrolytic capacitor	470uF/35V φ10*20mm 5mm	C301,C302,C303,C111
552	CB00253	electrolytic capacitor	1000uF/16V φ10*16mm 5mm	C307,C309
553	HA01920	jump	6mm	L1,L2,L3,L4
554	HA02249	wire	φ0.6 Tin plated	
555	HK06784	PC board	CYCLONE PWR-LED	
556	HB02012	PCB-RS	PSM-300W-LED VER060214	
557	RA00237	fixed resistor 1/4W	7.5KΩ M type	R4
558	RA00362	fixed resistor 1/8W	2.0KΩ M type	R3
559	RA00369	fixed resistor 1/8W	3.0KΩ M type	R1,R2
560	HC00271	connector(male)	5P 2.54mm 90°	CN1
561	SA00025	L.E.D	φ5 circle green LX3310/F423	LD1,LD2,LD3,LD4
562	AC00179	tin without lead	M705E Sn 3Ag-0.5Cu	
563	MH02001	magnet	VDT17.5X9.5X12.7	
564	HI00120	slide switch	L21-22A	



No.	Part No.	Description	Specification	Remark
565	MC00837	top cover-RS	CYCLONE-PWR V 1.0	
566	AE00055	solvent	solvent	
567	AE00060	paint	4534	
568	MC00836	top cover	CYCLONE-PWR 1.2*190*208.5 V1.0	
569	MJ00059	single light board	1.2*2135*1220 24.54kg	
570	MG00027	screw	M3*12	

## CYCLONE 320

No.	Part No.	Description	Specification	Remark
1	MA05519	panel	CYCLONE240 ALTO left V1.3	
2	MA05505	panel	CYCLONE240 left V1.2	
3	MA05504	panel	CYCLONE240 1.0t*189.75*535.2 left V1.2	
4	MJ00058	single light board	1*2135*1220 20.45kg	
5	ME00134	iron pillar	M3*2.8*0.5PH	
6	AE00055	solvent	solvent	
7	AE00235	paint	5249	
8	MA05518	panel	CYCLONE240 ALTO V1.3	
9	MA05507	panel	CYCLONE240 V1.2	
10	MA05506	panel	CYCLONE240 1.0t*184.5*535.2 V1.2	
11	MJ00058	single light board	1*2135*1220 20.45kg	
12	ME00134	iron pillar	M3*2.8*0.5PH	
13	AE00055	solvent	solvent	
14	AE00235	paint	5249	
15	MA05522	panel	CYCLONE320 ALTO V1.3	
16	MA05507	panel	CYCLONE240 V1.2	
17	MA05506	panel	CYCLONE240 1.0t*184.5*535.2 V1.2	
18	MJ00058	single light board	1*2135*1220 20.45kg	
19	ME00134	iron pillar	M3*2.8*0.5PH	
20	AE00055	solvent	solvent	
21	AE00235	paint	5249	
22	MA05521	panel	CYCLONE320 ALTO right V1.5	
23	MA05503	panel	CYCLONE240 right	
24	MA05502	panel	CYCLONE240 1.0*244*535.2 right V1.2	
25	MJ00058	single light board	1*2135*1220 20.45kg	
26	AE00055	solvent	solvent	
27	AE00235	paint	5249	
28	MB04357	chassis	CYCLONE240 right V1.0	
29	MB04344	rear board	CYCLONE240 right V1.1	
30	MB04343	rear board-RS	CYCLONE240 1.0t*152.6*188.25 V1.2	
31	MJ00058	single light board	1*2135*1220 20.45kg	
32	ME00134	iron pillar	M3*2.8*0.5PH	
33	AE00055	solvent	solvent	
34	AE00235	paint	5249	
35	MB04358	chassis	CYCLONE320 V1.3	
36	MB04329	rear board	CYCLONE320	
37	MB04328	rear board-RS	CYCLONE320 1.0t*152.6*184.5*12 V1.2	
38	MJ00058	single light board	1*2135*1220 20.45kg	
39	ME00134	iron pillar	M3*2.8*0.5PH	
40	AE00055	solvent	solvent	
41	AE00235	paint	5249	
42	MB04359	chassis	CYCLONE320 left V1.3	

No.	Part No.	Description	Specification	Remark
43	MB04346	rear board	CYCLONE240	
44	MB04345	rear board	CYCLONE240 1.0t*152.6*429.75 V1.1	
45	MJ00058	single light board	1*2135*1220 20.45kg	
46	AE00235	paint	5249	
47	AE00055	solvent	solvent	
48	MB04325	rear board	CYCLONE320 left V1.2	
49	AE00055	solvent	solvent	
50	AE00235	paint	5249	
51	MB04324	rear board	CYCLONE320 1.0t*533.26*803 left V1.3	
52	MJ00058	single light board	1*2135*1220 20.45kg	
53	MB04327	rear board	CYCLONE320 V1.2	
54	AE00055	solvent	solvent	
55	MB04326	rear board	CYCLONE320 1.0t*89.1*803 V1.2	
56	MJ00058	single light board	1*2135*1220 20.45kg	
57	MI03555	holder	CYCLONE320 21.15*26.3*803 V 1.0	
58	AE00177	paint	4866	
59	MI02966	bracket	CYCLONE320 21.15*26.3*803 V1.2	
60	MI03574	bracket	CYCLONE320 21.15*26.3*803 V 1.0	
61	MI03556	holder	CYCLONE320 25.52*51.45*803 V 1.0	
62	AE00177	paint	4866	
63	MI02965	bracket	CYCLONE320 25.52*51.45*803 V1.1	
64	MI03575	bracket	CYCLONE320 25.52*51.45*803 V 1.0	
65	MI03557	handle	CYCLONE320 35*45.25*803 V 1.0	
66	AE00177	paint	4866	
67	MI02964	handle	CYCLONE320 35*45.25*803 V1.1	
68	MI03576	handle	CYCLONE320 35*45.25*803 V 1.0	
69	MI02967	fixed bracket	CYCLONE320 27.76*41.37*803 V1.2	
70	MJ00063	iron board	1.2*2135*1220 24.54kg	
71	MI02988	fixed bracket	CYCLONE320 1.2t*22*35.88*803 V1.2	
72	MJ00063	iron board	1.2*2135*1220 24.54kg	
73	MJ01288	side cover board	CYCLONE160 right V1.0	
74	MJ01287	side cover board	CYCLONE160 3*131.5*737.1 right V1.0	
75	MJ00057	AL plate-RS	3.0t*2000*1000mm 16.32kg	
76	AE00177	paint	4866	
77	MJ01290	side cover board	CYCLONE160 left V1.0	
78	MJ01289	side cover board	CYCLONE160 3*131.5*737.1 left V1.0	
79	MJ00057	AL plate-RS	3.0t*2000*1000mm 16.32kg	
80	AE00177	paint	4866	
81	MI02951	fixed bracket	CYCLONE160 7.5*31.6*420 V1.0	
82	MJ00063	iron board	1.2*2135*1220 24.54kg	
83	HK06605	PC board	P-CYCLONE-MONO PU-DIP	
84	HC00504	connector(male)	10P 2.54mm 180°	J1,J2,J3,J4,J5,J6,J7,J8

No.	Part No.	Description	Specification	Remark
85	HC00371	MIC jack	SCJ-0658-1-Y	J1 3,J2 3,J3 3,J4 3,J5 3,J6 3,J7 3,J8 3
86	HC00125	MIC jack-RS	JY-6351G-02-250	J1 2,J2 2,J3 2,J4 2,J5 2,J6 2,J7 2,J8 2
87	HC00126	balance MIC jack-RS	JY-5042-030G female plug 180°	J1 1,J2 1,J3 1,J4 1,J5 1,J6 1,J7 1,J8 1
88	AC00179	tin without lead	M705E Sn 3Ag-0.5Cu	
89	HK06607	PC board	P-CYCLONE-MONO PU-SMD	
90	RD00088	SMD fixed resistor 1/10W	2.2KΩ ±5% 0603	R1 2,R2 2,R3 2,R4 2,R5 2,R6 2,R7 2,R8 2
91	RD00030	SMD fixed resistor 1/8W	6.8KΩ ±5% 0805	R1 1,R1 3,R2 1,R2 3,R3 1,R3 3,R4 1,R4 3, R5 1,R5 3,R6 1,R6 3,R7 1,R7 3,R8 1,R8 3
92	RD00214	SMD precise resistor 1/10W	10.0KΩ ±1% 0603	R1 6,R1 7,R2 6,R2 7,R3 6,R3 7,R4 6, R4 7,R5 6,R5 7,R6 6,R6 7,R7 6,R7 7, R8 6,R8 7
93	RD00224	SMD precise resistor 1/10W	100KΩ ±1% 0603	R1 4,R1 5,R2 4,R2 5,R3 4,R3 5,R4 4,R4 5, R5 4,R5 5,R6 4,R6 5,R7 4,R7 5,R8 4,R8 5
94	AE00449	solder material without lead	9308/Sn Ag Cu	
95	HK06606	PC board	P-CYCLONE-MONO PU-AI	
96	CB00194	electrolytic capacitor	47uF/25V φ5*11mm	C1 3,C1 4,C1 5,C1 6,C2 3,C2 4,C2 5, C2 6,C3 3,C3 4,C3 5,C3 6,C4 3,C4 4, C4 5,C4 6,C5 3,C5 4,C5 5,C5 6,C6 3, C6 4,C6 5,C6 6,C7 3,C7 4,C7 5,C7 6, C8 3,C8 4,C8 5,C8 6
97	CB00249	electrolytic capacitor	47uF/50V φ6.3*11mm 2.5mm	C1 1,C1 2,C2 1,C2 2,C3 1,C3 2,C4 1, C4 2,C5 1,C5 2,C6 1,C6 2,C7 1,C7 2, C8 1,C8 2
98	AC00179	tin without lead	M705E Sn 3Ag-0.5Cu	
99	HB01988	PCB-RS	MONO PU VER051021	
100	HK06707	PC board	P-CYCLONE-MONO BOARD-DIP	
101	RC00483	potentiometer(dual unit)	C50KΩ RD09K12CZ028-50K15C*2(SAS1);30F	R1 50,R1 53,R2 50,R2 53,R3 50,R3 53, R4 50,R4 53,R5 50,R5 53,R6 50,R6 53, R7 50,R7 53,R8 50,R8 53
102	RC00530	potentiometer	B20KΩ RD09K12CZ031-20K3Bx2(SAS1);30F-C	R1 61,R1 62,R1 63,R1 64,R1 65,R1 66,R 2 61,R2 62,R2 63,R2 64,R2 65,R2 66,R3 61,R3 62,R3 63,R3 64,R3 65,R3 66,R4 61,R4 62,R4 63,R4 64,R4 65,R4 66,R5 6 1,R5 62,R5 63,R5 64,R5 65,R5 66,R6 61, R6 62,R6 63,R6 64,R6 65,R6 66,R7 61,R 7 62,R7 63,R7 64,R7 65,R7 66,R8 61,R8 62,R8 63,R8 64,R8 65,R8 66
103	RC00393	slide potentiometer	A10KΩ RFA0S11G6006-10KA(AA)	R1 2,R2 2,R3 2,R4 2,R5 2,R6 2,R 7 2,R8 2
104	RC00429	potentiometer	B10KΩ RK09K113Z111-10K2B(SAS1);30F-C	R1 1,R2 1,R3 1,R4 1,R5 1,R6 1,R 7 1,R8 1
105	RC00358	potentiometer	B50KΩ-RD09F113A223-50K2BT(SAS1);30F-C	R1 47,R1 49,R1 52,R1 55,R2 47,R2 49,R2 52,R2 55,R3 47,R3 49,R3 52,R3 55,R4 47,R 4 49,R4 52,R4 55,R5 47,R5 49,R5 52,R5 5 5,R6 47,R6 49,R6 52,R6 55,R7 47,R7 49,R7 52,R7 55,R8 47,R8 49,R8 52,R8 55
106	RC00356	potentiometer	Z10KΩ RD09F1130042-10KZ(SAS1);30F	R1 56,R2 56,R3 56,R4 56,R5 56,R 6 56,R7 56,R8 56
107	SB00062	transistor	BC337-25	Q1 1,Q3 1,Q5 1,Q7 1,Q8,Q18,Q19,Q20
108	SA00052	L.E.D	φ3 round(green)long foot 26	D1 2,D2 2,D3 2,D4 2,D5 2,D6 2,D7 2,D8 2
109	SA00053	L.E.D	φ3 round(red)long foot 26mm	D1 1,D1 5,D1 6,D1 7,D1 8,D2 1,D2 5, D2 6,D2 7,D2 8,D3 1,D3 5,D3 6,D3 7, D3 8,D4 1,D4 5,D4 6,D4 7,D4 8,D5 1, D5 5,D5 6,D5 7,D5 8,D6 1,D6 5,D6 6, D6 7,D6 8,D7 1,D7 5,D7 6,D7 7,D7 8, D8 1,D8 5,D8 6,D8 7,D8 8
110	SA00071	L.E.D	φ3 green LVG2340/A	D1 4,D2 4,D3 4,D4 4,D5 4,D6 4,D7 4,D8 4

No.	Part No.	Description	Specification	Remark
111	SA00072	L.E.D	φ3 red LI2340/A	D1 3,D2 3,D3 3,D4 3,D5 3,D6 3,D7 3,D8 3
112	NI01773	LED spacer support	LEDS-13	
113	NI02384	LED spacer support	LEDS-4 4mm	
114	HI00237	push-button switch-RS	2stage 12P PS-13422R(SELF-LOCK)	S1 1,S1 5,S2 1,S2 5,S3 1,S3 5,S4 1,S4 5,S5 1,S5 5,S6 1,S6 5,S7 1,S7 5,S8 1,S8 5
115	HI00236	push-button switch-RS	2-stage 6P PS-9226A(SELF-LOCK)	S1 2,S1 3,S1 4,S1 6,S1 7,S1 8,S2 2,S2 3,S2 4,S2 6,S2 7,S2 8,S3 2,S3 3,S3 4,S3 6,S3 7,S3 8,S4 2,S4 3,S4 4,S4 6,S4 7,S4 8,S5 2,S5 3,S5 4,S5 6,S5 7,S5 8,S6 2,S6 3,S6 4,S6 6,S6 7,S6 8,S7 2,S7 3,S7 4,S7 6,S7 7,S7 8,S8 2,S8 3,S8 4,S8 6,S8 7,S8 8
116	HC00626	connector	2.5 180° 1*15P B24-1*15BG1(A)H5	H1 1,H2 1,H3 1,H4 1,H5 1,H6 1,H7 1,H8 1
117	HC00339	connect terminal	6.5m/m (PCF250)	J13
118	HC00883	connector(male)-RS	2P 2.0mm 180°(A2004WV-2*2P)	J8
119	HC00884	connector(male)-RS	5P 2.0mm 180°(A2004WV-2*5P)	J10
120	HC00885	connector(male)-RS	7P 2.0mm 180°(A2004WV-2*7P)	J6
121	HC00887	connector(male)-RS	10P 2.0mm 180°(A2004WV-2*10P)	J9
122	HC00888	connector(male)-RS	14P 2.0mm 180°(A2004WV-2*14P)	J5
123	HA04570	wire-RS	10P-10P 120mm UL2651 28AWG PH1.27mm	J1 1,J2 1,J3 1,J4 1,J5 1,J6 1,J7 1,J8 1
124	HK02084	PC board	P-MONO PRE 60dB REV03-DIP	
125	HC00717	connector	2.54 180° 15P 16.5 2.5/5/9mm	CON1
126	HK02085	PC board	P-MONO PRE 60dB REV03-SMD	
127	RD00116	SMD fixed resistor 1/10W	100KΩ ±5% 0603	R33
128	CI00075	SMD ceramic capacitor 0603	0.1uF/50V Y5V +80,-20%	C6,C7,C23,C24
129	RD00101	SMD fixed resistor 1/10W	10KΩ ±5% 0603	R24,R25,R27,R28
130	RD00214	SMD precise resistor 1/10W	10.0KΩ ±1% 0603	R22,R23
131	CI00071	SMD ceramic capacitor 0603	0.01uF/50V X7R ±10%	C10,C11
132	RD00201	SMD precise resistor 1/10W	1.50KΩ ±1% 0603	R31,R32
133	CI00065	SMD ceramic capacitor 0603	0.001uF/50V X7R ±10%	C16,C17
134	RD00306	SMD fixed resistor 1/10W	20KΩ ±5% 0603	R4,R5,R7
135	RD00204	SMD precise resistor 1/10W	2.49KΩ ±1% 0603	R9,R10,R11,R12,R13,R14,R15
136	CI00062	SMD ceramic capacitor 0603	330PF/50V NPO ±5 %	C9
137	SF00053	transistor	MMBT3906(SOT-23)/(PHI)	TR4,TR1,TR2,TR3
138	RD00078	SMD fixed resistor 1/10W	470Ω ±5% 0603	R16,R17
139	RD00355	SMD fixed resistor 1/10W	4.7Ω ±5% 0603	R3
140	RD00210	SMD precise resistor 1/10W	5.11KΩ ±1% 0603	R18,R19,R20,R21
141	RD00097	SMD fixed resistor 1/10W	6.8KΩ ±5% 0603	R29,R30
142	SE00028	SMD rectifier diode	BAS316,115	D1
143	HB01400	PCB	MONO PRE 60dB ALTO REV04	
144	AE00449	solder material without lead	9308/Sn Ag Cu	
145	SE00011	SMD rectifier diode	RLS4148 0.5A (LL-34)	D2,D3,D4,D5
146	RD00065	SMD fixed resistor 1/10W	47Ω ±5% 0603	R1,R2

No.	Part No.	Description	Specification	Remark
147	CI00266	SMD ceramic capacitor-RS 0603	22PF/50V NPO $\pm 5\%$	C8,C12,C13,C14,C15
148	SG00122	SMD integrated circuit	NJM4580M-TE3	U1,U2,U3
149	SB00175	transistor	2SA970-BL(TE2;T)	TR5,TR6
150	AC00179	tin without lead	M705E Sn 3Ag-0.5Cu	
151	ND00083	EV foam	10*25*5	
152	MI02952	fixed bracket	CYCLONE160 7*7.5*164 L type V1.0	
153	MJ00061	iron board	1*2135*1220 20.45kg	
154	MG00199	screw	M3*4	
155	AC00179	tin without lead	M705E Sn 3Ag-0.5Cu	
156	HK06700	PC board	P-CYCLONE-MONO BOARD-SMD	
157	RD00006	SMD fixed resistor 1/8W	100 $\Omega$ $\pm 5\%$ 0805	R1 69,R3 69,R5 69,R7 69,R43,R64 0,R647,R648
158	RD00068	SMD fixed resistor 1/10W	100 $\Omega$ $\pm 5\%$ 0603	R10,R633,R634,R635,R636,R637,R6 38,R639
159	RD00079	SMD fixed resistor 1/10W	560 $\Omega$ $\pm 5\%$ 0603	R1 48,R1 75,R2 48,R2 75,R3 48,R3 75 ,R4 48,R4 75,R5 48,R5 75,R6 48,R6 7 5,R7 48,R7 75,R8 48,R8 75
160	RD00083	SMD fixed resistor 1/10W	1.0K $\Omega$ $\pm 5\%$ 0603	R454,R455,R456,R457,R458,R459,R460, R461,R462,R463,R464,R465,R466,R467, R468,R469,R470,R471,R472,R473,R474, R475,R476,R477,R478,R479,R480,R481, R482,R483,R484,R485
161	RD00089	SMD fixed resistor 1/10W	2.7K $\Omega$ $\pm 5\%$ 0603	R391,R392,R393,R394,R395,R396,R397, R398,R399,R400,R401,R402,R403,R404, R405,R406,R407,R408,R409,R410,R411, R412,R413,R414,R415,R416,R417,R418, R419,R420,R421,R422
162	RD00093	SMD fixed resistor 1/10W	4.7K $\Omega$ $\pm 5\%$ 0603	R1 10,R2 10,R3 10,R4 10,R5 10,R6 10 ,R7 10,R8 10
163	RD00094	SMD fixed resistor 1/10W	5.1K $\Omega$ $\pm 5\%$ 0603	R1 12,R1 7,R1 8,R2 12,R2 7,R2 8,
164	RD00095	SMD fixed resistor 1/10W	5.6K $\Omega$ $\pm 5\%$ 0603	R29,R486,R487,R488,R489,R490,R4
165	RD00099	SMD fixed resistor 1/10W	8.2K $\Omega$ $\pm 5\%$ 0603	R16,R328,R329,R330,R331,R332,R333,R33 4,R335,R336,R337,R338,R339,R340,R341, R342,R343,R344,R345,R346,R347,R348,R3 49,R350,R351,R352,R353,R354,R355,R356, R357,R358,R359,R360,R361,R362,R363,R3 64,R365,R366,R367,R368,R369,R370,R371, R372,R373,R374,R375,R376,R377,R378,R3 79,R380,R381,R382,R383,R384,R385,R386, R387,R388,R389,R390
166	RD00102	SMD fixed resistor 1/10W	12K $\Omega$ $\pm 5\%$ 0603	R1 6,R2 6,R3 6,R4 6,R5 6,R6 6,R
167	RD00103	SMD fixed resistor 1/10W	15K $\Omega$ $\pm 5\%$ 0603	R21,R564,R565,R566,R567,R568,R5 69,R645
168	RD00306	SMD fixed resistor 1/10W	20K $\Omega$ $\pm 5\%$ 0603	R1 23,R3 23,R5 23,R7 23,R44,R26 0,R261,R641
169	RD00108	SMD fixed resistor 1/10W	33K $\Omega$ $\pm 5\%$ 0603	R1 40,R1 51,R2 40,R2 51,R3 40,R3 51,R 4 40,R4 51,R5 40,R5 51,R6 40,R6 51,R7 40,R7 51,R8 40,R8 51
170	RD00115	SMD fixed resistor 1/10W	82K $\Omega$ $\pm 5\%$ 0603	R548,R549,R550,R551,R552,R553,R554, R555,R556,R557,R558,R559,R560,R561, R562,R563
171	CI00096	SMD ceramic capacitor 0603	560PF/50V NPO $\pm 5\%$	C217,C218,C219,C220,C221,C222,C 223,C224
172	CI00069	SMD ceramic capacitor 0603	0.0033uF/50V X7R $\pm 10\%$	C201,C202,C203,C204,C205,C206,C207, C208,C209,C210,C211,C212,C213,C214, C215,C216

No.	Part No.	Description	Specification	Remark
173	CI00051	SMD ceramic capacitor 0603	22PF/50V C0G±5%(C1608C0G1H220JT)/TDK	C1 21,C1 22,C1 23,C2 21,C2 22,C2 23,C3 21,C3 22,C3 23,C4 21,C4 22,C4 23,C5 21,C5 22,C5 23,C6 21,C6 22,C6 23,C7 21,C7 22,C7 23,C8 18,C8 22,C8 23,C47,C48,C49,C50,C55,C56,C57,C58,C63,C64,C65,C66,C71,C72,C73,C74,C79,C80,C81,C82,C87,C88,C89,C90,C95,C96,C97,C98,C103,C104,C105,C106
174	RD00101	SMD fixed resistor 1/10W	10KΩ ±5% 0603	R4 34,R4 35,R4 36,R4 37,R4 4,R4 59,R4 60,R4 70,R4 71,R4 72,R4 73,R5 15,R5 16,R5 17,R5 18,R5 19,R5 20,R5 24,R5 25,R5 26,R5 27,R5 28,R5 29,R5 3,R5 32,R5 33,R5 34,R5 35,R5 36,R5 37,R5 4,R5 59,R5 60,R5 70,R5 71,R5 72,R5 73,R6 15,R6 16,R6 17,R6 18,R6 19,R6 20,R6 24,R6 25,R6 26,R6 27,R6 28,R6 29,R6 3,R6 32,R6 33,R6 34,R6 35,R6 36,R6 37,R6 4,R6 59,R6 60,R6 70,R6 71,R6 72,R6 73,R7,R7 15,R7 16,R7 17,R7 18,R7 19,R7 20,R7 24,R7 25,R7 26,R7 27,R7 28,R7 29,R7 3,R7 32,R7 33,R7 34,R7 35,R7 36,R7 37,R7 4,R7 59,R7 60,R7 70,R7 71,R7 72,R7 73,R8,R8 15,R8 16,R8 17,R8 18,R8 19,R8 20,R8 24,R8 25,R8 26,R8 27,R8 28,R8 29,R8 3,R8 32,R8 33,R8 34,R8 35,R8 36,R8 37,R8 4,R8 59,R8 60,R8 70,R8 71,R8 72,R8 73,R9,R170,R177,R181,R182,R183,R187,R191,R192,R193,R197,R201,R202,R203,R207,R211,R212,R213,R217,R221,R222,R223,R227,R231,R232,R233,R237,R241,R242,R243
175	RD00116	SMD fixed resistor 1/10W	100KΩ ±5% 0603	R1,R1 13,R1 14,R1 22,R1 57,R1 58,R1 74,R1 76,R1 77,R1 78,R2 13,R2 14,R2 22,R2 57,R2 58,R2 74,R2 76,R2 77,R2 78,R3 13,R3 14,R3 22,R3 57,R3 58,R3 74,R3 76,R3 77,R3 78,R4 13,R4 14,R4 22,R4 57,R4 58,R4 74,R4 76,R4 77,R4 78,R5,R5 13,R5 14,R5 22,R5 57,R5 58,R5 74,R5 76,R5 77,R5 78,R6,R6 13,R6 14,R6 22,R6 57,R6 58,R6 74,R6 76,R6 77,R6 78,R7 13,R7 14,R7 22,R7 57,R7 58,R7 74,R7 76,R7 77,R7 78,R8 13,R8 14,R8 22,R8 57,R8 58,R8 74,R8 76,R8 77,R8 78,R279,R280,R283,R284,R286,R287,R288,R290,R291,R293,R294,R295,R297,R298,R300,R301,R302,R304,R305,R307,R308,R309,R311,R312,R313,R314,R315,R317,R318,R320,R321,R322,R323,R324,R325,R326,R327
176	RD00118	SMD fixed resistor 1/10W	150KΩ ±5% 0603	R28,R423,R424,R425,R426,R427,R428,R429,R430,R431,R432,R433,R434,R435,R436,R437
177	CI00093	SMD ceramic capacitor 0603	0.015uF/50V X7R ±10%	C187,C188,C189,C190,C191,C192,C193,C194,C195,C196,C197,C198,C199,C200
178	CI00072	SMD ceramic capacitor 0603	0.022uF/50V X7R ±10%	C225,C226,C227,C228,C229,C230,C231,C232
179	CI00075	SMD ceramic capacitor 0603	0.1uF/50V Y5V +80,-20%	C1 13,C1 14,C1 15,C1 16,C2 13,C2 14,C2 15,C2 16,C3,C3 13,C3 14,C3 15,C3 16,C4,C4 13,C4 14,C4 15,C4 16,C5 13,C5 14,C5 15,C5 16,C6 13,C6 14,C6 15,C6 16,C7 13,C7 14,C7 15,C7 16,C8 13,C8 14,C8 15,C8 16,C117,C118,C123,C124,C129,C130,C135,C136,C139,C140,C141,C142,C143,C144,C147,C148,C153,C154,C159,C160,C165,C166,C169,C170,C171,C172,C173,C174,C175,C176,C233,C234,C235,C236,C237,C238,C239,C240,C241,C242,C243,C244,C245,C246,C247,C248,C249,C250,C251,C252,C253,C254,C255,C256,C257,C258,C259,C260,C261,C262,C263,C264,C265,C266,C267,C268,C269,C270,C271,C272,C273,C274,C275,C276,C277,C278,C279,C280
180	SE00011	SMD rectifier diode	RLS4148 0.5A (LL-34)	D1 10,D1 9,D3 10,D3 9,D5 10,D5 9,D7,D7 10,D7 9,D8,D27,D28,D29,D30,D31,D32
181	SF00053	transistor	MMBT3906(SOT-23)/(PHI)	Q1 2,Q1 3,Q2 2,Q2 3,Q3 2,Q3 3,Q4 2,Q4 3,Q5 2,Q5 3,Q6 2,Q6 3,Q7 2,Q7 3,Q8 2,Q8 3

No.	Part No.	Description	Specification	Remark
182	SG00122	SMD integrated circuit	NJM4580M-TE3	U1 1,U1 2,U2 1,U2 2,U3 1,U3 2,U4,U4 1,U4 2,U5,U5 1,U5 2,U6,U6 1,U6 2,U7,U7 1,U7 2,U8,U8 1,U8 2,U9,U10,U11,U15,U16,U17,U18,U22,U23,U24,U25,U29,U30,U31,U32,U36,U37,U38,U39,U43,U44,U45,U46,U50,U51,U52,U53,U57,U58,U59,U60,U61,U62,U63,U64
183	AE00449	solder material without lead	9308/Sn Ag Cu	
184	HK06706	PC board	P-CYCLONE-MONO BOARD-AI	
185	CB00069	electrolytic capacitor	1000uF/6.3V $\phi$ 8*11mm	C1 18,C2 18,C3 18,C4 18,C5 18,C6 18,C7 18,C8 19
186	CB00194	electrolytic capacitor	47uF/25V $\phi$ 5*11mm	C1 1,C1 2,C1 3,C1 6,C1 7,C1 8,C1 17,C1 19,C1 20,C2 1,C2 2,C2 3,C2 6,C2 7,C2 8,C2 17,C2 19,C2 20,C3 1,C3 2,C3 3,C3 6,C3 7,C3 8,C3 17,C3 19,C3 20,C4 1,C4 2,C4 3,C4 6,C4 7,C4 8,C4 17,C4 19,C4 20,C5 1,C5 2,C5 3,C5 6,C5 7,C5 8,C5 17,C5 19,C5 20,C6 1,C6 2,C6 3,C6 6,C6 7,C6 8,C6 17,C6 19,C6 20,C7 1,C7 2,C7 3,C7 6,C7 7,C7 8,C7 17,C7 19,C7 20,C8 1,C8 2,C8 3,C8 6,C8 7,C8 8,C8 17,C8 21,C8 20
187	HA01933	jump	2.5mm	C1 10,C2 10,C3 10,C4 10,C5 10,C6 10,C7 10,C8 10
188	AC00179	tin without lead	M705E Sn 3Ag-0.5Cu	
189	HB01993	PCB-RS	MONO BOARD VER060215	
190	HK06608	PC board	P-CYCLONE-STEREO PU-DIP	
191	HC00610	connector(male)	10P 2.54mm 90°	J33,J34,J35,J36
192	HC00371	MIC jack	SCJ-0658-1-Y	J2,J3
193	HC00125	MIC jack-RS	JY-6351G-02-250	J9 2,J9 3,J10 2,J10 3,J11 2,J11 3,J12 2,J12 3,J5,J6,J7,J8,J9,J10,J11,J12,J15,J16,J17,J18,J20,J21,J22,J23,J24,J25,J26,J27
194	HC00403	RCA jack	SCP6873NS3232T2 4P	J19
195	HC00339	connect terminal	6.5m/m (PCF250)	J32
196	HC00885	connector(male)-RS	7P 2.0mm 180°(A2004WV-2*7P)	J28,J29,J30
197	HC00126	balance MIC jack-RS	JY-5042-030G female plug 180°	J9 1,J10 1,J11 1,J12 1
198	HC00392	balance MIC jack-RS	JY-5030-030G 180°	J1,J4
199	AC00179	tin without lead	M705E Sn 3Ag-0.5Cu	
200	HK06610	PC board	P-CYCLONE-STEREO PU-SMD	
201	RD00068	SMD fixed resistor 1/10W	100 $\Omega$ $\pm$ 5% 0603	R17,R62,R64,R66,R68,R70,R72,R74,R76,R78,R80,R81,R85,R93,R94,R95,R97,R98,R99,R100,R101,R102,R103,R104,R105,R106,R107,R108
202	RD00083	SMD fixed resistor 1/10W	1.0K $\Omega$ $\pm$ 5% 0603	R57,R60
203	RD00088	SMD fixed resistor 1/10W	2.2K $\Omega$ $\pm$ 5% 0603	R9 2,R10 2,R11 2,R12 2
204	RD00214	SMD precise resistor 1/10W	10.0K $\Omega$ $\pm$ 1% 0603	R5,R6,R7,R8,R9,R9 8,R9 9,R9 10,R9 11,R9 12,R9 13,R9 15,R9 16,R10,R10 8,R10 9,R10 10,R10 11,R10 12,R10 13,R10 15,R10 16,R11 8,R11 9,R11 10,R11 11,R11 12,R11 13,R11 15,R11 16,R12 8,R12 9,R12 10,R12 11,R12 12,R12 13,R12 15,R12 16,R13,R14,R15,R16,R18,R19,R20,R21,R22,R23,R25,R26,R27,R28,R29,R30,R31,R32,R33,R34,R35,R36,R37,R38,R40,R41,R45,R46,R47,R48,R49,R51,R59,R83,R84,R87,R88,R89,R90,R91,R92,R96
205	RD00105	SMD fixed resistor 1/10W	22K $\Omega$ $\pm$ 5% 0603	R56,R58



No.	Part No.	Description	Specification	Remark
206	RD00116	SMD fixed resistor 1/10W	100KΩ ±5% 0603	R1,R2,R3,R4,R11,R12,R24,R39,R42,R43,R44,R50,R52,R53,R54,R55,R61,R63,R65,R67,R69,R71,R73,R75,R77,R79,R82,R86
207	RD00030	SMD fixed resistor 1/8W	6.8KΩ ±5% 0805	R9 1,R9 3,R10 1,R10 3,R11 1,R11 3,R12 1,R12 3
208	CI00051	SMD ceramic capacitor 0603	22PF/50V C0G±5%(C1608C0G1H220JT)/TDK	C9,C9 9,C9 10,C9 11,C9 12,C10,C10 9,C10 10,C10 11,C10 12,C11,C11 9,C11 10,C11 11,C11 12,C12,C12 9,C12 10,C12 11,C12 12,C29,C30,C31,C32,C37,C38,C39,C40,C45,C46,C49,C50
209	CI00053	SMD ceramic capacitor 0603	33PF/50V C0G±5%(C1608C0G1H330JT)/TDK	C15,C16,C17,C18,C19,C58,C59,C64
210	CI00075	SMD ceramic capacitor 0603	0.1uF/50V Y5V +80,-20%	C9 14,C9 17,C10 14,C10 17,C11 14,C11 17,C12 14,C12 17,C66,C68,C81,C82,C83,C84,C85,C86,C87,C88
211	SG00122	SMD integrated circuit	NJM4580M-TE3	U1,U2,U4,U5,U6,U7,U9 2,U10 2,U11 2,U12 2
212	AE00449	solder material without lead	9308/Sn Ag Cu	
213	HK06609	PC board	P-CYCLONE-STEREO PU-AI	
214	CB00194	electrolytic capacitor	47uF/25V φ5*11mm	C9 5,C9 6,C9 7,C9 8,C10 5,C10 6,C10 7,C10 8,C11 5,C11 6,C11 7,C11 8,C12 5,C12 6,C12 7,C12 8,C1,C2,C3,C4,C5,C6,C7,C8,C13,C14,C20,C21,C22,C23,C24,C25,C26,C27,C28,C33,C34,C35,C36,C41,C42,C43,C44,C47,C48,C51,C52,C53,C54,C55,C56,C57,C60,C61,C62,C63,C65,C67,C69,C71,C73,C75,C77,C79
215	CB00249	electrolytic capacitor	47uF/50V φ6.3*11mm 2.5mm	C9 1,C9 2,C10 1,C10 2,C11 1,C11 2,C12 1,C12 2
216	AC00179	tin without lead	M705E Sn 3Ag-0.5Cu	
217	HB01994	PCB-RS	STEREO PU VER060215	
218	HK06709	PC board	P-CYCLONE-STEREO BOARD-DIP	
219	SD00007	integrated circuit	BA15218N (M5218L substitute)	U11,U29
220	SB00175	transistor	2SA970-BL(TE2;T)	Q8,Q9
221	SB00062	transistor	BC337-25	Q1,Q2,Q3,Q9 1,Q10,Q11,Q13 1
222	SA00052	L.E.D	φ3 round(green)long foot 26	D9 2,D11 2,D13 2,D15 2,D13,D14,D21,D22,D23,D24,D40,D41,D43,D57,D58,D78,D79,D80,D81,D82,D83
223	SA00053	L.E.D	φ3 round(red)long foot 26mm	D9 1,D9 7,D9 8,D9 9,D9 10,D9 11,D11 1,D11 7,D11 8,D11 9,D11 10,D11 11,D13 1,D13 7,D13 8,D13 9,D13 10,D13 11,D15 1,D15 7,D15 8,D15 9,D15 10,D15 11,D55,D59
224	SA00201	L.E.D	φ5 red(LI3330/A)	D47
225	SA00054	L.E.D	3m/m round(yellow)long foot 26	D12,D20,D31,D32,D35,D36,D60,D61,D72,D73,D74,D75
226	SA00071	L.E.D	φ3 green LVG2340/A	D1,D2,D3,D4,D29,D30,D34,D38,D45,D9 4,D11 4,D13 4,D15 4
227	SA00072	L.E.D	φ3 red LI2340/A	D9 3,D11 3,D13 3,D15 3,D25,D26,D33,D37,D44
228	NI01773	LED spacer support	LEDS-13	
229	NI02384	LED spacer support	LEDS-4 4mm	
230	NI01765	LED spacer support	LEDS-10 10mm	

No.	Part No.	Description	Specification	Remark
231	RC00393	slide potentiometer	A10KΩ RFA0S11G6006-10KA(AA)	R1,R2,R3,R4
232	RC00395	slide potentiometer-dual unit	A10K RFA0N12G6501-10KAx2(AA)	R9 110,R11 110,R13 110,R15 110,R53
233	RC00429	potentiometer	B10KΩ RK09K113Z111-10K2B(SAS1);30F-C	R9 109,R11 109,R13 109,R15 109, R408,R410,R412,R434
234	RC00428	potentiometer	B20KΩ RK09K113Z115-20K2B(SAS1);30F-C	R186,R187,R208,R209,R220,R221
235	RC00530	potentiometer	B20KΩ RD09K12CZ031-20K3Bx2(SAS);30F-C	R9 26,R9 29,R9 32,R9 35,R9 38,R 9 44,R11 26,R11 29,R11 32,R11 3 5,R11 38,R11 44,R13 26,R13 29,R 13 32,R13 35,R13 38,R13 44,R15 26,R15 29,R15 32,R15 35,R15 38, R15 44,R132,R323,R327,R331,R334, R344,R348,R352,R355,R365,R369,R 373,R376,R386,R390,R394,R397,R40 7,R409,R411,R413,R693,R694,R695, R696,R697,R698,R699,R700
236	RC00358	potentiometer	B50KΩ-RD09F113A223-50K2BT(SAS1);30F-C	R151
237	RC00360	potentiometer	B50KΩ RD12L12CA23A-50K3BT*2(SAS1);30F-C	R9 7,R9 20,R9 21,R9 22,R9 23,R11 7, R11 20,R11 21,R11 22,R11 23,R13 7,R 13 20,R13 21,R13 22,R13 23,R15 7,R1 5 20,R15 21,R15 22,R15 23,R246,R247
238	RC00356	potentiometer	Z10KΩ RD09F1130042-10KZ(SAS1);30F	R9 1,R11 1,R13 1,R15 1
239	HC00626	connector	2.5 180° 1*15P B24-1*15BG1(A)H5	H9 1,H11 1,H13 1,H15 1
240	HC00339	connect terminal	6.5m/m (PCF250)	J21
241	HI00237	push-button switch-RS	2stage 12P PS-13422R(SELF-LOCK)	S1,S3,S6,S9,S11,S13,S16,S20,S21,S22,S 23,S24,S25,S26,S27,S28,S29,S30,S31,S3 5,S36,S39,S40,S41,S46,S56,S9 5,S9 6,S 9 9,S11 5,S11 6,S11 9,S13 5,S13 6,S1 3 9,S15 5,S15 6,S15 9
242	HI00236	push-button switch-RS	2-stage 6P PS-9226A(SELF-LOCK)	S2,S4,S5,S7,S8,S10,S12,S14,S15,S1 7,S18,S19,S32,S33,S34,S37,S38,S57 ,S58,S9 1,S9 10,S9 2,S9 3,S9 4,S9 7,S11 1,S11 10,S11 2,S11 3,S11 4,S11 7,S13 1,S13 10,S13 2,S13 3 ,S13 4,S13 7,S15 1,S15 10,S15 2, S15 3,S15 4,S15 7
243	HC00077	connector(male)	3P 2.5mm 180°	J2
244	HC00254	connector(male)	3P 2.0mm 180°	J3
245	HC00256	connector(male)	5P 2.0mm 180°	J10
246	HC00259	connector(male)	8P 2.0mm 180°	J22,J23
247	HC00397	connector(male)	10P 2.0mm 180°	J14
248	HC00321	connector(male)	14P 2.0mm 180°	J5
249	HC00883	connector(male)-RS	2P 2.0mm 180°(A2004WV-2*2P)	J6
250	HC00885	connector(male)-RS	7P 2.0mm 180°(A2004WV-2*7P)	J4,J7,J8,J16
251	HC00886	connector(male)-RS	8P 2.0mm 180°(A2004WV-2*8P)	J24
252	HA04569	wire-RS	10P-10P 140mm UL2651 28AWG PH1.27mm	J9,J11,J13,J15
253	HA00392	wire	270mm black L5R5	JUMP
254	HK02084	PC board	P-MONO PRE 60dB REV03-DIP	
255	HC00717	connector	2.54 180° 15P 16.5 2.5/5/9mm	CON1
256	HK02085	PC board	P-MONO PRE 60dB REV03-SMD	
257	RD00116	SMD fixed resistor 1/10W	100KΩ ±5% 0603	R33

No.	Part No.	Description	Specification	Remark
258	CI00075	SMD ceramic capacitor 0603	0.1uF/50V Y5V +80,-20%	C6,C7,C23,C24
259	RD00101	SMD fixed resistor 1/10W	10KΩ ±5% 0603	R24,R25,R27,R28
260	RD00214	SMD precise resistor 1/10W	10.0KΩ ±1% 0603	R22,R23
261	CI00071	SMD ceramic capacitor 0603	0.01uF/50V X7R ±10%	C10,C11
262	RD00201	SMD precise resistor 1/10W	1.50KΩ ±1% 0603	R31,R32
263	CI00065	SMD ceramic capacitor 0603	0.001uF/50V X7R ±10%	C16,C17
264	RD00306	SMD fixed resistor 1/10W	20KΩ ±5% 0603	R4,R5,R7
265	RD00204	SMD precise resistor 1/10W	2.49KΩ ±1% 0603	R9,R10,R11,R12,R13,R14,R15
266	CI00062	SMD ceramic capacitor 0603	330PF/50V NPO ±5 %	C9
267	SF00053	transistor	MMBT3906(SOT-23)/(PHI)	TR4,TR1,TR2,TR3
268	RD00078	SMD fixed resistor 1/10W	470Ω ±5% 0603	R16,R17
269	RD00355	SMD fixed resistor 1/10W	4.7Ω ±5% 0603	R3
270	RD00210	SMD precise resistor 1/10W	5.11KΩ ±1% 0603	R18,R19,R20,R21
271	RD00097	SMD fixed resistor 1/10W	6.8KΩ ±5% 0603	R29,R30
272	SE00028	SMD rectifier diode	BAS316,115	D1
273	HB01400	PCB	MONO PRE 60dB ALTO REV04	
274	AE00449	solder material without lead	9308/Sn Ag Cu	
275	SE00011	SMD rectifier diode	RLS4148 0.5A (LL-34)	D2,D3,D4,D5
276	RD00065	SMD fixed resistor 1/10W	47Ω ±5% 0603	R1,R2
277	CI00266	SMD ceramic capacitor-RS 0603	22PF/50V NPO ±5 %	C8,C12,C13,C14,C15
278	SG00122	SMD integrated circuit	NJM4580M-TE3	U1,U2,U3
279	SB00175	transistor	2SA970-BL(TE2;T)	TR5,TR6
280	AC00179	tin without lead	M705E Sn 3Ag-0.5Cu	
281	ND00083	EV foam	10*25*5	
282	MI02953	fixed bracket	CYCLONE160 7*7.5*173 L type V1.0	
283	MJ00061	iron board	1*2135*1220 20.45kg	
284	MG00199	screw	M3*4	
285	AC00179	tin without lead	M705E Sn 3Ag-0.5Cu	
286	HK06701	PC board	P-CYCLONE-STEREO BOARD-SMD	
287	RD00059	SMD fixed resistor 1/10W	0.0Ω ±5% 0603	R7,R8,R9
288	RD00006	SMD fixed resistor 1/8W	100Ω ±5% 0805	R9 41,R13 41,R77,R81,R638,R640,R688
289	RD00068	SMD fixed resistor 1/10W	100Ω ±5% 0603	R54,R88,R501,R543,R544,R545
290	RD00069	SMD fixed resistor 1/10W	120Ω ±5% 0603	R678,R679
291	RD00078	SMD fixed resistor 1/10W	470Ω ±5% 0603	R78,R79,R82,R83,R90,R91
292	RD00080	SMD fixed resistor 1/10W	680Ω ±5% 0603	R682,R683
293	RD00082	SMD fixed resistor 1/10W	820Ω ±5% 0603	R672,R673
294	RD00083	SMD fixed resistor 1/10W	1.0KΩ ±5% 0603	R159,R161,R167
295	RD00084	SMD fixed resistor 1/10W	1.2KΩ ±5% 0603	R680,R681
296	RD00086	SMD fixed resistor 1/10W	1.8KΩ ±5% 0603	R546,R547,R548,R549,R550,R551,R552, R553,R554,R555,R556,R557,R558,R559, R560,R561,R562,R563,R564,R565,R566, R567,R568,R569,R570,R571,R572,R573, R574,R575,R576,R577
297	RD00088	SMD fixed resistor 1/10W	2.2KΩ ±5% 0603	R667,R668

No.	Part No.	Description	Specification	Remark
298	RD00089	SMD fixed resistor 1/10W	2.7KΩ ±5% 0603	R9 18,R9 9,R11 18,R11 9,R13 18, R13 9,R15 18,R15 9
299	RD00090	SMD fixed resistor 1/10W	3.0KΩ ±5% 0603	R174,R175,R177,R178,R180,R183
300	RD00091	SMD fixed resistor 1/10W	3.3KΩ ±5% 0603	R684,R685
301	RD00093	SMD fixed resistor 1/10W	4.7KΩ ±5% 0603	R9 113,R9 115,R9 131,R9 134,R11 113,R11 115,R11 131,R11 134,R13 113,R13 115,R13 131,R13 134,R15 113,R15 115,R15 131,R15 134,R84,R95,R131,R232,R249,R297,R300,R303,R306,R309,R312,R315,R318,R335,R343,R358,R364,R379,R385,R389,R393,R438
302	RD00094	SMD fixed resistor 1/10W	5.1KΩ ±5% 0603	R9 117,R9 132,R11 117,R11 132,R13 117,R13 132,R15 117,R15 132,R60,R67,R70,R72,R75,R100,R104,R111,R120,R127,R130,R340,R361,R382,R403,R416,R418,R422,R425,R428,R55,R57
303	RD00096	SMD fixed resistor 1/10W	6.2KΩ ±5% 0603	R13,R24,R37,R47
304	RD00097	SMD fixed resistor 1/10W	6.8KΩ ±5% 0603	R153,R154,R298,R299,R301,R302,R304,R305,R307,R308,R310,R311,R313,R314,R316,R317,R319,R320
305	RD00101	SMD fixed resistor 1/10W	10KΩ ±5% 0603	R5,R6,R9 11,R9 112,R9 119,R9 120,R9 121,R9 122,R9 123,R9 124,R9 125,R9 126,R9 127,R9 128,R9 133,R9 2,R9 27,R9 28,R9 30,R9 31,R9 33,R9 34,R9 36,R9 37,R9 39,R9 40,R9 42,R9 43,R9 60,R9 65,R9 68,R9 69,R9 79,R9 82,R11,R11 11,R11 112,R11 119,R11 120,R11 121,R11 122,R11 123,R11 124,R11 125,R11 126,R11 127,R11 128,R11 133,R11 2,R11 27,R11 28,R11 30,R11 31,R11 33,R11 34,R11 36,R11 37,R11 39,R11 40,R11 42,R11 43,R11 60,R11 65,R11 68,R11 69,R11 79,R11 82,R13 11,R13 112,R13 119,R13 120,R13 121,R13 122,R13 123,R13 124,R13 125,R13 126,R13 127,R13 128,R13 133,R13 2,R13 27,R13 28,R13 30,R13 31,R13 33,R13 34,R13 36,R13 37,R13 39,R13 40,R13 42,R13 43,R13 60,R13 65,R13 68,R13 69,R13 79,R13 82,R15,R15 11,R15 112,R15 119,R15 120,R15 121,R15 122,R15 123,R15 124,R15 125,R15 126,R15 127,R15 128,R15 133,R15 2,R15 27,R15 28,R15 30,R15 31,R15 33,R15 34,R15 36,R15 37,R15 39,R15 40,R15 42,R15 43,R15 60,R15 65,R15 68,R15 69,R15 79,R15 82,R18,R22,R25,R26,R29,R30,R35,R39,R42,R46,R49,R50,R61,R64,R65,R69,R71,R74,R85,R94,R99,R102,R103,R110,R112,R114,R124,R125,R129,R133,R134,R135,R136,R137,R138,R139,R140,R141,R142,R143,R144,R152,R157,R158,R163,R164,R165,R170,R184,R223,R224,R229,R231,R234,R248,R324,R325,R328,R329,R332,R333,R336,R337,R338,R339,R341,R342,R345,R346,R349,R350,R353,R354,R356,R357,R359,R360,R362,R363,R366,R367,R370,R371,R374,R375,R377,R378,R380,R381,R383,R384,R387,R388,R391,R392,R3,R450,R451,R452,R453,R454,R455,R456,R457,R458,R459,R460,R461,R462,R463,R464,R466,R467,R468,R469,R471,R472,R474,R479,R480,R482,R485,R487,R490,R491,R493,R494,R495,R496,R502,R503,R504,R505,R506,R507,R508,R509,R510,R511,R512,R513,R514,R515,R654,R655,R663,R665,R669,R670,R671,R674,R675,R676,R677,R690,R691,R692,R701,R702,R703,R704,R705,R706,R707,R708,R709,R710,R711,R712,R713,R714,R396,R399,R400,R401,R402,R404,R405,R414,R415,R417,R420,R421,R424,R426,R427,R446,R447,R448,R449
307	RD00103	SMD fixed resistor 1/10W	15KΩ ±5% 0603	R595,R596,R597,R598,R599,R600,R601,R602,R603,R604,R605,R606,R607,R608,R609,R610,R611,R612

No.	Part No.	Description	Specification	Remark
306	RD00102	SMD fixed resistor 1/10W	12KΩ ±5% 0603	R149,R181,R182
308	RD00306	SMD fixed resistor 1/10W	20KΩ ±5% 0603	R9 48,R13 47,R59,R68,R76,R80,R98,R128,R260,R266,R267,R268,R269,R278,R281,R282,R283,R286,R287,R288,R423,R475,R476,R637,R686,R687
309	RD00105	SMD fixed resistor 1/10W	22KΩ ±5% 0603	R150,R179
310	RD00106	SMD fixed resistor 1/10W	27KΩ ±5% 0603	R9 16,R9 17,R9 6,R9 8,R11 16,R11 17,R11 6,R11 8,R13 16,R13 17,R13 6,R13 8,R15 16,R15 17,R15 6,R15 8
311	RD00107	SMD fixed resistor 1/10W	30KΩ ±5% 0603	R326,R330,R347,R351,R368,R372,R398,R406,R465,R470,R473,R477,R478,R481,R483,R484,R486,R488,R489,R649,R650,R651,R652,R653
312	RD00108	SMD fixed resistor 1/10W	33KΩ ±5% 0603	R664,R666
313	RD00109	SMD fixed resistor 1/10W	39KΩ ±5% 0603	R629,R630,R631,R632,R633,R634,R635,R636
314	RD00116	SMD fixed resistor 1/10W	100KΩ ±5% 0603	R9 10,R9 106,R9 108,R9 118,R9 135,R9 139,R9 143,R9 15,R9 19,R9 24,R9 25,R9 3,R9 4,R9 45,R9 46,R9 47,R9 5,R10,R11 10,R11 106,R11 108,R11 118,R11 135,R11 139,R11 143,R11 15,R11 19,R11 24,R11 25,R11 3,R11 4,R11 41,R11 46,R11 47,R11 48,R11 5,R12,R13 10,R13 106,R13 108,R13 118,R13 135,R13 139,R13 143,R13 15,R13 24,R13 25,R13 3,R13 4,R13 45,R13 46,R13 48,R13 5,R14,R15 10,R15 106,R15 108,R15 118,R15 135,R15 139,R15 143,R15 15,R15 19,R15 24,R15 25,R15 3,R15 4,R15 41,R15 45,R15 46,R15 5,R16,R17,R19,R34,R41,R62,R73,R86,R87,R89,R93,R101,R113,R122,R147,R148,R168,R173,R185,R270,R271,R272,R273,R274,R275,R276,R277,R279,R280,R284,R285,R419,R429,R433,R492,R497,R498,R499,R500,R520,R521,R522,R523,R524,R525,R526,R527,R528,R529,R530,R531,R532,R533,R534,R639,R641,R642,R643,R644,R645,R646
315	RD00118	SMD fixed resistor 1/10W	150KΩ ±5% 0603	R656,R657
316	RD00119	SMD fixed resistor 1/10W	220KΩ ±5% 0603	R578,R579,R580,R581,R582,R583,R584,R585,R586,R587,R588,R589,R590,R591,R592,R593,R594
317	RD00124	SMD fixed resistor 1/10W	820KΩ ±5% 0603	R659,R660,R661,R662
318	RD00125	SMD fixed resistor 1/10W	1.0MΩ ±5% 0603	R613,R614,R615,R616,R617,R618,R619,R620,R621,R622,R623,R624,R625,R626,R627,R628
319	CI00051	SMD ceramic capacitor 0603	22PF/50V C0G±5%(C1608C0G1H220JT)/TDK	C3,C4,C8,C9,C9 10,C9 20,C9 42,C11 10,C11 4,C13 10,C13 4,C15 10,C15 4,C152,C155,C156,C157,C158,C159,C160,C161,C162,C163,C164,C165,C166,C167,C168,C169,C170,C171,C172,C173,C174,C175,C176,C177,C178,C179,C180,C181,C182,C183,C184,C185,C186,C187,C188,C189,C190,C191,C192,C193,C9 32,C9 41,C11 16,C11 2,C11 20,C11 32,C13 16,C13 2,C13 20,C13 32,C14,C15 16,C15 2,C15 20,C15 32,C19,C52,C53,C57,C58,C98,C99,C101,C102,C105,C107,C108,C118,C146,C148,C198,C199,C200,C201,C202,C203,C204,C205,C206,C207,C208,C209,C210,C211,C404
320	CI00059	SMD ceramic capacitor 0603	100PF/50V NPO ±5%	C59,C61,C92,C96,C149

No.	Part No.	Description	Specification	Remark
321	CI00067	SMD ceramic capacitor 0603	0.0022uF/50V X7R ±10%	C290,C291,C292,C293,C294,C295,C296,C297
322	CI00069	SMD ceramic capacitor 0603	0.0033uF/50V X7R ±10 %	C322,C323,C324,C325,C326,C327,C328,C329,C330,C331,C332,C333,C334,C335,C336,C337
323	CI00071	SMD ceramic capacitor 0603	0.01uF/50V X7R ±10%	C40,C45,C48,C49,C50,C51,C54
324	CI00093	SMD ceramic capacitor 0603	0.015uF/50V X7R ±10%	C298,C299,C300,C301,C302,C303,C304,C305,C306,C307,C308,C309,C310,C311,C312,C313
325	CI00073	SMD ceramic capacitor 0603	0.033uF/50V X7R ±10%	C314,C315,C316,C317,C318,C319,C320,C321
326	CI00075	SMD ceramic capacitor 0603	0.1uF/50V Y5V +80,-20%	C9 22,C9 23,C9 24,C9 25,C9 28,C9 29,C9 39,C9 40,C11 22,C11 23,C11 24,C11 25,C11 28,C11 29,C11 39,C11 40,C13 22,C13 23,C13 24,C13 25,C13 28,C13 29,C13 39,C13 40,C15 22,C15 23,C15 24,C15 25,C15 28,C15 29,C15 39,C15 40,C29,C30,C31,C32,C33,C34,C35,C36,C41,C42,C63,C65,C68,C71,C113,C114,C115,C116,C117,C119,C120,C121,C122,C123,C124,C125,C127,C128,C129,C130,C135,C136,C137,C138,C139,C140,C141,C142,C143,C144,C151,C153,C154,C228,C229,C230,C231,C232,C233,C234,C235,C236,C237,C238,C239,C240,C241,C242,C243,C244,C245,C246,C247,C248,C249,C250,C251,C252,C253,C254,C255,C256,C257,C258,C259,C260,C261,C479,C480,C481,C482,C483,C484,C485,C486,C487,C488,C489,C490,C491,C492,C493,C494,C495,C496,C497,C498,C499,C500,C501,C502,C503
327	SE00011	SMD rectifier diode	RLS4148 0.5A (LL-34)	D5,D6,D7,D8,D9,D10,D11,D15,D16,D17,D18,D19,D27,D28,D39,D42,D46,D48,D49,D50,D51,D52,D53,D54,D56,D66,D67,D68,D69,D70,D71,D76,D77,D84,D85,D86,D87,D88,D89,D90,D91,D95,D96,D13 5,D13 6
328	SG00122	SMD integrated circuit	NJM4580M-TE3	U1,U2,U3,U4,U5,U6,U7,U8,U9,U9 1,U9 3,U9 4,U9 5,U11 1,U11 3,U11 4,U11 5,U13 1,U13 3,U13 4,U13 5,U14,U15 1,U15 3,U15 4,U15 5,U16,U17,U18,U19,U20,U21,U22,U23,U25,U26,U27,U28,U30,U31,U32,U33,U34,U35,U36,U49,U50,U51,U52,U53,U54,U55,U56,U57,U58,U59,U60,U61,U62,U63,U64,U65,U66,U67,U68,U69,U75,U76
329	SF00051	transistor	SST176(S6)(SOT-23)/(VISHAY)	Q4,Q5,Q6,Q7
330	SF00053	transistor	MMBT3906(SOT-23)/(PHI)	Q9 2,Q9 3,Q9 4,Q11 2,Q11 3,Q13 2,Q13 3,Q15 2,Q15 3
331	SG00116	SMD integrated circuit	BA1033FV E2	U70,U71,U73,U74
332	AE00449	solder material without lead	9308/Sn Ag Cu	
333	RD00268	SMD fixed resistor 1/10W	300KΩ ±5% 0603	R658
334	RD00111	SMD fixed resistor 1/10W	47KΩ ±5% 0603	R251,R253
335	RD00445	SMD precise resistor 1/10W	2.43KΩ ±1% 0603	R233,R222
336	RD00095	SMD fixed resistor 1/10W	5.6KΩ ±5% 0603	R172
337	HK06708	PC board	P-CYCLONE-STEREO BOARD-AI	
338	CB00011	electrolytic capacitor	2.2uF/50V φ5*11mm	C69,C73
339	CB00165	electrolytic capacitor	10uF/16V φ4*5mm	C66,C72

No.	Part No.	Description	Specification	Remark
340	CB00025	electrolytic capacitor	10uF/50V $\phi 6^*7$ mm	C93,C95
341	CB00194	electrolytic capacitor	47uF/25V $\phi 5^*11$ mm	C1,C2,C5,C6,C7,C10,C11,C12,C15,C16,C17,C18,C20,C22,C24,C25,C26,C47,C55,C60,C62,C64,C67,C70,C82,C84,C86,C87,C88,C89,C94,C145,C147,C270,C271,C272,C273,C274,C275,C276,C277,C280,C281,C282,C283,C284,C285,C286,C287,C288,C289,C339,C340,C346,C347,C350,C351,C354,C355,C510,C511,C512,C9 1,C9 3,C9 4,C9 6,C9 8,C9 12,C9 13,C9 14,C9 15,C9 21,C9 33,C9 34,C9 35,C9 43,C9 44,C11 1,C11 3,C11 6,C11 8,C11 12,C11 13,C11 14,C11 15,C11 17,C11 18,C11 21,C11 30,C11 33,C11 34,C11 35,C13 1,C13 3,C13 6,C13 8,C13 12,C13 13,C13 14,C13 15,C13 17,C13 19,C13 21,C13 30,C13 33,C13 34,C13 35,C15 1,C15 3,C15 6,C15 8,C15 12,C15 13,C15 14,C15 15,C15 17,C15 19,C15 21,C15 30,C15 33,C15 34,C15 35
342	CB00166	electrolytic capacitor	100uF/16V $\phi 6^*5$ mm	C9 5,C9 11,C11 5,C11 11,C13 5,C13 11,C15 5,C15 11,C46,C338
343	CB00069	electrolytic capacitor	1000uF/6.3V $\phi 8^*11$ mm	C9 7,C11 7,C13 7,C15 7
344	RA00184	fixed resistor 1/4W	100 $\Omega$ M type	R58,R225,R228,R235,R239,R689
345	RA00136	fixed resistor 1/2W	2.2K $\Omega$ M type	R256,R257
346	RA00140	fixed resistor 1/2W	4.7K $\Omega$ M type	R259
347	RA00242	fixed resistor 1/4W	10K $\Omega$ M type	R192,R193,R195,R196,R202,R203,R205,R206,R212,R213,R215,R216
348	HA01933	jump	2.5mm	C9 18,C11 19,C13 18,C15 18,C100,C103,C106,C109
349	AC00179	tin without lead	M705E Sn 3Ag-0.5Cu	
350	HB01995	PCB-RS	STEREO BOARD-VER060217	
351	HK06710	K-PC BOARD	P-CYCLONE-LIGHT CONNECTOR	
352	HB01933	PCB-RS	LIGHT CONNECTOR VER060217	
353	HC00125	MIC jack-RS	JY-6351G-02-250	X1
354	HC00615	balance MIC jack	NC4FAV-0 4PIN (NEUTRIK)	J20
355	HC00126	balance MIC jack-RS	JY-5042-030G female plug 180°	J19
356	HC00065	connector(male)	2P 2.5mm 90°	J18
357	HC00248	connector(male)	3P 2.0mm 90°	J12
358	HC00066	connector(male)	3P 2.5mm 90°	J17
359	AC00179	tin without lead	M705E Sn 3Ag-0.5Cu	
360	HK06711	PC board	P-CYCLONE-POWER CONNECTOR	
361	HB01934	PCB-RS	POWER CONNECTOR VER060217	
362	HC00339	connect terminal	6.5m/m (PCF250)	J30
363	HC00253	connector(male)	2P 2.0mm 180°	CN12
364	HC00076	connector(male)	2P 2.5mm 180°	CN11
365	HC00258	connector(male)	7P 2.0mm 180°	CN7
366	AC00179	tin without lead	M705E Sn 3Ag-0.5Cu	
367	HA04610	wire-RS	2*2P-2*2P 190*2/105/370mm UL1007 26AWG	
368	HA04611	wire-RS	2*5P-2*5P 190*2/240mm UL1007 24AWG	

No.	Part No.	Description	Specification	Remark
369	HA04612	wire-RS	2*7P-2*7P 190*2/30/770mm UL1007 24AWG	
370	HA04613	wire-RS	2*10P-2*10P 190*2/60mm UL1007 24AWG	
371	HA04614	wire-RS	2*14P-2*14P 190*2/30mm UL1007 24AWG	
372	HA04615	wire-RS	3P-3P 290mm UL1007 26AWG red/white	
373	HA04616	wire-RS	2P-2P 580mm UL1007 24AWG red/white	
374	HA04617	wire-RS	8P-8P 160/240mm UL1007 24AWG red/white	
375	HA04618	wire-RS	2*7P-2*7P 400mm UL1007 26AWG red/white	
376	HA04619	wire-RS	2*7P-2*7P 480mm UL1007 26AWG red/white	
377	HA04620	wire-RS	2*7P-2*7P 600mm UL1007 26AWG red/white	
378	HA04585	wire-RS	240mm UL1015 18AWG black	
379	HA04588	wire-RS	210*2/340mm UL1015 18AWG black	
380	MG00645	copper nut	M3*16*0.5PH V1.0	
381	MG00363	copper pillar	M3*14*0.5PH	
382	MG00041	screw	M3*6	
383	MG00249	screw	screw	
384	MG00589	screw	M3*4	
385	MG00281	screw	M3*6	
386	MG00027	screw	M3*12	
387	MG00061	screw	M3*10	
388	ME00060	MIC jack	JY-6351G-02-250	
389	MF00061	MIC jack	φ9.6*φ13*0.5t	
390	HC00683	connector	CB-6MC 6P male adoptor	
391	NI02842	plastic foot	φ21.8*10(FFS-1) V1.0	
392	NI04089	fixed board	TYPHOON1600 5.5*76*121 black V1.0	
393	NI03710	rubber stopper	50.9*6.8 black V1.1	
394	NI02926	button	13.9*10*24mm TYPHOON V1.4	
395	NI03140	knob	5*5*9 TYPHOON V1.0	
396	NI03139	knob	10*5*9 TYPHOON V1.0	
397	NI03055	knob	24*9.5*10.5 TYPHOON	
398	NI03056	knob	24*9.5*10.5 TYPHOON	
399	NI03367	knob	24*9.5*10.5 CYCLONE V1.0	
400	NI00359	knob	φ10*16.5	
401	NI02692	knob cover	φ7*3.5 black	
402	NI02678	knob cover	φ7*3.5 534C blue	
403	NI02867	knob cover	φ7*3.5 221U V1.0	
404	NI03161	knob cover	φ7*3.5 yellow V1.0	
405	NI04287	spacer support-RS	RAM-14 14mm	
406	NI00218	cable tie	ALT-102SB	
407	NI04282	header fixed bracket-RS	FCN-15(3M)	
408	NI04340	header fixed bracket-RS	WLL-3(3M)	
409	NF02542	instruction	CYCLONE 160/240/320 ALTO V1.1	
410	NH00149	paper	889*640mm	



No.	Part No.	Description	Specification	Remark
411	NA00122	PE bag	0.04t*350*230mm	
412	NA00551	PE bag-RS	0.1t*83*112cm	
413	NA00543	silk wadding	CYCLONE 320 front right V1.0	
414	NA00544	silk wadding	CYCLONE 320 front left V1.0	
415	NA00545	silk wadding	CYCLONE 320 behind right V1.0	
416	NA00546	silk wadding	CYCLONE 320 behind left V1.0	
417	NB04740	box	CYCLONE 320-PWR V1.0	
418	NB04741	barrier	CYCLONE SERIES-PWR V1.0	
419	NB04742	cardboard	CYCLONE SERIES-PWR V1.0	
420	NB04743	cardboard	CYCLONE SERIES-PWR up V1.0	
421	NB04744	cardboard	CYCLONE SERIES-PWR V1.0	
422	NB04726	box	CYCLONE 320 ALTO V1.0	
423	NB04727	box	CYCLONE 320 ALTO V1.0	
424	NB04728	carton	CYCLONE 320 ALTO V1.0	
425	HJ00006	dessicant	30g	
426	NE05004	label	ALTO	
427	NH00334	cone paper	0.040*1m	
428	NE16148	label	CYCLONE 320 V1.0	
429	NI00014	membrane	0.035*1M	
430	NH00012	bond paper	0.04*1M	
431	NF00061	assurance card	ALTO	
432	NA00279	clip-chain bag	0.04t*100*150mm V1.0	
433	AD00012	twin adhesive	90*120mm V1.0	
434	HA00861	power cord Europe 3P	LT-312+LT-501	
435	HK06780	power	CYCLONE .PS 160.240.320 ALTO	
436	MB04780	rear board	CYCLONE . 160-PWR 220-240V V1.0	
437	MB04760	rear board	CYCLONE-PWR	
438	AE00055	solvent	solvent	
439	AE00060	paint	4534	
440	MB04759	rear board	CYCLONE-PWR 1.2t*208.5*190*64.8 V1.0	
441	ME00036	iron pillar	hexagon6.35*M3*9.2	
442	MD00882	iron net	CYCLONE-PWR 0.5t*84.5*58.8 V1.0	
443	MD00343	iron net	1M*134mm	
444	MJ00059	single light board	1.2*2135*1220 24.54kg	
445	MA05975	panel	CYCLONE.160/240/320-PWR ALTO V1.0	
446	MA05957	panel	CYCLONE-PWR	
447	AE00060	paint	4534	
448	AE00055	solvent	solvent	
449	MA05956	panel	CYCLONE-PWR 1.2t*205.5*63.6*12 V1.0	
450	ME00223	iron pillar-RS	TYPHOON M3*5.2*0.5PH V1.0	
451	MJ00059	single light board	1.2*2135*1220 24.54kg	
452	MD00257	protective cover	60*60mm (KGO60.04A)	

No.	Part No.	Description	Specification	Remark
453	HC00331	AC socket	RF-2004	
454	HD00028	glass tube fuse	2A 250V $\phi$ 5.2*20mm CSA/S/UL/VDE	
455	HI00019	power switch	4P MSR-8	
456	HA02812	wire	5P-5P 300mm UL1007 24LWG white black	
457	HA04557	wire-RS	60mm UL1015 22AWG white	
458	HA04556	wire-RS	100mm UL1015 22AWG brown	
459	HA04558	wire-RS	130mm UL1015 20AWG blue	
460	HA04559	wire-RS	130mm UL1015 20AWG yellow	
461	HA03238	wire	160m/m UL1015 18AWG	
462	HA04503	wire-RS	5P-6P 95/220mm UL1007 18AWG	
463	HE00104	fan-RS	DC24V/0.13A 60*60*25mm	
464	HA03906	power wire	SCMI-6P+6*6C(PVC) 1.5M+SCM1-6P	
465	MG00041	screw	M3*6	
466	MG00025	screw	M3*6	
467	MG00607	screw	M5*10	
468	HC00683	connector	CB-6MC 6P male adoptor	
469	NI03710	rubber stopper	50.9*6.8 black V1.1	
470	NI03205	protective cover	0.5*44*15 V1.0	
471	NA00137	clip-chain bag	5*7	
472	ND00542	filter sponge	140*60*10t black	
473	NA00123	PE bag	0.04t*580*300mm	
474	NI00218	cable tie	ALT-102SB	
475	NI00501	self-adhere foot cushion	12.7*9*3t(SF-004)	
476	NI00246	sleeve	$\phi$ 3*20mm	
477	NI00243	sleeve	$\phi$ 3*1000mm	
478	HK06781	PC board	CYCLONE PWR-DIP	
479	CF00009	metal-film capacitor MPF	0.0047uF/400V 10%	C109
480	CG00056	X2 capacitor	0.47uF/275VAC	C101,C102
481	CG00039	X2 capacitor MPX	0.47uF/275V VDE/UL/CSA L=8mm	C1
482	RA01454	chassis bracket 5W	0.15 $\Omega$ $\pm$ 5% SQP	R110
483	RA00013	metal-oxide-film resistor 1W	150 $\Omega$ P type	R2
484	RA00813	metal-oxide-film resistor 1W	220 $\Omega$ P type	R3,R4
485	CB00073	electrolytic capacitor	1000uF/35V $\phi$ 13*20mm	C308,C311
486	CB00218	electrolytic capacitor	1000uF/63V $\phi$ 16*25mm	C3,C304
487	RH00005	thermistor	100 $\Omega$ (PTH9M04BH471TS2F333)	PR1
488	CB00050	electrolytic capacitor	100uF/50V $\phi$ 8*11mm	C315,C316
489	CB00295	electrolytic capacitor	820uF/180V $\phi$ 25*35	C107,C108
490	RA00319	fixed resistor 1/4W	1.0 $\Omega$ M type	R302
491	SA00107	zener diode	1W 15V 1N4744	D309
492	SA00143	zener diode	1W 20V 1N4747A	D311,D314
493	SA00163	zener diode	1W 24V	D315,D316
494	RA01227	metal-oxide-film resistor 1W	220K $\Omega$ P type	R5

No.	Part No.	Description	Specification	Remark
495	RA00049	metal-oxide-film resistor 2W	22KΩ P type	R102,R103
496	SB00023	power transistor	2SA1943-O	Q4
497	SB00021	power transistor	2SC5200	Q3,Q5
498	CN00160	inductance	2.7mH φ0.7*28.5T	L101,L102
499	CB00084	electrolytic capacitor	3300uF/50V φ22*35mm	C305,C306
500	CB00139	electrolytic capacitor	4.7uF/63V NP φ6.3*11mm	C117
501	CB00276	electrolytic capacitor	220uF/25V φ6.3*11mm 5mm	C312,C314
502	CF00139	metal-film capacitor MEF	0.047UF/400V 5%	C118,C119
503	CB00039	electrolytic capacitor	47uF/25V φ5*11mm	C310,C313
504	CB00217	electrolytic capacitor	470uF/50V φ10*20mm	C2
505	CB00203	electrolytic capacitor	47uF/35V φ5*11mm	C113,C114
506	SD00066	integrated circuit	L7812CV(TO-220)(ST)	U2
507	SA00130	diode	1A/600V/35ns BYV26C	D104,D105
508	SA00004	high speed diode	2A/100V BYV27-200,113	D103,D307,D305,D306,D313
509	SB00147	transistor	2SC4382(TO-220)/(SANKEN)	Q6,Q7,Q1
510	CB00033	electrolytic capacitor	22uF/25V φ6*7mm	C122
511	HC00076	connector(male)	2P 2.5mm 180°	J2
512	HC00079	connector(male)	5P 2.5mm 180°	J3
513	HC00177	connector(male)	5P 3.96mm 180°	J1
514	TC00333	transformer-RS	ETD39	TB1
515	SA00134	diode	6A/200V/35ns FE6D	D308,D310,D312
516	HC00324	connect terminal	6.5m/m (PC250)	115V,230V,AC1,AC2,COM,GND,P1,P2
517	SD00122	integrated circuit	IR 2153	U3
518	SB00184	transistor	2SK2611(T)(TO3P)/(TOSHIBA)	Q405B,Q406B
519	SA00007	bridge rectifier	8A KBU-806 comb type	D101
520	TC00334	transformer-RS	PT-XP35P2001502A3 240V	TP1
521	SB00130	transistor	MPSA42/(PHILIPS)	Q401,Q403
522	SA00099	rectifier diode	MUR1520/STPR1520D	D301,D302,D303,D304
523	RH00012	thermistor	10Ω S364(B57364-S100-M)	R101
524	MI03520	heat sink	CYCLONE-PWR 70*34.5*16.5 V1.0	
525	MI03116	heat-sink	5T*34.5*16.5*1M+5(1M/0.9KG) V 1.0	
526	MI03519	heat sink	CYCLONE-PWR 70*34.5*16.5 V1.0	
527	MI03116	heat-sink	5T*34.5*16.5*1M+5(1M/0.9KG) V 1.0	
528	MI03518	heat sink	CYCLONE-PWR 150*48*17 V1.0	
529	MI03517	heat sink	CYCLONE-PWR 1000*50*17 V1.0	
530	MG00166	screw	M3*10	
531	MG00163	screw	M3*8	
532	MF00037	washer	φ3.2*φ5.5*1t	
533	NC00127	mica	22*28	
534	NC00005	mica	SB-9500DSP 18*13*0.1t V1.0	
535	NI00863	plastic washer	TO220B	
536	AC00179	tin without lead	M705E Sn 3Ag-0.5Cu	

No.	Part No.	Description	Specification	Remark
537	HK06783	PC board	CYCLONE PWR-SMD	
538	CI00100	SMD ceramic capacitor 0805	0.1uF/50V X7R ±10%	C5,C11,C12,C13,C112,C115,C116,C121,C123
539	RD00032	SMD fixed resistor 1/8W	10KΩ ±5% 0805	R112,R118
540	RD00049	SMD fixed resistor 1/8W	100KΩ ±5% 0805	R121
541	RD00036	SMD fixed resistor 1/8W	18KΩ ±5% 0805	R122
542	SE00011	SMD rectifier diode	RLS4148 0.5A (LL-34)	D106,D107,D108,D109
543	RD00523	SMD fixed resistor 1/10W	22Ω ±5% 0805	R105,R108
544	CI00146	SMD ceramic capacitor 0805	0.22uF/50V X7R ±10%	C124
545	RD00038	SMD fixed resistor 1/8W	22KΩ ±5% 0805	R106,R109,R114,R116,R117,R119,R123
546	RD00053	SMD fixed resistor 1/8W	330KΩ ±5% 0805	R115
547	RD00235	SMD precise resistor 1/8W	4.70KΩ ±1% 0805	R1,R113
548	RD00004	SMD fixed resistor 1/8W	47Ω ±5% 0805	R104
549	RD00054	SMD fixed resistor 1/8W	470KΩ ±5% 0805	R120
550	RD00507	SMD precise resistor 1/8W	4.30Ω ±1% 0805	R107
551	AE00449	solder material without lead	9308/Sn Ag Cu	
552	RD00100	SMD fixed resistor 1/10W	9.1KΩ ±5% 0603	R111
553	HB01979	PCB-RS	PSM-300W VER060421	
554	MG00041	screw	M3*6	
555	CG00030	X1/Y2 capacitor	2200PF/400V Y5V ±20% Y2CAP	C4,C6,C7,C8,C103,C104
556	CG00020	X1/Y2 capacitor	4700PF Y5V X1-400V Y2-250V	C105,C106
557	SB00129	transistor	MPSA92(TO92)/(PHI)	Q402,Q404
558	SB00148	transistor	2SA1668(TO-220)/(SANKEN)	Q2
559	SB00073	transistor	2N5550/2N5551	Q407,Q411
560	SB00074	transistor	2N5401	Q408,Q409,Q410
561	CA00102	ceramic capacitor	0.001uF Z5V	C120
562	CB00040	electrolytic capacitor	47uF/25V φ5*11mm	
563	CB00274	electrolytic capacitor	470uF/35V φ10*20mm 5mm	C301,C302,C303,C111
564	CB00253	electrolytic capacitor	1000uF/16V φ10*16mm 5mm	C307,C309
565	HA01920	jump	6mm	L1,L2,L3,L4
566	HA02249	wire	φ0.6 Tin plated	
567	HK06784	PC board	CYCLONE PWR-LED	
568	HB02012	PCB-RS	PSM-300W-LED VER060214	
569	RA00237	fixed resistor 1/4W	7.5KΩ M type	R4
570	RA00362	fixed resistor 1/8W	2.0KΩ M type	R3
571	RA00369	fixed resistor 1/8W	3.0KΩ M type	R1,R2
572	HC00271	connector(male)	5P 2.54mm 90°	CN1
573	SA00025	L.E.D	φ5 circle green LX3310/F423	LD1,LD2,LD3,LD4
574	AC00179	tin without lead	M705E Sn 3Ag-0.5Cu	
575	MH02001	magnet	VDT17.5X9.5X12.7	
576	HI00120	slide switch	L21-22A	
577	MC00837	top cover-RS	CYCLONE-PWR V 1.0	
578	AE00055	solvent	solvent	

No.	Part No.	Description	Specification	Remark
579	AE00060	paint	4534	
580	MC00836	top cover	CYCLONE-PWR 1.2*190*208.5_V1.0	
581	MJ00059	single light board	1.2*2135*1220 24.54kg	
582	MG00027	screw	M3*12	