

Service Manual

Model: DJM-3 (2-CHANNEL VCA-CONTROLLED DJ MIXIER)



www.altoproaudio.com

Version: 1.1

CONTENTS

- 1. Specification**
- 2. Block Diagram**
- 3. Schematic Diagram**
- 4. Printed Circuit Board**
- 5. Wiring Diagram**
- ~~**6. Test Procedure**~~
- 7. Electrical Parts List**
- 8. Exploded Views & Mechanical Parts List**
- 9. Notes**

4. Technical Specifications

Model NO: DJM-3 (2-CHANNEL MIXER)

AUDIO INPUTS

Mic Input
Phono Inputs 1 and 2
Line Inputs 1 and 2
Return

40dB gain, servo-balanced
40dB gain@1kHz, unbalanced
0dB gain, unbalanced
0dB gain, unbalanced

AUDIO OUTPUTS

Main Out
Tape Out
Send
Headphones

max +21dBu
typically 0dBu
typically 0dBu
typically 125mW@ 1% THD

EQUALIZER(+/-8dB)

Stereo Bass
Stereo Middle
Stereo Treble
Stereo Bass
Stereo Treble

+15dB/-30dB@50Hz
+15dB/-30dB@2.5KHz
+15dB/-30dB@10KHz
+15dB/-15dB@30Hz
+15dB/-15dB@20KHz

GENERAL

Signal-to-Noise ratio(S/N)
Crosstalk
Distortion(THD)
Frequency Response
Input Gain Adjustment

90dB(LINE)
70 dB±3dB(LINE)
<0.1%
20Hz-20KHz (±2dB)
-20dB - +9dB (±3dB)

POWER SUPPLY

Main voltage

Power Consumption
Fuse

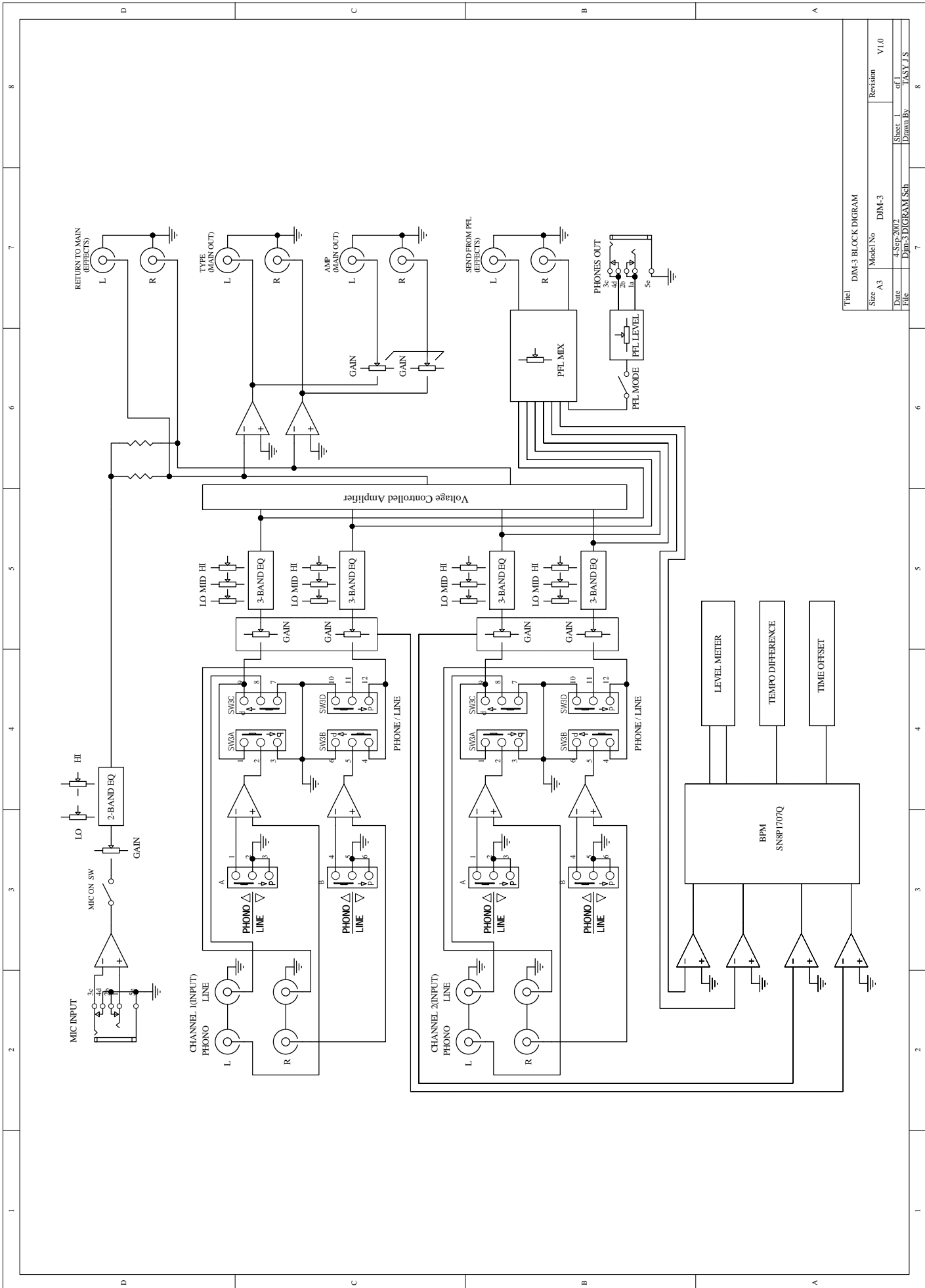
Main connection

USA/Canada 100-120V~, 60Hz
Europe 210-230V~, 50Hz
U.K./Australia 240V~, 50Hz
12watts
95-120V~ : T400mAL
210-240V~ : T200mAL
Standard IEC receptacle

DIMENSIONS AND WEIGHT

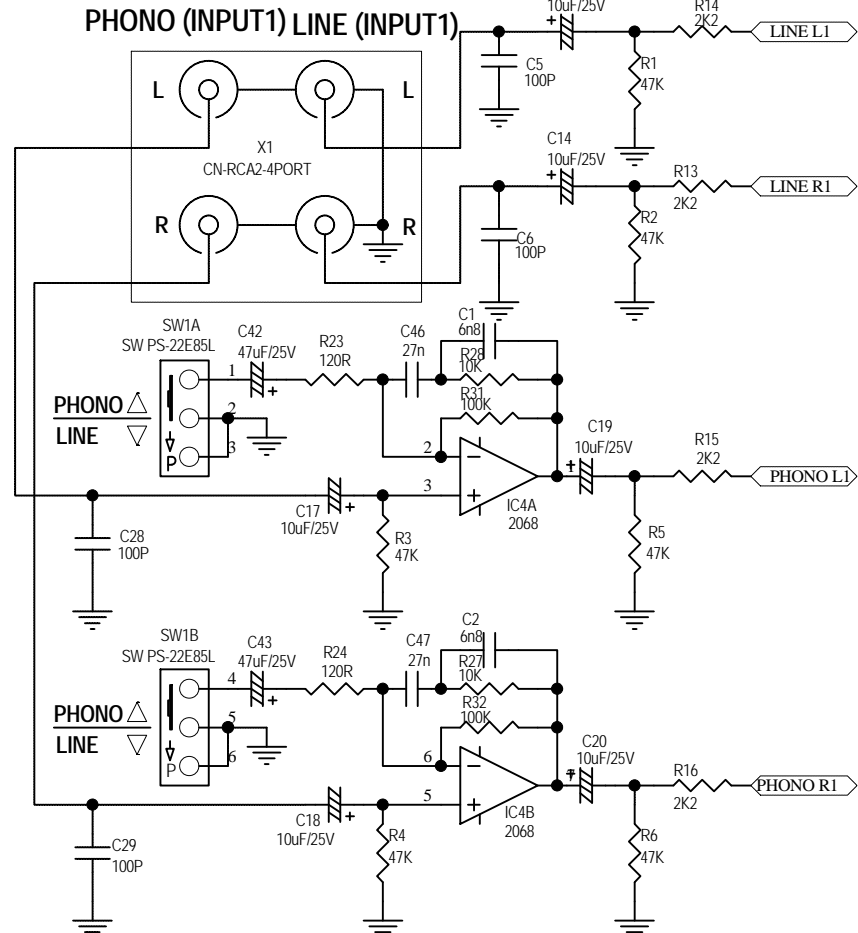
Dimension
weight

248(L)×245(W)×76.6(H)mm (9.8"×9.6"×3.0")
2.9Kg (6.39lb)

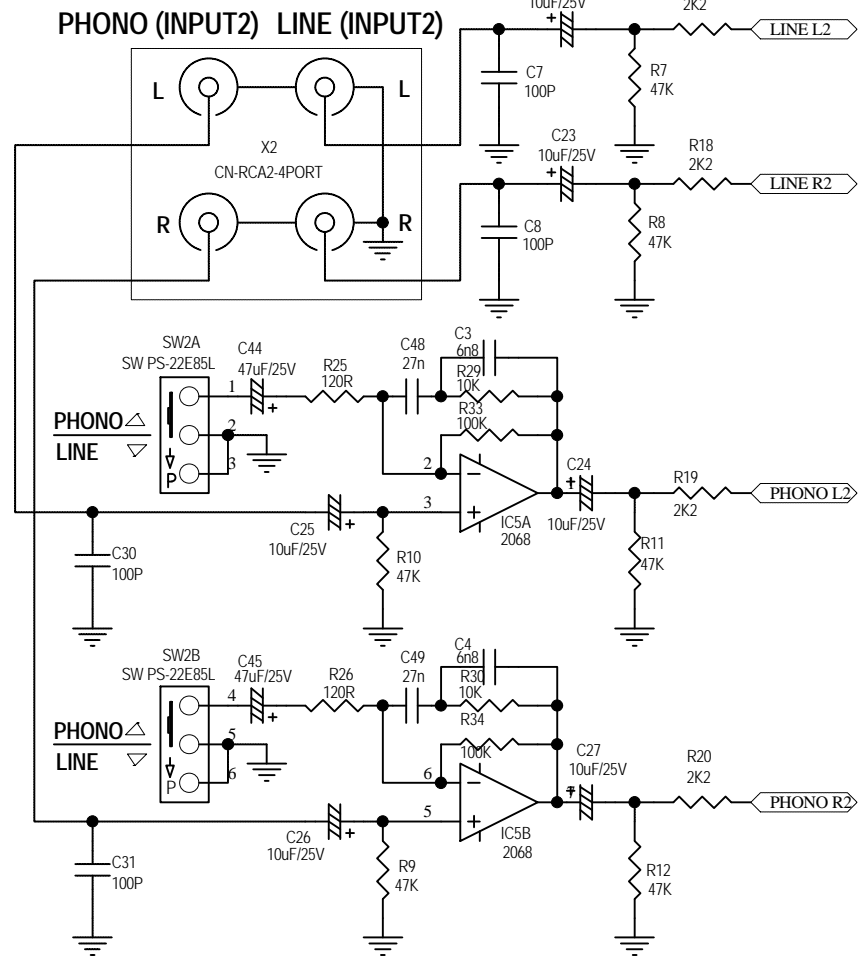


Title	DIM-3 BLOCK DIAGRAM
Size	A3
Model No	DIM-3
Revision	V1.0
Date	4-Sep-2002
File	Dim-3.DIGRAM.Sch
Sheet 1 of 1	
Drawn By	JASY.J.S

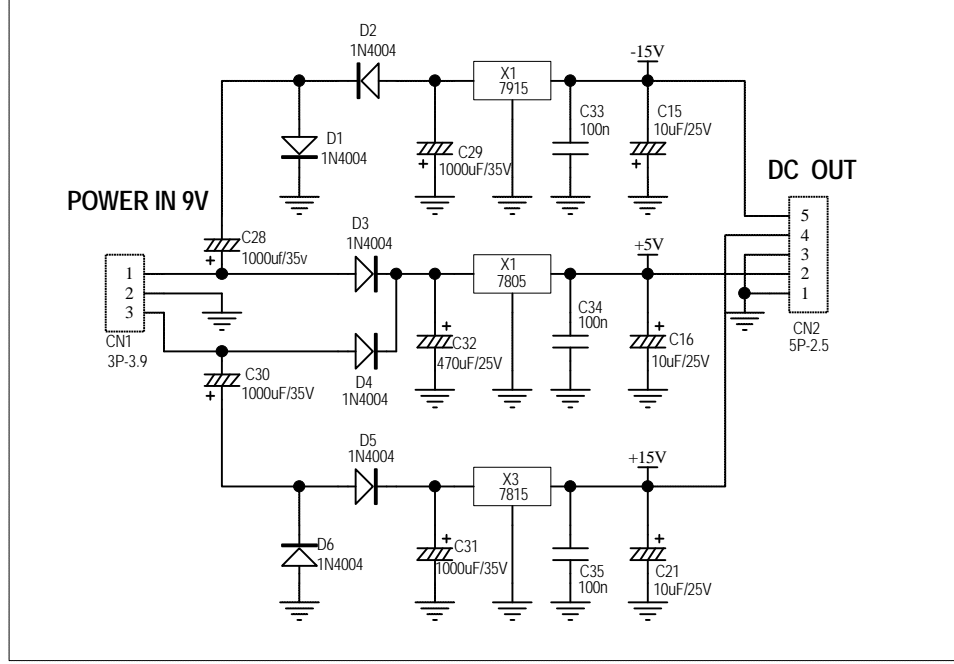
CHANNEL 1



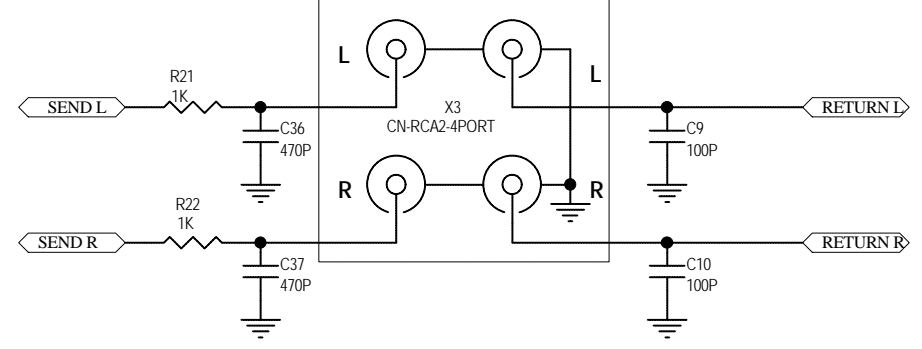
CHANNEL 2



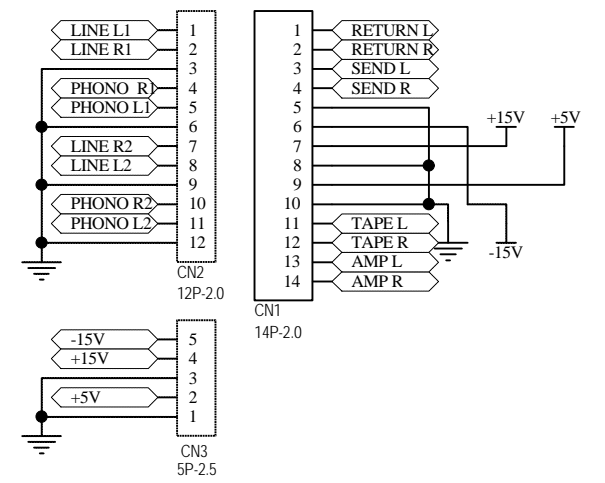
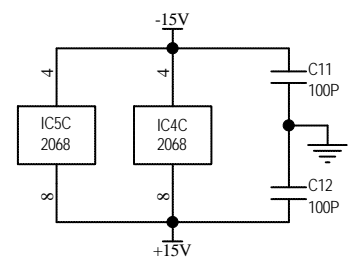
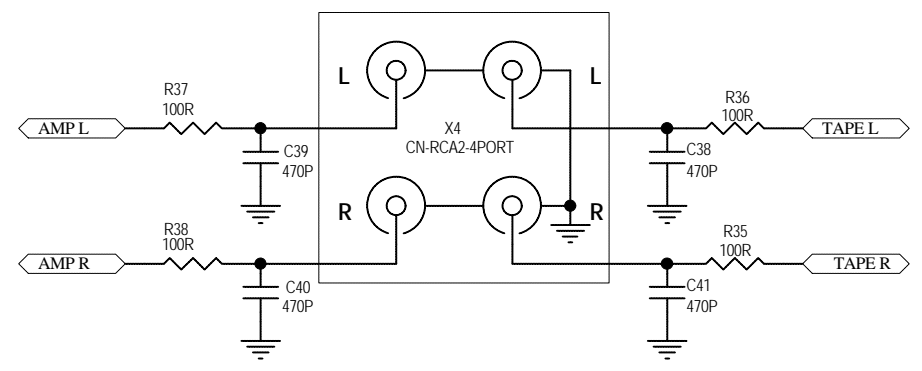
DJM3-PWR



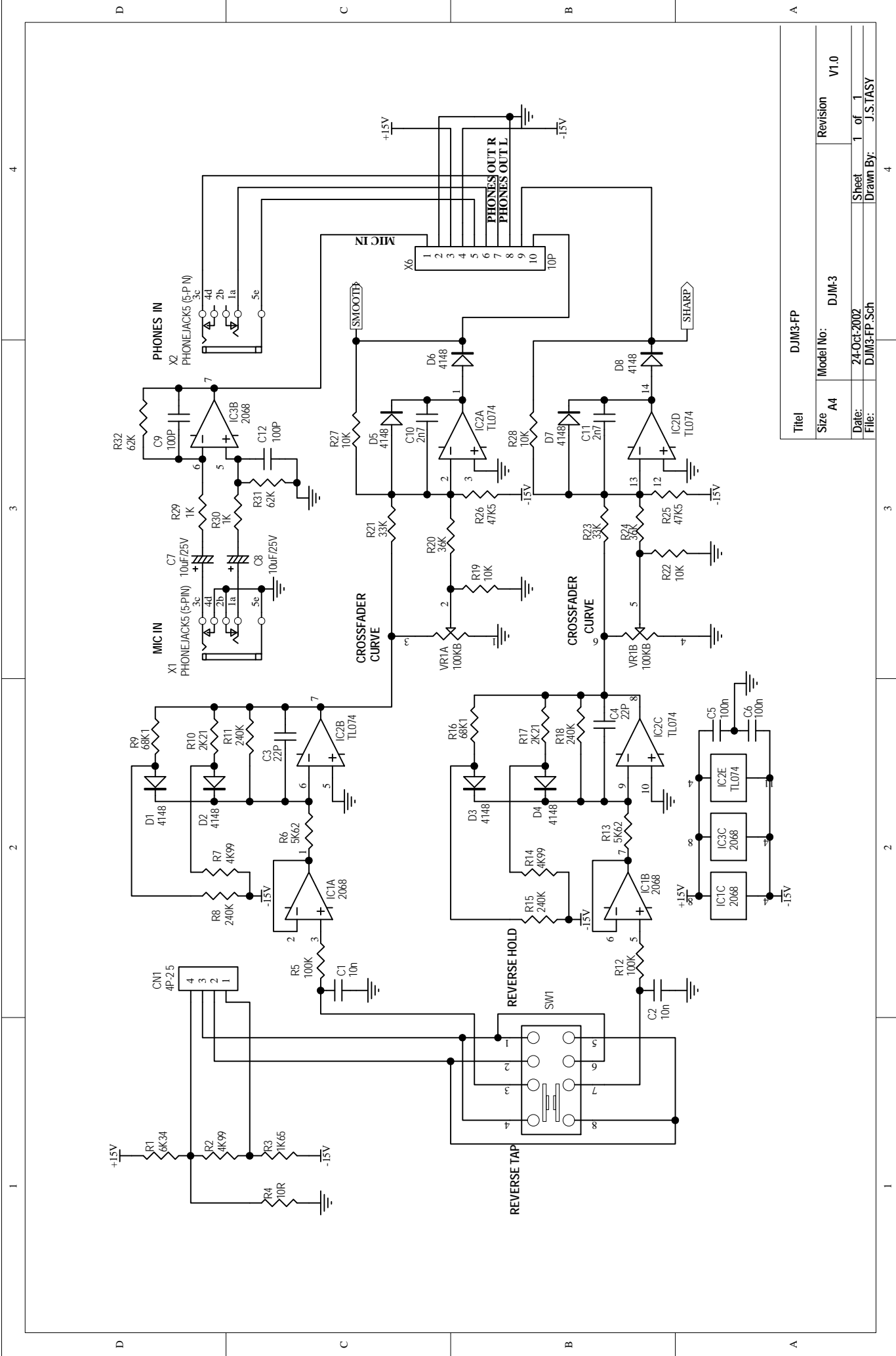
SEND FROM PFL(EFFECTS) RETURN TO MAIN(EFFECTS)



AMP (MAIN OUT) TAPE (MAIN OUT)



Titel			DJM3-PU & DJM3-PWR		
Size	Model No:			Revision	V1.0
A3	DJM-3				
Date:	24-Oct-2002	Sheet	1 of 1		
File:	DJM3-PU.SCH	Drawn By:	J.S.TASY		



Title	DJM3-FP		
Size	A4	Model No:	DJM-3
Date:	24-Oct-2002	Revision	V1.0
File:	DJM3-FP.Sch	Sheet	1 of 1
		Drawn By:	J.S.FASY

4

3

2

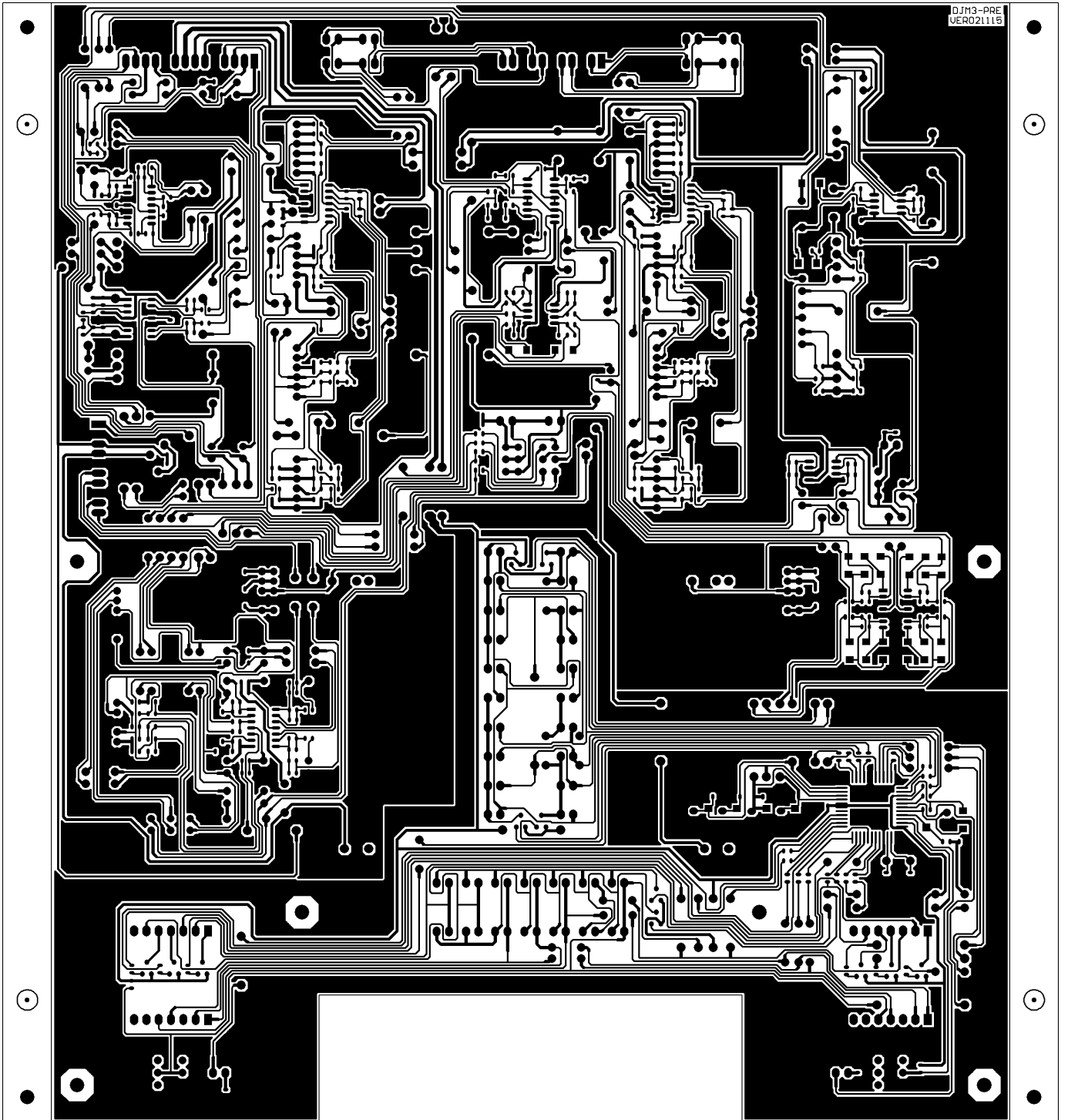
1

4

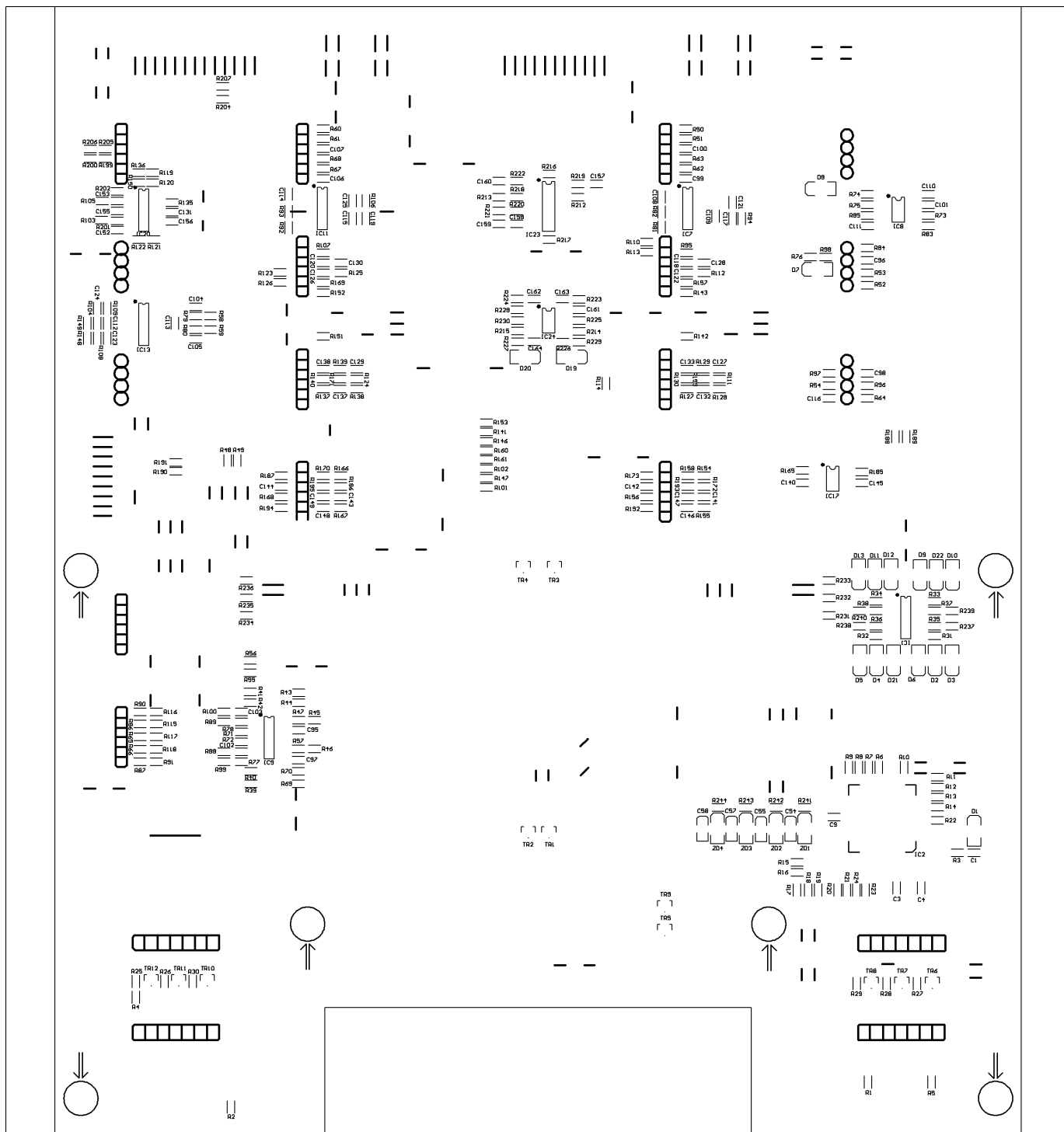
3

2

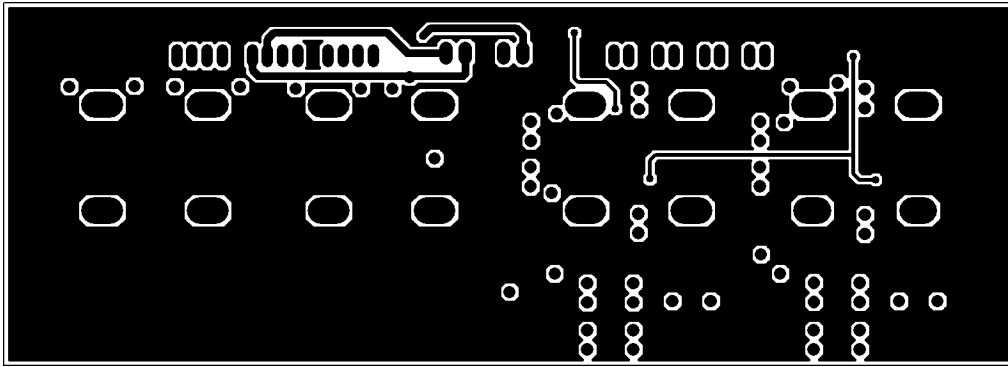
1



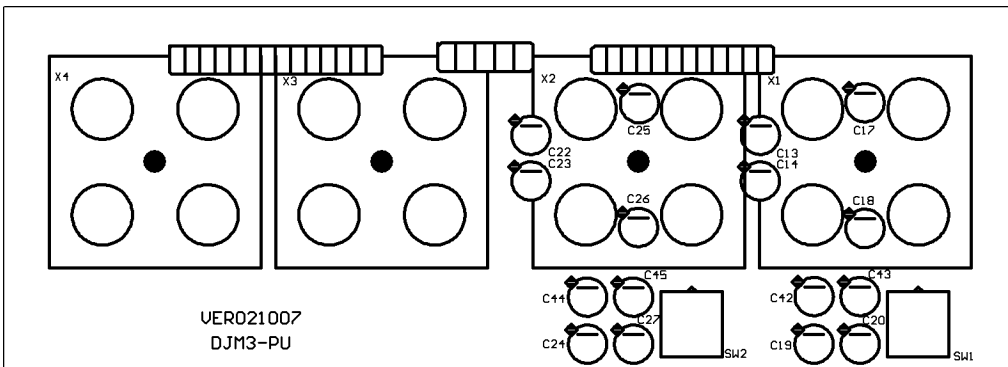
PCB : DJM3-PRE Bottom Layer



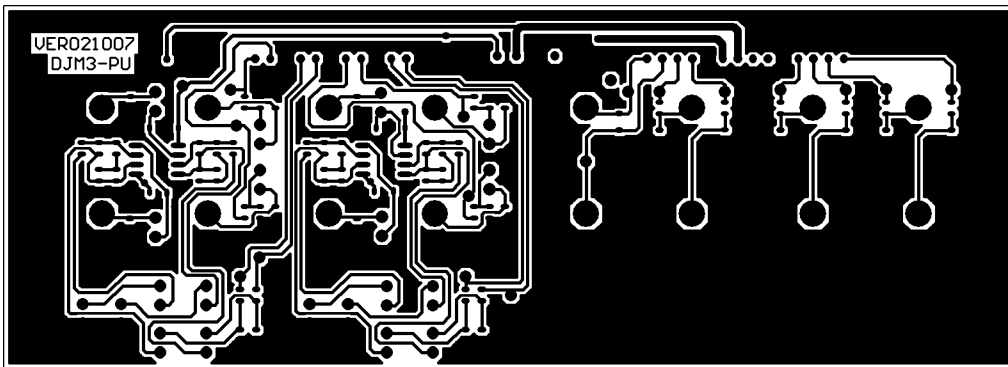
PCB : DJM3-PRE Bottom Overlay



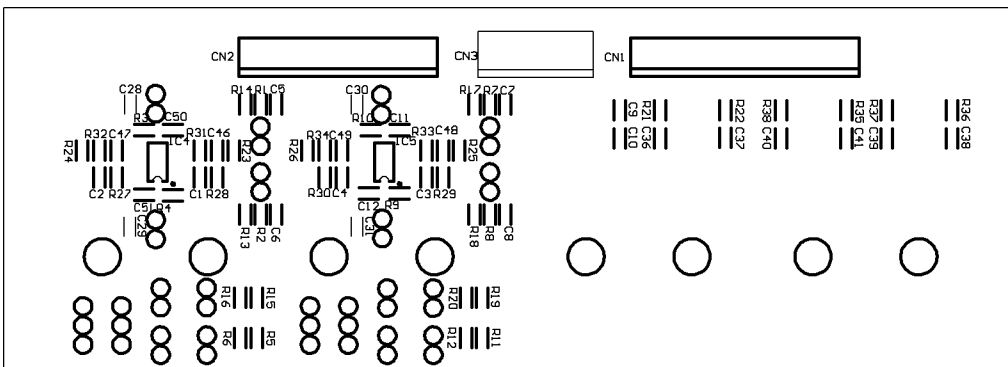
PCB : DJM3-PU Top Layer



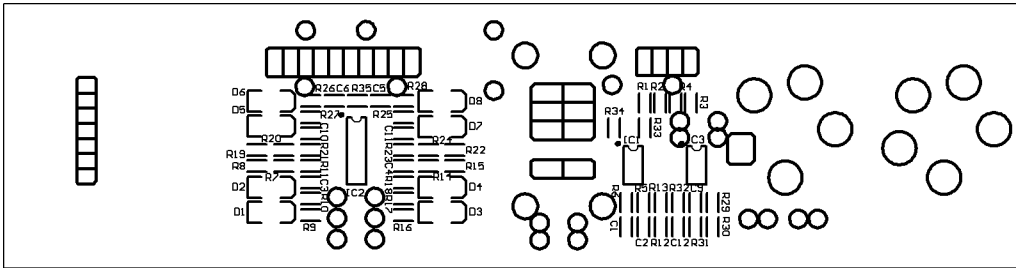
PCB : DJM3-PU Top Overlay



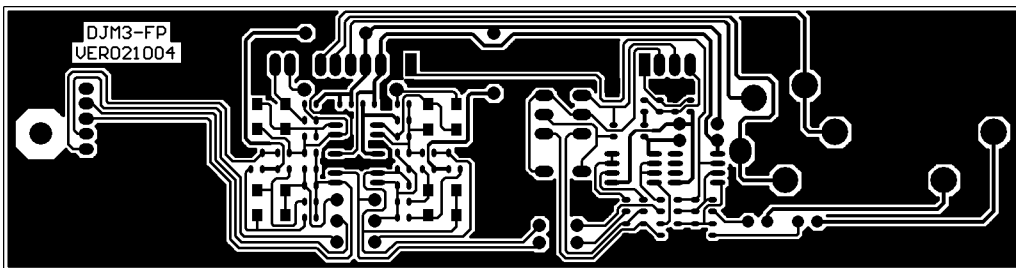
PCB : DJM3-PU Bottom Layer



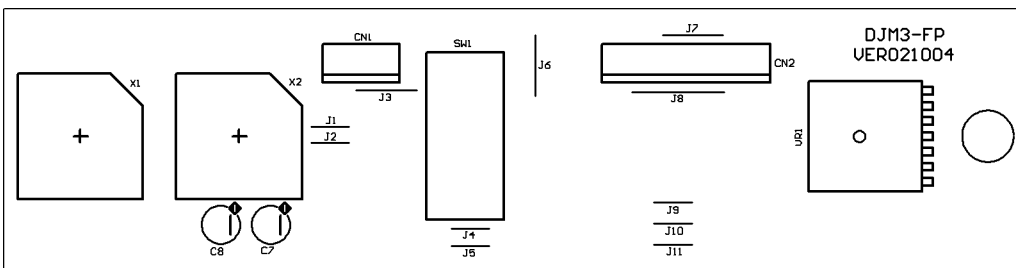
PCB : DJM3-PU Bottom Overlay



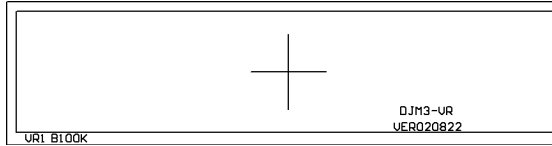
PCB : DJM3-FP Bottom Overlay



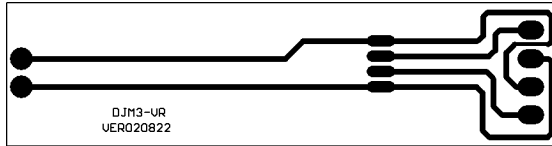
PCB : DJM3-FP Bottom Layer



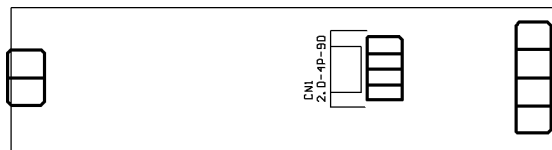
PCB : DJM3-FP Top Overlay



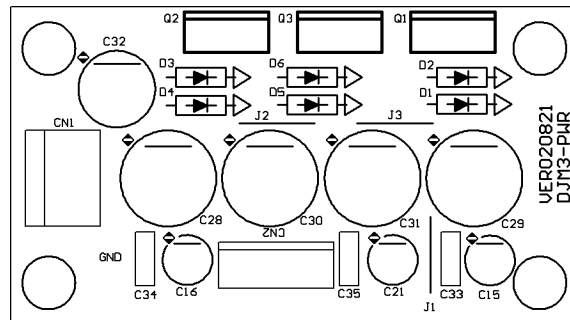
PCB : DJM3-VR Top Overlay



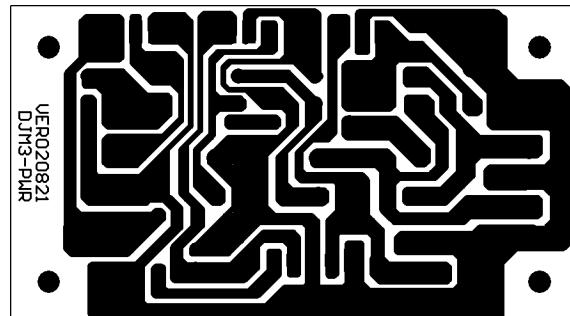
PCB : DJM3-VR Bottom Layer



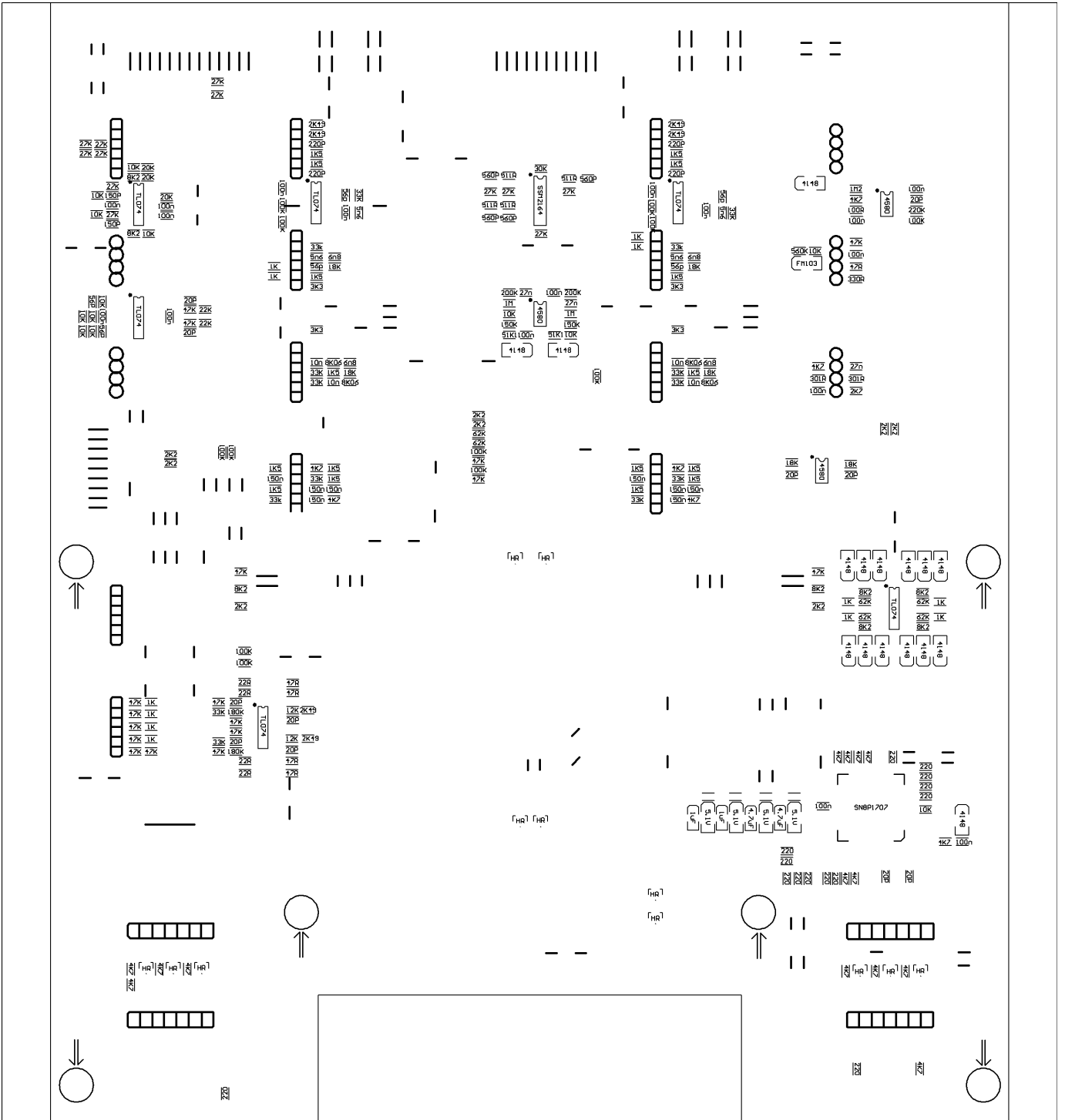
PCB : DJM3-VR Bottom Overlay

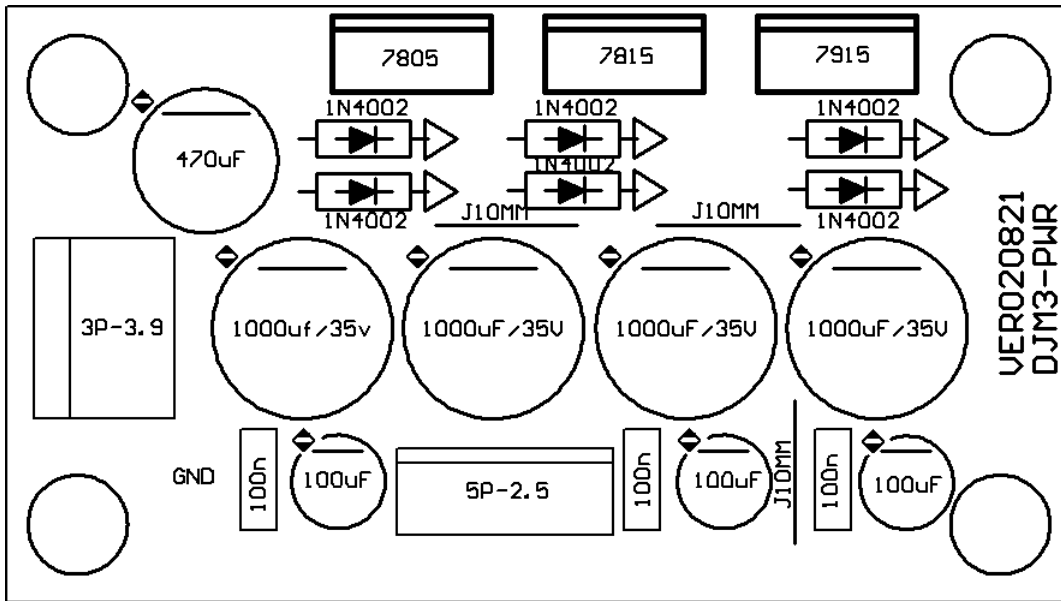


PCB : DJM3-PWR Top Overlay

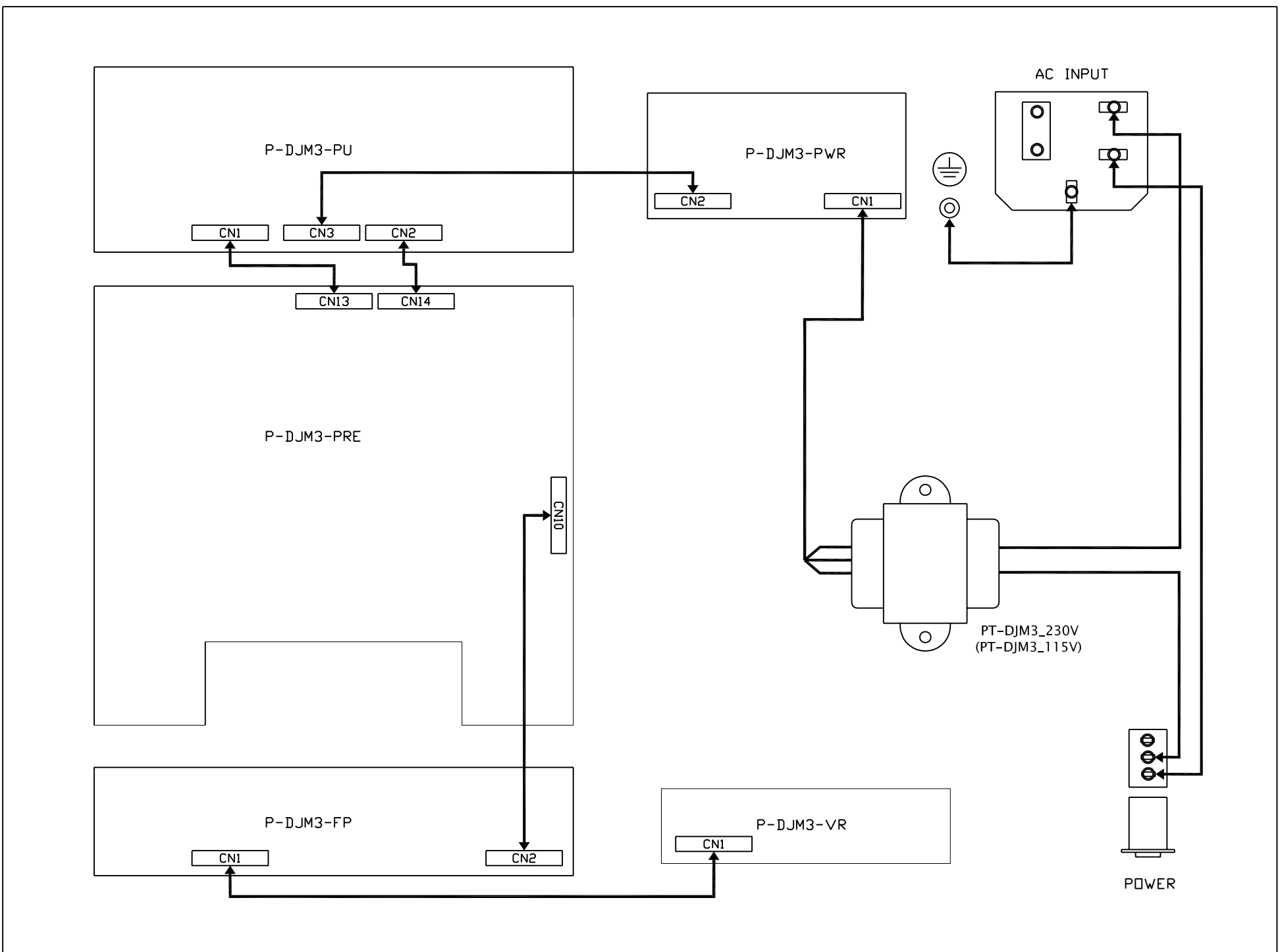


PCB : DJM3-PWR Bottom Layer





5. DJM-3 WIRE CONFIGURATION (全機配線圖)



SEKAKU ELECTRON INDUSTRY CO.,LTD

IEBO_P02

IEBO_P02

Multi-Level BOM Structure Listing

Report No.: IEBO_P02
 Prepared by 000011[YAFEN]
 Item No. PF00671 Version

Date 2003/09/04
 Page No.: 1/20

UNIT: PCS
 Date: 2002/10/30

DESCRIPTION DJM-3
 DJM-3_ALTO_230V_歐規_無

Version	Item No	Loss %	Ver.	Unit	Cardinal Usage Rate	Effective Date @:Phantom Layer
0001-----	MA03603 panel			PCS	1.0000 1	2002/10/30 Y
0002-----	DJM-3 ALTO MI01512 side board			PCS	0.00 % 1.0000 1	% 2002/10/30 Y
0003-----	DJM-3 ALTO MI01509 side board			PCS	0.00 % 1.0000 1	% 2002/10/30 Y
0004-----	DJM-3 ALTO MJ01081 fixed board			PCS	0.00 % 1.0000 1	% 2002/10/30 Y
0005-----	DJM-3 ALTO NI00826 plastic knob 12*18 double color			PCS	0.00 % 16.0000 1	% 2002/10/30 Y
0006-----	HI00019 power switch 4P MSR-8			PCS	1.0000 1	2002/10/30 Y
0007-----	HD00023 fuse(T) 200mA 250V 5.2*20mm CSA/S/UL/VDE			PCS	1.0000 1	2002/10/30 Y
0008-----	TC00133 transformer PT-DJM3_230V			PCS	1.0000 1	2002/10/30 Y
0009-----	HA01835 wire UL1617 22AWG 80mm brown			PCS	1.0000 1	2002/10/30 Y
0010-----	HA01174 wire CF:W146 80 green/yellow			PCS	1.0000 1	2002/10/30 Y
0011-----	MH01448 horizontal switch handle 5*20mm black LF20BK			PCS	2.0000 1	2002/10/30 Y
0012-----	NI01164 slide trough 3.7*12*70 DJ-MIX			PCS	2.0000 1	2002/10/30 Y
0013-----	NI02596 knob 17*10*11(C-B2) black			PCS	3.0000 1	2003/04/04 Y
0014-----	NI01183 key 7.5*13 black			PCS	5.0000 1	2002/10/30 Y
0015-----	NI00498 foot cushion 12.7*7*6mm(SF-005)			PCS	4.0000 1	2002/10/30 Y

Multi-Level BOM Structure Listing

Report No.: IEBO_P02
 Prepared by 000011[YAFEN]
 Item No. PF00671 Version
 DESCRIPTIO DJM-3

UNIT: PCS
 Date: 2002/10/30

Date 2003/09/04
 Page No.: 2/20

DJM-3_ALTO_230V_歐規_無

Version	Item No	Loss %	Ver.	Unit	Cardinal Usage Rate	Effective Date @:Phantom Layer
0016-----	NI01587 cushion 73*29*2.2 black			PCS	1.0000 1 0.00 %	2002/10/30 Y
0017-----	NI02215 switch 32*29*12 DJM-3			PCS	1.0000 1 0.00 %	2002/10/30 Y
0018-----	HC00008 AC outlet 3515 A TYPE(RF-2004-C-4.8)			PCS	1.0000 1 0.00 %	2002/10/30 Y
0019-----	NI01862 key 5.5*5.5*14.5			PCS	2.0000 1 0.00 %	2002/10/30 Y
0020-----	NI01863 key 5.5*W10*7.5 black			PCS	2.0000 1 0.00 %	2002/10/30 Y
0021-----	NI00261 sleeving flame retardant 5*20mm			PCS	5.0000 1 0.00 %	2002/10/30 Y
0022-----	NI02084 plastic knob 10.5*18			PCS	1.0000 1 0.00 %	2002/10/30 Y
0023-----	MG00324 copper pillar M3*24.5*0.5PH			PCS	1.0000 1 0.00 %	2002/10/30 Y
0024-----	HA00861 power cord Europe 3P LT-312+0.75*3C(H05VV-F) 6FT+LT-501			PCS	1.0000 1 0.00 %	2002/10/30 Y
0025-----	MF00018 colour washer 4* 10*1t			PCS	4.0000 1 0.00 %	2002/10/30 Y
0026-----	MG00104 colour screw M4*10			PCS	2.0000 1 0.00 %	2002/10/30 Y
0027-----	NF01037 instruction-english DJM-3 ALTO			PCS	1.0000 1 0.00 %	2002/10/30 Y
0028-----	NF00061 assurance card ALTO			PCS	1.0000 1 0.00 %	2002/10/30 Y
0029-----	ND00037 nonwoven 77*21*0.3 black			PCS	3.0000 1 0.00 %	2002/10/30 Y
0030-----	ND00036 nonwoven 30* 5*0.5 black			PCS	2.0000 1 0.00 %	2002/10/30 Y

Multi-Level BOM Structure Listing

Report No.: IEBO_P02
 Prepared by 000011[YAFEN]
 Item No. PF00671 Version
 DESCRIPTIO DJM-3

Date 2003/09/04
 Page No.: 3/20

UNIT: PCS
 Date: 2002/10/30

DJM-3_ALTO_230V_歐規_無

Version	Item No	Loss %	Ver.	Unit	Cardinal Usage Rate	Effective Date @:Phantom Layer
0031-----	ND00216 non-woven 15*30(2016B)			PCS	3.0000 1 0.00 %	2002/10/30 Y
0032-----	ME00060 MIC socket nut-HC00125 Appendix JY-6351G-02-250			PCS	2.0000 1 0.00 %	2002/10/30 Y
0033-----	MF00061 MIC socket washer-HC00125 JY-6351G-02-250			PCS	2.0000 1 0.00 %	2002/10/30 Y
0034-----	NE05004 label 30*11mm ALTO PF			PCS	4.0000 1 0.00 %	2002/10/30 Y
0035-----	NE10077 label 30*11mm DJM-3			PCS	4.0000 1 0.00 %	2002/10/30 Y
0036-----	MG00036 screw M3*4			PCS	24.0000 1 0.00 %	2002/10/30 Y
0037-----	MG00157 Ni screw M2.6*4			PCS	4.0000 1 0.00 %	2002/10/30 Y
0038-----	MG00172 Ni screw M4*10			PCS	2.0000 1 0.00 %	2002/10/30 Y
0039-----	MF00048 washer 4* 8*0.5t			PCS	3.0000 1 0.00 %	2002/10/30 Y
0040-----	MG00064 screw M3*10			PCS	4.0000 1 0.00 %	2002/10/30 Y
0041-----	MG00281 Ni screw M3*6			PCS	2.0000 1 0.00 %	2002/10/30 Y
0042-----	MG00323 screw M3*6			PCS	6.0000 1 0.00 %	2003/05/11 Y
0043-----	MG00042 screw M3*10			PCS	2.0000 1 0.00 %	2002/10/30 Y
0044-----	MF00038 spring washer 4* 7*1t			PCS	1.0000 1 0.00 %	2002/10/30 Y
0045-----	ME00016 colour nut 4m/m			PCS	3.0000 1 0.00 %	2002/10/30 Y

Multi-Level BOM Structure Listing

Report No.: IEBO_P02
 Prepared by 000011[YAFEN]
 Item No. PF00671 Version
 DESCRIPTIO DJM-3

Date 2003/09/04
 Page No.: 4/20

UNIT: PCS
 Date: 2002/10/30

DJM-3_ALTO_230V_歐規_無

Version	Item No	Loss %	Ver.	Unit	Cardinal Usage Rate	Effective Date @:Phantom Layer
0046-----	MJ01027 heat-sink			PCS	1.0000 1	2002/10/30 Y
	S-8				0.00 %	
0047-----	NI02249 caushion			PCS	3.0000 1	2002/10/30 Y
	TW-1(TO-220)				0.00 %	
0048-----	NC00022 silicone insulation			PCS	1.0000 1	2002/11/20 Y
	0.3t*18*45mm S-8				0.00 %	
0049-----	MG00162 Ni screw			PCS	3.0000 1	2002/10/30 Y
	M3*8				0.00 %	
0050-----	ME00015 colour nut			PCS	2.0000 1	2002/10/30 Y
	3m/m				0.00 %	
0051-----	MF00037 spring washer			PCS	5.0000 1	2003/07/24 Y
	3* 5*1t				0.00 %	
0052-----	MF00004 colour washer			PCS	14.0000 1	2003/05/31 Y
	9* 14*0.5t				0.00 %	
0053-----	ME00006 R.S nut			PCS	14.0000 1	2003/05/31 Y
	9				0.00 %	
0054-----	HA01554 header wiring AF:W323			PCS	1.0000 1	2002/10/30 Y
	5P-5P 120				0.00 %	
0055-----	NI01169 display board			PCS	2.0000 1	2002/10/30 Y
	32*23.5*2.5t 187C red				0.00 %	
0056-----	HJ00006 desiccant			PCS	1.0000 1	2002/10/30 Y
	30g				0.00 %	
0057-----	NA00125 PE bag			PCS	1.0000 1	2002/10/30 Y
	0.04t*580*400mm		KG		0.00 %	
0058-----	NI00218 cable tie-black			PCS	3.0000 1	2002/10/30 Y
	ALT-102SB				0.00 %	
0059-----	MI01617 fixed bracket			PCS	1.0000 1	2002/11/02 Y
	70*36*20mm DJM-3				0.00 %	
0060-----	MB02444 bottom board			PCS	1.0000 1	2002/11/02 Y
	DJM-3				0.00 %	

Multi-Level BOM Structure Listing

Report No.: IEBO_P02
 Prepared by 000011[YAFEN]
 Item No. PF00671 Version
 DESCRIPTIO DJM-3

Date 2003/09/04
 Page No.: 5/20

UNIT: PCS
 Date: 2002/10/30

DJM-3_ALTO_230V_歐規_無

Version	Item No	Loss %	Ver.	Unit	Cardinal Usage Rate	Effective Date @:Phantom Layer
0001-----	MB02442 bottom board DJM-3			PCS	1.0000 1 0.00 %	2003/01/12 N
0061-----	MI01506 front board DJM-3			PCS	1.0000 1 0.00 %	2002/11/02 Y
0062-----	HK03277 K-PCB P-DJM3-PRE-DIP			PCS	1.0000 1 0.00 %	2002/11/02 Y
0001-----	CB00004 electrotytic capacitor 0.47uF/50V 4*7mm C37			PCS	1.0000 1 0.00 %	2002/10/30 Y
0002-----	CB00009 electrolytic capacitor 1uF/50V 4*7mm C48			PCS	1.0000 1 0.00 %	2002/10/30 Y
0003-----	CB00112 electrotytic capacitor 10uF/35V 105 4*7mm C2 C29 C30 C33 C34 C35 C38 C39 C40 C41 C42 C43 C44 C45 C46 C47 C49 C50 C51 C52 C53 C59 C60 C62 C63			PCS	25.0000 1 0.00 %	2002/10/30 Y
0004-----	CB00039 electrotytic capacitor 47uF/25V 5*11mm C25 C26 C27 C28 C31C32 C36			PCS	7.0000 1 0.00 %	2002/10/30 Y
0005-----	CB00062 electrotytic capacitor 220uF/6.3V 6*7mm C56 C61			PCS	2.0000 1 0.00 %	2002/10/30 Y
0006-----	SC00130 quartz crystalloid LP-3.5S(HC-49US) 8.00MHZ X1			PCS	1.0000 1 0.00 %	2002/10/30 Y
0007-----	HA02084 header wiring AF:W359 10P(male)-10P(female) 220mm CN10			PCS	1.0000 1 0.00 %	2002/10/30 Y
0008-----	HA02078 header wiring AF:W360 12P-12P 220 CN13			PCS	1.0000 1 0.00 %	2002/10/30 Y
0009-----	HA02171 header wiring JST2.0 14P-14P JST2.0 14P(male)-14P(mother) AWG28 UL1 CN14			PCS	1.0000 1 0.00 %	2002/12/27 Y

Multi-Level BOM Structure Listing

Report No.: IEBO_P02
 Prepared by 000011[YAFEN]
 Item No. PF00671 Version
 DESCRIPTIO DJM-3

Date 2003/09/04
 Page No.: 6/20

UNIT: PCS
 Date: 2002/10/30

DJM-3_ALTO_230V_歐規_無

Version	Item No	Loss %	Ver.	Unit	Cardinal Usage Rate	Effective Date @:Phantom Layer
0010-----	HI00162 push switch 2 paragraphs 6p PS-22E8552L(3.3x3.3) SW7 SW8			PCS	2.0000 1 0.00 %	2002/10/30 Y
0011-----	HI00163 push switch 2paragraphs12P PS-42E85L(3.3x3.3) SW6			PCS	1.0000 1 0.00 %	2002/10/30 Y
0012-----	SA00053 L.E.D high intensity 3m/m round(red)long foot 26mm LED13 LED18 LED33 LED26 LD3			PCS	5.0000 1 0.00 %	2002/11/20 Y
0013-----	SA00054 L.E.D high intensity 3m/m round(yellow)long foot 26 LED14 LED15 LED16 LED19 LED20 LED21 LED25 LED27 LED32 LED34			PCS	10.0000 1 0.00 %	2002/10/30 Y
0014-----	SA00052 L.E.D high intensity 3m/m round(green)long foot 26 LD1 LD2 LD4 LED17 LED3 LED4 LED5 LED6 LED7 LED22 LED8 LED9 LED10 LED11 LED12 LED23 LED24 LED28 LED29 LED30 LED31 LED35 LED36 LED1 LED2			PCS	25.0000 1 0.00 %	2003/03/10 Y
0015-----	NI01768 LEDseparating pillar LEDS-16 16mm			PCS	40.0000 1 0.00 %	2002/10/30 Y
0016-----	HI00076 lever switch SL10050-0402-9P-SN SW3 SW4			PCS	2.0000 1 0.00 %	2002/10/30 Y
0017-----	HI00177 push switch 2paragraphs 6P PS-22E8552N(3.3*3.3)NO LOCK SW1 SW2			PCS	2.0000 1 0.00 %	2002/10/30 Y
0018-----	RC00266 slide potentiometer FA4544-20-25C1-B100K-0021 VR17 VR18			PCS	2.0000 1 0.00 %	2002/10/30 Y
0019-----	RC00209 potentiometer A10K RV110-40E1-225A-A14 VR12			PCS	1.0000 1 0.00 %	2002/10/30 Y
0020-----	RC00248 potentiometer A1K RV110-40E1-225A-A1K VR13			PCS	1.0000 1 0.00 %	2002/10/30 Y
0021-----	RC00253				1.0000	2002/10/30

Multi-Level BOM Structure Listing

Report No.: IEBO_P02
 Prepared by 000011[YAFEN]
 Item No. PF00671 Version
 DESCRIPTION DJM-3
 DJM-3_ALTO_230V_歐規_無

Date 2003/09/04
 Page No.: 7/20

UNIT: PCS
 Date: 2002/10/30

Version	Item No Item Description	Loss %	Ver.	Unit	Cardinal Usage Rate Attrition Rate	Effective Date @:Phantom Layer
	potentiometer A10K RV112B-40E1-225A-A10K VR4			PCS	1 0.00 %	Y
0022-----	RC00254 potentiometer C10K RV112B-40E1-225A-C10K VR1 VR5			PCS	2.0000 1 0.00 %	2002/10/30 Y
0023-----	RC00251 potentiometer B20K RV112B-40E1-225A-B20K-0C VR8			PCS	1.0000 1 0.00 %	2002/10/30 Y
0024-----	RC00246 potentiometer C20K RV110-40E1-225A-C20K-0C VR2 VR7			PCS	2.0000 1 0.00 %	2002/10/30 Y
0025-----	RC00247 potentiometer B50K RV110-40E1-225A-B50K VR9			PCS	1.0000 1 0.00 %	2002/10/30 Y
0026-----	RC00252 potentiometer B50K RV112B-40E1-225A-B50K VR3			PCS	1.0000 1 0.00 %	2002/10/30 Y
0027-----	RC00250 potentiometer E50K RV112B-40E1-225A-E50K-0C VR10 VR11 VR14 VR15 VR16 VR6			PCS	6.0000 1 0.00 %	2002/10/30 Y
0028-----	HI00183 slide switch SS-23D14(2P3T) SW13 SW14			PCS	2.0000 1 0.00 %	2002/10/30 Y
0029-----	HI00184 slide switch SS-22H23(2P2T) SW5			PCS	1.0000 1 0.00 %	2002/10/30 Y
0030-----	HB00763 pc board DJM3-LED(1*25)_VER020823			PCS	2.0000 1 0.00 %	2002/10/30 Y
0031-----	HH00015 Triple Digit LED Display(0.36 Inch) LTD3164-10 LD1			PCS	2.0000 1 0.00 %	2002/10/30 Y
0032-----	HC00438 row pin 2.54 180° 6P 15mm 3/9/3mm CN1 CN2			PCS	4.0000 1 0.00 %	2002/10/30 Y

Multi-Level BOM Structure Listing

Report No.: IEBO_P02
 Prepared by 000011[YAFEN]
 Item No. PF00671 Version
 DESCRIPTION DJM-3

Date 2003/09/04
 Page No.: 8/20

UNIT: PCS
 Date: 2002/10/30

DJM-3_ALTO_230V_歐規_無

Version	Item No	Loss %	Ver.	Unit	Cardinal Usage Rate	Effective Date @:Phantom Layer
0033-----	HK04063 PC board			PCS	1.0000 1	2003/07/28
0001-----	P-DJM3-PRE-AI HK03276 K-PCB			PCS	0.00 % 1.0000 1	% 2003/07/25 Y
0001-----	P-DJM3-PRE-SMD HB00758 PC board			PCS	0.00 % 1.0000 1	% 2002/10/30 Y
0002-----	DJM3-PRE_VER021115 RD00063 SMDfixed resistor 1/10W			PCS	0.00 % 4.0000 1	% 2002/10/30 Y
	22 ±5% 0603 R39 R40 R41 R42				0.00 %	%
0003-----	RD00065 SMDfixed resistor 1/10W			PCS	5.0000 1	2002/10/30 Y
	47 ±5% 0603 R43 R44 R53 R69 R70				0.00 %	%
0004-----	RD00068 SMDfixed resistor 1/10W			PCS	1.0000 1	2002/10/30 Y
	100 ±5% 0603 R85				0.00 %	%
0005-----	RD00073 SMDfixed resistor 1/10W			PCS	14.0000 1	2002/10/30 Y
	220 ±5% 0603 R1 R10 R11 R12 R13 R14 R15 R16 R17 R18 R19 R2 R20 R21				0.00 %	%
0006-----	RD00076 SMDfixed resistor 1/10W			PCS	1.0000 1	2002/10/30 Y
	330 ±5% 0603 R52				0.00 %	%
0007-----	RD00083 SMDfixed resistor 1/10W			PCS	12.0000 1	2002/10/30 Y
	1.0K ±5% 0603 R110 R113 R115 R116 R117 R118 R123 R126 R237 R238 R239 R240				0.00 %	%
0008-----	RD00085 SMDfixed resistor 1/10W			PCS	16.0000 1	2002/10/30 Y
	1.5K ±5% 0603 R154R156 R157 R159 R166 R168 R169 R171 R172 R173 R186 R187 R62 R63 R67 R68				0.00 %	%
0009-----	RD00088 SMDfixed resistor 1/10W			PCS	8.0000 1	2002/10/30 Y
	2.2K ±5% 0603 R141 R153 R188 R189 R190 R191 R231 R234				0.00 %	%
0010-----	RD00089 SMDfixed resistor 1/10W			PCS	1.0000 1	2002/10/30 Y
	2.7K ±5% 0603 R64				0.00 %	%

Multi-Level BOM Structure Listing

Report No.: IEBO_P02
 Prepared by 000011[YAFEN]
 Item No. PF00671 Version
 DESCRIPTIO DJM-3

Date 2003/09/04
 Page No.: 9/20

UNIT: PCS
 Date: 2002/10/30

DJM-3_ALTO_230V_歐規_無

Version	Item No	Loss %	Ver.	Unit	Cardinal	Effective Date
Component Remark	Item Description				Usage Rate	@:Phantom Layer
					Attrition Rate	
0011-----	RD00091				4.0000	2002/10/30
	SMDfixed resistor 1/10W			PCS	1	Y
	3.3K ±5% 0603				0.00 %	
	R142 R143 R151 R152					
0012-----	RD00093				21.0000	2002/10/30
	SMDfixed resistor 1/10W			PCS	1	Y
	4.7K ±5% 0603				0.00 %	
	R155 R158 R167 R170 R23 R24 R25 R26 R27 R28 R29 R3 R30 R4 R5 R6 R7					
	R75 R8 R9 R97					
0013-----	RD00099				8.0000	2002/10/30
	SMDfixed resistor 1/10W			PCS	1	Y
	8.2K ±5% 0603				0.00 %	
	R122 R150 R232 R235 R31 R32 R33 R34					
0014-----	RD00101				13.0000	2002/10/30
	SMDfixed resistor 1/10W			PCS	1	Y
	10K ±5% 0603				0.00 %	
	R103 R104 R105 R108 R109 R121 R136 R148 R149 R22 R229 R230 R98					
0015-----	RD00102				2.0000	2002/10/30
	SMDfixed resistor 1/10W			PCS	1	Y
	12K ±5% 0603				0.00 %	
	R47 R57					
0016-----	RD00104				6.0000	2002/10/30
	SMDfixed resistor 1/10W			PCS	1	Y
	18K ±5% 0603				0.00 %	
	R111 R112 R124 R125 R165 R185					
0017-----	RD00306				3.0000	2002/10/30
	SMDfixed resistor 1/10W			PCS	1	Y
	20K ±5% 0603				0.00 %	
	R119 R120 R135					
0018-----	RD00105				2.0000	2002/10/30
	SMDfixed resistor 1/10W			PCS	1	Y
	22K ±5% 0603				0.00 %	
	R58 R59					
0019-----	RD00106				12.0000	2002/10/30
	SMDfixed resistor 1/10W			PCS	1	Y
	27K ±5% 0603				0.00 %	
	R199 R200 R201 R202 R204 R205 R206 R207 R212 R213 R127 R218					
0020-----	RD00107				1.0000	2002/10/30
	SMDfixed resistor 1/10W			PCS	1	Y
	30K ±5% 0603				0.00 %	
	R216					
0021-----	RD00108				14.0000	2002/10/30
	SMDfixed resistor 1/10W			PCS	1	Y
	33K ±5% 0603				0.00 %	
	R106 R107 R127 R130 R137 R140 R192 R193 R194 R195 R88 R89 R94 R95					
0022-----	RD00111				17.0000	2002/10/30

SEKAKU ELECTRON INDUSTRY CO.,LTD

IEBO_P02

IEBO_P02

Multi-Level BOM Structure Listing

Report No.: IEBO_P02
 Prepared by 000011[YAFEN]
 Item No. PF00671 Version
 DESCRIPTION DJM-3

Date 2003/09/04
 Page No.: 10/20

UNIT: PCS
 Date: 2002/10/30

DJM-3_ALTO_230V_歐規_無

Version	Item No	Loss %	Ver.	Unit	Cardinal	Effective Date
Component Remark	Item Description				Usage Rate	@:Phantom Layer
					Attrition Rate	
	SMDfixed resistor 1/10W 47K ±5% 0603			PCS	1 0.00 %	Y
	R100 R101 R102 R233 R236 R65 R66 R71 R72 R79 R80 R84 R86 R87 R90 R91 R99					
0023-----	RD00113				6.0000	2002/10/30
	SMDfixed resistor 1/10W 62K ±5% 0603			PCS	1 0.00 %	Y
	R146 R160 R35 R36 R37 R38					
0024-----	RD00116				12.0000	2002/10/30
	SMDfixed resistor 1/10W 100K ±5% 0603			PCS	1 0.00 %	Y
	R114 R147 R161 R48 R49 R55 R56 R81 R82 R83 R92 R93					
0025-----	RD00118				2.0000	2002/10/30
	SMDfixed resistor 1/10W 150K ±5% 0603			PCS	1 0.00 %	Y
	R214 R215					
0026-----	RD00424				2.0000	2002/10/30
	SMDfixed resistor 1/10W 180K ±5% 0603			PCS	1 0.00 %	Y
	R77 R78					
0027-----	RD00119				1.0000	2002/10/30
	SMDfixed resistor 1/10W 220K ±5% 0603			PCS	1 0.00 %	Y
	R73					
0028-----	RD00307				1.0000	2002/10/30
	SMDfixed resistor 1/10W 560K ±5% 0603			PCS	1 0.00 %	Y
	R76					
0029-----	RD00125				2.0000	2002/10/30
	SMDfixed resistor 1/10W 1.0M ±5% 0603			PCS	1 0.00 %	Y
	R225 R228					
0030-----	RD00395				1.0000	2002/10/30
	SMDfixed resistor 1/10W 1.2M ±5% 0603			PCS	1 0.00 %	N
	R74					
0031-----	RD00361				4.0000	2002/10/30
	SMDprecise resistor 1/10W 511 ±1% 0603			PCS	1 0.00 %	Y
	R219 R220 R221 R222					
0032-----	RD00204				6.0000	2002/10/30
	SMDprecise resistor 1/10W 2.49K ±1% 0603			PCS	1 0.00 %	Y
	R45 R46 R50 R51 R60 R61					
0033-----	RD00278				2.0000	2002/10/30
	SMDprecise resistor 1/10W			PCS	1	Y

Multi-Level BOM Structure Listing

Report No.: IEBO_P02 Date: 2003/09/04
 Prepared by: 000011[YAFEN] Page No.: 11/20
 Item No.: PF00671 Version UNIT: PCS
 DESCRIPTIO: DJM-3 Date: 2002/10/30
 DJM-3_ALTO_230V_歐規_無

Version	Item No	Loss %	Ver.	Unit	Cardinal	Effective Date
Component Remark	Item Description				Usage Rate	@:Phantom Layer
					Attrition Rate	
	301 ±1% 0603				0.00 %	
	R54 R96					
0034-----	RD00289				4.0000	2002/10/30
	SMDprecise resistor 1/10W			PCS	1	Y
	8.06K ±1% 0603				0.00 %	
	R128 R129 R138 R139					
0035-----	RD00371				2.0000	2002/10/30
	SMDprecise resistor 1/10W			PCS	1	Y
	51.1K ±1% 0603				0.00 %	
	R226 R227					
0036-----	RD00318				2.0000	2002/10/30
	SMDprecise resistor 1/10W			PCS	1	Y
	200K ±1% 0603				0.00 %	
	R223 R224					
0037-----	CI00109				11.0000	2002/10/30
	SMD0603 ceramic capacitor			PCS	1	Y
	20PF/50v NPO ±5%				0.00 %	
	C101 C102 C103 C104 C105 C140 C145 C3 C4 C95 C97					
0038-----	CI00056				6.0000	2002/10/30
	SMDceramic capacitor0603			PCS	1	Y
	56PF/50V NPO ±5%				0.00 %	
	C121 C122 C123 C124 C125 C126					
0039-----	CI00060				2.0000	2002/10/30
	SMDceramic capacitor0603			PCS	1	Y
	150PF/50V NPO ±5%				0.00 %	
	C152 C153					
0040-----	CI00061				4.0000	2002/10/30
	SMDceramic capacitor0603			PCS	1	Y
	220PF/50V NPO ±5%				0.00 %	
	C100 C106 C107 C99					
0041-----	CI00096				4.0000	2002/10/30
	SMD ceramic capacitor0603			PCS	1	Y
	560PF/50V NPO ±5 %				0.00 %	
	C157 C158 C159 C160					
0042-----	CI00091				4.0000	2002/10/30
	SMD ceramic capacitor0603			PCS	1	Y
	0.0056uF/50V X7R ±10%				0.00 %	
	C117 C118 C119 C120					
0043-----	CI00092				4.0000	2002/10/30
	SMD ceramic capacitor0603			PCS	1	Y
	0.0068uF/50V X7R ±10%				0.00 %	
	C127 C128 C129 C130					
0044-----	CI00071				4.0000	2002/10/30
	SMDceramic capacitor0603			PCS	1	Y
	0.01uF/50V X7R ±10%				0.00 %	
	C132 C133 C137 C138					

Multi-Level BOM Structure Listing

Report No.: IEBO_P02 Date: 2003/09/04
 Prepared by: 000011[YAFEN] Page No.: 12/20
 Item No.: PF00671 Version UNIT: PCS
 DESCRIPTIO: DJM-3 Date: 2002/10/30
 DJM-3_ALTO_230V_歐規_無

Version	Item No	Loss %	Ver.	Unit	Cardinal Usage Rate	Effective Date @:Phantom Layer
0045-----	CI00123 capacitor 0.027uF/-50V X7R ±10% C161 C162 C98			PCS	3.0000 1 0.00 %	2002/10/30 Y
0046-----	CI00075 SMDceramic capacitor0603 0.1uF/50V Y5V +80,-20% C1 C108 C109 C110 C111 C112 C113 C114 C115 C116 C131 C155 C156 C163 C164 C9 C96			PCS	17.0000 1 0.00 %	2002/10/30 Y
0047-----	CI00094 SMD ceramic capacitor0603 0.15uF/50V Y5V +80,-20% C141 C142 C143 C144 C146 C147 C148 C149			PCS	8.0000 1 0.00 %	2002/10/30 Y
0048-----	SE00016 SMD zener diode 1/2W 5.1V(RLZ5.1B) LL-34 ZD1 ZD2 ZD3 ZD4			PCS	4.0000 1 0.00 %	2002/10/30 Y
0049-----	SE00029 diode FM103 D7			PCS	1.0000 1 0.00 %	2002/10/30 Y
0050-----	SF00004 SMD transistor 2SA1036K(R)(MMBT3906LT1) TR1 TR10 TR11 TR12 TR2 TR3 TR4 TR5 TR6 TR7 TR8 TR9			PCS	12.0000 1 0.00 %	2002/10/30 Y
0051-----	SE00011 SMD rectifier diode RLS4148 0.5A (LL-34) D1 D10 D11 D12 D13 D19 D2 D20 D21 D22 D3 D4 D5 D6 D8 D9			PCS	16.0000 1 0.00 %	2002/10/30 Y
0052-----	SG00122 SMD integrated circuit NJM4580M-TE3 IC17 KC24 IC8			PCS	3.0000 1 0.00 %	2002/10/30 Y
0053-----	SG00001 SMD integrated circuit TL074CDT IC1 IC11 IC13 IC20 IC7 IC9			PCS	6.0000 1 0.00 %	2002/10/30 Y
0054-----	SG00131 integrated circuit SSM2164S IC23			PCS	1.0000 1 0.00 %	2002/10/30 Y
0055-----	SG00129 integrated circuit SN8P1707Q IC2			PCS	1.0000 1 0.00 %	2002/10/30 Y
0056-----	CL00002				2.0000	2002/10/30

SEKAKU ELECTRON INDUSTRY CO.,LTD

IEBO_P02

IEBO_P02

Multi-Level BOM Structure Listing

Report No.: IEBO_P02
 Prepared by 000011[YAFEN]
 Item No. PF00671 Version
 DESCRIPTION DJM-3

Date 2003/09/04
 Page No.: 13/20

UNIT: PCS
 Date: 2002/10/30

DJM-3_ALTO_230V_歐規_無

Version	Item No	Loss %	Ver.	Unit	Cardinal Usage Rate	Effective Date @:Phantom Layer
	SMD tantalum capacitor 1.0uF/16V case A C57 C58			PCS	1 0.00 %	Y
0057-----	CL00004				2.0000	2002/10/30
	SMD tantalum capacitor 4.7uF/10V case A C54 C55			PCS	1 0.00 %	Y
0002-----	HA01920				61.0000	2003/07/25
	jumper wire 6mm			PCS	1 0.00 %	Y
	J1 J10 J102 J103 J11 J116 J118 J119 J12 J120 J123 J124 J125 J126 J13 J14 J140 J142 J146 J148 J149 J15 J150 J16 J19 J2 J20 J21 J22 J23 J24 J3 J31 J32 J33 J34 J5 J56 J57 J64 J65 J66 J67 J68 J69 J72 J73 J74 J75 J8 J80 J81 J84J85 J9 J92 J93 J94 J95 J96					
0003-----	HA01922				41.0000	2003/07/25
	jumper wire 8mm			PCS	1 0.00 %	Y
	J104 J112 J113 J114 J115 J129 J130 J131 J132 J133 J151 J152 J153 J26 J27 J28 J29 J30 J39 J4 J40 J45 J46 J54 J55 J58 J59 J6 J7 J76 J77 J78 J79 J82 J86 J87 J88 J89 J90 J91 J97					
0004-----	HA01925				20.0000	2003/07/25
	jumper wire 10mm			PCS	1 0.00 %	Y
	J107 J108 J109 J117 J154 J155 J156 J157 J35 J36 J37 J38 J41 J42 J47 J48 J51 J52 J53 J83					
0005-----	HA01928				13.0000	2003/07/25
	jumper wire 12mm			PCS	1 0.00 %	Y
	J101 J122 J127 J128 J134 J135 J136 J141 J17 J18 J43 J62 J63					
0006-----	HA01930				12.0000	2003/07/25
	jumper wire 15mm			PCS	1 0.00 %	Y
	J100 J105 J106 J110 J111 J137 J138 J139 J25 J44 J49 J50					
0007-----	HA01937				10.0000	2003/07/25
	jumper wire 18mm			PCS	1 0.00 %	Y
	J121 J144 J145 J147 J60 J61 J70 JJ71 J98 J99					
0063-----	HK03278				1.0000	2002/11/02
	K-PCB			PCS	1	Y
	P-DJM3-VR					
0001-----	HB00762				1.0000	2002/10/30
	pc board			PCS	1	Y
	DJM3-VR(1*10)_VER020822					
0002-----	RC00261				1.0000	2002/10/30
	slide potentiometer			PCS	1	Y
	B100K RA45D2-211-15C1-B100K-003					

Multi-Level BOM Structure Listing

Report No.: IEBO_P02 Date: 2003/09/04
 Prepared by 000011[YAFEN] Page No.: 14/20
 Item No. PF00671 Version UNIT: PCS
 DESCRIPTIO DJM-3 Date: 2002/10/30
 DJM-3_ALTO_230V_歐規_無

Version	Item No	Loss %	Ver.	Unit	Cardinal	Effective Date
Component Remark	Item Description				Usage Rate	@:Phantom Layer
					Attrition Rate	
	VR1					
0003-----	HC00249				1.0000	2002/10/30
	row-wire header			PCS	1	Y
	4P 2.0mm 90°				0.00 %	
	CN1					
0064-----	HK03280				1.0000	2002/11/02
	K-PCB			PCS	1	Y
	P-DJM3-FP-DIP				0.00 %	
0001-----	HK03279				1.0000	2002/10/30
	K-PCB			PCS	1	Y
	P-DJM3-FP-SMD				0.00 %	
0001-----	HB00760				1.0000	2002/10/30
	pc board			PCS	1	Y
	DJM3-FP(1*4)_VER021004				0.00 %	
0002-----	RD00059				3.0000	2002/10/30
	SMDfixed resistor 1/10W			PCS	1	Y
	0 ±5% 0603				0.00 %	
	R33 R34 R35					
0003-----	RD00061				1.0000	2002/10/30
	SMDfixed resistor 1/10W			PCS	1	Y
	10 ±5% 0603				0.00 %	
	R4					
0004-----	RD00108				2.0000	2002/10/30
	SMDfixed resistor 1/10W			PCS	1	Y
	33K ±5% 0603				0.00 %	
	R21 R23					
0005-----	RD00353				2.0000	2002/10/30
	SMDfixed resistor 1/10W			PCS	1	Y
	36K ±5% 0603				0.00 %	
	R20 R24					
0006-----	RD00113				2.0000	2002/10/30
	SMDfixed resistor 1/10W			PCS	1	Y
	62K ±5% 0603				0.00 %	
	R31 R32					
0007-----	RD00120				4.0000	2002/10/30
	SMDfixed resistor 1/10W			PCS	1	Y
	240K ±5% 0603				0.00 %	
	R11 R15 R18 R8					
0008-----	RD00282				2.0000	2002/10/30
	SMDprecise resistor 1/10W			PCS	1	Y
	1.00K ±1% 0603				0.00 %	
	R29 R30					
0009-----	RD00425				1.0000	2002/10/30
	SMDprecise resistor 1/10W			PCS	1	Y
	1.65K ±1% 0603				0.00 %	
	R3					

Multi-Level BOM Structure Listing

Report No.: IEBO_P02
 Prepared by 000011[YAFEN]
 Item No. PF00671 Version
 DESCRIPTIO DJM-3

Date 2003/09/04
 Page No.: 15/20

UNIT: PCS
 Date: 2002/10/30

DJM-3_ALTO_230V_歐規_無

Version	Item No	Loss %	Ver.	Unit	Cardinal	Effective Date
Component Remark	Item Description				Usage Rate	@:Phantom Layer
					Attrition Rate	
0010-----	RD00284				2.0000	2002/10/30
	SMDprecise resistor 1/10W			PCS	1	Y
	2.21K ±1% 0603				0.00 %	
	R10 R17					
0011-----	RD00209				3.0000	2002/10/30
	SMDprecise resistor 1/10W			PCS	1	Y
	4.99K ±1% 0603				0.00 %	
	R14 R2 R7					
0012-----	RD00365				2.0000	2002/10/30
	SMDprecise resistor 1/10W			PCS	1	Y
	5.62K ±1% 0603				0.00 %	
	R13 R6					
0013-----	RD00287				1.0000	2002/10/30
	SMDprecise resistor 1/10W			PCS	1	Y
	6.34K ±1% 0603				0.00 %	
	R1					
0014-----	RD00214				4.0000	2002/10/30
	SMDprecise resistor 1/10W			PCS	1	Y
	10.0K ±1% 0603				0.00 %	
	R19 R22 R27 R28					
0015-----	RD00290				2.0000	2002/10/30
	SMDprecise resistor 1/10W			PCS	1	Y
	47.5K ±1% 0603				0.00 %	
	R25 R26					
0016-----	RD00426				2.0000	2002/10/30
	SMDprecise resistor 1/10W			PCS	1	Y
	68.1K ±1% 0603				0.00 %	
	R16 R9					
0017-----	RD00224				2.0000	2002/10/30
	SMDprecise resistor 1/10W			PCS	1	Y
	100K ±1% 0603				0.00 %	
	R12 R5					
0018-----	CI00051				2.0000	2002/10/30
	SMDceramic capacitor0603			PCS	1	Y
	22PF/50V NPO ±5%				0.00 %	
	C3 C4					
0019-----	CI00059				2.0000	2002/10/30
	SMDceramic capacitor0603			PCS	1	Y
	100PF/50V NPO ±5%				0.00 %	
	C12 C9					
0020-----	CI00068				2.0000	2002/10/30
	SMDceramic capacitor0603			PCS	1	Y
	0.0027uF/25V X7R ±10 %				0.00 %	
	C10 C11					
0021-----	CI00071				2.0000	2002/10/30
	SMDceramic capacitor0603			PCS	1	Y

Multi-Level BOM Structure Listing

Report No.: IEBO_P02
 Prepared by 000011[YAFEN]
 Item No. PF00671 Version
 DESCRIPTION DJM-3

Date 2003/09/04
 Page No.: 16/20

UNIT: PCS
 Date: 2002/10/30

DJM-3_ALTO_230V_歐規_無

Version	Item No	Loss %	Ver.	Unit	Cardinal Usage Rate	Effective Date @:Phantom Layer
Component Remark	Item Description				Attrition Rate	
	0.01uF/50V X7R ±10%				0.00 %	
	C1 C2					
0022-----	CI00075				2.0000	2002/10/30
	SMDceramic capacitor0603			PCS	1	Y
	0.1uF/50V Y5V +80,-20%				0.00 %	
	C5 C6					
0023-----	SG00122				2.0000	2002/10/30
	SMD integrated circuit			PCS	1	Y
	NJM4580M-TE3				0.00 %	
	IC1 IC3					
0024-----	SG00001				1.0000	2002/10/30
	SMD integrated circuit			PCS	1	Y
	TL074CDT				0.00 %	
	IC2					
0025-----	SE00011				8.0000	2002/10/30
	SMD rectifier diode			PCS	1	Y
	RLS4148 0.5A (LL-34)				0.00 %	
	D1 D2 D3 D4 D5 D6 D7 D8					
0002-----	HA01919				7.0000	2002/10/30
	jumper wire			PCS	1	Y
	5mm				0.00 %	
	J1 J10 J11 J2 J4 J5 J9					
0003-----	HA01922				3.0000	2002/10/30
	jumper wire			PCS	1	Y
	8mm				0.00 %	
	J3 J6 J7					
0004-----	HA01928				1.0000	2002/10/30
	jumper wire			PCS	1	Y
	12mm				0.00 %	
	J8					
0005-----	HC00397				1.0000	2002/10/30
	row-wire header			PCS	1	Y
	10P 2.0mm 180°				0.00 %	
	CN2					
0006-----	HA02224				1.0000	2002/10/30
	wire			PCS	1	Y
	4P(male)-4P(female) 120mm UL1007 AWG28				0.00 %	
	CN1					
0007-----	RC00265				1.0000	2002/10/30
	potentiometer			PCS	1	Y
	B100K R1411GOA-V1B104FL00-00				0.00 %	
	VR1					
0008-----	CB00112				2.0000	2002/10/30
	electrotytic capacitor			PCS	1	Y
	10uF/35V				0.00 %	
	C7 C8					

Multi-Level BOM Structure Listing

Report No.: IEBO_P02
 Prepared by 000011[YAFEN]
 Item No. PF00671 Version
 DESCRIPTIO DJM-3

Date 2003/09/04
 Page No.: 17/20

UNIT: PCS
 Date: 2002/10/30

DJM-3_ALTO_230V_歐規_無

Version	Item No	Loss %	Ver.	Unit	Cardinal Usage Rate	Effective Date @:Phantom Layer
0009-----	HI00034 lever switch SL1002M-0203-9P-FN SW1			PCS	1.0000 1 0.00 %	2002/10/30 Y
0010-----	HC00371 MIC male SCJ-0658-1-Y X1 X2			PCS	2.0000 1 0.00 %	2002/10/30 Y
0065-----	HK03282 K-PCB P-DJM3-PU-DIP			PCS	1.0000 1 0.00 %	2002/11/02 Y
0001-----	HK03281 K-PCB P-DJM3-PU-SMD			PCS	1.0000 1 0.00 %	2002/10/30 Y
0001-----	HB00761 pc board DJM3-PU(1*4)_VER021007			PCS	1.0000 1 0.00 %	2002/10/30 Y
0002-----	RD00068 SMDfixed resistor 1/10W 100 ±5% 0603 R36 R37			PCS	2.0000 1 0.00 %	2002/10/30 Y
0003-----	RD00069 SMDfixed resistor 1/10W 120 ±5% 0603 R23 R24 R25 R26			PCS	4.0000 1 0.00 %	2002/10/30 Y
0004-----	RD00083 SMDfixed resistor 1/10W 1.0K ±5% 0603 R21 R22 R35 R38			PCS	4.0000 1 0.00 %	2002/10/30 Y
0005-----	RD00088 SMDfixed resistor 1/10W 2.2K ±5% 0603 R13 R14 R15 R16 R17 R18 R19 R20			PCS	8.0000 1 0.00 %	2002/10/30 Y
0006-----	RD00101 SMDfixed resistor 1/10W 10K ±5% 0603 R27 R28 R29 R30			PCS	4.0000 1 0.00 %	2002/10/30 Y
0007-----	RD00111 SMDfixed resistor 1/10W 47K ±5% 0603 R1 R10 R11 R12 R2 R3 R4 R5 R6 R7 R8 R9			PCS	12.0000 1 0.00 %	2002/10/30 Y
0008-----	RD00116 SMDfixed resistor 1/10W 100K ±5% 0603 R31 R32 R33 R34			PCS	4.0000 1 0.00 %	2002/10/30 Y
0009-----	CI00059				10.0000	2002/10/30

Multi-Level BOM Structure Listing

Report No.: IEBO_P02
 Prepared by 000011[YAFEN]
 Item No. PF00671 Version
 DESCRIPTION DJM-3

Date 2003/09/04
 Page No.: 18/20

UNIT: PCS
 Date: 2002/10/30

DJM-3_ALTO_230V_歐規_無

Version	Item No	Loss %	Ver.	Unit	Cardinal	Effective Date
Component Remark	Item Description				Usage Rate	@:Phantom Layer
					Attrition Rate	
	SMDceramic capacitor0603 100PF/50V NPO ±5% C10 C28 C29 C30 C31 C5 C6 C7 C8 C9			PCS	1 0.00 %	Y
0010-----	CI00063				6.0000	2002/10/30
	SMDceramic capacitor0603 470PF/50V NPO ±5 % C36 C37 C38 C39 C40 C41			PCS	1 0.00 %	Y
0011-----	CI00092				4.0000	2002/10/30
	SMD ceramic capacitor0603 0.0068uF/50V X7R ±10% C1 C2 C3 C4			PCS	1 0.00 %	Y
0012-----	CI00123				4.0000	2002/10/30
	SMD ceramic capacitor0603 0.027uF/-50V X7R ±10% C46 C47 C48 C49			PCS	1 0.00 %	Y
0013-----	CI00075				4.0000	2002/10/30
	SMDceramic capacitor0603 0.1uF/50V Y5V +80,-20% C11 C12 C50 C51			PCS	1 0.00 %	Y
0014-----	SG00122				2.0000	2002/10/30
	SMD integrated circuit NJM4580M-TE3 IC4 IC5			PCS	1 0.00 %	Y
0002-----	HC00403				4.0000	2002/10/30
	RCA socket SCP6873NS3232T2 4P X1 X2 X3 X4			PCS	1 0.00 %	Y
0003-----	CB00112				12.0000	2002/10/30
	electrotytic capacitor 10uF/35V 105 4*7mm C13 C14 C17 C18 C19 C20 C22 C23 C24 C25 C26 C27			PCS	1 0.00 %	Y
0004-----	CB00039				4.0000	2002/10/30
	electrotytic capacitor 47uF/25V 5*11mm C42 C43 C44 C45			PCS	1 0.00 %	Y
0005-----	HC00079				1.0000	2002/10/30
	row-wire header 5P 2.5mm 180° CN3			PCS	1 0.00 %	Y
0006-----	HI00162				2.0000	2002/10/30
	push switch 2 paragraphs 6p PS-22E8552L SW1 SW2			PCS	1 0.00 %	Y
0007-----	HC00261				1.0000	2002/10/30
	row-wire header 12P 2.0mm 180°			PCS	1 0.00 %	Y

SEKAKU ELECTRON INDUSTRY CO.,LTD

IEBO_P02

IEBO_P02

Multi-Level BOM Structure Listing

Report No.: IEBO_P02
 Prepared by 000011[YAFEN]
 Item No. PF00671 Version
 DESCRIPTIO DJM-3

Date 2003/09/04
 Page No.: 19/20

UNIT: PCS
 Date: 2002/10/30

DJM-3_ALTO_230V_歐規_無

Version	Item No	Loss %	Ver.	Unit	Cardinal	Effective Date
Component Remark	Item Description				Usage Rate	@:Phantom Layer
					Attrition Rate	
	<u>CN2</u>					
0008-----	HC00321				1.0000	2002/10/30
	row-wire header			PCS	1	Y
	14P 2.0mm 180°				0.00 %	
	<u>CN1</u>					
0066-----	HK03283				1.0000	2002/11/02
	K-PCB			PCS	1	Y
	P-DJM3-PWR				0.00 %	
0001-----	HB00759				1.0000	2002/10/30
	pc board			PCS	1	Y
	DJM3-PWR(1*8)_VER020821				0.00 %	
0002-----	SA00094				6.0000	2002/10/30
	rectifier diode			PCS	1	Y
	1N4002/100V				0.00 %	
	<u>D1 D2 D3 D4 D5 D6</u>					
0003-----	HA01925				3.0000	2002/10/30
	jumper wire			PCS	1	Y
	10mm				0.00 %	
	<u>J1 J2 J3</u>					
0004-----	CB00065				1.0000	2002/10/30
	electrolytic capacitor			PCS	1	Y
	470uF/25V 10*16mm				0.00 %	
	<u>C32</u>					
0005-----	CA00052				3.0000	2002/10/30
	ceramic capacitor			PCS	1	Y
	0.1uF SL				0.00 %	
	<u>C33 C34 C35</u>					
0006-----	CB00047				3.0000	2002/10/30
	electrolytic capacitor			PCS	1	Y
	100uF/25V 6*11mm				0.00 %	
	<u>C15 C16 C21</u>					
0007-----	CB00073				4.0000	2002/10/30
	electrolytic capacitor			PCS	1	Y
	1000uF/35V 13*20mm				0.00 %	
	<u>C28 C29 C30 C31</u>					
0008-----	SD00077				1.0000	2002/10/30
	integrated circuit			PCS	1	Y
	7815(TO-220)				0.00 %	
	<u>Q3</u>					
0009-----	SD00079				1.0000	2002/10/30
	integrated circuit			PCS	1	Y
	7915(TO-220)				0.00 %	
	<u>Q1</u>					
0010-----	SD00074				1.0000	2002/10/30
	integrated circuit			PCS	1	Y
	7805(TO-220)				0.00 %	

Multi-Level BOM Structure Listing

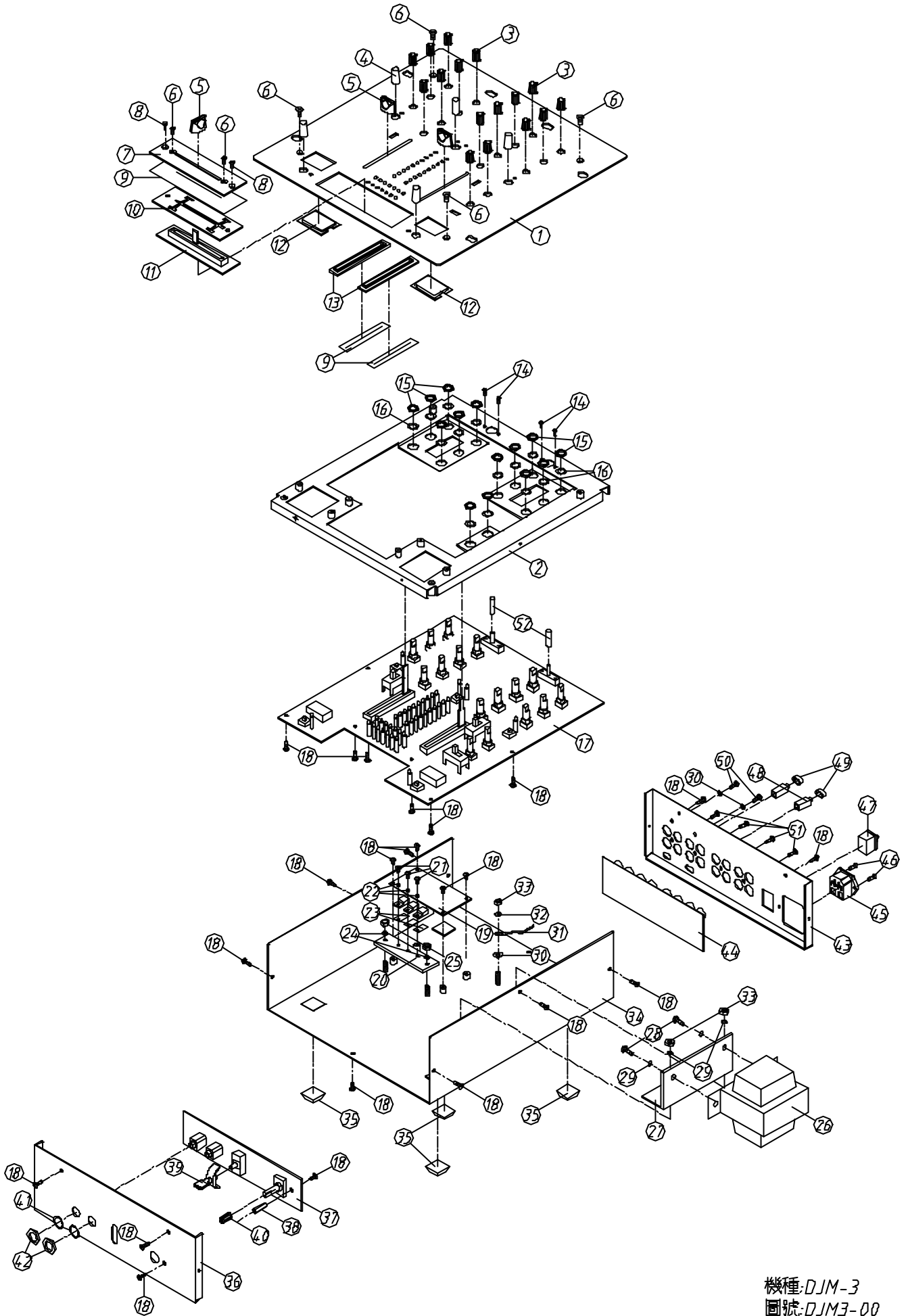
Report No.: IEBO_P02
 Prepared by 000011[YAFEN]
 Item No. PF00671 Version
 DESCRIPTIO DJM-3

UNIT: PCS
 Date: 2002/10/30

Date 2003/09/04
 Page No.: 20/20

DJM-3_ALTO_230V_歐規_無

Version	Item No	Loss %	Ver.	Unit	Cardinal Usage Rate	Effective Date @:Phantom Layer
Component Remark	Item Description				Attrition Rate	
	<u>Q2</u>					
0011-----	HC00172				1.0000	2002/10/30
	row-wire header			PCS	1	Y
	3P 3.96mm 180°				0.00 %	
	CN1					
0012-----	HC00079				1.0000	2002/10/30
	row-wire header			PCS	1	Y
	5P 2.5mm 180°				0.00 %	
	CN2					
0067-----	NB02156				1.0000	2002/12/17
	paper sheet			PCS	1	
	DJM-2/DJM-3/DJM-3				0.00 %	
0068-----	NB02157				1.0000	2002/12/17
	paper sheet			PCS	1	
	DJM-2/DJM-3/DJM-3				0.00 %	
0069-----	NB02132				1.0000	2002/12/17
	colour box			PCS	1	
	DJM-3 ALTO				0.00 %	
0070-----	NB02133				1.0000	2002/12/17
	outter carton 4 hole			PCS	4	
	DJM-3				0.00 %	
0071-----	NI01272				1.0000	2003/04/20
	handle			PCS	1	
	for wireless coloful box				0.00 %	
0072-----	NC00131				2.0000	2003/07/28
	wood washer			PCS	1	
	1* 11.3* 15.3 red				0.00 %	



		Mechanical Parts List		
Model No.		ALTO DJM-3		
NO	Item No	Item Description		pcs
1	MA03603	panel	DJM-3	1
2	MI01506	front board	DJM-3	1
3	NI00826	knob	12*18 double color	16
4	NI01183	key	7.5*13	5
5	NI02596	knob	17*10*11(C-B2) black	3
6	MG00323	screw	M3*6	6
7	MJ01078	bracket	DJM-3	1
8	MG00281	screw	M3*6	2
9	ND00037	nonwoven	77*21*0.3	3
10	NI01587	cushion	73*29*2.2 black	1
11	HK03278	K-PC板	P-DJM3-VR	1
12	NI01169	display board	32*23.5*2.5t 187C	2
13	NI01164	slide trough	3.7*12*70 DJ-MIX	2
14	MG00157	screw	M2.6*4	4
15	MF00004	washer	9* 14*0.5t	14
16	ME00006	R.S nut	9	14
17	HK03277	K-PC板	P-DJM3-PRE-DIP	1
18	MG00036	screw	M3*4	24
19	HK03283	K-PC板	P-DJM3-PWR	1
20	MJ01027	heat-sink	S-8	1
21	MG00162	screw	M3*8	3
22	NI02249	caushion	TW-1(TO-220)	3
23	NC00022	insulation	0.3t*18*45mm S-8	1
24	MF00037	washer	3* 5*1t	2
25	ME00015	colour nut	3m/m	2
26	TC00133	transformer	PT-DJM3_230V	1
27	MI01617	bracket	70*36*20mm DJM-3	1
28	MG00104	screw	M4*10	2
29	MF00018	washer	4* 10*1t	4
30	MF00048	washer	4* 8*0.5t	3
31	HA01174	signle terminal wiring CF:W146	80 green/yellow	1
32	MF00037	washer	3* 5*1t	1
33	ME00016	colour nut	4m/m	3
34	MB02444	bottom board	DJM-3	1
35	NI00498	foot cushion	12.7*7*6mm(SF-005)	4
36	MI01509	side board	DJM-3	1
37	HK03280	K-PC板	P-DJM3-FP-DIP	1
38	MG00324	copper piller	M3*24.5*0.5PH	1
39	NI02215	switch	32*29*12 DJM-3	1
40	NI02084	knob	10.5*18	1
41	MF00061	washer	JY-6351G-02-250	2
42	ME00060	socket nut	JY-6351G-02-250	2
43	MI01512	side board	DJM-3	1
44	HK03282	K-PC板	P-DJM3-PU-DIP	
45	HC00008	AC outlet	3515 A TYPE(RF-2004-C-4.8)	1
46	MG00042	screw	M3*10	2

47	HI00019	power switch	4P MSR-8	1
48	NI01862	key	5.5*5.5*14.5	2
49	NI01863	key	5.5*W10*7.5	2
50	MG00172	screw	M4*10	2
51	MG00064	screw	M3*10	4
52	MH01448	horizontal switch handle	5*20mm black LF20BK	2