

Service Manual

Model: DJM-4 (3-CHANNEL VCA-CONTROLLED DJ MIXIER)



www.altoproaudio.com

Version: 1.1

CONTENTS

- 1. Specification**
- 2. Block Diagram**
- 3. Schematic Diagram**
- 4. Printed Circuit Board**
- 5. Wiring Diagram**
- ~~**6. Test Procedure**~~
- 7. Electrical Parts List**
- 8. Exploded Views & Mechanical Parts List**
- 9. Notes**

Technical Specifications

Model NO: DJM-4(3-CHANNEL MIXER)

AUDIO INPUTS

Mic Input	40dB gain,servo-balanced
Phono Inputs 1 ,2 and 3	40dB gain@1kHz,unbalanced
Line Inputs 1,2 and 3	0dB gain, unbalanced
Return	0dB gain, unbalanced

AUDIO OUTPUTS

Main Out	max +21dBu
Booth Out	max +21dBu
Tape Out	typically 0dBu
Send	typically 0dBu
Headphones	typically 125mW@ 1% THD

EQUALIZER(+/-8dB)

Stereo Bass	+15dB/-30dB@50Hz
Stereo Middle	+15dB/-30dB@2.5KHz
Stereo Treble	+15dB/-30dB@10KHz
Kill Bass	-54dB@50Hz
Kill Middle	-40dB@1KHz
Kill Treble	-26dB@10KHz

GENERAL

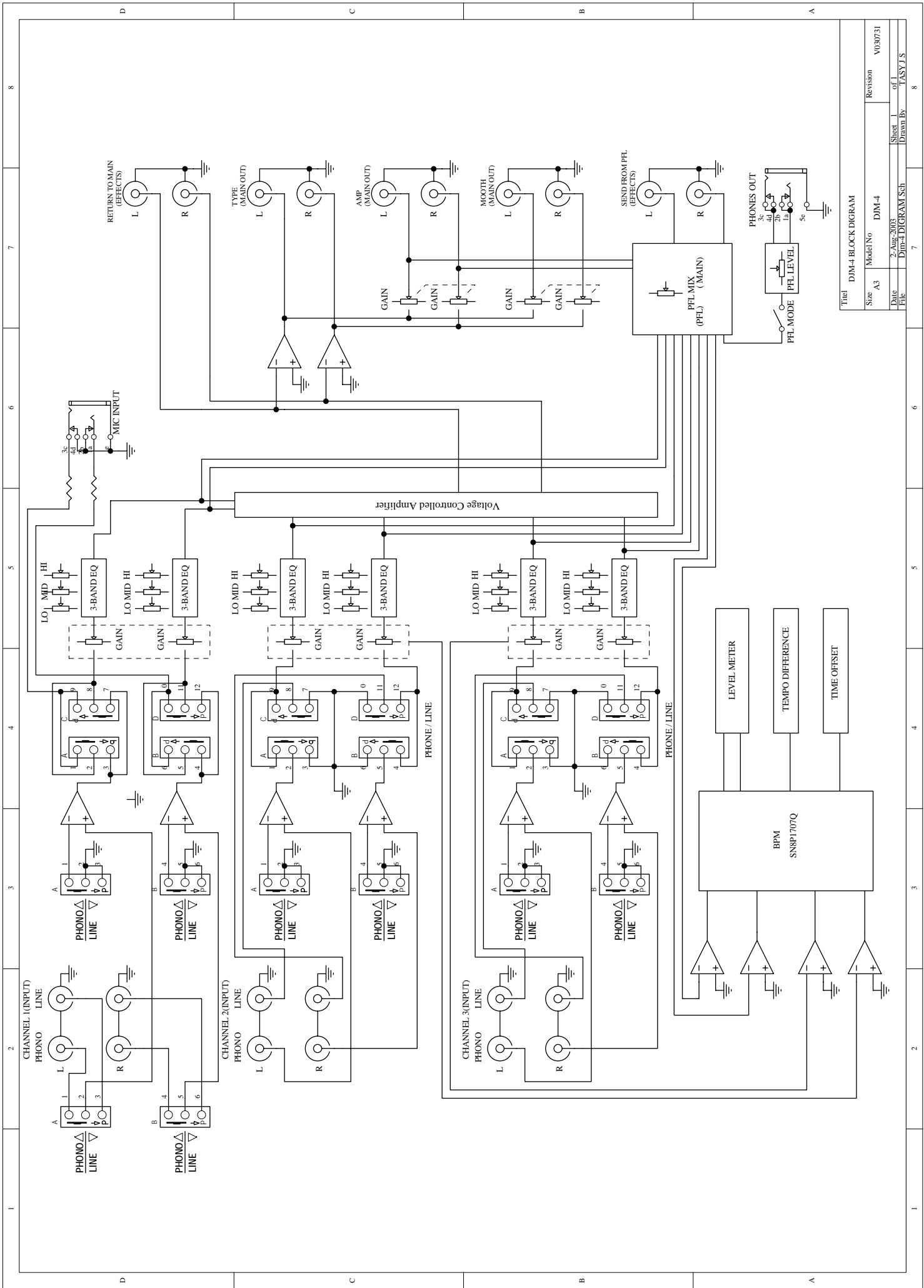
Signal-to-Noise ratio(S/N)	>90dB(LINE)
Crosstalk	70 dB±3dB(LINE)
Distortion(THD)	<0.05%
Frequency Response	20Hz-20KHz (±2dB)
Input Gain Adjustment	-20dB-+9dB (+3dB)

POWER SUPPLY

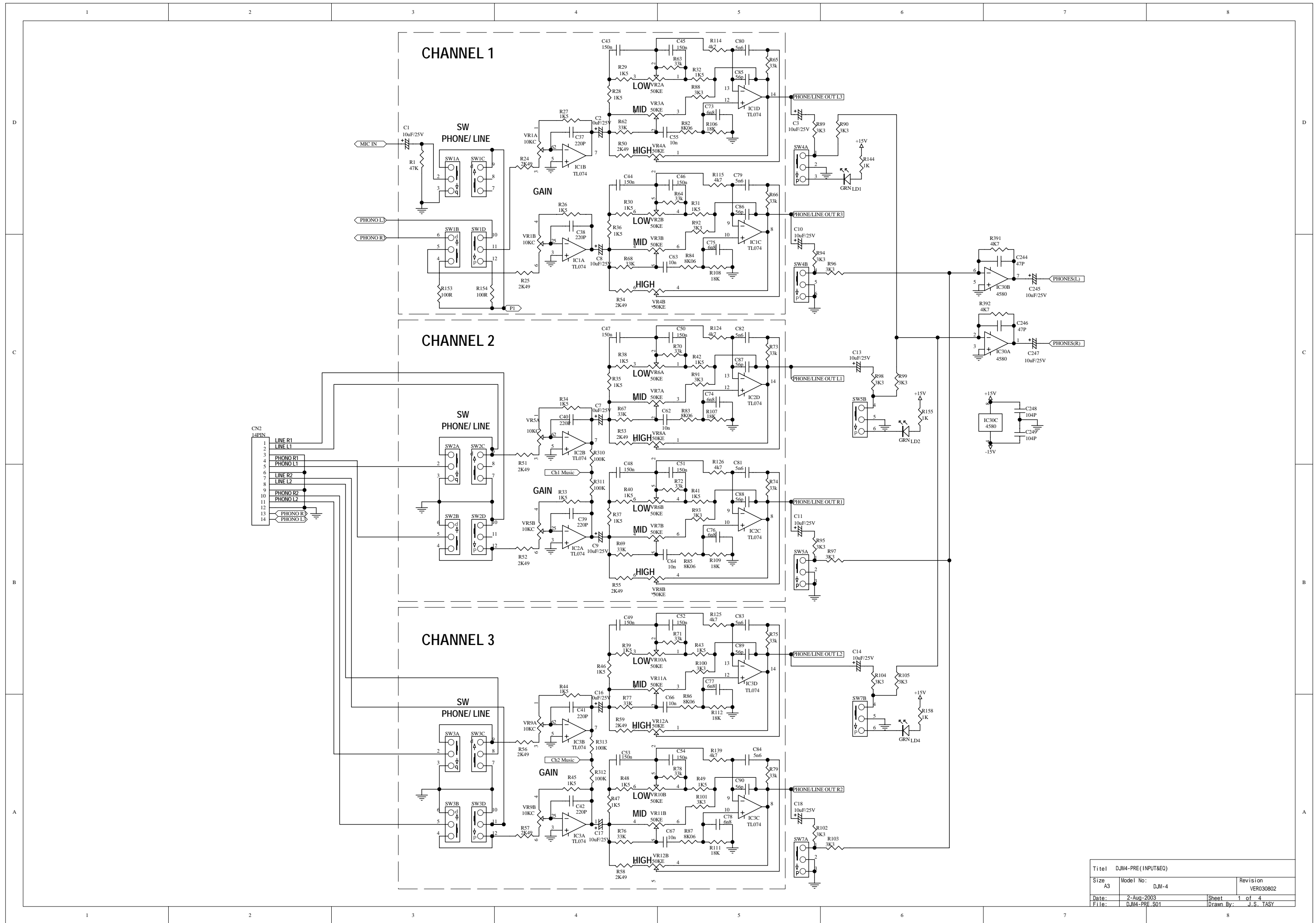
Main voltage	USA/Canada 100-120V~, 60Hz Europe 210-230V~, 50Hz U.K./Australia 240V~, 50Hz
Power Consumption	25watts
Fuse	95-120V~ : T500mAL 210-240V~ : T315mAL
Main connection	Standard IEC receptacle

DIMENSIONS AND WEIGHT

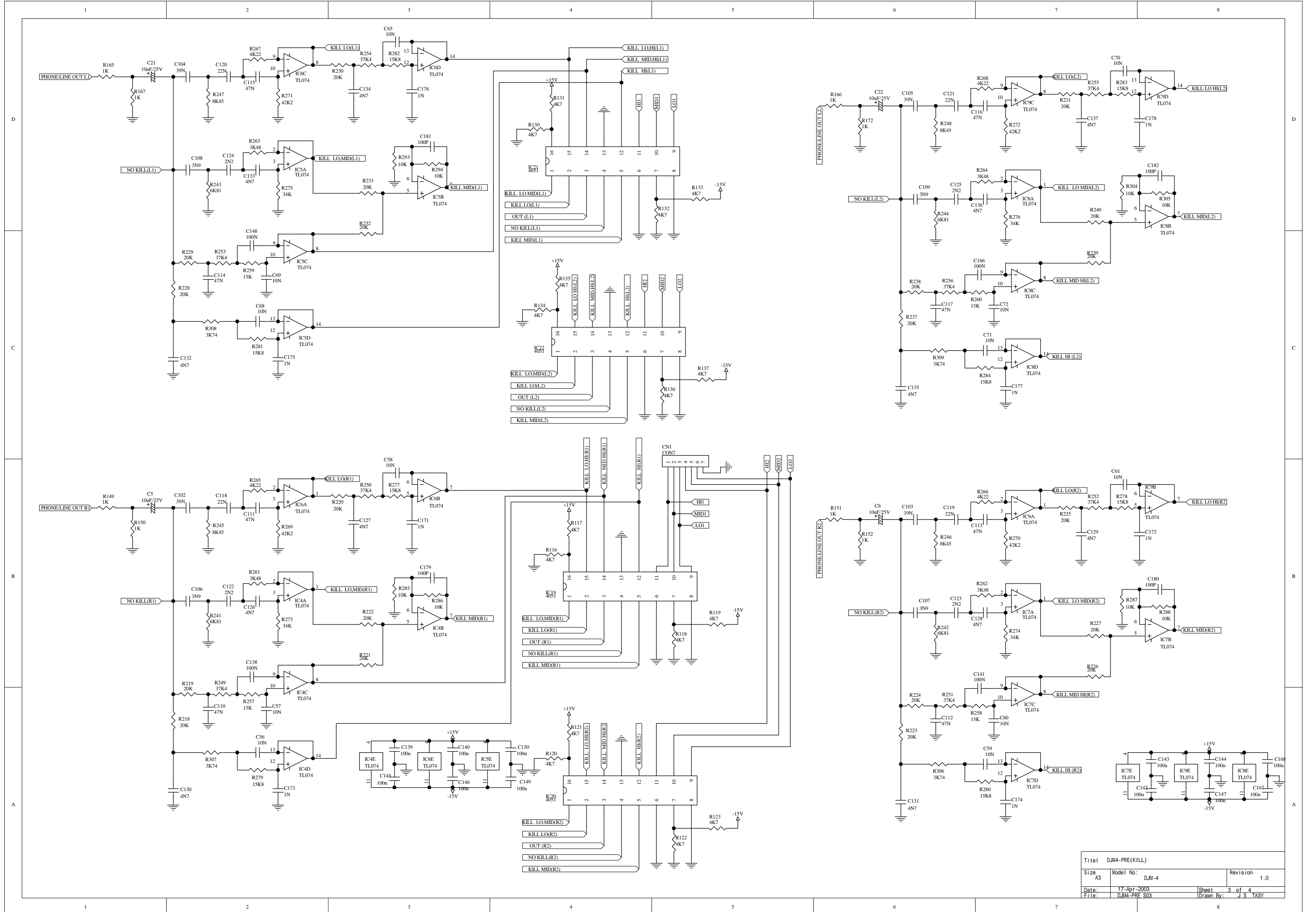
Dimension	281(L)X220 (W)X76.6(H)mm(11.3" X9.8" X3.0")
weight	3.5Kg (7.71lb)



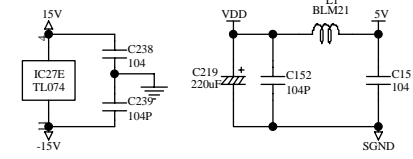
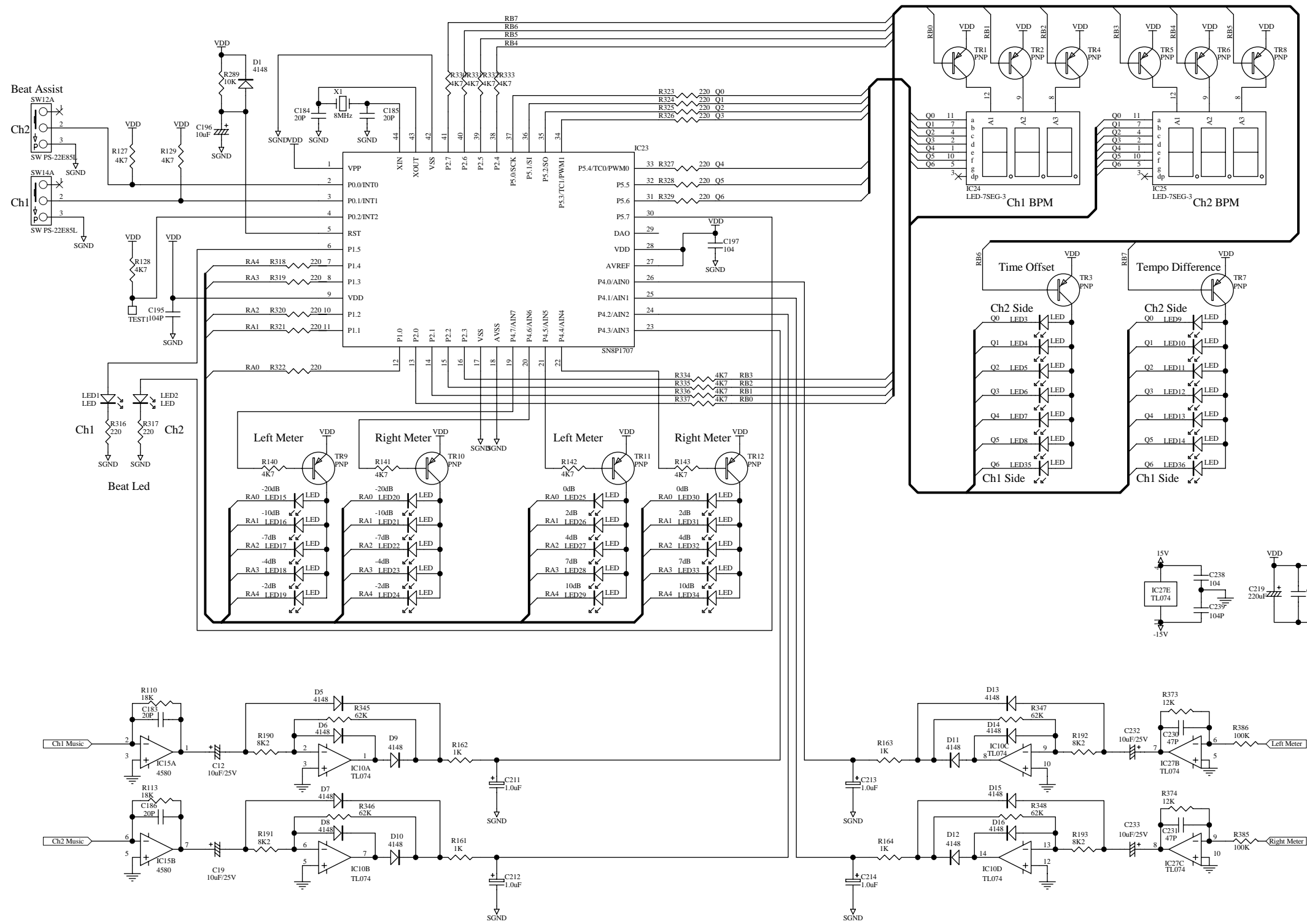
Title		DIM-4 BLOCK DIAGRAM	
Size	A3	Model No	DIM-4
Date	2-Aug-2003	Sheet	1 of 1
File	DIM-4 DIGRAM Sch	Drawn By	TASYJJS
Revision	V080731		



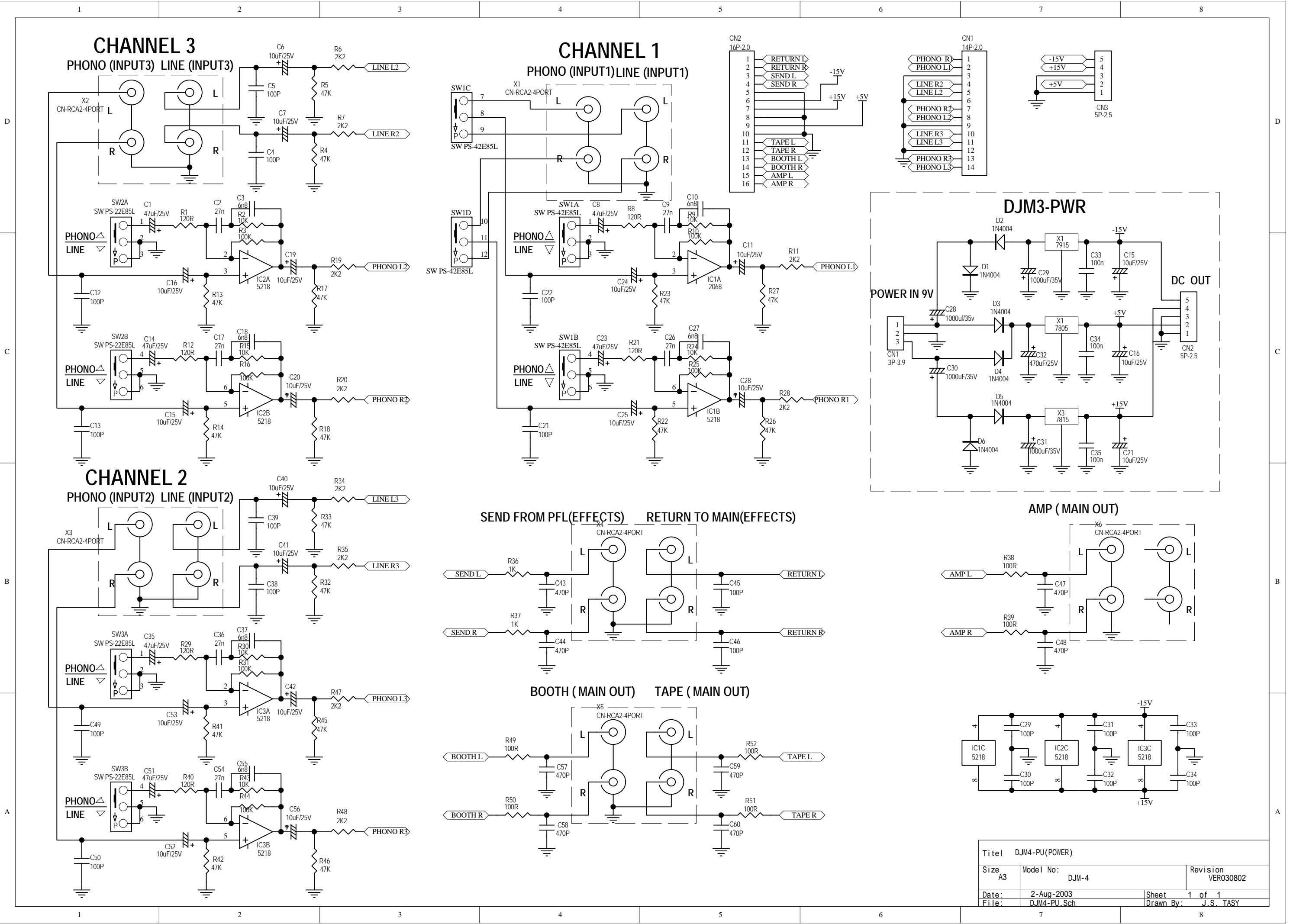
Title DJM4-PRE(INPUT&EQ)		
Size A3	Model No: DJM-4	Revision VER030802
Date: 2-Aug-2003	Sheet 1 of 4	
File: DJM4-PRE.S01	Drawn By: J.S. TASY	



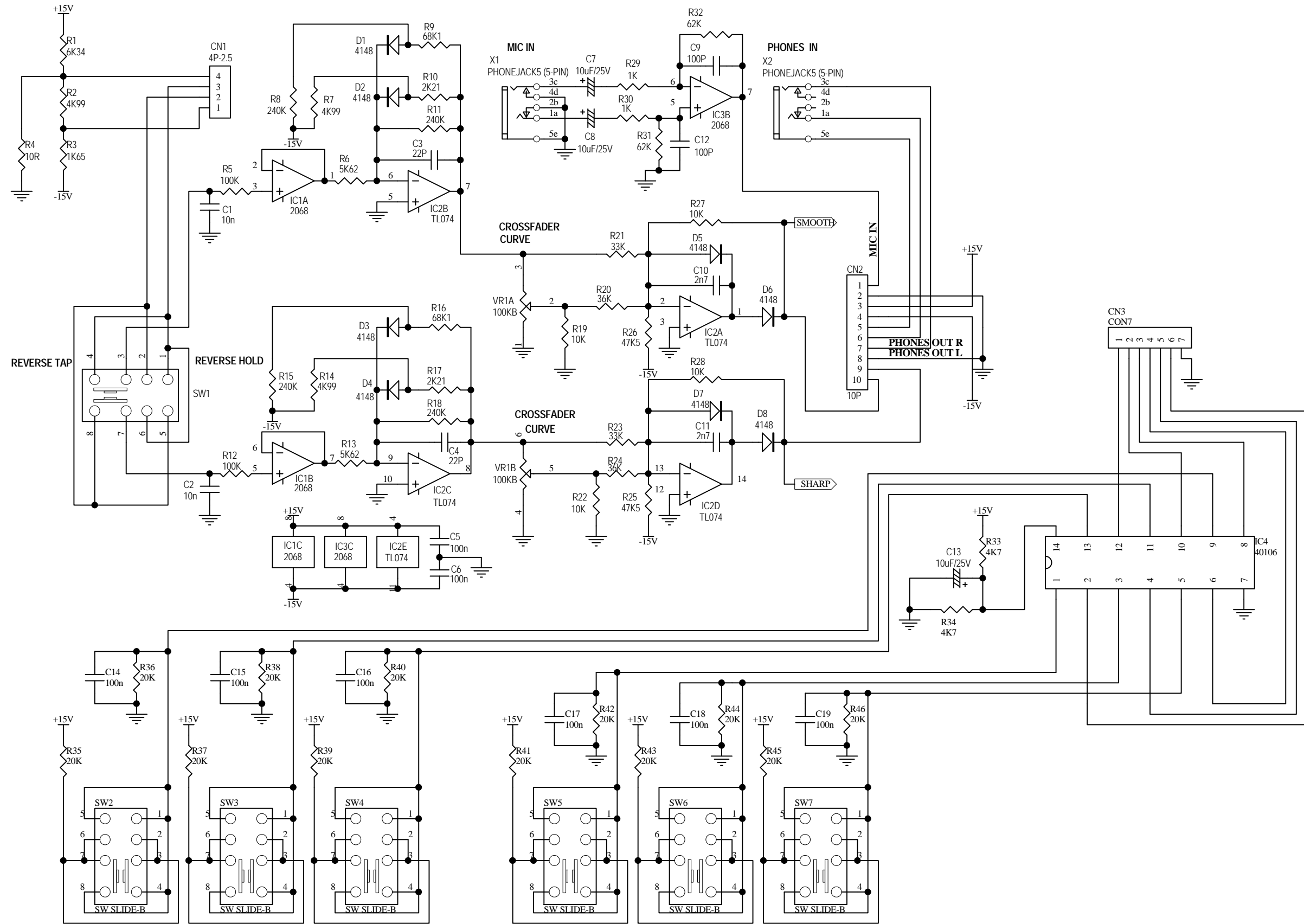
Titel DJM4-PRE(KILL)		
Size A3	Model No: DJM-4	Revision 1.0
Date: 17-Apr-2003	Sheet 3 of 4	
File: DJM4-PRE S03	Drawn By: J. S. TASY	



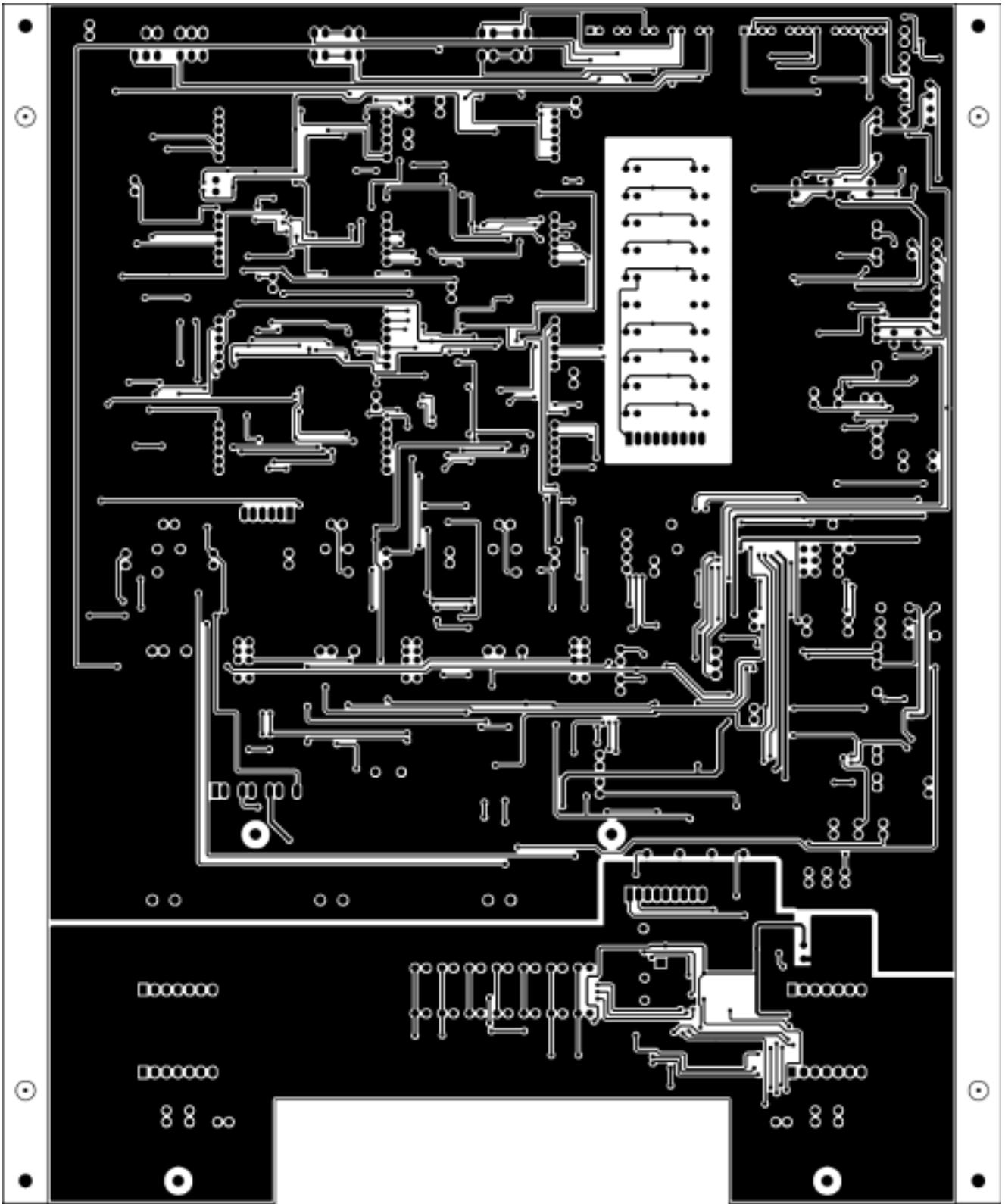
Title DJM4-PRE (BPM)		
Size A3	Model No: DJM-4	Revision 1.0
Date: 3-Aug-2003	Sheet 4 of 4	
File: DJM4-PRE_S04	Drawn By: J.S. TASY	



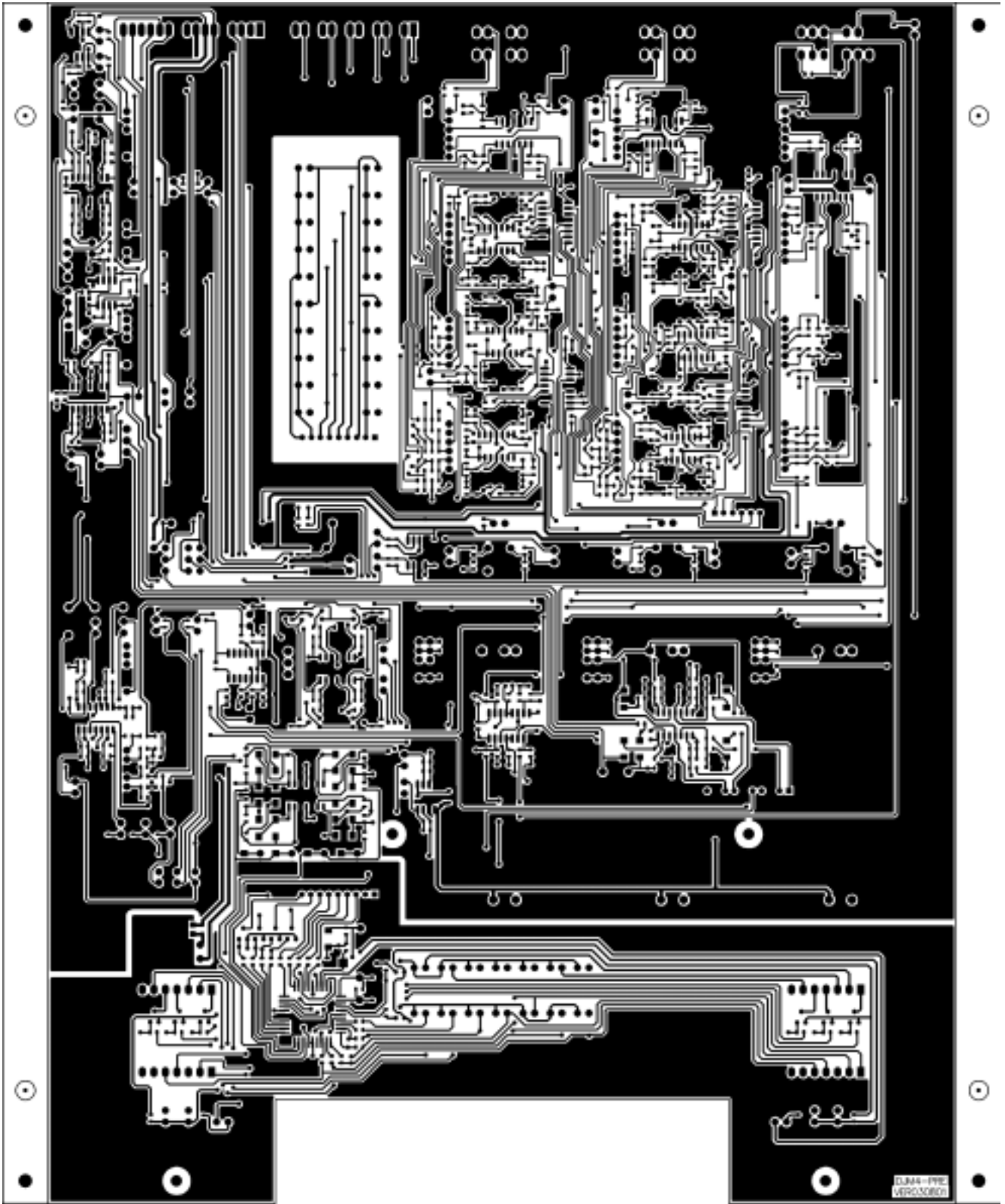
Title DJM4-PU(Power)		
Size A3	Model No: DJM-4	Revision VERO30802
Date: 2-Aug-2003	Sheet 1 of 1	Drawn By: J.S. TASY
File: DJM4-PU.Sch		



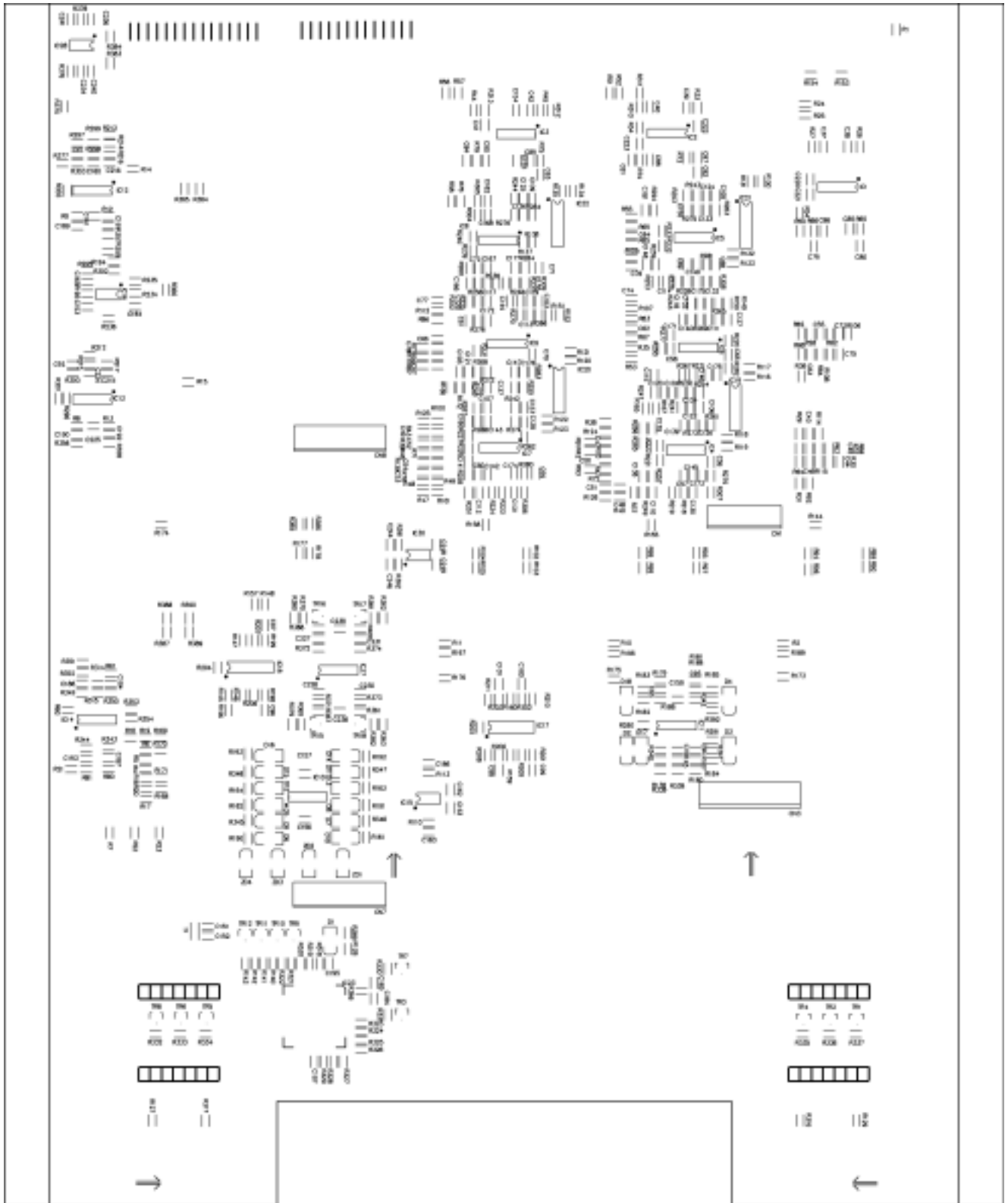
Title DJM4-FP		Revision 1.0	
Size A3	Model No: DJM-4		
Date: 17-Apr-2003	Sheet 1 of 1		
File: DJM4-FP.Sch	Drawn By: J.S. TASY		



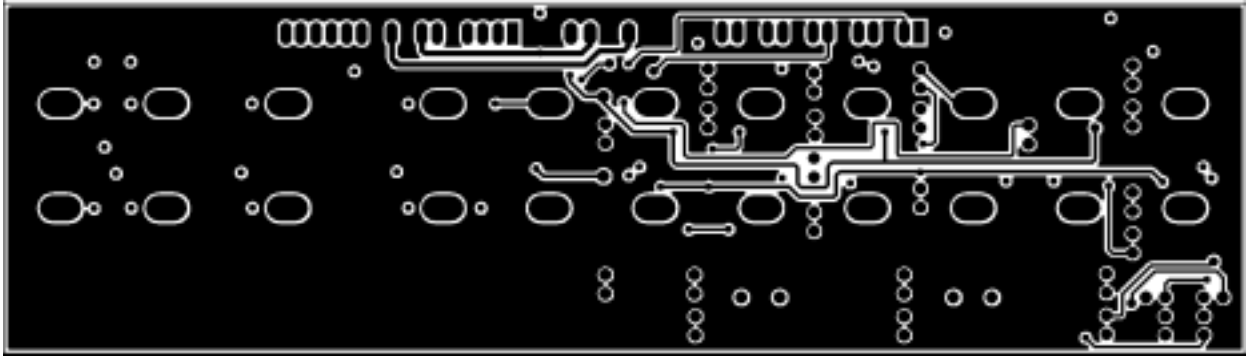
PCB : DJM4-PRE Top layer



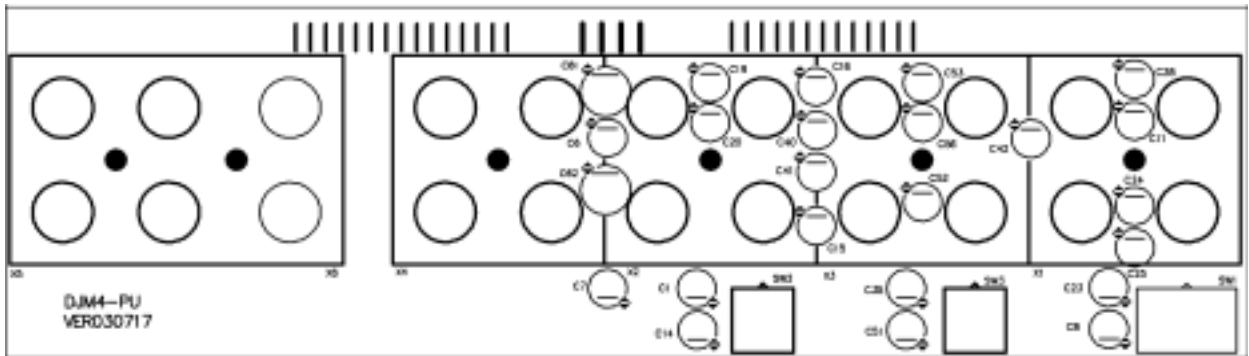
PCB : DJM4-PRE Bottom Layer



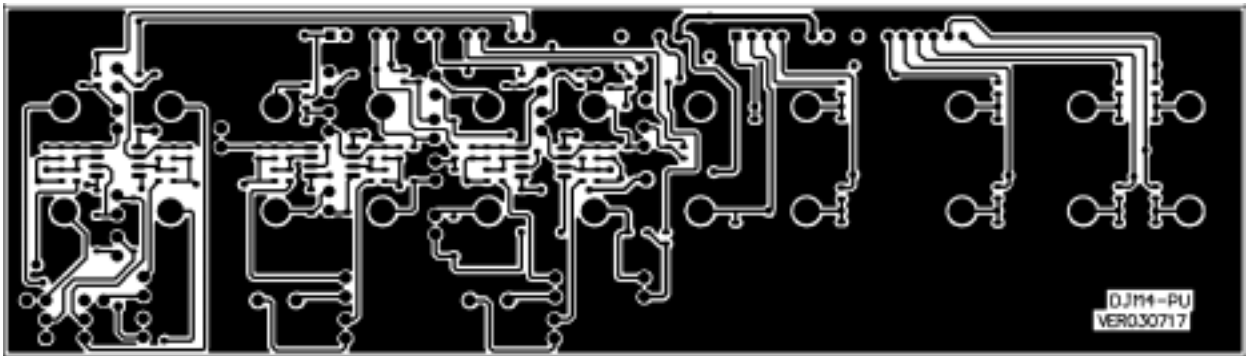
PCB : DJM4-PRE Bottom Overlayer



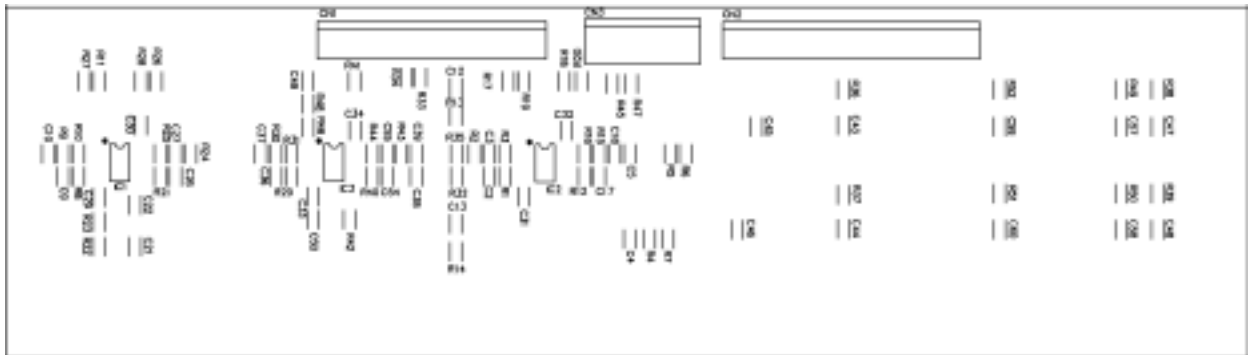
PCB : DJM4-PU Top Layer



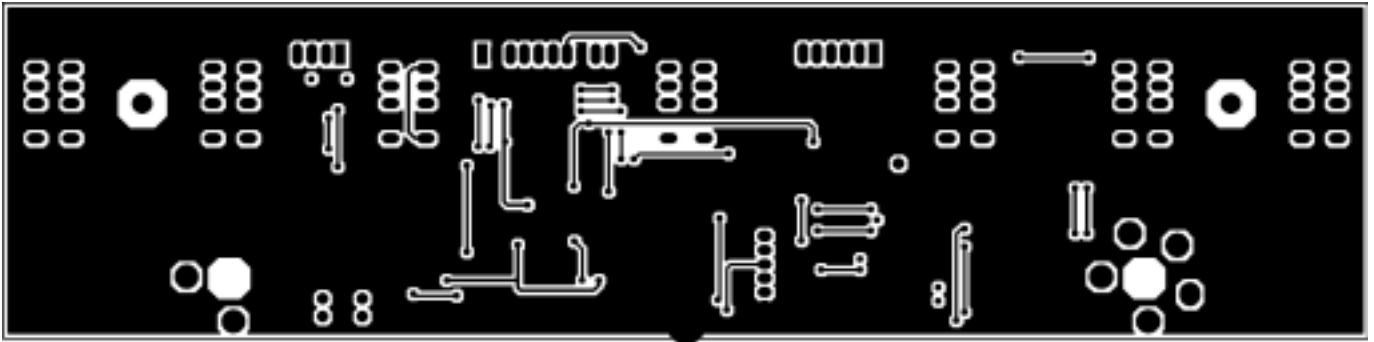
PCB : DJM4-PU Top Overlay



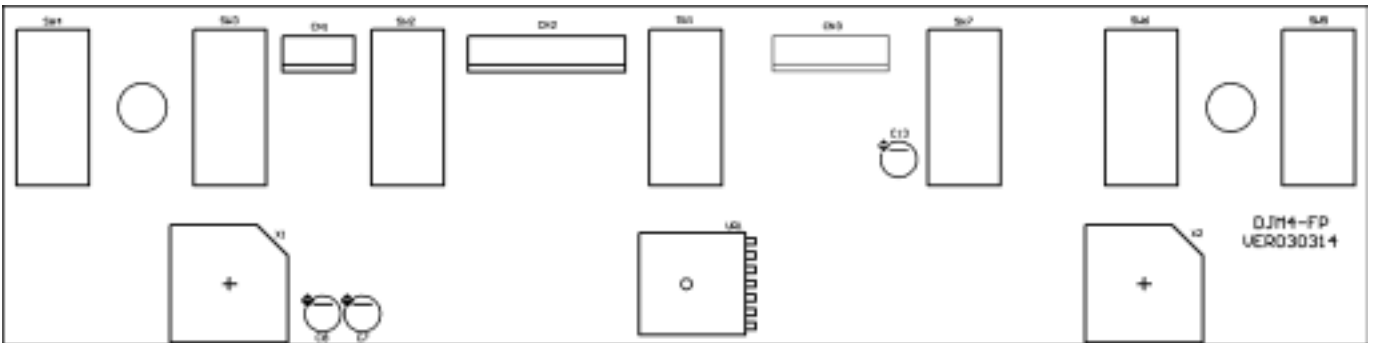
PCB : DJM4-PU Bottom Layer



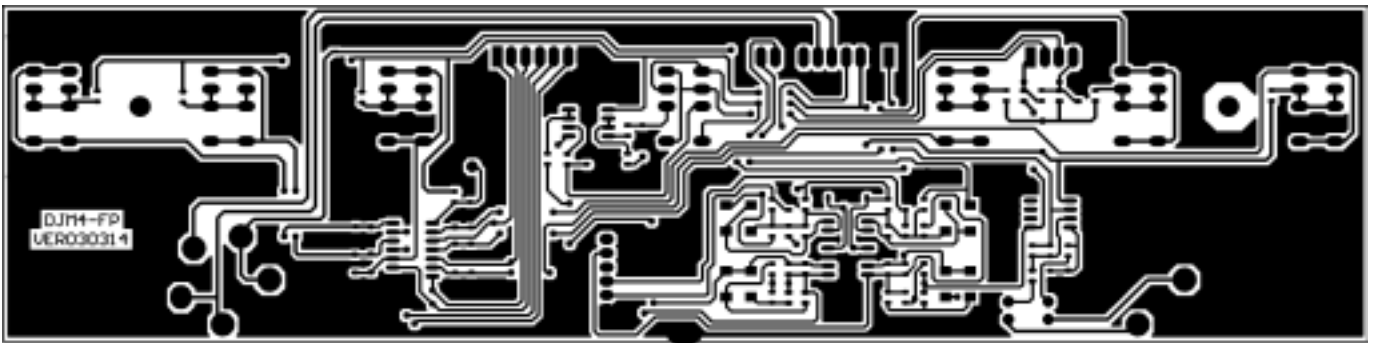
PCB : DJM4-PU Bottom Overlay



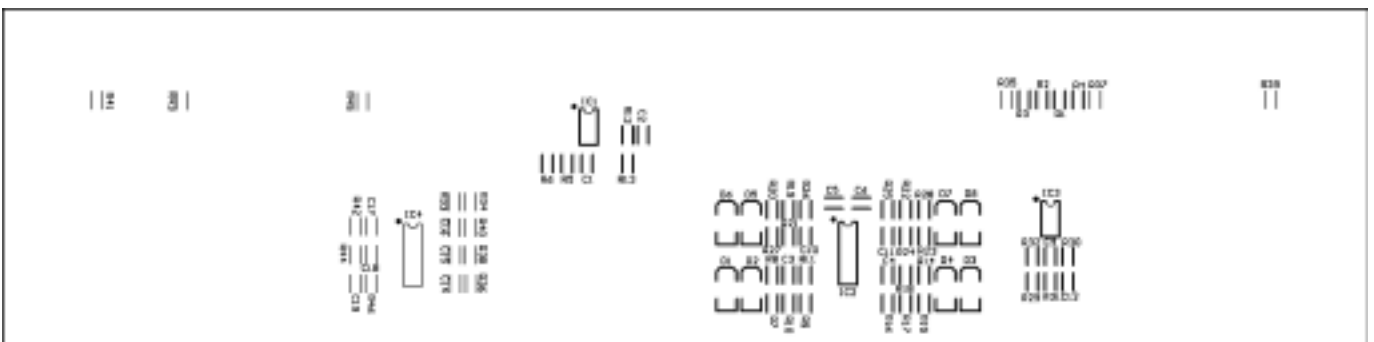
PCB : DJM4-FP Top Layer



PCB : DJM4-FP Top Overlay



PCB : DJM4-FP Bottom Layer



PCB : DJM3-FP Bottom Overlay



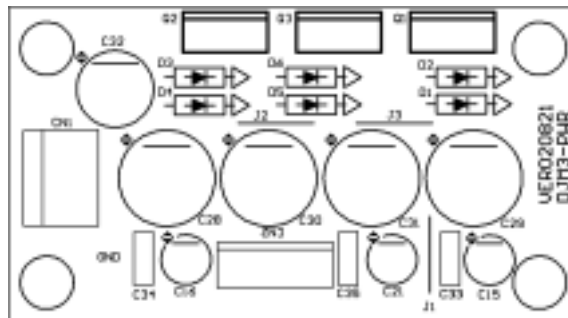
PCB : DJM3-VR Top Overlay



PCB : DJM3-VR Bottom Layer



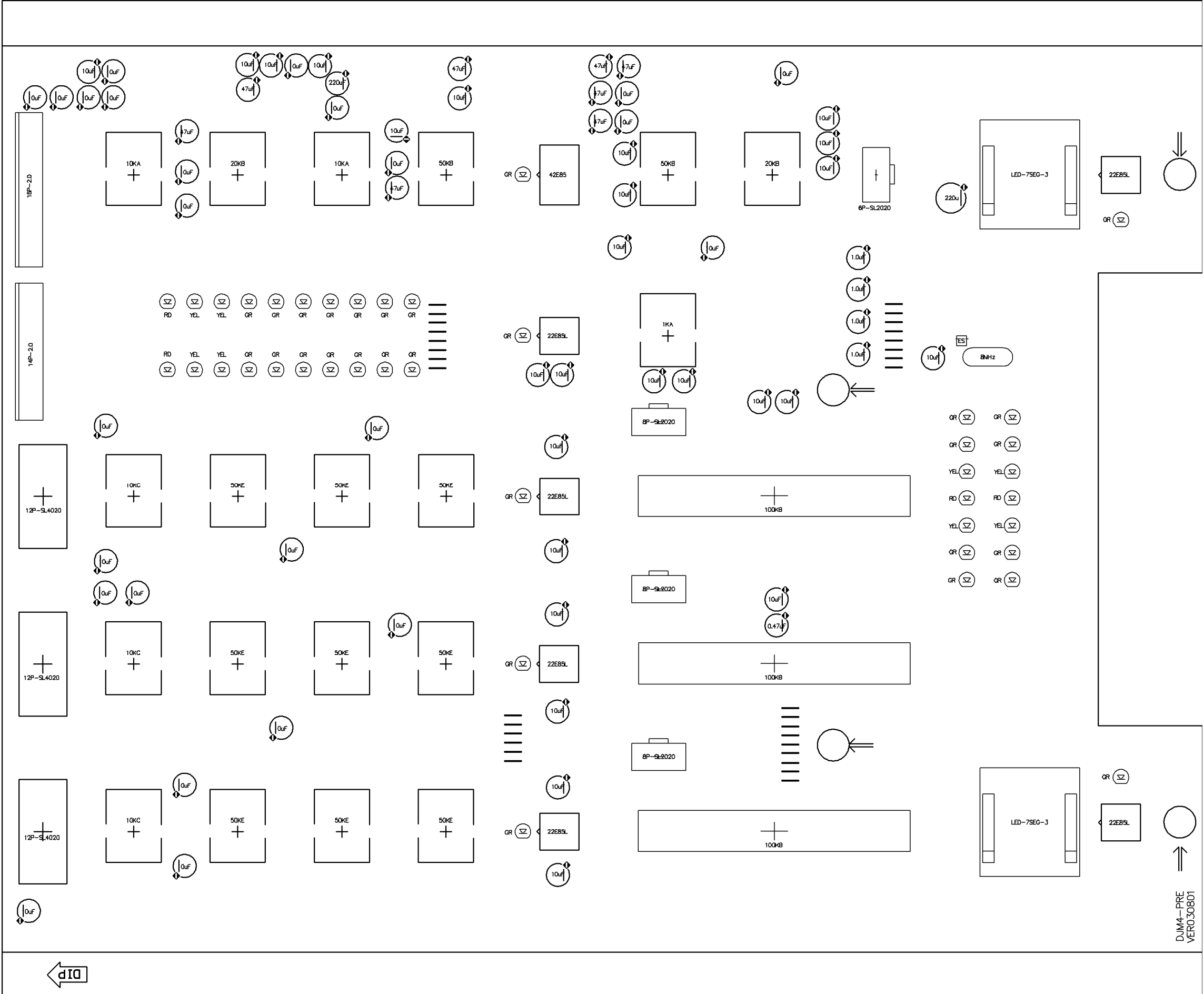
PCB : DJM3-VR Bottom Overlay



PCB : DJM3-PWR Top Overlay

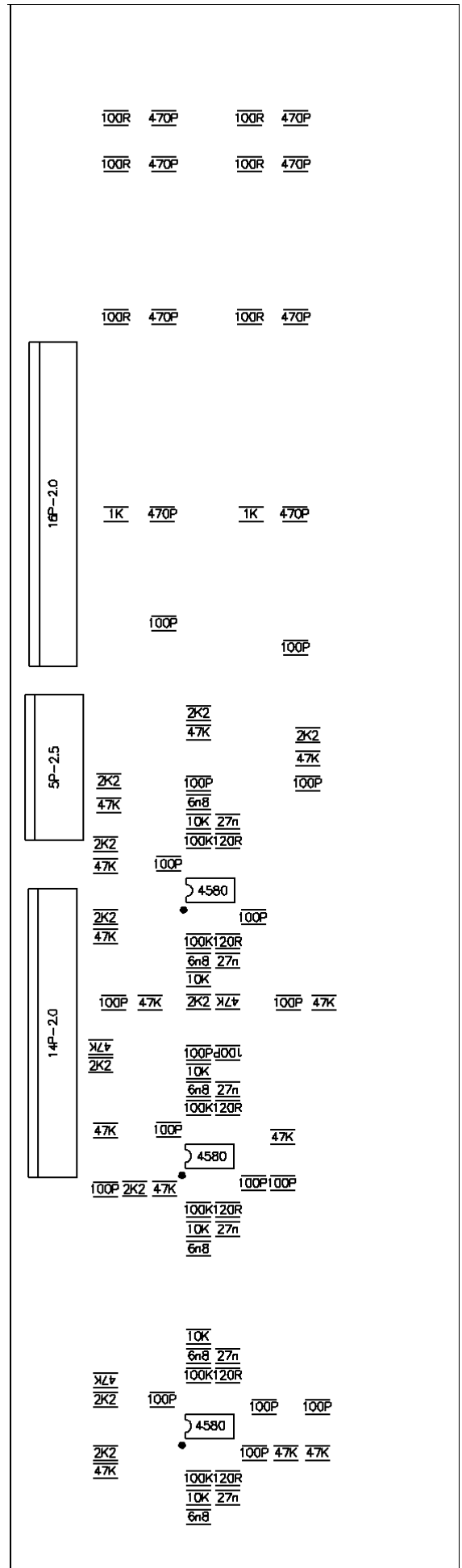
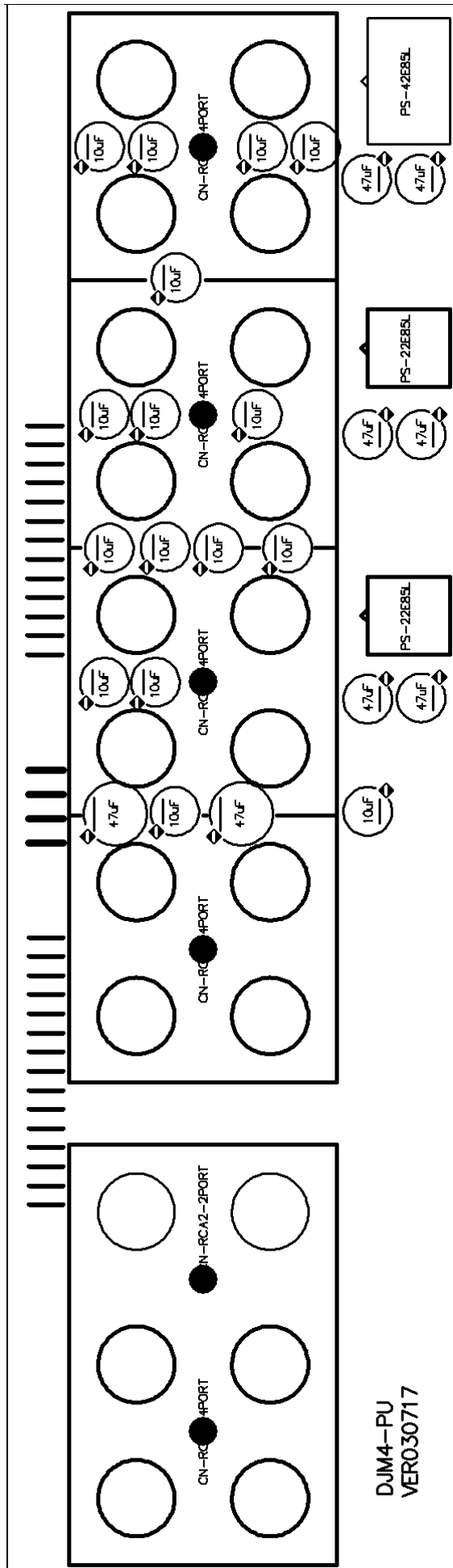


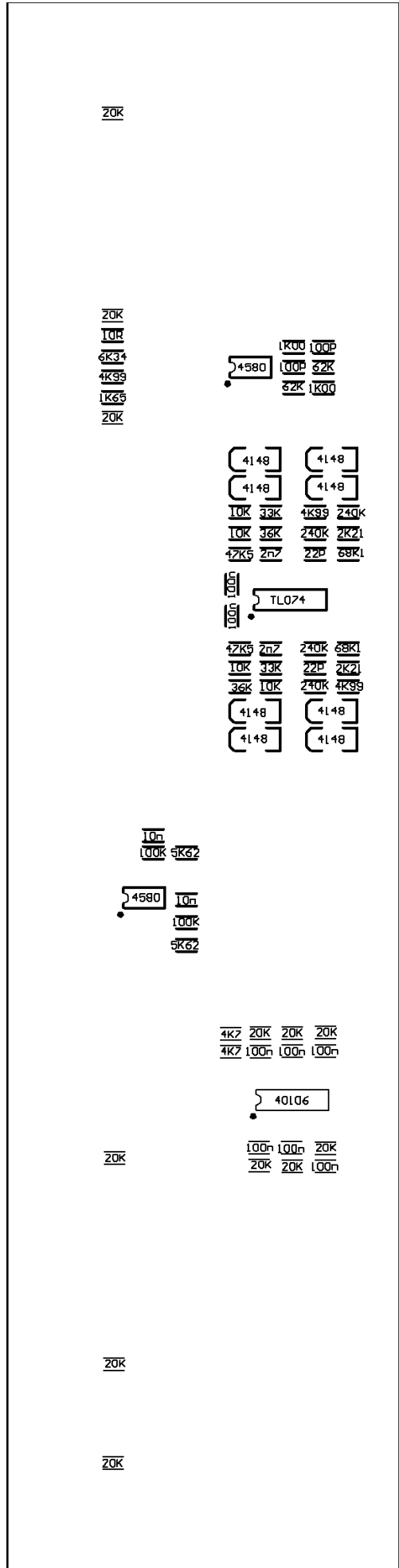
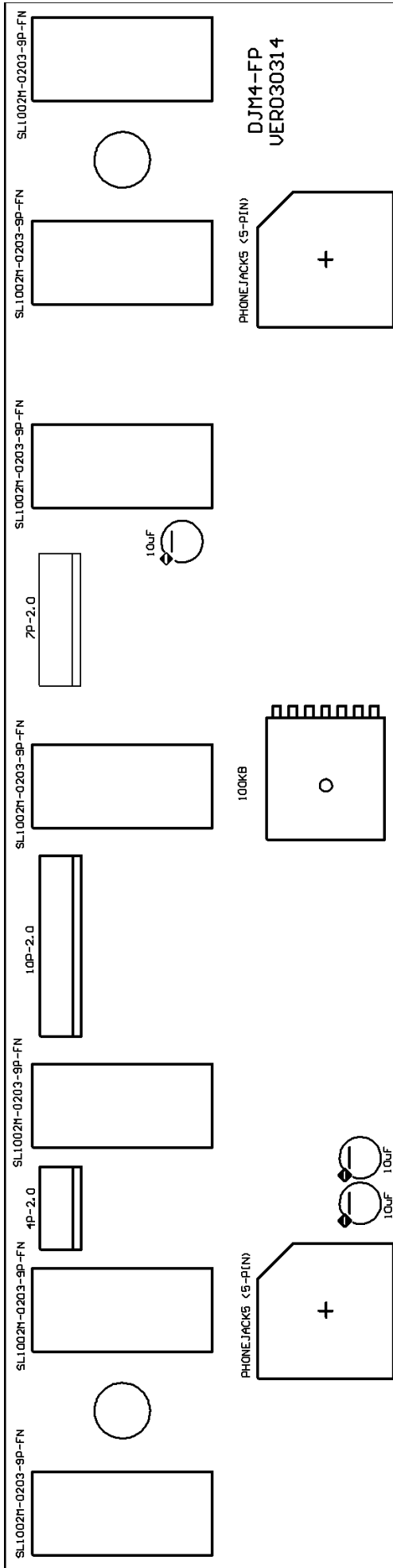
PCB : DJM3-PWR Bottom Layer

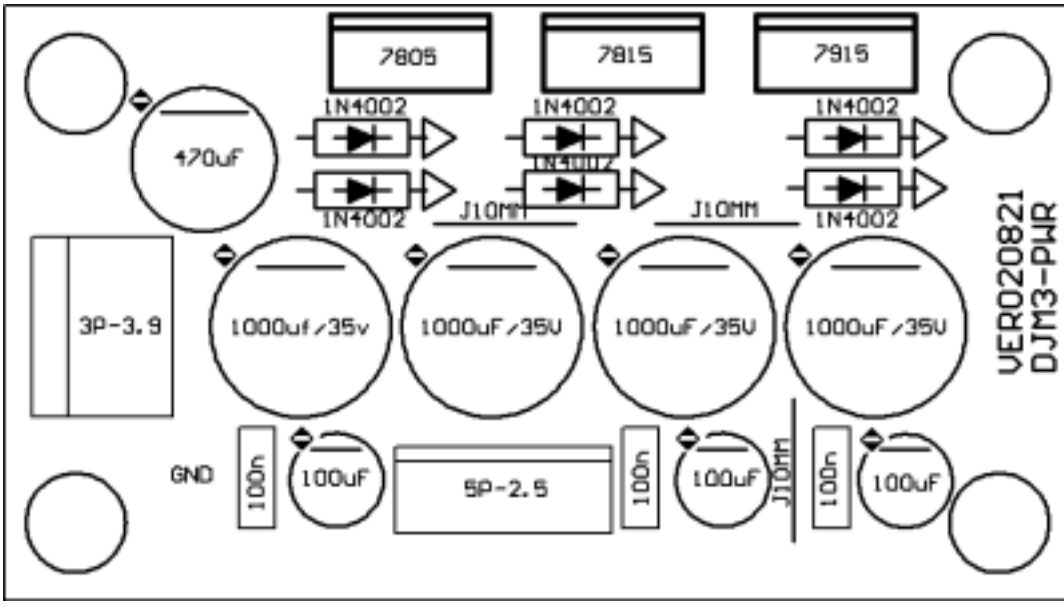


DIP

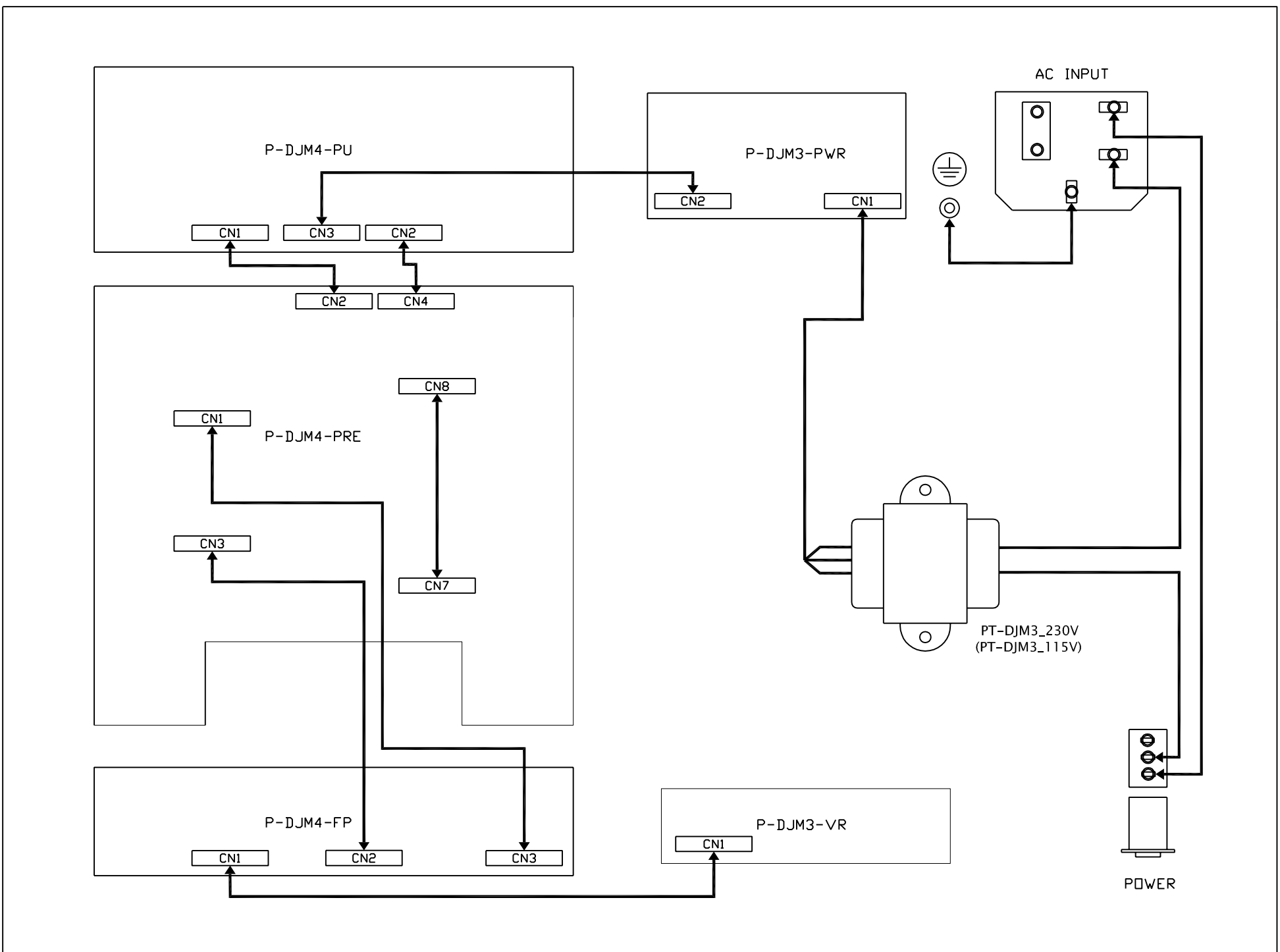
DUM4-PRE
VERO.30801







5. DJM-4 WIRE CONFIGURATION (全機配線圖)



Multi-Level BOM Structure Listing

Report No.: IEB0_P02
 Prepared by JG970003[蔡忠憲]

Date 2003/10/01
 Page No.: 1 / 19

Item No. PF00460 Version
 DESCRIPTION: DJM-4
 DJM-4 ALTO 230V Europe

UNIT: PCS
 Date: 2003/04/29

Version	Item No	Loss %	Ver.	Unit	Cardinal	Effective Date
Component Remark	Item Descri				Usage Rate	@:Phantom Layer
					Attrition	Rate
0001-----	MA03728 panel DJM-4 ALTO			PCS	1.0000 1	2003/04/29 N
0001-----	MA03726 panel DJM-4			PCS	1.0000 1	2003/01/08 N
0001-----	MA03725 panel DJM-4			PCS	1.0000 1	2002/09/23 N
0001-----	MJ00089 iron board 1.6*2135*1220 32.72kg			PCS KG	1.0000 36	2002/09/23 N
0002-----	MI01589 side board DJM-4			PCS	1.0000 1	2003/04/29 N
0001-----	MI01587 side board DJM-4			PCS	1.0000 1	2003/01/10 N
0001-----	MJ00058 iron board 1*2135*1220 20.45kg			PCS KG	1.0000 135	2002/09/23 N
0003-----	MI01583 front board DJM-4			PCS	1.0000 1	2003/04/29 N
0001-----	MJ00061 Zn-plated board 1*2135*1220 20.45kg			PCS KG	1.0000 38	2002/09/23 N
0002-----	ME00066 iron pillar M3*7			PCS	8.0000 1	2002/09/23 N
0003-----	ME00042 iron pillar hexagon6.35*M3*13			PCS	4.0000 1	2003/07/18 N
0004-----	MI01586 front board DJM-4 ALTO			PCS	1.0000 1	2003/04/29 N
0001-----	MI01585 fornt board DJM-4			PCS	1.0000 1	2003/01/10 N
0001-----	MI01584 fornt board DJM-4			PCS	1.0000 1	2003/04/16 N
0001-----	MJ00061 Zn-plated board 1*2135*1220 20.45kg			PCS KG	1.0000 88	2002/09/23 N
0005-----	MB02527 bottom board DJM-4			PCS	1.0000 1	2003/04/29 N
0001-----	MB02525 bottom board DJM-4			PCS	1.0000 1	2003/01/12 N
0001-----	MJ00058 iron board 1*2135*1220 20.45kg			PCS KG	1.0000 25	2003/01/12 N
0002-----	ME00035 iron pillar hexagon6.35*M3*6			PCS	4.0000 1	2003/01/12 N
0003-----	ME00001 screw M4*10*0.7PH			PCS	4.0000 1	2003/01/12 N
0004-----	ME00004 screw M3*10*0.5PH			PCS	2.0000 1	2003/01/12 N
0006-----	MJ01242 bracket DJM-4 ALTO			PCS	1.0000 1	2003/08/06 N
					0.00	%

Multi-Level BOM Structure Listing

Report No.: IEB0_P02
 Prepared by JG970003[蔡忠憲]

Date 2003/10/01
 Page No.: 2 / 19

Item No. PF00460 Version
 DESCRIPTION: DJM-4
 DJM-4 ALTO 230V Europe

UNIT: PCS
 Date: 2003/04/29

Version	Item No	Loss %	Ver.	Unit	Cardinal	Effective Date
Component Remark	Item Descri				Usage Rate	@:Phantom Layer
					Attrition	Rate
0001-----	MJ01079 bracket DJM-3			PCS	1.0000 1	2003/08/01 N
0001-----	MJ01078 bracket DJM-3			PCS	1.0000 1	2002/09/02 N
0001-----	MJ00089 iron board 1.6*2135*1220 32.72kg			PCS KG	1.0000 893	2002/09/02 N
0007-----	NI00826 knob 12*18 double color			PCS	19.0000 1	2003/04/29 N
0008-----	HI00019 power switch 4P MSR-8			PCS	1.0000 1	2003/04/29 N
0009-----	HD00006 fuse TSD 315mA 250V 5.2*20mm CSA/S/UL/VDE			PCS	1.0000 1	2003/04/29 N
0010-----	TC00133 transformer PT-DJM3_230V			PCS	1.0000 1	2003/04/29 N
0011-----	HA01835 P.V.C single wave wired UL1617 80 brown			PCS	1.0000 1	2003/04/29 N
0012-----	HA01174 single terminal wiring CF:W146 80 green/yellow			PCS	1.0000 1	2003/04/29 N
0013-----	MH01448 lever switch handle 5*20mm black LF20BK			PCS	3.0000 1	2003/04/29 N
0014-----	NI01164 slide trough 3.7*12*70 DJ-MIX			PCS	3.0000 1	2003/04/29 N
0015-----	NI02596 knob 17*10*11(C-B2) black			PCS	4.0000 1	2003/04/29 N
0016-----	NI01183 key 7.5*13			PCS	7.0000 1	2003/04/29 N
0017-----	NI00498 foot cushion 12.7*7*6mm(SF-005)			PCS	4.0000 1	2003/04/29 N
0018-----	NI01587 cushion 73*29*2.2 black			PCS	1.0000 1	2003/04/29 N
0019-----	NI02215 lever switch handle 32*29*12 DJM-3			PCS	7.0000 1	2003/04/29 N
0001-----	ME00073 black nut 18*8mm 5/8*27			PCS	1.0000 1	2002/08/14 N
0020-----	HC00008 AC outlet 3515 A TYPE(RF-2004-C-4.8)			PCS	1.0000 1	2003/04/29 N
0021-----	NI01862 key 5.5*5.5*14.5			PCS	3.0000 1	2003/04/29 N
0022-----	NI01863 key 5.5*W10*7.5			PCS	3.0000 1	2003/04/29 N
0023-----	@NI00261 sleeve 5*20mm			PCS	5.0000 1	2003/04/29 N
0001-----	NI00258 sleeve 5*1000mm			M	20.0000 1000	2002/06/04 N

Multi-Level BOM Structure Listing

Report No.: IEB0_P02
 Prepared by JG970003[蔡忠憲]

Date 2003/10/01
 Page No.: 3 / 19

Item No. PF00460 Version
 DESCRIPTION: DJM-4
 DJM-4 ALTO 230V Europe

UNIT: PCS
 Date: 2003/04/29

Version	Item No	Loss %	Ver.	Unit	Cardinal	Effective Date
Component Remark	Item Descri				Usage Rate	@:Phantom Layer
					Attrition	Rate
0024-----	NI02084 knob 10.5*18			PCS	1.0000 1	2003/04/29 N
0025-----	MG00324 copper pillar M3*24.5*0.5PH			PCS	2.0000 1	2003/04/29 N
0026-----	HA00861 power cord Europe 3P LT-312+LT-501			PCS	1.0000 1	2003/04/29 N
0027-----	MF00018 washer 4* 10*1t			PCS	4.0000 1	2003/04/29 N
0028-----	MG00104 screw M4*10			PCS	2.0000 1	2003/04/29 N
0029-----	NF01340 instruction DJM-4 ALTO			PCS	1.0000 1	2003/04/29 N
0001-----	NH00149 paper 889*640mm			張令	1.0000 1	2003/07/27 N
0030-----	NF00061 assurance card ALTO			PCS	1.0000 1	2003/04/29 N
0031-----	ND00037 nonwoven 77*21*0.3			PCS	4.0000 1	2003/04/29 N
0032-----	ND00036 nonwoven 30* 5*0.5			PCS	3.0000 1	2003/04/29 N
0033-----	ND00216 non-woven 15*30(2016B)			PCS	4.0000 1	2003/04/29 N
0034-----	ME00060 socket nut JY-6351G-02-250			PCS	2.0000 1	2003/04/29 N
0035-----	MF00061 washer JY-6351G-02-250			PCS	2.0000 1	2003/04/29 N
0036-----	NE05004 label ALTO			PCS	4.0000 1	2003/04/29 N
0037-----	NE10807 label DJM-4			PCS	4.0000 1	2003/04/29 N
0001-----	NH00012 bond paper 0.04*1M			M	1.0000 80	2003/02/16 N
0002-----	NI00014 membrane 0.035*1M			M	1.0000 80	2003/02/16 N
0038-----	MG00036 screw M3*4			PCS	24.0000 1	2003/04/29 N
0039-----	MG00157 screw M2.6*4			PCS	6.0000 1	2003/04/29 N
0040-----	MG00172 screw M4*10			PCS	3.0000 1	2003/04/29 N
0041-----	MF00048 washer 4* 8*0.5t			PCS	4.0000 1	2003/04/29 N
0042-----	MG00064 screw M3*10			PCS	6.0000 1	2003/04/29 N

Multi-Level BOM Structure Listing

Report No.: IEB0_P02
 Prepared by JG970003[蔡忠憲]

Date 2003/10/01
 Page No.: 4 / 19

Item No. PF00460 Version
 DESCRIPTION: DJM-4
 DJM-4 ALTO 230V Europe

UNIT: PCS
 Date: 2003/04/29

Version	Item No	Loss %	Ver.	Unit	Cardinal	Effective Date
Component Remark	Item Descri				Usage Rate	@:Phantom Layer
					Attrition	Rate
0043-----	MG00281 screw M3*6			PCS	2.0000 1	2003/04/29 N
0044-----	MG00323 screw M3*6			PCS	8.0000 1	2003/06/09 N
0045-----	MG00042 screw M3*10			PCS	2.0000 1	2003/04/29 N
0046-----	MF00038 washer 4* 7*1t			PCS	3.0000 1	2003/05/22 N
0047-----	ME00016 colour nut 4m/m			PCS	3.0000 1	2003/04/29 N
0048-----	MJ01027 heat-sink S-8			PCS	1.0000 1	2003/04/29 N
0001-----	MJ01030 heat-sink S-8			PCS	1.0000 1	2002/12/23 N
0001-----	MJ00070 AL board 4*2440*1220 32.40kg			PCS KG	1.0000 1400 0.00	2002/07/02 N %
0049-----	NI02249 caushion TW-1(TO-220)			PCS	3.0000 1	2003/04/29 N
0050-----	NC00022 insulation 0.3t*18*45mm S-8			PCS	1.0000 1	2003/04/29 N
0051-----	MG00162 screw M3*8			PCS	3.0000 1	2003/04/29 N
0052-----	ME00015 colour nut 3m/m			PCS	2.0000 1	2003/04/29 N
0053-----	MF00037 washer 3* 5*1t			PCS	5.0000 1	2003/04/29 N
0054-----	HA01554 header wiring AF:W323 5P-5P 120			PCS	1.0000 1	2003/04/29 N
0055-----	MF00004 washer 9* 14*0.5t			PCS	10.0000 1	2003/05/31 N
0056-----	ME00006 R.S nut 9			PCS	10.0000 1	2003/05/31 N
0057-----	NI01169 display board 32*23.5*2.5t 187C			PCS	2.0000 1	2003/04/29 N
0058-----	HJ00006 desiccant 30g			PCS	1.0000 1	2003/04/29 N
0059-----	NA00125 PE bag 0.04t*580*400mm			PCS KG	1.0000 1 0.00	2003/04/29 N %
0060-----	NI00218 cable tie-black ALT-102SB			PCS	5.0000 1	2003/04/29 N
0061-----	MI01617 fixed bracket 70*36*20mm DJM-3			PCS	1.0000 1	2003/04/29 N
0001-----	MJ00069 iron board 1.5*2135*1220 30.67kg			PCS KG	1.0000 930 0.00	2003/02/25 N %

Multi-Level BOM Structure Listing

Report No.: IEBO_P02
 Prepared by JG970003[蔡忠憲]

Date 2003/10/01
 Page No.: 5 / 19

Item No. PF00460 Version
 DESCRIPTION: DJM-4
 DJM-4 ALTO 230V Europe

UNIT: PCS
 Date: 2003/04/29

Version	Item No	Loss %	Ver.	Unit	Cardinal	Effective Date
Component Remark	Item Descri				Usage Rate	@:Phantom Layer Attrition Rate
0062-----	NB02156 barrier DJM-2/DJM-3/DJM-3			PCS	1.0000 1	2003/04/29 N
0063-----	NB02157 barrier DJM-2/DJM-3/DJM-3			PCS	1.0000 1	2003/04/29 N
0064-----	NB02134 box DJM-4 ALTO			PCS	1.0000 1	2003/04/29 N
0065-----	NB02135 box DJM-4			PCS	1.0000 4	2003/04/29 N
0066-----	NC00131 washer 1* 11.3* 15.3 red			PCS	2.0000 1	2003/04/29 N
0067-----	HK03880 PC board P-DJM4-FP-DIP			PCS	1.0000 1	2003/04/29 N
0001-----	CB00112 electrolytic capacitor 10uF/35V 105 4*7 C7,C8,C13			PCS	3.0000 1	2003/04/29 N
0002-----	RC00265 potentiometer B100K R1411G0A-V1B104FL00-00 VR1			PCS	1.0000 1	2003/04/29 N
0003-----	HI00034 lever switch SL1002M-0203-9P-FN SW1, SW2, SW3, SW4, SW5, SW6, SW7			PCS	7.0000 1	2003/04/29 N
0004-----	HC00371 MIC male SCJ-0658-1-Y X1,X2			PCS	2.0000 1	2003/04/29 N
0005-----	HA01402 row-wire connecting wiring 7P(male)-7P(parent) 220 CN3			PCS	1.0000 1	2003/04/29 N
0006-----	HA02084 wire 10P(male)-10P(fnale) 220mm CN2			PCS	1.0000 1	2003/04/29 N
0007-----	HA02224 wire 4P(公)-4P(母) 120mm UL1007 AWG28 CN1			PCS	1.0000 1	2003/04/29 N
0008-----	HK03881 PC board P-DJM4-FP-SMD			PCS	1.0000 1	2003/04/29 N
0001-----	HB00920 pc board DJM4-FP(1*4)_VER030314			PCS	1.0000 1	2003/04/29 N
0002-----	RD00061 SMD fixed resistor 1/10W 10 ±5% 0603 R4			PCS	1.0000 1	2003/04/29 N
0003-----	RD00093 SMD fixed resistor 1/10W 4.7K ±5% 0603			PCS	2.0000 1	2003/04/29 N

Multi-Level BOM Structure Listing

Report No.: IEB0_P02
 Prepared by JG970003[蔡忠憲]

Date 2003/10/01
 Page No.: 6 / 19

Item No. PF00460 Version
 DESCRIPTION: DJM-4
 DJM-4 ALTO 230V Europe

UNIT: PCS
 Date: 2003/04/29

Version	Item No	Loss %	Ver.	Unit	Cardinal	Effective Date
Component Remark	Item Descri				Usage Rate	@:Phantom Layer
					Attrition	Rate
	R33,R34					
0004-----	RD00306				12.0000	2003/04/29
	SMD fixed resistor 1/10W			PCS	1	N
	20K ±5% 0603				0.00	%
	R35,R36,R37,R38,R39,R40,R41,R42,R43,R44,R45,R46					
0005-----	RD00108				2.0000	2003/04/29
	SMD fixed resistor 1/10W			PCS	1	N
	33K ±5% 0603				0.00	%
	R21,R23					
0006-----	RD00353				2.0000	2003/04/29
	SMD fixed resistor 1/10W			PCS	1	N
	36K ±5% 0603				0.00	%
	R20,R24					
0007-----	RD00113				2.0000	2003/04/29
	SMD fixed resistor 1/10W			PCS	1	N
	62K ±5% 0603				0.00	%
	R31,R32					
0008-----	RD00120				4.0000	2003/04/29
	SMD fixed resistor 1/10W			PCS	1	N
	240K ±5% 0603				0.00	%
	R8,R11,R15,R18					
0009-----	RD00282				2.0000	2003/04/29
	SMD precise resistor 1/10W			PCS	1	N
	1.00K ±1% 0603				0.00	%
	R29,R30					
0010-----	RD00425				1.0000	2003/04/29
	SMD precise resistor 1/10W			PCS	1	N
	1.65K ±1% 0603				0.00	%
	R3					
0011-----	RD00284				2.0000	2003/04/29
	SMD precise resistor 1/10W			PCS	1	N
	2.21K ±1% 0603				0.00	%
	R10,R17					
0012-----	RD00209				3.0000	2003/04/29
	SMD precise resistor 1/10W			PCS	1	N
	4.99K ±1% 0603				0.00	%
	R2,R7,R14					
0013-----	RD00365				2.0000	2003/04/29
	SMD precise resistor 1/10W			PCS	1	N
	5.62K ±1% 0603				0.00	%
	R6,R13					
0014-----	RD00287				1.0000	2003/04/29
	SMD precise resistor 1/10W			PCS	1	N
	6.34K ±1% 0603				0.00	%
	R1					
0015-----	RD00214				4.0000	2003/04/29
	SMD precise resistor 1/10W			PCS	1	N
	10.0K ±1% 0603				0.00	%
	R19,R22,R27,R28					
0016-----	RD00290				2.0000	2003/04/29
	SMD precise resistor 1/10W			PCS	1	N
	47.5K ±1% 0603				0.00	%
	R25,R26					

Multi-Level BOM Structure Listing

Report No.: IEBO_P02
 Prepared by JG970003[蔡忠憲]

Date 2003/10/01
 Page No.: 7 / 19

Item No. PF00460 Version
 DESCRIPTION: DJM-4
 DJM-4 ALTO 230V Europe

UNIT: PCS
 Date: 2003/04/29

Version	Item No	Loss %	Ver.	Unit	Cardinal	Effective Date
Component Remark	Item Descri				Usage Rate	@:Phantom Layer Attrition Rate
0017-----	RD00426 SMD precise resistor 1/10W 68.1K ±1% 0603 R9,R16			PCS	2.0000 1 0.00 %	2003/04/29 N
0018-----	RD00224 SMD precise resistor 1/10W 100K ±1% 0603 R5,R12			PCS	2.0000 1 0.00 %	2003/04/29 N
0019-----	CI00051 SMD ceramic capacitor 0603 22PF/50V NPO ±5% C3,C4			PCS	2.0000 1 0.00 %	2003/04/29 N
0020-----	CI00059 SMD ceramic capacitor 0603 100PF/50V NPO ±5% C9,C12			PCS	2.0000 1 0.00 %	2003/04/29 N
0021-----	CI00068 SMD ceramic capacitor 0603 0.0027uF/25V X7R ±10 % C10,C11			PCS	2.0000 1 0.00 %	2003/04/29 N
0022-----	CI00071 SMD ceramic capacitor 0603 0.01uF/50V X7R ±10% C1,C2			PCS	2.0000 1 0.00 %	2003/04/29 N
0023-----	CI00075 SMD ceramic capacitor 0603 0.1uF/50V Y5V +80,-20% C5,C6,C14,C15,C16,C17,C18,C19			PCS	8.0000 1 0.00 %	2003/04/29 N
0024-----	SE00011 SMD rectifier diode RLS4148 0.5A (LL-34) D1,D2,D3,D4,D5,D6,D7,D8			PCS	8.0000 1 0.00 %	2003/04/29 N
0025-----	SG00122 SMD integrated circuit NJM4580M-TE3 IC1,IC3			PCS	2.0000 1 0.00 %	2003/04/29 N
0026-----	SG00130 integrated circuit HEF40106BTR PHILIPS IC4			PCS	1.0000 1 0.00 %	2003/04/29 N
0027-----	SG00001 SMD integrated circuit TL074CDT IC2			PCS	1.0000 1 0.00 %	2003/04/29 N
0068-----	HK03882 PC board P-DJM4-PU-DIP			PCS	1.0000 1 0.00 %	2003/04/29 N
0001-----	HC00403 rca SCP6873NS3232T2 4P X1,X2,X3,X4,X5			PCS	5.0000 1 0.00 %	2003/04/29 N
0002-----	HC00506 rca base SCP6933NS320000 2P red white X6			PCS	1.0000 1 0.00 %	2003/04/29 N

Multi-Level BOM Structure Listing

Report No.: IEBO_P02
 Prepared by JG970003[蔡忠憲]

Date 2003/10/01
 Page No.: 8 / 19

Item No. PF00460 Version
 DESCRIPTION: DJM-4
 DJM-4 ALTO 230V Europe

UNIT: PCS
 Date: 2003/04/29

Version	Item No	Loss %	Ver.	Unit	Cardinal	Effective Date
Component Remark	Item Descri				Usage Rate @:Phantom Layer	Attrition Rate
0003-----	CB00112 electrolytic capacitor 10uF/35V 105 4*7 C6,C7,C11,C15,C16,C19,C20,C24,C25,C28,C40,C41,C42,C52, C53,C56			PCS	16.0000 1 0.00 %	2003/04/29 N
0004-----	CB00039 electrolytic capacitor 47uF/25V 5*11 C1,C8,C14,C23,C35,C51,C61,C62			PCS	8.0000 1 0.00 %	2003/04/29 N
0005-----	HC00079 row-wire header 5P 2.5mm 180° CN3			PCS	1.0000 1 0.00 %	2003/04/29 N
0006-----	HI00162 push-button switch 2 paragraphs 6p PS-22E852L SW2,SW3			PCS	2.0000 1 0.00 %	2003/04/29 N
0007-----	HI00163 push-button switch 2 stage 12P PS-42E85 SW1			PCS	1.0000 1 0.00 %	2003/04/29 N
0008-----	HC00321 wire 14P 2.0mm 180° CN1			PCS	1.0000 1 0.00 %	2003/04/29 N
0009-----	HC00505 row-wire header 16P 2.0mm 180° CN2			PCS	1.0000 1 0.00 %	2003/04/29 N
0010-----	HK03883 PC board P-DJM4-PU-SMD			PCS	1.0000 1 0.00 %	2003/04/29 N
0001-----	HB00919 pc board DJM4-PU(1*4)_VER030717			PCS	1.0000 1 0.00 %	2003/04/29 N
0002-----	RD00068 SMD fixed resistor 1/10W 100 ±5% 0603 R38,R39,R49,R50,R51,R52			PCS	6.0000 1 0.00 %	2003/04/29 N
0003-----	RD00069 SMD fixed resistor 1/10W 120 ±5% 0603 R1,R8,R12,R21,R29,R40			PCS	6.0000 1 0.00 %	2003/04/29 N
0004-----	RD00083 SMD fixed resistor 1/10W 1.0K ±5% 0603 R36,R37			PCS	2.0000 1 0.00 %	2003/04/29 N
0005-----	RD00088 SMD fixed resistor 1/10W 2.2K ±5% 0603 R6,R7,R11,R19,R20,R28,R34,R35,R47,R48			PCS	10.0000 1 0.00 %	2003/04/29 N
0006-----	RD00101 SMD fixed resistor 1/10W 10K ±5% 0603 R2,R9,R15,R24,R30,R43			PCS	6.0000 1 0.00 %	2003/04/29 N

Multi-Level BOM Structure Listing

Report No.: IEBO_P02
 Prepared by JG970003[蔡忠憲]

Date 2003/10/01
 Page No.: 9 / 19

Item No. PF00460 Version
 DESCRIPTION: DJM-4
 DJM-4 ALTO 230V Europe

UNIT: PCS
 Date: 2003/04/29

Version	Item No	Loss %	Ver.	Unit	Cardinal	Effective Date
Component Remark	Item Descri				Usage Rate	@:Phantom Layer Attrition Rate
0007-----	RD00111 SMD fixed resistor 1/10W 47K ±5% 0603 R4,R5,R13,R14,R17,R22,R23,R27,R18,R32,R33,R45,R46,R26, R41,R42			PCS	16.0000 1 0.00 %	2003/05/22 N
0008-----	RD00116 SMD fixed resistor 1/10W 100K ±5% 0603 R3,R10,R16,R25,R31,R44			PCS	6.0000 1 0.00 %	2003/04/29 N
0009-----	CI00059 SMD ceramic capacitor 0603 100PF/50V NPO ±5% C4,C5,C12,C13,C21,C22,C29,C30,C31,C32,C33,C34,C38,C39, C45,C46,C49,C50			PCS	18.0000 1 0.00 %	2003/04/29 N
0010-----	CI00063 SMD ceramic capacitor 0603 470PF/50V NPO ±5 % C43,C44,C47,C48,C57,C58,C59,C60			PCS	8.0000 1 0.00 %	2003/04/29 N
0011-----	CI00092 SMD ceramic capacitor 0603 0.0068uF/50V X7R ±10% C3,C10,C18,C27,C37,C55			PCS	6.0000 1 0.00 %	2003/04/29 N
0012-----	CI00123 SMD ceramic capacitor 0603 0.027uF/-50V X7R ±10% C2,C9,C17,C26,C36,C54			PCS	6.0000 1 0.00 %	2003/04/29 N
0013-----	SG00122 SMD integrated circuit NJM4580M-TE3 IC1, IC2, IC3			PCS	3.0000 1 0.00 %	2003/04/29 N
0069-----	HK03878 PC board P-DJM4-PRE-DIP			PCS	1.0000 1 0.00 %	2003/04/29 N
0001-----	CB00004 electrolytic capacitor 0.47uF/50V 4*7 C198			PCS	1.0000 1 0.00 %	2003/04/29 N
0002-----	CB00009 electrolytic capacitor 1uF/50V 4*7 C211,C212,C213,C214			PCS	4.0000 1 0.00 %	2003/04/29 N
0003-----	CB00112 electrolytic capacitor 10uF/35V 105 4*7 C1,C2,C3,C4,C5,C6,C7,C8,C9,C10,C11,C12,C13,C14,C15, C16,C17,C18,C19,C20,C21,C22,C23,C24,C25,C26,C27,C28, C29,C30,C31,C32,C33,C34,C35,C36,C196,C199,C200,C201, C202,C228,C229,C232,C233,C235,C237,C242,C243,C245,C247			PCS	51.0000 1 0.00 %	2003/04/29 N
0004-----	CB00062 electrolytic capacitor 220uF/6.3V 6*7 C217			PCS	1.0000 1 0.00 %	2003/04/29 N
0005-----	SC00130 quartz crystalloid 8.00MHZ LP-3.5S(HC-49US)			PCS	1.0000 1 0.00 %	2003/04/29 N

Multi-Level BOM Structure Listing

Report No.: IEBO_P02
 Prepared by JG970003[蔡忠憲]

Date 2003/10/01
 Page No.: 10 / 19

Item No. PF00460 Version
 DESCRIPTION: DJM-4
 DJM-4 ALTO 230V Europe

UNIT: PCS
 Date: 2003/04/29

Version	Item No	Loss %	Ver.	Unit	Cardinal	Effective Date
Component Remark	Item Descri				Usage Rate	@:Phantom Layer Attrition Rate
	X1					
0006-----	HC00258 row-wire header 7P 2.0mm 180° CN1			PCS	1.0000 1 0.00 %	2003/04/29 N
0007-----	HC00397 row-wire header 10P 2.0mm 180° CN3			PCS	1.0000 1 0.00 %	2003/04/29 N
0008-----	HC00260 row wire header 9P 2.0mm 180° CN7			PCS	1.0000 1 0.00 %	2003/04/29 N
0009-----	HA01512 row-wire connector wiring 9P(male)-9P(parent) 220 CN8			PCS	1.0000 1 0.00 %	2003/04/29 N
0010-----	HA02352 wire 16P CN4			PCS	1.0000 1 0.00 %	2003/04/29 N
0011-----	HI00162 push-button switch 2 paragraphs 6p PS-22E8552L SW4,SW5,SW7,SW13			PCS	4.0000 1 0.00 %	2003/04/29 N
0012-----	HI00163 push-button switch 2 stage 12P PS-42E85 SW6			PCS	1.0000 1 0.00 %	2003/04/29 N
0013-----	HI00177 push-button switch 2段 6P PS-22E8552N(3.3*3.3)NO LOCK SW12,SW14			PCS	2.0000 1 0.00 %	2003/04/29 N
0014-----	SA00053 L.E.D high intensity 3m/m round(red)long foot 26mm LED6,LED12,LED29,LED34			PCS	4.0000 1 0.00 %	2003/04/29 N
0015-----	CB00111 electrolytic capacitor 47uF/25V 105 6*7 C203,C204,C205,C206,C207,C208,C209,C210			PCS	8.0000 1 0.00 %	2003/05/22 N
0016-----	SA00054 L.E.D high intensity 3m/m round(yellow)long foot 26 LED5,LED7,LED11,LED13,LED27,LED28,LED32,LED33			PCS	8.0000 1 0.00 %	2003/04/29 N
0017-----	SA00052 L.E.D high intensity 3m/m round(green)long foot 26 LD1,LD2,LD3,LD4,LD5,LED1,LED2,LED3,LED4,LED8,LED9, LED10,LED14,LED15,LED16,LED17,LED18,LED19,LED20,LED21, LED22,LED23,LED24,LED25,LED26,LED30,LED31,LED35,LED36			PCS	29.0000 1 0.00 %	2003/05/22 N
0018-----	NI01768 LED spacer support LEDS-16 16mm			PCS	41.0000 1 0.00 %	2003/07/15 N

Multi-Level BOM Structure Listing

Report No.: IEB0_P02
 Prepared by JG970003[蔡忠憲]

Date 2003/10/01
 Page No.: 11 / 19

Item No. PF00460 Version
 DESCRIPTION: DJM-4
 DJM-4 ALTO 230V Europe

UNIT: PCS
 Date: 2003/04/29

Version	Item No	Loss %	Ver.	Unit	Cardinal	Effective Date
Component Remark	Item Descri				Usage Rate	@:Phantom Layer Attrition Rate
	LD2, LED3, LED4, LED5, LED6, LED7, LED8, LED9, LED10, LED11, LED12, LED13, LED14, LED15, LED16, LED17, LED18, LED19, LED20, LED21, LED22, LED23, LED24, LED25, LED26, LED27, LED28, LED29, LED30, LED31, LED32, LED33, LED34, LED35, LED36, LD1, LD3, LD4, LD5, LED1, LED2					
0019-----	HI00076 lever switch SL10050-0402-9P-SN SW1, SW2, SW3			PCS	3.0000 1 0.00 %	2003/04/29 N
0020-----	RC00248 potentiometer A1K RV110-40E1-225A-A1K VR22			PCS	1.0000 1 0.00 %	2003/04/29 N
0021-----	RC00247 potentiometer B50K RV110-40E1-225A-B50K VR16			PCS	1.0000 1 0.00 %	2003/04/29 N
0022-----	RC00253 potentiometer A10K RV112B-40E1-225A-A10K VR20, VR21			PCS	2.0000 1 0.00 %	2003/04/29 N
0023-----	RC00254 potentiometer C10K RV112B-40E1-225A-C10K VR1, VR5, VR9			PCS	3.0000 1 0.00 %	2003/04/29 N
0024-----	RC00251 potentiometer B20K RV112B-40E1-225A-B20K-0C VR17, VR18			PCS	2.0000 1 0.00 %	2003/04/29 N
0025-----	RC00252 potentiometer B50K RV112B-40E1-225A-B50K VR19			PCS	1.0000 1 0.00 %	2003/04/29 N
0026-----	RC00250 potentiometer E50K RV112B-40E1-225A-E50K-0C VR2, VR3, VR4, VR6, VR7, VR8, VR10, VR11, VR12			PCS	9.0000 1 0.00 %	2003/04/29 N
0027-----	RC00266 potentiometer FA4544-20-25C1-B100K-0021 VR13, VR14, VR15			PCS	3.0000 1 0.00 %	2003/04/29 N
0028-----	HI00183 slide switch SS-23D14(2P3T) SW9, SW10, SW11			PCS	3.0000 1 0.00 %	2003/04/29 N
0029-----	HI00184 slide switch SS-22H23(2P2T) SW8			PCS	1.0000 1 0.00 %	2003/04/29 N
0030-----	HB00763 pc board DJM3-LED(1*25)_VER020823			PCS	2.0000 1 0.00 %	2003/04/29 N
0031-----	HH00015 seven paragraph monitor LTD3164-10			PCS	2.0000 1 0.00 %	2003/04/29 N

Multi-Level BOM Structure Listing

Report No.: IEBO_P02
 Prepared by JG970003[蔡忠憲]

Date 2003/10/01
 Page No.: 12 / 19

Item No. PF00460 Version
 DESCRIPTION: DJM-4
 DJM-4 ALTO 230V Europe

UNIT: PCS
 Date: 2003/04/29

Version	Item No	Loss %	Ver.	Unit	Cardinal	Effective Date
Component Remark	Item Descri				Usage Rate	@:Phantom Layer
					Attrition	Rate
	LD1					
0032-----	HC00438 row pin 2.54 180° 6P 15mm 3/9/3mm CN1,CN2			PCS	4.0000 1 0.00 %	2003/04/29 N
0033-----	HA02171 wire JST2.0 14P(male)-14P(mother) AWG28 UL1 CN2			PCS	1.0000 1 0.00 %	2003/04/29 N
0034-----	HK03879 PC board P-DJM4-PRE-SMD			PCS	1.0000 1 0.00 %	2003/04/29 N
0001-----	HB00918 pc board DJM4-PRE_VER030801			PCS	1.0000 1 0.00 %	2003/04/29 N
0002-----	RD00065 SMD fixed resistor 1/10W 47 ±5% 0603 R351, R352, R353, R354			PCS	4.0000 1 0.00 %	2003/04/29 N
0003-----	RD00068 SMD fixed resistor 1/10W 100 ±5% 0603 R338, R153, R154			PCS	3.0000 1 0.00 %	2003/04/29 N
0004-----	RD00073 SMD fixed resistor 1/10W 220 ±5% 0603 R316, R317, R318, R319, R320, R321, R322, R323, R324, R325, R326, R327, R328, R329			PCS	14.0000 1 0.00 %	2003/04/29 N
0005-----	RD00083 SMD fixed resistor 1/10W 1.0K ±5% 0603 R144, R145, R148, R149, R150, R151, R152, R155, R156, R157, R158, R159, R160, R161, R162, R163, R164, R165, R166, R167, R169, R170, R172, R361, R364, R365, R367, R368, R383, R384, R400			PCS	31.0000 1 0.00 %	2003/04/29 N
0006-----	RD00084 SMD fixed resistor 1/10W 1.2K ±5% 0603 R359, R360			PCS	2.0000 1 0.00 %	2003/04/29 N
0007-----	RD00085 SMD fixed resistor 1/10W 1.5K ±5% 0603 R26, R27, R28, R29, R30, R31, R32, R33, R34, R35, R36, R37, R38, R39, R40, R41, R42, R43, R44, R45, R46, R47, R48, R49			PCS	24.0000 1 0.00 %	2003/04/29 N
0008-----	RD00088 SMD fixed resistor 1/10W 2.2K ±5% 0603 R173, R174, R175, R176, R177, R178			PCS	6.0000 1 0.00 %	2003/04/29 N
0009-----	RD00091 SMD fixed resistor 1/10W 3.3K ±5% 0603 R88, R89, R90, R91, R92, R93, R94, R95, R96, R97, R98, R99, R100, R101, R102, R103, R104, R105			PCS	18.0000 1 0.00 %	2003/04/29 N
0010-----	RD00093 SMD fixed resistor 1/10W 4.7K ±5% 0603 R114, R115, R116, R117, R118, R119, R120, R121, R122, R123,			PCS	40.0000 1 0.00 %	2003/04/29 N

Multi-Level BOM Structure Listing

Report No.: IEBO_P02
 Prepared by JG970003[蔡忠憲]

Date 2003/10/01
 Page No.: 13 / 19

Item No. PF00460 Version
 DESCRIPTION: DJM-4
 DJM-4 ALTO 230V Europe

UNIT: PCS
 Date: 2003/04/29

Version	Item No	Loss %	Ver.	Unit	Cardinal	Effective Date
Component Remark	Item Descri				Usage Rate @:Phantom Layer	Attrition Rate
						R124, R125, R126, R127, R128, R129, R130, R131, R132, R133, R134, R135, R136, R137, R138, R139, R140, R141, R142, R143, R330, R331, R332, R333, R334, R335, R336, R337, R391, R392
0011-----	RD00099				9.0000	2003/04/29
	SMD fixed resistor 1/10W			PCS	1	N
	8.2K ±5% 0603				0.00	%
						R189, R190, R191, R192, R193, R194, R195, R196, R197
0012-----	RD00101				21.0000	2003/04/29
	SMD fixed resistor 1/10W			PCS	1	N
	10K ±5% 0603				0.00	%
						R285, R286, R287, R288, R289, R290, R291, R292, R293, R294, R295, R296, R297, R298, R299, R300, R301, R302, R303, R304, R305
0013-----	RD00102				4.0000	2003/04/29
	SMD fixed resistor 1/10W			PCS	1	N
	12K ±5% 0603				0.00	%
						R349, R350, R373, R374
0014-----	RD00103				4.0000	2003/04/29
	SMD fixed resistor 1/10W			PCS	1	N
	15K ±5% 0603				0.00	%
						R257, R258, R259, R260
0015-----	RD00104				12.0000	2003/04/29
	SMD fixed resistor 1/10W			PCS	1	N
	18K ±5% 0603				0.00	%
						R106, R107, R108, R109, R110, R111, R112, R113, R375, R377, R168, R171
0016-----	RD00306				23.0000	2003/04/29
	SMD fixed resistor 1/10W			PCS	1	N
	20K ±5% 0603				0.00	%
						R218, R219, R220, R221, R222, R223, R224, R225, R226, R227, R228, R229, R230, R231, R232, R233, R234, R235, R236, R237, R238, R239, R240
0017-----	RD00105				4.0000	2003/04/29
	SMD fixed resistor 1/10W			PCS	1	N
	22K ±5% 0603				0.00	%
						R355, R356, R357, R358
0018-----	RD00106				6.0000	2003/04/29
	SMD fixed resistor 1/10W			PCS	1	N
	27K ±5% 0603				0.00	%
						R212, R213, R214, R215, R387, R389
0019-----	RD00107				2.0000	2003/04/29
	SMD fixed resistor 1/10W			PCS	1	N
	30K ±5% 0603				0.00	%
						R204, R205
0020-----	RD00108				24.0000	2003/04/29
	SMD fixed resistor 1/10W			PCS	1	N
	33K ±5% 0603				0.00	%
						R376, R378, R12, R13, R62, R63, R64, R65, R66, R67, R68, R69, R70, R71, R72, R73, R74, R75, R76, R77, R78, R79, R80, R81
0021-----	RD00109				2.0000	2003/04/29
	SMD fixed resistor 1/10W			PCS	1	N
	39K ±5% 0603				0.00	%
						R216, R217
0022-----	RD00110				4.0000	2003/04/29
	SMD fixed resistor 1/10W			PCS	1	N
	43K ±5% 0603				0.00	%

Multi-Level BOM Structure Listing

Report No.: IEB0_P02
 Prepared by JG970003[蔡忠憲]

Date 2003/10/01
 Page No.: 14 / 19

Item No. PF00460 Version
 DESCRIPTION: DJM-4
 DJM-4 ALTO 230V Europe

UNIT: PCS
 Date: 2003/04/29

Version	Item No	Loss %	Ver.	Unit	Cardinal	Effective Date
Component Remark	Item Descri				Usage Rate	@:Phantom Layer
					Attrition	Rate
R269, R270, R271, R272						
0023-----	RD00111				25.0000	2003/04/29
	SMD fixed resistor 1/10W			PCS	1	N
	47K ±5% 0603				0.00	%
	R1, R2, R3, R4, R5, R6, R7, R8, R9, R10, R11, R14, R15, R16, R17, R18, R19, R20, R21, R22, R23, R379, R380, R381, R382					
0024-----	RD00113				6.0000	2003/04/29
	SMD fixed resistor 1/10W			PCS	1	N
	62K ±5% 0603				0.00	%
	R345, R346, R347, R348, R371, R372					
0025-----	RD00116				12.0000	2003/04/29
	SMD fixed resistor 1/10W			PCS	1	N
	100K ±5% 0603				0.00	%
	R310, R311, R312, R313, R314, R315, R362, R363, R369, R370, R385, R386					
0026-----	RD00118				2.0000	2003/04/29
	SMD fixed resistor 1/10W			PCS	1	N
	150K ±5% 0603				0.00	%
	R341, R342					
0027-----	RD00424				2.0000	2003/04/29
	SMD fixed resistor 1/10W			PCS	1	N
	180K ±5% 0603				0.00	%
	R343, R344					
0028-----	RD00307				1.0000	2003/04/29
	SMD fixed resistor 1/10W			PCS	1	N
	560K ±5% 0603				0.00	%
	R339					
0029-----	RD00125				3.0000	2003/04/29
	SMD fixed resistor 1/10W			PCS	1	N
	1.0M ±5% 0603				0.00	%
	R179, R180, R181					
0030-----	RD00395				1.0000	2003/04/29
	SMD fixed resistor 1/10W			PCS	1	N
	1.2M ±5% 0603				0.00	%
	R340					
0031-----	RD00361				6.0000	2003/04/29
	SMD precise resistor 1/10W			PCS	1	N
	511 ±1% 0603				0.00	%
	R198, R199, R200, R201, R202, R203					
0032-----	RD00204				14.0000	2003/04/29
	SMD precise resistor 1/10W			PCS	1	N
	2.49K ±1% 0603				0.00	%
	R24, R25, R50, R51, R52, R53, R54, R55, R56, R57, R58, R59, R60, R61					
0033-----	RD00206				6.0000	2003/04/29
	SMD precise resistor 1/10W			PCS	1	N
	3.57K ±1% 0603				0.00	%
	R261, R262, R263, R264, R306, R307, R308, R309					
0034-----	RD00397				4.0000	2003/04/29
	SMD precise resistor 1/10W			PCS	1	N
	4.22K ±1% 0603				0.00	%
	R265, R266, R267, R268					

Multi-Level BOM Structure Listing

Report No.: IEB0_P02
 Prepared by JG970003[蔡忠憲]

Date 2003/10/01
 Page No.: 15 / 19

Item No. PF00460 Version
 DESCRIPTION: DJM-4
 DJM-4 ALTO 230V Europe

UNIT: PCS
 Date: 2003/04/29

Version	Item No	Loss %	Ver.	Unit	Cardinal	Effective Date
Component Remark	Item Descri				Usage Rate	@:Phantom Layer Attrition Rate
0035-----	RD00288 SMD precise resistor 1/10W 6.81K ±1% 0603 R208, R209, R210, R211, R241, R242, R243, R244			PCS	8.0000 1 0.00 %	2003/04/29 N
0036-----	RD00213 SMD precise resistor 1/10W 7.50K ±1% 0603 R206, R207			PCS	2.0000 1 0.00 %	2003/04/29 N
0037-----	RD00289 SMD precise resistor 1/10W 8.06K ±1% 0603 R82, R83, R84, R85, R86, R87			PCS	6.0000 1 0.00 %	2003/04/29 N
0038-----	RD00328 SMD precise resistor 1/10W 8.66K ±1% 0603 R245, R246, R247, R248			PCS	4.0000 1 0.00 %	2003/04/29 N
0039-----	RD00367 SMD precise resistor 1/10W 15.4K ±1% 0603 R277, R278, R279, R280, R281, R282, R283, R284			PCS	8.0000 1 0.00 %	2003/04/29 N
0040-----	RD00370 SMD precise resistor 1/10W 33.2K ±1% 0603 R273, R274, R275, R276			PCS	4.0000 1 0.00 %	2003/04/29 N
0041-----	RD00359 SMD precise resistor 1/10W 37.4K ±1% 0603 R249, R250, R251, R252, R253, R254, R255, R256			PCS	8.0000 1 0.00 %	2003/04/29 N
0042-----	RD00371 SMD precise resistor 1/10W 51.1K ±1% 0603 R183, R184, R185			PCS	3.0000 1 0.00 %	2003/04/29 N
0043-----	RD00318 SMD precise resistor 1/10W 200K ±1% 0603 R186, R187, R188			PCS	3.0000 1 0.00 %	2003/04/29 N
0044-----	CI00109 SMD ceramic capacitor 0603 20PF/50v NPO ±5% C183, C184, C185, C186, C187, C188, C189, C190, C191, C192, C193, C194, C234, C236			PCS	14.0000 1 0.00 %	2003/04/29 N
0045-----	CI00055 SMD ceramic capacitor 0603 47PF/50V NPO ±5% C226, C227, C230, C231, C244, C246			PCS	6.0000 1 0.00 %	2003/04/29 N
0046-----	CI00056 SMD ceramic capacitor 0603 56PF/50V NPO ±5% C85, C86, C87, C88, C89, C90, C91, C92			PCS	8.0000 1 0.00 %	2003/04/29 N
0047-----	CI00059 SMD ceramic capacitor 0603 100PF/50V NPO ±5% C179, C180, C181, C182			PCS	4.0000 1 0.00 %	2003/04/29 N

Multi-Level BOM Structure Listing

Report No.: IEBO_P02
 Prepared by JG970003[蔡忠憲]

Date 2003/10/01
 Page No.: 16 / 19

Item No. PF00460 Version
 DESCRIPTION: DJM-4
 DJM-4 ALTO 230V Europe

UNIT: PCS
 Date: 2003/04/29

Version	Item No	Loss %	Ver.	Unit	Cardinal	Effective Date
Component Remark	Item Descri				Usage Rate	@:Phantom Layer
					Attrition	Rate
0048-----	C100060 SMD ceramic capacitor 0603 150PF/50V NPO ±5% C215,C216			PCS	2.0000 1 0.00 %	2003/04/29 N
0049-----	C100061 SMD ceramic capacitor 0603 220PF/50V NPO ±5% C37,C38,C39,C40,C41,C42			PCS	6.0000 1 0.00 %	2003/04/29 N
0050-----	C100096 SMD ceramic capacitor 0603 560PF/50V NPO ±5 % C96,C97,C98,C99,C100,C101			PCS	6.0000 1 0.00 %	2003/04/29 N
0051-----	C100065 SMD ceramic capacitor 0603 0.001uF/50V X7R ±10% C171,C172,C173,C174,C175,C176,C177,C178			PCS	8.0000 1 0.00 %	2003/04/29 N
0052-----	C100067 SMD ceramic capacitor 0603 0.0022uF/50V X7R ±10% C122,C123,C124,C125			PCS	4.0000 1 0.00 %	2003/04/29 N
0053-----	C100070 SMD ceramic capacitor 0603 0.0039uF/25V X7R ±10% C106,C107,C108,C109			PCS	4.0000 1 0.00 %	2003/04/29 N
0054-----	C100090 SMD ceramic capacitor 0603 0.0047uF/50V X7R ±10% C126,C127,C128,C129,C130,C131,C132,C133,C134,C135, C136,C137			PCS	12.0000 1 0.00 %	2003/04/29 N
0055-----	C100091 SMD ceramic capacitor 0603 0.0056uF/50V X7R ±10% C79,C80,C81,C82,C83,C84			PCS	6.0000 1 0.00 %	2003/04/29 N
0056-----	C100092 SMD ceramic capacitor 0603 0.0068uF/50V X7R ±10% C73,C74,C75,C76,C77,C78			PCS	6.0000 1 0.00 %	2003/04/29 N
0057-----	C100071 SMD ceramic capacitor 0603 0.01uF/50V X7R ±10% C55,C56,C57,C58,C59,C60,C61,C62,C63,C64,C65,C66,C67, C68,C69,C70,C71,C72			PCS	18.0000 1 0.00 %	2003/04/29 N
0058-----	C100072 SMD ceramic capacitor 0603 0.022uF/50V X7R ±10% C118,C119,C120,C121			PCS	4.0000 1 0.00 %	2003/04/29 N
0059-----	C100123 SMD ceramic capacitor 0603 0.027uF/-50V X7R ±10% C93,C94,C95			PCS	3.0000 1 0.00 %	2003/04/29 N
0060-----	C100139 SMD ceramic capacitor 0603 0.039uF/25V X7R ±10% C102,C103,C104,C105			PCS	4.0000 1 0.00 %	2003/04/29 N

Multi-Level BOM Structure Listing

Report No.: IEB0_P02
 Prepared by JG970003[蔡忠憲]

Date 2003/10/01
 Page No.: 17 / 19

Item No. PF00460 Version
 DESCRIPTION: DJM-4
 DJM-4 ALTO 230V Europe

UNIT: PCS
 Date: 2003/04/29

Version	Item No	Loss %	Ver.	Unit	Cardinal	Effective Date
Component Remark	Item Descri				Usage Rate	@:Phantom Layer
					Attrition	Rate
0061-----	C100074 SMD ceramic capacitor 0603 0.047uF/25V X7R ±10 % C110, C111, C112, C113, C114, C115, C116, C117			PCS	8.0000 1 0.00 %	2003/04/29 N
0062-----	C100128 SMD ceramic capacitor 0603 0.1uF/25V Y5V +80; -20% C138, C139, C140, C141, C142, C143, C144, C145, C146, C147, C148, C149, C150, C153, C154, C155, C156, C157, C158, C159, C160, C161, C162, C163, C164, C165, C166, C167, C168, C195, C197, C220, C221, C222, C223, C224, C225, C238, C239, C240, C241, C248, C249, C151, C152			PCS	45.0000 1 0.00 %	2003/08/06 N
0063-----	C100094 SMD ceramic capacitor 0603 0.15uF/50V Y5V +80; -20% C43, C44, C45, C46, C47, C48, C49, C50, C51, C52, C53, C54			PCS	12.0000 1 0.00 %	2003/04/29 N
0064-----	SE00016 SMD zener diode 1/2W 5.1V(RLZ5.1B) LL-34 ZD1, ZD2, ZD3, ZD4			PCS	4.0000 1 0.00 %	2003/04/29 N
0065-----	SE00029 diode FM103 D17			PCS	1.0000 1 0.00 %	2003/04/29 N
0066-----	SF00004 SMD transistor 2SA1036K(R) (MMBT3906LT1) TR1, TR2, TR3, TR4, TR5, TR6, TR7, TR8, TR9, T10, T11, T12			PCS	12.0000 1 0.00 %	2003/04/29 N
0067-----	SF00039 SMD field effect transistor MMBFJ112/PMBFJ112(SOT-23) TR15, TR16, TR17, TR18			PCS	4.0000 1 0.00 %	2003/04/29 N
0068-----	SE00011 SMD rectifier diode RLS4148 0.5A (LL-34) D1, D2, D3, D4, D5, D6, D7, D8, D9, D10, D11, D12, D13, D14, D15, D16			PCS	16.0000 1 0.00 %	2003/04/29 N
0069-----	SG00131 integrated circuit SSM2164S IC17, IC18			PCS	2.0000 1 0.00 %	2003/04/29 N
0070-----	SG00001 SMD integrated circuit TL074CDT IC27, IC1, IC2, IC3, IC4, IC5, IC6, IC7, IC8, IC9, IC10, IC11, IC12, IC13, IC14			PCS	15.0000 1 0.00 %	2003/04/29 N
0071-----	SG00046 SMDintegrated circuit HEF4051BTR IC19, IC20, IC21, IC22			PCS	4.0000 1 0.00 %	2003/04/29 N
0072-----	SG00122 SMD integrated circuit NJM4580M-TE3 IC15, IC16, IC28, IC30			PCS	4.0000 1 0.00 %	2003/04/29 N

Multi-Level BOM Structure Listing

Report No.: IEB0_P02
 Prepared by JG970003[蔡忠憲]

Date 2003/10/01
 Page No.: 18 / 19

Item No. PF00460 Version
 DESCRIPTION: DJM-4
 DJM-4 ALTO 230V Europe

UNIT: PCS
 Date: 2003/04/29

Version	Item No	Loss %	Ver.	Unit	Cardinal Usage Rate	Effective Date @:Phantom Layer Attrition Rate
0073-----	SG00129 integrated circuit SN8P1707Q IC23			PCS	1.0000 1 0.00 %	2003/04/29 N
0074-----	C000006 SMD inductance BLM21A102SPT L1			PCS	1.0000 1 0.00 %	2003/08/06
0035-----	CB00055 electrolytic capacitor 220uF/16V 8*11 C219			PCS	1.0000 1 0.00 %	2003/08/06
0070-----	HK03278 K-PC board P-DJM3-VR			PCS	1.0000 1 0.00 %	2003/04/29 N
0001-----	HB00762 pc board DJM3-VR(1*10)_VER020822			PCS	1.0000 1 0.00 %	2002/10/30 N
0002-----	RC00261 potentiometer B100K RA45D2-211-15C1-B100K-003 VR1			PCS	1.0000 1 0.00 %	2002/10/30 N
0003-----	HC00249 row-wire header 4P 2.0mm 90° CN1			PCS	1.0000 1 0.00 %	2002/10/30 N
0071-----	HK03283 K-PC board P-DJM3-PWR			PCS	1.0000 1 0.00 %	2003/04/29 N
0001-----	HB00759 pc board DJM3-PWR(1*8)_VER020821			PCS	1.0000 1 0.00 %	2002/10/30 N
0002-----	SA00094 rectifier diode 1N4002/100V D1, D2, D3, D4, D5, D6			PCS	6.0000 1 0.00 %	2002/10/30 N
0003-----	HA01925 jumper wire 10mm J1, J2, J3			PCS	3.0000 1 0.00 %	2002/10/30 N
0001-----	HA02249 wire 0.6			M KG	0.0200 1 0.00 %	2002/09/19 N
0004-----	CB00065 electrolytic capacitor 470uF/25V 10*16 C32			PCS	1.0000 1 0.00 %	2002/10/30 N
0005-----	CA00052 ceramic capacitor 0.1uF SL C33, C34, C35			PCS	3.0000 1 0.00 %	2002/10/30 N
0006-----	CB00047 electrolytic capacitor 100uF/25V 6*11 C15, C16, C21			PCS	3.0000 1 0.00 %	2002/10/30 N

Multi-Level BOM Structure Listing

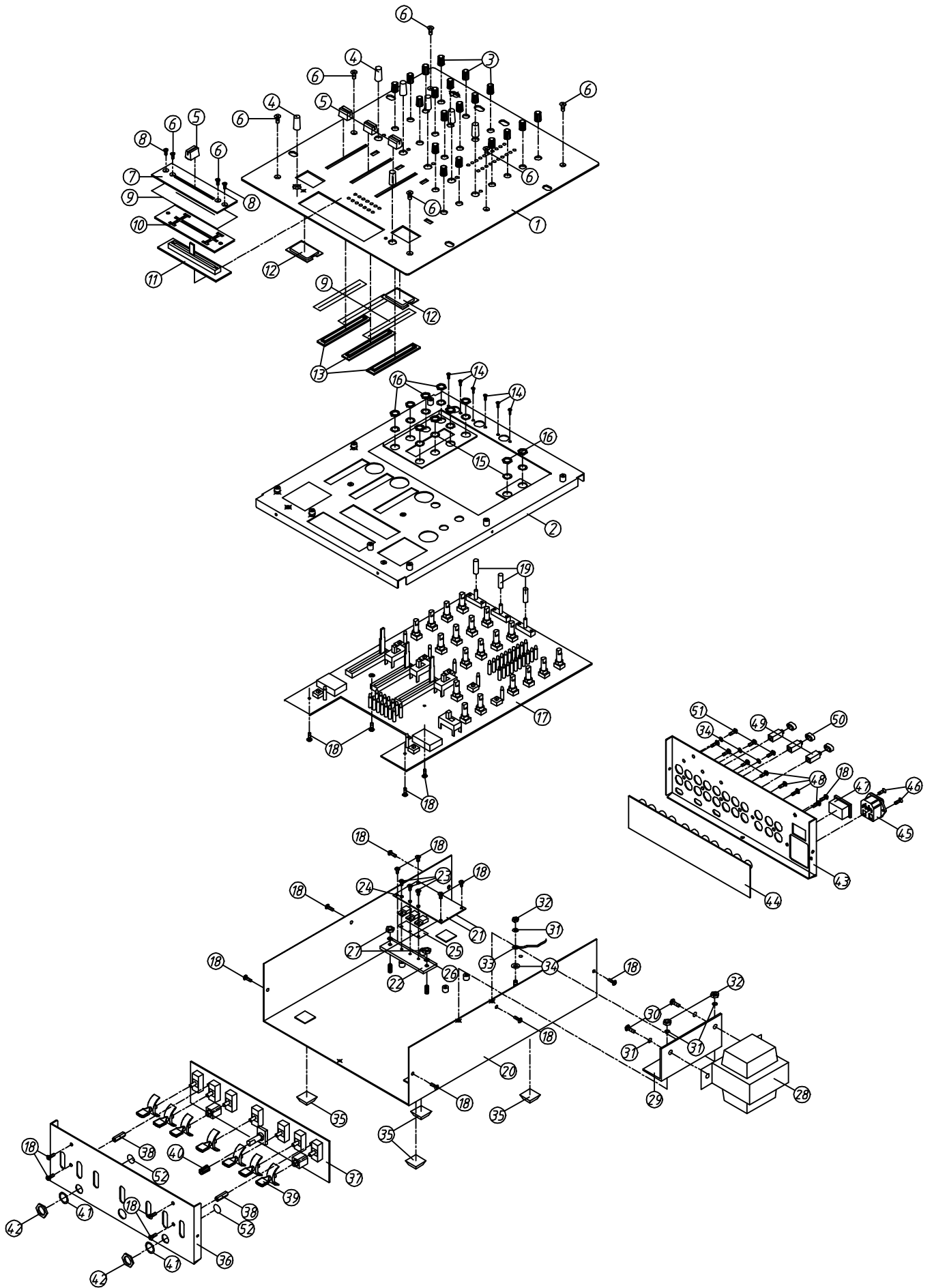
Report No.: IEBO_P02
 Prepared by JG970003[蔡忠憲]

Date 2003/10/01
 Page No.: 19 / 19

Item No. PF00460 Version
 DESCRIPTION: DJM-4
 DJM-4 ALTO 230V Europe

UNIT: PCS
 Date: 2003/04/29

Version	Item No Item Descri	Loss %	Ver.	Unit	Cardinal Usage Rate @: Attrition Rate	Effective Date Phantom Layer Rate
0007-----	CB00073 electrolytic capacitor 1000uF/35V 13*20 C28,C29,C30,C31			PCS	4.0000 1 0.00 %	2002/10/30 N
0008-----	SD00077 integrated circuit 7815(TO-220) Q3			PCS	1.0000 1 0.00 %	2002/10/30 N
0009-----	SD00079 integrated circuit 7915(TO-220) Q1			PCS	1.0000 1 0.00 %	2002/10/30 N
0010-----	SD00074 integrated circuit 7805(TO-220) Q2			PCS	1.0000 1 0.00 %	2002/10/30 N
0011-----	HC00172 row-wire header 3P 3.96mm 180° CN1			PCS	1.0000 1 0.00 %	2002/10/30 N
0012-----	HC00079 row-wire header 5P 2.5mm 180° CN2			PCS	1.0000 1 0.00 %	2002/10/30 N
0072-----	NI01272 handle for wireless coloful box			PCS	1.0000 1 0.00 %	2003/05/24 N



		Mechanical Parts List		
Model No.		ALTO DJM-4		
NO	Item No	Item Description		pcs
1	MA03728	panel	DJM-4 ALTO	1
2	MI01583	front board	DJM-4	1
3	NI00826	knob	12*18 double color	19
4	NI01183	key	7.5*13	7
5	NI02596	knob	17*10*11(C-B2) black	4
6	MG00323	screw	M3*6	8
7	MJ01078	bracket	DJM-3	1
8	MG00281	screw	M3*6	2
9	ND00037	nonwoven	77*21*0.3	4
10	NI01587	cushion	73*29*2.2 black	1
11	HK03278	K-PC board	P-DJM3-VR	1
12	NI01169	display board	32*23.5*2.5t 187C	2
13	NI01164	slide trough	3.7*12*70 DJ-MIX	3
14	MG00157	screw	M2.6*4	6
15	MF00004	washer	9* 14*0.5t	10
16	ME00006	R.S nut	9	10
17	HK03878	PC board	P-DJM4-PRE-DIP	1
18	MG00036	screw	M3*4	24
19	MH01448	lever switch handle	5*20mm black LF20BK	3
20	MB02527	bottom board	DJM-4	1
21	HK03283	K-PC board	P-DJM3-PWR	1
22	MJ01027	heat-sink	S-8	1
23	MG00162	screw	M3*8	3
24	NI02249	caushion	TW-1(T0-220)	3
25	NC00022	insulation	0.3t*18*45mm S-8	1
26	MF00037	washer	3* 5*1t	5
27	ME00015	colour nut	3m/m	2
28	TC00133	transformer	PT-DJM3_230V	1
29	MI01617	fixed bracket	70*36*20mm DJM-3	1
30	MG00104	screw	M4*10	2
31	MF00018	washer	4* 10*1t	4
32	ME00016	colour nut	4m/m	3
33	HA01174	signle terminal wiring CF:W146	80 green/yellow	1
34	MF00048	washer	4* 8*0.5t	4
35	NI00498	foot cushion	12.7*7*6mm(SF-005)	4
36	MI01586	front board	DJM-4 ALTO	1
37	HK03880	PC board	P-DJM4-FP-DIP	1
38	MG00324	copper piller	M3*24.5*0.5PH	2
39	NI02215	lever switch handle	32*29*12 DJM-3	7
40	NI02084	knob	10.5*18	1
41	MF00061	washer	JY-6351G-02-250	2
42	ME00060	socket nut	JY-6351G-02-250	2
43	MI01589	side board	DJM-4	1
44	HK03882	PC board	P-DJM4-PU-DIP	1
45	HC00008	AC outlet	3515 A TYPE(RF-2004-C-4.8)	1
46	MG00042	screw	M3*10	2

47	HI00019	power switch	4P MSR-8	1
48	MG00064	screw	M3*10	6
49	NI01862	key	5.5*5.5*14.5	3
50	NI01863	key	5.5*W10*7.5	3
51	MG00172	screw	M4*10	3
52	NC00131	washer	1* 11.3* 15.3 red	1