

Service *Manual*

MODEL:DPA 2500/4000



www.altoproaudio.com

Version 2.0

CONTENTS

1. Introduction.....	2
2. Specification.....	3
3. Schematic Diagram.....	4
4. Wiring Diagram.....	17
5. PCB Layout.....	19
6. Test Procedure & Test Result.....	25
7. Exploded Views & Mechanical Part List.....	30
8. BOM.....	33

1. Introduction

ALTO MISTRAL amplifiers are series of innovative design power amplifiers. This series work under high stability with great power supply in just 2-rack spaces. Air flow is from back to front panel to keep in a nice air circulation inside the Rack. The automatic fan, which affects machines' temperature includes various kinds of speed, therefore, this low-noise fan makes a good result in cooling the heat from machines.

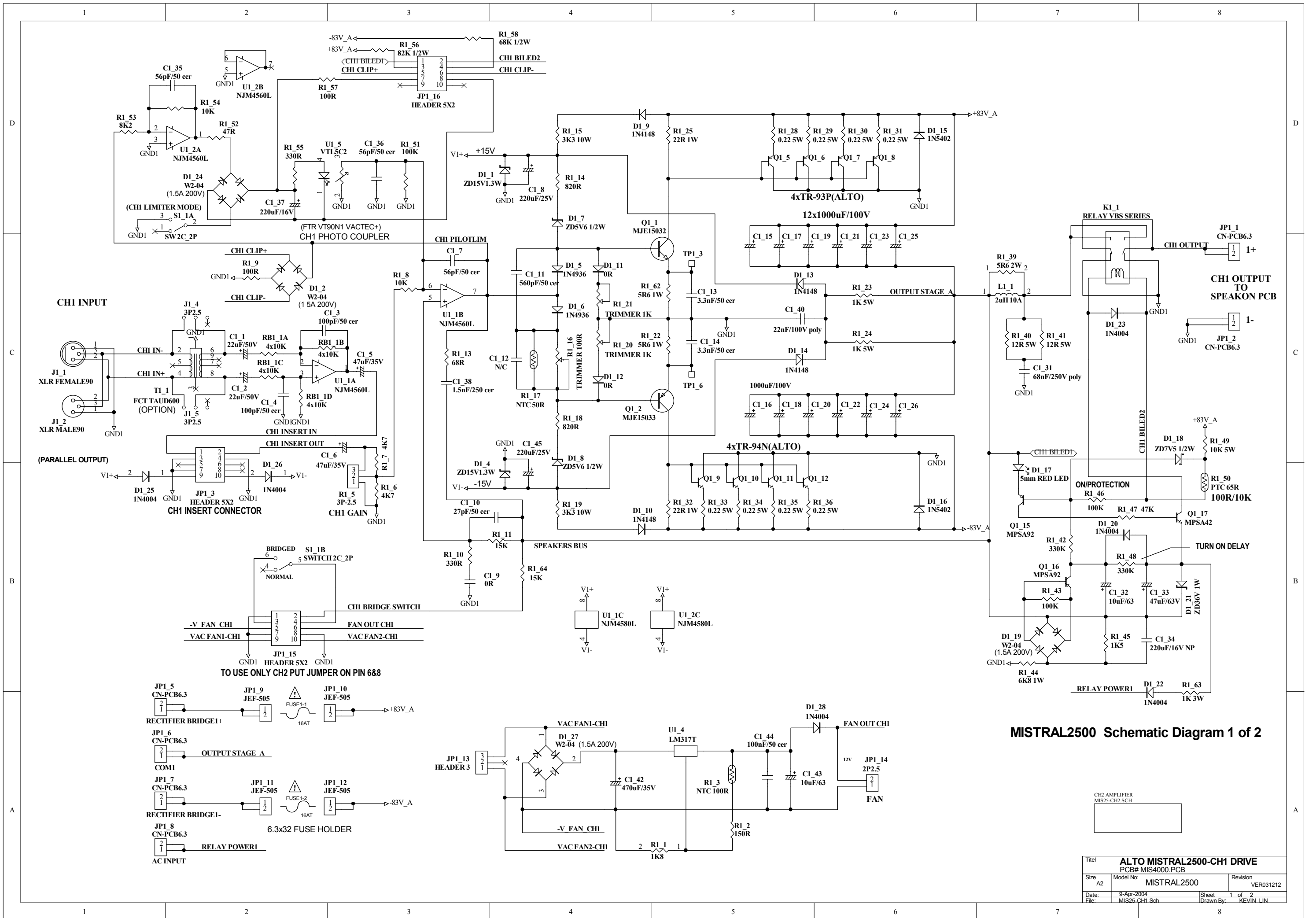
MISTRAL amplifiers include 2 independent channels with separate protection system and power supply. The independent protection system avoids opening circuit, short, wrong loading or over-heating. The special-designed protective system applies automatically restarting functions upon the default status and then goes back to normal.

All electronic inputs equip standard power connectors. And all inputs are electronic balanced, with hi-quality transformer, MISTRAL amplifiers provide an outstanding performance in any conditions.

- Innovative design and high stability power amplifiers.
- Fan-cooled AB class high power amplifier in 19"rack, 2Usize
- Rugged amplifiers in a strong, compact chassis.
- 2 independent channels with separate protection system and power supply
- smart-designed protection system for auto re-operation after fault.
- Auto-adjusting speed fan.
- 4LEDs for operation/protection, limit, power on and clip
- HIGH-CURRENT TOROIDAL TRANSFORMER DESIGNED FOR HIGH POWER AT 2 Ohms with low noise.
- Independent DC and thermal overload protection on each channel.
- IEC standard power connectors.
- Binding post and NEUTRIK® SPEAKON outputs power connectors.
- Balanced XLR inputs/ parallel outputs.

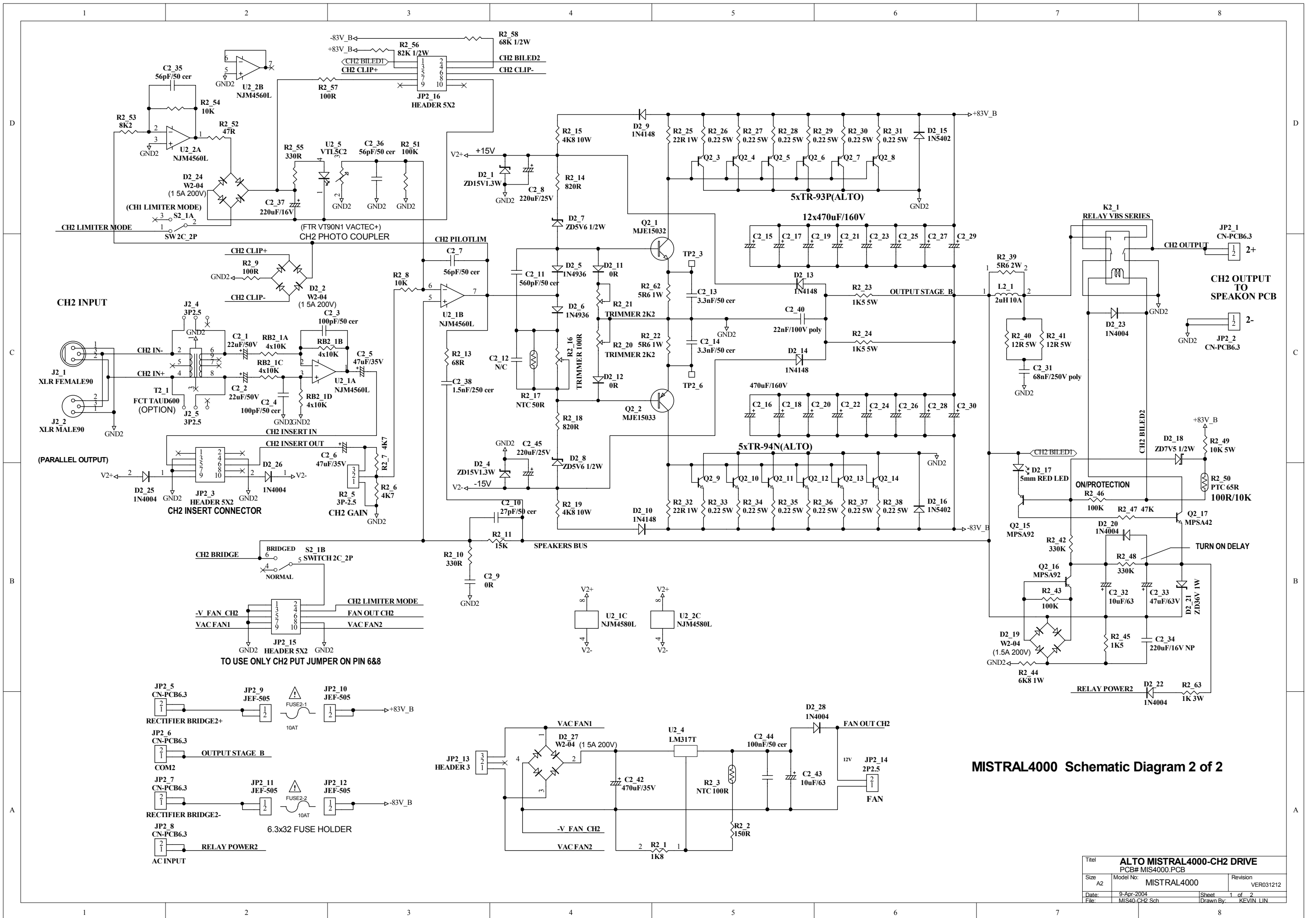
2. Specification

Output power	DPA2500	DPA 4000
20Hz-20KHz @0.1% THD, SCD MODE		
8Ohms per channel(EIAJ)	450W	625W
4Ohms per channel (EIAJ)	700W	1000W
Bridge MONO mode		
8Ohms ,1KHz, 0.1% THD	1400W	2000W
Distortion (SMPTE-IM)	<0.05%	
Frequency response	20Hz-20KHz=/ \pm 0.1dB, -3dB points:10Hz-60Hz	
Damping factor ,1 kHz and below	>300 at 8 Ohms	
Signal to noise ,20Hz`20KHz	102dB	
Voltage Gain	40 X(32dB)	
Input sensitivity @4Ohms	1Vrms	
Input clipping	10Vrms(+22dB)	
Input impedance	10kOhms unbalanced, 20k Ohms balanced 56(36dB)	
Controls	Front :AC switch ,CH1&CH2 Gain knobs Rear :Limiter bridge selector	
Indicators (1per channel)	Power-on : Blue LED Operation/Protection: Dual Color(green/red LED) Limit: Red LED Clip: Red LED	
Connectors, each channel	Input: Active balanced XLR Parallel output: XLR Output: NEUTRIK speaker and binding posts	
Cooling	Continuously variable-speed fan, rear-to front air flow	
Load protection	On/off muting, DC-fault load grounding relay, internal fault fuses.	
Power requirements	200-240(100-120)VAC 50-60Hz	
Dimensions	19"(48.3cm) rack mounting, 3.5"(8.9cm) tall (2rackspaces) 15.9"(40cm)deep (rack mounting to rear support ears)	
weight	18.1kg (Net)	20.5kg (Net)



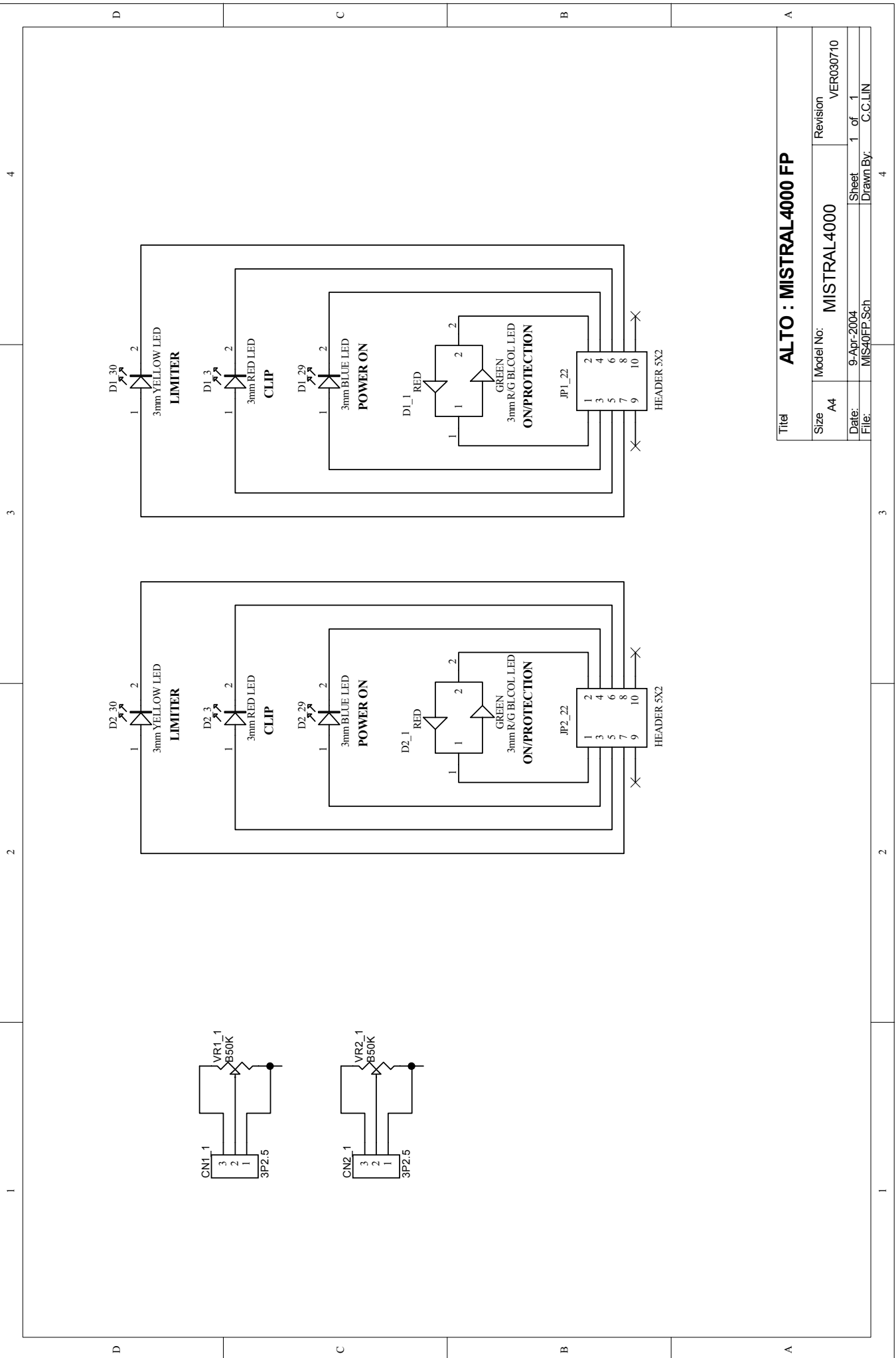
MISTRAL2500 Schematic Diagram 1 of 2

Title			ALTO MISTRAL2500-CH1 DRIVE		
PCB# MIS4000.PCB					
Size	Model No.	Revision			
A2	MISTRAL2500	VER031212			
Date:	9-Apr-2004	Sheet	1 of 2		
File:	MIS25-CH1.Sch	Drawn By:	KEVIN LIN		



MISTRAL4000 Schematic Diagram 2 of 2

Titel			ALTO MISTRAL4000-CH2 DRIVE		
Size			PCB# MIS4000.PCB		
A2	Model No.	MISTRAL4000	Revision	VER031212	
Date:	9-Apr-2004	Sheet	1 of 2		
File:	MIS40-CH2 Sch	Drawn By:	KEVIN LIN		



Titel		ALTO : MISTRAL4000 FP	
Size	A4	Model No:	MISTRAL4000
		Revision	VER030710
Date:	9-Apr-2004	Sheet	1 of 1
File:	MIS40FP.Sch	Drawn By:	C.C.LIN

4

3

2

1

3

2

1

D

C

B

A

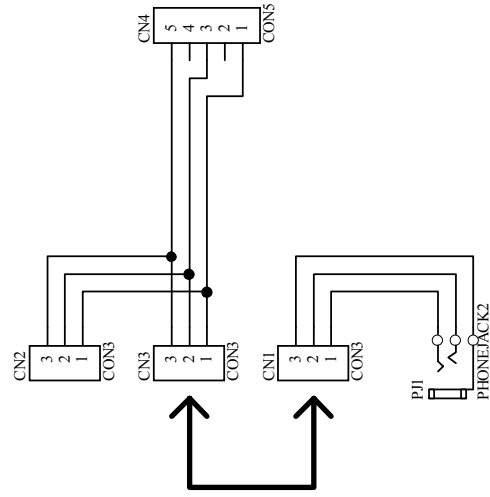
D

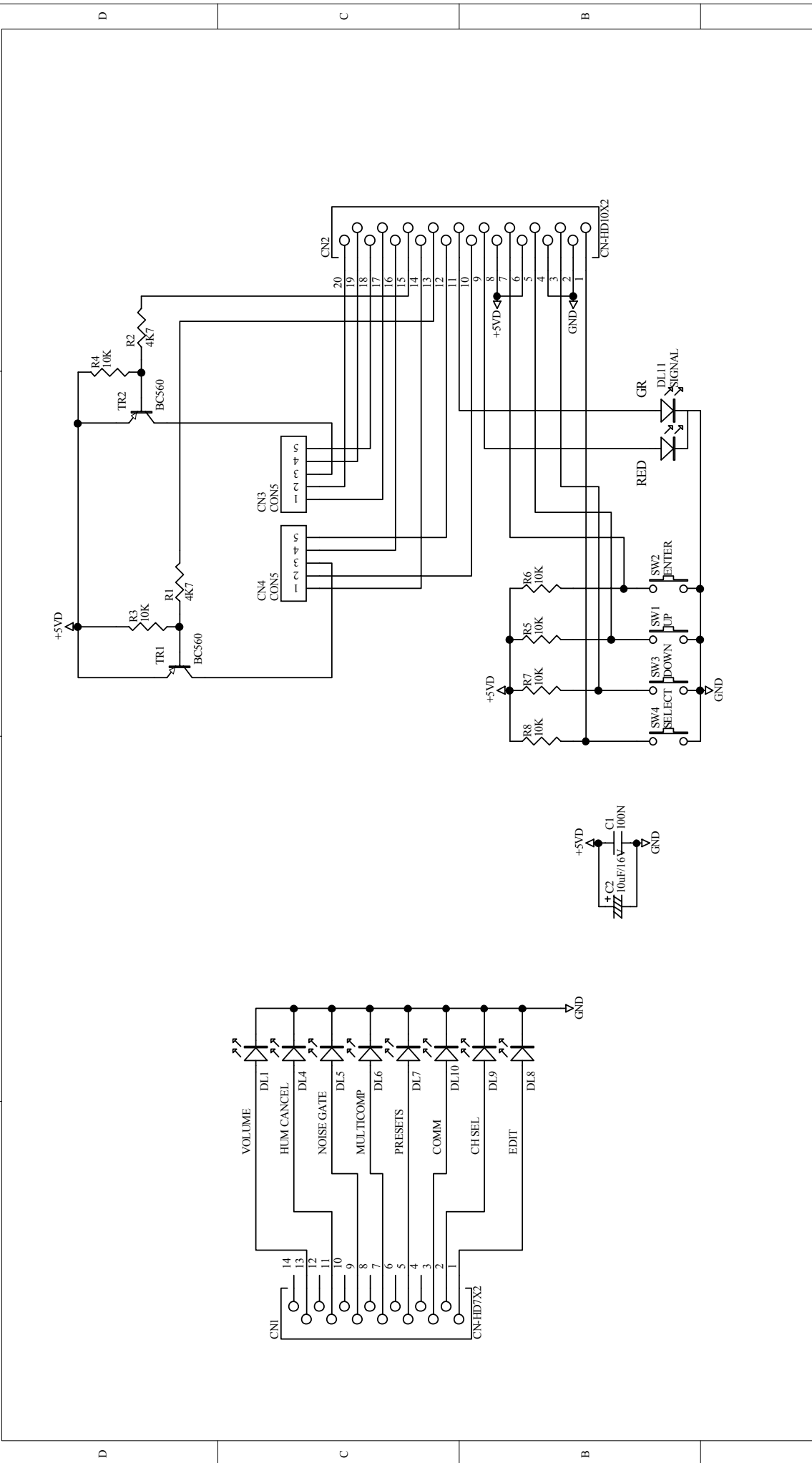
C

B

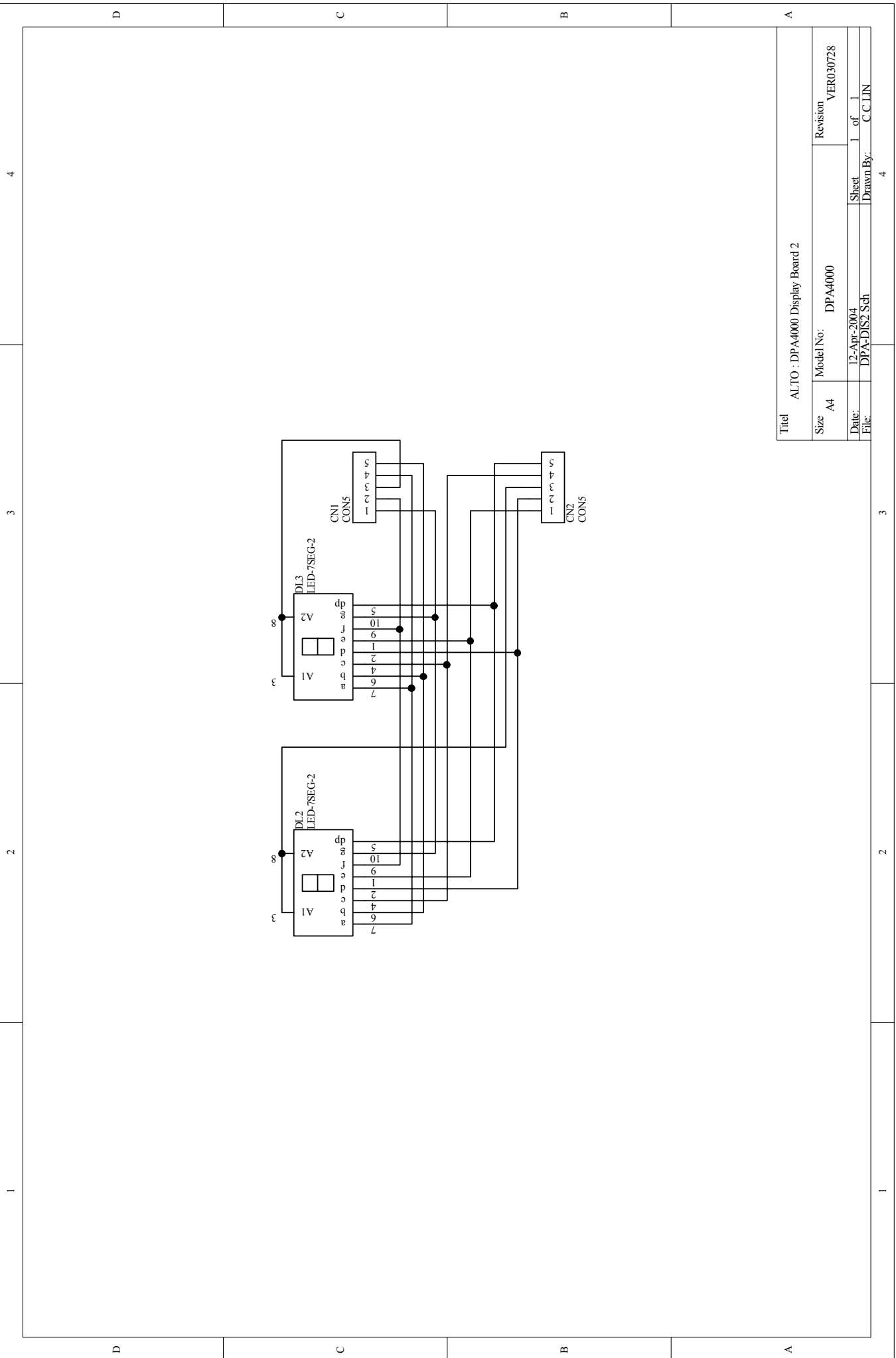
A

Title		ALTO : MISTRAL4000 INPUT	
Size	A4	Model No:	MISTRAL4000
		Revision	VER031206
Date:	9-Apr-2004	Sheet:	1 of 1
File:	MIS40IN.Sch	Drawn By:	C.C.LIN





Title		ALTO : DPA4000 Display Board 1	
Size	A4	Model No.	DPA4000
Date:	12-Apr-2004	Revision	VER030728
File:	DPA-DIS Sch	Sheet	1 of 1
		Drawn By:	C.C.LIN



Title		ALTO : DPA4000 Display Board 2	
Size	A4	Model No:	DPA4000
Date:	12-Apr-2004	Revision	VER030728
File:	DPA-DIS2 Sch	Sheet	1 of 1
		Drawn By:	C.C.LIN

4

3

2

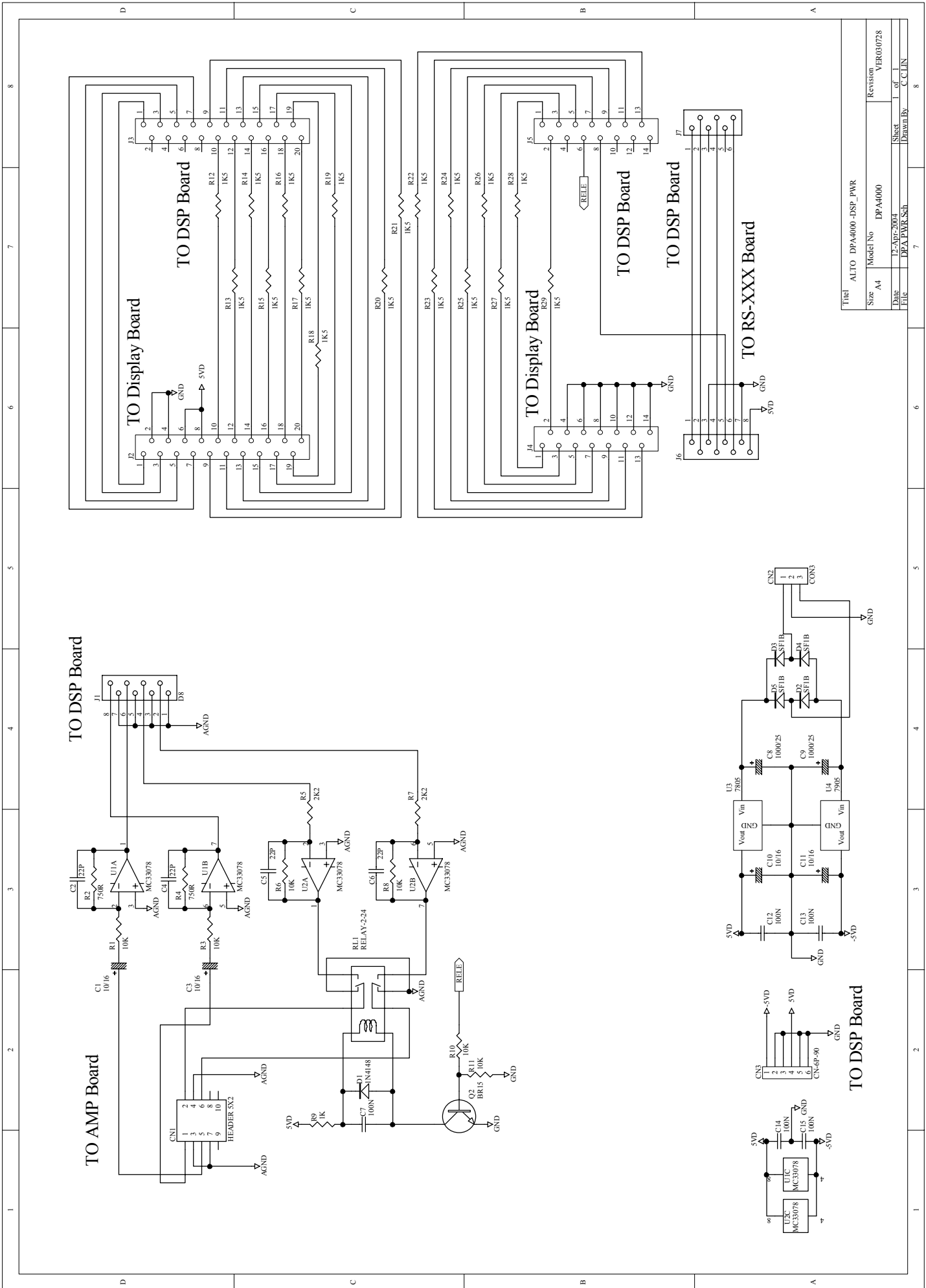
1

4

3

2

1



Title	ALTO DPA4000-DSP_PWR		
Size	A4	Model No	DPA4000
Date	12-Apr-2004	Revision	VER030728
File	DPA_PWR_Sch	Sheet	of 1
		Drawn By	C.C.JIN

TO DSP Board

TO AMP Board

TO Display Board

TO RS-XXX Board

TO DSP Board

TO DSP Board

TO DSP Board

TO DSP Board

TO DSP Board

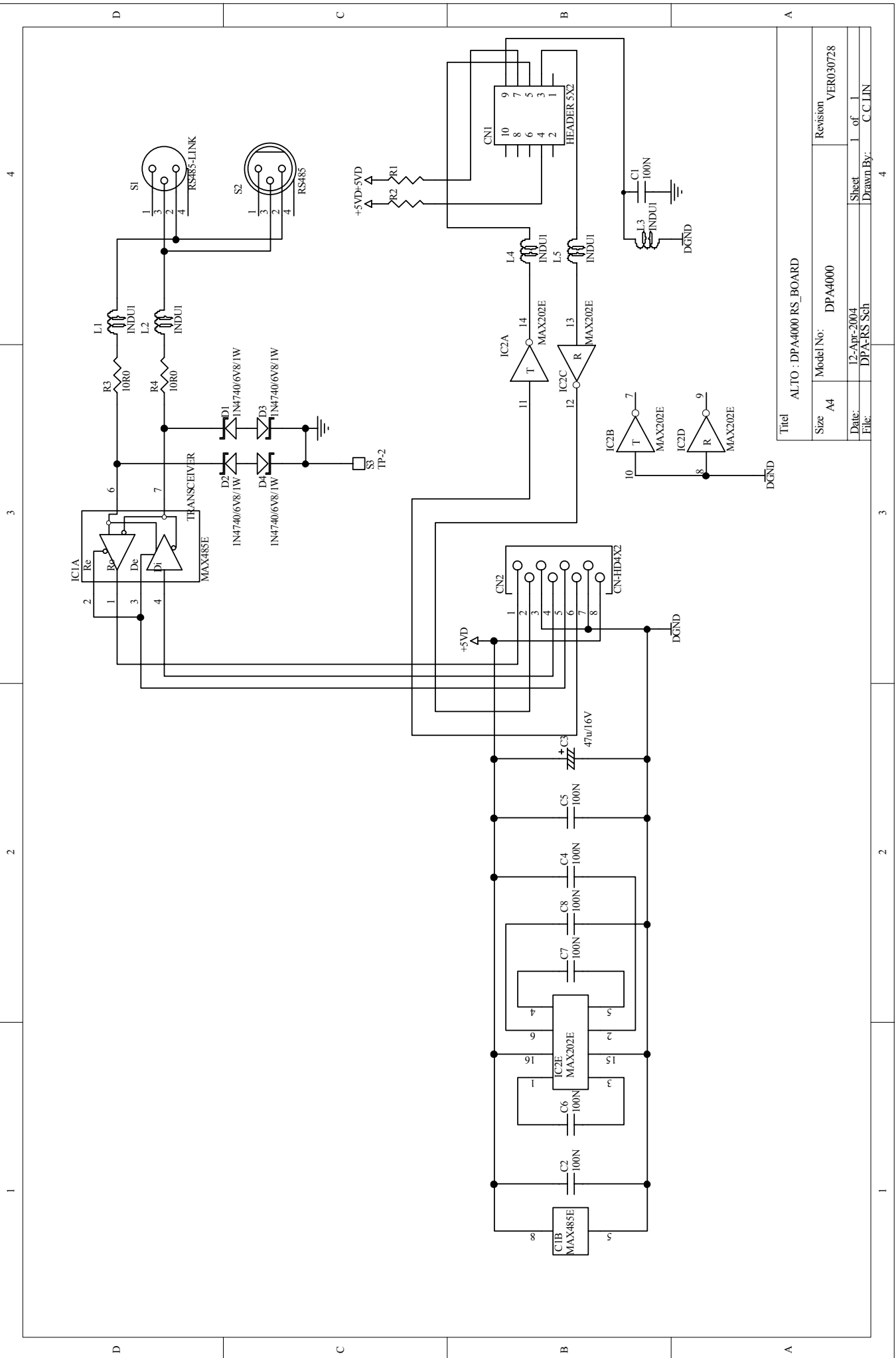
TO DSP Board

TO DSP Board

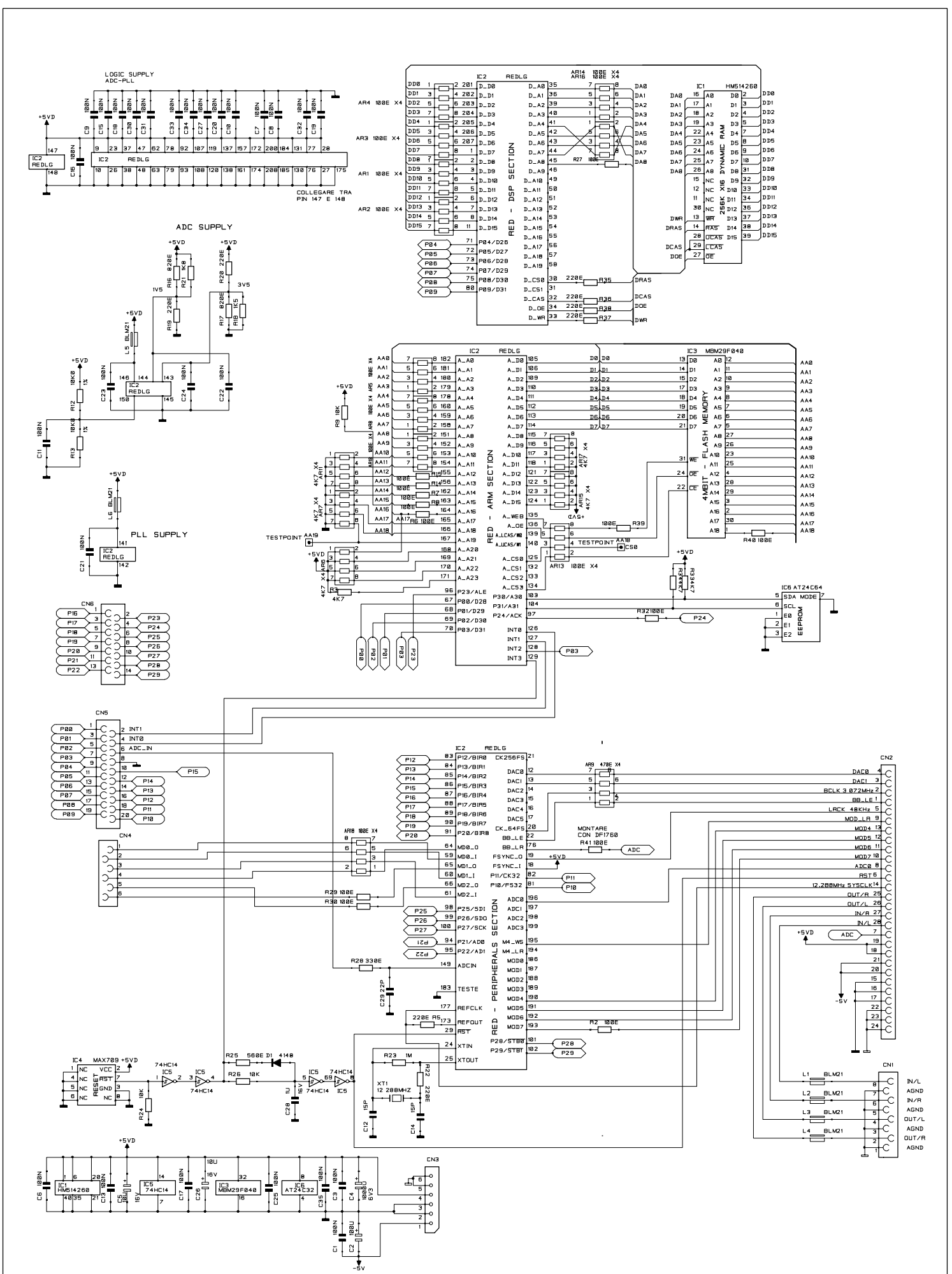
TO DSP Board

TO DSP Board

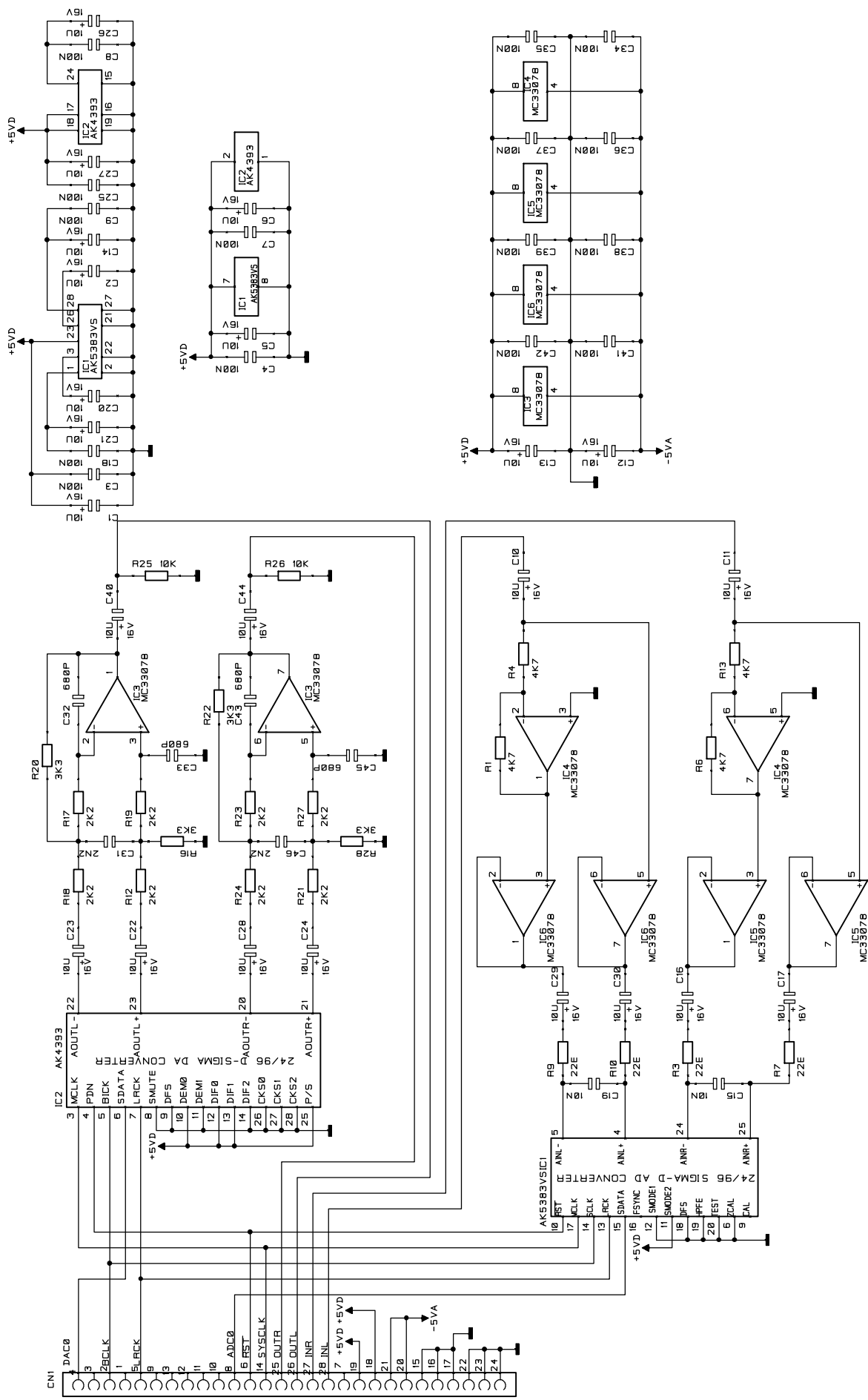
TO DSP Board



Title: ALTO : DPA4000 RS_BOARD	
Size: A4	Model No.: DPA4000
Date: 12-Apr-2004	Revision: VER030728
File: DPA-RS Sch	Sheet: 1 of 1
	Drawn By: C.C.LIN



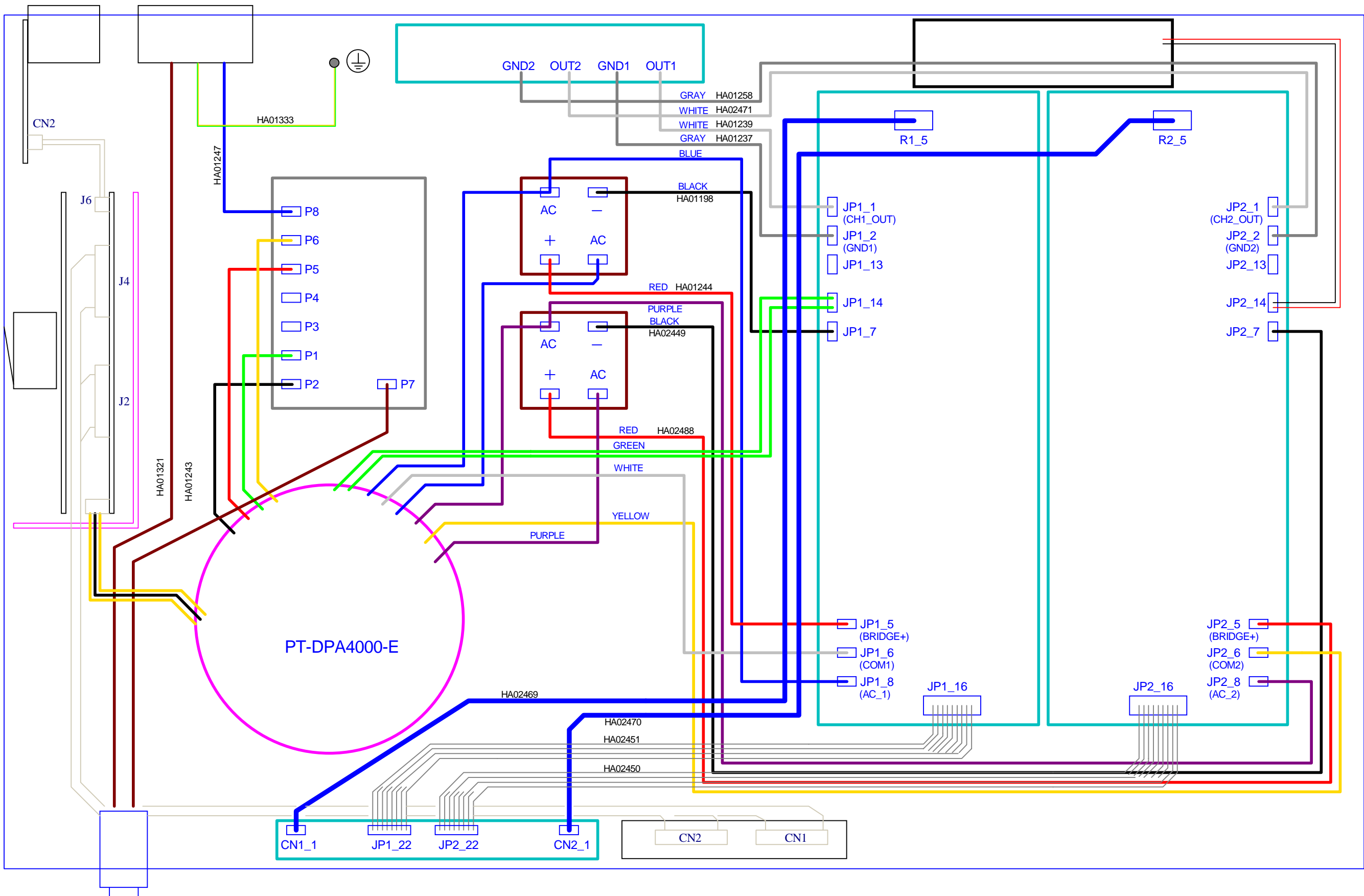
DRW G RICCI	DWG# 768263	PCB#	313089	Music Media Soft s.r.l.
CKD L. GIBIN	DATE 17/09/01	SCHEMATIC DIAGRAM		ALL RIGHTS ARE RESERVED. NO COPIES OR REPRODUCE THIS DOCUMENT WITHOUT WRITTEN CONSENT BY M.S.
APP. F. GAZZILLI	REV. B	PEGASUS/PROMASTER DX BOARD		



DRW	L.GIBIN	DWG#	768264	PCBR#	313111	Music Media Soft s.r.l.
CKD	L.GIBIN	DATE	03/12/01	SCHEMATIC DIAGRAM		
APP.	B	REV.	B	AD-DA BOARD HIGH CON AKM CONV.		

ALL RIGHTS ARE RESERVED. NO COPIES OR REPRODUCE THIS DOCUMENT WITHOUT WRITTEN CONSENT BY M.M.

DPA2500/4000 Chassis Wiring Drawing (100V-130V)



PT-DPA4000-E

GND2 OUT2 GND1 OUT1

GRAY HA01258
 WHITE HA02471
 WHITE HA01239
 GRAY HA01237
 BLUE

AC -
 + AC

BLACK HA01198

AC -
 + AC

PURPLE BLACK HA02449

RED HA02488
 GREEN
 WHITE

YELLOW
 PURPLE

JP1_1 (CH1_OUT)
 JP1_2 (GND1)
 JP1_13
 JP1_14
 JP1_7

JP2_1 (CH2_OUT)
 JP2_2 (GND2)
 JP2_13
 JP2_14
 JP2_7

JP1_5 (BRIDGE+)
 JP1_6 (COM1)
 JP1_8 (AC_1)

JP2_5 (BRIDGE+)
 JP2_6 (COM2)
 JP2_8 (AC_2)

CN1_1 JP1_22 JP2_22 CN2_1

CN2 CN1

JP1_16

JP2_16

HA02469
 HA02470
 HA02451
 HA02450

R1_5

R2_5

CN2

J6

J4

J2

P8

P6

P5

P4

P3

P1

P2

P7

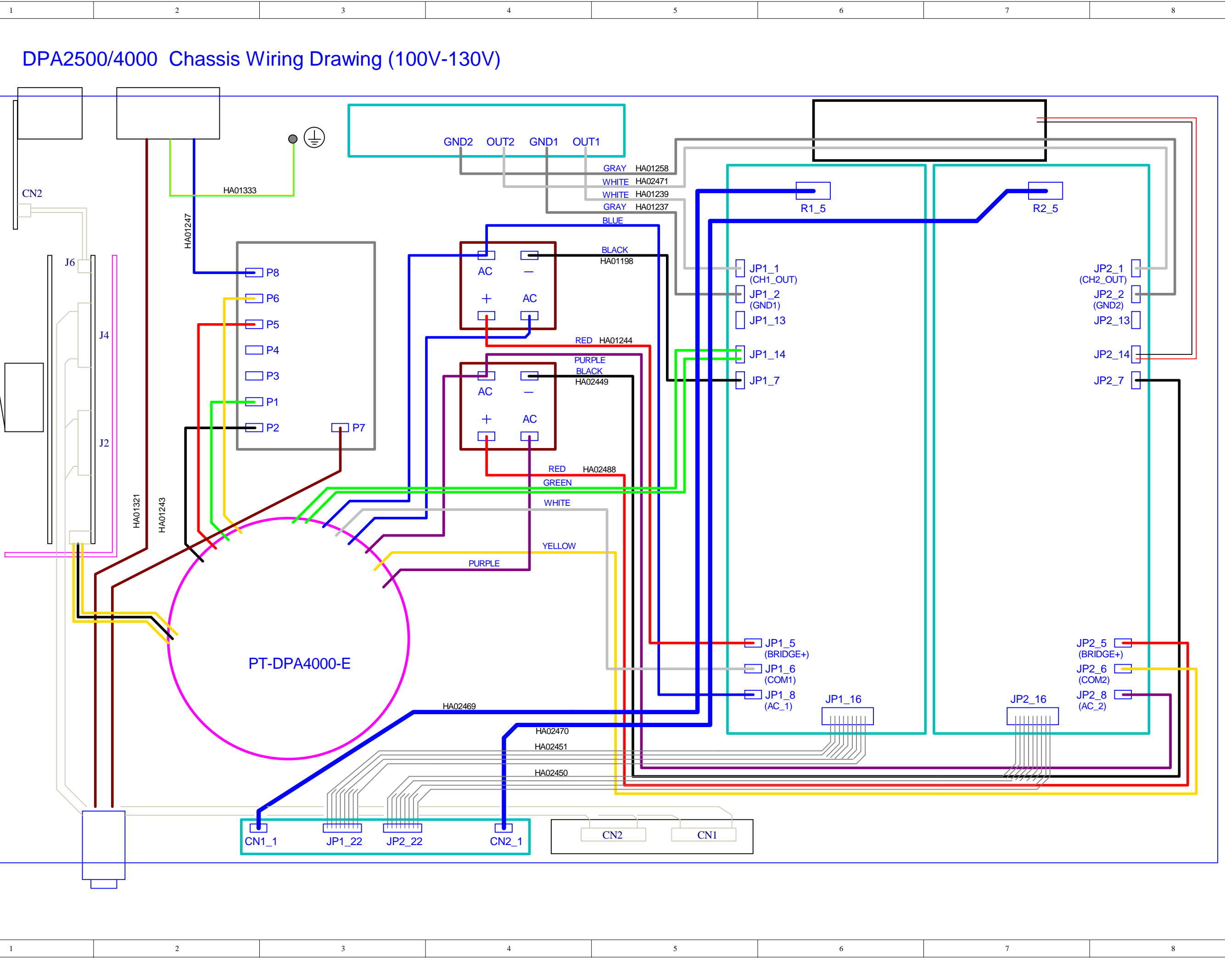
HA01321
 HA01243

HA01333

HA01247

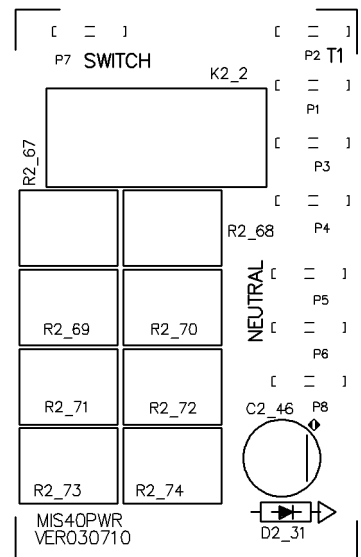
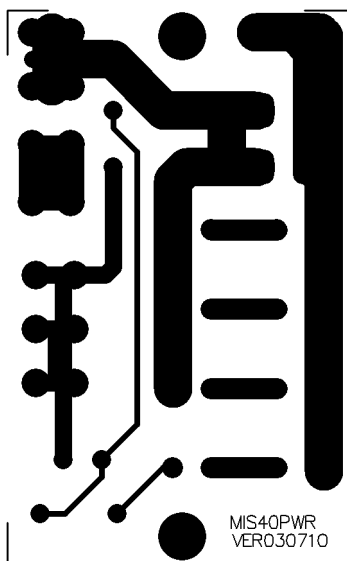
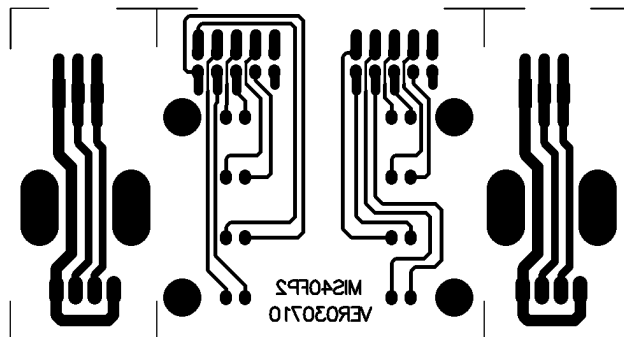
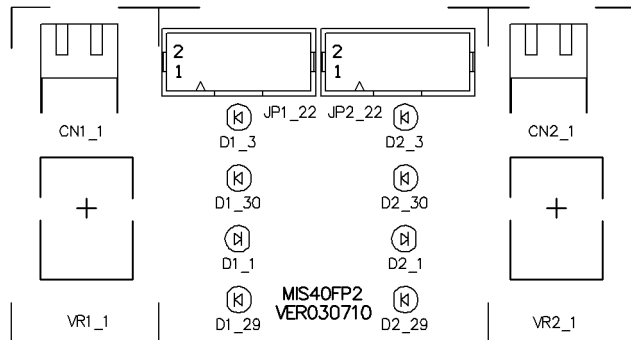
CN2

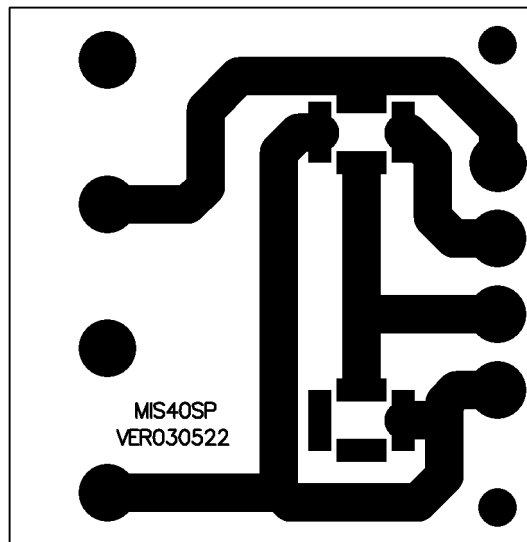
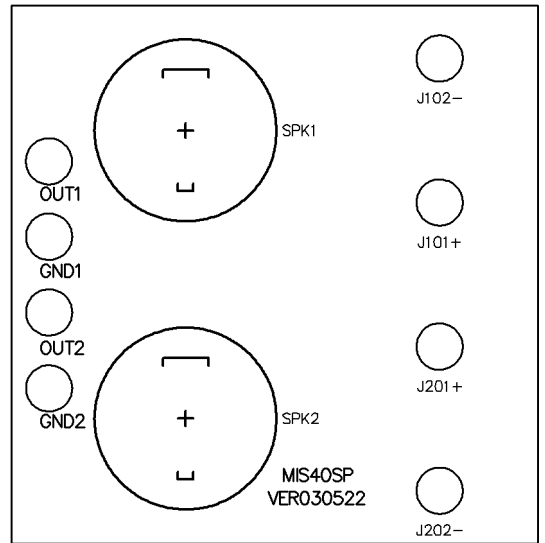
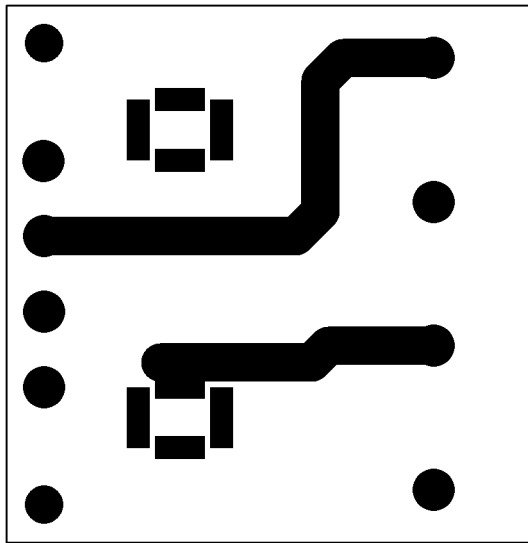
CN1

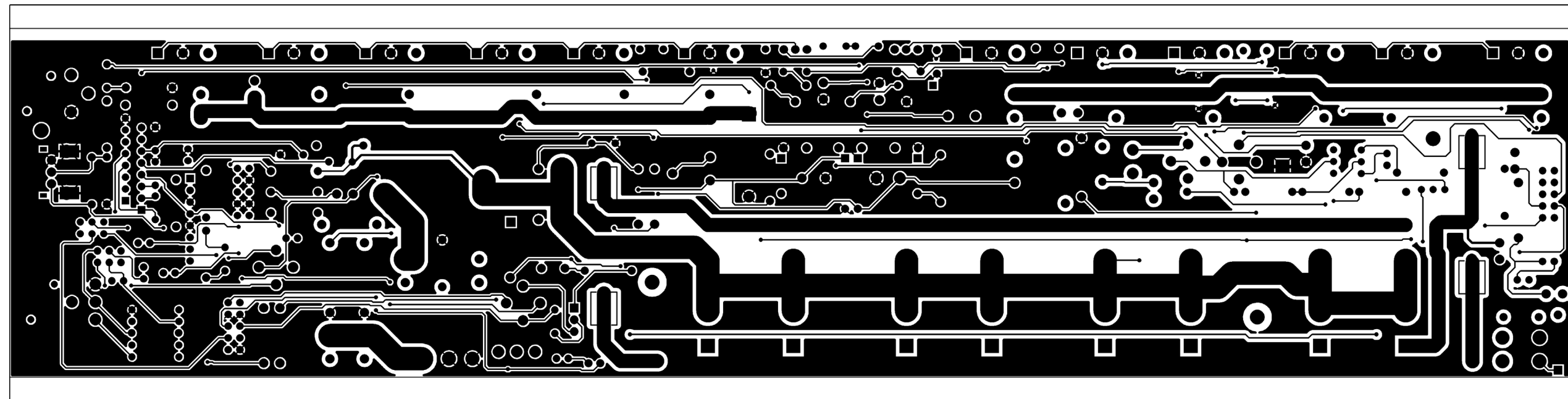
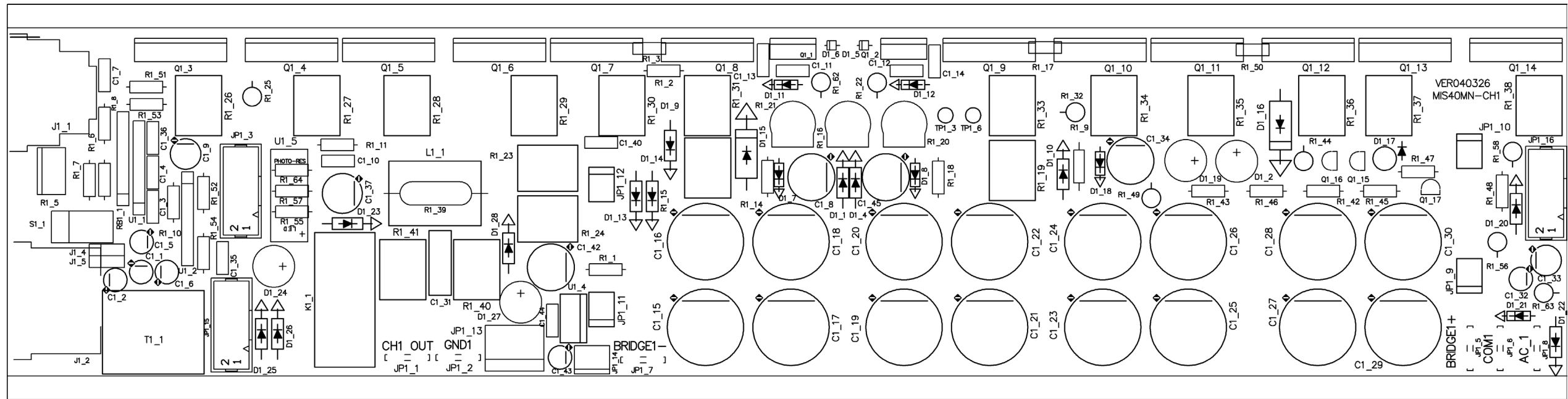


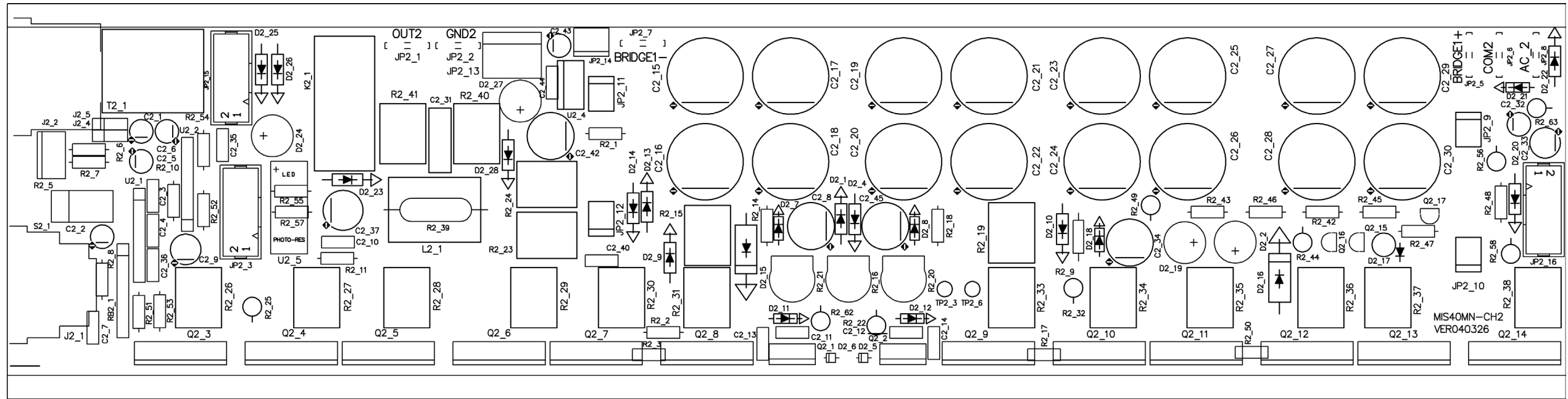
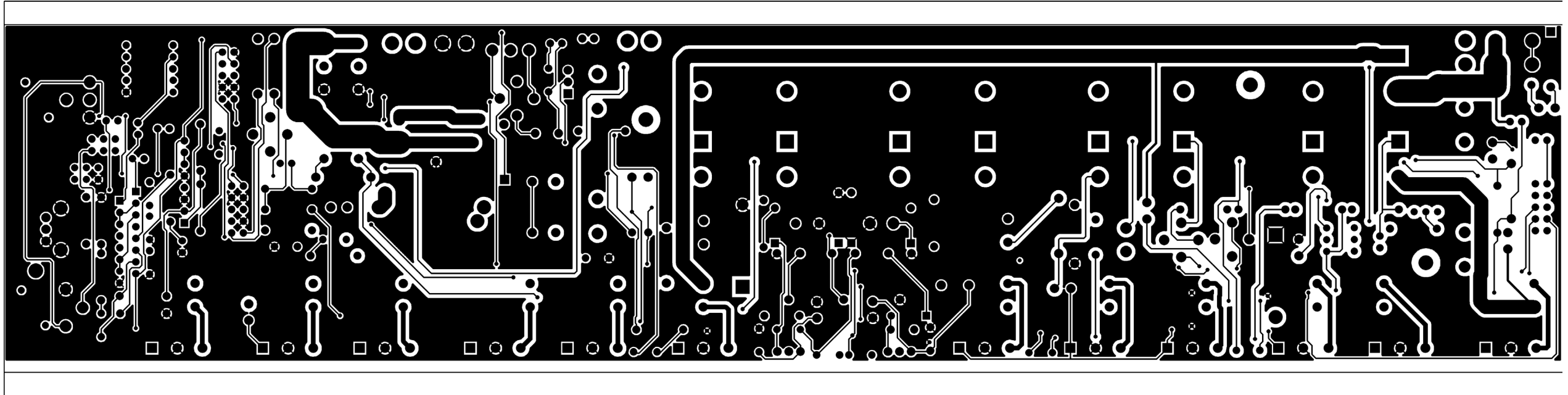
5. PCB Layout

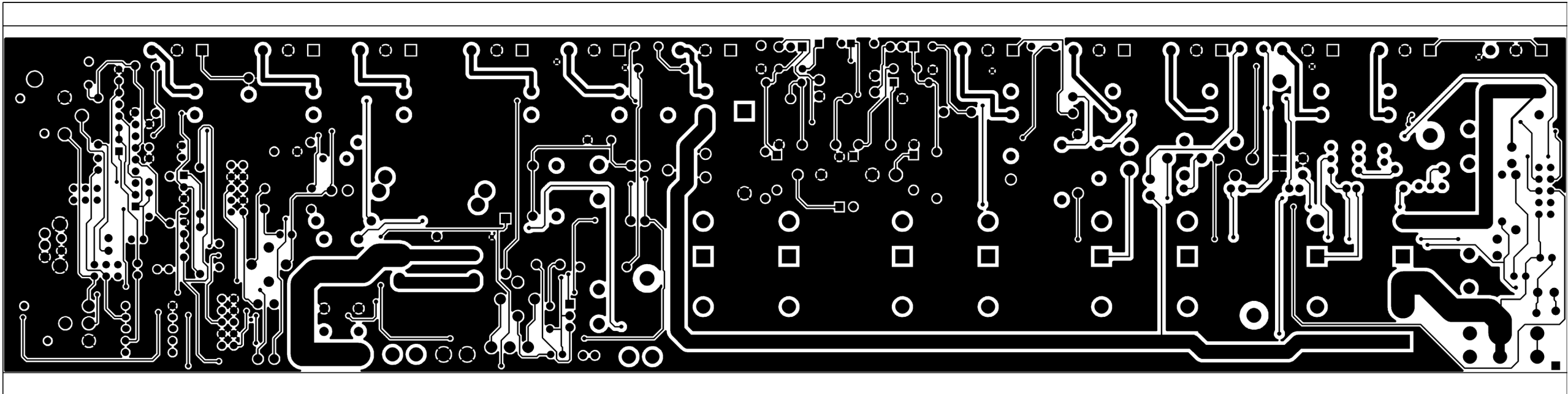
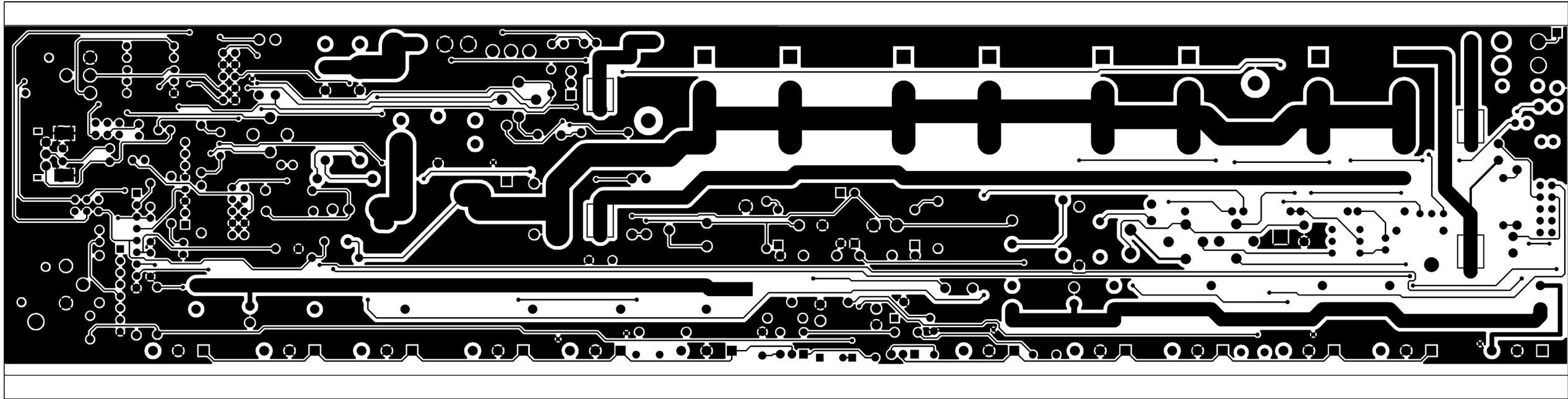
MIS40 FP2

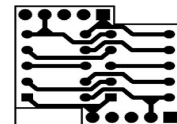
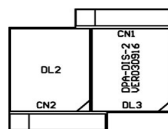
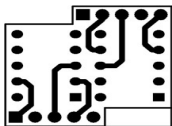
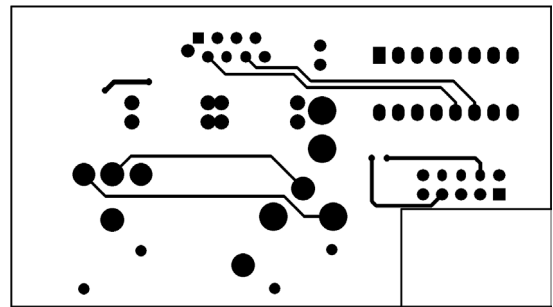
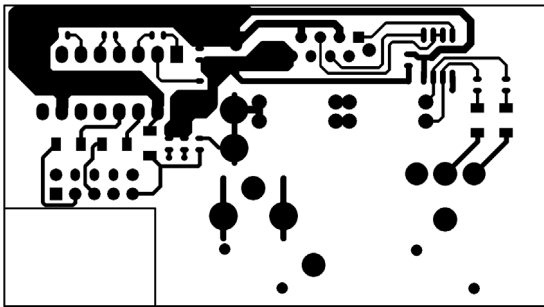
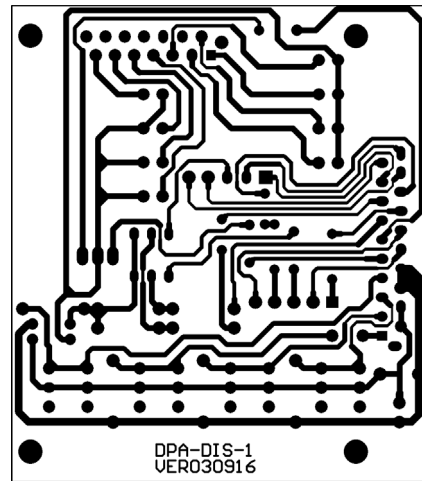
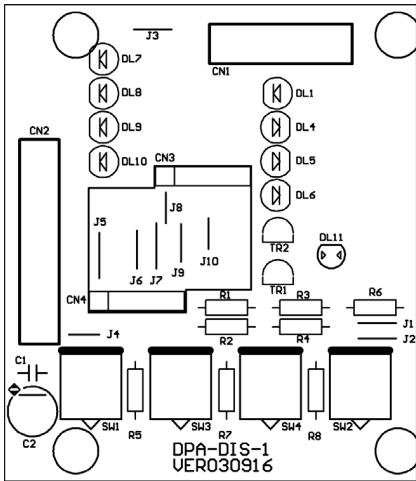


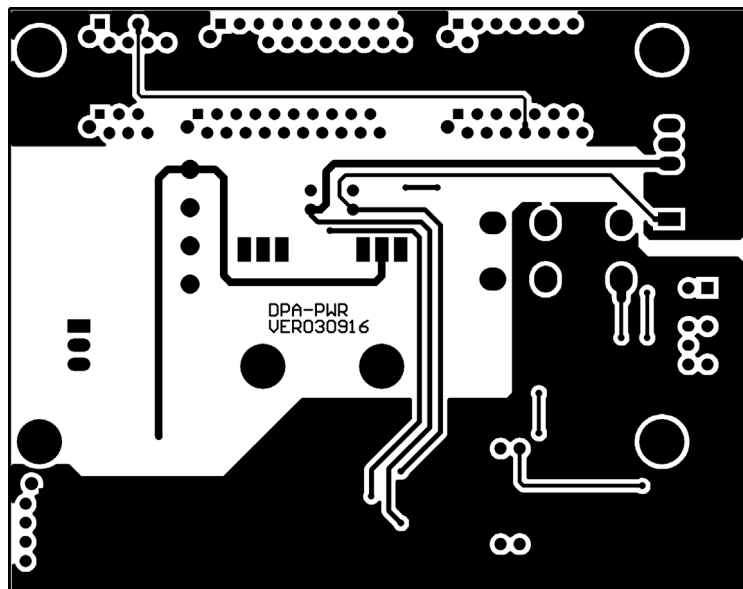
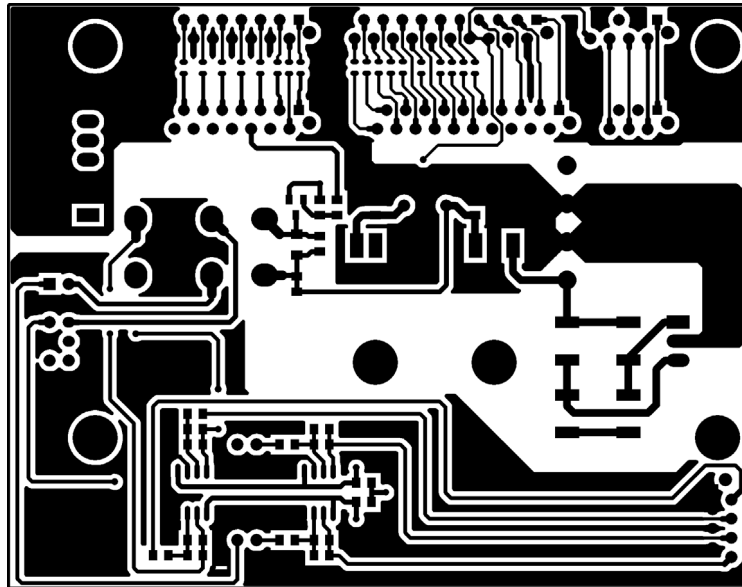
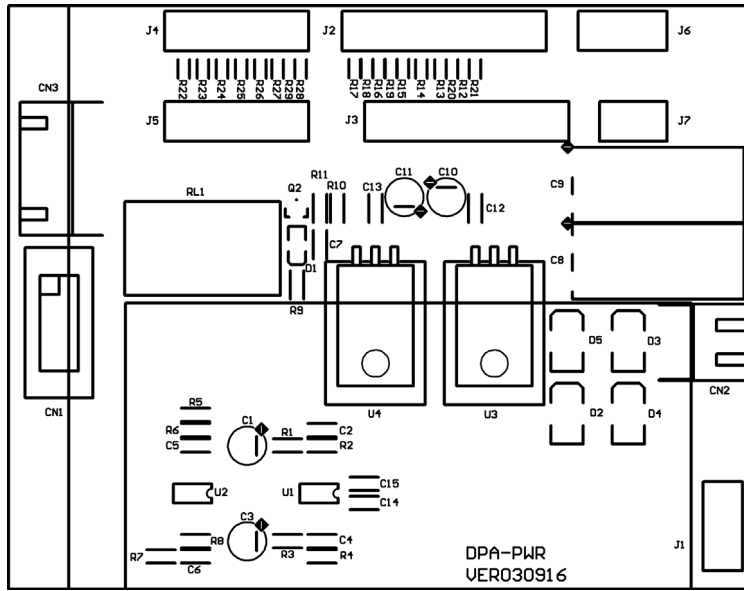












6. Test Procedure & Test Result

DPA2500/4000 TEST PROCEDURE

DSP Test

Instruments

1. DMM
2. Audio Analyze unit (VP-7724)
3. Oscillograph
4. PC with RS232 port

Test Procedure

Step1: Visual check

Visually check if the cosmetic of the amplifier and assembly are OK.

Step 2: Power supply test

- Rated power
- Make sure all the voltage values are correct, then turn off power.

Step 3: DSP Test

3.1 press the "ENTER" and "SEL" at the same time. The unit will enter the test modal and check as following:

- a. All LEDs will light up in sequence.
- b. The display will show "8.8" .

3.2 Press the "ENTER" and "SEL" at the same time.

- a. Press "UP", the display will show "1".
- b. Press "DOWN", the display will show "2".
- c. Press "ENTER", the display will show "3".
- d. Press "SEL", the display will show "4".

Step4: Test EEPROM

4.1 Press "ENTER" and "SEL" again, the LED (HUM CANCEL) should be light up. After wait about 50 seconds, check as following:

- a. If the display show "01" , the test is ok
- b. If the display show "E1", the test fails.

Step5: Test RAM

5.1 Press "ENTER" and "SEL" at the same time again, the LED(NOISE GATE) will light up, wait a few seconds, check as following:

- a. If the display show "02", the test is ok.
- b. If the display show "E2", the test fails .

Step 6. RS232 Port Test

6.1 Turn off the unit, then connect the computer and the amplifier via RS232 port, then turn on the unit.

1. If the panel shows "56", the Connection is ok.
2. Done.

PCB Test

Instruments

1. DMM
2. Audio Analyzer unit
3. Oscillograph
4. $8\Omega(400W)$ load

1) Test procedures and specification

1. Set LIMITER and BRIDGE switches in the position OFF. Turn VR of CH1 and CH2 to maximum, then turn on the power switch and the blue power LED lights up, and OPERATING/PROTECTION LED shows red, then it turns green after 2-5 seconds or so.
 - a. Without signal input, adjust R1-16(CH1) and R2-16(CH2) so that the voltage of R1-17/2-17 is $132\pm 2\text{mV}$. Connect a $4\ \Omega$ load at output. Input a 5KHz $-3/-0.5\text{dB}$ signal into CH1 or CH2 (output 2V). Verify the curve on oscilloscope and there should be no crossover distortion, then the oscillograph shows curve distortion should be 2-3%. Adjust the R1-20, R1-21 (CH1); R2-20, R2-21 (CH2) make sure that the crossover distortion reaches its peak. (NOTE: maintain the power is 230V).
 - b. Set the output is short circuit, then adjust the LED for the LIMITER on the panel will be illuminated and the power consumption of the short circuit protection should be less than 485W.
 - c. S/N: more than 88dB (A weighted is more than 100dB).
 - d. Compressor function test: Turn on LIMITER switch. Input a 1KHz / +10dB signal, the LIMITER LED is lit yellow and there is no clipped signal.
 - e. Adjust the VR on front panel so that the output is $2\text{V}(4\ \Omega)$. The measured frequency response is more than 20Hz to 20 kHz $\pm 1\text{dB}$ (CH1/CH2)
 - f. The output is more than 59V.
 - i. Release the BRIDGE switch. Input a 1KHz signal into CH1(the level control of CH2 is turn to minimum). Connect a $8\ \Omega$ load with output terminal. Measure the bridged output voltage is

more than about 110V, the distortion is less than 1%. (This measurement shall be done in a minute).

j. Turn off the input signal, the power consumption shall be less than 80W.

k. Done.

5. Test result

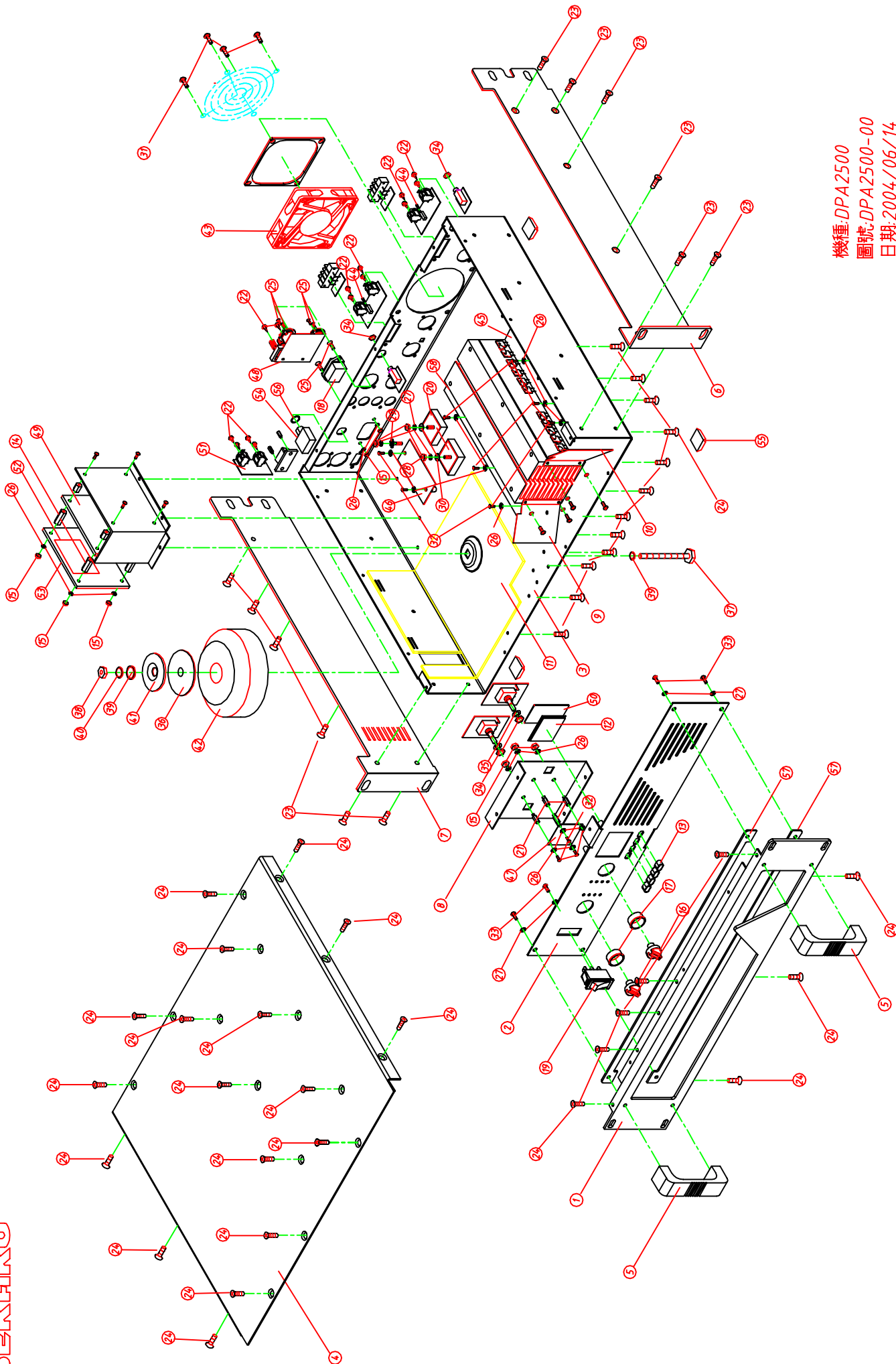
SEKAKU ELECTRON INDUSTRY CO., LTD.

Model No DPA2500 (Amplifier)		USER OF VP-7724A			
Test Item	Test Conditions	Spec	Test Result	Remark	
1	Power Source	AC: 115/120/230/240V	AC: V		
2	Motionless State Current	Load 4	TP1_3(CH1)/T P2_3(CH2):13 8±2mV	% R1-16(CH1)/R2- 16(CH2)	
3	Power Consumption	Rated Output. Input at 1KHz,6dBV	8A	A	VR MAX(CLIP ON)
			1800W	W	
4	Rated Output	Load 4 (CHA,B)	46V+46V	V	INPUT 1KHz (CLIP ON)
		Load 8	V	V	
5	Signal/Noise	Input 1KHz 6dB Load 4	90dB 102dB (A)	dB	VR MAX (CLIP ON)
6	Hum or Noise	VR Max	2mV	mV	VR MAX
7	Distortion	Input 1KHz 6dB	0.2% (10W)	%	
			0.15% (100W)		
			0.3% (400W)	%	
8	INPUT SENSITIVITY	BAL	-3.5±1dB	dB	CHA,CHB
		STEREO	0/+5 ±1dB	dB	CHA,CHB
9	BRIDGED	SW AT BRIDGED	80V (8)	V	
10	OUTPUT SHORT TEST	IN 1khz/0dB	<500W		CHA CHB
11	PUNCTURE VOLTAGE	5mA 5Sec	1800V		
12	FREQUENCY RESPONSE	Input 6dB , 1KHz Load 4 (BAL OR STEREO)	< 30Hz-> 20KHz	Hz	OUTPUT 6.8V(10W)

SEKAKU ELECTRON INDUSTRY CO., LTD.

Test Result

Model No		DPA4000		(Amplifier)		USER OF ATS-1	
Tester:				Test Date: 2004 , 11 , 06			
Test Item		Test Conditions		Spec	Test Result	Remark	
1	Power Source	230V		AC: 115/120/230/240V	AC:229~243 V	Load 4	
2	Motionless State Current	Load 4	CH1	TP1-3	135mv	ADJGUST	
			CH2	TP2-3	135mv		
3	Power Consumption	Rated Output. Input at 1KHz, 3dBV		A	11 A	VR MAX(CLIP ON)	
				W	2563 W		
4	Rated Output	Load 4	CH1	V	59V	INPUT 1KHz (CLIP ON)	
			CH2	V	59V		
		Load 8		V	66V		
5	Signal/Noise	Input 1KHz 3dB Load 4	CH1	dB	100dB	VR MAX (CLIP ON)	
			CH2	dB	100dB		
6	Hum or Noise	VR Max	CH1	mV	9mV	VR MAX	
			CH2	mv	9 mV		
7	Distortion	Input 1KHz 3 dB	CH1	%	0.15%		
			CH2	%	0.15%		
8	INPUT SENSITIVITY	BAL		dB	3.7dB	CHA,CHB	
		STEREO	CH1	dB	3.75dB	CHA,CHB	
			CH2	dB	3.75 dB		
9	BRIDGED	SW AT BRIDGED		V(8)	112V		
10	PUNCTURE VOLTAGE	5mA 5Sec		1800V			
11	FREQUENCY RESPONSE	Input 6dB , 1KHz Load 4 (BAL OR STEREO)		Hz	20Hz~20khz	-2DB OUTPUT V(10W-1dB)	



DPA2500

No.	Part No.	descriptions	Specification	Qty
1	MA04096	panel	MISTRAL4000	1
2	MA04165	panel	MISTRAL2500 ALTO	1
3	MB03071	chassis	MISTRAL2500	1
4	MC00559	Top	DPA1500	1
5	MI01744	Handle	MISTRAL4000 20*25.5*80	2
6	MI01900	Fixed DPA1500-05	DPA1500 1.0t* 112*81*15mm	1
7	MI01746	Rear board	MISTRAL4000 14*81*89	1
8	MJ01227	cushion	MISTRAL2500	2
9	MI02025	Fixed panel	MISTRAL900(left)	1
10	MI02027	Fixed panel	MISTRAL900(right)	1
11	MI02029	Barrier board	1.0t*176.5*15*16*83mm	1
12	MI02030	Barrier board	1.0t*144.4*15*9*83mm	1
13	MJ00031	Barrier board	1.0t*83*40mm	1
14	NI02650	Plastic knob	18*18mm	2
15	NI02651	Knob glove	10* 22.5 A600.2	2
16	HC00005	AC jack	AC-008	1
17	HI00031	Power switch	R415KKETOF	1
18	SA00011	Bridge rectifier	25A/200v	2
19	MG00247	cropper	M3*10*0.5PH	4
20	MG00061	screw	M3*10	10
21	MG00295	screw	M4*6	4
22	MG00042	screw	M3*6	34
23	MG00042	screw	M3*10	6
24	MF00037	Spring washer	3* 5*1t	12
25	ME00015	Color nut	3mm	6
26	MF00038	washer	4* 7*1t	7
27	ME00016	Color nut	4mm	3
28	MF00018	Color washer	4* 10*1t	3
29	MF00048	washer	4* 8*0.5t	1
30	HI00140	switch	A0701HM-6A	1
31	NI00389	Plastic washer	12* 16*0.5	1
32	MG00041	screw	M3*6	12
33	MG00075	screw	M4*16	4
34	ME00006	Nut	9	2
35	MF00004	Color washer	9* 14*0.5t	1
36	NI00437	rubber	20* 120*2tB	1
37	MG00215	screw	M8*80	1
38	ME00026	Nut	M8	1
39	MF00026	Color washer	8* 18*1.5t	2
40	MF0041	washer	8* 13.5*2t	1
41	MH00766	Iron	11* 90*2	1
42	TD00182	transformer	PT-MIS2500-E	1
43	HE00010	fan	DC24V/0.16A 80*80*25mm200mm	1
44	MD00444	Fan cover	80*80mm	1
45	MG00065	screw	M5*10	4
46	NI00312	Switch knob	5*5*9	2
47	HA00871	wire	LT-312+1.5*3C	1
48	NI01867	cushion	20.5*14*7.6mm	4
49	NC00182	Insulation	1.6*130*16	2
50	MI01956	Fixed frame	130*5*6*1.5	2
51	MI02014	Heat sink	9*83*40*260	1

DPA4000

No.	Part No.	descriptions	Specification	Qty
1	MA04096	panel	MISTRAL4000	1
2	MA04165	panel	MISTRAL4000 ALTO	1
3	MB03071	chassis	MISTRAL4000	1
4	MC00559	Top	DPA1500	1
5	MI01744	Handle	MISTRAL4000 20*25.5*80	2
6	MI01900	Fixed DPA1500-05	DPA1500 1.0t* 112*81*15mm	1
7	MI01746	Rear board	MISTRAL4000 14*81*89	1
8	MJ01227	cushion	MISTRAL2500	2
9	MI02025	Fixed panel	MISTRAL900(left)	1
10	MI02027	Fixed panel	MISTRAL900(right)	1
11	MI02029	Barrier board	1.0t*176.5*15*16*83mm	1
12	MI02030	Barrier board	1.0t*144.4*15*9*83mm	1
13	MJ00031	Barrier board	1.0t*83*40mm	1
14	NI02650	Plastic knob	18*18mm	2
15	NI02651	Knob glove	10* 22.5 A600.2	2
16	HC00005	AC jack	AC-008	1
17	HI00031	Power switch	R415KKETOF	1
18	SA00011	Bridge rectifier	25A/240v	2
19	MG00247	cropper	M3*10*0.5PH	4
20	MG00061	screw	M3*10	10
21	MG00295	screw	M4*6	4
22	MG00042	screw	M3*6	34
23	MG00042	screw	M3*10	6
24	MF00037	Spring washer	3* 5*1t	12
25	ME00015	Color nut	3mm	6
26	MF00038	washer	4* 7*1t	7
27	ME00016	Color nut	4mm	3
28	MF00018	Color washer	4* 10*1t	3
29	MF00048	washer	4* 8*0.5t	1
30	HI00140	switch	A0701HM-6A	1
31	NI00389	Plastic washer	12* 16*0.5	1
32	MG00041	screw	M3*6	12
33	MG00075	screw	M4*16	4
34	ME00006	Nut	9	2
35	MF00004	Color washer	9* 14*0.5t	1
36	NI00437	rubber	20* 120*2tB	1
37	MG00215	screw	M8*80	1
38	ME00026	Nut	M8	1
39	MF00026	Color washer	8* 18*1.5t	2
40	MF0041	washer	8* 13.5*2t	1
41	MH00766	Iron	11* 90*2	1
42	TD00182	transformer	PT-MIS4000-E	1
43	HE00010	fan	DC24V/0.16A 80*80*25mm200mm	1
44	MD00444	Fan cover	80*80mm	1
45	MG00065	screw	M5*10	4
46	NI00312	Switch knob	5*5*9	2
47	HA00871	wire	LT-312+1.5*3C	1
48	NI01867	cushion	20.5*14*7.6mm	4
49	NC00182	Insulation	1.6*130*16	2
50	MI01956	Fixed frame	130*5*6*1.5	2
51	MI02014	Heat sink	9*83*40*260	1

8. BOM

DPA2500 part list

No.	Part No.	Descriptions	Specification	Remark
1	MA04096	panel	MISTRAL4000	
2	MA04097	panel	MISTRAL4000	
3	MA04098	panel	MISTRAL4000 3.1*88.8*25.5*483	
4	MI01309	panel	3.1*88.8*25.5*483	
5	MA04398	panel	DPA2500 ALTO_V1.0	
6	MA04395	panel	DPA4000	
7	MA04396	panel	DPA4000 1.5t*22.4*81.4*422	
8	MJ00088	single light board	1.5*2135*1220 30.67kg	
9	MB02959	rear board	DPA4000_V1.0	
10	MB02960	rear board	DPA4000_V1.2	
11	MB02961	rear board	DPA4000 1.5t*85.5*370*430_V1.2	
12	MJ00088	single light board	1.5*2135*1220 30.67kg	
13	ME00051	iron pillar	M3*12	
14	MI01516	barrier	MISTRAL4000 57*177*195	
15	MJ00058	single light board	1*2135*1220 20.45kg	
16	ME00001	screw pillar	M4*10*0.7PH	
17	ME00002	screw pillar	M4*20*0.7PH	
18	MC00517	top cover	MISTRAL4000_V1.0	
19	MC00622	top cover	MISTRAL2500_V1.0	
20	MC00621	top cover	MISTRAL2500_V1.0	
21	MJ00088	single light board	1.5*2135*1220 30.67kg	
22	MI01744	handle	MISTRAL4000 20*25.5*80	
23	MI01745	handle	MISTRAL4000 20*25.5*80	
24	MI01750	fixed bracket	MISTRAL4000 left L type	
25	MI01751	fixed bracket	MISTRAL4000 left L type 26.5*88.8*400mm	
26	MJ01154	single light board	2.0t*1850*950mm 27.6kg	
27	MI02452	fixed bracket	DPA2500 right L type_V1.0	
28	MI02781	fixed bracket	MISTRAL4000 right	
29	MI01753	fixed bracket	MISTRAL4000 right Type 26.5*88.8*400mm	
30	MJ01154	single light board	2.0t*1850*950mm 27.6kg	
31	MI01746	front board	MISTRAL4000 14*81*89	
32	MJ00061	Zn-plated board	1*2135*1220 20.45kg	
33	MI01759	barrier	MISTRAL4000 0.8t*53.5*78_V1.1	
34	MJ00067	single light board	1.0t*2440*1220 18.69kg	
35	MI01756	barrier	MISTRAL4000 0.8t*53.5*78_V1.1	
36	MJ00067	single light board	1.0t*2440*1220 18.69kg	
37	NI02145	acrylic panel	DPA series ALTO_V1.1	
38	NI02146	acrylic panel	DPA4000 (3t*40*47mm)	
39	NI01863	key	5.5*W10*7.5	
40	ME00015	nut	3m/m	

No.	Part No.	Descriptions	Specification	Remark
41	NI02650	knob	18*18mm	
42	NI02651	knob fix sheath	10* 22.5	
43	HC00005	AC socket	AC-008	
44	HI00031	power switch	R415KKETOF	
45	SA00013	bridge rectifier	35A/200V	
46	HA01243	wire	300mm UL1015 14AWG brown	
47	HA01333	single terminal wiring CF:W76	150mm UL1015 18AWG green/yellow	
48	HA01247	single terminal wiring	180mm UL1015 14AWG blue	
49	HA02469	wire	3P-3P 480mm 28AWG blue	
50	HA02470	wire	3P-3P 600mm 28AWG blue	
51	HA02452	wire	10Pfema*3 415mm UL2651 28AWG PH1.27mm	
52	HA02448	wire	530mm UL1015 14AWG red	
53	HA02449	wire	700mm UL1015 14AWG black	
54	HA01244	2 terminal wiring	380mm UL1015 14AWG red	
55	HA01198	wire	180mm UL1015 14AWG black	
56	MG00247	copper pillar	M3*10*0.5PHsingle length16	
57	MG00295	screw	M4*6	
58	MG00025	screw	M3*6	
59	MG00042	screw	M3*10	
60	MF00037	washer	3* 5*1t	
61	MF00038	washer	4* 7*1t	
62	ME00016	nut	4m/m	
63	MF00048	washer	4* 8*0.5t	
64	MF00018	washer	4* 10*1t	
65	MG00268	screw	M5*12	
66	MG00041	screw	M3*6	
67	MG00075	screw	M4*16	
68	ME00006	nut	9	
69	MF00004	washer	9* 14*0.5t	
70	NI00437	rubber coil	20* 120*2tB	
71	MG00556	screw	M8*82.5*1.25PH_V1.0	
72	ME00026	nut	8m/m	
73	MF00026	washer	8* 18*1.5t	
74	MF00041	washer	8* 13.5*2t	
75	MH00766	iron piece	11* 90*2_V1.1	
76	MH00768	iron piece	11* 90*2_V1.1	
77	MJ01154	single light board	2.0t*1850*950mm 27.6kg	
78	TD00207	loop transformer	PT-DPA2500_115/230V	
79	NI00252	sleeve	4*20mm	
80	NI00248	sleeve	4*1000mm	
81	HE00050	fan	DV12V/0.37A 80*80*25 360mm JST2P	
82	NI00312	power switch button	square 5*5*9 hole 2.8*2.8 black	
83	HA00871	power cord(Europe 3P)	LT-322+1.5*3C(H05VV-F) 6FT+LT-501	

No.	Part No.	Descriptions	Specification	Remark
84	NI00218	cable tie-black	ALT-102SB	
85	HJ00006	desiccant	30g	
86	NA00135	PE bag	0.05t*610*500mm	
87	NF01663	instruction	DPA2500/4000 ALTO_V1.0	
88	NH00149	paper	889*640mm	
89	NB01791	box	DPA2500 ALTO_V1.1	
90	NB01944	barrier	PSA-3000_V1.1	
91	NB02086	box	MACRO	
92	NE08281	label	DPA2500 220-240V_V1.0	
93	NI00015	membrane	0.04*1M	
94	NI00014	membrane	0.035*1M	
95	NF00061	assurance card	ALTO	
96	NE12198	label	DPA2500	
97	NH00012	bond paper	0.04*1M	
98	NI00014	membrane	0.035*1M	
99	NE11347	label	ALTO PI	
100	NH00334	cone paper	0.040*1m	
101	NC00059	fixed board	1*46*46(Sax-2000)	
102	NC00175	insulator	1.0t*51mm*100M	
103	HK04155	PC board	P-MIS40MN CH2(MISTRAL2500)	
104	HB01395	PCB	MIS60MNCH2_VER050203	
105	RA00211	fixed resistor 1/4W	820 M type	R2_14,R2_18
106	RA00239	fixed resistor 1/4W	8.2K M type	R2_53
107	RA00266	fixed resistor 1/4W	47K M type	R2_47
108	RA00174	fixed resistor 1/4W	47 M type	R2_52
109	RA00299	fixed resistor 1/4W	330K M type	R2_42,R2_48
110	RA00200	fixed resistor 1/4W	330 M type	R2_10,R2_55
111	RA00616	fixed resistor 1/4W	470 M type	R2_9
112	RA00217	fixed resistor 1/4W	1.5K M type	R2_45
113	RA00158	fixed resistor 1/4W	0.0 M type	R2_2
114	RA00246	fixed resistor 1/4W	15K M type	R2_11
115	RA00219	fixed resistor 1/4W	1.8K M type	R2_1
116	RA00282	fixed resistor 1/4W	100K M type	R2_43,R2_46,R2_51
117	RA00184	fixed resistor 1/4W	100 M type	R2_57
118	RA00242	fixed resistor 1/4W	10K M type	R2_54,R2_8
119	RA00908	fixed resistor 1/2W	68K P type	R2_58
120	RA00909	fixed resistor 1/2W	82K P type	R2_56
121	RB00010	resistor networks 1/8W	10K 8P C Type	RB2_1
122	RA00027	metal-oxide-film resistor 1W	5.6 P type	R2_22,R2_62
123	RA00007	metal-oxide-film resistor 1W	22 P type	R2_25,R2_32
124	RA00020	metal-oxide-film resistor 1W	6.8K P type	R2_44
125	RA00051	metal-oxide-film resistor 2W	5.6 P type	R2_39
126	RA00953	metal-oxide-film resistor 5W	10K P type	R2_49

No.	Part No.	Descriptions	Specification	Remark
127	RA00062	metal-oxide-film resistor 3W	1.0K RSS P type	R2_63
128	RA00880	cement resistor 5W	0.22 SQM type	R2_28,R2_29,R2_30,R2_31, R2_33,R2_34,R2_36,R2-35
129	RA00870	cement resistor 5W	12 SQM type	R2_41,R2_40
130	RA00869	cement resistor 5W	1K SQM type	R2_23,R2_24
131	RA00981	cement resistor 10W	3.3K SQM type	R2_15,R2_19
132	CA00010	ceramic capacitor	27PF NPO	C2_10
133	CA00018	ceramic capacitor	56PF NPO	C2_35,C2_36,C2_7
134	CA00024	ceramic capacitor	100PF SL	C2_3,C2_4
135	CA00043	ceramic capacitor	0.0033uF	C2_13,C2_14
136	CA00070	ceramic capacitor	0.022uF/50V±20% Y5U	C2_11
137	CA00047	ceramic capacitor	0.033uF	C2_12
138	CA00053	ceramic capacitor	0.1uF SL	C2_44
139	CF00022	metal-film capacitor MSC	0.022uF/100V 5% CASE01	C2_40
140	CF00013	metal-film capacitor MEF	0.068uF/250V	C2_31
141	CB00143	electrolytic capacitor	10uF/63V 5*11mm	C2_32,C2_43
142	CB00177	electrolytic capacitor	22uF/50V 5*11mm	C2_1,C2_2,R2-43
143	CB00169	electrolytic capacitor	47uF/16V NP 6.3*11mm	C2_9
144	CB00039	electrolytic capacitor	47uF/25V 5*11mm	C2_5
145	CB00149	electrolytic capacitor	47uF/63V 6*11mm	C2_33
146	CB00055	electrolytic capacitor	220uF/16V 8*11mm	C2_37
147	CB00171	electrolytic capacitor	220uF/16V NP 10*12.5mm	C2_34
148	CB00057	electrolytic capacitor	220uF/25V 8*11mm	C2_8,C2_45
149	CB00067	electrolytic capacitor	470uF/35V 10*20mm	C2_42
150	CB00170	electrolytic capacitor	1000uF/100V 18*35.5mm	C2_15,C2_16,C2_17,C2_18, C2_19,C2_20,C2_21,C2_22, C2_23,C2_24,C2_25,C2_26
151	SA00167	bridge rectifier	2A W2-04	D2_2,D2_19,D2_24,D2_27
152	SA00093	rectifier diode	1N4148 0.5A	D2_11,D2_12
153	SA00098	rectifier diode	1A/400V IN4004	D2_10,D2_13,D2_14,D2_20, D2_22,D2_23,D2_25,D2_26, D2_28,D2_9
154	SA00187	rectifier diode	IN5404	D2_15,D2_16
155	SA00002	high speed diode	1A/600V 1N4937	D2_5,D2_6
156	SA00107	zener diode	1W 15V 1N4744	D2_1,D2_4
157	SA00197	zener diode	1W 36V 1N4753	D2_21
158	SA00117	zener diode	1/2W 5.6V 6B1	D2_7,D2_8
159	SA00188	zener diode	1/2W 7.5V	D2_18
160	SA00026	L.E.D	5 circle red B1115	D2_17
161	SB00042	transistor	MJE15032	Q2_1
162	SB00044	transistor	MJE15033	Q2_2
163	SB00130	transistor	MPSA42/(PHILIPS)	Q2_17
164	SB00129	transistor	MPSA92(TO92)/(PHI)	Q2_15,Q2_16
165	SB00023	power transistor	2SA1943-O	Q2_5,Q2_6,Q2_7,Q2_8
166	SB00021	power transistor	2SC5200	Q2_9,Q2_10,Q2_11,Q2_12
167	SD00032	integrated circuit	LM317T	U2_4
168	SD00173	integrated circuit	NJM4580L(JRC)	U2_1,U2_2

No.	Part No.	Descriptions	Specification	Remark
169	CN00060	fixed inductance	2uH 10A(CSAF-302824)(1.5mm*12 1/2T)	L2_1
170	RH00021	thermistor	500 (TDC5C150L)	R2_3
171	RH00017	thermistor	50 (TDC05A050J)	R2_17
172	RH00025	thermistor	100 (PAS7101ZF)	R2_50
173	RC00319	semi-fixed resistor	B100 PT1030-V1B101-C1-H10	R2_16
174	RC00348	semi-fixed resistor	B1K PT1030-V1B102-C1-H10	R2_20,R2_21
175	HI00211	rarely	8P 24VDC/16A 881H-1CC-C	K2_1
176	HI00039	push-button switch	SP70300-0202-11F1-N	S2_1
177	HK02231	Photodiode	P-photosensitive resistance 5LLED	U2_5
178	RH00020	photosensitive resistance	VT90N1	
179	SA00201	L.E.D	5 red(LI3330/A)	
180	NI02779	sleeve	9*30mm	
181	NI00274	sleeve	9*1000mm	
182	HC00324	terminal	6.5m/m (PC250)	JP2_1,JP2_2,JP2_5,JP2_6, JP2_7,JP2_8
183	HC00056	FUSE holder	8*10.6*1.5 JEF-505	JP2_9,JP2_10,JP2_11, JP2_12
184	HC00112	balance MIC jack	99M-107SP-1-2 90° PUSH	J2_1
185	HC00111	balance MIC jack	99M-108SP1	J2_2
186	HC00504	row-wire header	10P 2.54mm 180°	JP2_15,JP2_16,JP2_3
187	HC00172	row-wire header	3P 3.96mm 180°	JP2_13
188	HC00077	row-wire header	3P 2.5mm 180°	R2_5
189	HC00076	row-wire header	2P 2.5mm 180°	JP2_14
190	HA01933	jumper wire	2.5mm	J2_4,J2_5
191	HC00034	short circuit connector	NO.2700 2.54mm/6mm OPEN	
192	HD00029	ceramic tube fuse	15A 6*32mm UL	
193	MJ01200	spacer	MISTRAL4000 14.5*30.5*2t	
194	MJ01201	spacer	MISTRAL4000 14.5*30.5*2t	
195	MJ01154	single light board	2.0t*1850*950mm 27.6kg	
196	MF00030	washer	3* 8*0.8t	
197	MF00037	washer	3* 5*1t	
198	NC00005	silicone insulator	TO-220 square type	
199	MG00171	screw	M3*14	
200	ND00182	silicone sleeve	1*30mm	
201	ND00171	silicone sleeve	1*1000mm	
202	NC00181	insulator	MISTRAL4000 1.6t*136*16mm	
203	NC00041	red foil white board	1.6t*0.65M*70M	
204	MI01954	fixed bracket	MISTRAL4000 1.5t*136*16mm right	
205	MJ00069	iron board	1.5*2135*1220 30.67kg	
206	HA02759	wire	5P-5P 120mm UL1007 24AWG	
207	CA00088	ceramic capacitor	100PF/1000V	Q2-1,Q2-2
208	MI02325	heat-sink	9*83*70*309 right_V1.0	
209	MI02359	heat sink	9*83*70*4400 +5/-0 18.8320KG_V1.0	
210	RA00713	fixed resistor 1/4W	1.0K F type	C2-6

No.	Part No.	Descriptions	Specification	Remark
211	AC00002	solder wire	63/37%	
212	HK03958	PC board	P-MIS40PWR	
213	HB00946	PCB	MIS40PWR_VER030710	
214	HC00324	terminal	6.5m/m (PC250)	P1,P2,P3,P4,P5,P6,P7,P8
215	CG00044	metal oxide varistors	NP35L-Y2	K2-2
216	AC00002	solder wire	63/37%	
217	HK03959	PC board	P-MIS40FP2	
218	HB00947	PCB	MIS40FP2_VER030710	
219	SA00191	L.E.D	3 (LEG2062)	D1_1,D2_1
220	SA00053	L.E.D	3 round(red)long foot 26mm	D1+3,D2_3
221	SA00054	L.E.D	3m/m round(yellow)long foot 26	D1_30,D2_30
222	HC00066	row-wire header	3P 2.5mm 90°	CN1_1,CN2_1
223	RC00209	PPBC239	A10K RV110-40E1-225A-A14	VR1_1,VR2_1
224	SA00194	L.E.D	3	D1_29,D2_29
225	NI01765	LED spacer support	LEDS-10 10mm	
226	HA02450	wire	10P-10P 350mm UL2651 28AWG PH1.27mm	JP2_22
227	HA02451	wire	10P-10P 250mm UL2651 28AWG PH1.27mm	JP1_22
228	AC00002	solder wire	63/37%	
229	HK04608	PC board	P-MIS60SP	
230	HC00442	speaker socket	NL4MP (NEUTRIK)	SPK1,SPK2
231	MJ00942	fixed bracket	CS12/600	
232	MJ00061	Zn-plated board	1*2135*1220 20.45kg	
233	HA01239	single terminal wiring CF:W209	180mm UL1015 14AWG white	JP5
234	HA01237	single terminal wiring CF:W207	200mm UL1015 14AWG gray	JP2
235	HA02471	single terminal wiring	360mm UL1015 14AWG white	JP7
236	HA01258	single terminal wiring	380mm UL1015 14AWG gray	JP8
237	HA03432	single terminal wiring	100mm UL1015 14AWG	JP1,JP3
238	HA03433	single terminal wiring	100mm UL1015 14AWG	JP6,JP4
239	HB01396	PCB	MIS60SP(2*4)_VER040922	
240	AC00002	solder wire	63/37%	
241	HK03847	PC board	P-DPA2500-RS-DIP	
242	HK00603	PC board	P-DPA2500-RS-SMD	
243	HB01073	PCB	DPA-RS_VER031103	
244	CI00075	SMD ceramic capacitor 0603	0.1uF/50V Y5V +80,-20%	C1,C2,C4,C5,C6,C7,C8
245	RD00372	SMD precise resistor 1/8W	10.7 ±1% 0805	R3,R4
246	SG00047	SMD integrated circuit	MAX485EESA	IC1
247	CO00006	SMD chip inductance	BLM21A102SPT/(MURATA)	L1,L2,L3,L4,L5
248	AE00221	tin soldering paste	SJ-617	
249	HC00324	terminal	6.5m/m (PC250)	
250	CB00040	electrolytic capacitor	47uF/25V 5*11mm	C3
251	SA00101	zener diode	1W 6.8V 1N4736	D1,D2
252	SA00104	zener diode	1W 10V 1N4740	D3,D4

No.	Part No.	Descriptions	Specification	Remark
253	SD00019	integrated circuit	MAX202ECPE	IC2
254	HA02503	wire	9P-10P 50mm UL2651 28AWG PH1.27mm	CN1
255	HC00048	row-wire header	8PIN A28b-8B.T.6	CN2
256	HC00111	balance MIC jack	99M-108SP1	S1
257	HC00112	balance MIC jack	99M-107SP-1-2 90° PUSH	S2
258	AC00002	solder wire	63/37%	
259	HK03846	PC board	P-DPA2500-DISPLAY	
260	HB01071	PCB	DPA-DIS-1(2*2)_VER050120	
261	CH00017	laminated capacitor	0.1uF/50V Y5V PH5	C1
262	CB00026	electrolytic capacitor	10uF/50V 6*7mm	C2
263	RA00647	fixed resistor 1/8W	4.7K M type	R1,R2
264	RA00651	fixed resistor 1/8W	10K M type	R3,R4,R5,R6,R7,R8
265	HB01070	PCB	DPA-DIS-2_VER030916	
266	HH00005	seven paragraph monitor	LSD3561-10	DL2,DL3
267	HC00435	row pin (single)#1100	2.54 180° 5P6/11.6mm	CN3,CN4
268	SA00051	L.E.D	3 orange, green BOG303b	DL11
269	SA00072	L.E.D	3 red LI2340/A	DL1,DL4,DL5,DL6,DL7, DL8,DL9,DL10
270	SB00072	transistor	BC559C,126	TR1,TR2
271	HI00238	push-button switch	2 stage 6P PS-9226A(NON-LOCK)	SW1,SW2,SW3,SW4
272	HC00050	row-wire header	14PIN A28b-14B.T.6	CN1
273	HC00051	row-wire header	20PIN A28b-20B.T.6	CN2
274	HA01919	jumper wire	5mm	J1,J2,J3,J6,J9
275	HA02249	wire	0.6	
276	HA01917	jumper wire	3mm	J4,J8,J10
277	HA01920	jumper wire	6mm	J5,J7,J3
278	HA02249	wire	0.6	
279	NI01771	LED spacer support	LEDS-5 5mm	DL1,DL10,DL11,DL4,DL5, DL6,DL7,DL8,DL9
280	MG00269	screw	M3*6	
281	NI01876	LED spacer support	7.6*4.5*184	
282	AC00002	solder wire	63/37%	
283	HK03845	PC board	P-DPA2500-PWR-DIP	
284	CB00024	electrolytic capacitor	10uF/16V 4*7mm	C1,C3,C10,C11
285	CB00072	electrolytic capacitor	1000uF/25V 10*20mm	C9,C8
286	SD00074	integrated circuit	L7805CV(TO-220)(ST)	U3
287	SD00169	integrated circuit	L7905CV(TO-220)(ST)	U4
288	HC00066	row-wire header	3P 2.5mm 90°	CN2
289	HC00560	row pin (single)#2200	2.54 180° 2*5P 6/11.6mm	CN1
290	HC00070	row-wire header	6P 2.5mm 90°	CN3
291	HI00161	relay	RY-5W-K,5V	REL1
292	HC00047	row-wire header	6PIN A28b-6B.T.6	J7
293	HC00048	row-wire header	8PIN A28b-8B.T.6	J1,J6
294	HC00051	row-wire header	20PIN A28b-20B.T.6	J2,J3

No.	Part No.	Descriptions	Specification	Remark
295	HC00050	row-wire header	14PIN A28b-14B.T.6	J5,J4
296	NC00005	silicone insulator	TO-220 square type	
297	NI00863	insulate bean	TO220B	
298	MG00270	screw	M3*10	
299	MI01820	fixed bracket	DPA4000 2.5t*42.5*83.8*102.5	
300	MJ00093	AL plate	2.5*2000*1000 13.6kg	
301	MG00252	copper pole	M3*6.2*0.5PHsingle,length12	
302	MG00363	copper pillar	M3*14*0.5PH	
303	MG00269	screw	M3*6	
304	HK00602	PC board	P-DPA2500-PWR-SMD	
305	HB01072	PCB	DPA-PWR_VER030916	
306	CI00075	SMD ceramic capacitor 0603	0.1uF/50V Y5V +80,-20%	C7,C12,C13,C14,C15
307	CI00051	SMD ceramic capacitor 0603	22PF/50V NPO ±5%	C2,C4,C5,C6
308	RD00101	SMD fixed resistor 1/10W	10K ±5% 0603	R1,R3,R6,R8,R10,R11
309	RD00081	SMD fixed resistor 1/10W	750 ±5% 0603	R2,R4
310	RD00085	SMD fixed resistor 1/10W	1.5K ±5% 0603	R12,R13,R14,R15,R16,R17, R18,R19,R20,R21,R22,R23, R24,R25,R26,R27,R28,R29
311	RD00059	SMD fixed resistor 1/10W	0.0 ±5% 0603	R30,R9
312	SE00011	SMD rectifier diode	RLS4148 0.5A (LL-34)	D1
313	SF00056	transistor	MMBT3904(SOT-23)/(PHI)	Q2
314	SG00040	SMD integrated circuit	MC33078DT(ST)MC33078D(ON)	U1,U2
315	SE00030	SMD rectifier diode	SFS1B	D2,D3,D4,D5
316	RD00088	SMD fixed resistor 1/10W	2.2K ±5% 0603	R5,R7
317	AE00221	tin soldering paste	SJ-617	
318	AC00002	solder wire	63/37%	
319	HK03830	PC board	P-313089-4-DIP	
320	CB00048	electrolytic capacitor	100uF/25V 6*11mm	C2
321	CB00069	electrolytic capacitor	1000uF/6.3V 8*11mm	C4
322	RA00515	precise resistor 1/4W	10.0K M type	R12,R13
323	HC00080	row-wire header	6P 2.5mm 180°	
324	HC00047	row-wire header	6PIN A28b-6B.T.6	CN4
325	HC00048	row-wire header	8PIN A28b-8B.T.6	CN1
326	HC00050	row-wire header	14PIN A28b-14B.T.6	CN6
327	HC00051	row-wire header	20PIN A28b-20B.T.6	CN5
328	SC00319	crystal oscillator	12.288MHZ	XT1
329	HC00162	row pin (single)#6100	1.27 180°14P(gold-plated)6.0/11.54mm	CN2,CN7
330	ND00098	EV bubble sponge	40*14*5	
331	HK03831	PC board	P-313089-4-SMD	
332	HB00400	PCB	313089 (90*77.5)_VER020507	
333	CI00046	SMD ceramic capacitor 1206	1uF/16V Y5V-1206(3216)	C28
334	CI00049	SMD ceramic capacitor 0603	15PF/50V NPO ±5%	C12,C14

No.	Part No.	Descriptions	Specification	Remark
335	CI00051	SMD ceramic capacitor 0603	22PF/50V NPO ±5%	C29 C1,C10,C11,C13,C15,C17, C16,C18,C19,C20,C21,
336	CI00075	SMD ceramic capacitor 0603	0.1uF/50V Y5V +80,-20%	C22,C23,C24,C25,C27, C3,C30,C31,C32,C33,C34, C35,C6,C7,C8,C9
337	CL00006	SMD tantalum capacitor	10uF/16V case B2	C26,C5
338	RD00068	SMD fixed resistor 1/10W	100 ±5% 0603	R14,R15,R2,R27,R29,R30, R32,R39,R40,R6,R7,R8
339	RD00073	SMD fixed resistor 1/10W	220 ±5% 0603	R19,R20,R22,R35,R36,R37, R38,R5
340	RD00076	SMD fixed resistor 1/10W	330 ±5% 0603	R28
341	RD00079	SMD fixed resistor 1/10W	560 ±5% 0603	R25
342	RD00082	SMD fixed resistor 1/10W	820 ±5% 0603	R16,R17
343	RD00085	SMD fixed resistor 1/10W	1.5K ±5% 0603	R18
344	RD00086	SMD fixed resistor 1/10W	1.8K ±5% 0603	R21
345	RD00093	SMD fixed resistor 1/10W	4.7K ±5% 0603	R3,R33,R34
346	RD00101	SMD fixed resistor 1/10W	10K ±5% 0603	R11,R24,R26,R9
347	RD00125	SMD fixed resistor 1/10W	1.0M ±5% 0603	R23
348	RE00006	SMD resistor networks 1/16W	100 *4 ±5% 8P 0603	AR1,AR10,AR13,AR14,AR16, AR18,AR2,AR3,AR4,AR5,AR8
349	RE00008	SMD resistor networks 1/16W	4.7K *4 ±5% 8P 0603	AR11,AR15,AR17,AR6,AR7
350	RE00007	SMD resistor networks 1/16W	470 *4 ±5% 8P 0603	AR9
351	SE00011	SMD rectifier diode	RLS4148 0.5A (LL-34)	D1
352	SG00068	SMD integrated circuit	74HC14DT(SO-14)/(PHI)	IC5
353	SG00049	SMD integrated circuit	AS4C256K16F0-60JC	IC1
354	SG00025	SMD integrated circuit	24LC64I/SN	IC6
355	SG00184	SMD integrated circuit	EN29F040A-70JC/DPA	IC3
356	SG00217	SMD integrated circuit	EN29F040A-70JC(PL032)/(E-ON)	
357	SG00335	SMD integrated circuit	TY-1 ALTO(LEM NO#105008)_V1.1	IC2
358	SG00128	SMD integrated circuit	RED 208(LEM NO#105008)	
359	SG00069	SMD integrated circuit	MAX709L-CSA	IC4
360	CO00006	SMD chip inductance	BLM21A102SPT/(MURATA)	L1,L2,L3,L4,L5,L6
361	HC00233	IC socket (PCB)	PLCC32 (D03-32T.A.4)	IC3
362	AE00221	tin soldering paste	SJ-617	
363	HK01289	PC board	P-313111-SMD	
364	HB00401	PCB	313111 (37*75)_VER020507	
365	CI00064	SMD ceramic capacitor 0603	680PF/50V NPO ±5 %	C32,C33,C43,C45
366	CI00067	SMD ceramic capacitor 0603	0.0022uF/50V X7R ±10%	C31,C46
367	CI00071	SMD ceramic capacitor 0603	0.01uF/50V X7R ±10%	C15,C19
368	CI00075	SMD ceramic capacitor 0603	0.1uF/50V Y5V +80,-20%	C18,C25,C3,C34,C35,C36, C37,C38,C39,C4,C41,C42, C7,C8,C9 C1,C10,C11,C12,C13,C14, C16,C17,C2,C20,C21,C22, C23,C24,C26,C27,C28,C29, C30,C40,C44,C5,C6
369	CL00006	SMD tantalum capacitor	10uF/16V case B2	
370	RD00063	SMD fixed resistor 1/10W	22 ±5% 0603	R10,R3,R7,R9
371	RD00088	SMD fixed resistor 1/10W	2.2K ±5% 0603	R12,R17,R18,R19,R21,R23, R24,R27
372	RD00091	SMD fixed resistor 1/10W	3.3K ±5% 0603	R16,R20,R22,R28

No.	Part No.	Descriptions	Specification	Remark
373	RD00093	SMD fixed resistor 1/10W	4.7K ±5% 0603	R1,R13,R4,R6
374	RD00101	SMD fixed resistor 1/10W	10K ±5% 0603	R25,R26
375	SG00054	SMD integrated circuit	AK4393VF AKM	IC2
376	SG00061	SMD integrated circuit	AK5383VS AKM	IC1
377	SG00040	SMD integrated circuit	MC33078DT(ST)MC33078D(ON)	IC3,IC4,IC5,IC6
378	AE00221	tin soldering paste	SJ-617	
379	AC00002	solder wire	63/37%	
380	HI00143	manual reposition switch	A0701HM-8A	
381	HA02659	wire	8P-8P 160mm UL2651 28AWG PH1.27mm	
382	HA02660	wire	14P-14P 460mm UL2651 28AWG PH1.27mm	
383	HA02661	wire	20P-20P 460mm UL2651 28AWG PH1.27mm	
384	HA02678	wire	10P *3 540mm UL2651 28AWG PH1.27mm	
385	HA01502	header wiring	6P-6P 120	
386	HA01661	header wiring FL-0464A	20P-20P PH1.27 65	
387	HA01660	header wiring FL-0464A	14P-14P PH1.27mm 65mm	
388	HA01659	header wiring FL-0464A	8P-8P PH1.27 75	
389	HA01658	header wiring FL-0464A	6P-6P PH1.27 65	
390	HA01241	wire	480mm UL1015 14AWG brown	
391	HA01248	single terminal wiring	150mm UL1015 14AWG brown	
392	NA00116	PE bag	0.04t*170*100mm	
393	NI01867	self-adhere foot cushion	20.5*14*7.6mm(SF-006)	
394	NI00389	washer	12* 16*0.5	
395	NI00375	film	45*60.5*0.5mm	
396	MJ01227	cushion	MISTRAL2500	
397	MJ01228	cushion	MISTRAL2500 2.0t*422*15	
398	MJ01154	single light board	2.0t*1850*950mm 27.6kg	
399	HK04156	PC board	P-MIS40MN CH1(MISTRAL2500)	
400	HB01394	PCB	MIS60MNCH1_VER041020	
401	RA00211	fixed resistor 1/4W	820 M type	R1_14,R1_18
402	RA00239	fixed resistor 1/4W	8.2K M type	R1_53
403	RA00266	fixed resistor 1/4W	47K M type	R1_47
404	RA00174	fixed resistor 1/4W	47 M type	R1_52
405	RA00299	fixed resistor 1/4W	330K M type	R1_42,R1_48
406	RA00200	fixed resistor 1/4W	330 M type	R1_10,R1_55
407	RA00616	fixed resistor 1/4W	470 M type	R1_9
408	RA00217	fixed resistor 1/4W	1.5K M type	R1_45
409	RA00158	fixed resistor 1/4W	0.0 M type	R1_2
410	RA00246	fixed resistor 1/4W	15K M type	R1_11,R1_64
411	RA00219	fixed resistor 1/4W	1.8K M type	R1_1
412	RA00282	fixed resistor 1/4W	100K M type	R1_43,R1_46,R1_51
413	RA00184	fixed resistor 1/4W	100 M type	R1_57
414	RA00242	fixed resistor 1/4W	10K M type	R1_54,R1_8
415	RA00908	fixed resistor 1/2W	68K P type	R1_58

No.	Part No.	Descriptions	Specification	Remark
416	RA00909	fixed resistor 1/2W	82K P type	R1_56
417	RB00010	resistor networks 1/8W	10K 8P C Type	RB1_1
418	RA00027	metal-oxide-film resistor 1W	5.6 P type	R1_22,R1_62
419	RA00007	metal-oxide-film resistor 1W	22 P type	R1_25,R1_32
420	RA00020	metal-oxide-film resistor 1W	6.8K P type	R1_44
421	RA00051	metal-oxide-film resistor 2W	5.6 P type	R1_39
422	RA00953	metal-oxide-film resistor 5W	10K P type	R1_49
423	RA00062	metal-oxide-film resistor 3W	1.0K RSS P type	R1_63
424	RA00880	cement resistor 5W	0.22 SQM type	R1_28,R1_29,R1_30,R1_31, R1_33,R1_34,R1_36,R1-35
425	RA00870	cement resistor 5W	12 SQM type	R1_40,R1_41
426	RA00869	cement resistor 5W	1K SQM type	R1_23,R1_24
427	RA00981	cement resistor 10W	3.3K SQM type	R1_15,R1_19
428	CA00010	ceramic capacitor	27PF NPO	C1_10
429	CA00018	ceramic capacitor	56PF NPO	C1_36,C1_35,C1_7
430	CA00024	ceramic capacitor	100PF SL	C1_3,C1_4
431	CA00043	ceramic capacitor	0.0033uF	C1_13,C1_14
432	CA00070	ceramic capacitor	0.022uF/50V±20% Y5U	C1_11
433	CA00047	ceramic capacitor	0.033uF	C1_12
434	CA00053	ceramic capacitor	0.1uF SL	C1_44
435	CF00022	metal-film capacitor MSC	0.022uF/100V 5% CASE01	C1_40
436	CF00013	metal-film capacitor MEF	0.068uF/250V	C1_31
437	CB00185	electrolytic capacitor	10uF/63V 5*11mm	C1_32,C1_43
438	CB00177	electrolytic capacitor	22uF/50V 5*11mm	C1_2,C1_1,R1-43
439	CB00169	electrolytic capacitor	47uF/16V NP 6.3*11mm	C1_9
440	CB00039	electrolytic capacitor	47uF/25V 5*11mm	C1_5
441	CB00149	electrolytic capacitor	47uF/63V 6*11mm	C1_33
442	CB00055	electrolytic capacitor	220uF/16V 8*11mm	C1_37
443	CB00171	electrolytic capacitor	220uF/16V NP 10*12.5mm	C1_34
444	CB00057	electrolytic capacitor	220uF/25V 8*11mm	C1_8,C1_45
445	CB00067	electrolytic capacitor	470uF/35V 10*20mm	C1_42
446	CB00170	electrolytic capacitor	1000uF/100V 18*35.5mm	C1_15,C1_16,C1_17,C1_18, C1_19,C1_20,C1_21,C1_22, C1_23,C1_24,C1_25,C1_26
447	SA00167	bridge rectifier	2A W2-04	D1_19,D1_2,D1_24,D1_27
448	SA00093	rectifier diode	1N4148 0.5A	D1_11,D1_12
449	SA00098	rectifier diode	1A/400V IN4004	D1_10,D1_13,D1_14,D1_20, D1_22,D1_23,D1_25,D1_26, D1_28,D1_9
450	SA00187	rectifier diode	IN5404	D1_15,D1_16
451	SA00002	high speed diode	1A/600V 1N4937	D1_5,D1_6
452	SA00107	zener diode	1W 15V 1N4744	D1_1,D1_4
453	SA00197	zener diode	1W 36V 1N4753	D1_21
454	SA00117	zener diode	1/2W 5.6V 6B1	D1_7,D1_8
455	SA00188	zener diode	1/2W 7.5V	D1_18
456	SA00026	L.E.D	5 circle red B1115	D1_17
457	SB00042	transistor	MJE15032	Q1_1

No.	Part No.	Descriptions	Specification	Remark
458	SB00044	transistor	MJE15033	Q1_2
459	SB00130	transistor	MPSA42/(PHILIPS)	Q1_17
460	SB00129	transistor	MPSA92(TO92)/(PHI)	Q1_15,Q1_16
461	SB00023	power transistor	2SA1943-O	Q1_6,Q1_7,Q1_8,Q1_5
462	SB00021	power transistor	2SC5200	Q1_10,Q1_11,Q1_12,Q1_9
463	SD00032	integrated circuit	LM317T	U1_4
464	SD00173	integrated circuit	NJM4580L(JRC)	U1_1,U1_2
465	CN00060	fixed inductance	2uH 10A(CSAF-302824)(1.5mm*12 1/2T)	L1_1
466	RH00021	thermistor	500 (TDC5C150L)	R1_3
467	RH00017	thermistor	50 (TDC05A050J)	R1_17
468	RH00025	thermistor	100 (PAS7101ZF)	R1_50
469	RC00319	semi-fixed resistor	B100 PT1030-V1B101-C1-H10	R1_16
470	RC00348	semi-fixed resistor	B1K PT1030-V1B102-C1-H10	R1_20,R1_21
471	HI00211	rarely	8P 24VDC/16A 881H-1CC-C	K1_1
472	HI00039	push-button switch	SP70300-0202-11F1-N	S1_1
473	HK02231	Photodiode	P-photosensitive resistance 5LLED	U1_5
474	RH00020	photosensitive resistance	VT90N1	
475	SA00201	L.E.D	5 red(LI3330/A)	
476	NI02779	sleeve	9*30mm	
477	NI00274	sleeve	9*1000mm	
478	HC00324	terminal	6.5m/m (PC250)	JP1_1,JP1_2,JP1_5,JP1_6, JP1_7,JP1_8
479	HC00056	FUSE holder	8*10.6*1.5 JEF-505	JP1_10,JP1_11,JP1_12, JP1_9
480	HC00112	balance MIC jack	99M-107SP-1-2 90° PUSH	J1_1
481	HC00111	balance MIC jack	99M-108SP1	J1_2
482	HC00504	row-wire header	10P 2.54mm 180°	JP1_15,JP1_16,JP1_3
483	HC00172	row-wire header	3P 3.96mm 180°	JP1_13
484	HC00077	row-wire header	3P 2.5mm 180°	R1_5
485	HC00076	row-wire header	2P 2.5mm 180°	JP1_14
486	HA01933	jumper wire	2.5mm	J1_4,J1_5
487	HC00034	short circuit connector	NO.2700 2.54mm/6mm OPEN	
488	HD00029	ceramic tube fuse	15A 6*32mm UL	
489	MJ01200	spacer	MISTRAL4000 14.5*30.5*2t	
490	MJ01201	spacer	MISTRAL4000 14.5*30.5*2t	
491	MJ01154	single light board	2.0t*1850*950mm 27.6kg	
492	MF00030	washer	3* 8*0.8t	
493	MF00037	washer	3* 5*1t	
494	NI00279	sleeve	15*20mm	U1_4
495	NI00278	sleeve	15*1000mm	
496	NC00005	silicone insulator	TO-220 square type	
497	MG00171	screw	M3*14	
498	ND00182	silicone sleeve	1*30mm	
499	ND00171	silicone sleeve	1*1000mm	
500	NC00181	insulator	MISTRAL4000 1.6t*136*16mm	

No.	Part No.	Descriptions	Specification	Remark
501	NC00041	red foil white board	1.6t*0.65M*70M	
502	MI01954	fixed bracket	MISTRAL4000 1.5t*136*16mm right	
503	MJ00069	iron board	1.5*2135*1220 30.67kg	
504	HA02759	wire	5P-5P 120mm UL1007 24AWG	
505	CA00088	ceramic capacitor	100PF/1000V	Q1-1,Q1-2
506	MI02324	heat-sink	9*83*70*309 left_V1.0	
507	MI02359	heat sink	9*83*70*4400 +5/-0 18.8320KG_V1.0	
508	RA00713	fixed resistor 1/4W	1.0K F type	C2-6
509	AC00002	solder wire	63/37%	
510	AD00012	twin adhesive	90*120mm_V1.0	
511	NA00279	clip-chain bag	0.04t*100*150mm_V1.0	
512	HA01394	row-wire connector wiring	3P-3P 120	
513	HC00295	terminal	JS205-110	
514	MF00020	washer	5* 12*1t	
515	MF00039	washer	5* 8*1t	
516	MD00444	protective cover	80*80mm(K-G08A05-4HA)	
517	MG00128	screw	M3*16	
518	MI00237	heat-sink	FX22 4*34.5*16.5*34.5mm	
519	MI00409	fixed piece	FX22	
520	NI02245	heat conduction rubber	25*25*0.25 white (3M #9890)	
521	HA02621	computer connect wire	9P(female)-9P(female) UL2464 28AWG 5000m	
522	HK00787	PC board	P-MIS2500-INPUT(MIC jack)	
523	HB01104	PCB	MIS40IN-2_VER031206	
524	HC00077	row-wire header	3P 2.5mm 180°	CN1
525	HC00110	MIC jack	JY-6314-02-340	JP1
526	AC00002	solder wire	63/37%	
527	HK00793	PC board	P-MIS2500-INPUT	
528	HB01105	PCB	MIS40IN-1_VER031206	
529	HC00297	terminal block	DT-55-A14W-03(3PH)	CN1
530	HC00077	row-wire header	3P 2.5mm 180°	CN3
531	HC00079	row-wire header	5P 2.5mm 180°	CN4
532	AC00002	solder wire	63/37%	
533	MG00061	screw	M3*10	
534	MG00027	screw	M3*12	
535	NE02717	label	MADE IN CHINA	
536	NH00038	paper	0.115*1M	
537	NI00028	membrane	0.110*1M	
538	MG00588	screw	4.75*11.8mm	

DPA4000 part list

No.	Part No.	Descriptions	Specification	Remark
1	MA04096	panel	MISTRAL4000	
2	MA04097	panel	MISTRAL4000	
3	MA04098	panel	MISTRAL4000 3.1*88.8*25.5*483	
4	MI01309	panel	3.1*88.8*25.5*483	
5	MA04394	panel	DPA4000 ALTO_V1.0	
6	MA04395	panel	DPA4000	
7	MA04396	panel	DPA4000 1.5t*22.4*81.4*422	
8	MJ00088	single light board	1.5*2135*1220 30.67kg	
9	MB02959	rear board	DPA4000_V1.0	
10	MB02960	rear board	DPA4000_V1.2	
11	MB02961	rear board	DPA4000 1.5t*85.5*370*430_V1.2	
12	MJ00088	single light board	1.5*2135*1220 30.67kg	
13	ME00051	iron pillar	M3*12	
14	MI01516	barrier	MISTRAL4000 57*177*195	
15	MJ00058	single light board	1*2135*1220 20.45kg	
16	ME00001	screw pillar	M4*10*0.7PH	
17	ME00002	screw pillar	M4*20*0.7PH	
18	MC00517	top cover	MISTRAL4000_V1.0	
19	MC00622	top cover	MISTRAL2500_V1.0	
20	MC00621	top cover	MISTRAL2500_V1.0	
21	MJ00088	single light board	1.5*2135*1220 30.67kg	
22	MI01744	handle	MISTRAL4000 20*25.5*80	
23	MI01745	handle	MISTRAL4000 20*25.5*80	
24	MI01750	fixed bracket	MISTRAL4000 left L type	
25	MI01751	fixed bracket	MISTRAL4000 left L type	
26	MJ01154	single light board	2.0t*1850*950mm 27.6kg	
27	MI02452	fixed bracket	DPA2500 right L type_V1.0	
28	MI02781	fixed bracket	MISTRAL4000 right	
29	MI01753	fixed bracket	MISTRAL4000 right Type	
30	MJ01154	single light board	2.0t*1850*950mm 27.6kg	
31	MI01746	front board	MISTRAL4000 14*81*89	
32	MJ00061	Zn-plated board	1*2135*1220 20.45kg	
33	MI01759	barrier	MISTRAL4000 0.8t*53.5*78_V1.1	
34	MJ00067	single light board	1.0t*2440*1220 18.69kg	
35	MI01756	barrier	MISTRAL4000 0.8t*53.5*78_V1.1	
36	MJ00067	single light board	1.0t*2440*1220 18.69kg	
37	NI02650	knob	18*18mm	
38	NI02651	knob fix sheath	10* 22.5	
39	NI01863	key	5.5*W10*7.5	
40	NI02145	acrylic panel	DPA series ALTO_V1.1	
41	NI02146	acrylic panel	DPA4000 (3t*40*47mm)	

No.	Part No.	Descriptions	Specification	Remark
42	HC00005	AC socket	AC-008	
43	HI00031	power switch	R415KKETOF	
44	SA00200	bridge rectifier	40A/400V BP40-04	
45	HA01243	wire	300mm UL1015 14AWG brown	
46	HA01333	single terminal wiring	150mm UL1015 18AWG green/yellow	
47	HA01247	single terminal wiring	180mm UL1015 14AWG blue	
48	HA02469	wire	3P-3P 480mm 28AWG blue	
49	HA02470	wire	3P-3P 600mm 28AWG blue	
50	HA02452	wire	10Pfema*3 415mm UL2651 28AWG PH1.27mm	
51	HA02448	wire	530mm UL1015 14AWG red	
52	HA02449	wire	700mm UL1015 14AWG black	
53	HA01244	2 terminal wiring	380mm UL1015 14AWG red	
54	HA01198	wire	180mm UL1015 14AWG black	
55	MG00247	copper pillar	M3*10*0.5PHsingle length16	
56	MG00061	screw	M3*10	
57	MG00295	screw	M4*6	
58	MG00025	screw	M3*6	
59	MG00042	screw	M3*10	
60	MF00037	washer	3* 5*1t	
61	ME00015	nut	3m/m	
62	MF00038	washer	4* 7*1t	
63	ME00016	nut	4m/m	
64	MF00048	washer	4* 8*0.5t	
65	MF00018	washer	4* 10*1t	
66	MG00268	screw	M5*12	
67	MG00041	screw	M3*6	
68	MG00075	screw	M4*16	
69	ME00006	nut	9	
70	MF00004	washer	9* 14*0.5t	
71	NI00437	rubber coil	20* 120*2tB	
72	MG00556	screw	M8*82.5*1.25PH_V1.0	
73	ME00026	nut	8m/m	
74	MF00026	washer	8* 18*1.5t	
75	MF00041	washer	8* 13.5*2t	
76	MH00766	iron piece	11* 90*2_V1.1	
77	MH00768	iron piece	11* 90*2_V1.1	
78	MJ01154	single light board	2.0t*1850*950mm 27.6kg	
79	TD00263	transformer	PT-DPA4000_115/230V	
80	NI00252	sleeve	4*20mm	
81	NI00248	sleeve	4*1000mm	
82	HE00050	fan	DV12V/0.37A 80*80*25 360mm JST2P	
83	NI00312	power switch button	square 5*5*9 hole 2.8*2.8 black	

No.	Part No.	Descriptions	Specification	Remark
84	HA00871	power cord(Europe 3P)	LT-322+1.5*3C(H05VV-F) 6FT+LT-501	
85	NI00218	cable tie-black	ALT-102SB	
86	HJ00006	desiccant	30g	
87	NA00135	PE bag	0.05t*610*500mm	
88	NB01944	barrier	PSA-3000_V1.1	
89	NE08281	label	DPA2500 220-240V_V1.0	
90	NI00015	membrane	0.04*1M	
91	NI00014	membrane	0.035*1M	
92	NF00061	assurance card	ALTO	
93	NE12928	label	DPA4000_V1.0	
94	NH00012	bond paper	0.04*1M	
95	NI00014	membrane	0.035*1M	
96	NE11347	label	ALTO PI	
97	NH00334	cone paper	0.040*1m	
98	NC00059	fixed board	1*46*46(Sax-2000)	
99	NC00175	insulator	1.0t*51mm*100M	
100	HI00141	manual reposition switch	A0701HM-10A	
101	HA01241	wire	480mm UL1015 14AWG brown	
102	HA01248	single terminal wiring	150mm UL1015 14AWG brown	
103	NA00116	PE bag	0.04t*170*100mm	
104	NI01867	self-adhere foot cushion	20.5*14*7.6mm(SF-006)	
105	NI00389	washer	12* 16*0.5	
106	NI00375	film	45*60.5*0.5mm	
107	MJ01227	cushion	MISTRAL2500	
108	MJ01228	cushion	MISTRAL2500 2.0t*422*15	
109	MJ01154	single light board	2.0t*1850*950mm 27.6kg	
110	HA01394	row-wire connector wiring	3P-3P 120	
111	MD00444	protective cover	80*80mm(K-G08A05-4HA)	
112	HA02659	wire	8P-8P 160mm UL2651 28AWG PH1.27mm	
113	HA02660	wire	14P-14P 460mm UL2651 28AWG PH1.27mm	
114	HA02661	wire	20P-20P 460mm UL2651 28AWG PH1.27mm	
115	HA02678	wire	10P fema*3 540mm UL2651 28AWGPH1.27mm	
116	HA01502	header wiring	6P-6P 120	
117	HK04178	PC board	P-MIS40MN CH2(MISTRAL4000)	
118	HB01395	PCB	MIS60MNCH2_VER050203	
119	RA00211	fixed resistor 1/4W	820 M type	R2_14,R2_18
120	RA00239	fixed resistor 1/4W	8.2K M type	R2_53
121	RA00266	fixed resistor 1/4W	47K M type	R2_47
122	RA00174	fixed resistor 1/4W	47 M type	R2_52
123	RA00299	fixed resistor 1/4W	330K M type	R2_42,R2_48
124	RA00200	fixed resistor 1/4W	330 M type	R2_10,R2_55
125	RA00616	fixed resistor 1/4W	470 M type	R2_9
126	RA00217	fixed resistor 1/4W	1.5K M type	R2_45

No.	Part No.	Descriptions	Specification	Remark
127	RA00158	fixed resistor 1/4W	0.0 M type	R2_2
128	RA00246	fixed resistor 1/4W	15K M type	R2_11
129	RA00219	fixed resistor 1/4W	1.8K M type	R2_1
130	RA00282	fixed resistor 1/4W	100K M type	R2_43,R2_46,R2_51
131	RA00184	fixed resistor 1/4W	100 M type	R2_57
132	RA00242	fixed resistor 1/4W	10K M type	R2_54,R2_8
133	RA00908	fixed resistor 1/2W	68K P type	R2_58
134	RA00909	fixed resistor 1/2W	82K P type	R2_56
135	RB00010	resistor networks 1/8W	10K 8P C Type	RB2_1
136	RA00027	metal-oxide-film resistor 1W	5.6 P type	R2_22,R2_62
137	RA00007	metal-oxide-film resistor 1W	22 P type	R2_25,R2_32
138	RA00020	metal-oxide-film resistor 1W	6.8K P type	R2_44
139	RA00051	metal-oxide-film resistor 2W	5.6 P type	R2_39
140	RA00953	metal-oxide-film resistor 5W	10K P type	R2_49
141	RA00062	metal-oxide-film resistor 3W	1.0K RSS P type	R2_63
142	RA00880	cement resistor 5W	0.22 SQM type	R2_27,R2_28,R2_29,R2_30, R2_31,R2_33,R2_34,R237, R2_36,R2-26,R2-35,R2-38
143	RA00870	cement resistor 5W	12 SQM type	R2_41,R2_40
144	RA01016	cement resistor 5W	2.2K SQM type	R2_23,R2_24
145	RA01017	cement resistor 10W	4.7K SQM type	R2_15,R2_19
146	CA00010	ceramic capacitor	27PF NPO	C2_10
147	CA00018	ceramic capacitor	56PF NPO	C2_35,C2_36,C2_7
148	CA00024	ceramic capacitor	100PF SL	C2_3,C2_4
149	CA00043	ceramic capacitor	0.0033uF	C2_13,C2_14
150	CA00070	ceramic capacitor	0.022uF/50V±20% Y5U	C2_11
151	CA00047	ceramic capacitor	0.033uF	C2_12
152	CA00053	ceramic capacitor	0.1uF SL	C2_44
153	CF00022	metal-film capacitor MSC	0.022uF/100V 5% CASE01	C2_40
154	CF00013	metal-film capacitor MEF	0.068uF/250V	C2_31
155	CB00185	electrolytic capacitor	10uF/63V 5*11mm	C2_32,C2_43
156	CB00177	electrolytic capacitor	22uF/50V 5*11mm	C2_1,C2_2,R2-43
157	CB00169	electrolytic capacitor	47uF/16V NP 6.3*11mm	C2_9
158	CB00039	electrolytic capacitor	47uF/25V 5*11mm	C2_5
159	CB00149	electrolytic capacitor	47uF/63V 6*11mm	C2_33
160	CB00055	electrolytic capacitor	220uF/16V 8*11mm	C2_37
161	CB00171	electrolytic capacitor	220uF/16V NP 10*12.5mm	C2_34
162	CB00057	electrolytic capacitor	220uF/25V 8*11mm	C2_8,C2_45
163	CB00067	electrolytic capacitor	470uF/35V 10*20mm	C2_42
164	CB00180	electrolytic capacitor	470uF/160V 18*45mm	C2_15,C2_16,C2_17,C2_18, C2_19,C2_20,C2_21,C2_22, C2_23,C2_24,C2_25,C2_26, C2_27,C2_28,C2_29,C2_30
165	SA00167	bridge rectifier	2A W2-04	D2_2,D2_19,D2_24,D2_27
166	SA00093	rectifier diode	1N4148 0.5A	D2_11,D2_12
167	SA00098	rectifier diode	1A/400V IN4004	D2_10,D2_13,D2_14,D2_20, D2_22,D2_23,D2_25,D2_26, D2_28,D2_9

No.	Part No.	Descriptions	Specification	Remark
168	SA00187	rectifier diode	IN5404	D2_15,D2_16
169	SA00002	high speed diode	1A/600V 1N4937	D2_5,D2_6
170	SA00107	zener diode	1W 15V 1N4744	D2_1,D2_4
171	SA00197	zener diode	1W 36V 1N4753	D2_21
172	SA00117	zener diode	1/2W 5.6V 6B1	D2_7,D2_8
173	SA00188	zener diode	1/2W 7.5V	D2_18
174	SA00026	L.E.D	5 circle red B1115	D2_17
175	SB00042	transistor	MJE15032	Q2_1
176	SB00044	transistor	MJE15033	Q2_2
177	SB00130	transistor	MPSA42/(PHILIPS)	Q2_17
178	SB00129	transistor	MPSA92(TO92)/(PHI)	Q2_15,Q2_16
179	SB00023	power transistor	2SA1943-O	Q2_5,Q2_6,Q2_7,Q2_8, Q2_4,Q2_3
180	SB00021	power transistor	2SC5200	Q2_9,Q2_10,Q2_11,Q2_12, Q2_13,Q2_14
181	SD00032	integrated circuit	LM317T	U2_4
182	SD00173	integrated circuit	NJM4580L(JRC)	U2_1,U2_2
183	CN00060	fixed inductance	2uH 10A(CSAF-302824)(1.5mm*12 1/2T)	L2_1
184	RH00021	thermistor	500 (TDC5C150L)	R2_3
185	RH00017	thermistor	50 (TDC05A050J)	R2_17
186	RH00025	thermistor	100 (PAS7101ZF)	R2_50
187	RC00319	semi-fixed resistor	B100 PT1030-V1B101-C1-H10	R2_16
188	RC00348	semi-fixed resistor	B1K PT1030-V1B102-C1-H10	R2_20,R2_21
189	HI00211	relay	8P 24VDC/16A 881H-1CC-C	K2_1
190	HI00039	push-button switch	SP70300-0202-11F1-N	S2_1
191	HK02231	Photodiode	P-photosensitive resistance 5LLED	U2_5
192	RH00020	photosensitive resistance	VT90N1	
193	SA00201	L.E.D	5 red(LI3330/A)	
194	NI02779	sleeve	9*30mm	
195	NI00274	sleeve	9*1000mm	
196	HC00324	terminal	6.5m/m (PC250)	JP2_1,JP2_2,JP2_5,JP2_6, JP2_7,JP2_8
197	HC00056	FUSE holder	8*10.6*1.5 JEF-505	JP2_9,JP2_10,JP2_11, JP2_12
198	HC00112	balance MIC jack	99M-107SP-1-2 90° PUSH	J2_1
199	HC00111	balance MIC jack	99M-108SP1	J2_2
200	HC00504	row-wire header	10P 2.54mm 180°	JP2_15,JP2_16,JP2_3
201	HC00172	row-wire header	3P 3.96mm 180°	JP2_13
202	HC00077	row-wire header	3P 2.5mm 180°	R2_5
203	HC00076	row-wire header	2P 2.5mm 180°	JP2_14
204	HA01933	jumper wire	2.5mm	J2_4,J2_5
205	HC00034	short circuit connector	NO.2700 2.54mm/6mm OPEN	
206	HD00029	ceramic tube fuse	15A 6*32mm UL	
207	MI02325	heat-sink	9*83*70*309 right_V1.0	
208	MI02359	heat sink	9*83*70*4400 +5/-0 18.8320KG_V1.0	
209	MJ01200	spacer	MISTRAL4000 14.5*30.5*2t	

No.	Part No.	Descriptions	Specification	Remark
210	MJ01201	spacer	MISTRAL4000 14.5*30.5*2t	
211	MJ01154	single light board	2.0t*1850*950mm 27.6kg	
212	MF00030	washer	3* 8*0.8t	
213	MF00037	washer	3* 5*1t	
214	NC00005	silicone insulator	TO-220 square type	
215	MG00171	screw	M3*14	
216	ND00182	silicone sleeve	1*30mm	
217	ND00171	silicone sleeve	1*1000mm	
218	NC00181	insulator	MISTRAL4000 1.6t*136*16mm	
219	NC00041	red foil white board	1.6t*0.65M*70M	
220	MI01954	fixed bracket	MISTRAL4000 1.5t*136*16mm right	
221	MJ00069	iron board	1.5*2135*1220 30.67kg	
222	HA02759	wire	5P-5P 120mm UL1007 24AWG	
223	CA00088	ceramic capacitor	100PF/1000V	Q2-1,Q2-2
224	RA00713	fixed resistor 1/4W	1.0K F type	C2-6
225	AC00002	solder wire	63/37%	
226	HK00793	PC board	P-MIS2500-INPUT	
227	HB01105	PCB	MIS40IN-1_VER031206	
228	HC00297	terminal block	DT-55-A14W-03(3PH)	CN1
229	HC00077	row-wire header	3P 2.5mm 180°	CN3
230	HC00079	row-wire header	5P 2.5mm 180°	CN4
231	AC00002	solder wire	63/37%	
232	HK00787	PC board	P-MIS2500-INPUT(MIC jack)	
233	HB01104	PCB	MIS40IN-2_VER031206	
234	HC00077	row-wire header	3P 2.5mm 180°	CN1
235	HC00110	MIC jack	JY-6314-02-340	JP1
236	AC00002	solder wire	63/37%	
237	HK04177	PC board	P-MIS40MN CH1(MISTRAL4000)	
238	HB01394	PCB	MIS60MNCH1_VER041020	
239	RA00211	fixed resistor 1/4W	820 M type	R1_14,R1_18
240	RA00239	fixed resistor 1/4W	8.2K M type	R1_53
241	RA00266	fixed resistor 1/4W	47K M type	R1_47
242	RA00174	fixed resistor 1/4W	47 M type	R1_52
243	RA00299	fixed resistor 1/4W	330K M type	R1_42,R1_48
244	RA00200	fixed resistor 1/4W	330 M type	R1_10,R1_55
245	RA00616	fixed resistor 1/4W	470 M type	R1_9
246	RA00217	fixed resistor 1/4W	1.5K M type	R1_45
247	RA00158	fixed resistor 1/4W	0.0 M type	R1_2
248	RA00246	fixed resistor 1/4W	15K M type	R1_11,R1_64
249	RA00219	fixed resistor 1/4W	1.8K M type	R1_1
250	RA00282	fixed resistor 1/4W	100K M type	R1_43,R1_46,R1_51
251	RA00184	fixed resistor 1/4W	100 M type	R1_57
252	RA00242	fixed resistor 1/4W	10K M type	R1_54,R1_8

No.	Part No.	Descriptions	Specification	Remark
253	RA00908	fixed resistor 1/2W	68K P type	R1_58
254	RA00909	fixed resistor 1/2W	82K P type	R1_56
255	RB00010	resistor networks 1/8W	10K 8P C Type	RB1_1
256	RA00027	metal-oxide-film resistor 1W	5.6 P type	R1_22,R1_62
257	RA00007	metal-oxide-film resistor 1W	22 P type	R1_25,R1_32
258	RA00020	metal-oxide-film resistor 1W	6.8K P type	R1_44
259	RA00051	metal-oxide-film resistor 2W	5.6 P type	R1_39
260	RA00953	metal-oxide-film resistor 5W	10K P type	R1_49
261	RA00062	metal-oxide-film resistor 3W	1.0K RSS P type	R1_63
262	RA00880	cement resistor 5W	0.22 SQM type	R1_27,R1_28,R1_29,R1_30, R1_31,R1_33,R1_34,R1_36, R1_37,R1-26,R1-35,R1-38
263	RA00870	cement resistor 5W	12 SQM type	R1_40,R1_41
264	RA01016	cement resistor 5W	2.2K SQM type	R1_23,R1_24
265	RA01017	cement resistor 10W	4.7K SQM type	R1_15,R1_19
266	CA00010	ceramic capacitor	27PF NPO	C1_10
267	CA00018	ceramic capacitor	56PF NPO	C1_36,C1_35,C1_7
268	CA00024	ceramic capacitor	100PF SL	C1_3,C1_4
269	CA00043	ceramic capacitor	0.0033uF	C1_13,C1_14
270	CA00070	ceramic capacitor	0.022uF/50V±20% Y5U	C1_11
271	CA00047	ceramic capacitor	0.033uF	C1_12
272	CA00053	ceramic capacitor	0.1uF SL	C1_44
273	CF00022	metal-film capacitor MSC	0.022uF/100V 5% CASE01	C1_40
274	CF00013	metal-film capacitor MEF	0.068uF/250V	C1_31
275	CB00185	electrolytic capacitor	10uF/63V 5*11mm	C1_32,C1_43
276	CB00177	electrolytic capacitor	22uF/50V 5*11mm	C1_2,C1_1,R1-43
277	CB00169	electrolytic capacitor	47uF/16V NP 6.3*11mm	C1_9
278	CB00039	electrolytic capacitor	47uF/25V 5*11mm	C1_5
279	CB00149	electrolytic capacitor	47uF/63V 6*11mm	C1_33
280	CB00055	electrolytic capacitor	220uF/16V 8*11mm	C1_37
281	CB00171	electrolytic capacitor	220uF/16V NP 10*12.5mm	C1_34
282	CB00057	electrolytic capacitor	220uF/25V 8*11mm	C1_8,C1_45
283	CB00067	electrolytic capacitor	470uF/35V 10*20mm	C1_42
284	CB00180	electrolytic capacitor	470uF/160V 18*45mm	C1_15,C1_16,C1_17,C1_18, C1_19,C1_20,C1_21,C1_22, C1_23,C1_24,C1_25,C1_26, C1_27,C1_28,C1_29,C1_30
285	SA00167	bridge rectifier	2A W2-04	D1_19,D1_24,D1_27,D1_2
286	SA00093	rectifier diode	1N4148 0.5A	D1_11,D1_12
287	SA00098	rectifier diode	1A/400V IN4004	D1_10,D1_13,D1_14,D1_20, D1_22,D1_23,D1_25,D1_26, D1_28,D1_9
288	SA00187	rectifier diode	IN5404	D1_15,D1_16
289	SA00002	high speed diode	1A/600V 1N4937	D1_5,D1_6
290	SA00107	zener diode	1W 15V 1N4744	D1_1,D1_4
291	SA00197	zener diode	1W 36V 1N4753	D1_21
292	SA00117	zener diode	1/2W 5.6V 6B1	D1_7,D1_8

No.	Part No.	Descriptions	Specification	Remark
293	SA00188	zener diode	1/2W 7.5V	D1_18
294	SA00026	L.E.D	5 circle red B1115	D1_17
295	SB00042	transistor	MJE15032	Q1_1
296	SB00044	transistor	MJE15033	Q1_2
297	SB00130	transistor	MPSA42/(PHILIPS)	Q1_17
298	SB00129	transistor	MPSA92(TO92)/(PHI)	Q1_15,Q1_16
299	SB00023	power transistor	2SA1943-O	Q1_6,Q1_7,Q1_8,Q1_5, Q1_4,Q1_3
300	SB00021	power transistor	2SC5200	Q1_10,Q1_11,Q1_12,Q1_9, Q1_13,Q1_14
301	SD00032	integrated circuit	LM317T	U1_4
302	SD00173	integrated circuit	NJM4580L(JRC)	U1_1,U1_2
303	CN00060	fixed inductance	2uH 10A(CSAF-302824)(1.5mm*12 1/2T)	L1_1
304	RH00021	thermistor	500 (TDC5C150L)	R1_3
305	RH00017	thermistor	50 (TDC05A050J)	R1_17
306	RH00025	thermistor	100 (PAS7101ZF)	R1_50
307	RC00319	semi-fixed resistor	B100 PT1030-V1B101-C1-H10	R1_16
308	RC00348	semi-fixed resistor	B1K PT1030-V1B102-C1-H10	R1_20,R1_21
309	HI00211	relay	8P 24VDC/16A 881H-1CC-C	K1_1
310	HI00039	push-button switch	SP70300-0202-11F1-N	S1_1
311	HK02231	Photodiode	P-photosensitive resistance 5LLED	U1_5
312	RH00020	photosensitive resistance	VT90N1	
313	SA00201	L.E.D	5 red(LI3330/A)	
314	NI02779	sleeve	9*30mm	
315	NI00274	sleeve	9*1000mm	
316	HC00324	terminal	6.5m/m (PC250)	JP1_1,JP1_2,JP1_5,JP1_6, JP1_7,JP1_8
317	HC00056	FUSE holder	8*10.6*1.5 JEF-505	JP1_10,JP1_11,JP1_12, JP1_9
318	HC00112	balance MIC jack	99M-107SP-1-2 90° PUSH	J1_1
319	HC00111	balance MIC jack	99M-108SP1	J1_2
320	HC00504	row-wire header	10P 2.54mm 180°	JP1_15,JP1_16,JP1_3
321	HC00172	row-wire header	3P 3.96mm 180°	JP1_13
322	HC00077	row-wire header	3P 2.5mm 180°	R1_5
323	HC00076	row-wire header	2P 2.5mm 180°	JP1_14
324	HA01933	jumper wire	2.5mm	J1_4,J1_5
325	HC00034	short circuit connector	NO.2700 2.54mm/6mm OPEN	
326	HD00029	ceramic tube fuse	15A 6*32mm UL	
327	MI02324	heat-sink	9*83*70*309 left_V1.0	
328	MI02359	heat sink	9*83*70*4400 +5/-0 18.8320KG_V1.0	
329	MJ01200	spacer	MISTRAL4000 14.5*30.5*2t	
330	MJ01201	spacer	MISTRAL4000 14.5*30.5*2t	
331	MJ01154	single light board	2.0t*1850*950mm 27.6kg	
332	MF00030	washer	3* 8*0.8t	
333	MF00037	washer	3* 5*1t	
334	NI00279	sleeve	15*20mm	U1_4

No.	Part No.	Descriptions	Specification	Remark
335	NI00278	sleeve	15*1000mm	
336	NC00005	silicone insulator	TO-220 square type	
337	MG00171	screw	M3*14	
338	ND00182	silicone sleeve	1*30mm	
339	ND00171	silicone sleeve	1*1000mm	
340	NC00181	insulator	MISTRAL4000 1.6t*136*16mm	
341	NC00041	red foil white board	1.6t*0.65M*70M	
342	MI01954	fixed bracket	MISTRAL4000 1.5t*136*16mm right	
343	MJ00069	iron board	1.5*2135*1220 30.67kg	
344	HA02759	wire	5P-5P 120mm UL1007 24AWG	
345	CA00088	ceramic capacitor	100PF/1000V	Q1-1,Q1-2
346	RA00713	fixed resistor 1/4W	1.0K F type	C2-6
347	AC00002	solder wire	63/37%	
348	HK01708	PC board	P-MIS40PWR(MIS4000)	
349	HB00946	PCB	MIS40PWR_VER030710	
350	HC00324	terminal	6.5m/m (PC250)	P1,P2,P3,P4,P5,P6,P7,P8
351	CG00044	metal oxide varistors	NP35L-Y2	K2-2
352	AC00002	solder wire	63/37%	
353	HK03959	PC board	P-MIS40FP2	
354	HB00947	PCB	MIS40FP2_VER030710	
355	SA00191	L.E.D	3 (LEG2062)	D1_1,D2_1
356	SA00053	L.E.D	3 round(red)long foot 26mm	D1+3,D2_3
357	SA00054	L.E.D	3m/m round(yellow)long foot 26	D1_30,D2_30
358	HC00066	row-wire header	3P 2.5mm 90°	CN1_1,CN2_1
359	RC00209	PPBC239	A10K RV110-40E1-225A-A14	VR1_1,VR2_1
360	SA00194	L.E.D	3	D1_29,D2_29
361	NI01765	LED spacer support	LEDS-10 10mm	
362	HA02450	wire	10P-10P 350mm UL2651 28AWG PH1.27mm	JP2_22
363	HA02451	wire	10P-10P 250mm UL2651 28AWG PH1.27mm	JP1_22
364	AC00002	solder wire	63/37%	
365	HK04608	PC board	P-MIS60SP	
366	HC00442	speaker socket	NL4MP (NEUTRIK)	SPK1,SPK2
367	MJ00942	fixed bracket	CS12/600	
368	MJ00061	Zn-plated board	1*2135*1220 20.45kg	
369	HA01239	single terminal wiring CF:W209	180mm UL1015 14AWG white	JP5
370	HA01237	single terminal wiring CF:W207	200mm UL1015 14AWG gray	JP2
371	HA02471	single terminal wiring	360mm UL1015 14AWG white	JP7
372	HA01258	single terminal wiring	380mm UL1015 14AWG gray	JP8
373	HA03432	single terminal wiring	100mm UL1015 14AWG	JP1,JP3
374	HA03433	single terminal wiring	100mm UL1015 14AWG	JP6,JP4
375	HB01396	PCB	MIS60SP(2*4)_VER040922	
376	AC00002	solder wire	63/37%	
377	HK03845	PC board	P-DPA2500-PWR-DIP	

No.	Part No.	Descriptions	Specification	Remark
378	CB00024	electrolytic capacitor	10uF/16V 4*7mm	C1,C3,C10,C11
379	CB00072	electrolytic capacitor	1000uF/25V 10*20mm	C9,C8
380	SD00074	integrated circuit	L7805CV(TO-220)(ST)	U3
381	SD00169	integrated circuit	L7905CV(TO-220)(ST)	U4
382	HC00066	row-wire header	3P 2.5mm 90°	CN2
383	HC00560	row pin (single)#2200	2.54 180° 2*5P 6/11.6mm	CN1
384	HC00070	row-wire header	6P 2.5mm 90°	CN3
385	HI00161	relay	RY-5W-K,5V	REL1
386	HC00047	row-wire header	6PIN A28b-6B.T.6	J7
387	HC00048	row-wire header	8PIN A28b-8B.T.6	J1,J6
388	HC00051	row-wire header	20PIN A28b-20B.T.6	J2,J3
389	HC00050	row-wire header	14PIN A28b-14B.T.6	J5,J4
390	NC00005	silicone insulator	TO-220 square type	
391	NI00863	insulate bean	TO220B	
392	MG00270	screw	M3*10	
393	MI01820	fixed bracket	DPA4000 2.5t*42.5*83.8*102.5	
394	MJ00093	AL plate	2.5*2000*1000 13.6kg	
395	MG00252	copper pole	M3*6.2*0.5PHsingle,length12	
396	MG00363	copper pillar	M3*14*0.5PH	
397	MG00269	screw	M3*6	
398	HK00602	PC board	P-DPA2500-PWR-SMD	
399	HB01072	PCB	DPA-PWR_VER030916	
400	CI00075	SMD ceramic capacitor 0603	0.1uF/50V Y5V +80,-20%	C7,C12,C13,C14,C15
401	CI00051	SMD ceramic capacitor 0603	22PF/50V NPO ±5%	C2,C4,C5,C6
402	RD00101	SMD fixed resistor 1/10W	10K ±5% 0603	R1,R3,R6,R8,R10,R11
403	RD00081	SMD fixed resistor 1/10W	750 ±5% 0603	R2,R4
404	RD00085	SMD fixed resistor 1/10W	1.5K ±5% 0603	R12,R13,R14,R15,R16,R17, R18,R19,R20,R21,R22,R23, R24,R25,R26,R27,R28,R29
405	RD00059	SMD fixed resistor 1/10W	0.0 ±5% 0603	R30,R9
406	SE00011	SMD rectifier diode	RLS4148 0.5A (LL-34)	D1
407	SF00056	transistor	MMBT3904(SOT-23)/(PHI)	Q2
408	SG00040	SMD integrated circuit	MC33078DT(ST)MC33078D(ON)	U1,U2
409	SE00030	SMD rectifier diode	SFS1B	D2,D3,D4,D5
410	RD00088	SMD fixed resistor 1/10W	2.2K ±5% 0603	R5,R7
411	AE00221	tin soldering paste	SJ-617	
412	AC00002	solder wire	63/37%	
413	HK03846	PC board	P-DPA2500-DISPLAY	
414	HB01071	PCB	DPA-DIS-1(2*2)_VER050120	
415	CH00017	laminated capacitor	0.1uF/50V Y5V PH5	C1
416	CB00026	electrolytic capacitor	10uF/50V 6*7mm	C2
417	RA00647	fixed resistor 1/8W	4.7K M type	R1,R2
418	RA00651	fixed resistor 1/8W	10K M type	R3,R4,R5,R6,R7,R8

No.	Part No.	Descriptions	Specification	Remark
419	HB01070	PCB	DPA-DIS-2_VER030916	
420	HH00005	seven paragraph monitor	LSD3561-10	DL2,DL3
421	HC00435	row pin (single)#1100	2.54 180° 5P6/11.6mm	CN3,CN4
422	SA00051	L.E.D	3 orange, green BOG303b	DL11
423	SA00072	L.E.D	3 red LI2340/A	DL1,DL4,DL5,DL6,DL7,DL8, DL9,DL10
424	SB00072	transistor	BC559C,126	TR1,TR2
425	HI00238	push-button switch	2 stage 6P PS-9226A(NON-LOCK)	SW1,SW2,SW3,SW4
426	HC00050	row-wire header	14PIN A28b-14B.T.6	CN1
427	HC00051	row-wire header	20PIN A28b-20B.T.6	CN2
428	HA01919	jumper wire	5mm	J1,J2,J3,J6,J9
429	HA02249	wire	0.6	
430	HA01917	jumper wire	3mm	J4,J8,J10
431	HA01920	jumper wire	6mm	J5,J7,J3
432	HA02249	wire	0.6	
433	NI01771	LED spacer support	LEDS-5 5mm	DL1,DL10,DL11,DL4,DL5, DL6,DL7,DL8,DL9
434	MG00269	screw	M3*6	
435	NI01876	LED spacer support	7.6*4.5*184	
436	AC00002	solder wire	63/37%	
437	HK03847	PC board	P-DPA2500-RS-DIP	
438	HK00603	PC board	P-DPA2500-RS-SMD	
439	HB01073	PCB	DPA-RS_VER031103	
440	CI00075	SMD ceramic capacitor 0603	0.1uF/50V Y5V +80,-20%	C1,C2,C4,C5,C6,C7,C8
441	RD00372	SMD precise resistor 1/8W	10.7 ±1% 0805	R3,R4
442	SG00047	SMD integrated circuit	MAX485EESA	IC1
443	CO00006	SMD chip inductance	BLM21A102SPT/(MURATA)	L1,L2,L3,L4,L5
444	AE00221	tin soldering paste	SJ-617	
445	HC00324	terminal	6.5m/m (PC250)	
446	CB00040	electrolytic capacitor	47uF/25V 5*11mm	C3
447	SA00101	zener diode	1W 6.8V 1N4736	D1,D2
448	SA00104	zener diode	1W 10V 1N4740	D3,D4
449	SD00019	integrated circuit	MAX202ECPE	IC2
450	HA02503	wire	9P-10P 50mm UL2651 28AWG PH1.27mm	CN1
451	HC00048	row-wire header	8PIN A28b-8B.T.6	CN2
452	HC00111	balance MIC jack	99M-108SP1	S1
453	HC00112	balance MIC jack	99M-107SP-1-2 90° PUSH	S2
454	AC00002	solder wire	63/37%	
455	HK03830	PC board	P-313089-4-DIP	
456	CB00048	electrolytic capacitor	100uF/25V 6*11mm	C2
457	CB00069	electrolytic capacitor	1000uF/6.3V 8*11mm	C4
458	RA00515	precise resistor 1/4W	10.0K M type	R12,R13
459	HC00080	row-wire header	6P 2.5mm 180°	
460	HC00047	row-wire header	6PIN A28b-6B.T.6	CN4

No.	Part No.	Descriptions	Specification	Remark
461	HC00048	row-wire header	8PIN A28b-8B.T.6	CN1
462	HC00050	row-wire header	14PIN A28b-14B.T.6	CN6
463	HC00051	row-wire header	20PIN A28b-20B.T.6	CN5
464	SC00319	crystal oscillator	12.288MHZ	XT1
465	HC00162	row pin (single)#6100	1.27 180°14P(gold-plated) 6.0/11.54mm	CN2,CN7
466	ND00098	EV bubble sponge	40*14*5	
467	HK03831	PC board	P-313089-4-SMD	
468	HB00400	PCB	313089 (90*77.5)_VER020507	
469	CI00046	SMD ceramic capacitor 1206	1uF/16V Y5V-1206(3216)	C28
470	CI00049	SMD ceramic capacitor 0603	15PF/50V NPO ±5%	C12,C14
471	CI00051	SMD ceramic capacitor 0603	22PF/50V NPO ±5%	C29
472	CI00075	SMD ceramic capacitor 0603	0.1uF/50V Y5V +80,-20%	C1,C10,C11,C13,C15,C17, C16,C18,C19,C20,C21,C22, C23,C24,C25,C27,C3,C30, C31,C32,C33,C34,C35,C6, C7,C8,C9
473	CL00006	SMD tantalum capacitor	10uF/16V case B2	C26,C5
474	RD00068	SMD fixed resistor 1/10W	100 ±5% 0603	R14,R15,R2,R27,R29,R30, R32,R39,R40,R6,R7,R8
475	RD00073	SMD fixed resistor 1/10W	220 ±5% 0603	R19,R20,R22,R35,R36,R37, R38,R5
476	RD00076	SMD fixed resistor 1/10W	330 ±5% 0603	R28
477	RD00079	SMD fixed resistor 1/10W	560 ±5% 0603	R25
478	RD00082	SMD fixed resistor 1/10W	820 ±5% 0603	R16,R17
479	RD00085	SMD fixed resistor 1/10W	1.5K ±5% 0603	R18
480	RD00086	SMD fixed resistor 1/10W	1.8K ±5% 0603	R21
481	RD00093	SMD fixed resistor 1/10W	4.7K ±5% 0603	R3,R33,R34
482	RD00101	SMD fixed resistor 1/10W	10K ±5% 0603	R11,R24,R26,R9
483	RD00125	SMD fixed resistor 1/10W	1.0M ±5% 0603	R23
484	RE00006	SMD resistor networks 1/16W	100 *4 ±5% 8P 0603	AR1,AR10,AR13,AR14,AR16, AR18,AR2,AR3,AR4,AR5, AR8
485	RE00008	SMD resistor networks 1/16W	4.7K *4 ±5% 8P 0603	AR11,AR15,AR17,AR6,AR7
486	RE00007	SMD resistor networks 1/16W	470 *4 ±5% 8P 0603	AR9
487	SE00011	SMD rectifier diode	RLS4148 0.5A (LL-34)	D1
488	SG00068	SMD integrated circuit	74HC14DT(SO-14)/(PHI)	IC5
489	SG00049	SMD integrated circuit	AS4C256K16F0-60JC	IC1
490	SG00025	SMD integrated circuit	24LC64I/SN	IC6
491	SG00184	SMD integrated circuit	EN29F040A-70JC/DPA	IC3
492	SG00217	SMD integrated circuit	EN29F040A-70JC(PL032)/(E-ON)	
493	SG00335	SMD integrated circuit	TY-1 ALTO(LEM NO#105008)_V1.1	IC2
494	SG00128	SMD integrated circuit	RED 208(LEM NO#105008)	
495	SG00069	SMD integrated circuit	MAX709L-CSA	IC4
496	CO00006	SMD chip inductance	BLM21A102SPT/(MURATA)	L1,L2,L3,L4,L5,L6
497	HC00233	IC socket (PCB)	PLCC32 (D03-32T.A.4)	IC3
498	AE00221	tin soldering paste	SJ-617	
499	HK01289	PC board	P-313111-SMD	
500	HB00401	PCB	313111 (37*75)_VER020507	

No.	Part No.	Descriptions	Specification	Remark
501	CI00064	SMD ceramic capacitor 0603	680PF/50V NPO $\pm 5\%$	C32,C33,C43,C45
502	CI00067	SMD ceramic capacitor 0603	0.0022uF/50V X7R $\pm 10\%$	C31,C46
503	CI00071	SMD ceramic capacitor 0603	0.01uF/50V X7R $\pm 10\%$	C15,C19
504	CI00075	SMD ceramic capacitor 0603	0.1uF/50V Y5V +80,-20%	C18,C25,C3,C34,C35,C36, C37,C38,C39,C4,C41,C42, C7,C8,C9
505	CL00006	SMD tantalum capacitor	10uF/16V case B2	C1,C10,C11,C12,C13,C14, C16,C17,C2,C20,C21,C22, C23,C24,C26,C27,C28,C29, C30,C40,C44,C5,C6
506	RD00063	SMD fixed resistor 1/10W	22 $\pm 5\%$ 0603	R10,R3,R7,R9
507	RD00088	SMD fixed resistor 1/10W	2.2K $\pm 5\%$ 0603	R12,R17,R18,R19,R21,R23, R24,R27
508	RD00091	SMD fixed resistor 1/10W	3.3K $\pm 5\%$ 0603	R16,R20,R22,R28
509	RD00093	SMD fixed resistor 1/10W	4.7K $\pm 5\%$ 0603	R1,R13,R4,R6
510	RD00101	SMD fixed resistor 1/10W	10K $\pm 5\%$ 0603	R25,R26
511	SG00054	SMD integrated circuit	AK4393VF AKM	IC2
512	SG00061	SMD integrated circuit	AK5383VS AKM	IC1
513	SG00040	SMD integrated circuit	MC33078DT(ST)MC33078D(ON)	IC3,IC4,IC5,IC6
514	AE00221	tin soldering paste	SJ-617	
515	AC00002	solder wire	63/37%	
516	HC00295	terminal	JS205-110	
517	MF00020	washer	5* 12*1t	
518	MF00039	washer	5* 8*1t	
519	HA01661	header wiring FL-0464A	20P-20P PH1.27 65	
520	HA01660	header wiring FL-0464A	14P-14P PH1.27mm 65mm	
521	HA01659	header wiring FL-0464A	8P-8P PH1.27 75	
522	HA01658	header wiring FL-0464A	6P-6P PH1.27 65	
523	MG00128	screw	M3*16	
524	MI00237	heat-sink	FX22 4*34.5*16.5*34.5mm	
525	MI00409	fixed piece	FX22	
526	NI02245	heat conduction rubber	25*25*0.25 white (3M #9890)	
527	HA02621	computer connect wire	9P(female)-9P(female) UL2464 28AWG 5000m	
528	MG00027	screw	M3*12	
529	NB02938	box	DPA 4000 ALTO_V1.1	
530	NB02086	box	MACRO	
531	NF01663	instruction	DPA2500/4000 ALTO_V1.0	
532	NH00149	paper	889*640mm	
533	MG00588	screw	4.75*11.8mm	
534	NE02717	label	MADE IN CHINA	
535	NH00038	paper	0.115*1M	
536	NI00028	membrane	0.110*1M	