

Service *Manual*

MODEL: ELVIS 15.2XLA

CONTENT

1. Introduction.....	1
2. Specification.....	2
3. Block Diagram.....	3
4. Schematic Diagram.....	5
5. Wiring Diagram.....	8
6. PCB Layout.....	11
7. Exploded View & Mechanical Parts List.....	12
8. BOM.....	15

1. Introduction

ELVIS 15.2XLA wooden cabinet is designed for professional stage performance. This series use high density particle board 18mm material for the body of the cabinet. With the accuracy crossover point makes the sound more clear. It adopt spherical horn in polypropilene reinforced shows excellent tweeter performance. and has wide directional angle 80°H ※ 80°V (1KHZ-16KHZ), with the Power ModII inside. The woofer power is 350 Watt EIAJ at 4 ohm, the tweeter power 65 Watt EIAJ at 4 ohm
All these characters made them very suitable for any place.

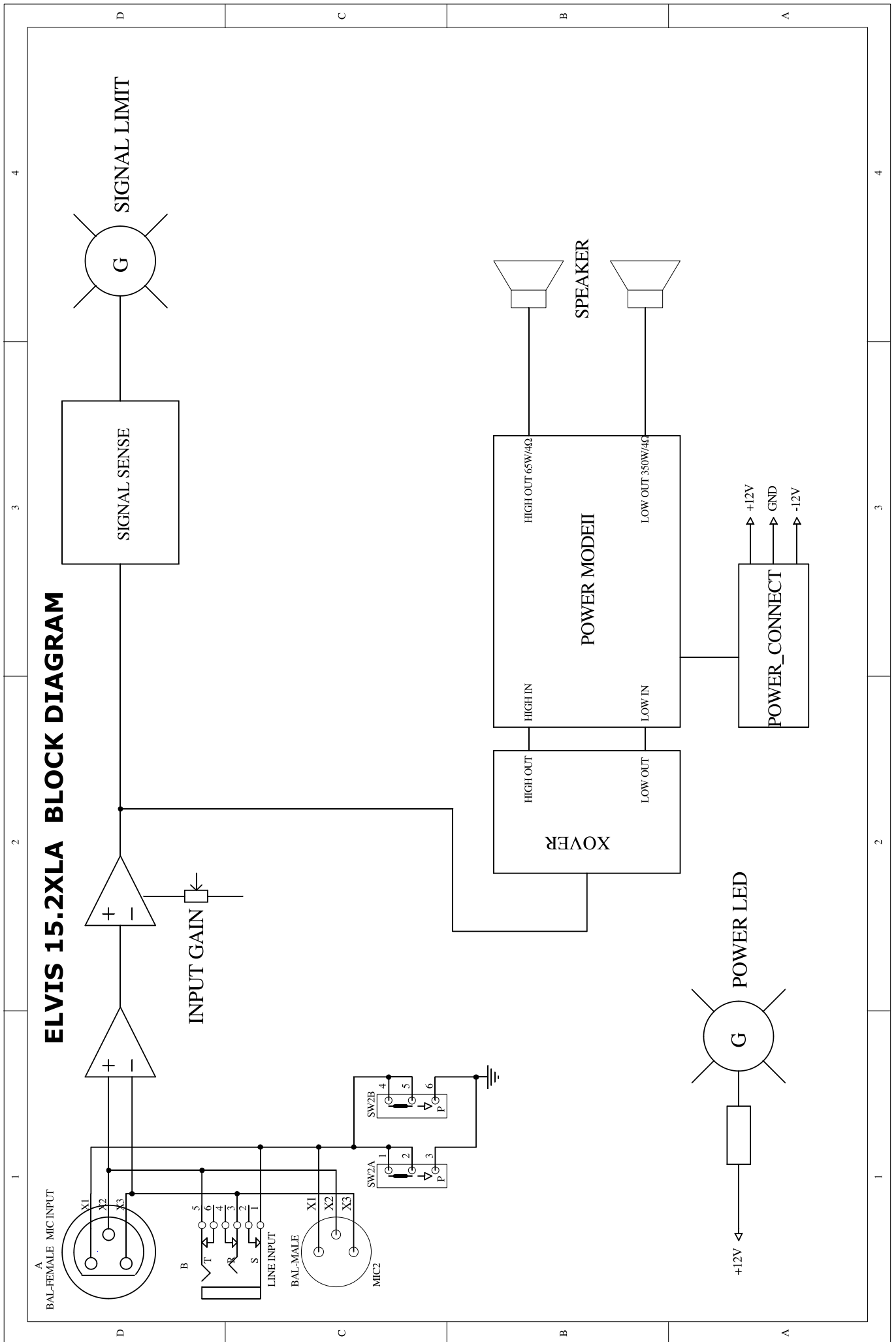
FUNCTIONS:

1. Gain Control: This control adjusts the input gain by a range of -20 dB to +20dB.
2. Clip LED: This LED lights up when the input signal is too strong. It warns that the output signal may cause distortion. Please attenuate the level of the input signal.
3. Power LED: This LED lights up when the unit is powered on.
4. AC Inlet: This jack is used to connect the AC power (100-120V AND 220-240V) supply with the supplied Power Mod II.
5. Output Connector: Low sound(Section A) output and high sound(Section B) output of amplifier with Power Mod II which is used to connect devices such as the effects returns power Speaker inputs.
6. Input Connector: This is a XLR balanced jack with preamplifier.

2. Technical Specification

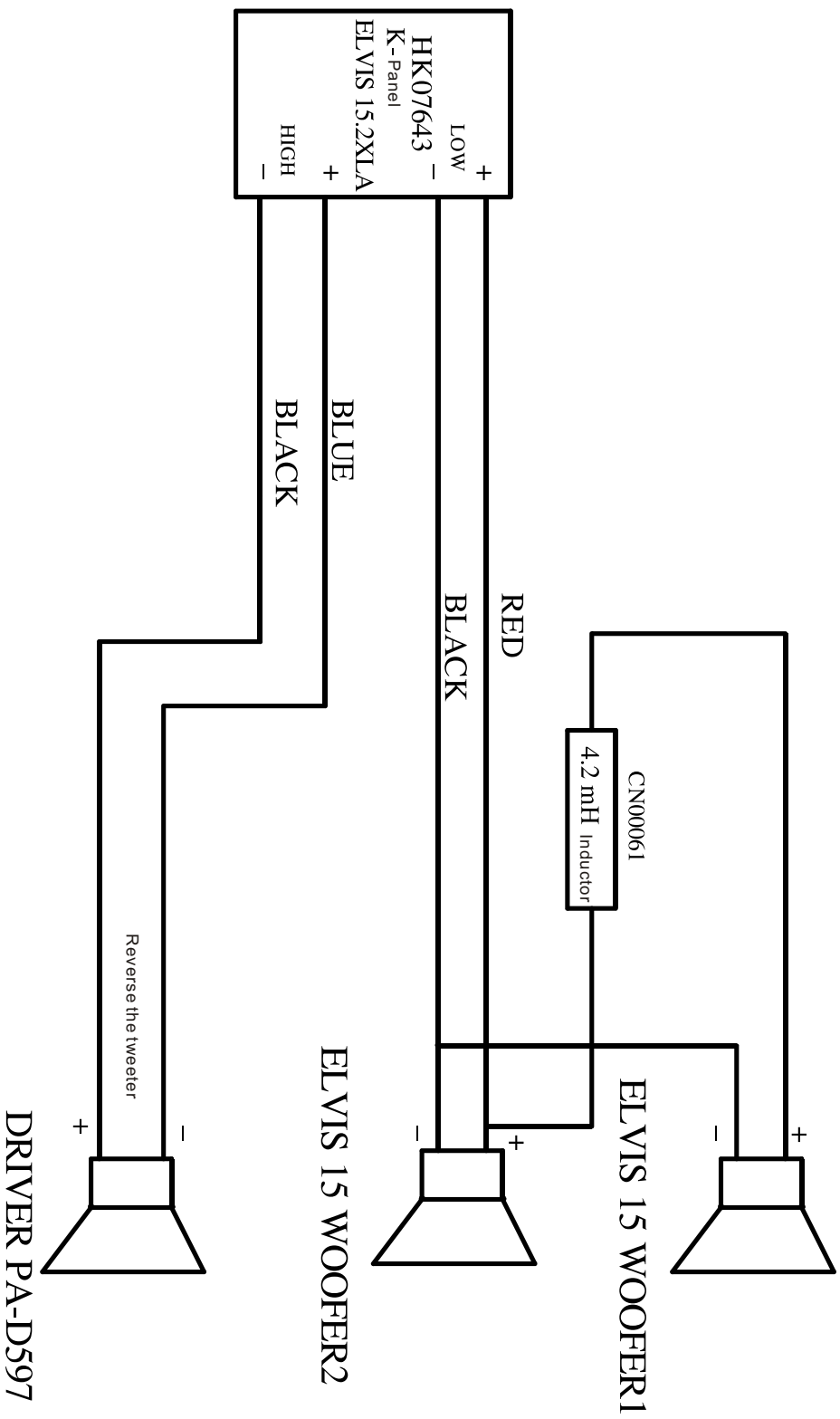
Model No.	ELVIS15.2XLA
Active System Type	2-Way Bi-Amp
Low Output Power	350 Watt EIAJ
High Output Power	65 Watt EIAJ
Max SPL 1mt	122dB SPL Calculated
Frequency Response	55Hz-20kHz at -10dB
Protection Low - High	Analog Limiter
Low Frequency Device	2 x 15" woofer / 2.5" Voice Coil
High Frequency Device	1" Driver / 1" Voice Coil
Coverage (H° x V°)	80° H x 80° V Spherical Wave Guide
Input Sensitivity	Line +4dB
Input Impedance	30k Ω Balanced / 15k Ω Unbalanced
Connectors	Input with Combo / Link with XLR
Enclosure	Trapezoidal Shape / Particle Board/ Plastic Handle / Gray Carpet Finishing
External Control	Line Volume / Clipping LED indicator / Ground Switch
Net Weight (lbs/kg)	1114 x 452 x 449 (mm)
Dimensions (H x W x D)	97.89lbs/44.4kg
Power Section	
Output Power	350 WATT EIAJ (300WATT RMS)
Impedance	4 Ω Load
S/N ratio	>110 dB/A
Distortion	<0.05% (THD, DIM, SMPTE)
Gain	32dB
Bandwidth	10Hz to 50 kHz
Protections	Overload / Short Circuite / Soft Clip Limiter / Thermal Protection Fan Cooling

3. Block Diagram

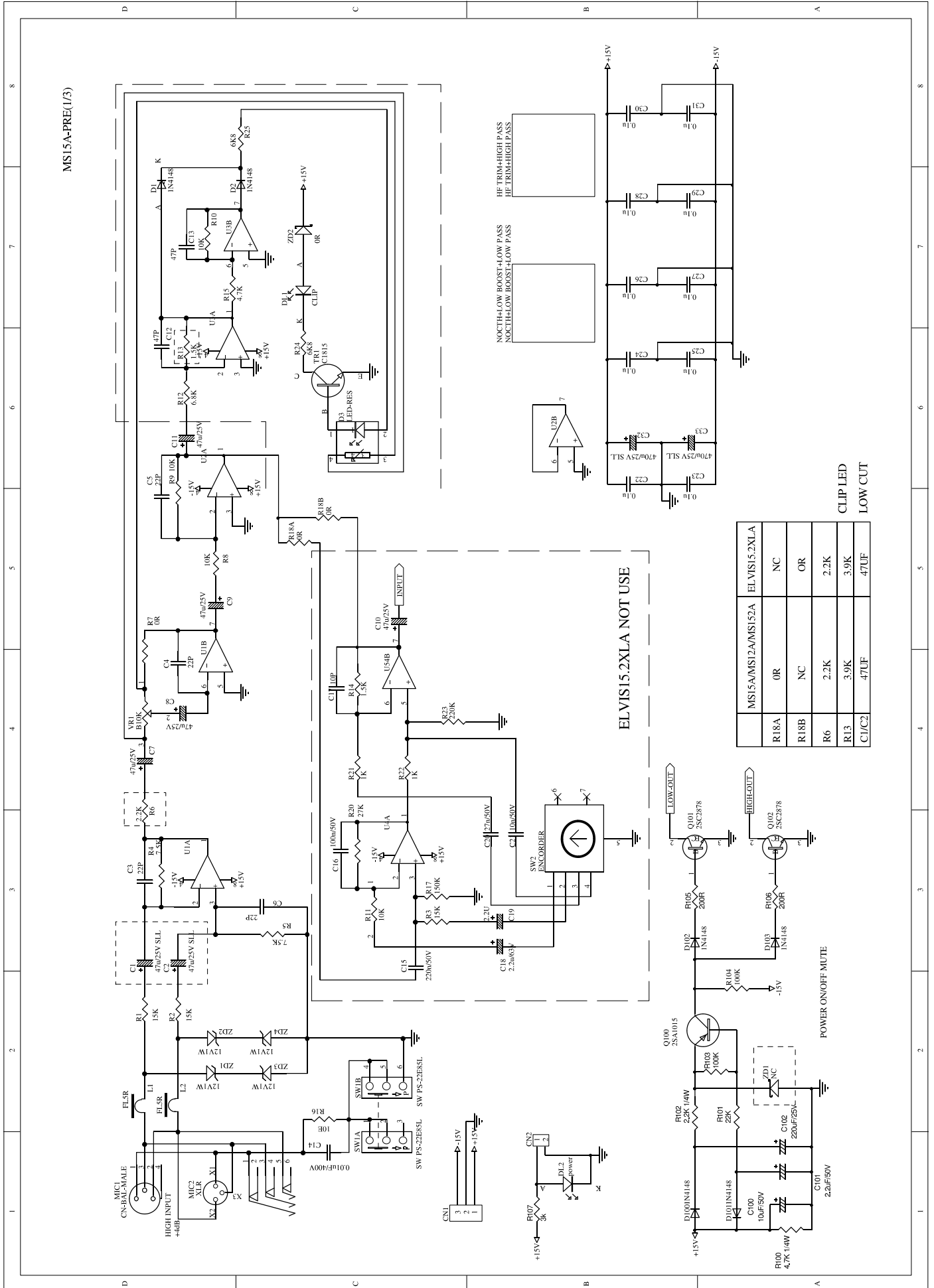


ELVIS 15.2X1A BLOCK DIAGRAM

1/1

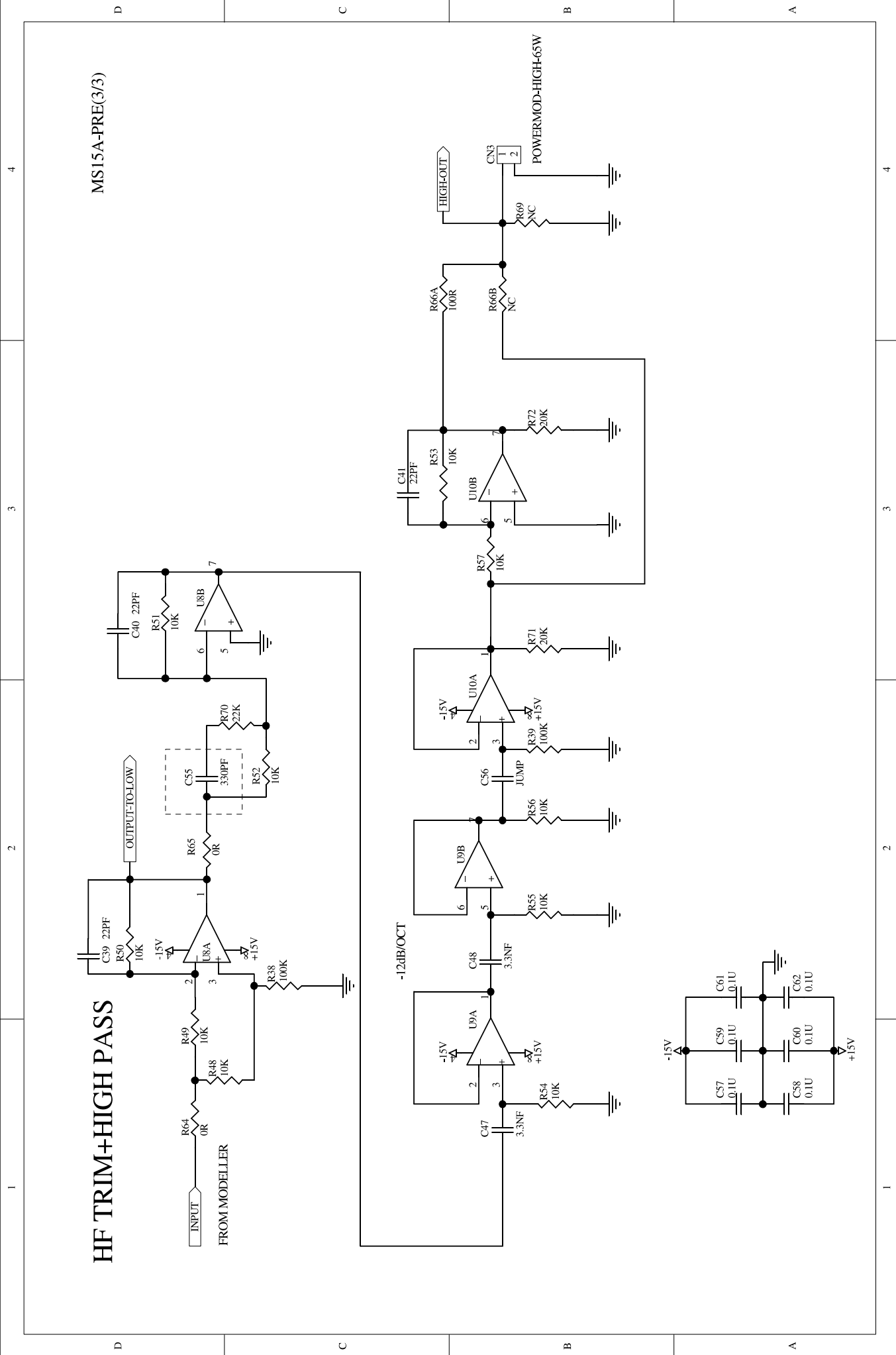


4. Schematic Diagram

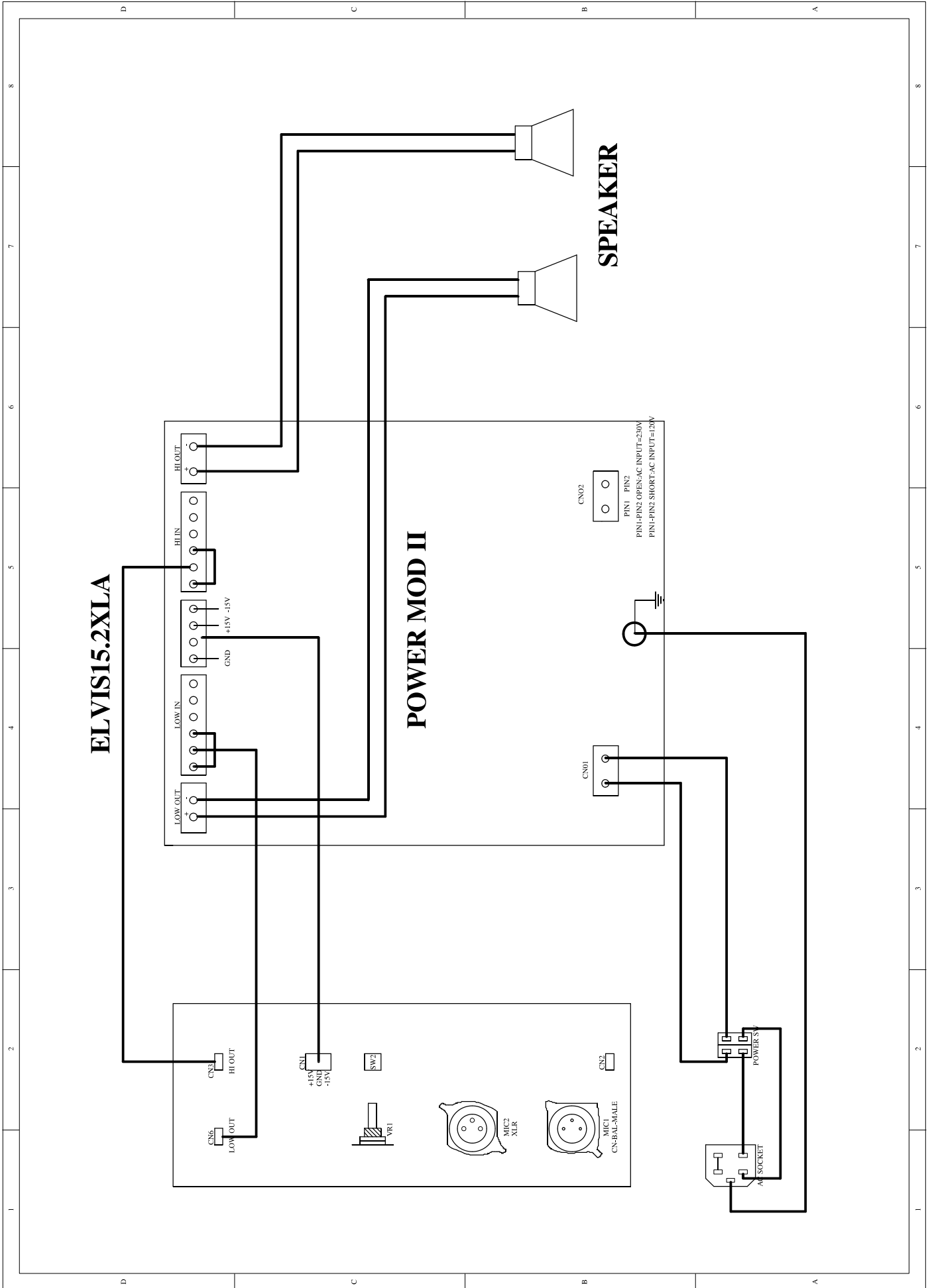


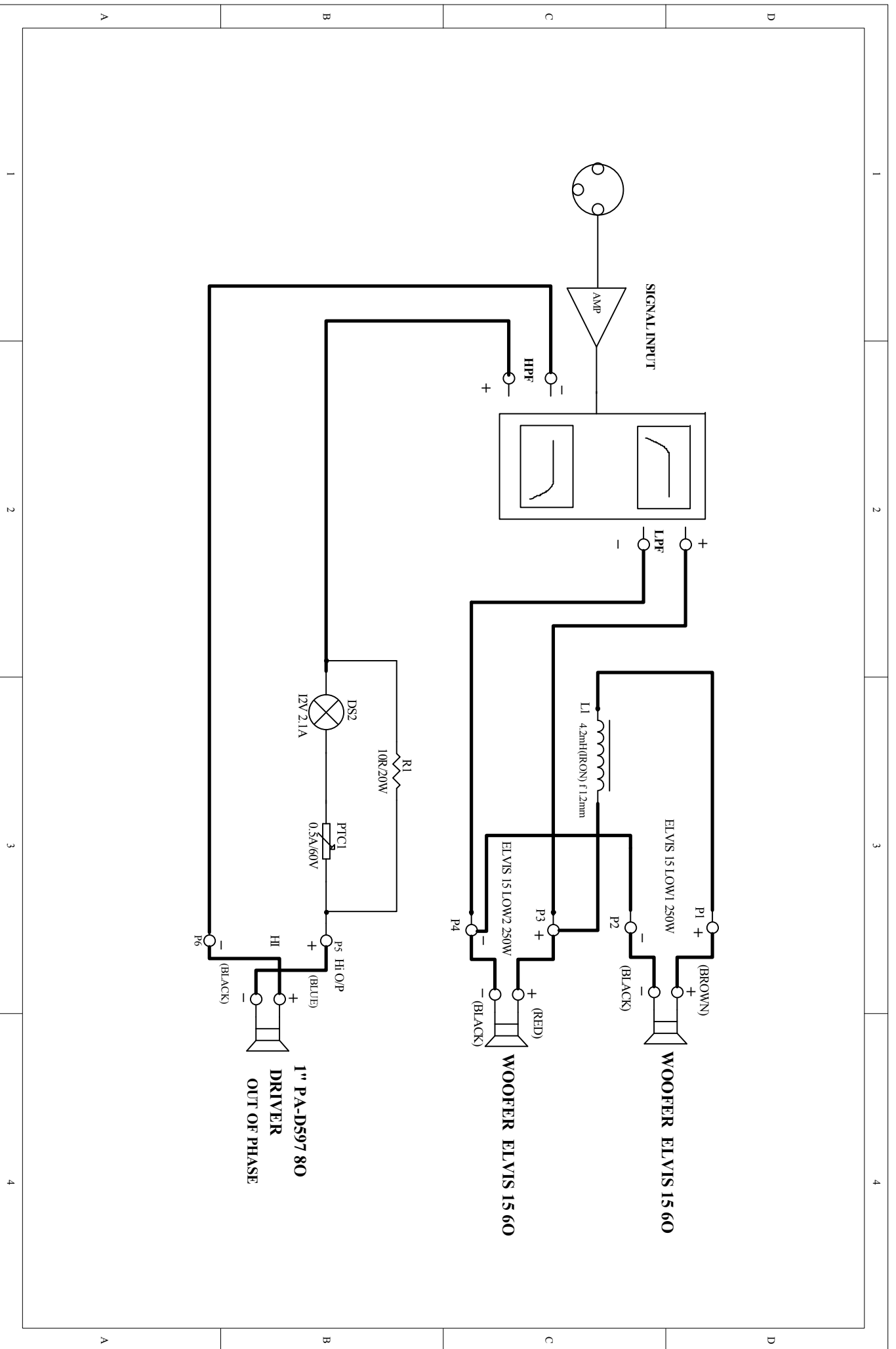
	MS15A/MS12A/MS152A	ELVIS15.2XLA
R18A	OR	NC
R18B	NC	OR
R6	2.2K	2.2K
R13	3.9K	3.9K
C1/C2	47UF	47UF

CLIP LED
LOW CUT



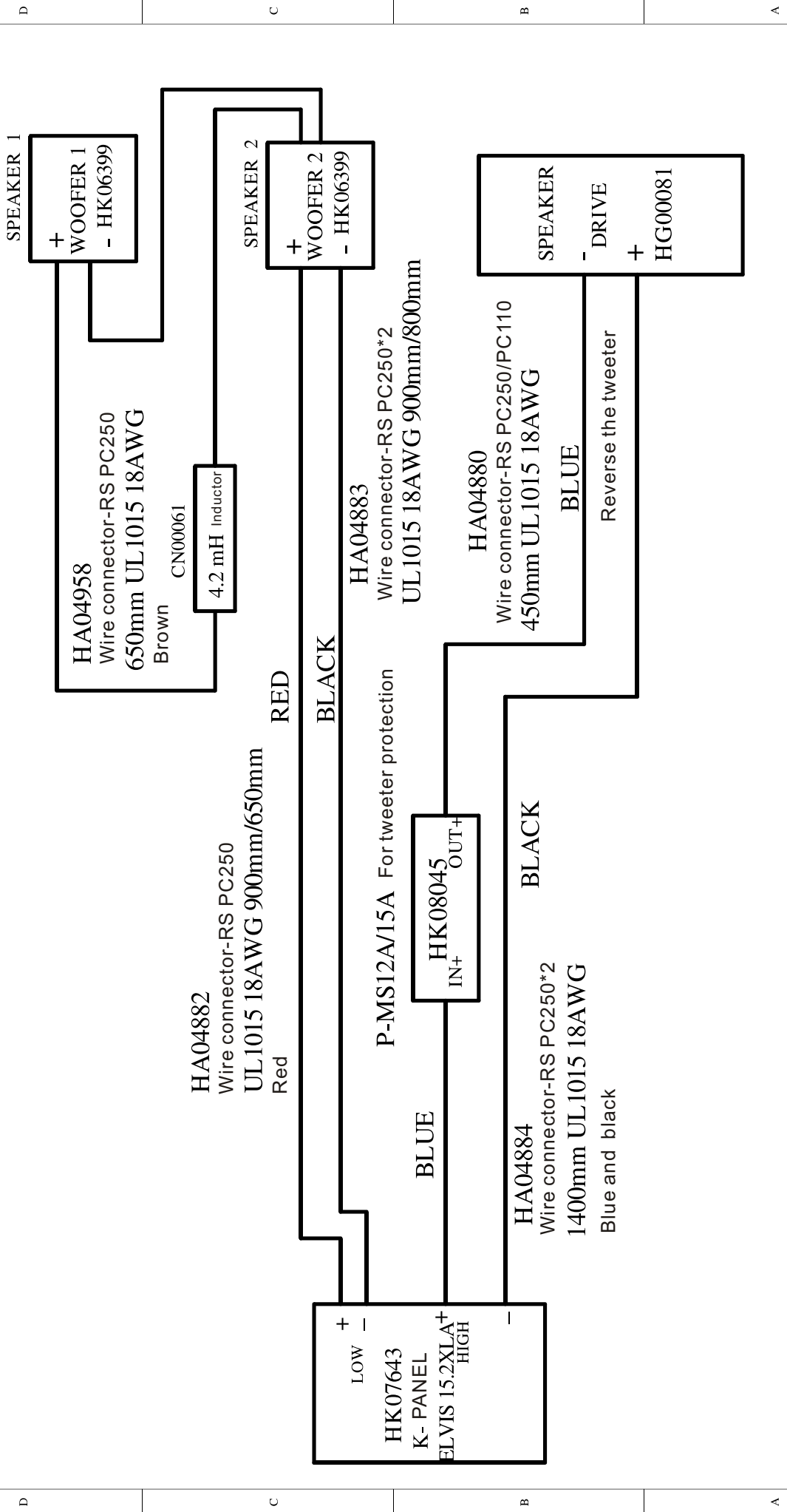
5. Wiring Diagram





ELVIS 15.2XLA

1/1

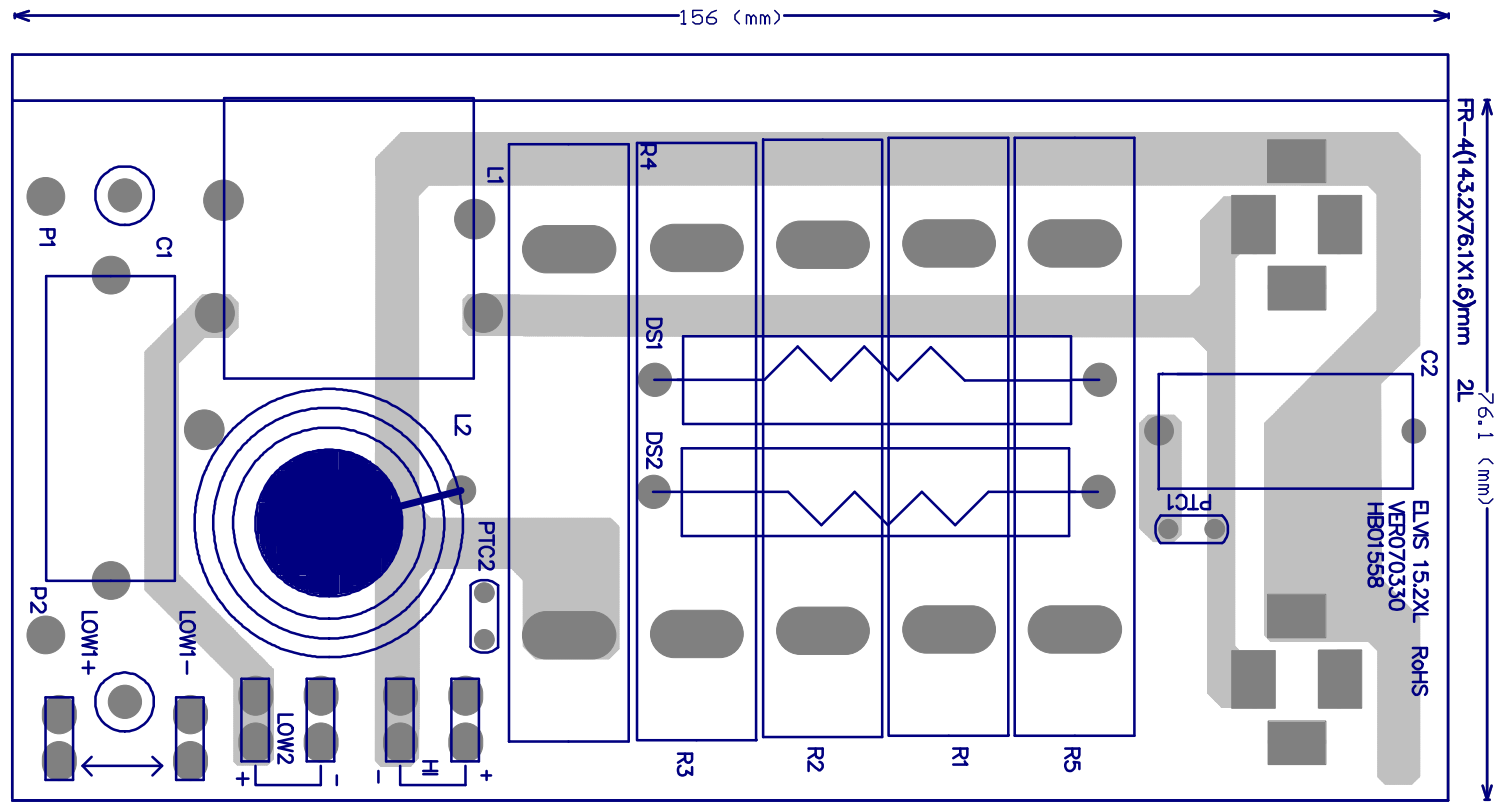
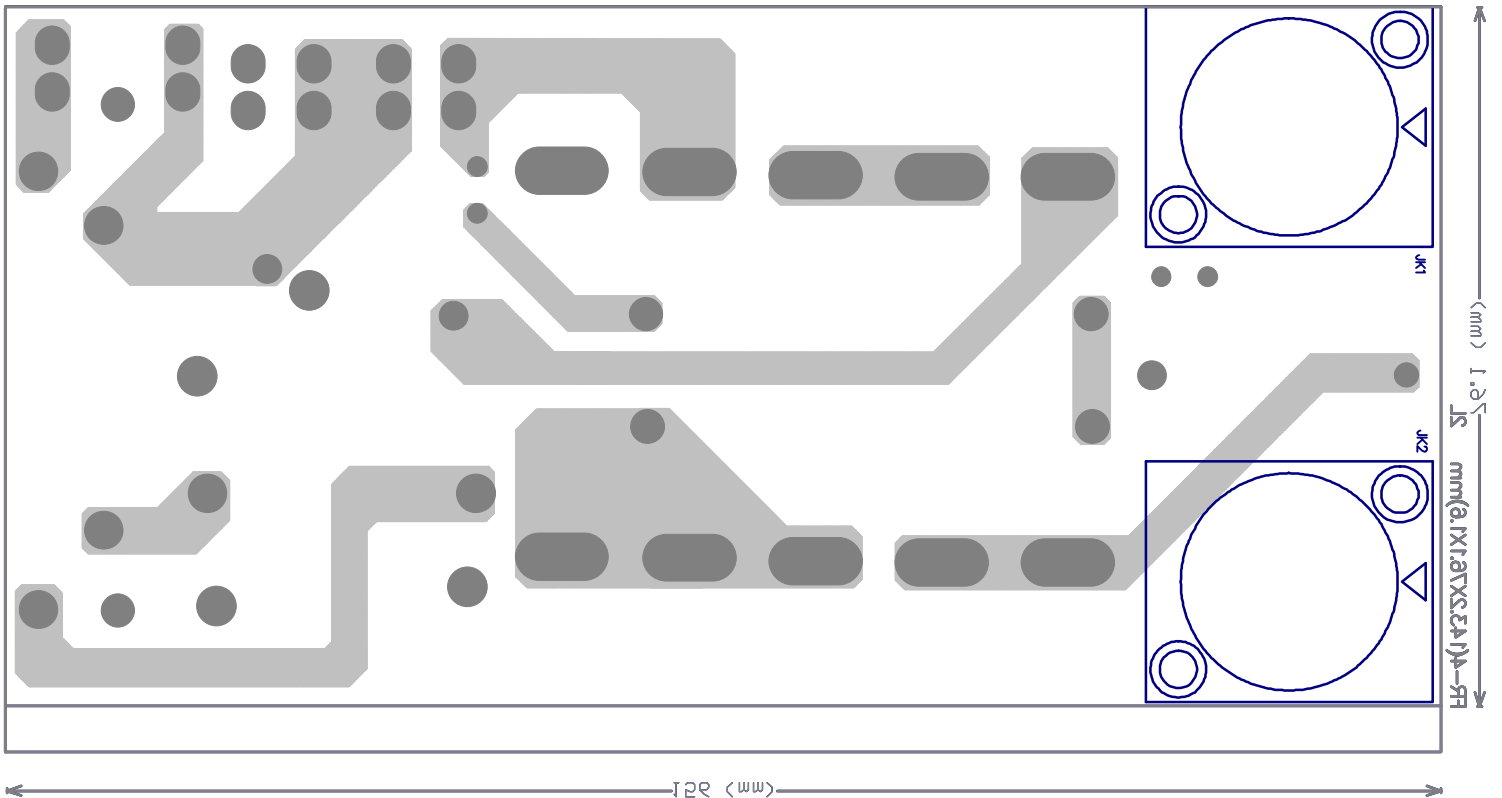


6. PCB Layout

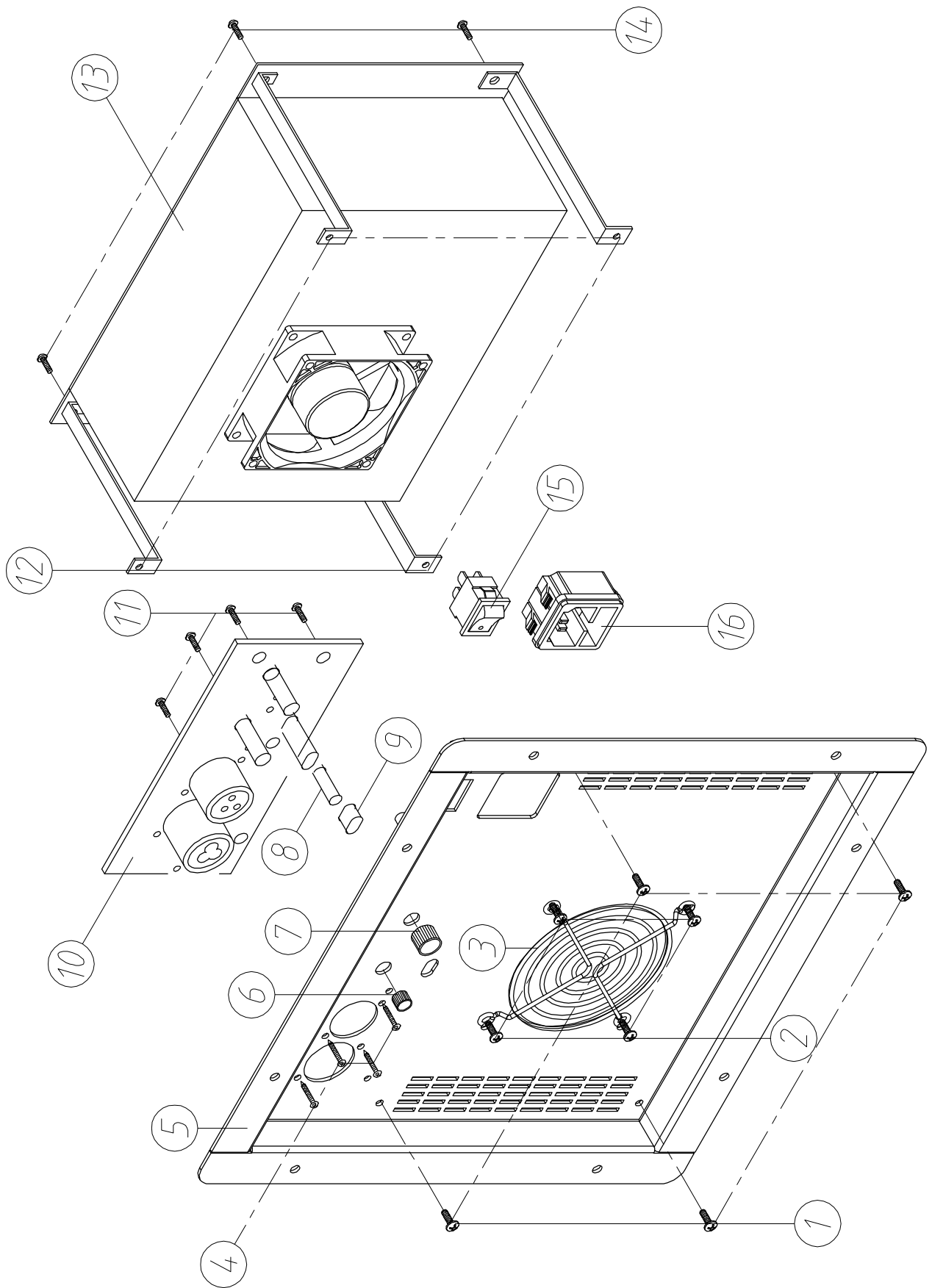
PCB: ELVIS 15.2XL

Bottom Layer

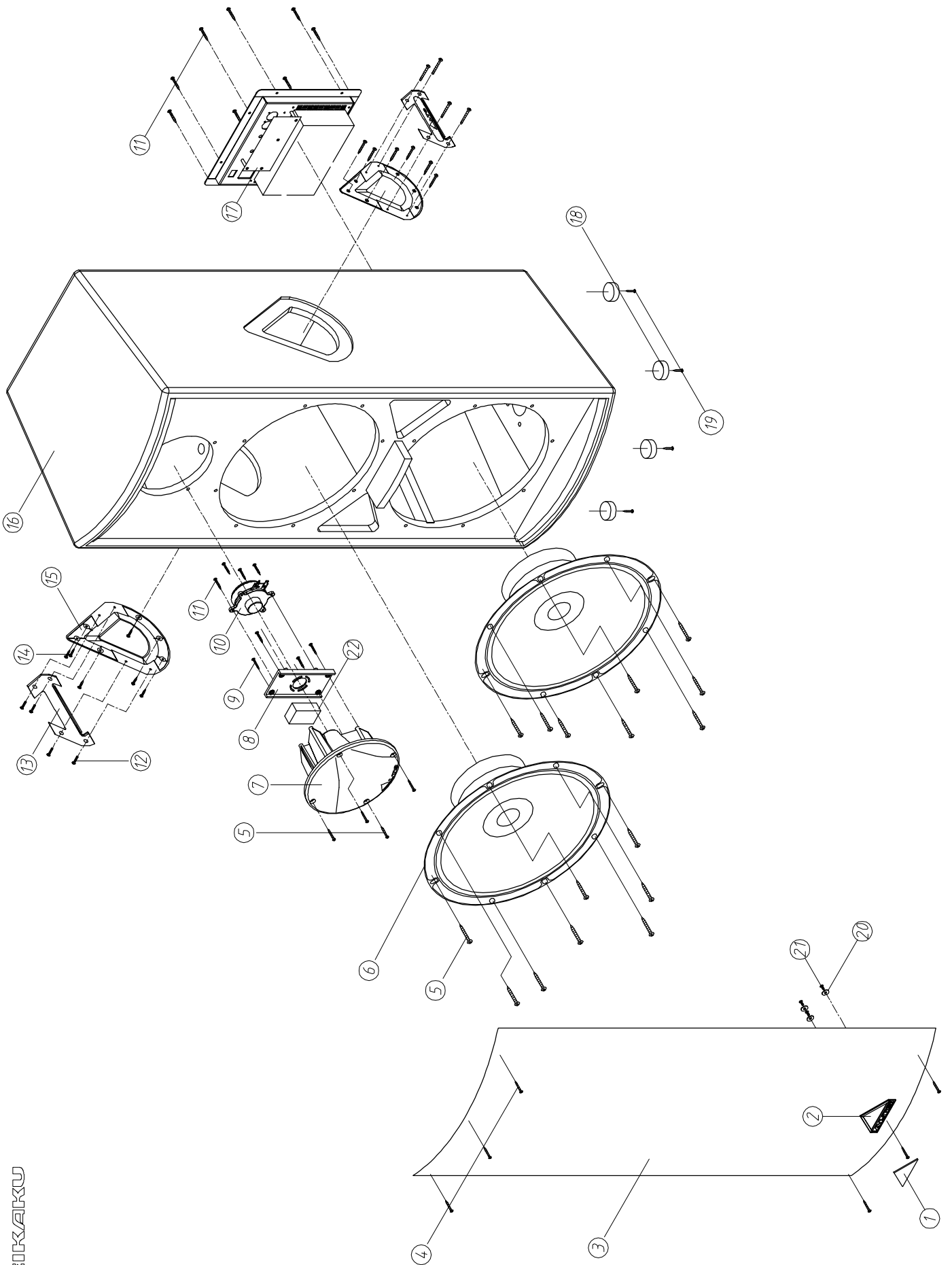
Bottom Solder



7. Exploded View & Mechanical Parts List



SEIKAKU



Parts List

No.	Item No.	Item Description	Specification	PCS
1	NI04221	logo	MS SERIES ALTO_V1.0	1
2	NI04279	ZC-logo	MS SERIES ALTO_V1.0	1
3	MD00670	ZB-grille	ELVIS 15.2XL_V1.2	1
4	MG00349	black-plated screw- T headΦ8	M3*16	6
5	NI02242	horn-PP	ELVIS 10;12;15 432C	1
6	MG00350	black-plated screw- T headΦ10	M5*30	20
7	NI02242	horn-PP	ELVIS 10;12;15 432C	1
8	NI02374	connect plate	70*135*10 432C	1
9	MG00352	black-plated screw- pill	M4*25	4
10	HG00081	horn	PA-D597 P-AUDIO 8Ω	1
11	MG00351	black-plated screw- pill	M4*16	12
12	MG00338	black-plated screw- T headΦ8	M4*30mm	8
13	NI02376	handle	85.6*207*7 432C	2
14	MG00536	black-plated screw- pill	M4*20_V1.0	12
15	NI02375	handle cover	ELVIS 10;12;15 432C	2
16	NC01656	cabinet	ELVIS 15.2XLA YB-153# grey carpet cloth_V1.0	1
17	HK07643	K panel	ELVIS 15.2XLA 220-240V	1
18	NI02426	foot curshion	φ37*15.5mm	4
19	MG00360	black-plated screw-flat	M4*25mm	4
20	MF00054	ZE washer	φ4*φ12*1t_V1.0	3
21	MG00612	black-plated screw-P head	M3*4.5	3
22	ND00231	foam	10*50*50mm	1
23	MG00020	black-plated screw-self tapping	M3*8	4
24	MG00503	black-plated screw-pill	M4*12*0.7PH_V1.0	4
25	MD00444	fan protector cover	80*80mm(K-G08A05-4HA)	1
26	MG00061	Trivalence chromium plated black Zn screw	M3*10	4
27	MA06268	front panel	MS15A 220-240V ALTO_V1.0	1
28	NI02386	plastic knob	φ14*13mm double color(cool grey and blue)	1
29	NI01862	button handle	5.5*5.5*14.5_V1.1	1
30	NI01863	button	φ5.5*W10*7.5 black	1
31	HK07493	K-PC board	P-MS 15A-DIP	1
32	MG00041	black-plated screw- pill	M3*6	4
33	MI03863	ZB-fix bracket	MS 12A_V1.0	4
34	HK07531	K-PC board	P-PWRMOD350/65(MS)-DIP	1
35	MG00020	black-plated screw-self tapping	M3*8	4
36	HI00019	power switch	4P MSR-8	1
37	HC00331	AC socket	RF-2004	1

8. BOM

No.	Part No.	Description	Specification	Remark
1	NI02374	fixed board	70*135*10 432C	
2	NI02242	horn	ELVIS 10;12;15 432C	
3	NE11750	label	ALTO PC	
4	NH00334	cone paper	0.040*1m	
5	NE11168	label-RS-ACT	HK 15 ALTO_V1.1	
6	NH00012	bond paper	0.04*1M	
7	NI00014	membrane	0.035*1M	
8	NF00061	assurance card	ALTO	
9	ND00231	sponge-RS	15*50*50mm	
10	NB03843	carton-RS	ELVIS 15.2XL/ 15.2XLA ALTO_V1.2	
11	NA00405	silk wadding-RS	ELVIS 15.2XL V1.0	
12	NA00279	clip-chain bag	0.04t*100*150mm V1.0	
13	NA00122	PE bag	0.04t*350*230mm	
14	NA00252	PE bag-RS-ACT	0.03t*1800*1150mm 12	
15	HK07643	faceplate-RS	ELVIS 15.2XLA 220-240V	
16	MA06272	panel-RS	ELVIS 15. 2XLA 220-240V ALTO_V1.1	
17	MA06252	panel-RS	MS 15A	
18	AE00055	solvent	solvent	
19	AE00060	paint-RS	4534	
20	MA06256	panel-RS	ELVIS 15.2XLA 268*253*19.5mm V1.1	
21	ME00088	iron pillar	6.35*M3*25.5	
22	MJ00088	single light board	1.5*2135*1220 30.67kg	
23	MI03863	fixed bracket-RS	MS 12A_V1.0	
24	AE00055	solvent	solvent	
25	AE00056	paint-RS	2745	
26	MI03873	fixed bracket-RS	MS 12A 73.5*8mm_V1.0	
27	MJ00088	single light board	1.5*2135*1220 30.67kg	
28	HC00331	AC socket	RF-2004	
29	HI00019	power switch	4P MSR-8	
30	MG00041	screw	M3*6	
31	MG00061	screw-RS	M3*10	
32	MG00020	screw	M3*8	
33	MG00503	screw-RS	M4*12*0.7PH_V1.0	
34	ME00016	color nut	4m/m	
35	MD00444	protective cover	80*80mm(K-G08A05-4HA)	
36	NI02386	konb	φ14*13mm	VR1
37	NI01863	key-RS	φ5.5*W10*7.5	
38	NI01862	key	5.5*5.5*14.5_V1.1	
39	MF00038	washer	φ4*φ7*1t	
40	HA01325	wrie-RS	140 green/yellow	
41	HA03720	signle terminal wiring	240mm UL1015 18AWG red	
42	HA03938	wire-RS	70mm UL1015 14AWG black	
43	HA04850	wire-RS	2P 300mm UL1185 26AWG	
44	HA04851	wire-RS	2P 300mm UL1185 26AWG	
45	HA04872	wire-RS	3P 210mm UL1007 24AWG	
46	HA00048	wire	50mm black L3R3	
47	NI00218	cable tie	ALT-102SB	
48	HC00876	terminal block-RS	7ESDP-02P	
49	HC00875	terminal block-RS	5ESDP-05P	
50	HC00874	terminal block-RS	5ESDP-04P	
51	HK07514	PC board	P-MS 15.2XLA-DIP	
52	RA00159	fixed resistor 1/4W	10Ω Mr type	R16
53	RA00231	fixed resistor 1/4W	4.7KΩ M type	R100
54	CF00148	metal-film capacitor	0.0033uF/100V 5% CASE01	C44,C45,C46,C47,C48
55	CA00009	ceramic capacitor	22PF/50V NPO	C3,C4,C5,C6,C36,C37,C39,C40,C41
56	CA00016	ceramic capacitor	47PF NPO	C12,C13
57	CA00090	ceramic capacitor	330PF Y5E	C55
58	CF00014	metal-film capacitor MEC	0.01uF/400V 10%	C14
59	CF00019	metal-film capacitor MSC	0.015uF/100V 5% CASE01	C34,C35
60	SA00105	zener diode	1W 12V 1N4742	ZD1,ZD2,ZD3,ZD4
61	SB00034	transistor	2SC1815GR(SC43)/(TOSHIBA)	TR1
62	SB00033	transistor-RS-ACT	2SA1015-GR(SC43)/(TOSHIBA)	Q100
63	SB00096	transistor-RS-ACT	2SC2878A(SC43)/(TOSHIBA)	Q101,Q102
64	RA00158	fixed resistor 1/4W	0.0Ω M type	ZD5

No.	Part No.	Description	Specification	Remark
65	HA01919	jumper	5mm	C56
66	HA02249	wire	φ0.6 Sn-plated	
67	CG00018	filter-EMI FILTER	LF-22UH(WAH TAYI)	L1,L2
68	CB00194	electrolytic capacitor	47uF/25V φ5*11mm	C1,C2,C7,C8,C9,C10,C11
69	CB00065	electrolytic capacitor	470uF/25V φ10*16mm	C32,C33
70	CB00025	electrolytic capacitor	10uF/50V φ6*7mm	C100
71	CB00056	electrolytic capacitor	220uF/25V φ8*11mm	C102
72	SB00014	Photodiode-RS-ACT	VTL5C4	D3
73	SA00053	L.E.D	φ3 round(red)long foot 26mm	DL1
74	SA00052	L.E.D	φ3 round(green)long foot 26	DL2
75	RC00213	potentiometer	B10KΩ 35 R0911NOB-V1B103FN00-00	VR1
76	NI02532	LED spacer support	LEDS-22 22mm	DL1,DL2
77	HI00162	push-button switch	2 paragraphs 6p PS-22E8552L	SW2
78	HC00392	balance MIC jack-RS	JY-5030-030G 180°	MIC2
79	HC00076	connector(male)	2P 2.5mm 180°	CN2,CN3,CN6
80	HC00077	connector(male)	3P 2.5mm 180°	CN1
81	HA00049	wire-RS	54mm black L3R3	
82	HK07515	PC board	P-MS 15.2XLA-SMD	
83	RD00023	SMD fixed resistor 1/8W	2.2KΩ ±5% 0805	R6
84	RD00002	SMD fixed resistor 1/8W	0.0Ω ±5% 0805	R19,R63,R64,R65,R7
85	RD00006	SMD fixed resistor 1/8W	100Ω ±5% 0805	R62,R66A
86	RD00049	SMD fixed resistor 1/8W	100KΩ ±5% 0805	R31,R32,R36,R37,R38,R39, R103,R104
87	RD00032	SMD fixed resistor 1/8W	10KΩ ±5% 0805	R8,R9,R10,R40,R41,R42,R43, R44,R33B,R46,R47,R48,R49, R50,R51,R52,R53,R54,R55, R56,R57
88	RD00227	SMD precise resistor 1/8W	200Ω ±1% 0805	R105,R106
89	RD00034	SMD fixed resistor 1/8W	15KΩ ±5% 0805	R1,R2
90	RD00037	SMD fixed resistor 1/8W	20KΩ ±5% 0805	3
91	RD00038	SMD fixed resistor 1/8W	22KΩ ±5% 0805	R70,R101
92	RD00022	SMD fixed resistor 1/8W	2.0KΩ ±5% 0805	R26,R28
93	RD00024	SMD fixed resistor 1/8W	3KΩ ±5% 0805	R107
94	RD00027	SMD fixed resistor 1/8W	4.7KΩ ±5% 0805	R15
95	RD00030	SMD fixed resistor 1/8W	6.8KΩ ±5% 0805	R12,R24,R25
96	RD00031	SMD fixed resistor 1/8W	7.5KΩ ±5% 0805	R4,R5,R58
97	CI00029	SMD ceramic capacitor 0805	0.1uF/50V Y5V	C57,C58,C59,C60,C61,C62, C49,C50,C51,C52,C53,C54, C22,C23,C24,C25,C26,C27, C28,C29
98	SE00011	SMD rectifier diode	RLS4148 0.5A (LL-34)	D1,D2,D100,D101,D102,D103
99	AE00449	solder material without lead	9308/Sn Ag Cu	
100	RD00537	SMD precise resistor 1/8W	2.40KΩ ±1% 0805	R27
101	RD00026	SMD fixed resistor 1/8W	3.9KΩ ±5% 0805	R13
102	SG00558	integrated circuit-RS	UTC4580M(4580M)(SOP8)/(YW)	U1,U2,U3,U5,U6,U7,U8,U9,U10
103	HB02150	PCB-RS	MS15A VER060531	
104	AC00179	tin without lead-RS	M705E Sn 3Ag-0.5Cu	
105	CB00239	electrolytic capacitor	2.2uF/50V φ5*11mm	C101
106	HC00836	balance MIC jack-RS	CXLF-07/(BELTON) NO PUSH	MIC1
107	RA00701	fixed resistor 1/4W	2.2KΩ M type	R102
108	HK07531	PC board	P-PWRMOD350/65(MS)-DIP	
109	RA00031	metal-oxide-film resistor 2W	10Ω P type	R111,R112,R110
110	RA00298	fixed resistor 1/4W	330KΩ F type	R122,R121
111	SD00035	integrated circuit	LM3886TF(TF11B)/(NS)	U7
112	SB00055	transistor-RS-ACT	IRFP240 (TO-247AC)/(IR)	Q15,Q14
113	SB00090	transistor-RS-ACT	IRFP9240(TO-220AB)/(IR)	Q11,Q12
114	SA00113	zener diode	1/2W 2.4V 2C2	D40
115	HC00134	connector	2.54 180° 2P(gold-plated) 6/11.6mm	J2,J1,J4,J3
116	HD00071	ceramic tube fuse	3.15A 250V φ5.2*20mm CSA/S/T/UL/VDE	F3A,F2A
117	HC00246	connector(male)	26P 2.54mm 180°	CN13
118	HC00276	connector(male)	3P 2.54mm 180°	CN4,CN10
119	HC00034	short circuit connector	NO.2700 2.54mm/6mm OPEN	JR1,JR2,JR4,JR3
120	HC00063	FUSE holder	JEF-501 (5.2mm)	F3_PZ1,F3_PZ2,F2_PZ2,F2_PZ1
121	CF00012	metal-film capacitor MSC	0.0068uF/100V 5% CASE01	C10

No.	Part No.	Description	Specification	Remark
122	CB00127	electrolytic capacitor	47uF/63V ϕ 6*11mm	C42
123	CB00188	electrolytic capacitor	10uF/63V ϕ 5*11mm 2.5mm	C16
124	HA01919	jump	5mm	TH1
125	HA02249	wire	ϕ 0.6 Sn-plated	
126	NI03761	wire sleeve	5.3*10000mm	
127	HA01925	jump	10mm	R103
128	HA02249	wire	ϕ 0.6 Sn-plated	
129	CB00038	electrolytic capacitor	47uF/16V ϕ 5*7mm	C33,C47,C31,C17,C23,C22,C34,C32
130	MB04575	chassis	DigiMod 3.0t*51*122*216(ME000155)_V1.1	MEC1
131	MB04577	chassis	DigiMod	
132	MB04654	chassis	DigiMod 3.0t*51*122*216(ME000155)_V1.1	
133	MJ00057	AL plate-RS	3.0t*2000*1000mm 16.32kg	
134	ME00220	iron pillar	M4*8*0.7PH V1.0	
135	ME00221	iron pillar	M3*4*0.8PH V1.0	
136	MC00802	top cover	PowerMod 0.8t*116*179.2 ME000093 V1.0	MEC2
137	MJ01324	hot gradual zinc	0.8t*2135*1220 16.35kg_V1.0	
138	MK00115	spring-RS-C	1.0T*7.6*13*34.2(ML00004)_V 1.2	ML1,ML2
139	CB00322	electrolytic capacitor-RS	820uF/35V 105 WL ϕ 10*30mm(JAMICON)	C50,C49,C85,C84
140	TC00329	transformer-RS	ETD34(TO000056)	T3
141	NI04470	creel stand-RS-ACT	90695-017(NORWE)	
142	NI04469	creel stand-RS-ACT	90696-017(NORWE)	
143	TC00388	transformer-RS	ETD34(TO000056)	
144	HC00857	terminal block-RS	4P 2EHDV-04P male	CN14
145	HC00858	terminal block-RS	2P 2EHDV-02P male	CN7,CN3
146	HC00859	terminal block-RS	2P 7EHDV-02P male	CN1,CN2
147	NC00958	insulator-RS	0.3t*40*55mm	SPAD1
148	HC00856	terminal block-RS	5P 2EHDV-05P male	CN11,CN12
149	RA01613	metal-oxide-film resistor-RS	0.22R \pm 5% P type	R98,R97,R99,R100
150	SA00309	high speed diode-RS	BYW51FP-200(TO220AB)/(ST)	D12,D11,D13
151	AC00179	tin without lead-RS	M705E Sn 3Ag-0.5Cu	
152	MG00692	screw-RS	M3*12*0.5PH	VT8,VT4,VT15,VT16,VT28,VT24,VT20,VT7,VT3,VT14,VT13,DD12,DD10,DD8,DD13,DD4,DD7,DD9,DD3,DD5,DD2,DD11,DD6
153	ME00226	screw-RS	M3*0.5PH	
154	MG00694	screw-RS	M2.9*9.5	VT6,VT2,VT11,VT26,VT22,VT18,VT27,VT23
155	MG00693	screw-RS	M3*6*0.5PH	VT12,VT5,VT1,VT10,VT9,VT25,VT21,VT17
156	SA00316	bridge rectifier-RS	8A GBU-8K/(PANJIT)	D1
157	HI00366	relay-RS-C	DC12V G5LE-1/(OMRON)	RLY1
158	SB00225	transistor-RS-CT	IRFI9640GPBF(TO220)/(IR)	Q13
159	CG00079	X1/Y2 capacitor-RS	0.0047uF/250V(S472M59Z5US63K7)	C7,C8,C9,C6
160	CG00078	X2 capacitor-RS MKT	1.0uF/275V \pm 5%(BFC233620105)	C1,C2,C3
161	CF00223	metal-film capacitor-RS MKP	0.068uF/630V \pm 5%(BFC238320683)	C4,C5
162	SB00223	transistor-RS-CT	HGTG7N60A4D(TO247)/(FAIRCHILD)	Q2,Q1
163	CF00225	metal-film capacitor-RS MKT	0.1uF/100V \pm 5%(BFC237221104)	C64,C41,C62,C40
164	SB00221	transistor-RS-CT	BD237(SOT32)/(ST)	Q8
165	SB00224	transistor-RS-CT	IRFI640GPBF(TO220)/(IR)	Q10
166	RC00618	resistor-RS	47K Ω \pm 10%(EA06-CA9PH2.5-47K-K)	R72
167	RH00032	thermistor-RS-NTC	10K \pm 5%(NTCLE100E3103JB0)	R67,R68
168	SB00227	Pohtotriode-RS-CT	CNY17F-2BNC(DIP6)/(FAIRCHILD)	ISO1
169	CB00342	electrolytic capacitor-RS-ACT	220uF/200V ϕ 18*31.5mm (NICHICON)	C24,C25,C26,C27,C28,C29
170	CB00343	electrolytic capacitor-RS-ACT	390uF/100V ϕ 16*31.5mm/(NICHICON)	C51,C52
171	HK07154	PC board	P-PWRMOD350/65(PowerSoft)-SMD	
172	CI00046	SMD ceramic capacitor 1206	1uF/16V Y5V-1206(3216)	C39,C38,C45,C30
173	CI00044	SMD ceramic capacitor 1206	0.0047uF/50V NPO	C48,C55
174	CI00212	SMD ceramic capacitor1206	0.047uF/50V X7R \pm 5%	C44
175	CI00095	SMD ceramic capacitor 1206	0.1uF/50V X7R	C88,C35,C37,C65,C89,C67,C36,C86,C87,C68,C66,C69,C70
176	CI00103	SMD ceramic capacitor 1206	100PF/50V NPO \pm 5%	C58,C60,C59
177	CI00041	SMD ceramic capacitor 1206	470PF/50V NPO	C43
178	CI00127	SMD ceramic capacitor 1206	220PF/-50V NPO	C56

No.	Part No.	Description	Specification	Remark
179	CI00262	SMD ceramic capacitor-RS 1206	18PF/50V NPO± 5%	C57
180	HB01990	PCB-RS	PWRMODIIIMAIN14_VER060118	CS1
181	SE00095	SMD diode-RS-CT	ES3D(DO214AB)/(VISHAY)	D38,D39,D8,D9
182	SE00025	SMD diode	0.45A/85V BAV99	D25,D15,D24,D19,D4,D22,D23
183	SE00026	SMD diode	0.45A/85V BAV70	D18,D20
184	SE00089	SMD zener diode-RS	1/2W 5.1V(MMSZ5231B)(SOD-123)/(PANJIT)	D27,D26,D28,D10
185	SE00092	SMD zener diode-RS	1/2W 9.1V(MMSZ5239B)(SOD-123)/(PANJIT)	D36,D35
186	SE00094	SMD zener diode-RS	1/2W 15V(MMSZ5245B)(SOD-123)/(PANJIT)	D29,D31
187	SE00093	SMD zener diode-RS	1/2W 10V(MMSZ5240B)(SOD-123)/(PANJIT)	D32,D30
188	SE00091	SMD zener diode-RS	1/2W 8.2V(MMSZ5237B)(SOD-123)/(PANJIT)	D33,D34
189	SE00084	SMD zener diode-RS	1W 13V(ISMA4743)DO214AC/(PANJIT)	D2
190	SG00502	SMD integrated circuit-RS	NE5532DR(SO8)/(TI)	U5,U4,U6
191	SG00495	SMD integrated circuit-RS-CT	IR2156SPBF(SO14)/(IR)	U1
192	SG00464	SMD integrated circuit	LM324DT(SO14)/(ST)	U3
193	SG00465	SMD integrated circuit-RS	M24C16WMN6TP(SO8)/(ST)	U12
194	RD00245	SMD precise resistor 1/4W	1.00KΩ ±1% 1206	R92,R93,R91,R9,R38,R88,R8, R96,R4,R87,R42
195	RD00602	SMD precise resistor-RS 1/4W	1.50KΩ ±1% 1206	R29,R31,R3
196	RD00247	SMD precise resistor 1/4W	2.20KΩ ±1% 1206	R106,R107,R27
197	RD00248	SMD precise resistor 1/4W	3.30KΩ ±1% 1206	R71,R70
198	RD00140	SMD fixed resistor 1/4W	4.7KΩ ±5% 1206	R12,R118
199	RD00601	SMD precise resistor-RS 1/4W	8.20KΩ± 1% 1206	R6
200	RD00399	SMD precise resistor 1/4W	10.0KΩ ±1% 1206	R64,R61,R46,R45,R43,R44, R7,R47,R28,R11,R48,R41,R4 0,R102,R30,R52,R49,R50,R51 ,R32,R36,R39,R101,R35,R33, R34,R37,R58
201	RD00603	SMD precise resistor-RS 1/4W	22.1KΩ± 1% 1206	R115
202	RD00463	SMD precise resistor 1/4W	22.0Ω ±1% 1206	R21,R20
203	RD00600	SMD precise resistor-RS 1/4W	68.0Ω ± 1% 1206	R85,R86,R83,R65,R66,R84
204	RD00255	SMD precise resistor 1/4W	100KΩ ±1% 1206	R62,R18,R17,R63,R59,R19, R16,R14,R15
205	RD00516	SMD precise resistor 1/4W	150Ω ±1% 1206	R80,R76,R108,R109
206	RD00599	SMD precise resistor-RS 1/4W	270Ω± 1% 1206	R82,R81,R75,R79,R77,R78
207	RD00598	SMD precise resistor-RS 1/4W	390Ω± 1% 1206	R2
208	RD00244	SMD precise resistor 1/4W	560Ω ±1% 1206	R69,R57,R54,R74,R55,R56, R73,R53
209	RD00597	SMD precise resistor-RS 1/4W	100Ω ± 1% 1206	R5,R22
210	RD00596	SMD precise resistor-RS 1/4W	10.0Ω ±1% 1206	R114,R113
211	RD00608	SMD precise resistor-RS 1/4W	33.0KΩ± 1% 1206	R13
212	RD00595	SMD precise resistor-RS 1/4W	330KΩ± 1% 1206	R60
213	RD00594	SMD precise resistor-RS 1/4W	2.70KΩ± 1% 1206	R116,R24,R117,R23
214	RD00615	SMD precise resistor-RS 1/8W	1.50Ω± 5% 0805	R26,R25
215	SF00029	SMD transistor-RS-ACT	BC807(SOT23)/(PHI)	Q5,Q3,Q6,Q4
216	SF00030	SMD transistor-RS-ACT	BC817(SOT23)/(PHI)	Q9,Q7
217	AE00449	solder material without lead	9308/Sn Ag Cu	
218	SE00097	SMD diode-RS-CT	1A/400V US1G(DO214AC)/(VISHAY)	D3
219	SF00103	voltage stabilized transistor-RS-CT	MC78M05CDT (DPAK3)/(ON)	U11
220	HC00941	fuse drawer-RS-ACT	520101(5.2mm) PCB type LITTLEFUSE	F1
221	CN00206	common inductance-RS-C	2*0.4mH/3.6A (B82721-K2362-N1)/(EPCOS)	T2,T1
222	HE00113	fan-RS-CT	DC24V/67mA 80*80*25mm 125mm	FAN1
223	CG00081	Y-type capacitor-RS-ACT	S20-K300(B72220301K101)/(EPCOS)	RV1
224	RH00033	thermistor-RS-CT	5Ω B57235S-0509M000/(EPCOS)	R10
225	CN00210	fixed inductance-RS-T	1uH/4A B82131-A5402-M/(EPCOS)	L3
226	NI00280	sleeve	φ15*25mm	
227	NI00278	sleeve	φ15*1000mm	
228	NE16635	lable-RS	POWERMODII350/65_V1.0	
229	NI00017	membrane	0.055*1M	
230	NI00039	adhesive label	0.06*1M	
231	NE16112	lable	K-SERIES_V1.0	
232	NI00020	membrane	0.07*1M	
233	NH00015	bond paper	0.075*1M	
234	CN00209	fixed inductance-RS-CT	12uH/4A B82111E-0000-C021/(EPCOS)	L1,L2
235	RA01659	metal-oxide-film resistor-RS 1/2W	240K±5% VR37(VR37000002403JA100)	R1
236	NE16887	lable-RS	POWERMOD_V1.0	

No.	Part No.	Description	Specification	Remark
237	NI00015	membrane	0.04*1M	
238	NH00013	bond paper	0.045*1M	
239	MF00018	washer	φ4*φ10*1t V1.0	
240	MF00105	washer	φ4*φ10*1t V1.0	
241	MJ00058	single light board	1*2135*1220 20.45kg	
242	MH02230	rivet-RS	4*12	
243	HD00114	ceramic tube fuse-RS	6.3A 250V φ5.2*20mm CSA/PSE/UL/VDE	F1A
244	HD00071	ceramic tube fuse	3.15A 250V φ5.2*20mm CSA/S/T/UL/VDE	
245	MG00352	screw-RS	M4*25	
246	MG00349	screw-RS	M3*16	
247	MG00350	screw-RS	M5*30	
248	MG00351	screw-RS	M4*16	
249	HG00081	speaker	PA-D597 P-AUDIO 8Ω	
250	CN00061	crossover inductance	4.2mH(wirepathφ1.2mm E type)	
251	HA04958	wire-RS	650mm UL1015 16AWG brown	
252	HA04884	wire-RS	1400mm UL1015 18AWG blue/black	
253	HA04883	wire-RS	900mm/800mm UL1015 16AWG	
254	HA04882	wire-RS	900/650mm UL1015 16AWG	
255	HA04880	wire-RS	450mm UL1015 18AWG blue	
256	AD00012	twin adhesive-RS	90*120mm V1.0	
257	NB03934	paper defend horn	ELVIS15.2XL 1151*75mm V1.0	
258	NE17040	lable-RS	ELVIS 15.2XLA V1.0	
259	NI00014	membrane	0.035*1M	
260	NH00012	bond paper	0.04*1M	
261	HC00873	terminal block-RS	5ESDP-02P	
262	MG00031	screw	M4*12	
263	NI00252	sleeve	φ4*20mm	
264	NI00248	sleeve	φ4*1000mm	
265	HK03077	speaker	15" 150W 6Ω ELVIS 15(Z00823 LP385.65)	
266	NH00235	cone-RS	B0822B_CN 385.65T3 Z2 40HZ V1.0	
267	NH00237	cushion-RS	φ378*351*6 EVA V1.0	
268	ND00223	spider-RS	φ145*φ64.6*13 MC-1038 0.3/50g V1.0	
269	NH00241	cover-RS	φ97*18.4 V1.0	
270	HK03051	magnet circuit-RS	F0809B_CM 65/1445.8 F30 J	
271	MH01648	washer-RS	φ144*φ66.6*8 P:90 V1.0	
272	MH01647	magnet-RS	φ154*φ73*19 Y-30 V1.0	
273	MH01649	T type middle pillar-RS	φ144*φ64*28.5*10 P:72 V1.0	
274	MI01613	bracket-RS	φ383*φ72*112 P:90 V1.1	
275	HC00426	terminal-RS-ACT	M0021B_PT2.1 V1.0	
276	HC00496	connect terminal	0.8*13*16.3mm	
277	HC00495	connect terminal	0.8*13*16.3mm	
278	NI02583	terminal block	3.5*24.5*3t	
279	MH01110	rivet	M0500A_OU-30	
280	HA02494	strand	TA4X4YKA42W*120mm	
281	HA02079	strand	TA4X4YKA42W*1M	
282	ND00228	sponge	S0720B_NYLON NET D45	
283	NE16118	lable	HK03077 V1.0	
284	NI00014	membrane	0.035*1M	
285	NH00012	bond paper	0.04*1M	
286	HG00201	voice coil-RS	BASV2Lφ64.47*35*5.25Ω*0.27 13 V1.0	
287	HA00861	power cord Europe 3P	LT-312+LT-501	
288	HK08045	PC board	P-MS12A/15A	
289	RA00988	cement resistor 20W	10Ω SQY type	R1
290	RG00012	over current protector	0.5A 60V MF-R050	PTC
291	HC00324	connect terminal	6.5m/m (PC250)	IN+,OUT+
292	HB02316	PCB-RS	MS12A/15A_VER061023	1
293	HH00036	lamp	SK3/CWT 12.8V 2.1A	DS1
294	AC00179	tin without lead-RS	M705E Sn 3Ag-0.5Cu	
295	NI04451	rubber foot crshion-RS	φ12.5*φ11*5.7mm	
296	HJ00006	dessicant	30g	
297	NE05267	label	red	
298	NH00025	bond paper	0.065*1M	
299	NI00018	membrane	0.06*1M	
300	MG00612	screw	M3*4.5	
301	MF00054	washer	φ4*φ12*1t V1.0	

No.	Part No.	Description	Specification	Remark
302	MF00106	washer	φ4*φ12*1t V1.0	
303	MJ00058	single light board	1*2135*1220 20.45kg	
304	NI04279	mark	MS SERIES ALTO V1.0	
305	NI04218	mark	65.1*92.5*3mm black V1.0	
306	NI04221	label	MS SERIES ALTO V1.0	
307	NI00218	cable tie	ALT-102SB	
308	MD00670	iron net-RS-ACT	ELVIS 15.2XL V1.2	
309	MD00669	iron net-RS-ACT	1.2t*1075*10.5 PH=φ4*5 V1.2	
310	MD00671	net-material-RS	1.2t*1075*443 PH=φ4*5 V1.2	
311	AE00055	solvent	solvent	
312	AE00056	paint-RS	2745	
313	NC01656	box-RS	ELVIS 15.2XLA YB-153# V1.0	
314	NI02376	handle	85.6*207*7 432C	
315	MJ01146	pillor	2t*201*79.6mm ELVIS	
316	MJ01166	iron board	2t*201*79.6mm ELVIS10	
317	MJ01154	single light board	2.0t*1850*950mm 27.6kg	
318	NI02375	handle cover	ELVIS 10;12;15 432C	
319	NI02426	foot cushion	φ37*15.5mm	
320	ND00544	dustproof cloth(used to speaker)	2.5t*1.8M*2M YB-153 gray V1.0	
321	ND00415	Carpet cloth	2m*50m*2.5t*310g/ YB-153 V1.0	
322	ND00545	absorb sound sponge	40t*360*900mm	
323	ND00454	Carpet cloth	25m*1m*40t white V1.0	
324	NC00646	front board	ELVIS 15.2XL 1088*423.5*18t V1.0	
325	NC00236	Shaving board	2440*1220*18t V1.0	
326	NC00642	barrier	ELVIS 15.2XL 410*360*18t middle V1.0	
327	NC00236	Shaving board	2440*1220*18t V1.0	
328	NC00644	side cover board	ELVIS 15.2XL 1088*407.5*18t left V1.0	
329	NC00236	Shaving board	2440*1220*18t V1.0	
330	NC00643	side cover board	ELVIS 15.2XL 1088*407.5*18t right V1.0	
331	NC00236	Shaving board	2440*1220*18t V1.0	
332	NC01667	rear board-RS	ELVIS 15.2XLA 1088*326.5*18mm V1.0	
333	NC00236	Shaving board	2440*1220*18t V1.0	
334	NC00647	rear board	ELVIS 15.2XL 452.5*449*18t V1.0	
335	NC00236	Shaving board	2440*1220*18t V1.0	
336	NC01668	box-RS	ELVIS 15.2XLA 739*533*18mm V1.0	
337	NC00236	Shaving board	2440*1220*18t V1.0	
338	MG00536	screw-RS	M4*20 V1.1	
339	ME00082	nut	M5	
340	ME00085	nut	M4	
341	MG00338	screw-RS	M4*30mm	
342	MG00360	screw-RS	M4*25mm	
343	NI02250	MIC jack	φ17*φ23.5*9	
344	MF00012	washer	φ4*φ10*1t	
345	NF02169	instruction-RS-ACT	ELVIS 15.2XL SERIES ALTO V1.1	
346	NH00149	paper	889*640mm	