

Service *Manual*

MODEL: LYNX-MIX124/164/204 USB MKII

LYNX-MIX124 UM MKII/LYNX-MIX244 USB

CONTENT

| | |
|---|----|
| 1. INTRODUCTION..... | 1 |
| 2. TECHNICAL SPECIFICATIONS..... | 2 |
| 3. BLOCK DIAGRAM & SCHEMATIC DIAGRAM..... | 4 |
| 4. PCB LAYOUT..... | 26 |
| 5. EXPLODED VIEW & PARTS LIST | 30 |
| 6. BOM..... | 37 |

1 INTRODUCTION

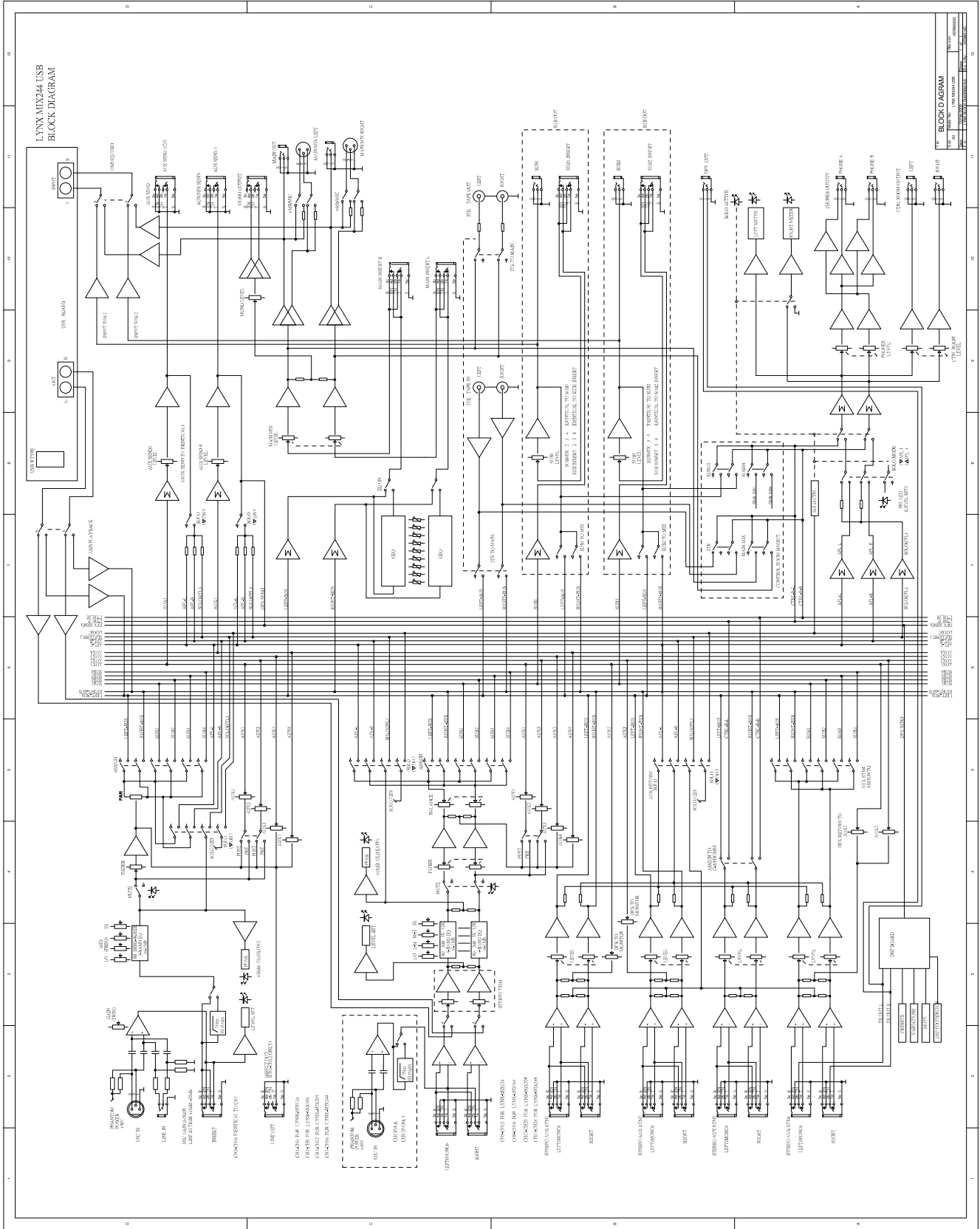
LYNX-MIX124 USB 12(LYNX-MIX164 USB 16/LYNX-MIX204 USB 20/LYNX-MIX244 USB 24) channels mix with digital effect built-in, the features are as follows:

1. Gold-plated XLR and balanced LINE inputs for 6/10/14 MIC input channels
2. Balanced TRS connector for 4 stereo inputs
3. Ultra-low noise MIC preamp with +48V phantom power and high-pass filter
4. Precise 60mm fader
5. MUTE, SOLO function, signal LED, CLIP LED and SUB1-2, SUB3-4 & MAIN L-R signal return switch on each input channel
6. 4 AUX sends on each channel: 2 switchable pre/post faders for monitoring and effects: 2 post faders for internal digital DFX or as external send
7. 4-band EQ on stereo channel
8. 3-band EQ on mono channel
9. Inserts, Direct Outputs, Main Mix Insert, Main Mix Insert on each mono channel for external effect device
10. 24-bit DSP effect with 256 effects(16 presets, 16 variations)
11. Stereo 9-band EQ
12. BNC connector for lamp
13. Matrix control room/headphone output
14. 2-TRACK IN assignable to main mix, control room/headphone output
15. Highly accurate 12 segment output level meters
16. With USB port connected to SUB-1 or MAIN MIX output in output mode, connected to CH11/12(CH15/16, CH19/20) or MAIN MIX output in input mode
17. LYNX-MIX124 UM is based on LYNX-MIX124 USB with a function added that play and program MP3 files in U disk

| | | |
|--|--|--|
| | | |
| | | |
| | | |
| | | |
| | | |
| | | |
| | | |
| | | |
| | | |
| | | |
| | | |
| | | |
| | | |
| | | |
| | | |
| | | |
| | | |
| | | |
| | | |
| | | |
| | | |
| | | |
| | | |
| | | |
| | | |
| | | |
| | | |
| | | |
| | | |
| | | |
| | | |
| | | |
| | | |

| | | |
|--|--|--|
| | | |
| | | |
| | | |
| | | |
| | | |
| | | |
| | | |
| | | |

LYNX MIX24 USB
BLOCK DIAGRAM



11

10

9

8

7

6

5

4

3

2

1

CHECK FOR TYPING ERRORS

CHECK FOR TYPING ERRORS

CHECK FOR TYPING ERRORS

CHECK FOR TYPING ERRORS

CHECK FOR TYPING ERRORS

CHECK FOR TYPING ERRORS

CHECK FOR TYPING ERRORS

CHECK FOR TYPING ERRORS

CHECK FOR TYPING ERRORS

STEREO PAIR

STEREO PAIR

STEREO PAIR

STEREO PAIR

STEREO PAIR

STEREO PAIR

STEREO PAIR

STEREO PAIR

STEREO PAIR

| BLOCK DIAGRAM | |
|---------------|--------------|
| DATE | 1/1/2010 |
| DESIGNED BY | DAVID HARRIS |
| CHECKED BY | DAVID HARRIS |
| APPROVED BY | DAVID HARRIS |

LYNX-MIX124 USB/UM_MONO(1/6)

MN2_Sch
MN2_S01

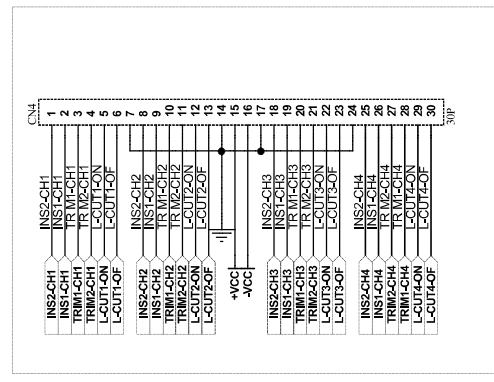
MN2_Sch
MN2_S02

MN2_Sch
MN2_S03

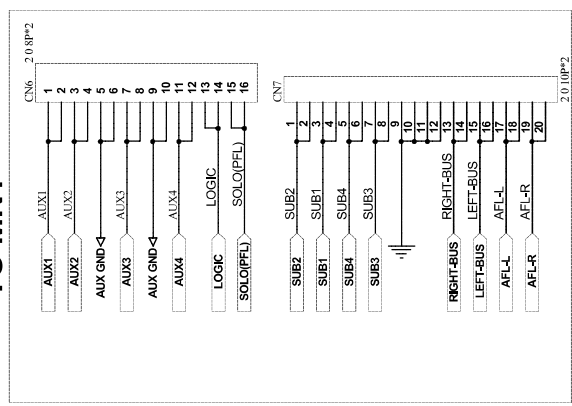
MN2_Sch
MN2_S04

MN2_Sch
PU3_SCH

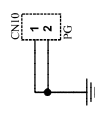
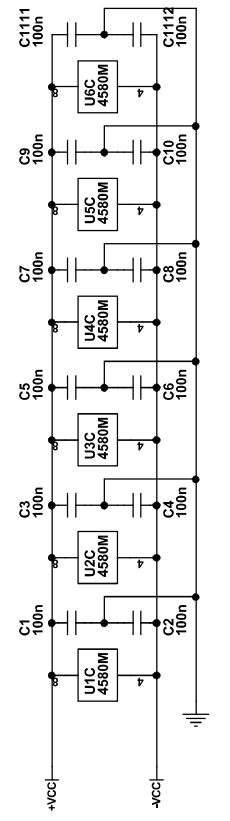
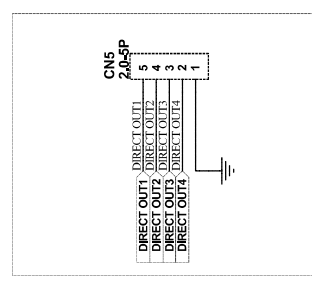
TO PU2



TO MN1

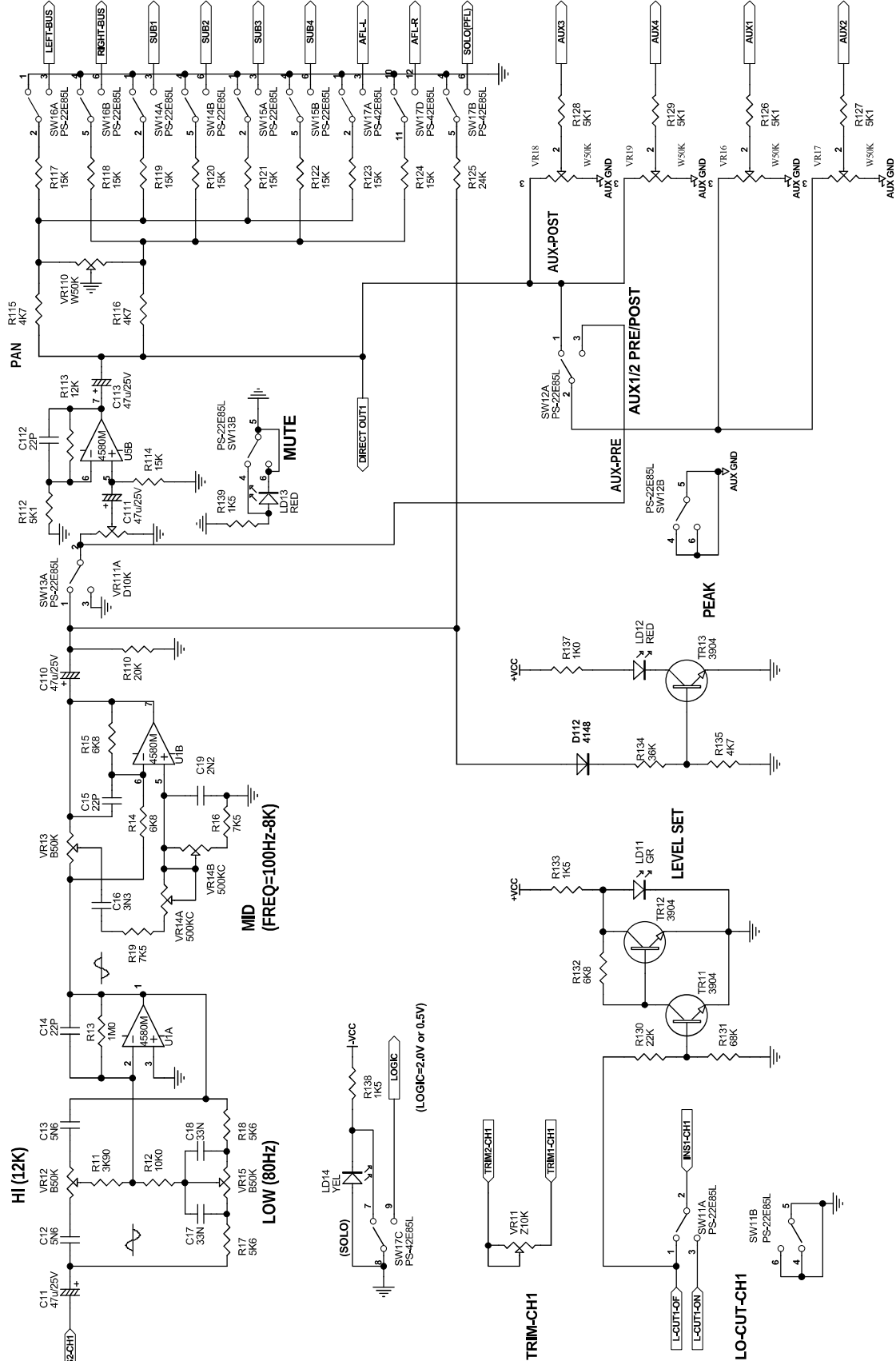


TO DIRECT OUT

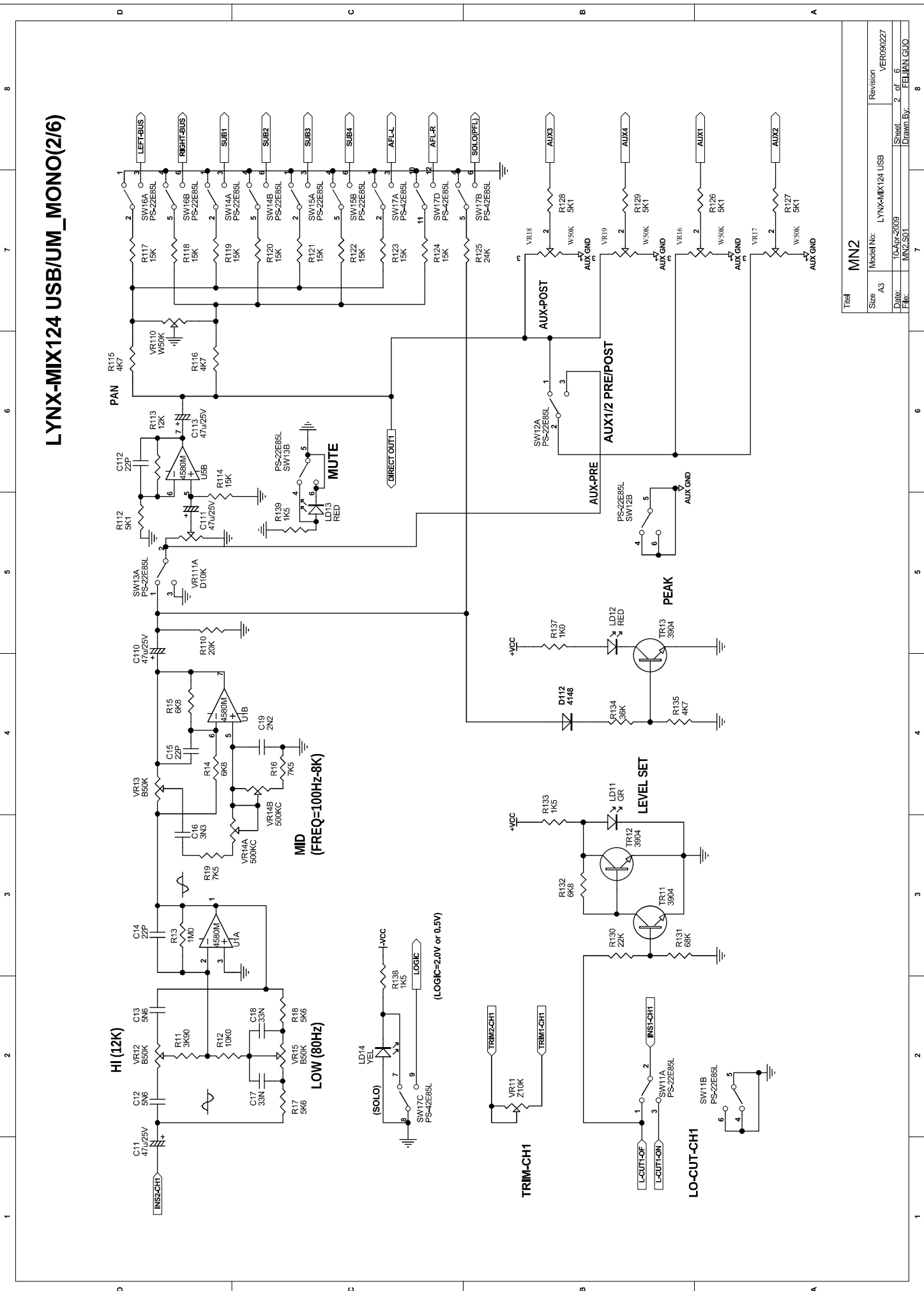


| | | | |
|-------|-------------|-----------|-----------------|
| Title | | MN2 | |
| Size | A3 | Model No. | LYNX-MIX124 USB |
| Date: | 10-Apr-2009 | Revision | VER09027 |
| File: | MN2_Sch | Sheet | 1 of 6 |
| | | Drawn By: | FEIJIAN GUO |

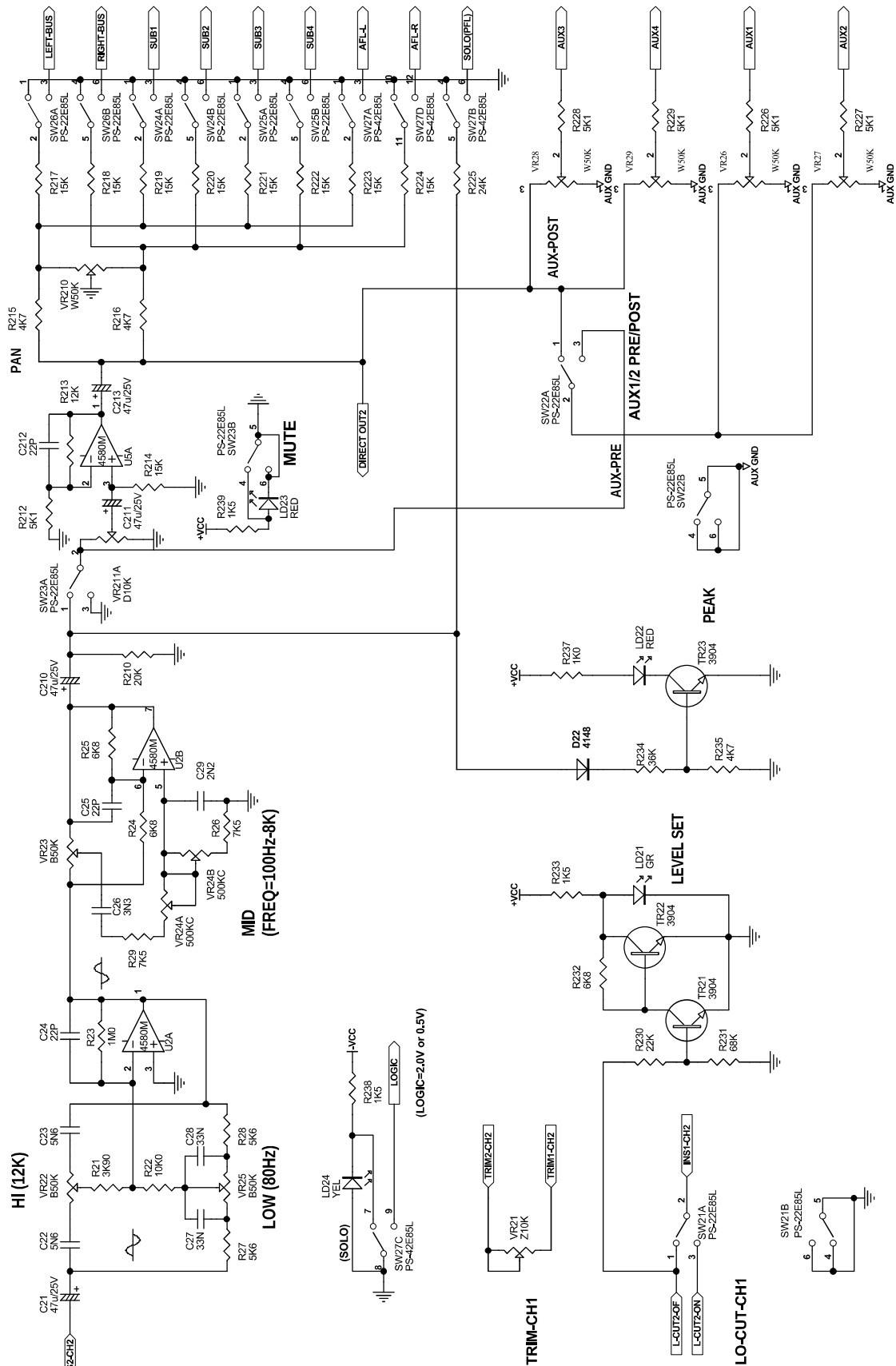
LYNX-MIX124 USB/UM_MONO(2/6)



| | | | |
|-------|-------------|-----------|-----------------|
| Title | | MN2 | |
| Size | A3 | Model No. | LYNX-MIX124 USB |
| Date: | 10-Apr-2009 | Revision | VER09027 |
| File: | MN2.S01 | Sheet | 2 of 6 |
| | | Drawn By: | FEIJUAN GUO |



LYNX-MIX124 USB/UM_MONO(3/6)

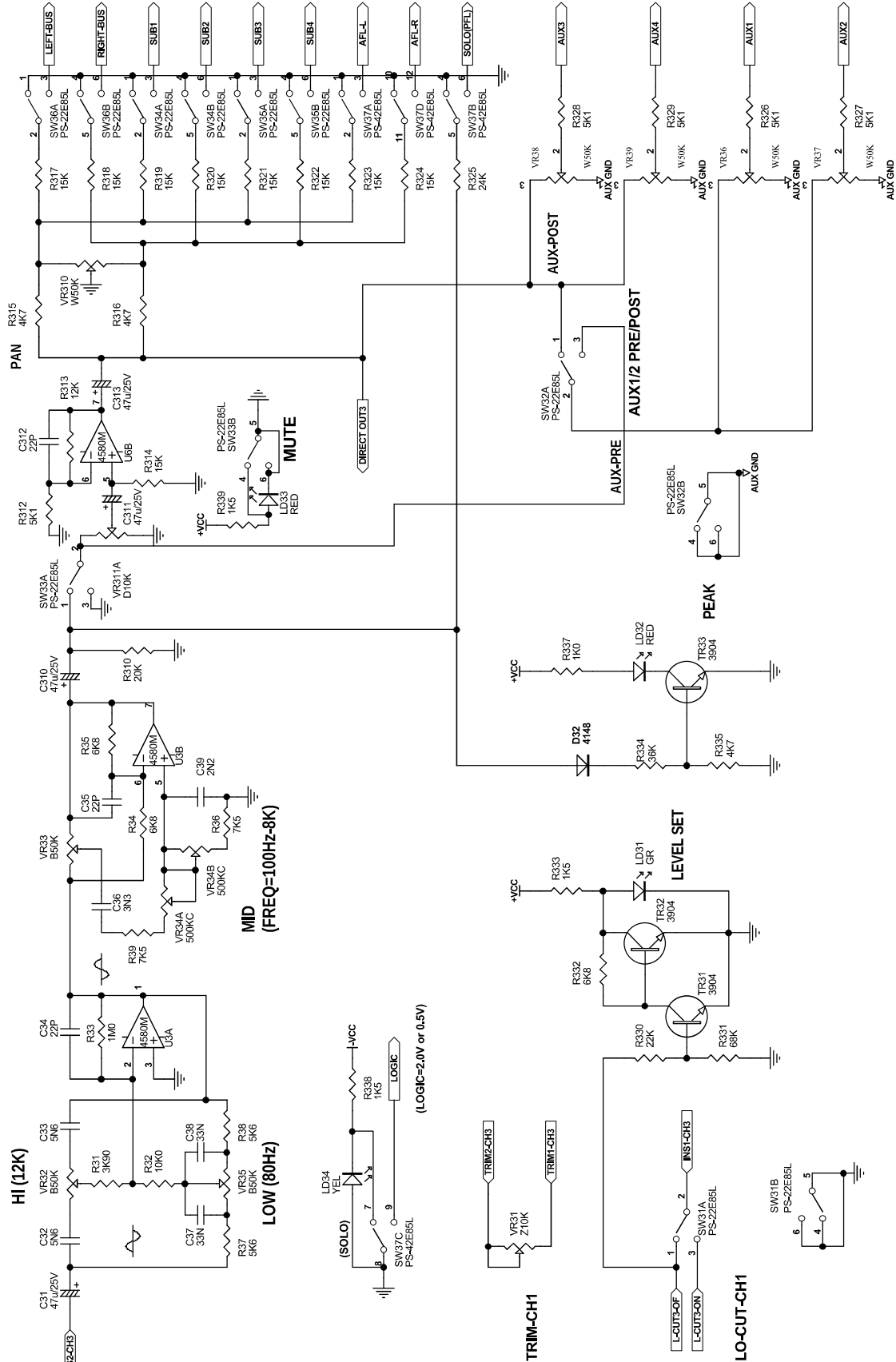


| | | | |
|-------|-------------|-----------|-----------------|
| Title | | MN2 | |
| Size | A3 | Model No. | LYNX-MIX124 USB |
| Date: | 10-Apr-2009 | Revision | VER09027 |
| File: | MN2.S02 | Sheet | 3 of 6 |
| | | Drawn By: | FEIJUAN GUO |

1 2 3 4 5 6 7 8

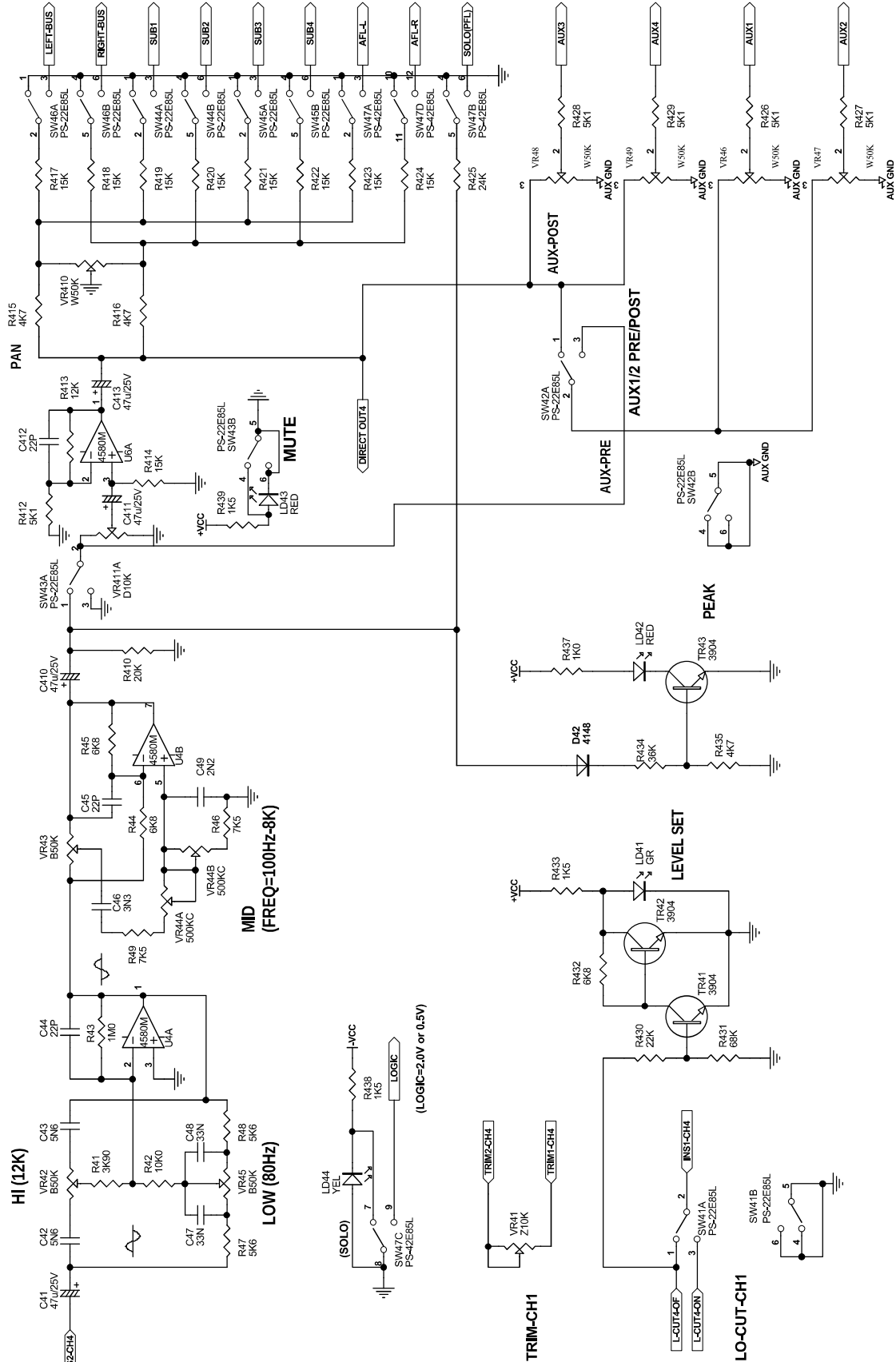
D C B A

LYNX-MIX124 USB/UM_MONO(4/16)



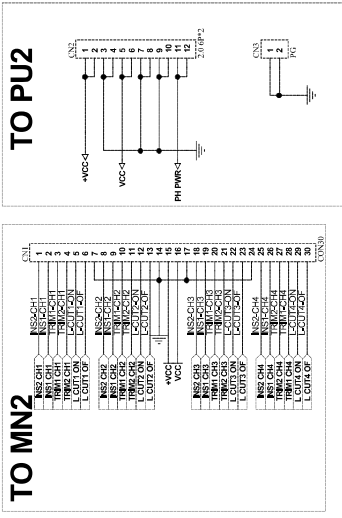
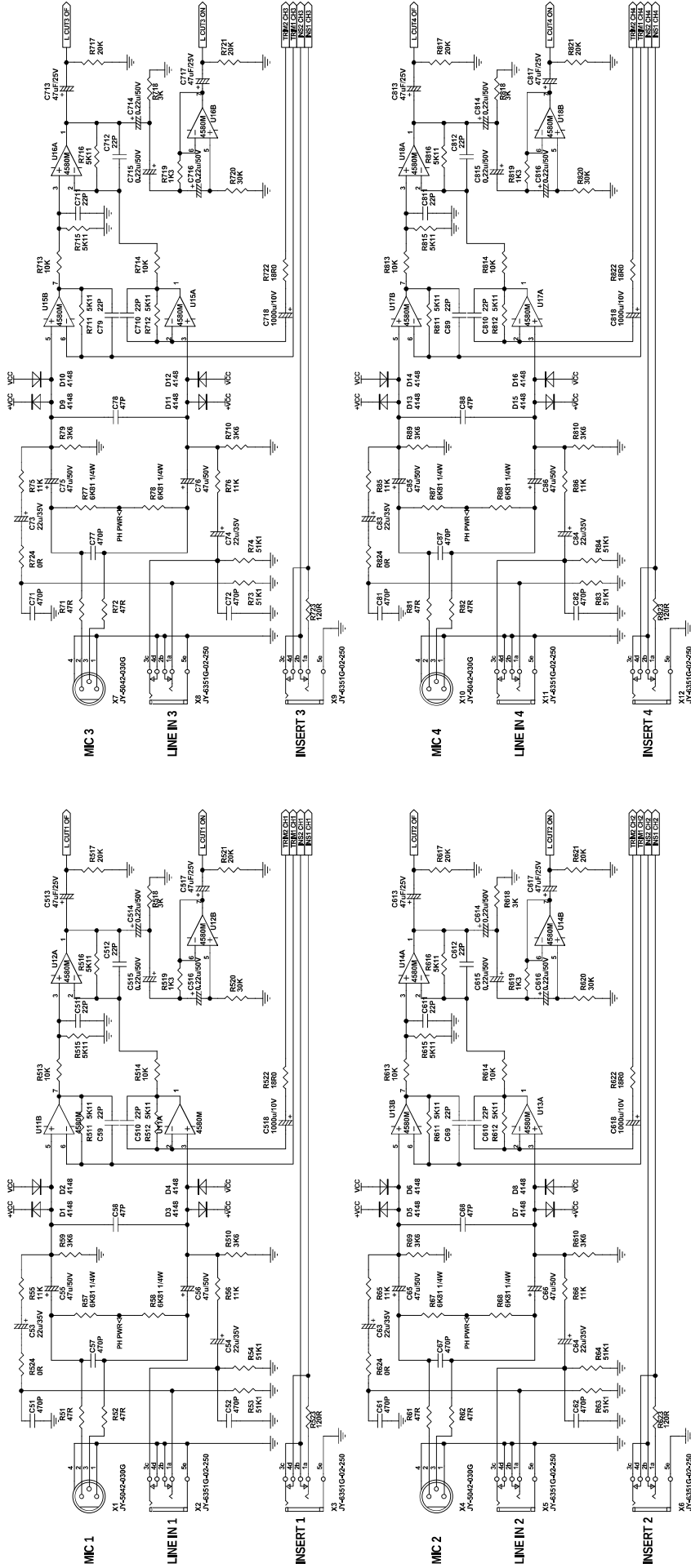
| | | | |
|-------|-------------|-----------|-----------------|
| Title | | MN2 | |
| Size | A3 | Model No. | LYNX-MIX124 USB |
| Date: | 10-Apr-2019 | Revision | VER09027 |
| File: | MN2.S03 | Sheet | 4 of 6 |
| | | Drawn By: | FEIJUAN GUO |

LYNX-MIX124 USB/UM_MONO(5/6)



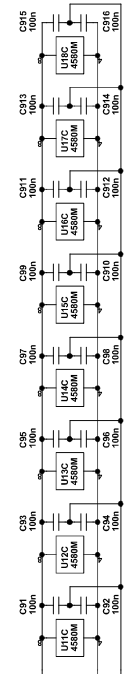
| | | | |
|-------|-------------|-----------|-----------------|
| Title | | MN2 | |
| Size | A3 | Model No. | LYNX-MIX124 USB |
| Date: | 10-Apr-2009 | Revision | VER09027 |
| File: | MN2.S04 | Sheet | 5 of 6 |
| | | Drawn By: | FEIJUAN GUO |

LYNX-MIX124 USB/MONO(6/6)

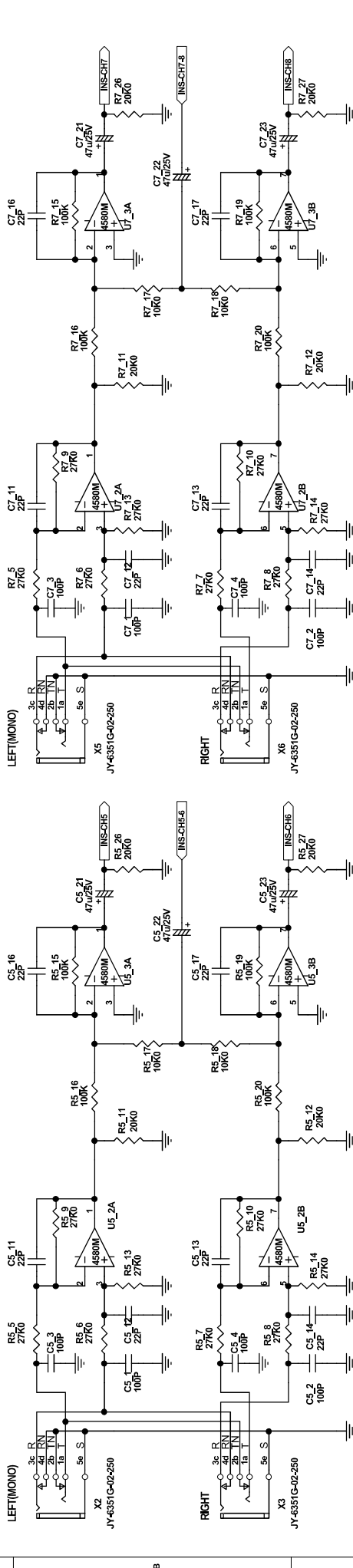
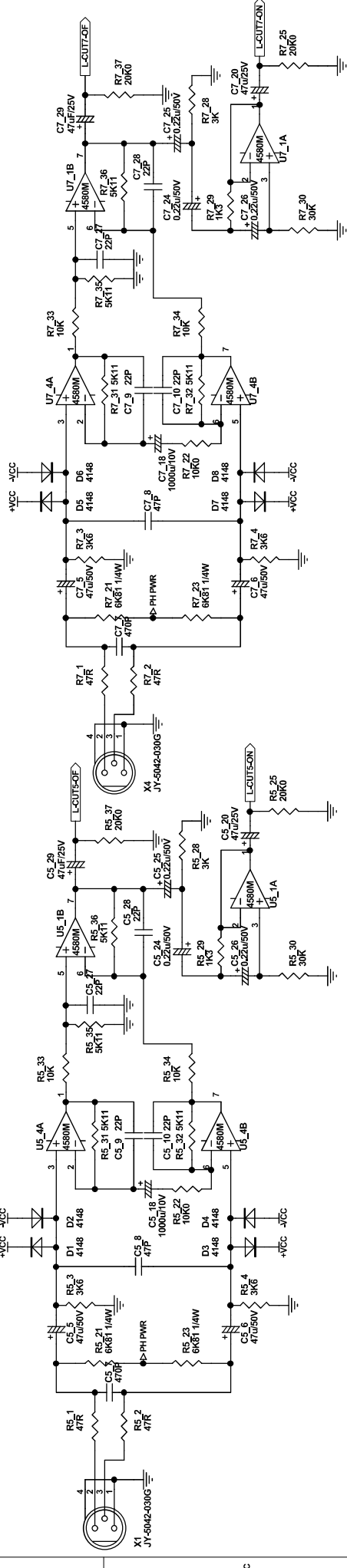


| | | | |
|-----------|-----------------|-----------|------------------|
| Model No. | LYNX-MIX124 USB | Revision | VER0902Z7 |
| Part No. | PC-5329209 | Sheet | 6 of 7 |
| File No. | PC-5329209 | File Name | FILE:LYNX.MIX124 |

PU3

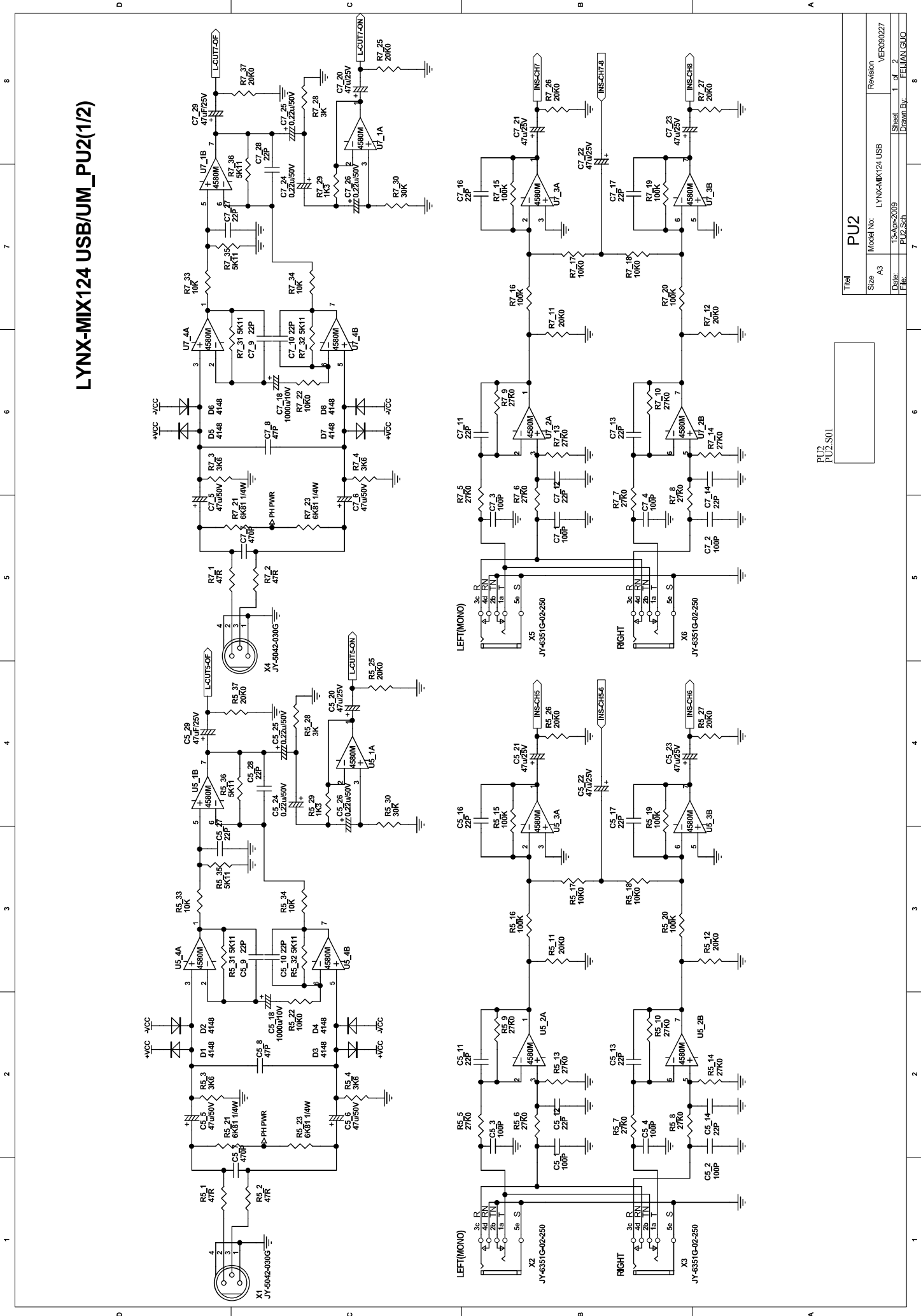


LYNX-MIX124 USB/UM_PU2(1/2)

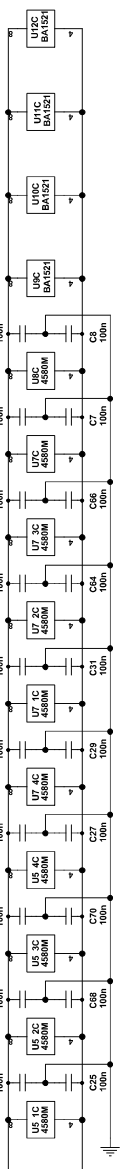
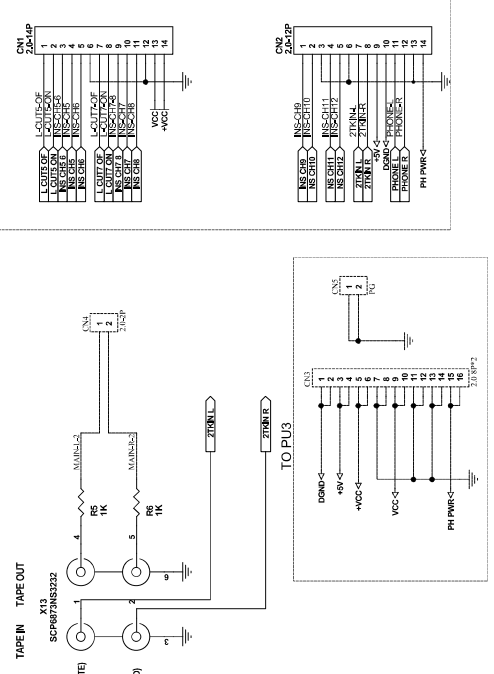
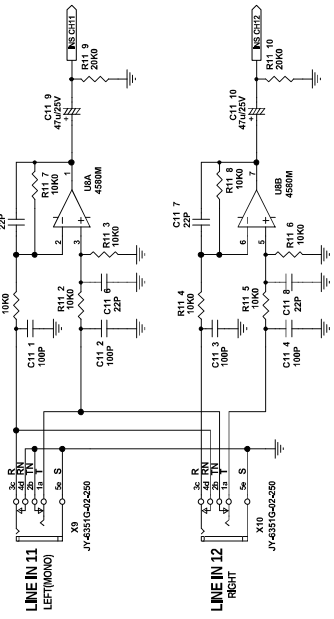
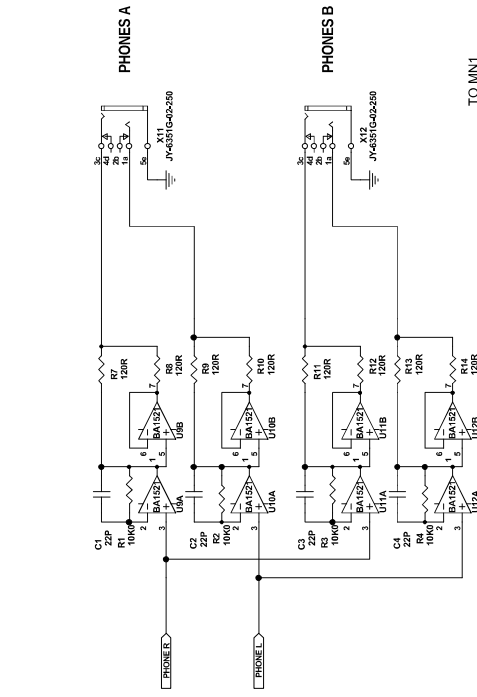
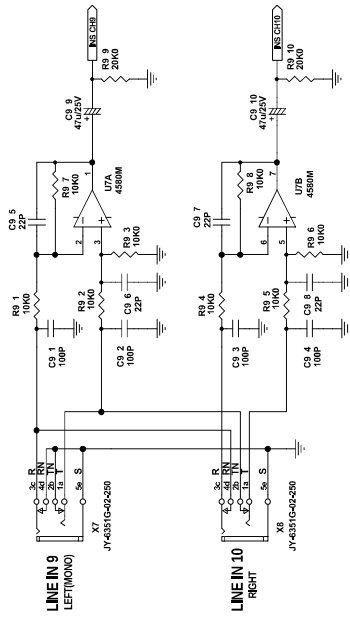


PU2
PU2.S01

| Title | | Revision | |
|-------|-------------|-----------|-----------------|
| Size | A3 | Model No. | LYNX-MIX124_USB |
| Date | 13-Apr-2009 | Sheet | 1 of 2 |
| File | PU2.Sch | Drawn By | FELIAN GUO |



LYNX-MIX124 USB/IUM_PU2(2/2)

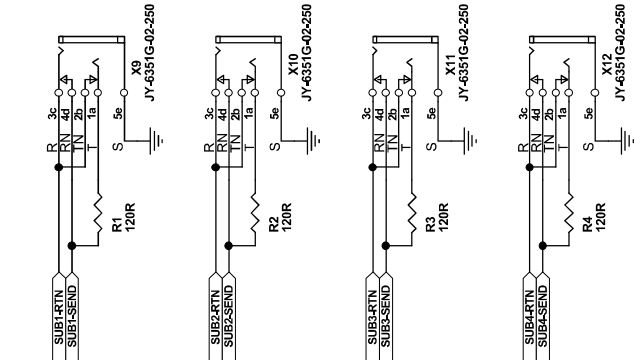
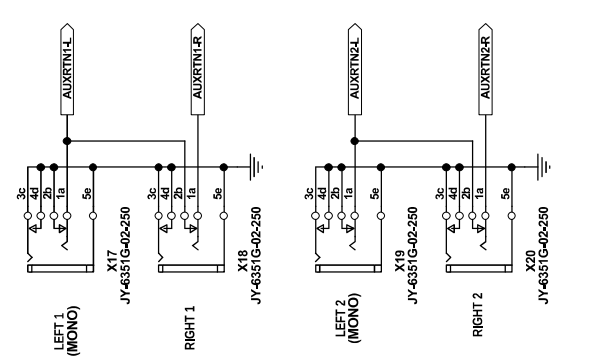
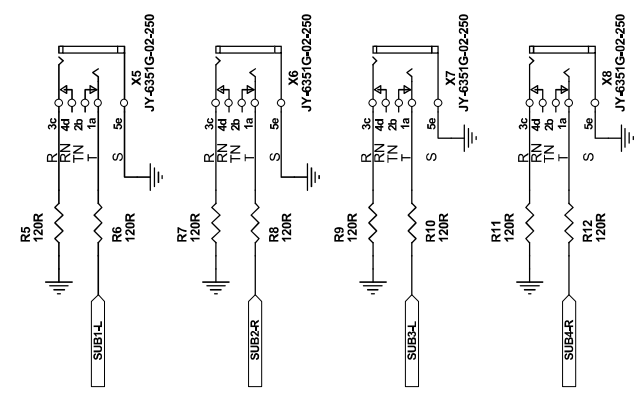
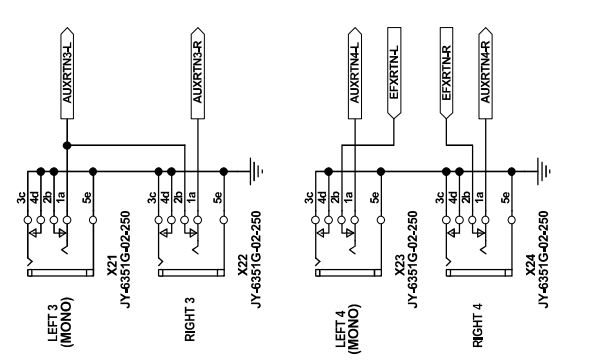
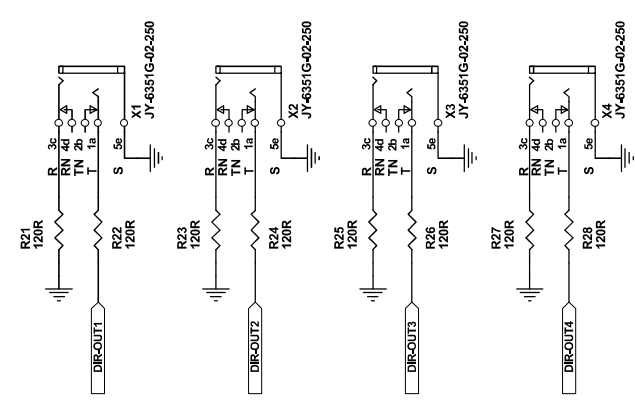
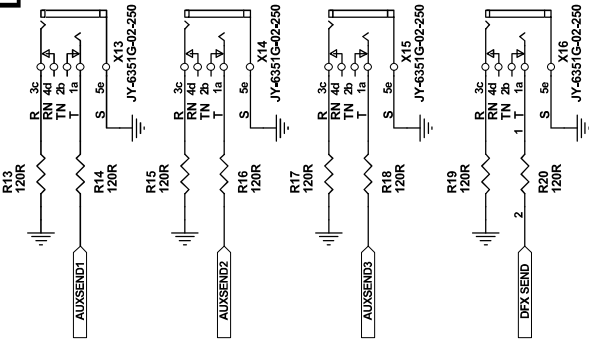


| Item | Model No. | Revision |
|---------|-----------------|-------------|
| Size | AS | VER09/02/27 |
| Doc No. | LYNX-MIX124 USB | REV. 2 |
| Rev. | LYNX-MIX124 | REV. 2 |
| | | REV. 2 |

PU2

| Item | Model No. | Revision |
|---------|-----------------|-------------|
| Size | AS | VER09/02/27 |
| Doc No. | LYNX-MIX124 USB | REV. 2 |
| Rev. | LYNX-MIX124 | REV. 2 |
| | | REV. 2 |

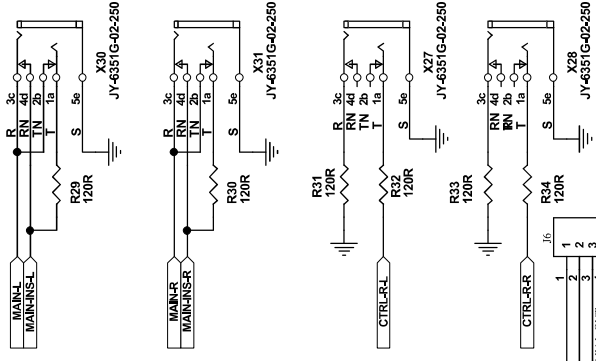
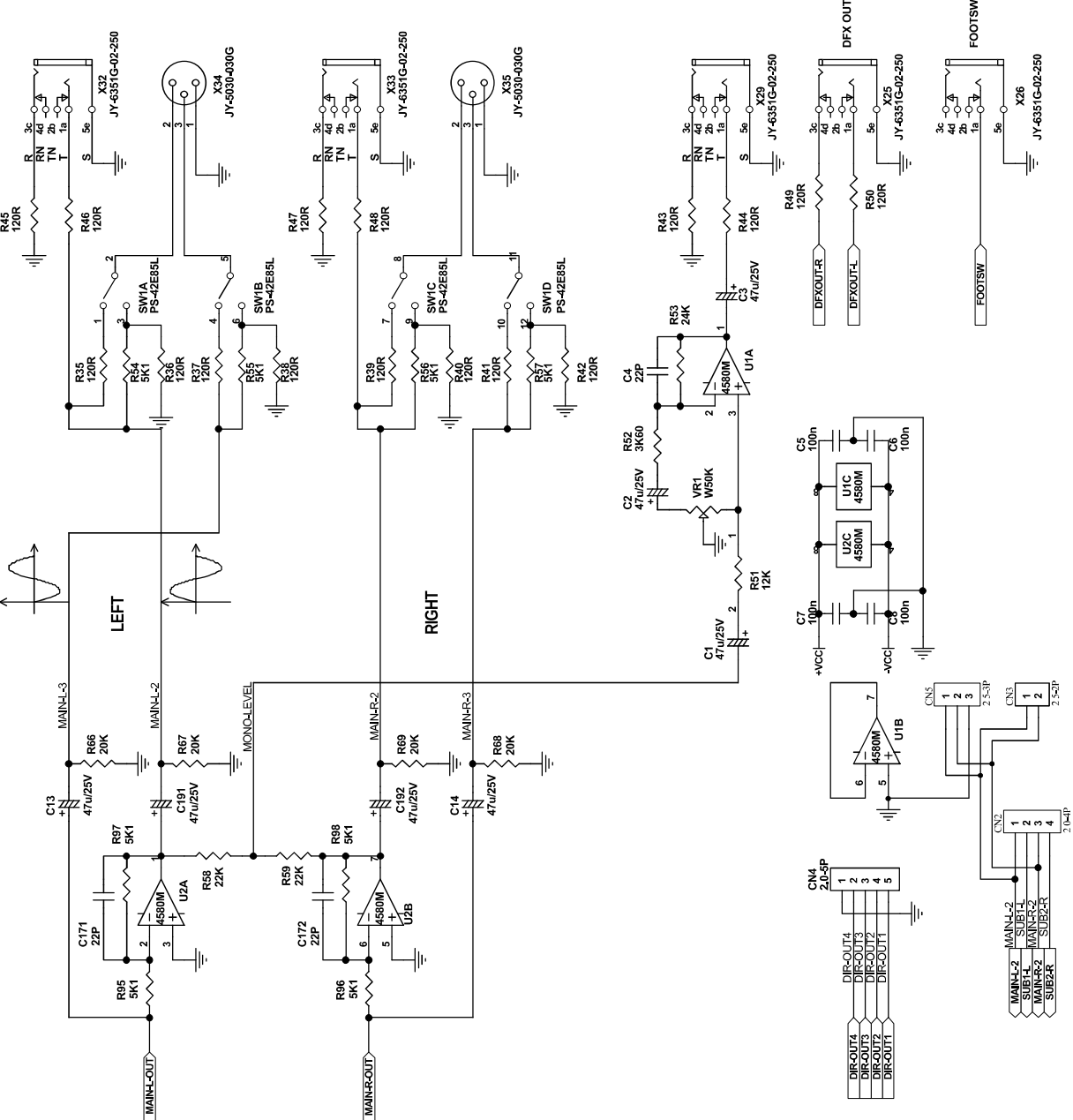
LYNX-MIX124 USB/UM_PU1(1/2)



PU1 SCH
PU1.S01

| | | | |
|-------|-------------|-----------|-----------------|
| Title | | PU2 | |
| Size | A3 | Model No. | LYNX-MIX124 USB |
| Date: | 13-Apr-2009 | Revision | VER090227 |
| File: | PU1_Sch | Sheet | 1 of 2 |
| | | Drawn By: | FEIJIAN GUO |

LYNX-MIX124 USB/UM_PU1(2/2)



| | | | |
|----|-----------|----|---------|
| 1 | +VCC | 16 | CTRL-RR |
| 2 | -VCC | 17 | CTRL-RR |
| 3 | MAINL-OUT | 18 | CTRL-RR |
| 4 | MAINL-OUT | 19 | CTRL-RR |
| 5 | MAINL-OUT | 20 | CTRL-RR |
| 6 | MAINL-OUT | 21 | CTRL-RR |
| 7 | MAINL-OUT | 22 | CTRL-RR |
| 8 | MAINL-OUT | 23 | CTRL-RR |
| 9 | MAINL-OUT | 24 | CTRL-RR |
| 10 | MAINL-OUT | 25 | CTRL-RR |
| 11 | CTRL-RL | 26 | CTRL-RR |
| 12 | CTRL-RR | 27 | CTRL-RR |
| 13 | DFXOUT-L | 28 | CTRL-RR |
| 14 | DFXOUT-R | 29 | CTRL-RR |
| 15 | FOOTSW | 30 | CTRL-RR |
| 16 | AUXSEND1 | 31 | CTRL-RR |
| 17 | AUXSEND2 | 32 | CTRL-RR |
| 18 | AUXSEND3 | 33 | CTRL-RR |
| 19 | DFX SEND | 34 | CTRL-RR |
| 20 | DFX SEND | 35 | CTRL-RR |
| 21 | DFX SEND | 36 | CTRL-RR |
| 22 | AUXRTN-L | 37 | CTRL-RR |
| 23 | AUXRTN-R | 38 | CTRL-RR |
| 24 | AUXRTN-L | 39 | CTRL-RR |
| 25 | AUXRTN-R | 40 | CTRL-RR |
| 26 | AUXRTN-L | 41 | CTRL-RR |
| 27 | AUXRTN-R | 42 | CTRL-RR |
| 28 | AUXRTN-L | 43 | CTRL-RR |
| 29 | AUXRTN-R | 44 | CTRL-RR |
| 30 | EFXRTN-L | | |
| 31 | EFXRTN-R | | |
| 32 | SUB1-RTN | | |
| 33 | SUB1-RTN | | |
| 34 | SUB1-SEND | | |
| 35 | SUB2-RTN | | |
| 36 | SUB2-RTN | | |
| 37 | SUB2-SEND | | |
| 38 | SUB3-RTN | | |
| 39 | SUB3-RTN | | |
| 40 | SUB3-SEND | | |
| 41 | SUB4-RTN | | |
| 42 | SUB4-RTN | | |
| 43 | SUB4-SEND | | |
| 44 | SUB4-RTN | | |

| | | | |
|-------|-------------|-----------|-----------------|
| Title | | PU1 | |
| Size | A3 | Model No. | LYNX-MIX124 USB |
| Date: | 15-Apr-2009 | Revision | VER090227 |
| File: | PU1.S01 | Sheet | 2 of 2 |
| | | Drawn By: | FEIJIAN GUO |

1 2 3 4 5 6 7 8

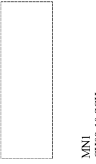
D C B A

LYNX-MIX124 USB/UM_MN1(1/10)

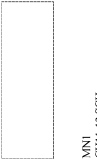
MINI
CH09-06 SCH



MINI
CH09-08 SCH



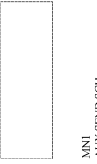
MINI
CH09-10 SCH



MINI
CH11-17 SCH



MINI
MAIN-SUB SCH



MINI
AUX SEND SCH



MINI
AUX RTN SCH



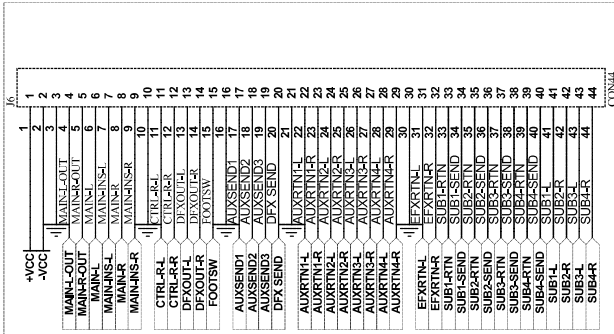
MINI
CTRL-ROOM SCH



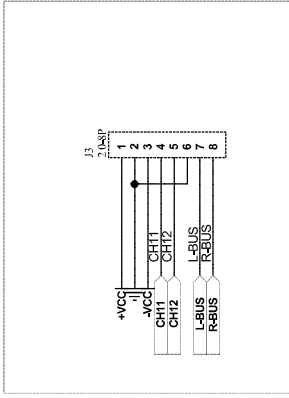
MINI
DS1 SCH



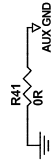
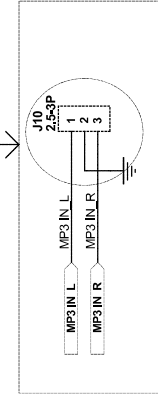
TO PU1



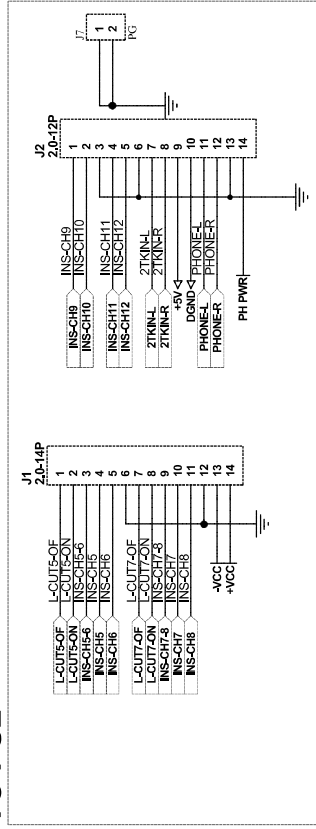
TO USBMOD



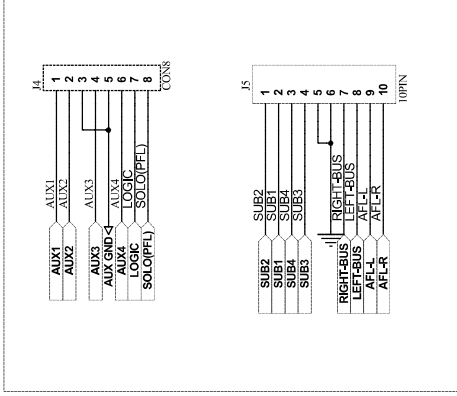
TO MP3



TO PU2

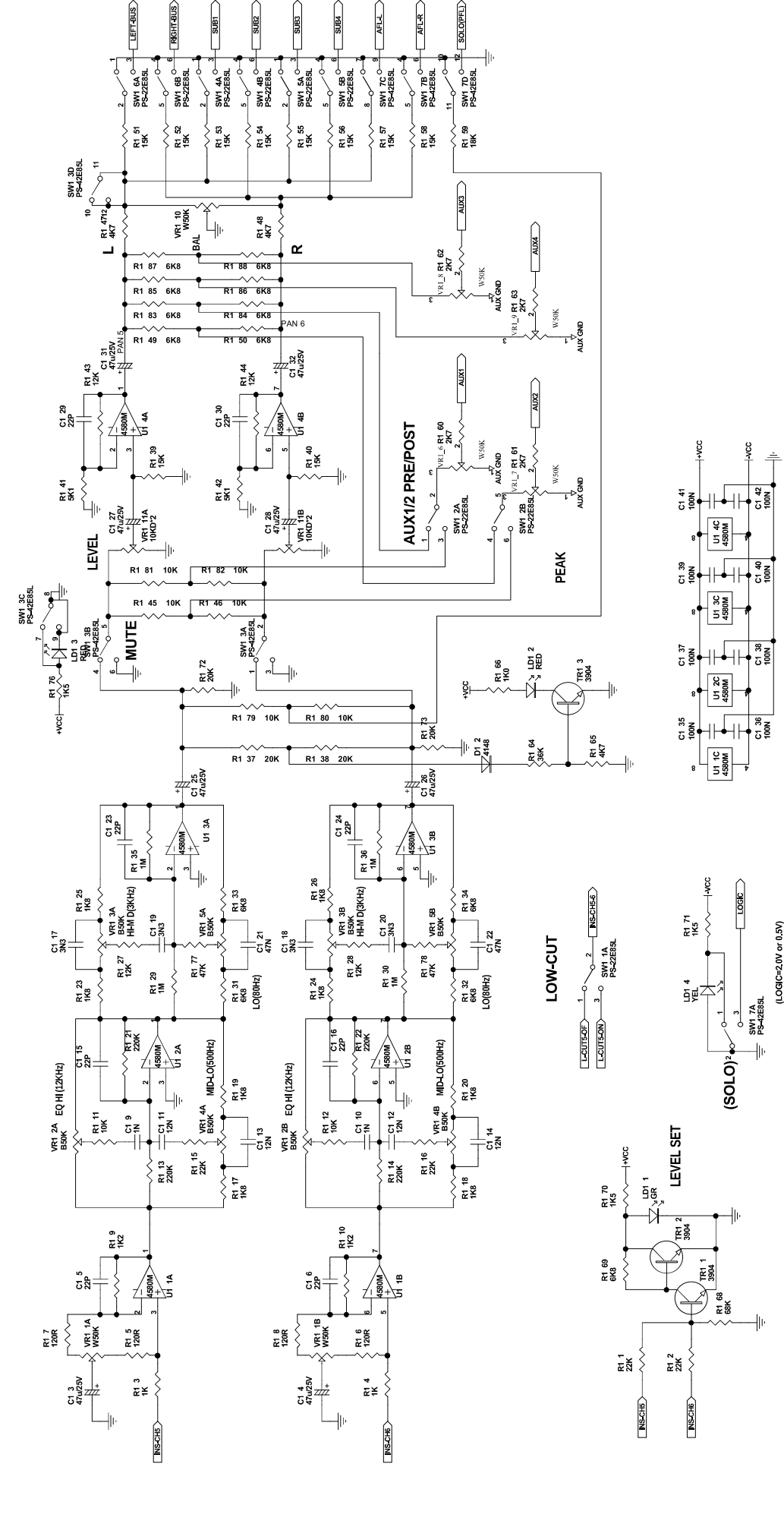


TO MN2



| | | | |
|-------|--------------|-----------|-----------------|
| Title | | MN1 | |
| Size | A3 | Model No. | LYNX-MIX-124 UM |
| Date: | 10-Apr-2009 | Revision | VER090227 |
| File: | MN1-AE-1.SCH | Sheet | 1 of 10 |
| | | Drawn By: | FEIJIAN GUO |

LYNX-MIX124 USB/UM_MN1(2/10)

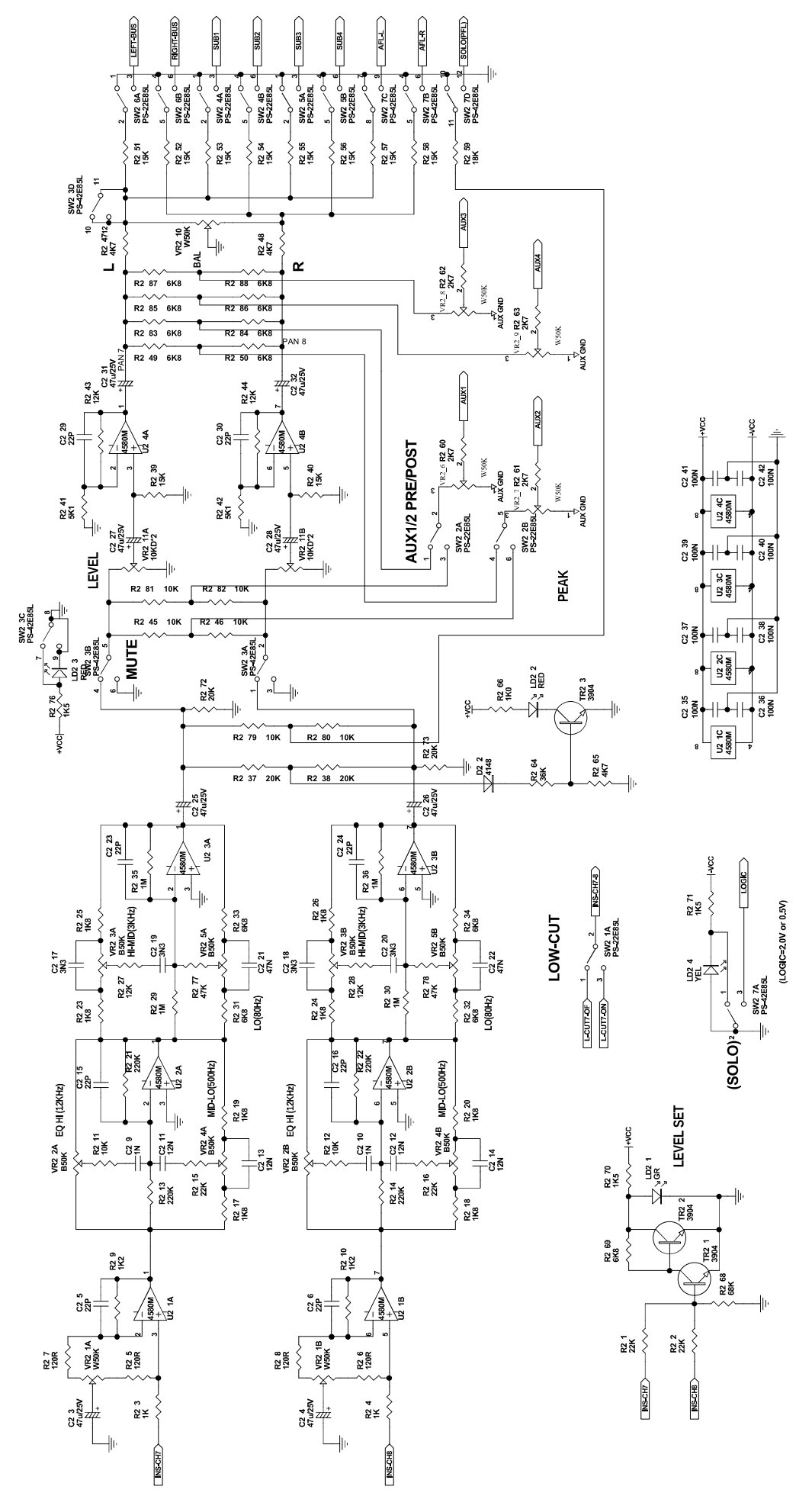


| | | | |
|-------|------------|-----------|----------------|
| Total | MN1 | | |
| Size | A3 | Model No: | LYNX-MIX124 UM |
| Date: | 10-02-2009 | Revision | VER090277 |
| File: | CH0506.SCH | Sheet | 2 of 10 |
| | | Drawn By: | FELIAN GUO |

1 2 3 4 5 6 7 8

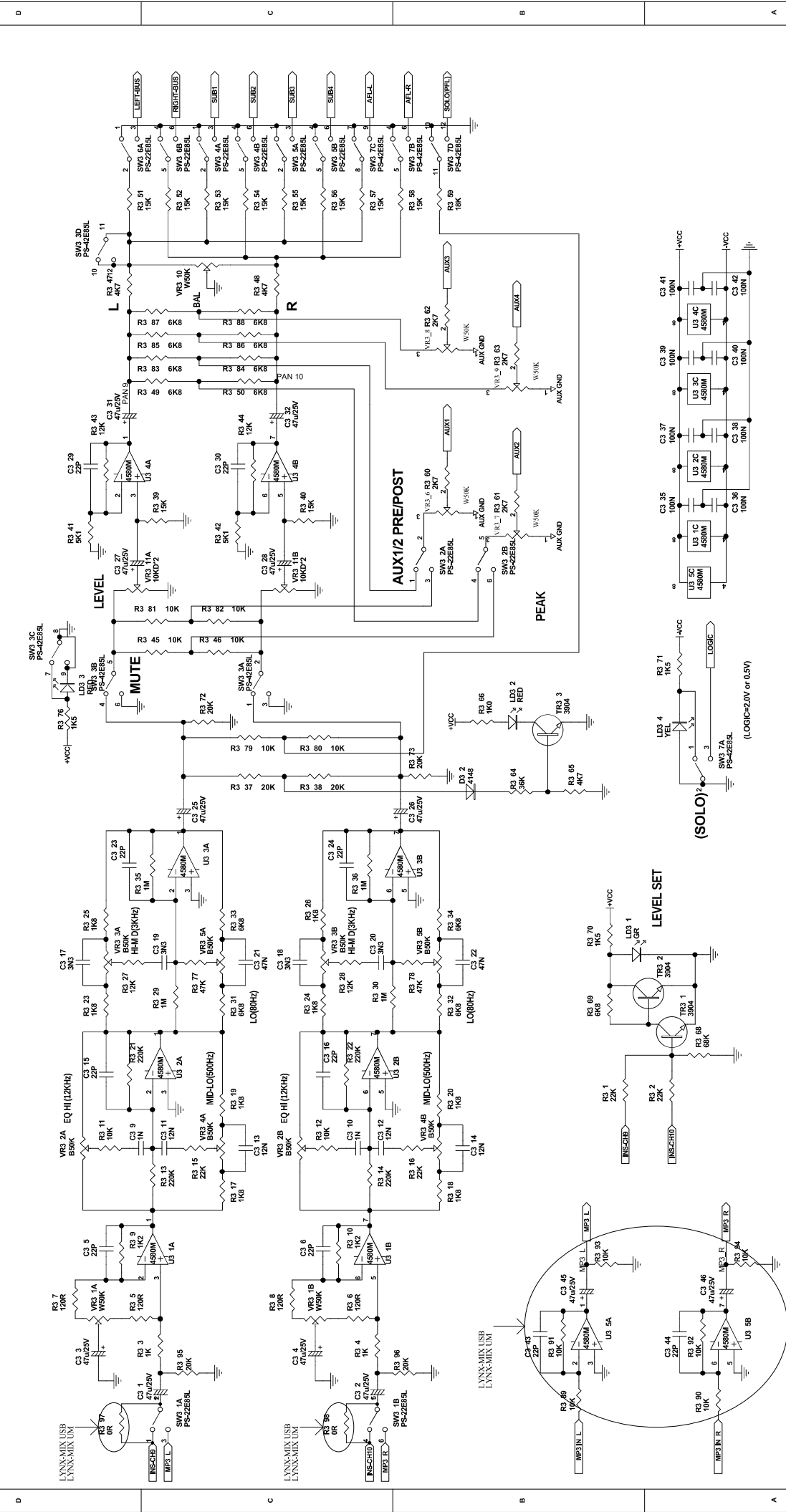
A B C D

LYNX-MIX124 USB/UM_MN1(3/10)



| | | | |
|-------|-------------|-----------|----------------|
| Title | | MN1 | |
| Size | A3 | Model No. | LYNX-MIX124 UM |
| Drawn | TC-AGZ-2009 | Revision | VER090277 |
| File | CH0706.SCH | Sheet | 3 of 10 |
| | | Drawn By | FELUAN GUO |

LYNX-MIX124 USB/UM_MN1(4/10)



| | | | |
|-----------|---------------|----------|-----------|
| Model No: | LYNX-MK124 UM | Revision | VER090277 |
| Drawn By: | CHUSUO.SCH | Sheet | 4 of 10 |
| Drawn By: | FELIUN.GUO | Sheet | 4 of 10 |

Total
MN1

Size: A3
Date: 10-AGZ-2009
File: CHUSUO.SCH

7

6

5

4

3

2

1

D

C

B

A

8

7

6

5

4

3

2

1

D

C

B

A

8

7

6

5

4

3

2

1

D

C

B

A

8

7

6

5

4

3

2

1

D

C

B

A

8

7

6

5

4

3

2

1

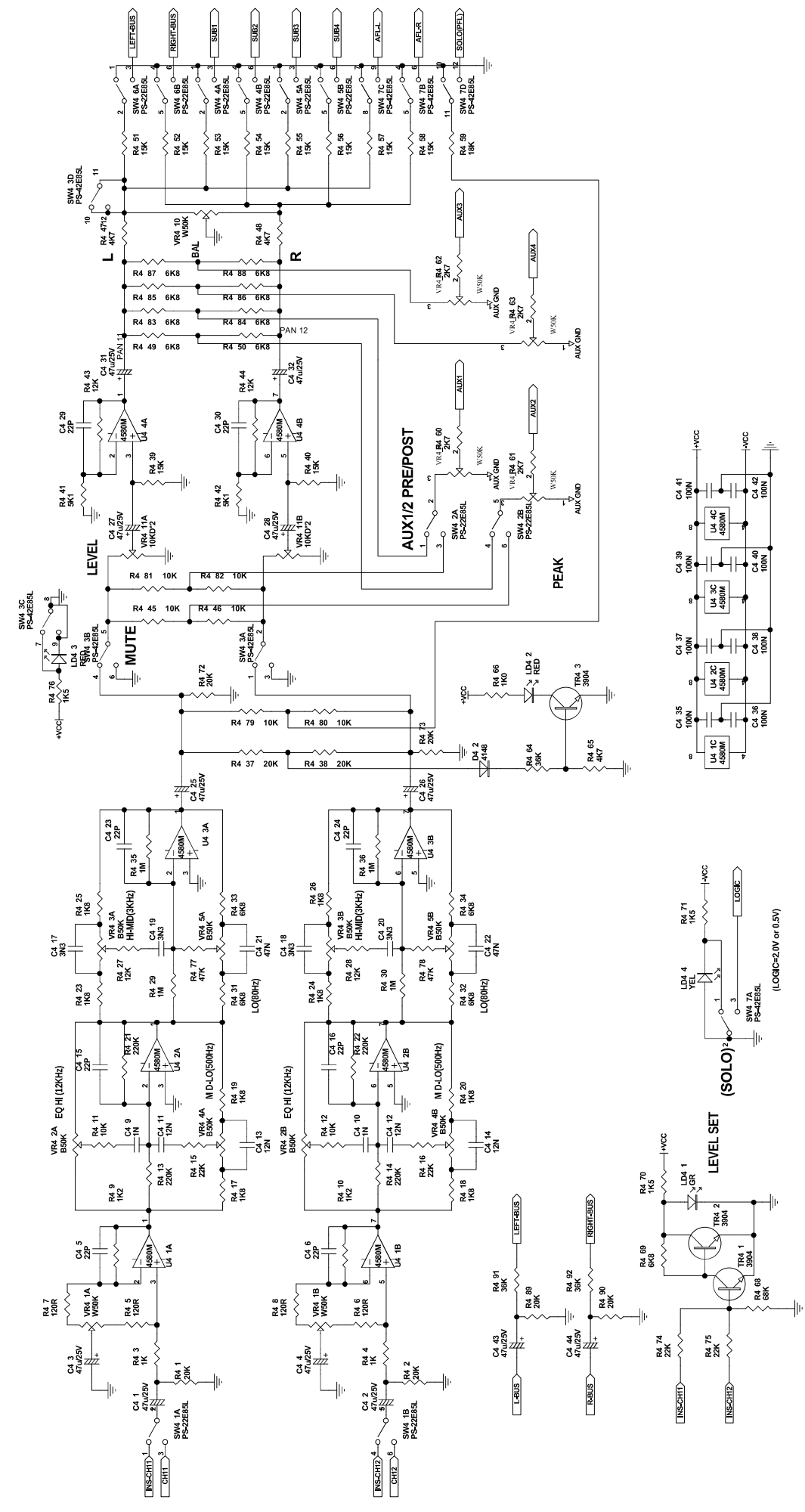
D

C

B

A

LYNX-MIX124 USB/UM_MN1(5/10)

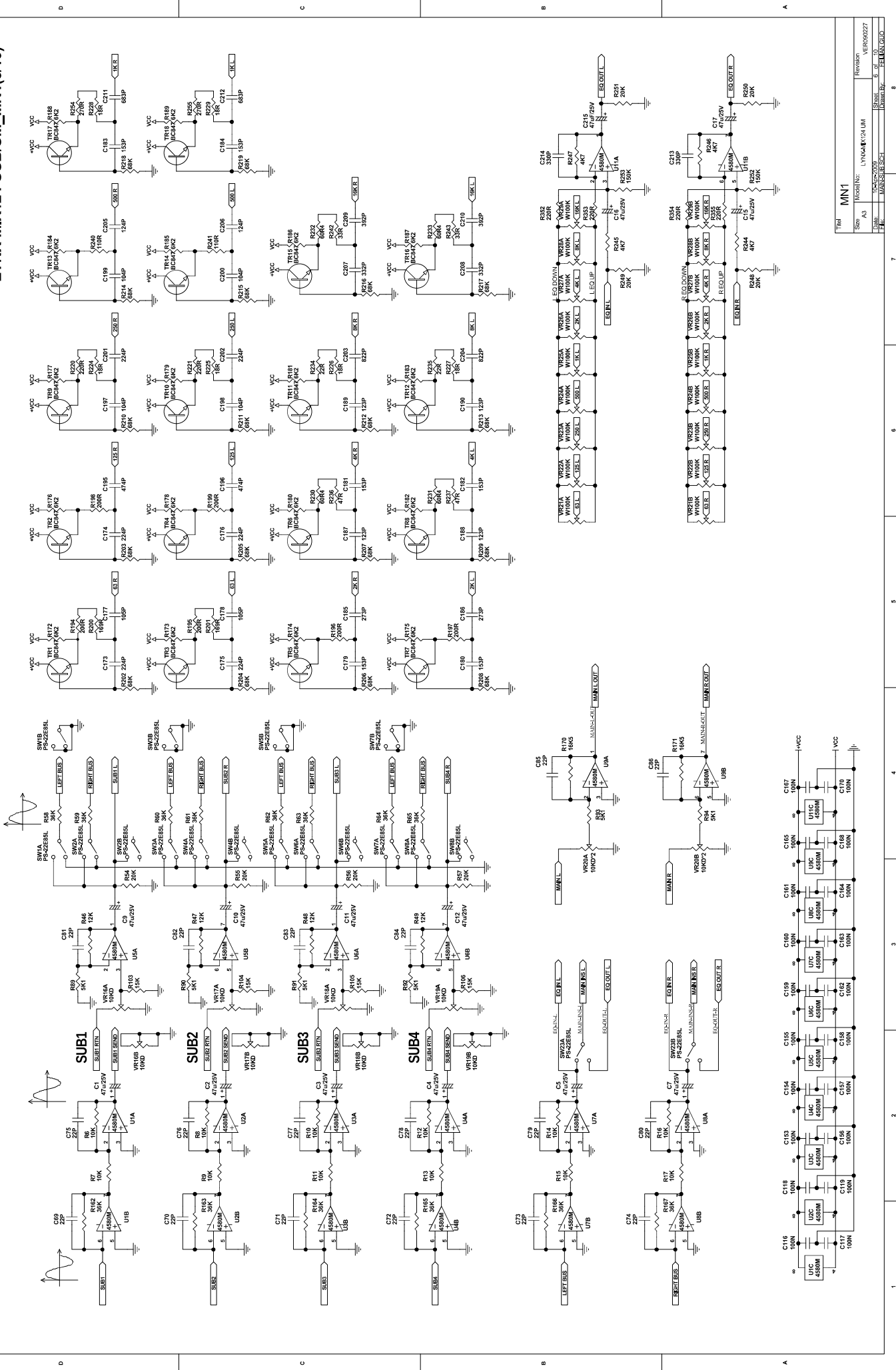


| | | | |
|-------|------------|-----------|----------------|
| Total | MN1 | | |
| Size | A3 | Model No: | LYNX-MIX124 UM |
| Drawn | TCAGZ-2009 | Revision | VER090227 |
| File: | CHT124.SCH | Sheet | 5 of 10 |
| | | Drawn By: | FEIJIAN GUO |

1 2 3 4 5 6 7 8

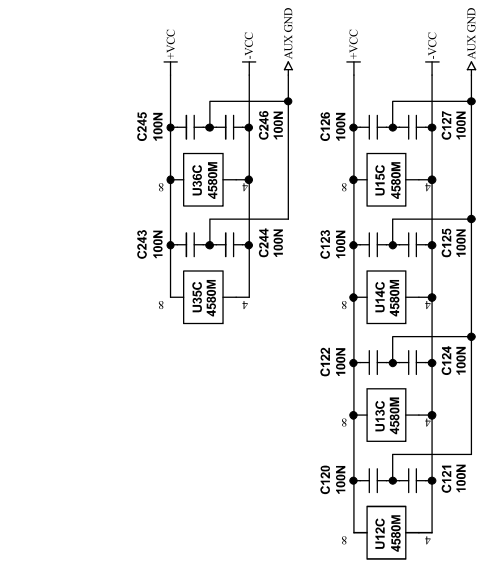
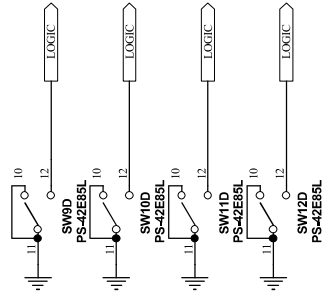
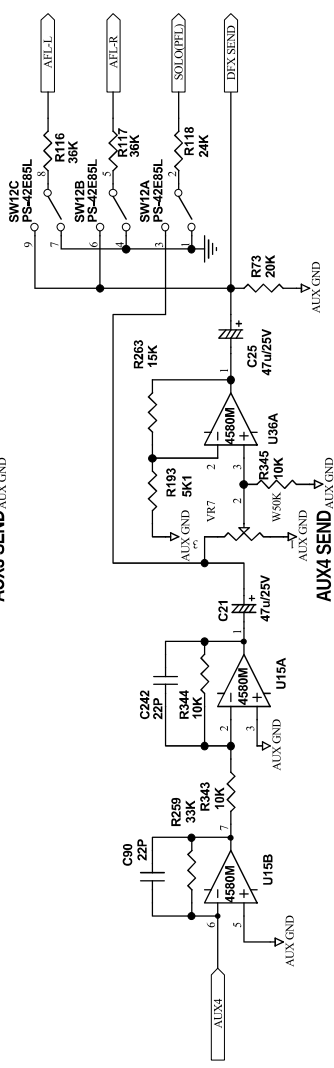
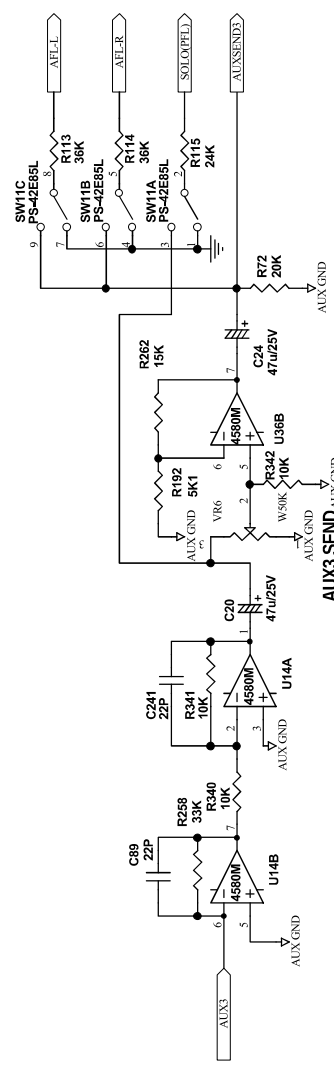
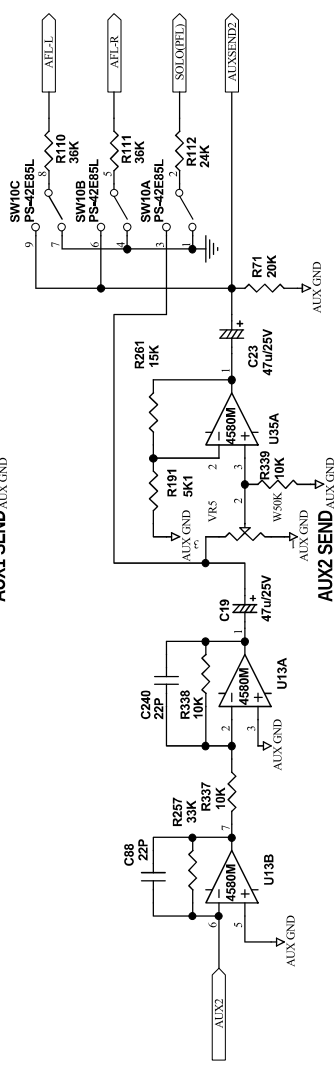
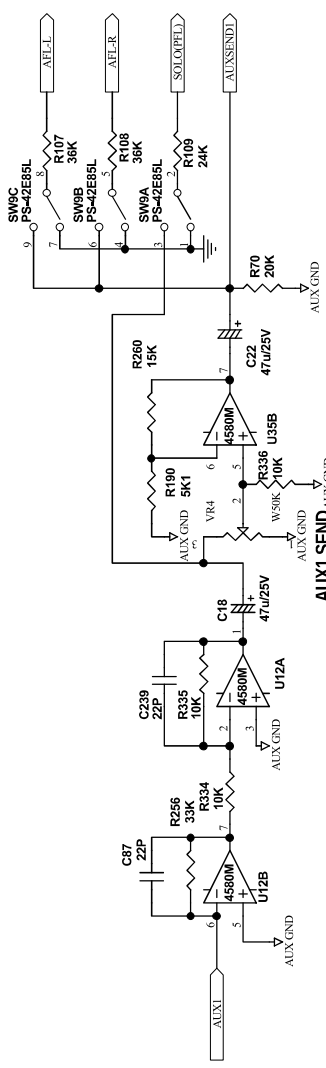
D C B A

LYNX-MIX124 USB/UM_MN1(6/10)



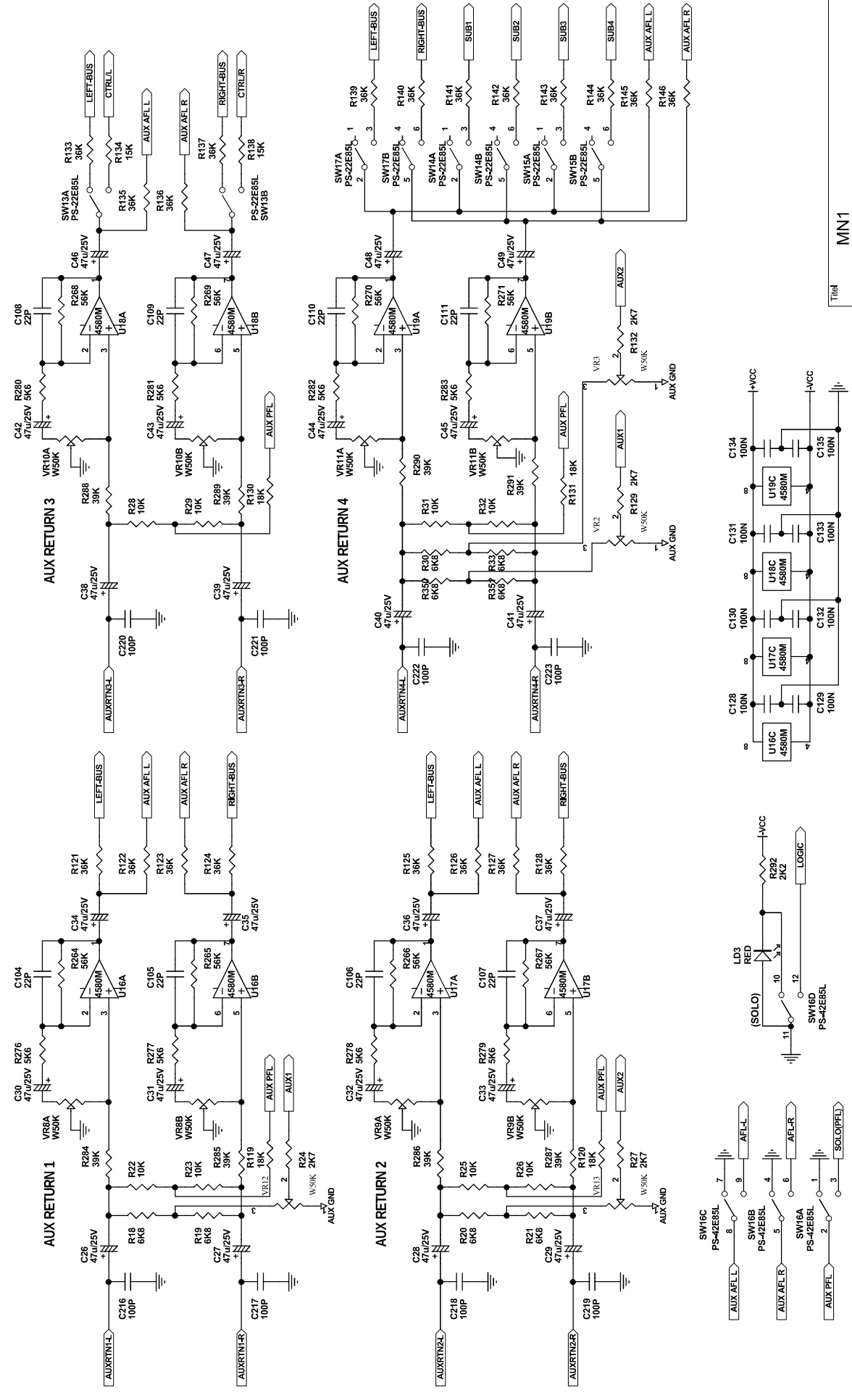
| Item | Model No. | Revision |
|-----------|--------------------|-------------|
| MN1 | LYNX-MIX124 UM | VER09/02/22 |
| Size | A3 | VER09/02/22 |
| File | LYNX-MIX124_UM_SCH | REV. 6 |
| File Path | LYNX-MIX124_UM_SCH | FILE NO. |

LYNX-MIX124 USB/UM_MN1(7/10)



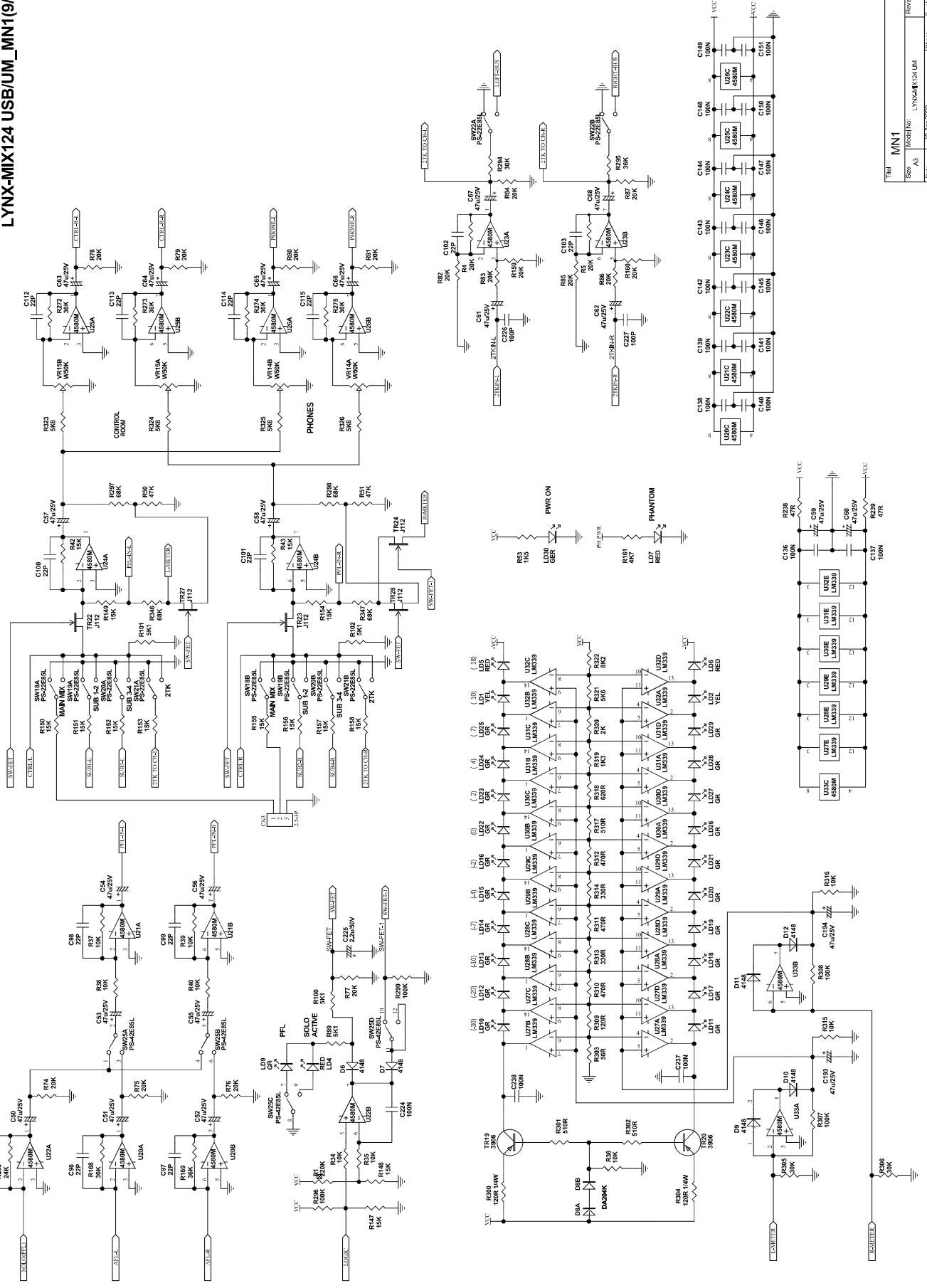
| | | | |
|-------|--------------|-----------|----------------|
| Title | | MN1 | |
| Size | A3 | Model No. | LYNX-MIX124 UM |
| Date: | 10Apr2009 | Revision | VER09027 |
| File: | AUX_SEND.SCH | Sheet | 7 of 10 |
| | | Drawn By: | FEJUAN GUO |

LYNX-MIX124 USB/UM_MN1(8/10)



| | | | |
|-------|------------|-----------|----------------|
| Title | | MN1 | |
| Size | A3 | Model No. | LYNX-MIX124 UM |
| Date: | 10Apr2009 | Revision | VER090227 |
| File: | AUX_RTNSCH | Sheet | 8 of 10 |
| | | Drawn By: | FEIJUAN GUO |

LYNX-MIX124 USB/UM_MN1(9/10)

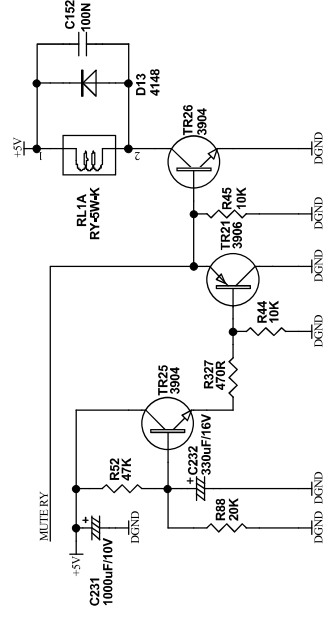
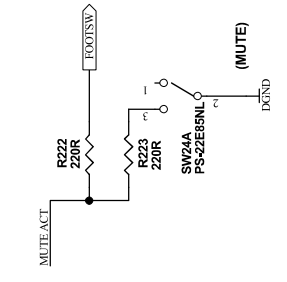
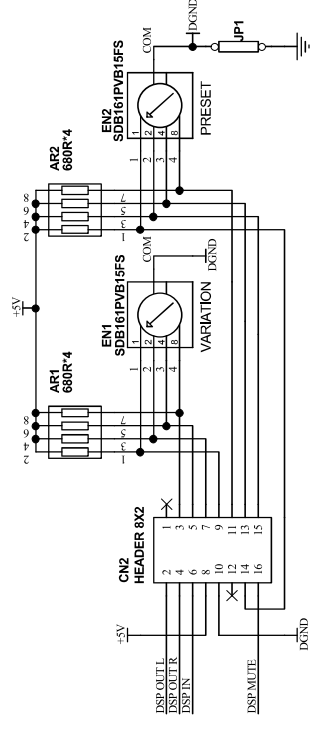
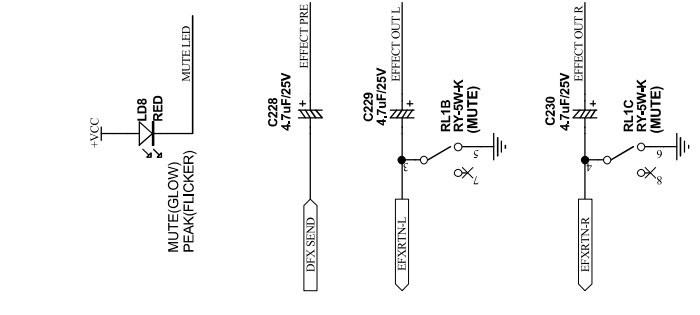
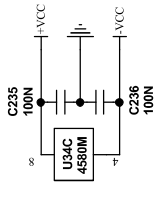
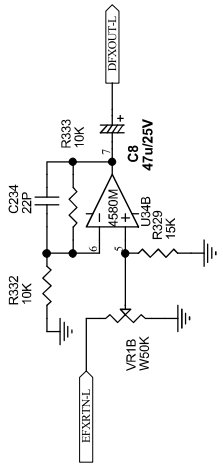
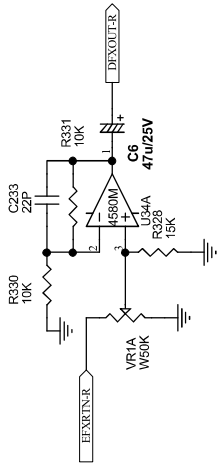


| | | | |
|-----------|----------------|----------|----------------|
| Model No. | LYNX-MIX124 LM | Revision | VER090227 |
| Doc No. | KS-2009-0001 | Sheet | 9 / 9 |
| File | C:\KS-COM\KS1 | Author | HAJIKI, G.I.O. |

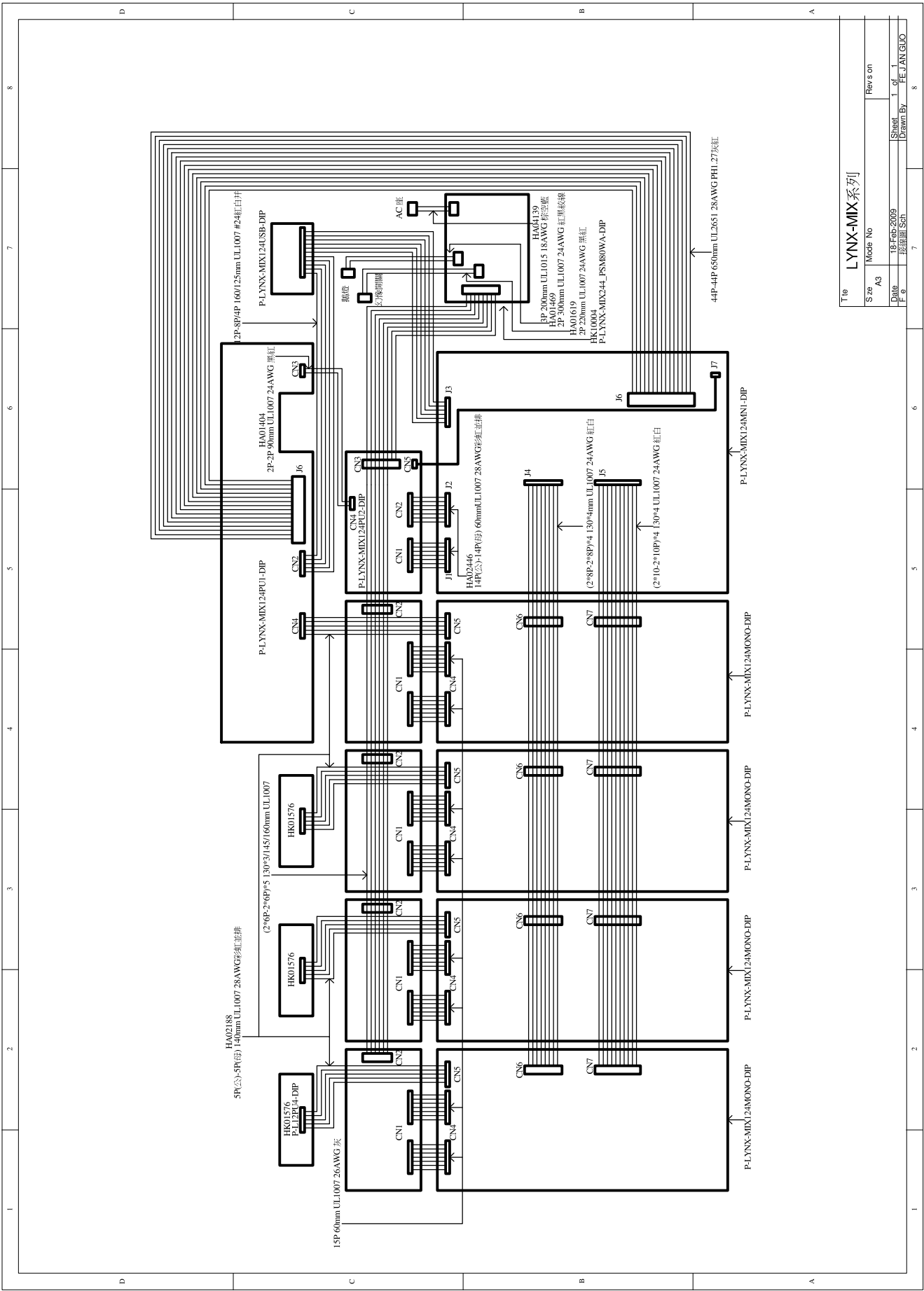
MN1

1 2 3 4 5 6 7 8

LYNX-MIX124 USB/UM_MN1(10/10)

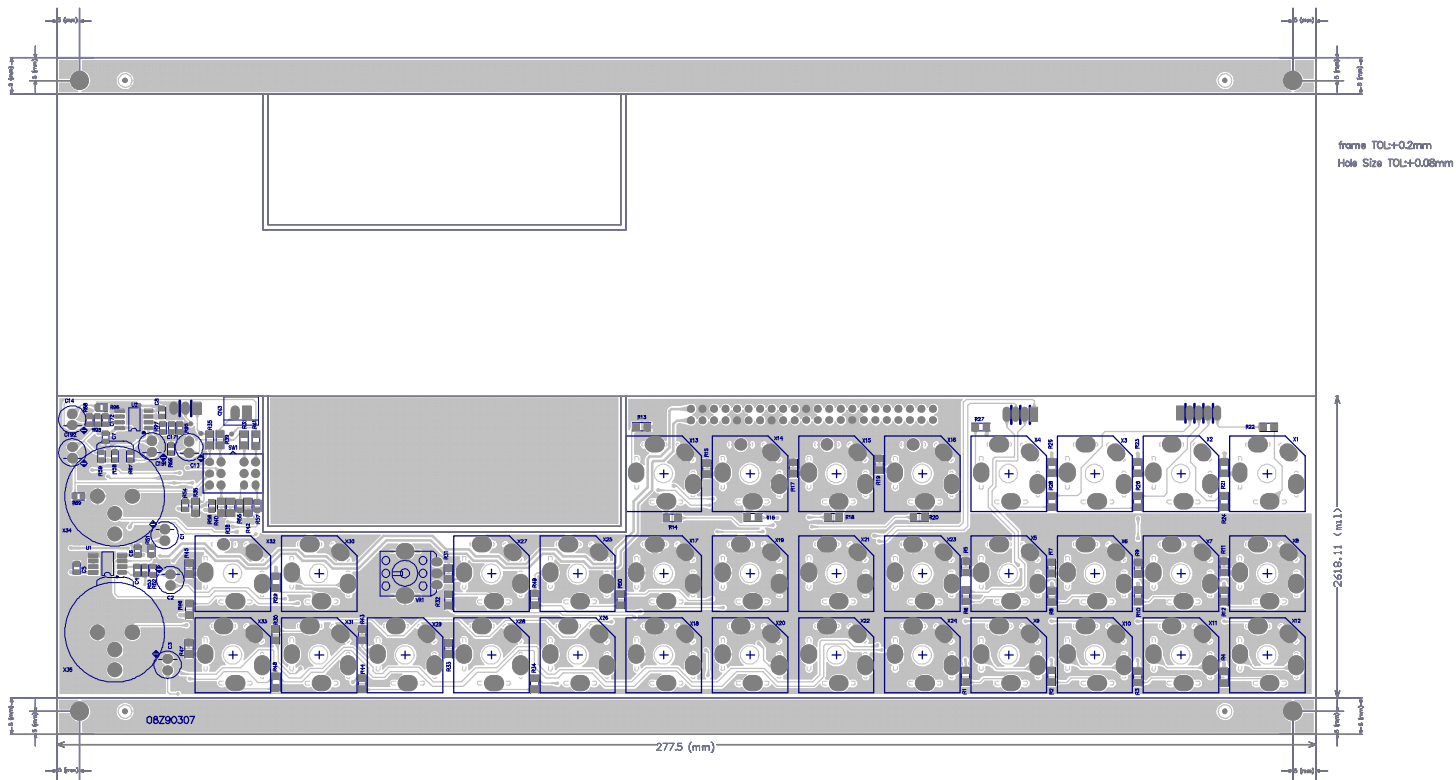
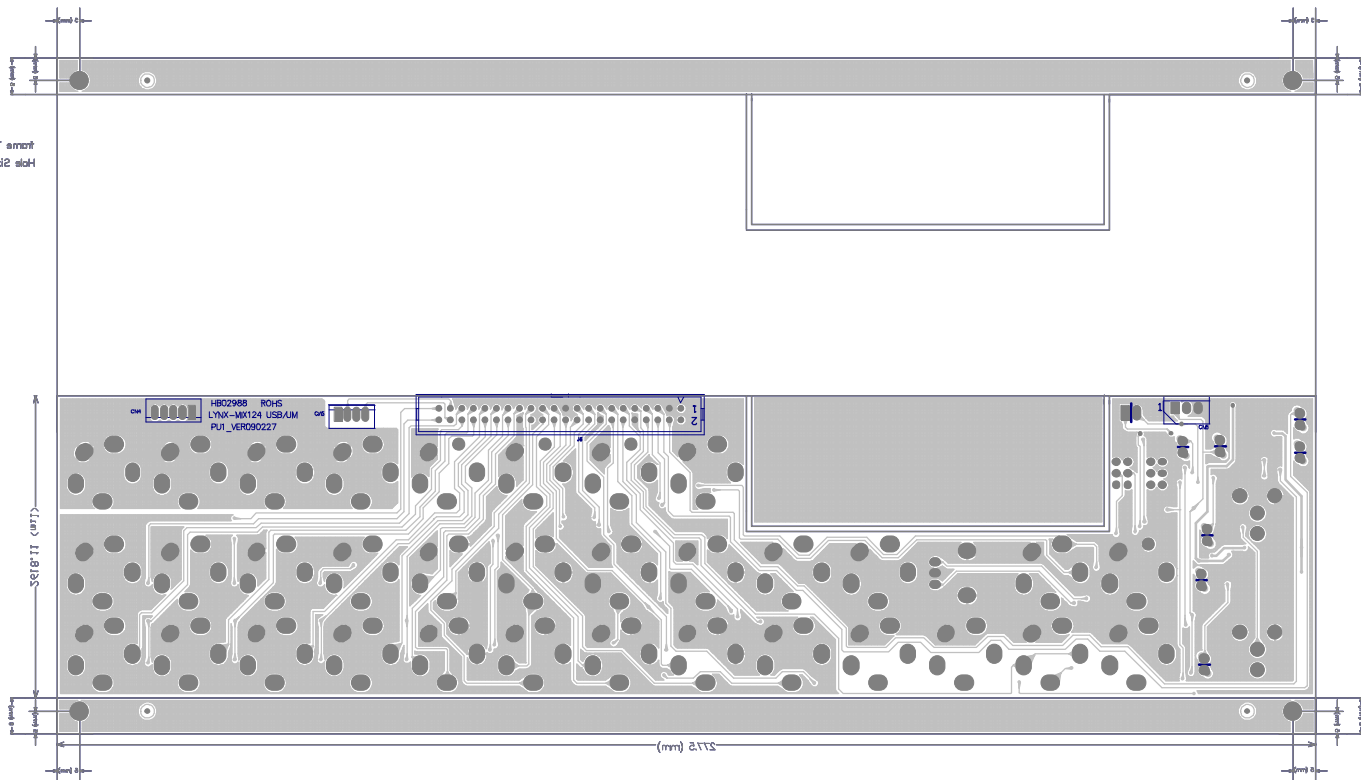


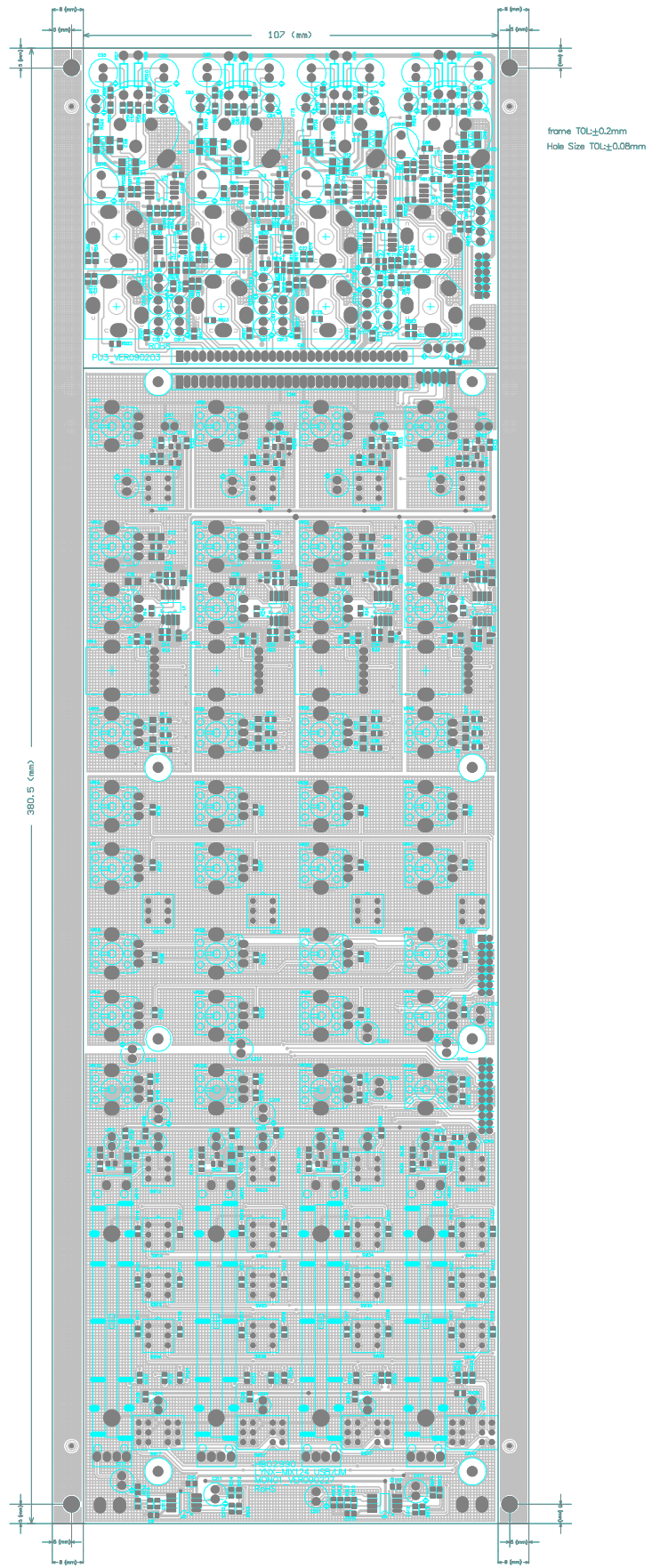
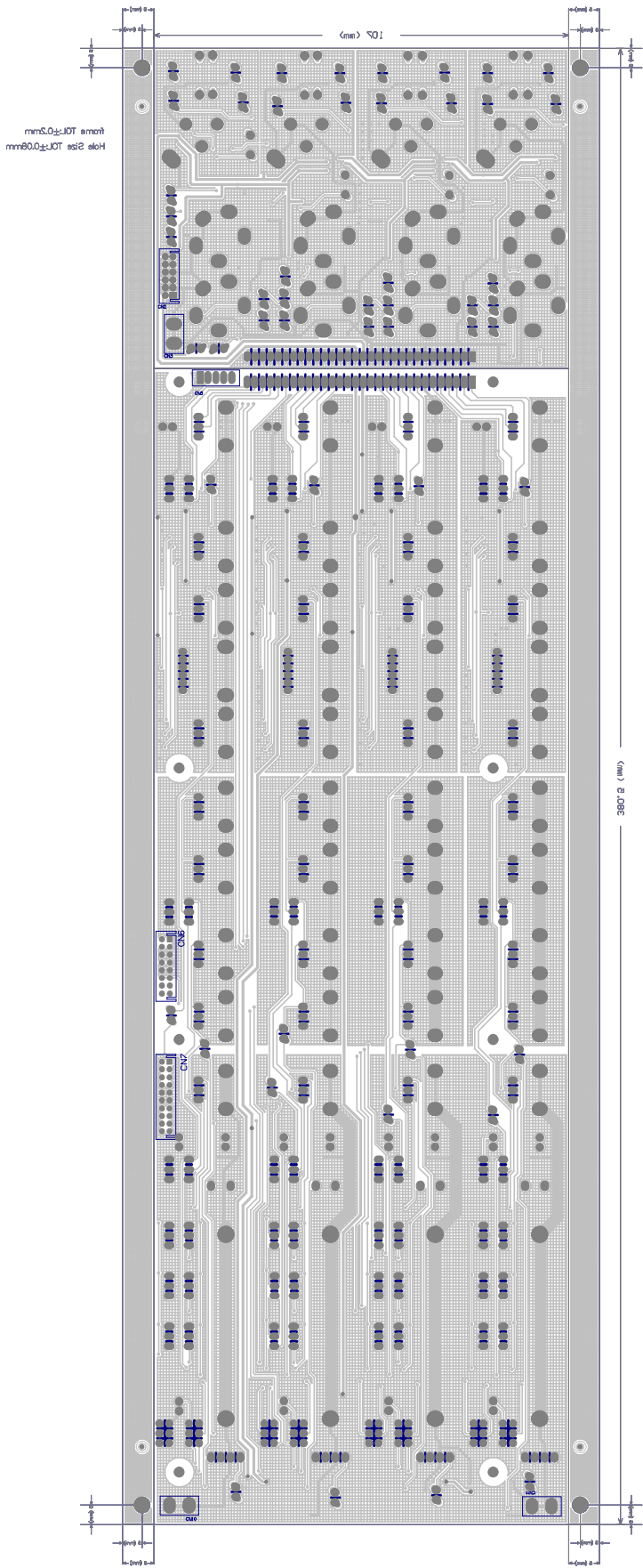
| | | | |
|----------|-------------|-----------|----------------|
| Title | | MN1 | |
| Size | A3 | Model No. | LYNX-MIX124 UM |
| Revision | VER090227 | Sheet | 10 of 10 |
| Date: | 10-Apr-2009 | Drawn By: | FEJUAN GUO |
| File: | DSP.SCH | | |

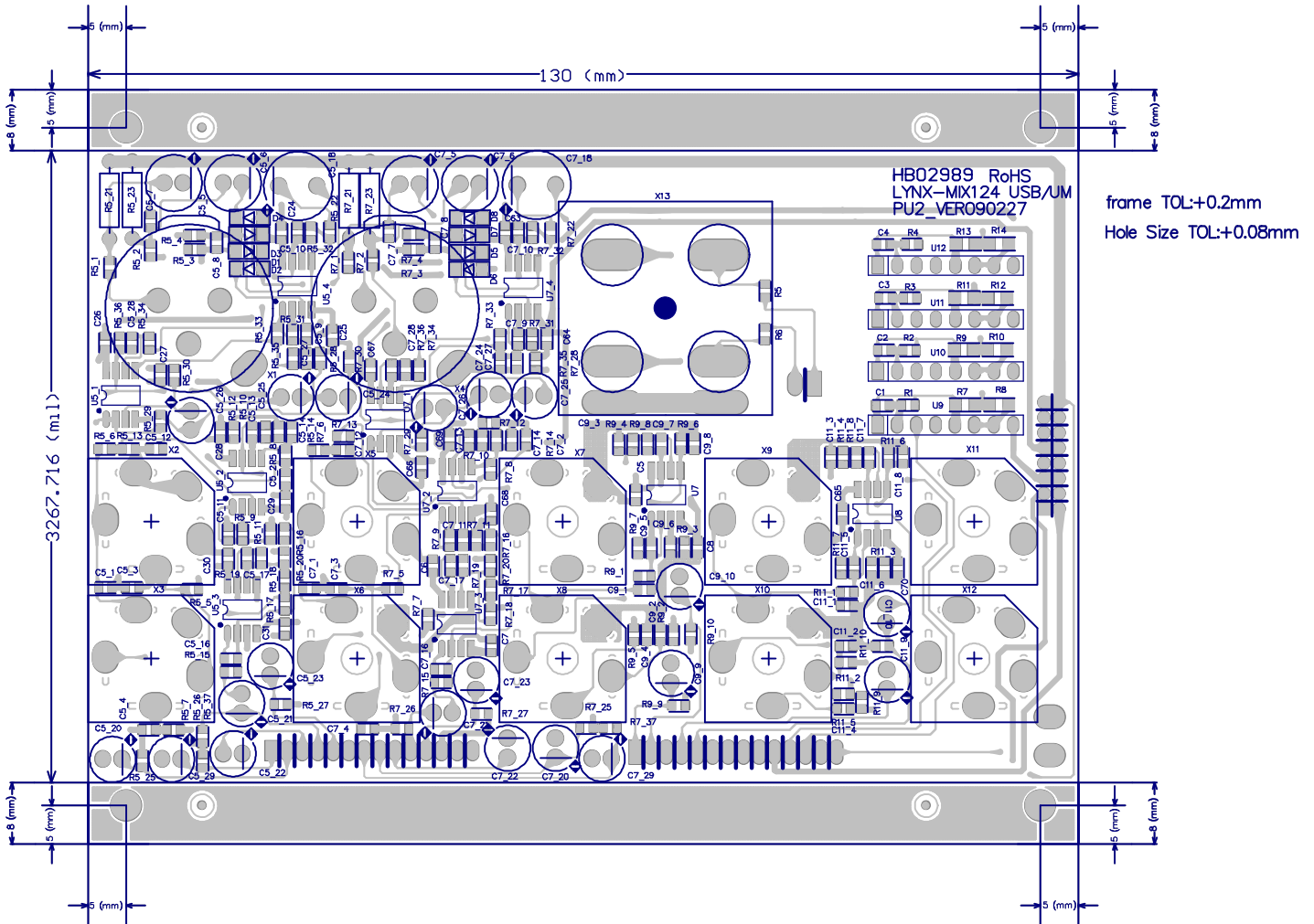
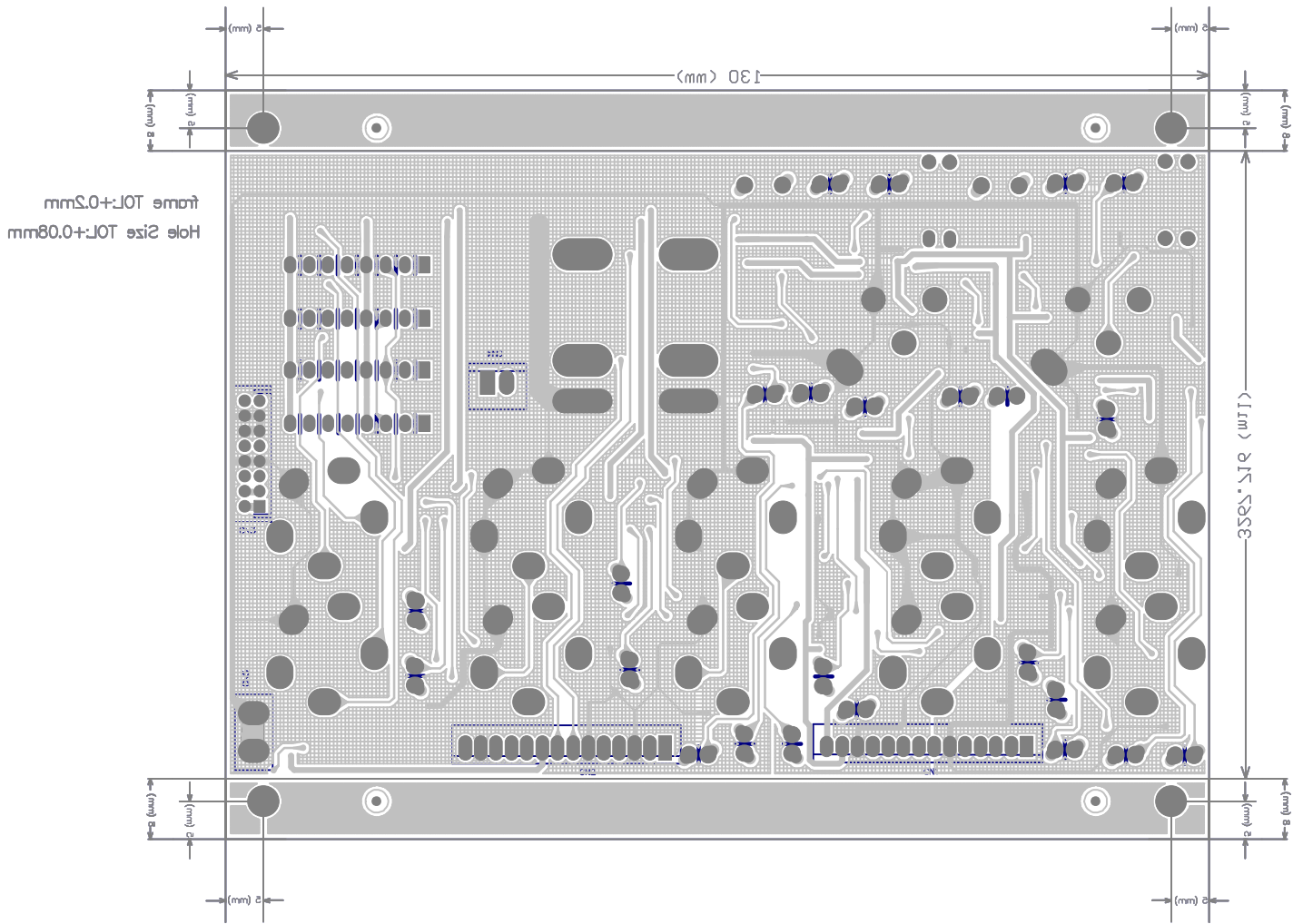


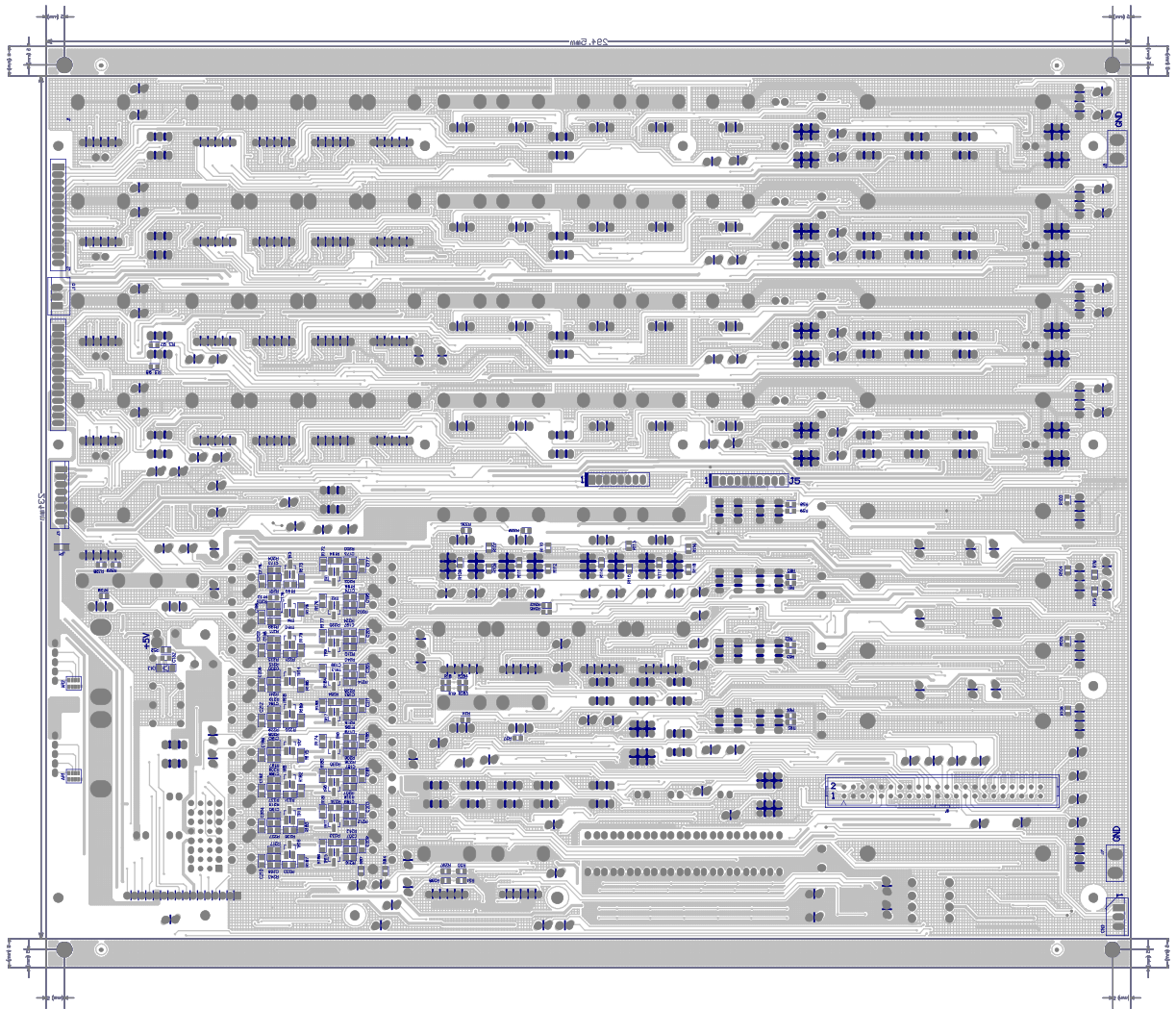
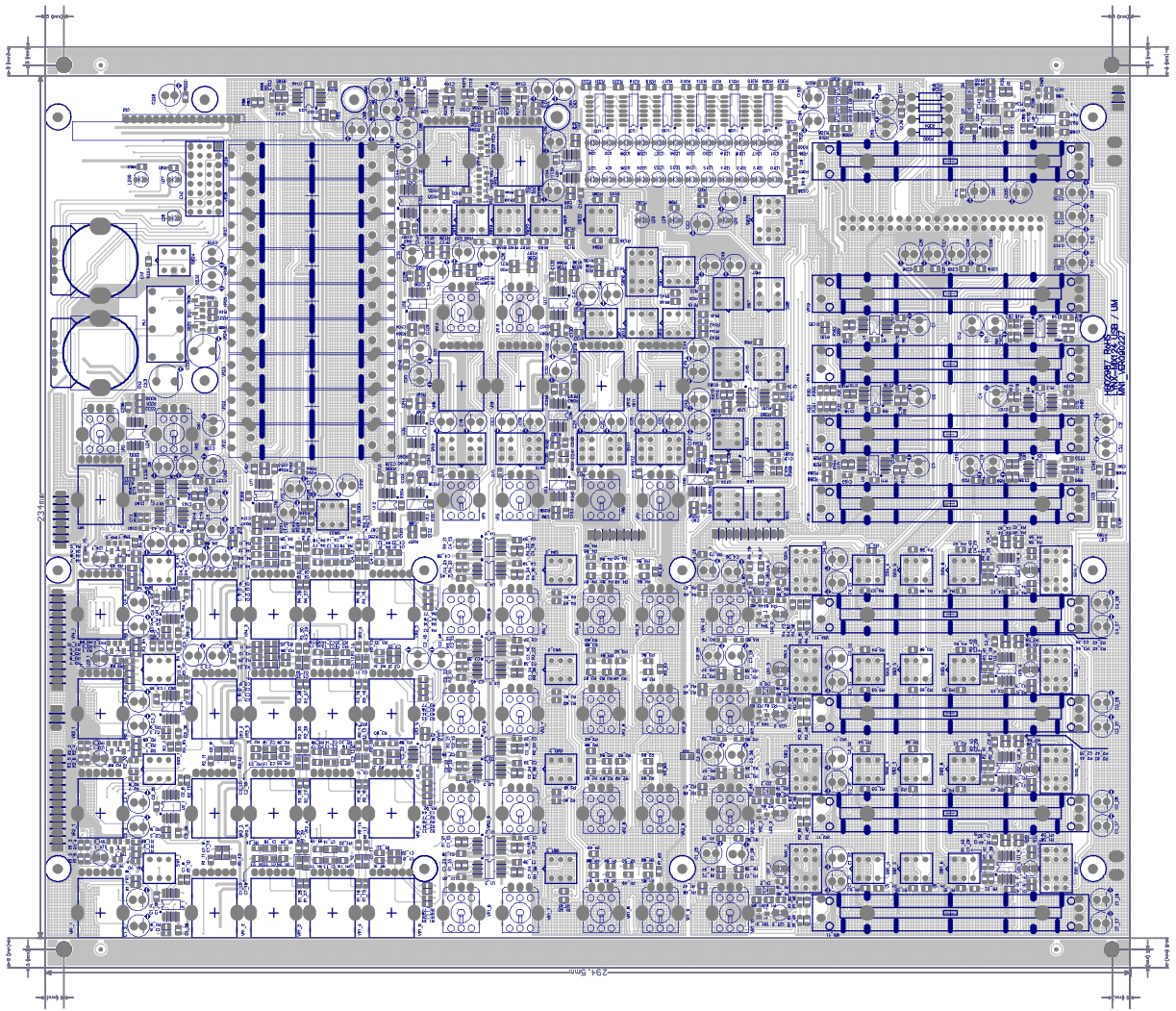
| | | | |
|-------|-------------|-------------|-------------|
| Title | | LYNX-MIX 系列 | |
| Size | Mode No | Revision | |
| A3 | | | |
| Date | 18-Feb-2009 | Sheet | 1 of 1 |
| File | 接線圖 Sch | Drawn By | FEI JAN GUO |

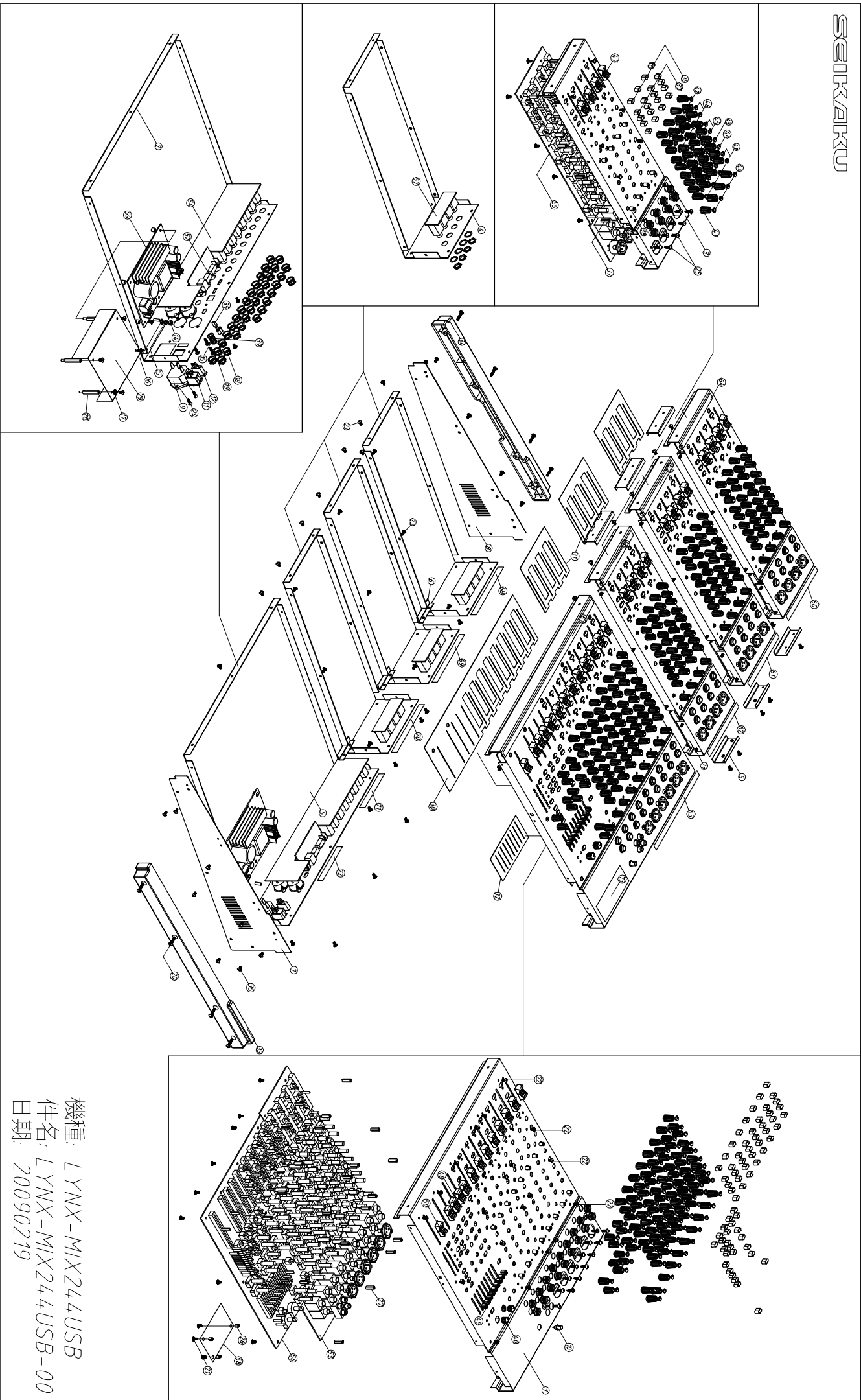
mms0.0+JOT ament
mm80.0+JOT asi2 sloH



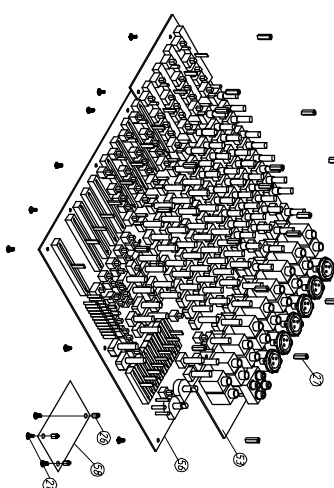
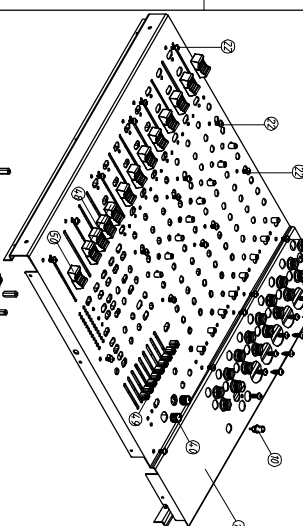
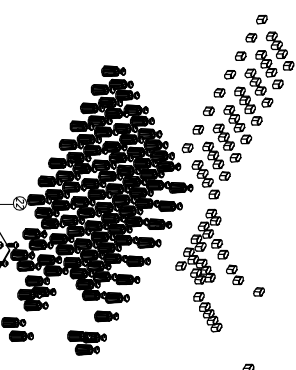
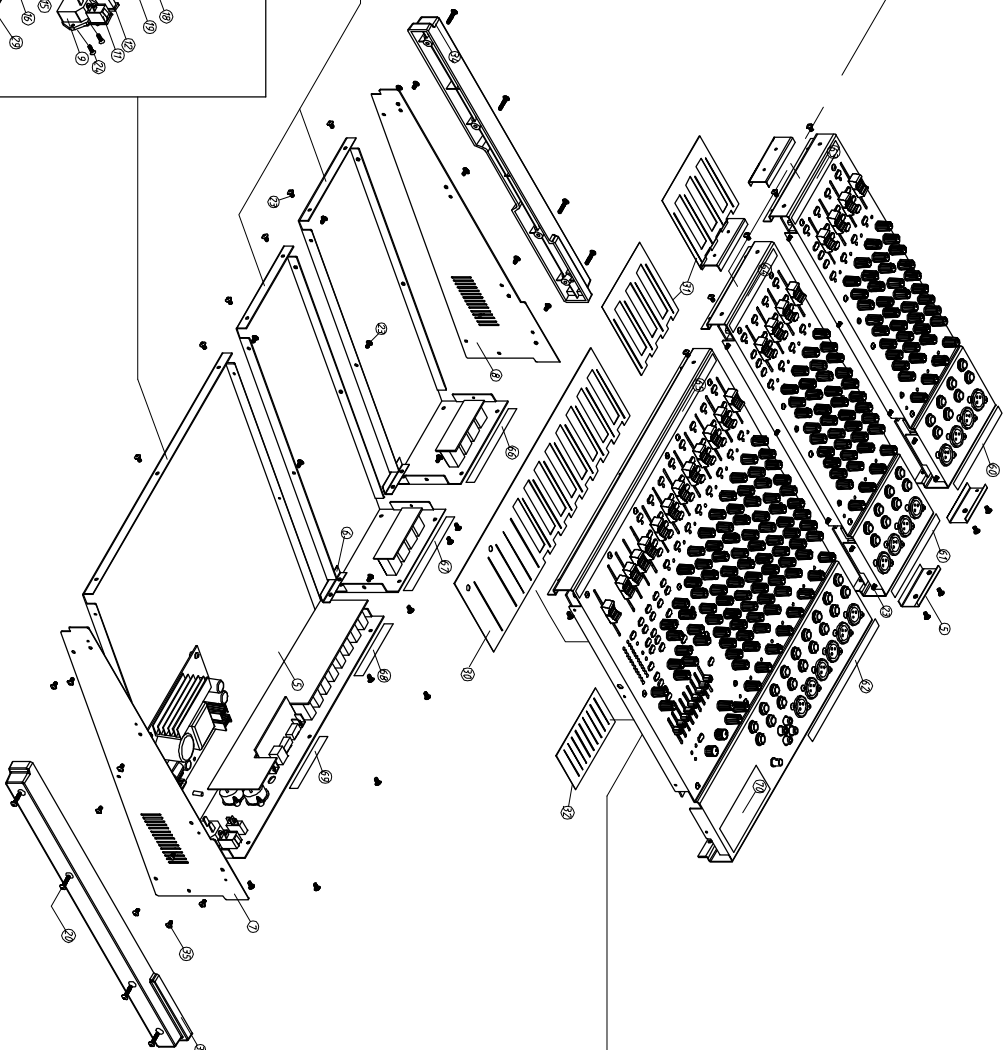
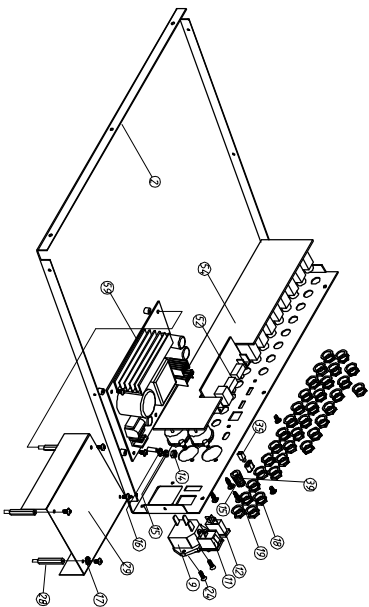
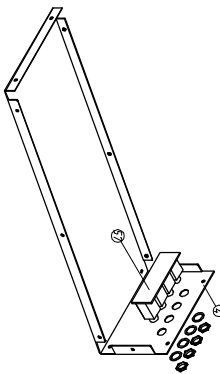
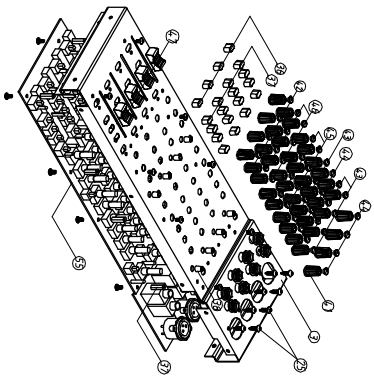




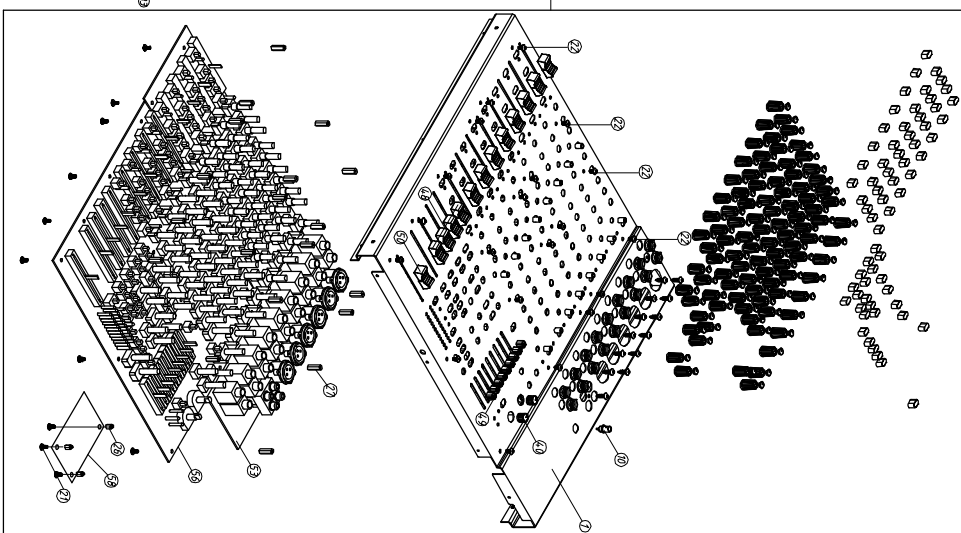
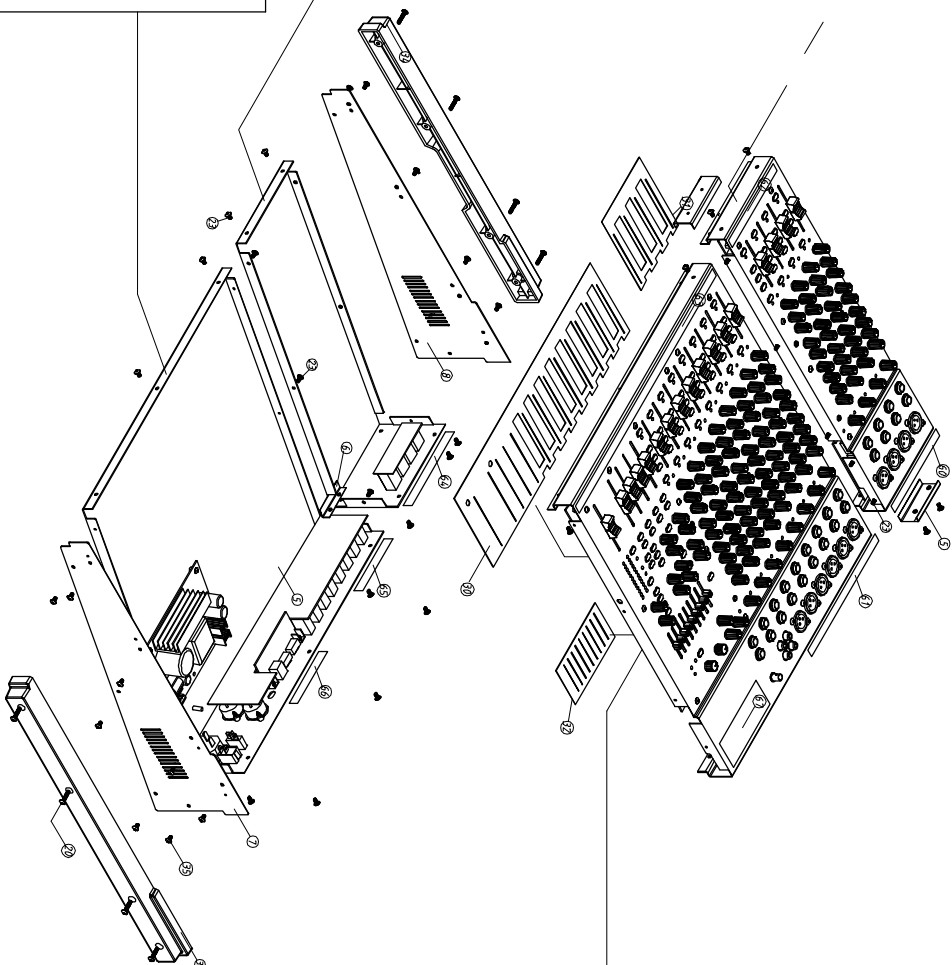
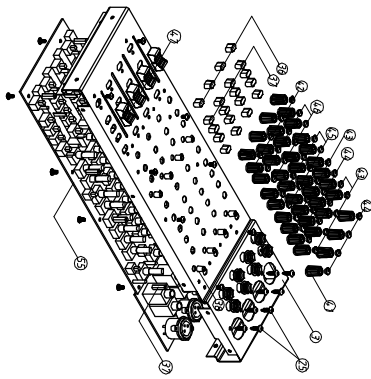
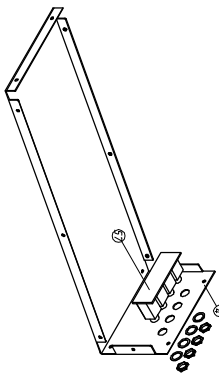
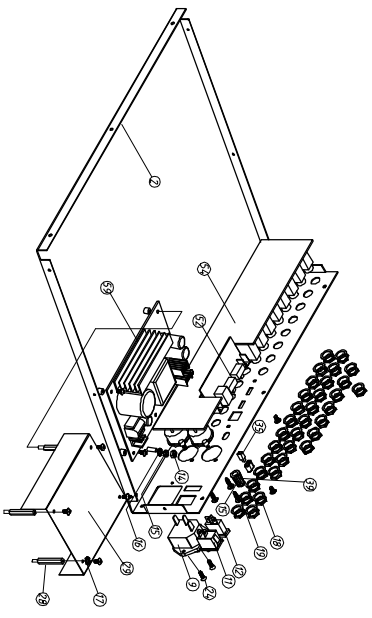




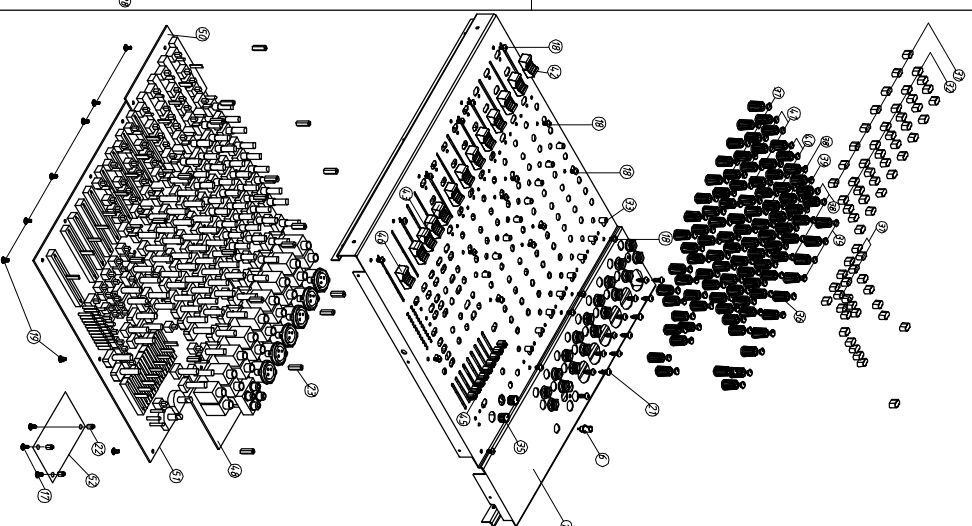
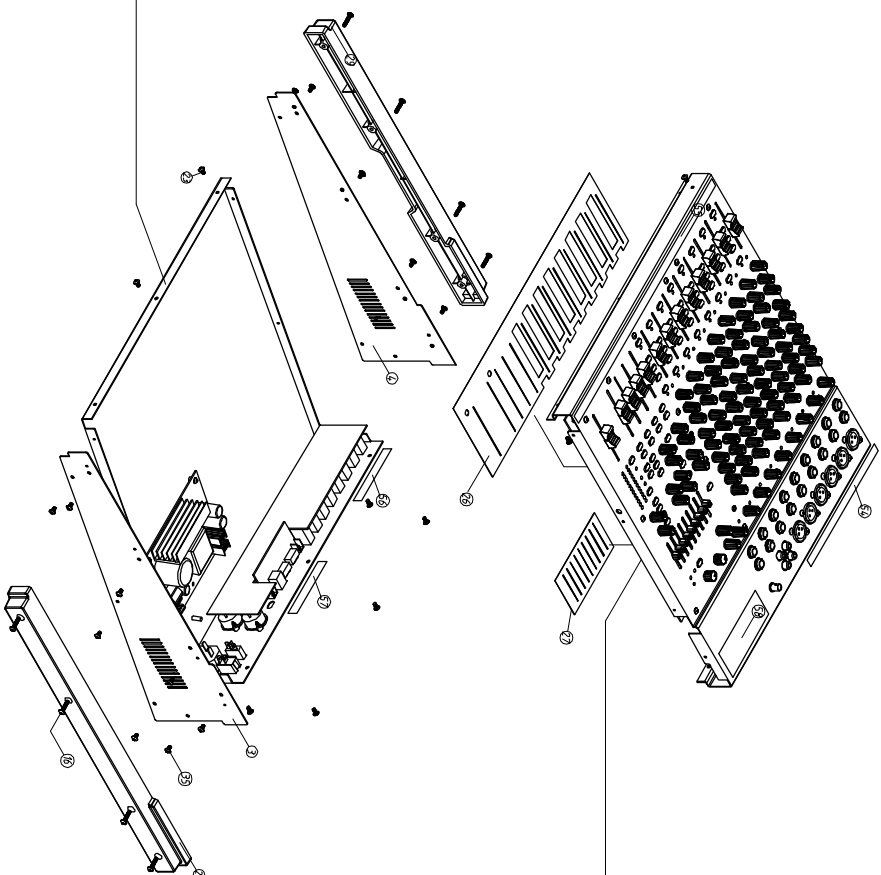
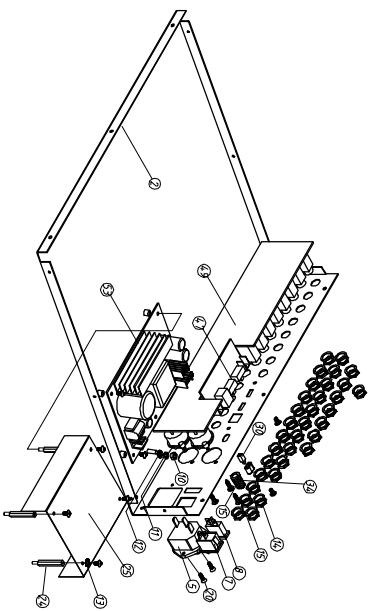
機種: LYNX-MIX244USB
 件名: LYNX-MIX244USB-00
 日期: 20090219



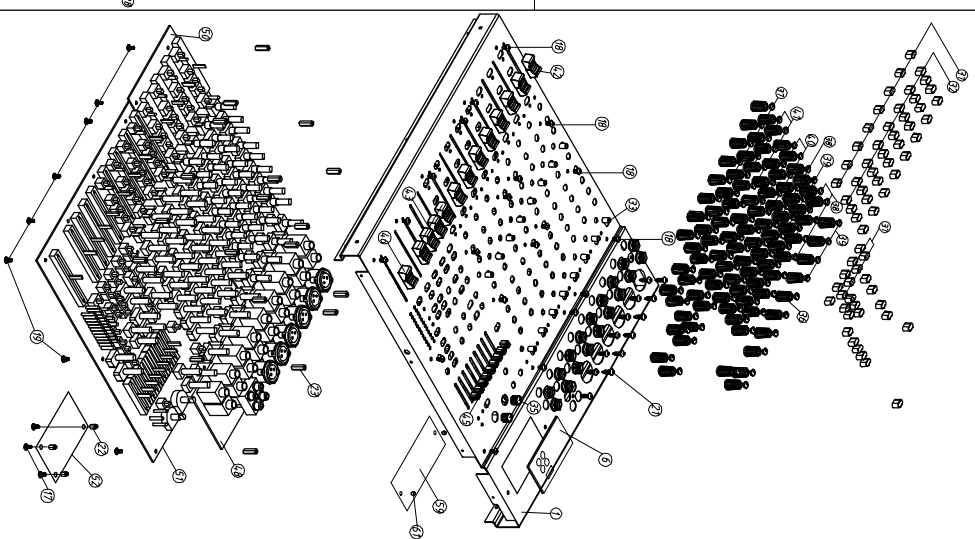
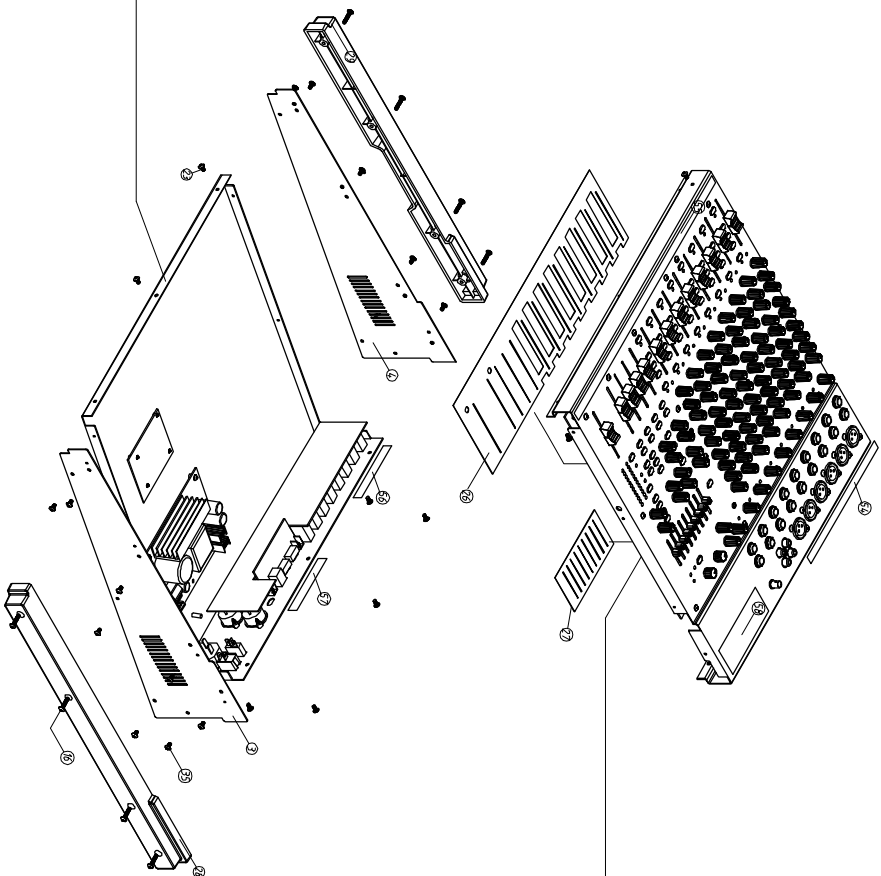
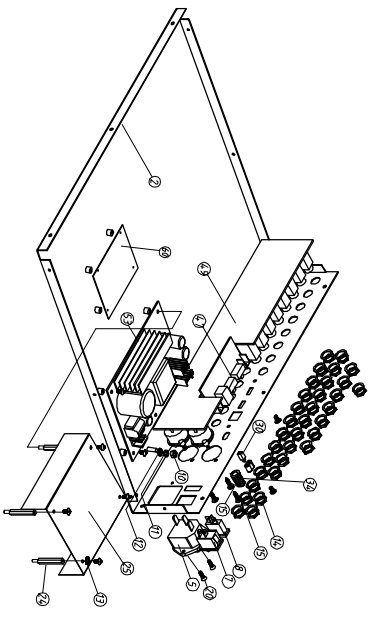
機種: LYNX-MIX204USB
 件名: LYNX-MIX204USB-00
 日期: 20090219



機種: LYNX-MIX164USB
 件名: LYNX-MIX164USB-00
 日期: 20090219



機種: LYNX-MIX124USB
 件名: LYNX-MIX124USB-00
 日期: 20090219



機種: LYNX-MIX124UM MKII
 件名: LYNX-MIX124UM MKII-00
 日期: 20090219

