

Service *Manual*

MODEL: LYNX-MIX124/164/204 USB MKII

LYNX-MIX124 UM MKII/LYNX-MIX244 USB

Service *Manual*

CONTENT

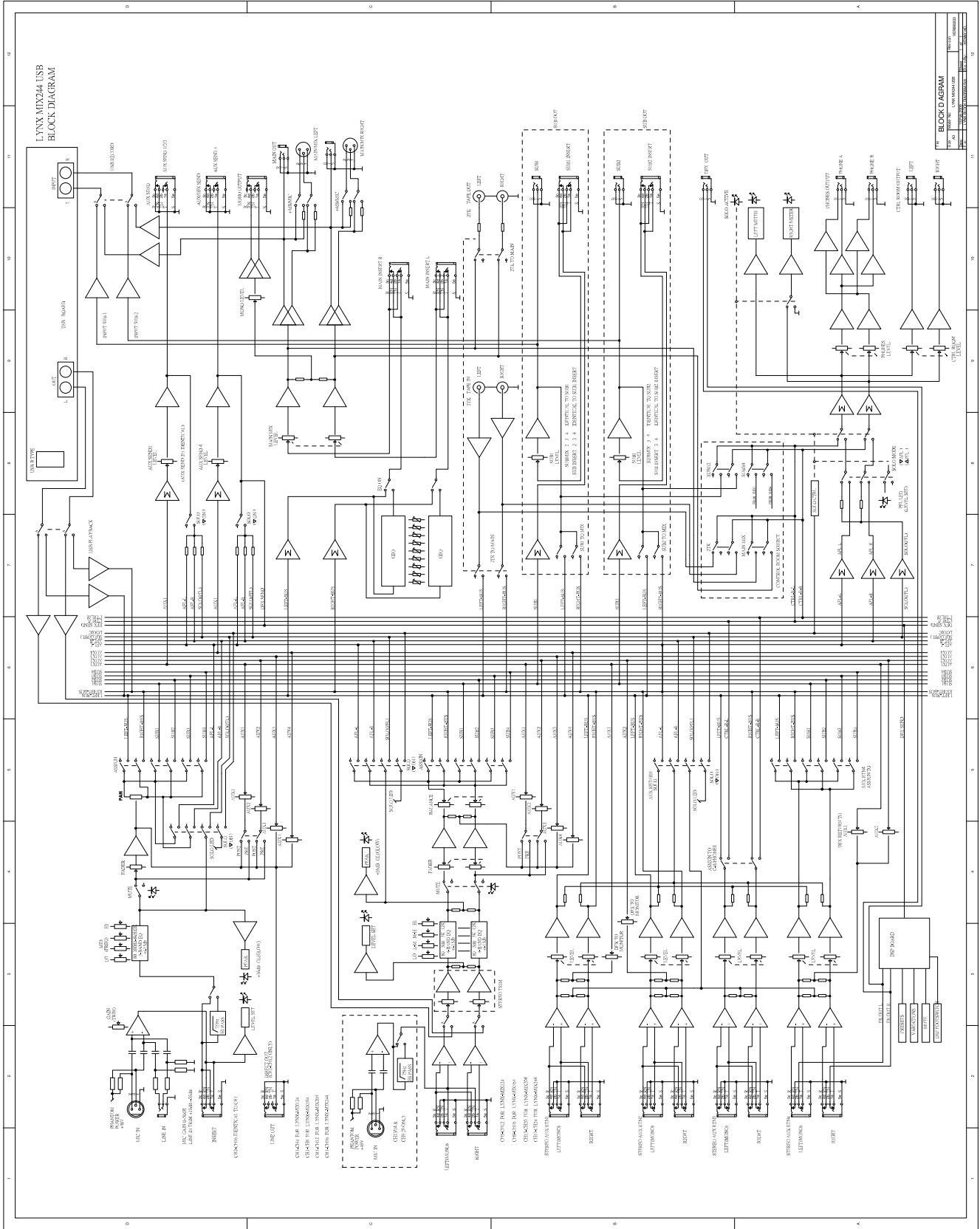
1. INTRODUCTION.....	1
2. TECHNICAL SPECIFICATIONS.....	2
3. BLOCK DIAGRAM & SCHEMATIC DIAGRAM.....	4
4. PCB LAYOUT.....	26
5. EXPLODED VIEW & PARTS LIST	30
6. BOM.....	37

1 INTRODUCTION

LYNX-MIX124 USB 12(LYNX-MIX164 USB 16/LYNX-MIX204 USB 20/LYNX-MIX244 USB 24) channels mix with digital effect built-in, the features are as follows:

1. Gold-plated XLR and balanced LINE inputs for 6/10/14 MIC input channels
2. Balanced TRS connector for 4 stereo inputs
3. Ultra-low noise MIC preamp with +48V phantom power and high-pass filter
4. Precise 60mm fader
5. MUTE, SOLO function, signal LED, CLIP LED and SUB1-2, SUB3-4 & MAIN L-R signal return switch on each input channel
6. 4 AUX sends on each channel: 2 switchable pre/post faders for monitoring and effects: 2 post faders for internal digital DFX or as external send
7. 4-band EQ on stereo channel
8. 3-band EQ on mono channel
9. Inserts, Direct Outputs, Main Mix Insert, Main Mix Insert on each mono channel for external effect device
10. 24-bit DSP effect with 256 effects(16 presets, 16 variations)
11. Stereo 9-band EQ
12. BNC connector for lamp
13. Matrix control room/headphone output
14. 2-TRACK IN assignable to main mix, control room/headphone output
15. Highly accurate 12 segment output level meters
16. With USB port connected to SUB-1 or MAIN MIX output in output mode, connected to CH11/12(CH15/16, CH19/20) or MAIN MIX output in input mode
17. LYNX-MIX124 UM is based on LYNX-MIX124 USB with a function added that play and program MP3 files in U disk

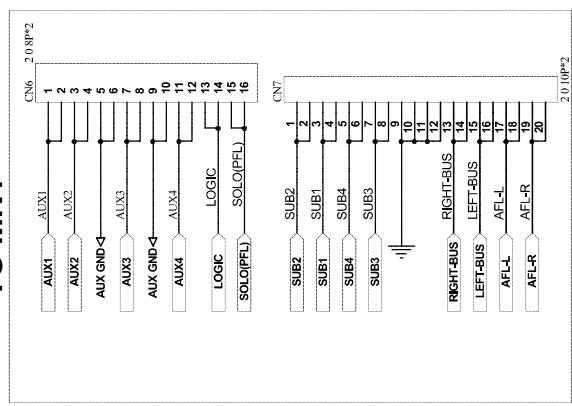
LYNX MIX24 USB
BLOCK DIAGRAM



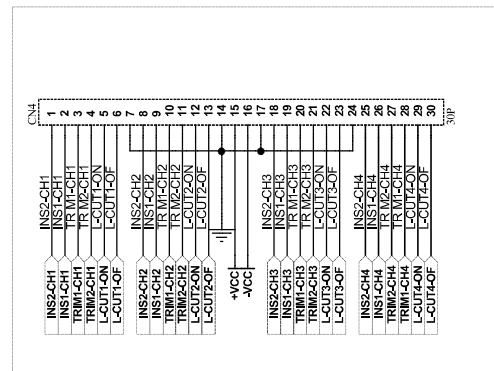
BLOCK DIAGRAM	
Rev. No.	1.00
Date	10/20/2010
Author	...
Checked	...
Approved	...

LYNX-MIX124 USB/UM_MONO(1/6)

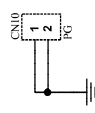
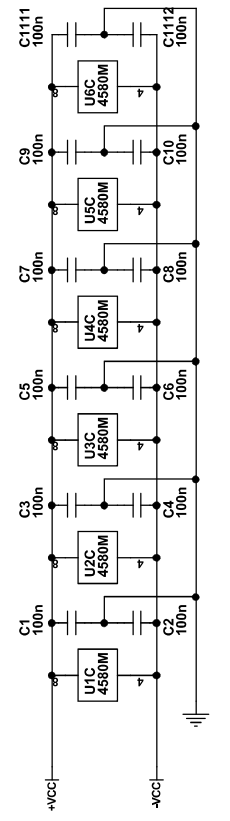
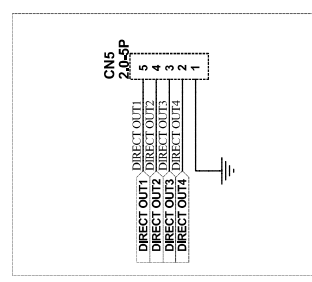
TO MN1



TO PU2



TO DIRECT OUT



MN2_Sch
MN2_S01

MN2_Sch
MN2_S02

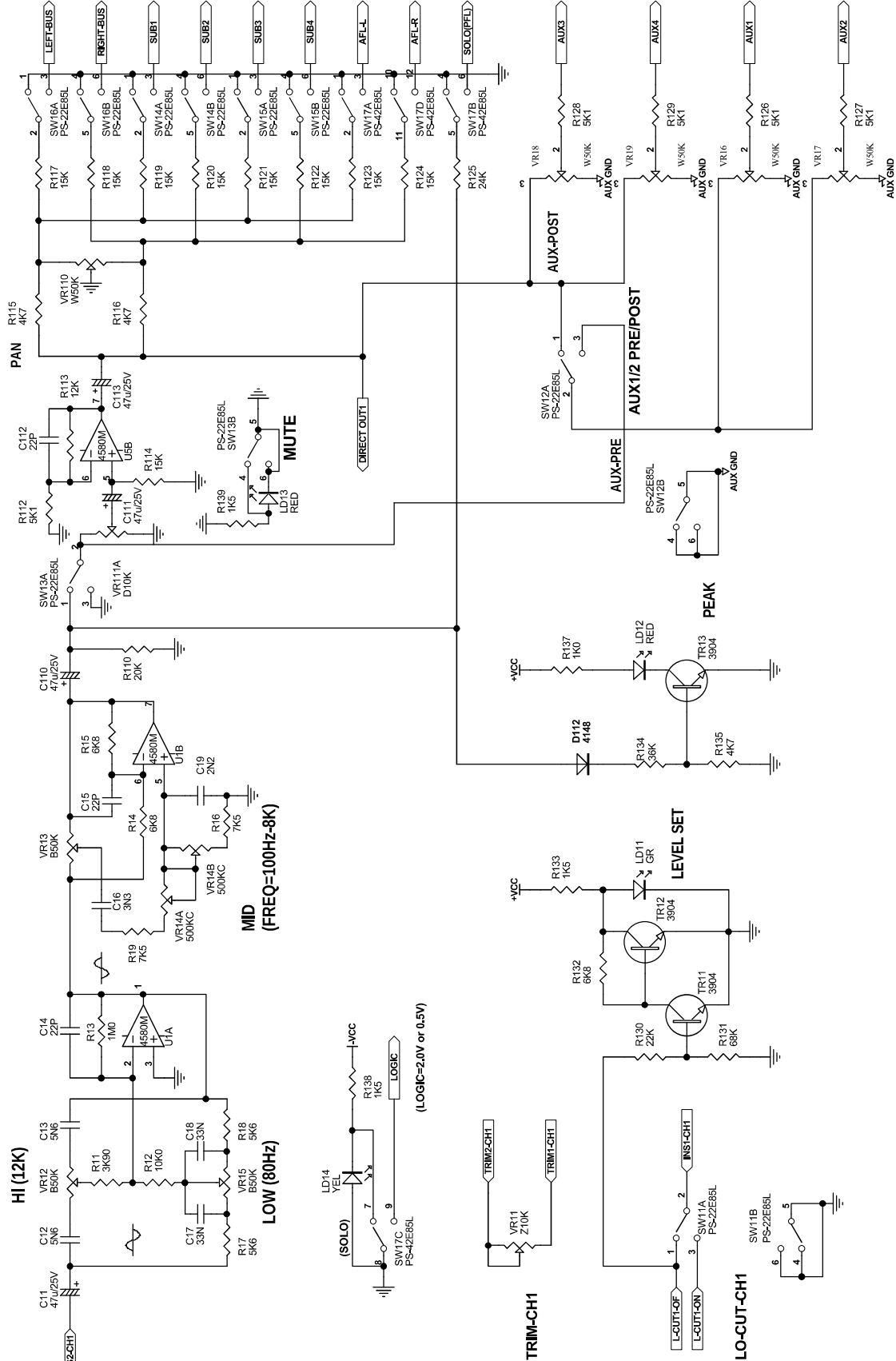
MN2_Sch
MN2_S03

MN2_Sch
MN2_S04

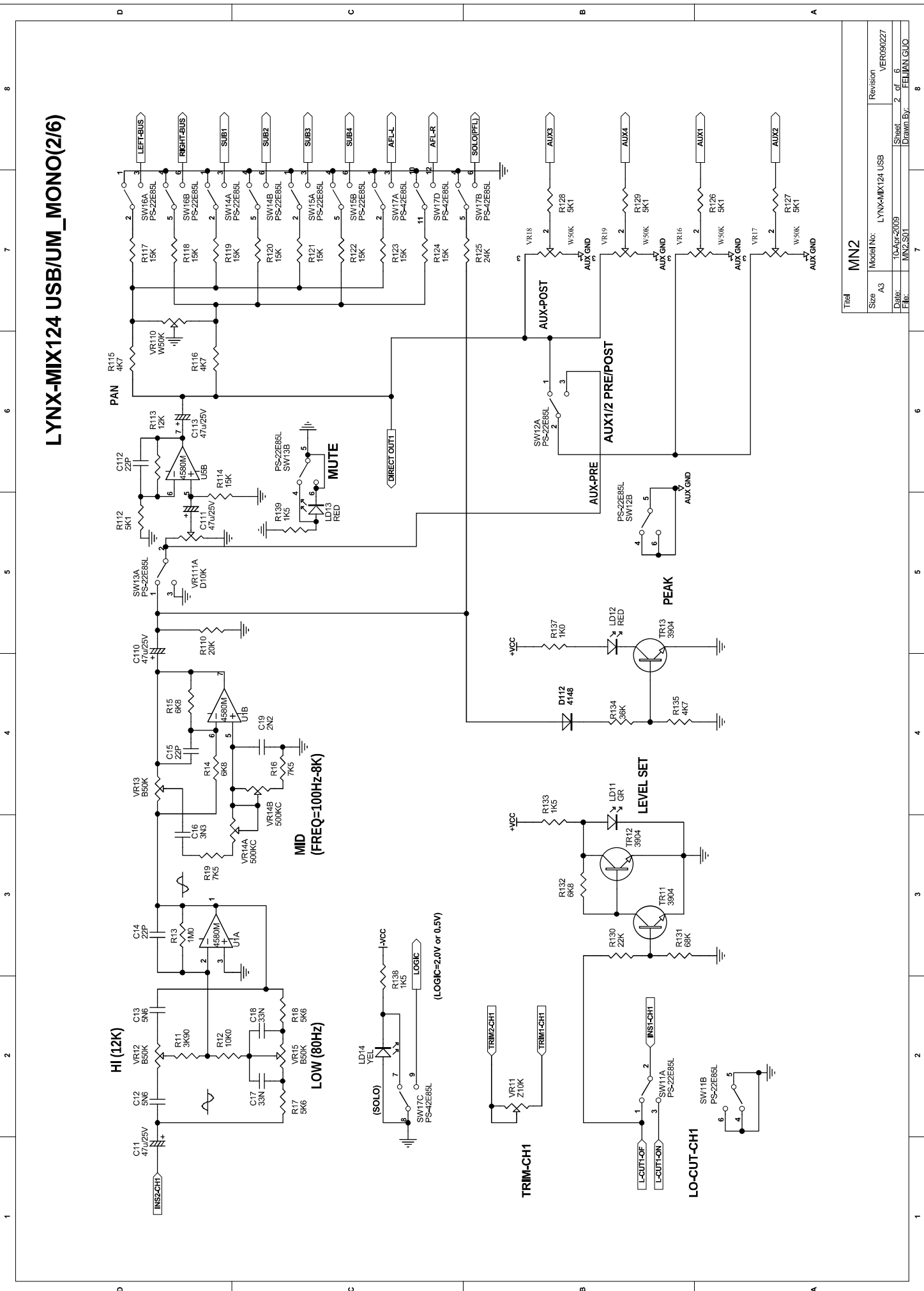
MN2_Sch
PU2_SCH

Title		MN2	
Size	A3	Model No.	LYNX-MIX124 USB
Date:	10-Apr-2009	Revision	VER09027
File:	MN2_Sch	Sheet	1 of 6
		Drawn By:	FEIJIAN GUO

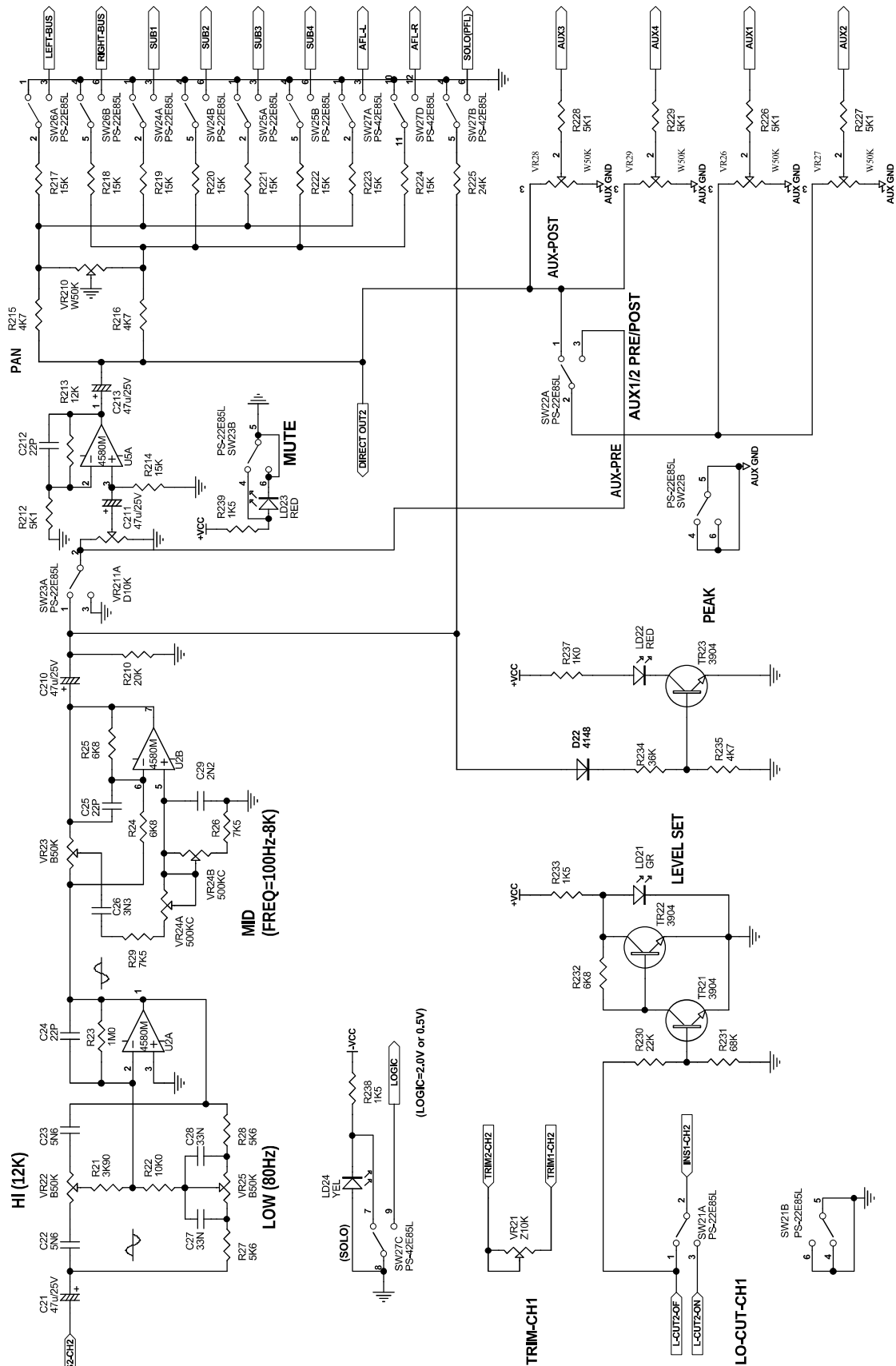
LYNX-MIX124 USB/MONO(2/6)



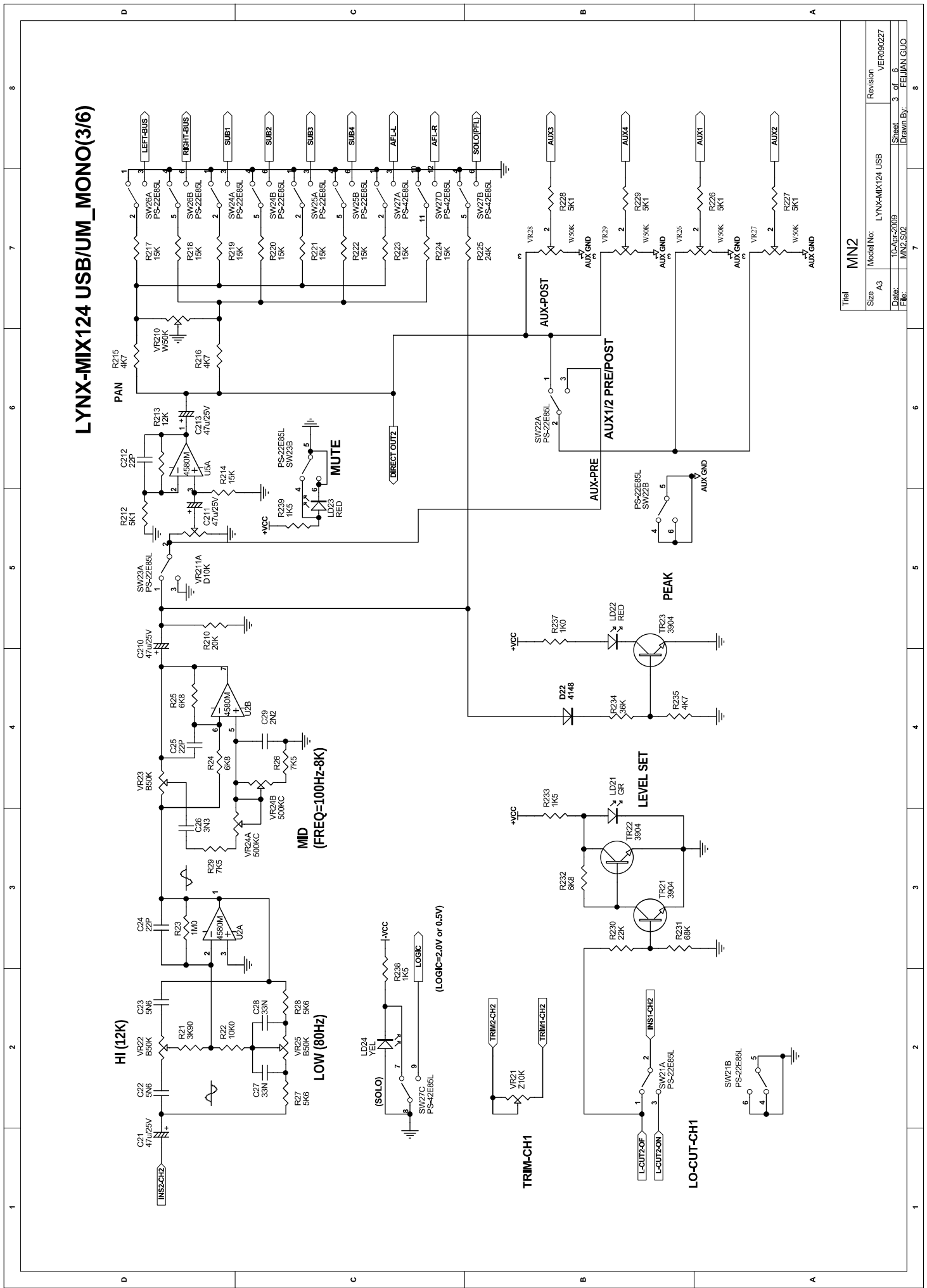
Title		MN2	
Size	A3	Model No.	LYNX-MIX124 USB
Date:	10-Apr-2009	Revision	VER09027
File:	MN2.S01	Sheet	2 of 6
		Drawn By:	FEIJUAN GUO



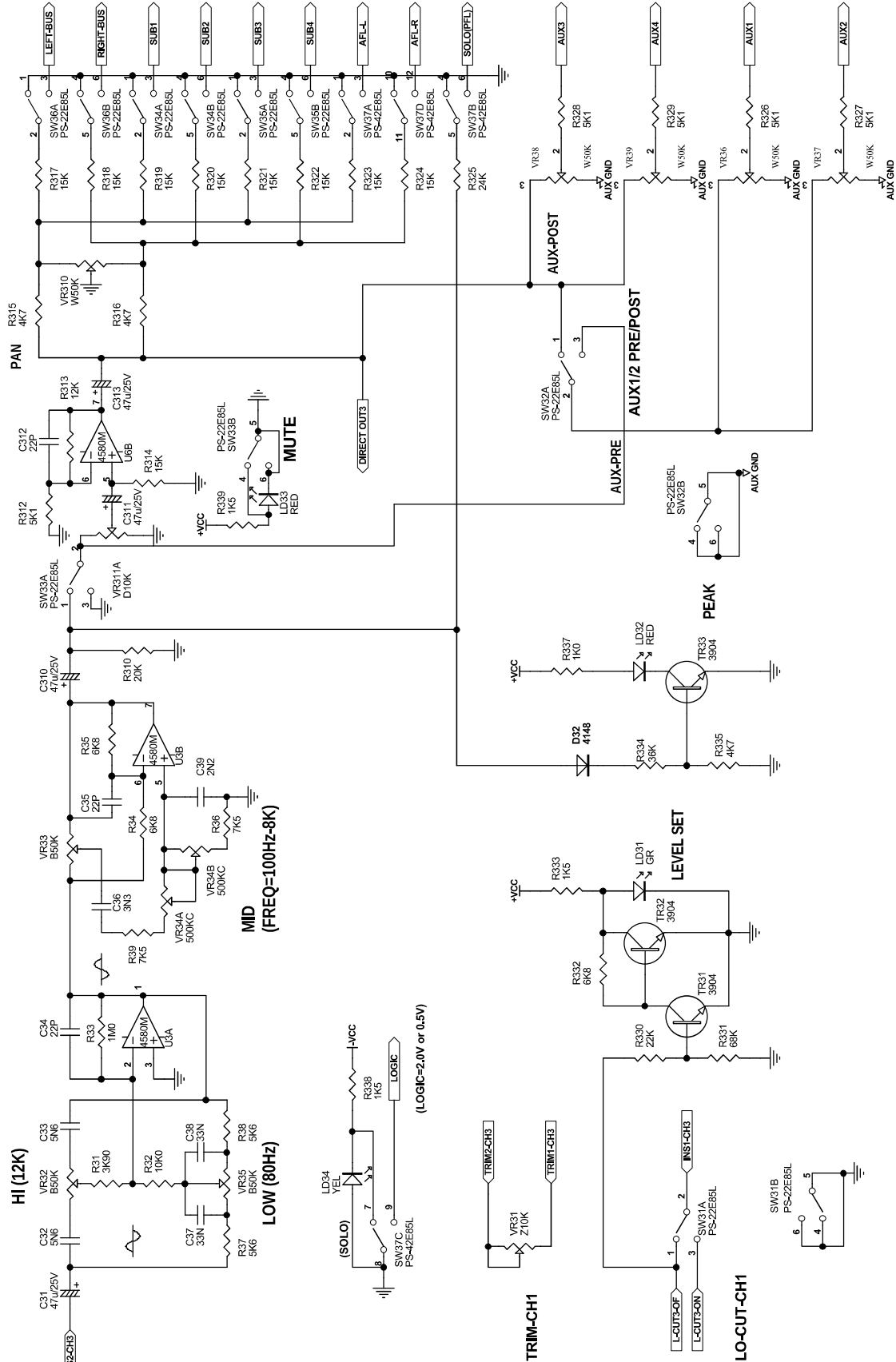
LYNX-MIX124 USB_IUM_MONO(3/6)



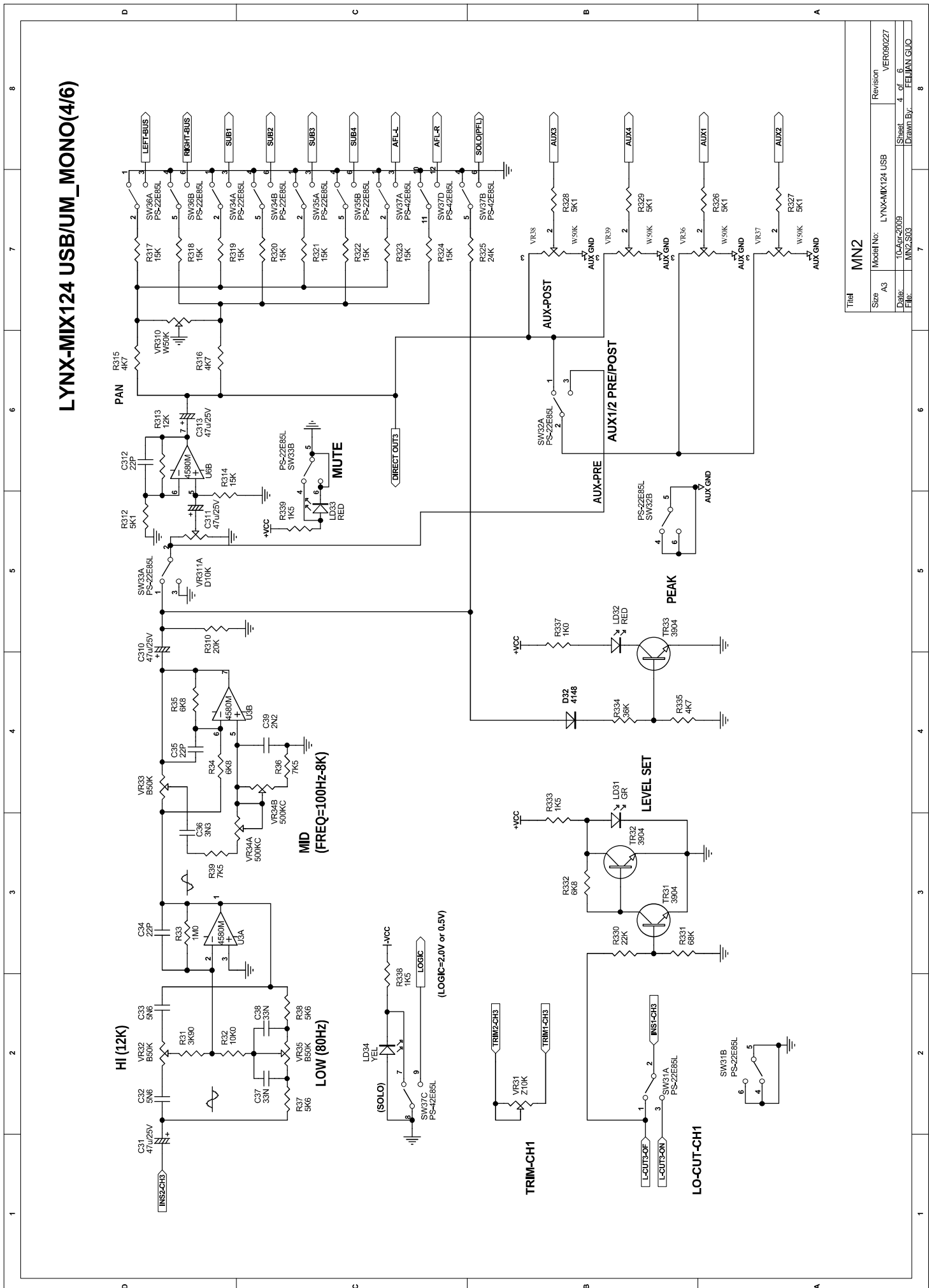
Title	MN2
Size	A3
Model No.	LYNX-MIX124 USB
Revision	VER09027
Date:	10-Apr-2019
File:	MN2.S02
Sheet	3 of 6
Drawn By:	FEIJUAN GUO



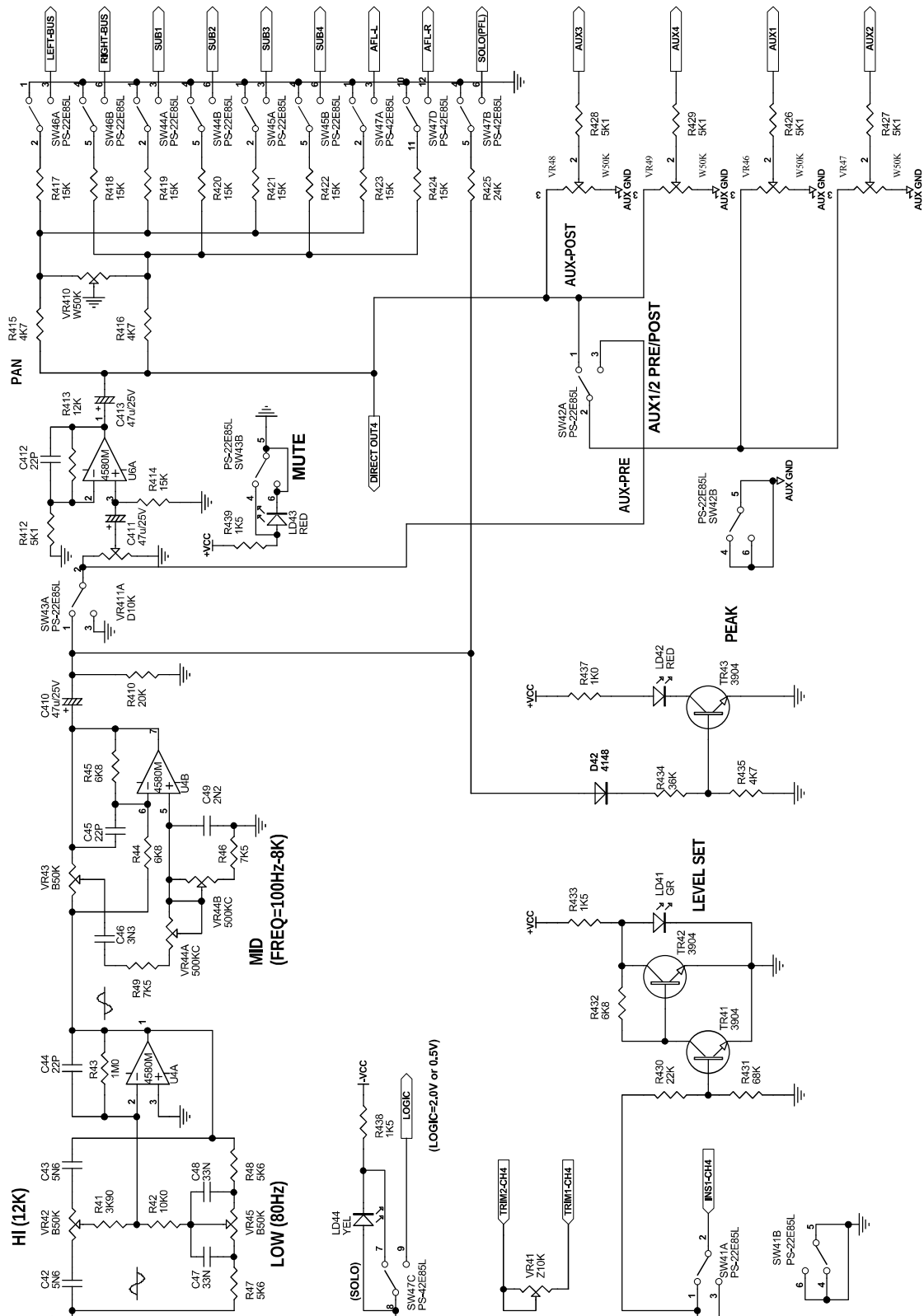
LYNX-MIX124 USB/UM_MONO(4/16)



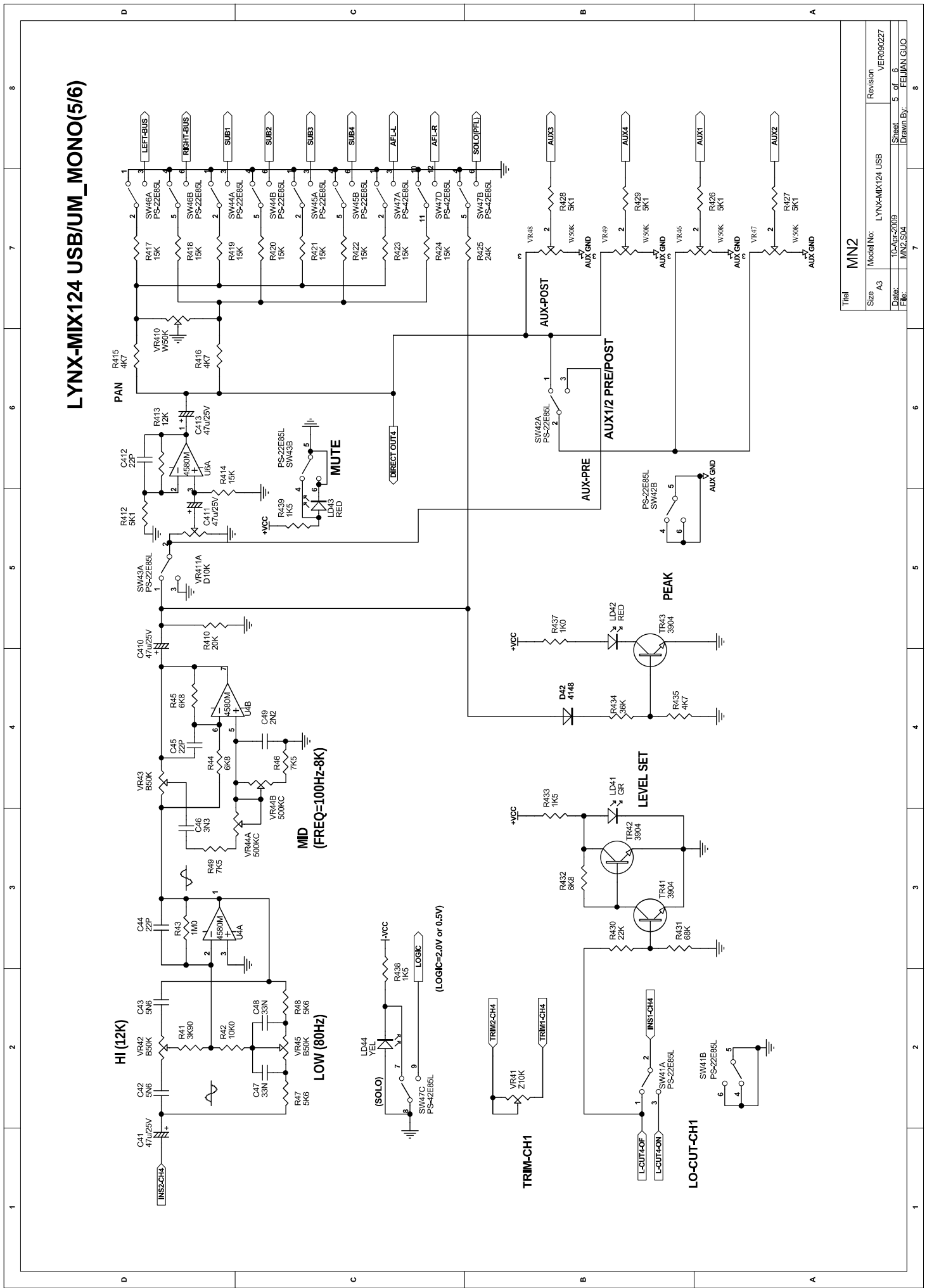
Title	MN2
Size	A3
Model No.	LYNX-MIX124 USB
Revision	VER09027
Date:	10-Apr-2019
File:	MN2.S03
Sheet	4 of 6
Drawn By:	FEIJUAN GUO



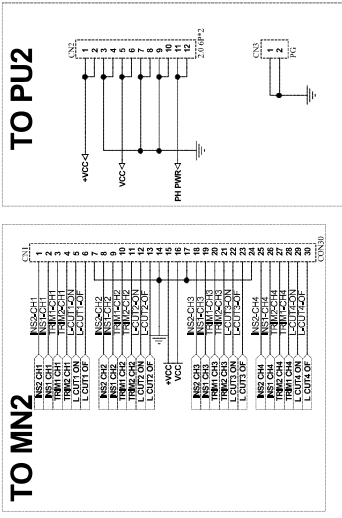
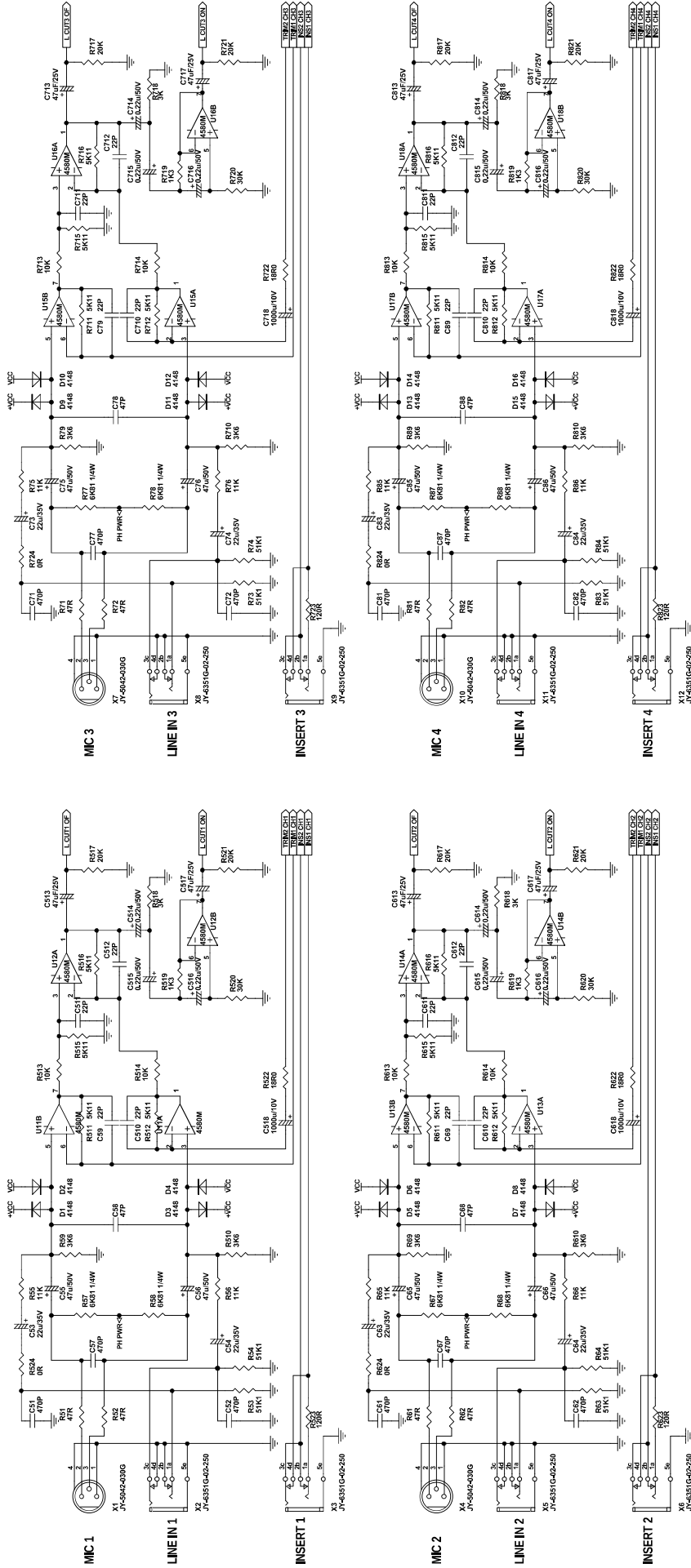
LYNX-MIX124 USB/UM_MONO(5/6)



Title		MN2	
Size	A3	Model No.	LYNX-MIX124 USB
Date:	10-Apr-2009	Revision	VER09027
File:	MN2.S04	Sheet	5 of 6
		Drawn By:	FEIJUAN GUO

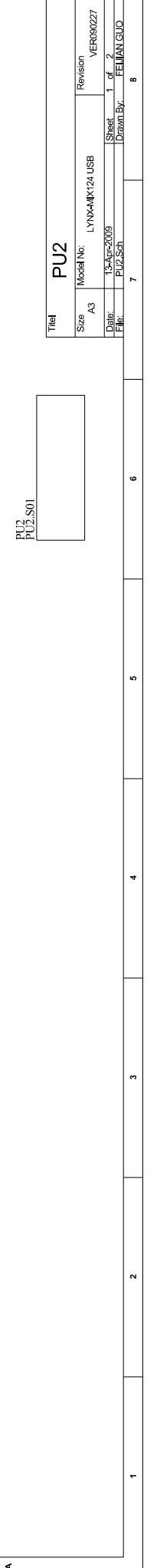
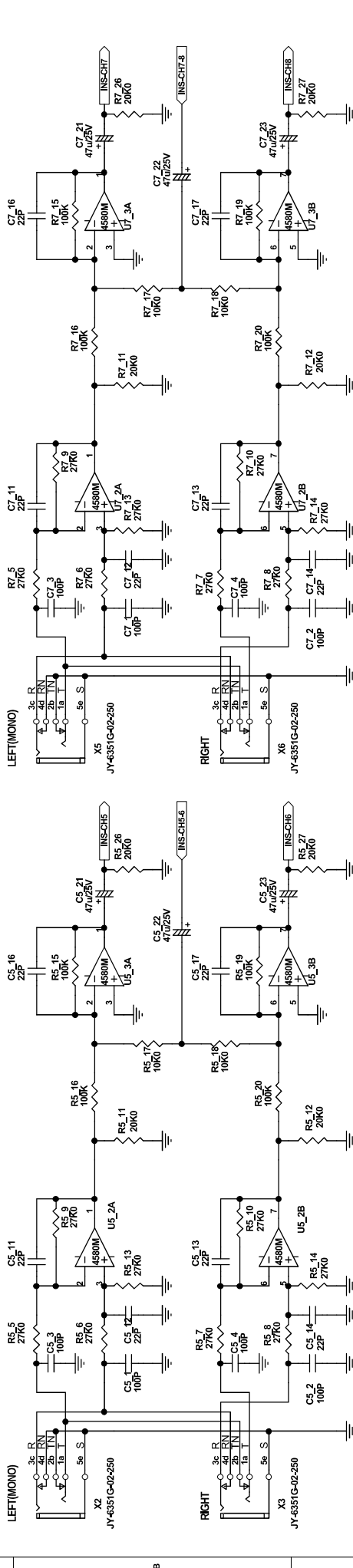
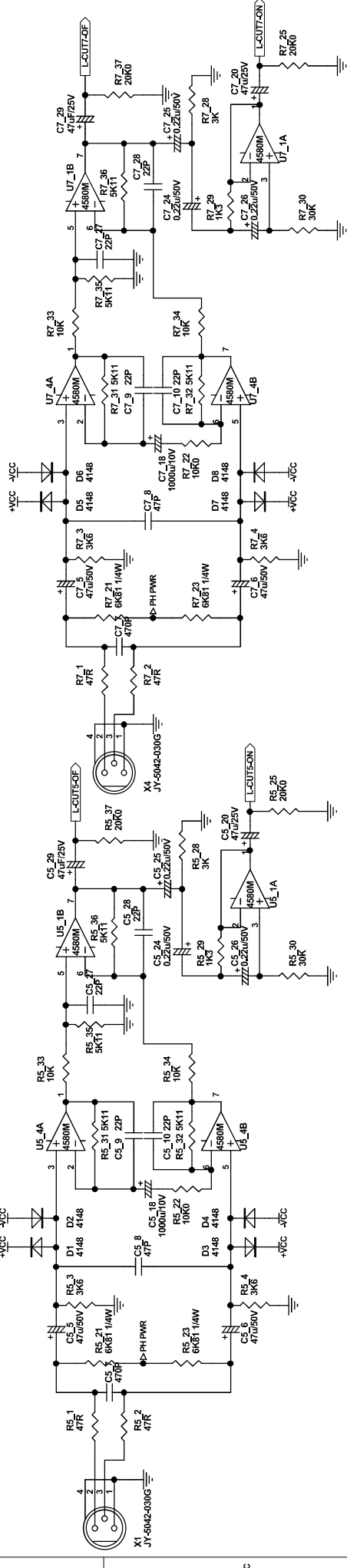


LYNX-MIX124 USB/MONO(6/6)



Model No.	LYNX-MIX124 USB	Revision	VER0902Z7
Part No.	PC-5329209	Sheet	6 of 7
File No.	PC-5329209	File Name	FILE:LYNX.MIX124

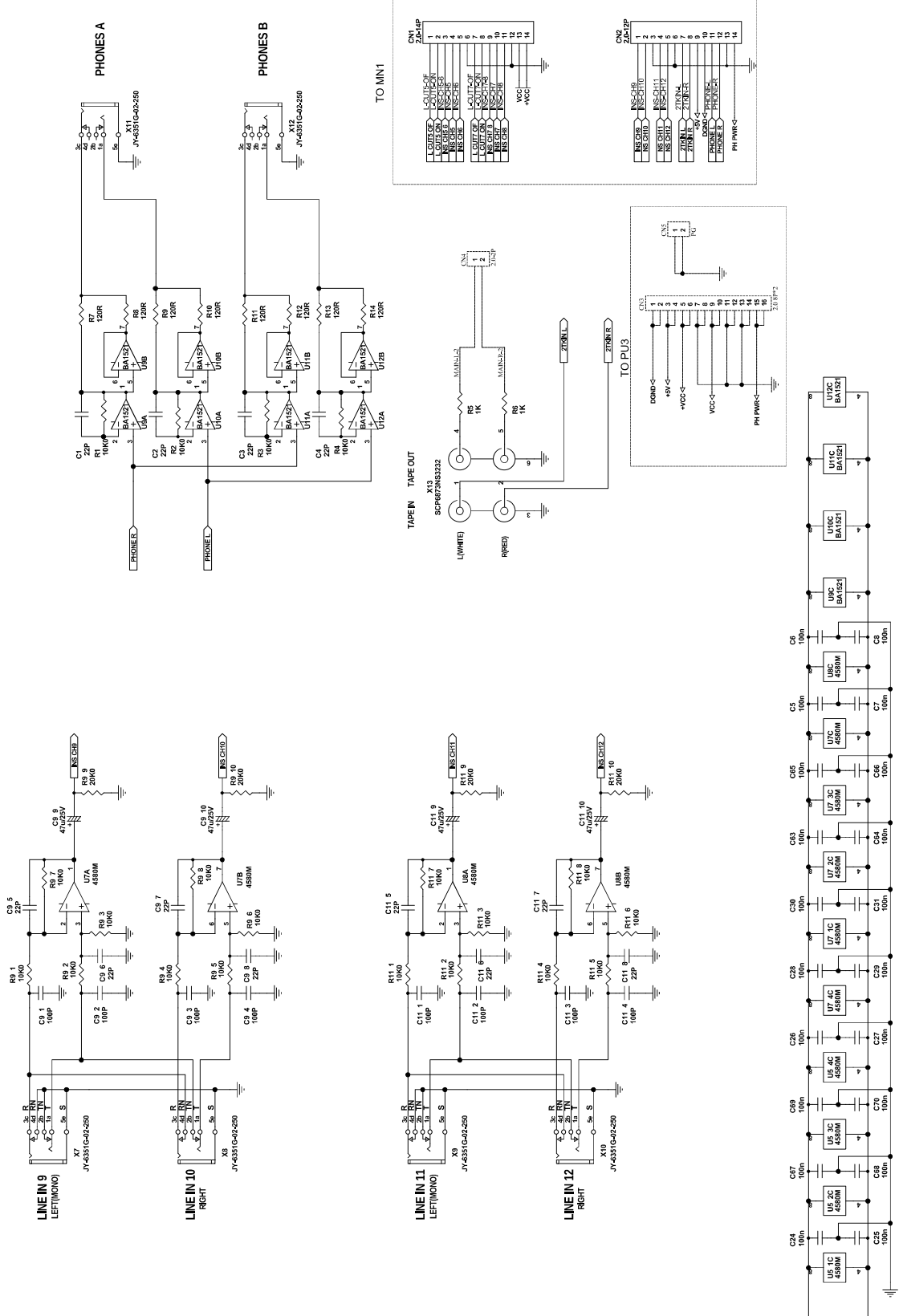
LYNX-MIX124 USB/UM_PU2(1/2)



Title		PU2	
Size	A3	Model No.	LYNX-MIX124_USB
Drawn	13-Apr-2009	Revision	VER090227
File	PU2.Sch	Sheet	1 of 2
		Drawn By	FELIAN GUO

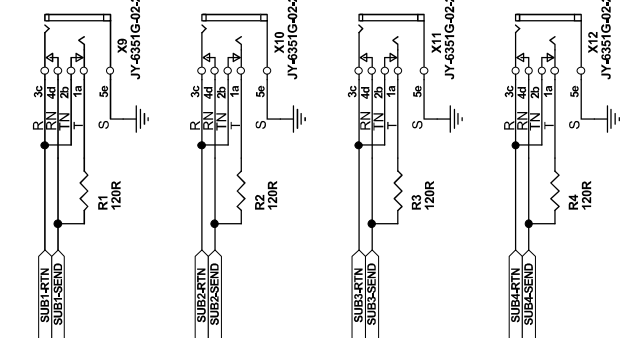
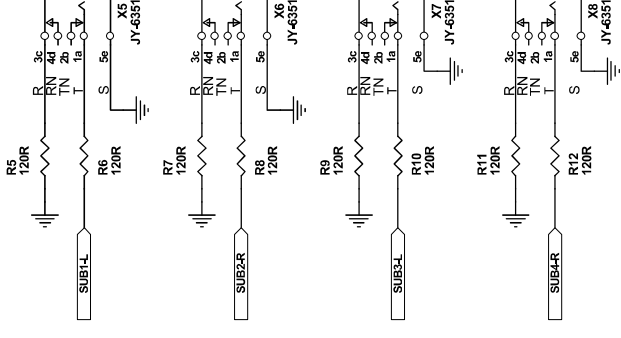
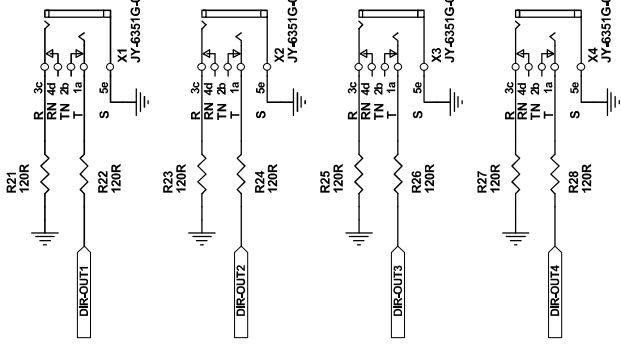
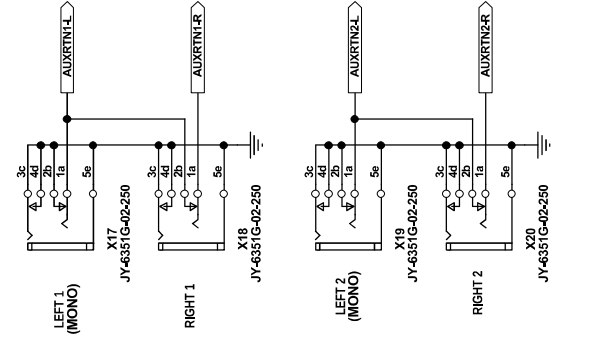
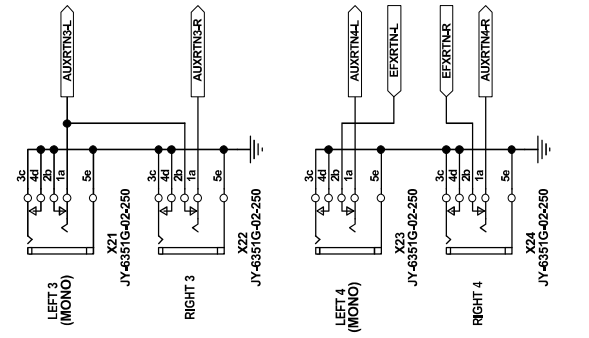
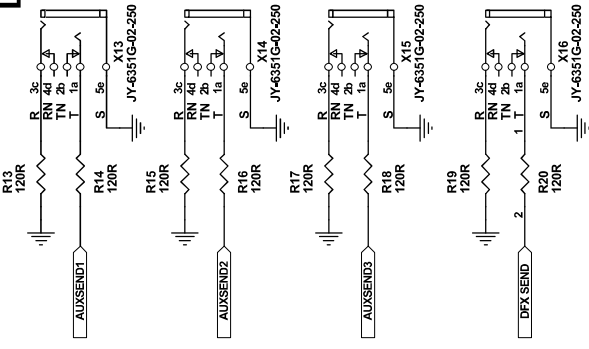
PU2
PU2.S01

LYNX-MIX124 USB/IUM_PU2(2/2)



Title	PU2
Model No.	LYNX-MIX124 USB
Revision	VER090227
Size	A3
Doc No.	7-5352-005
Rev.	2
File	PU2.DWG

LYNX-MIX124 USB/UM_PU1(1/2)



PU1 SCH
PU1 S01

Title		PU2	
Size	A3	Model No.	LYNX-MIX124 USB
Date:	13-Apr-2009	Revision	VER090227
File:	PU1_Sch	Sheet	1 of 2
		Drawn By:	FEIJIAN GUO

LYNX-MIX124 USB/UM_MN1(1/10)

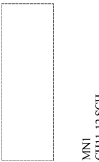
MINI
CH05-06 SCH



MINI
CH07-08 SCH



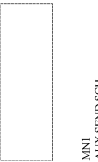
MINI
CH09-10 SCH



MINI
CH11-12 SCH



MINI
MAIN-SUB SCH



MINI
AUX SEND SCH



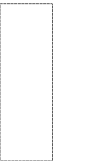
MINI
AUX RTN SCH



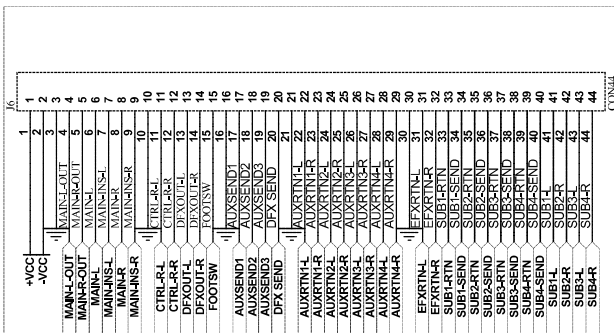
MINI
CTRL-ROOM SCH



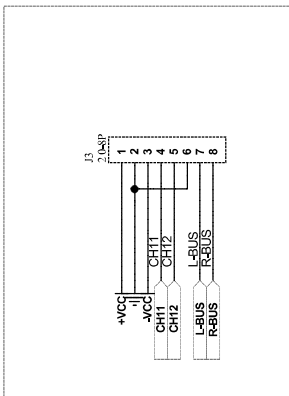
MINI
DS1 SCH



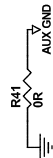
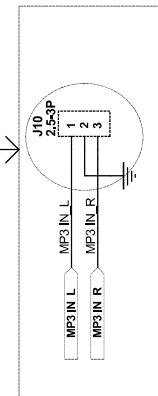
TO PU1



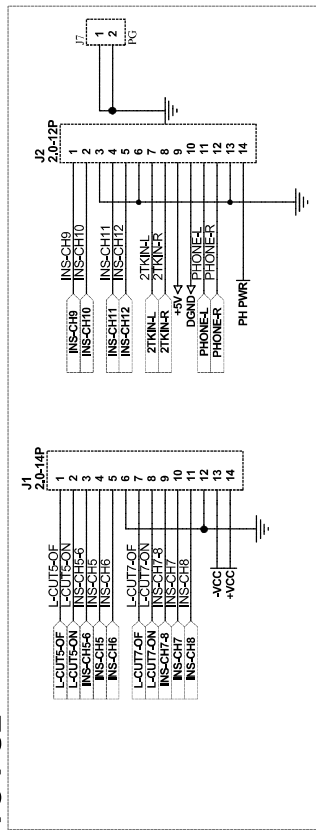
TO USBMOD



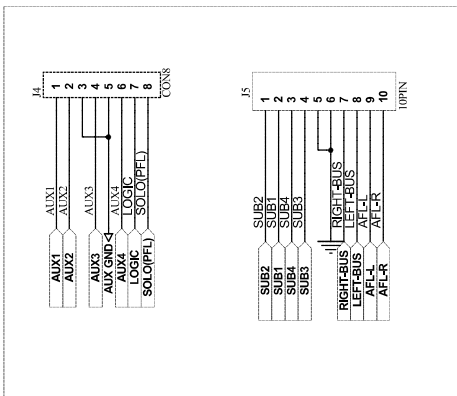
TO MP3



TO PU2

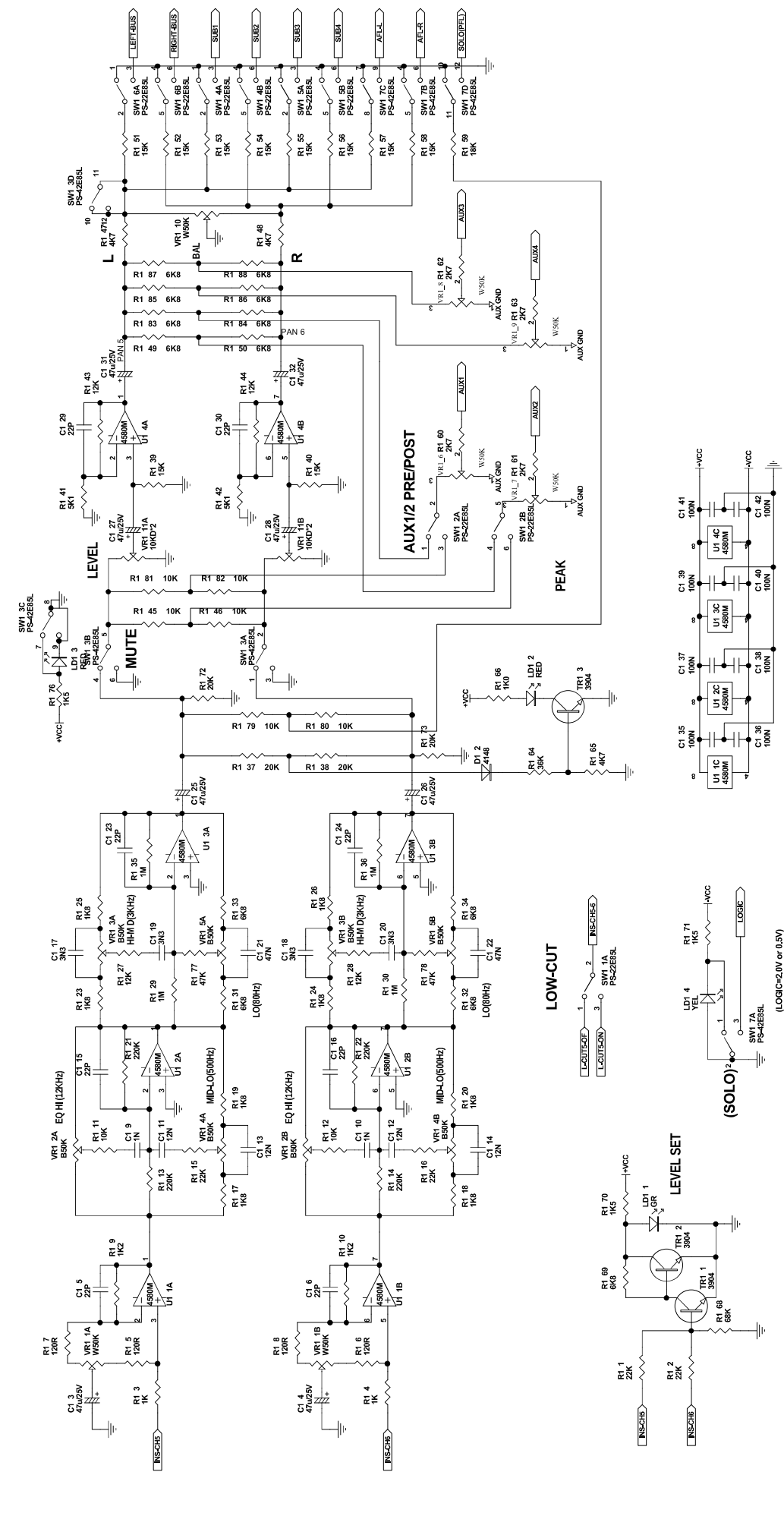


TO MN2



Title		MN1	
Size	A3	Model No.	LYNX-MIX-124 UM
Date:	10-Apr-2009	Revision	VER090227
File:	MN1-AE-1.SCH	Sheet	1 of 10
		Drawn By:	FEIJIAN GUO

LYNX-MIX124 USB/UM_MN1(2/10)

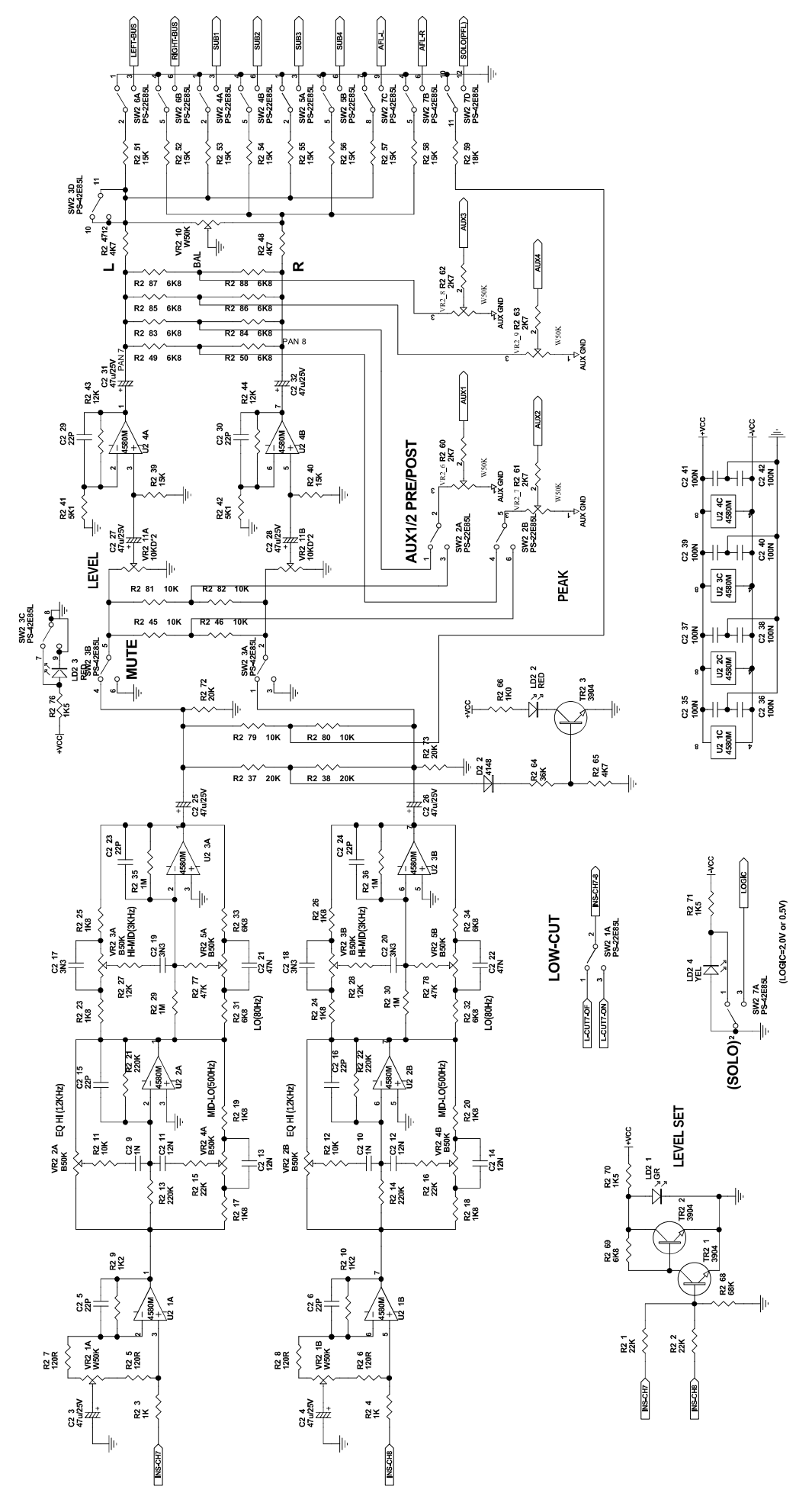


Total	MN1		
Size	A3	Model No:	LYNX-MIX124 UM
Date:	10-AGZ-2009	Revision	VER090277
File:	CH0506.SCH	Sheet	2 of 10
		Drawn By:	FELIJA GUO

1 2 3 4 5 6 7 8

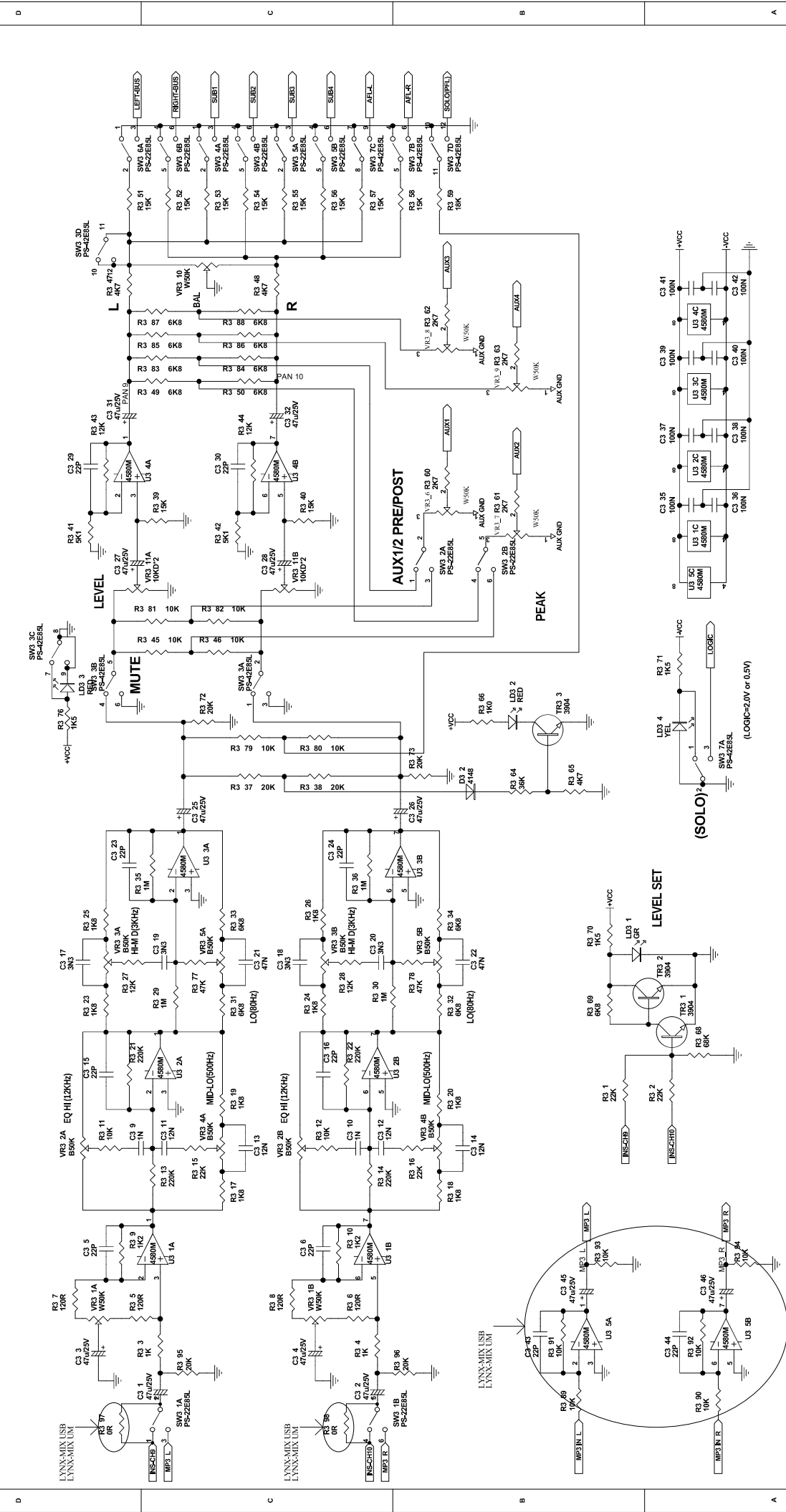
A B C D

LYNX-MIX124 USB/UM_MN1(3/10)



Title		MN1	
Size	A3	Model No.	LYNX-MIX124 UM
Drawn	TC-AGZ-2009	Revision	VER090277
File	CH0706.SCH	Sheet	3 of 10
		Drawn By	FELUAN GUO

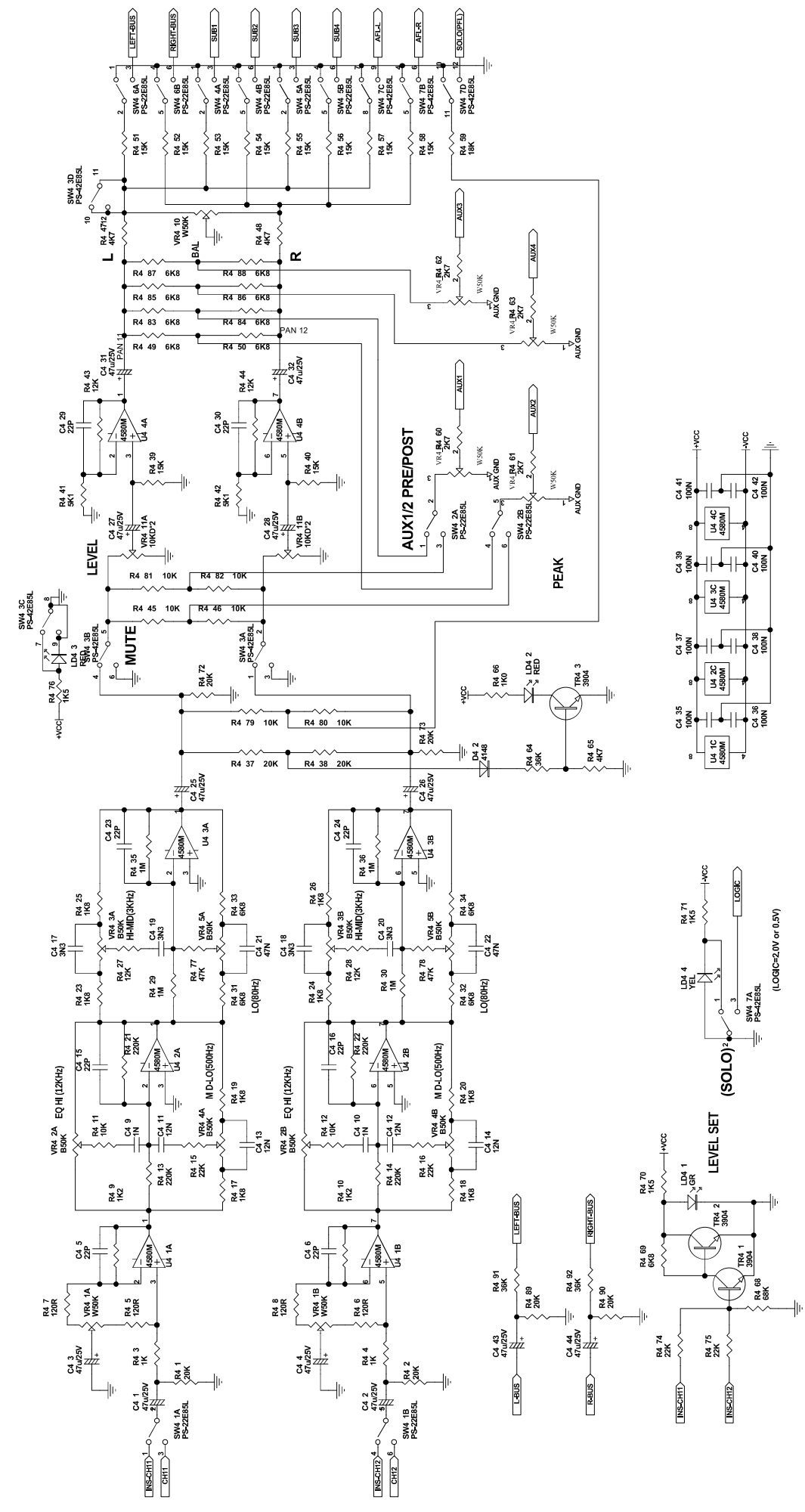
LYNX-MIX124 USB/UM_MN1(4/10)



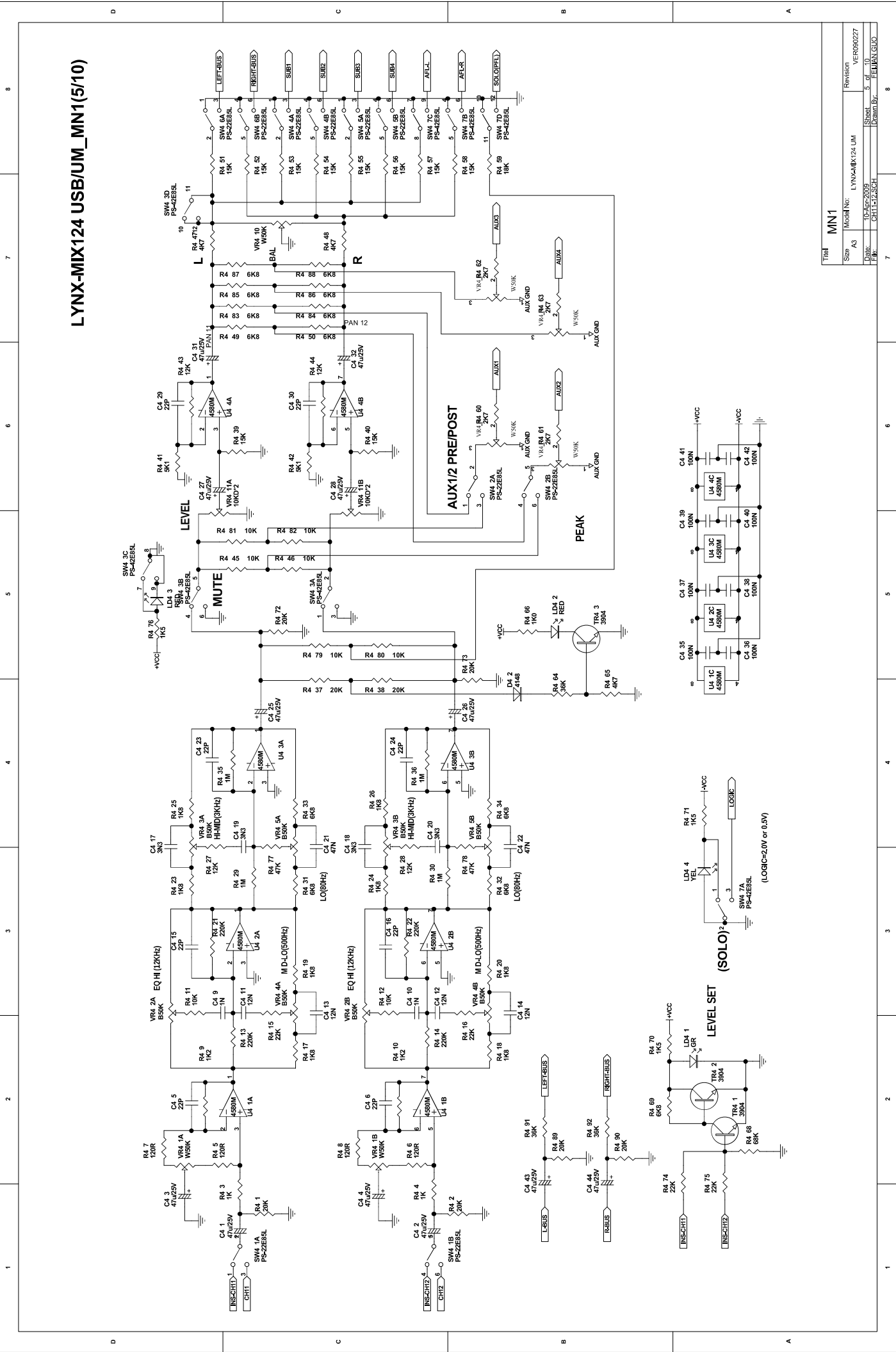
Model No:	LYNX-MK124 UM	Revision	VER090277
Drawn By:	CHUNG-TSUNG	Sheet	4 of 10
Checked By:		Drawn By:	FELIAN GUO

Part No:	LYNX-MIX124 UM	Revision	VER090277
Drawn By:	CHUNG-TSUNG	Sheet	4 of 10
Checked By:		Drawn By:	FELIAN GUO

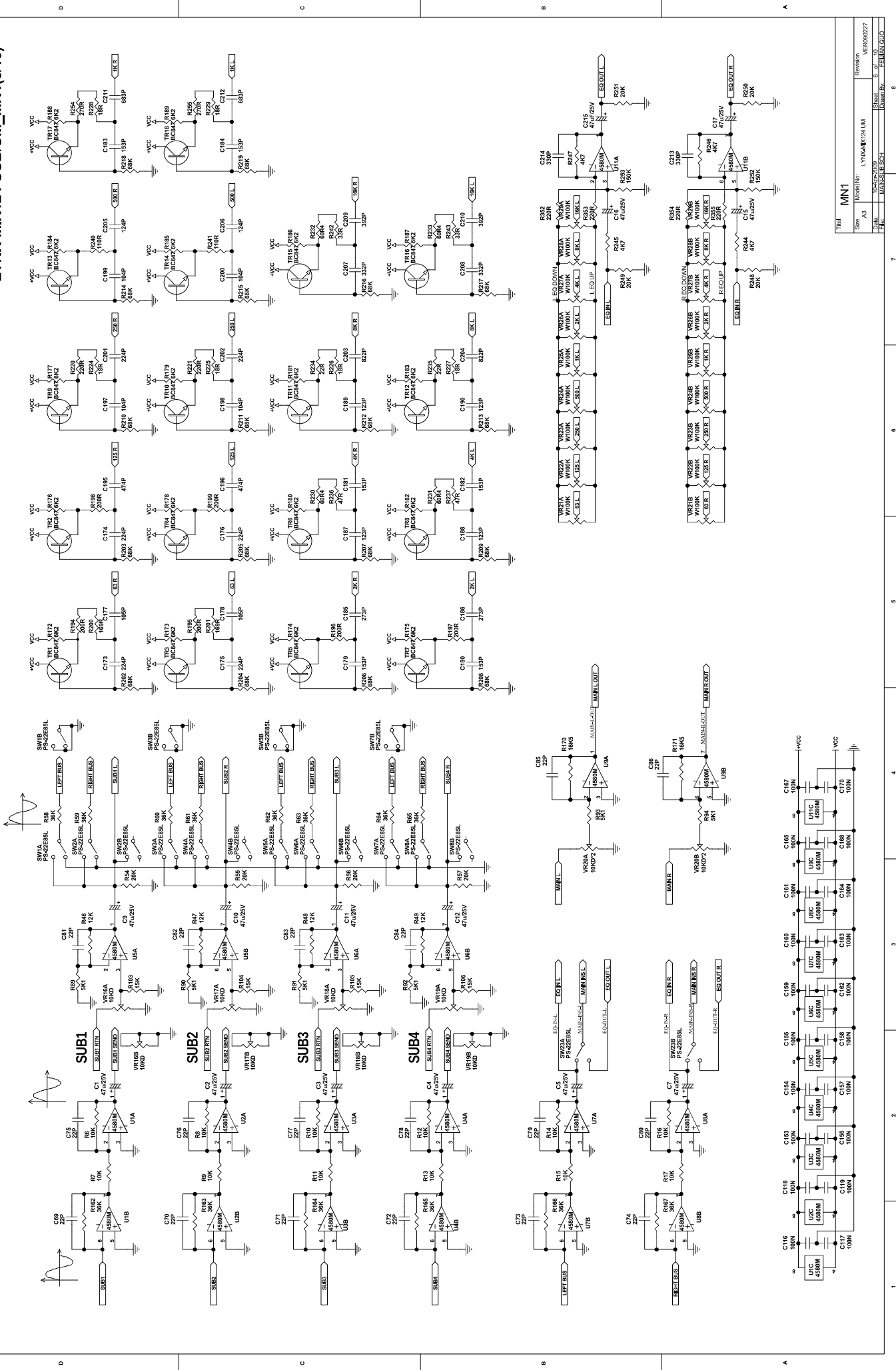
LYNX-MIX124 USB/UM_MN1(5/10)



Total	MN1	Revision	VER090227
Size	A3	Model No.	LYNX-MIX124 UM
Date	10-AGZ-2009	Sheet	5 of 10
File	CHT124.SCH	Drawn By	FELIJA GUO

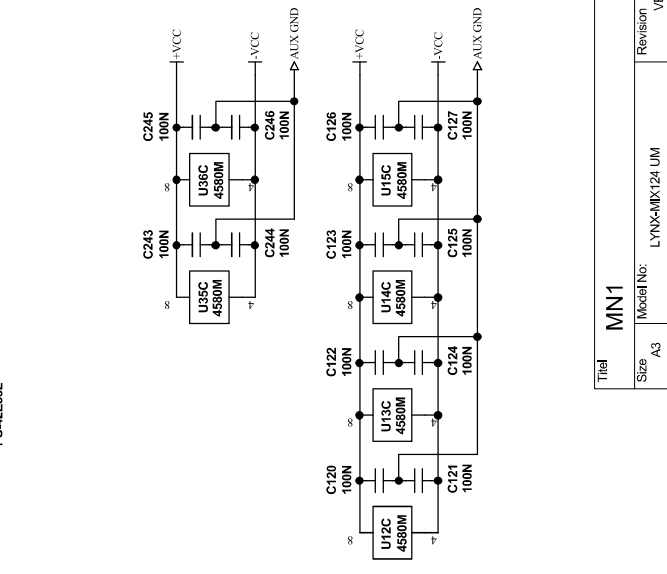
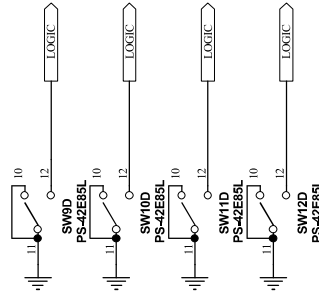
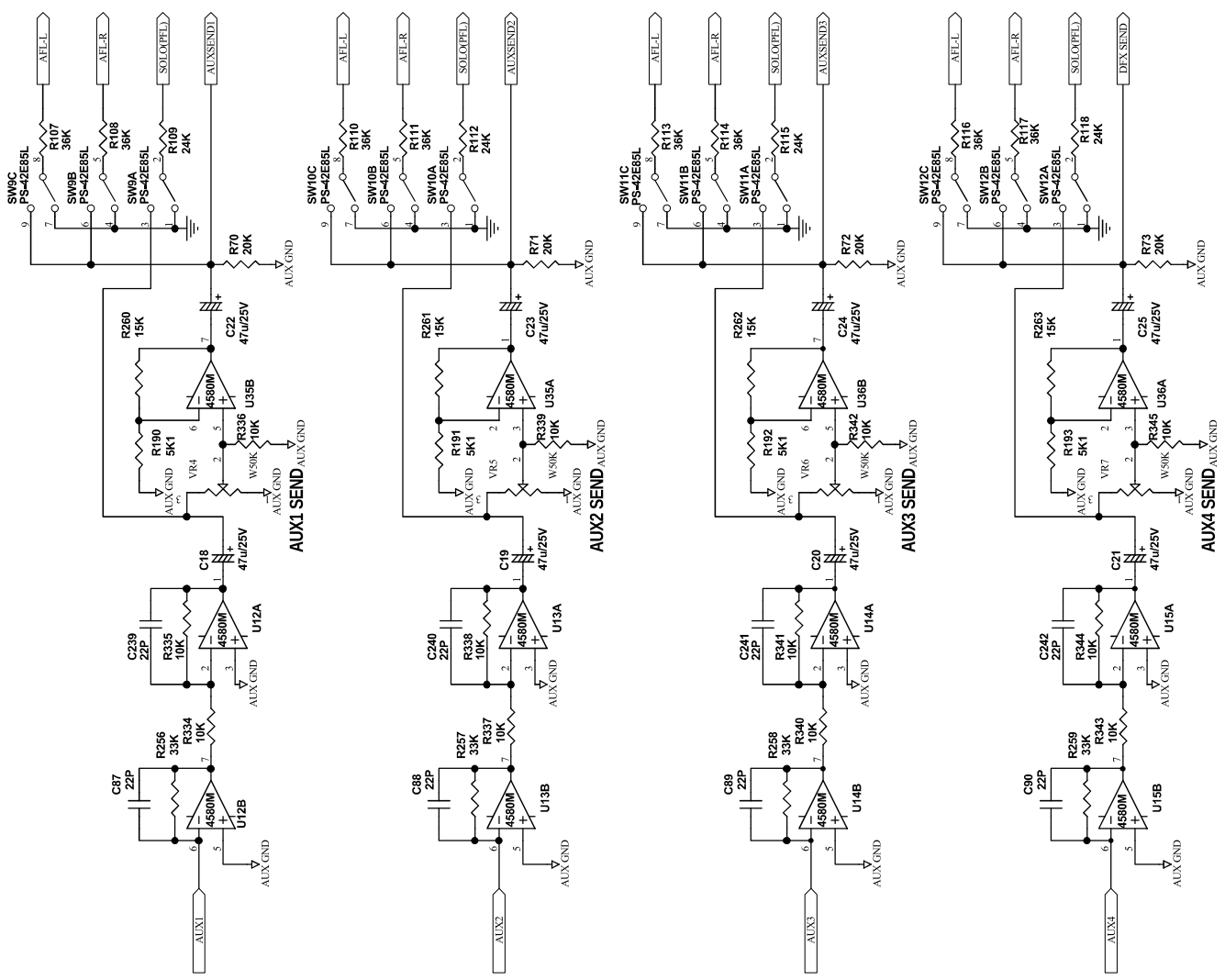


LYNX-MIX124 USB/UM_MN1(6/10)



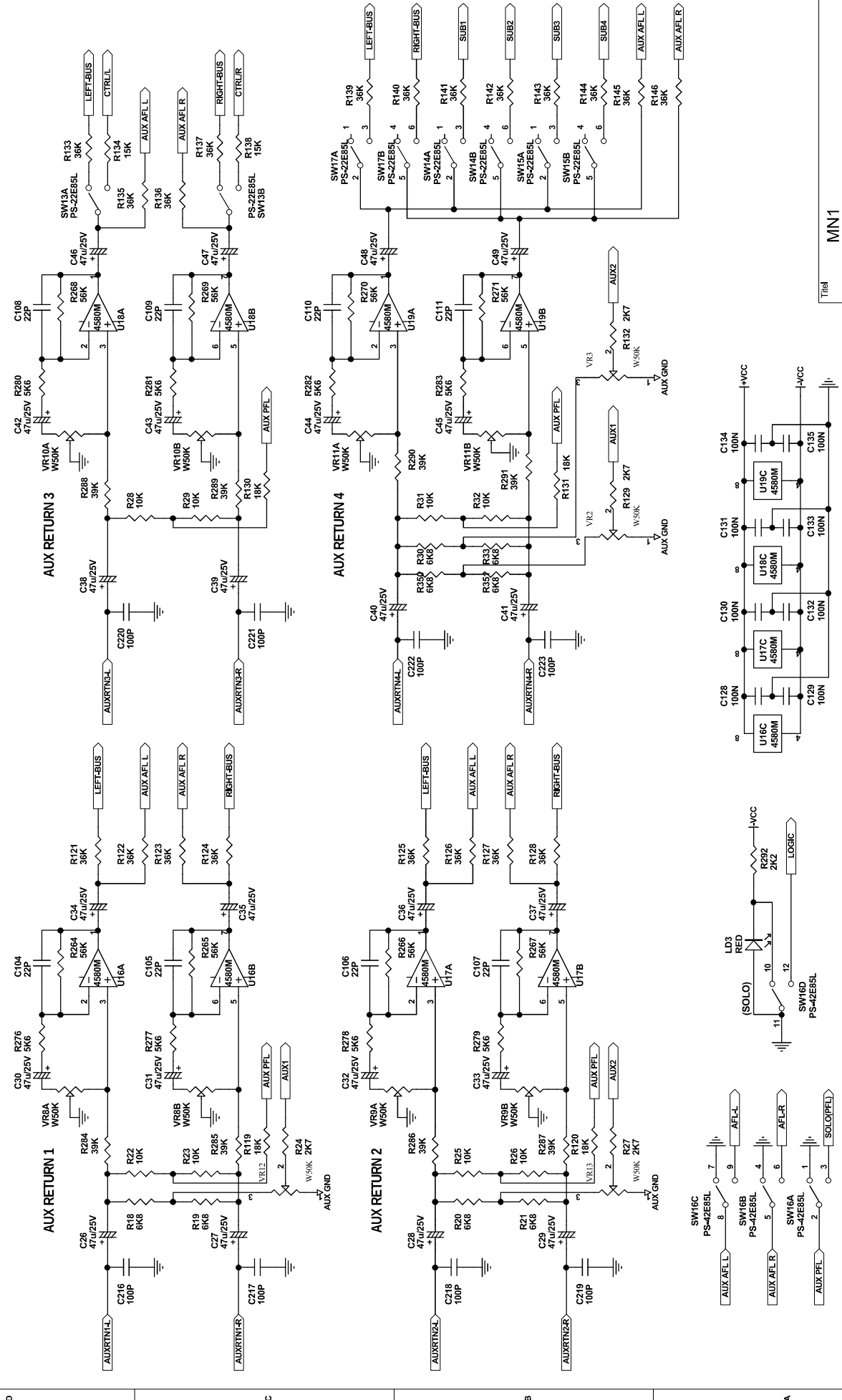
Titel	MN1
Modell No.	LYNX-MIX124 UM
Size	A3
Proj. No.	63523005
Proj. Name	LYNX-MIX124
Rev.	6
Revision	VER060227
Author	FLX/AL/OLO

LYNX-MIX124 USB/UM_MN1(7/10)



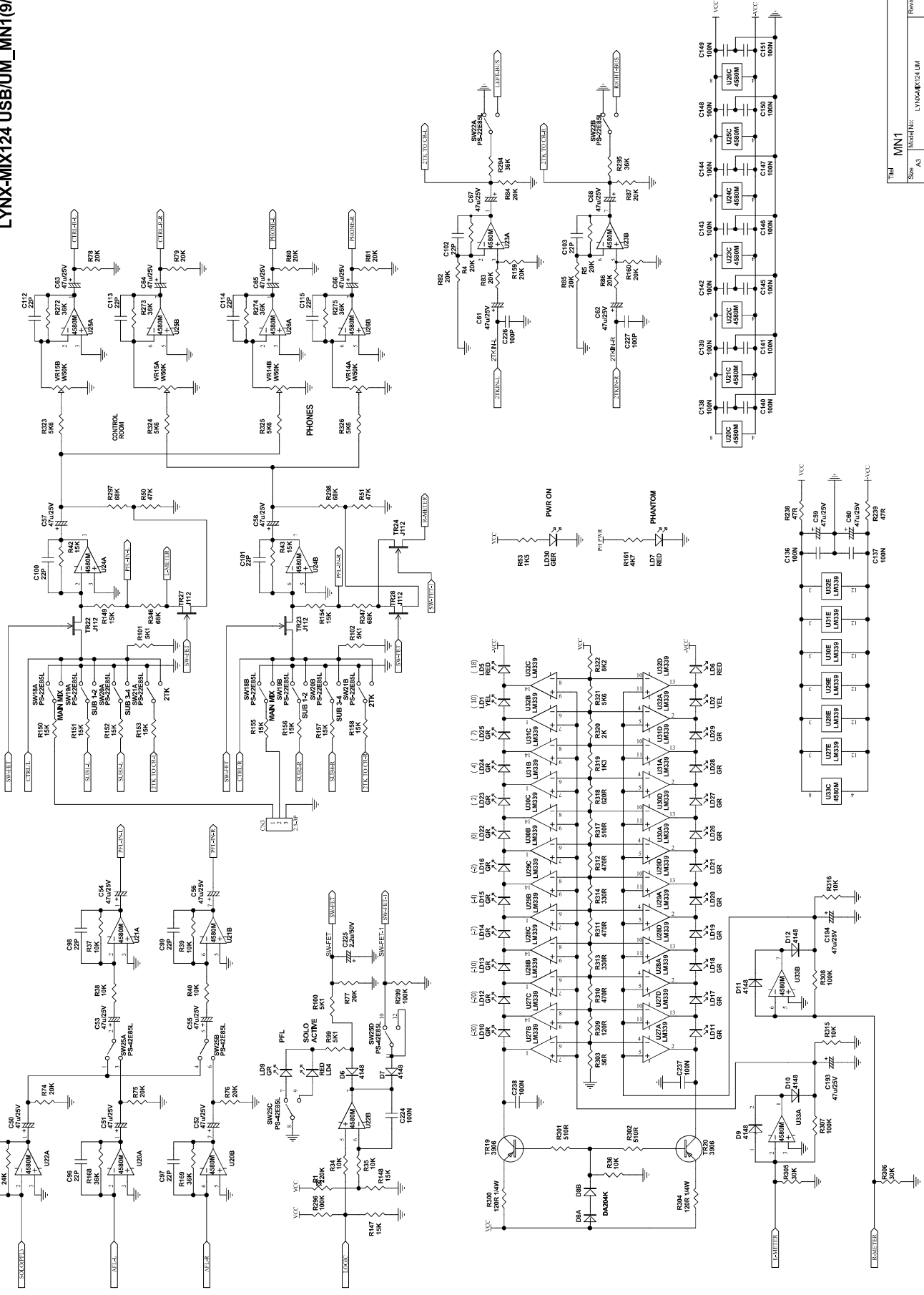
Title		MN1	
Size	A3	Model No.	LYNX-MIX124 UM
Date:	10Apr2009	Revision	VER09027
File:	AUX_SEND.SCH	Sheet	7 of 10
		Drawn By:	FEIJIAN GUO

LYNX-MIX124 USB/UM_MN1(8/10)



Title		MN1	
Size	A3	Model No.	LYNX-MIX124 UM
Date:	10Apr2009	Revision	VER09027
File:	AUX_RTNSCH	Sheet	8 of 10
		Drawn By:	FEIJUAN GUO

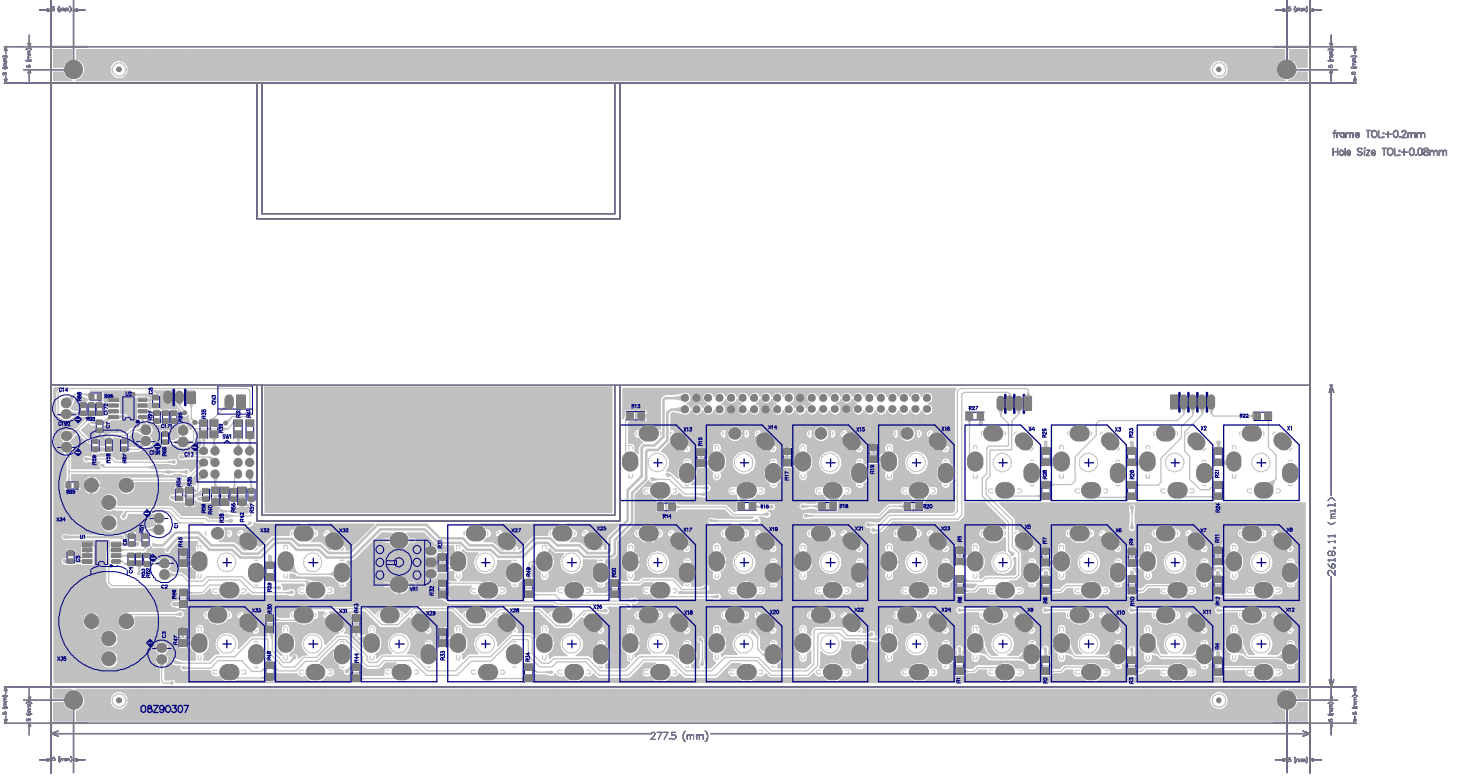
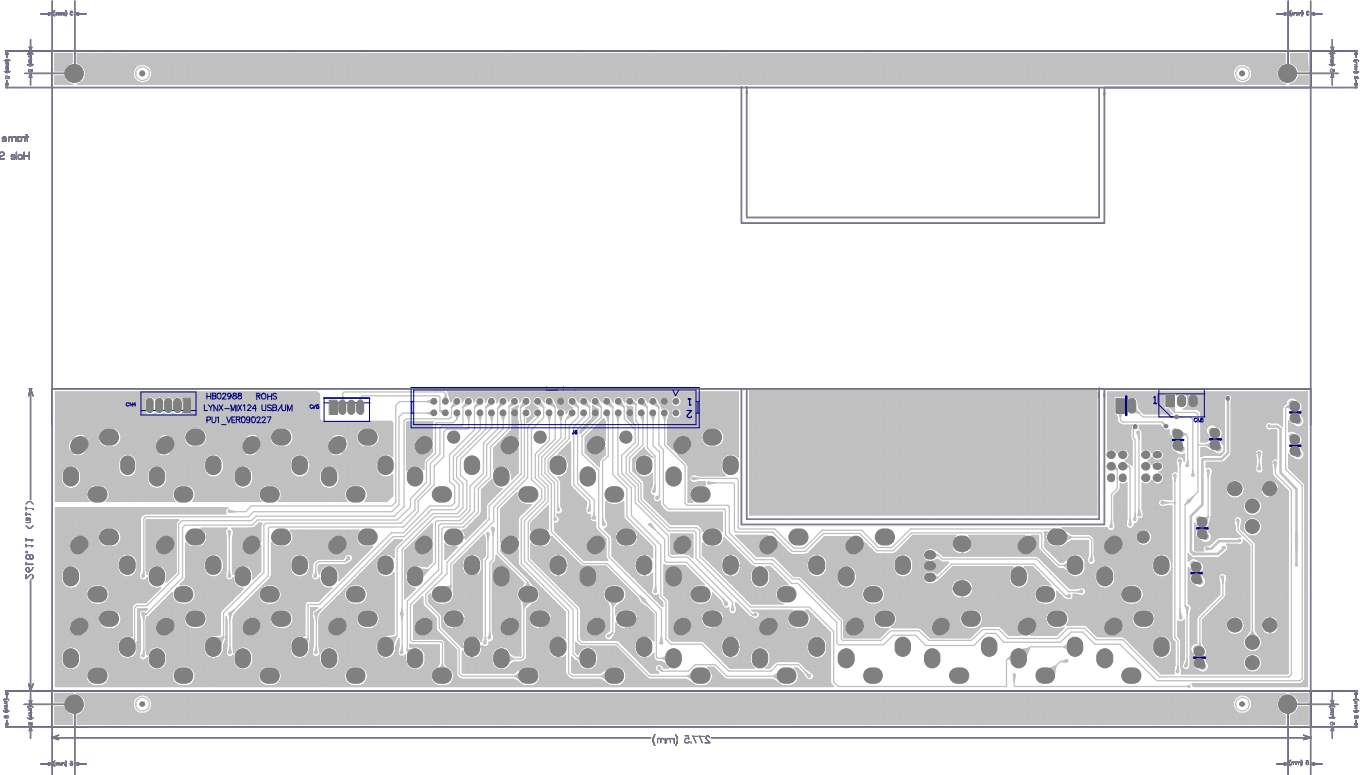
LYNX-MIX124 USB/UM_MN1(9/10)

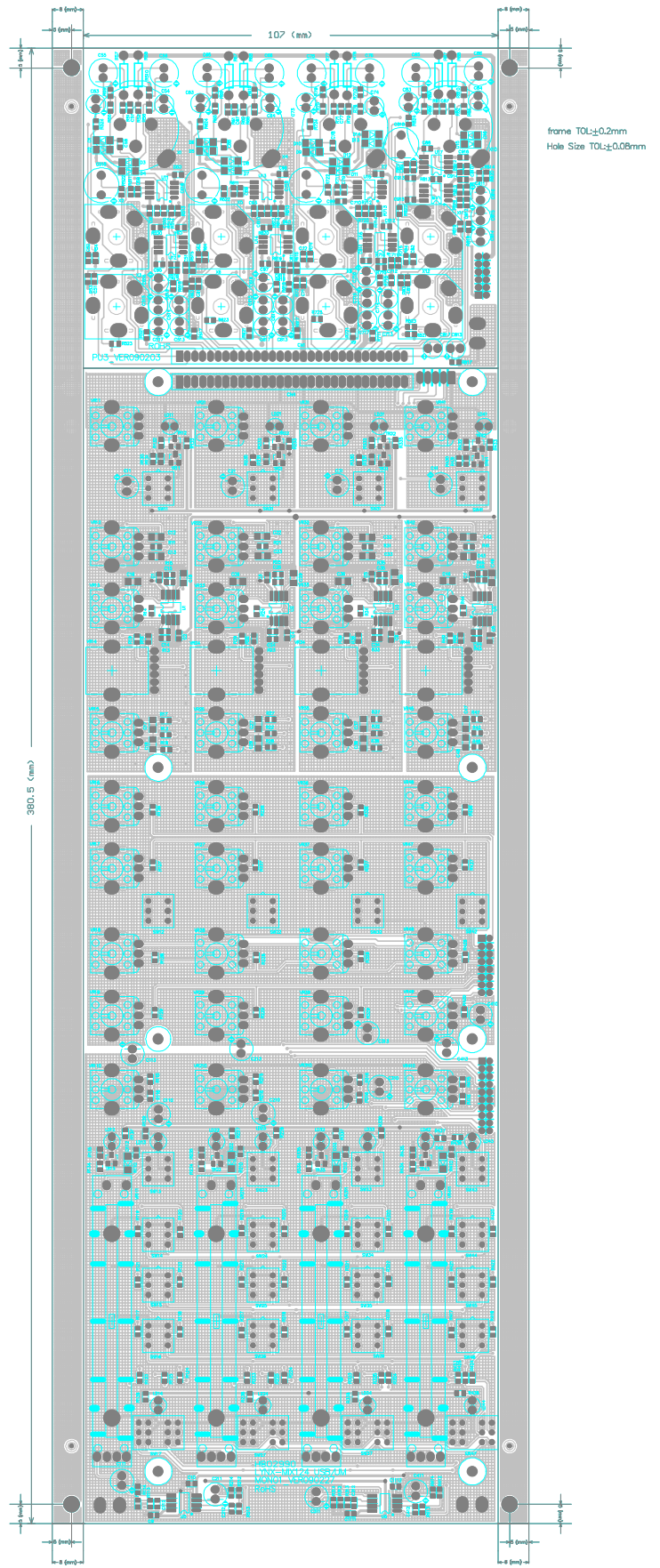
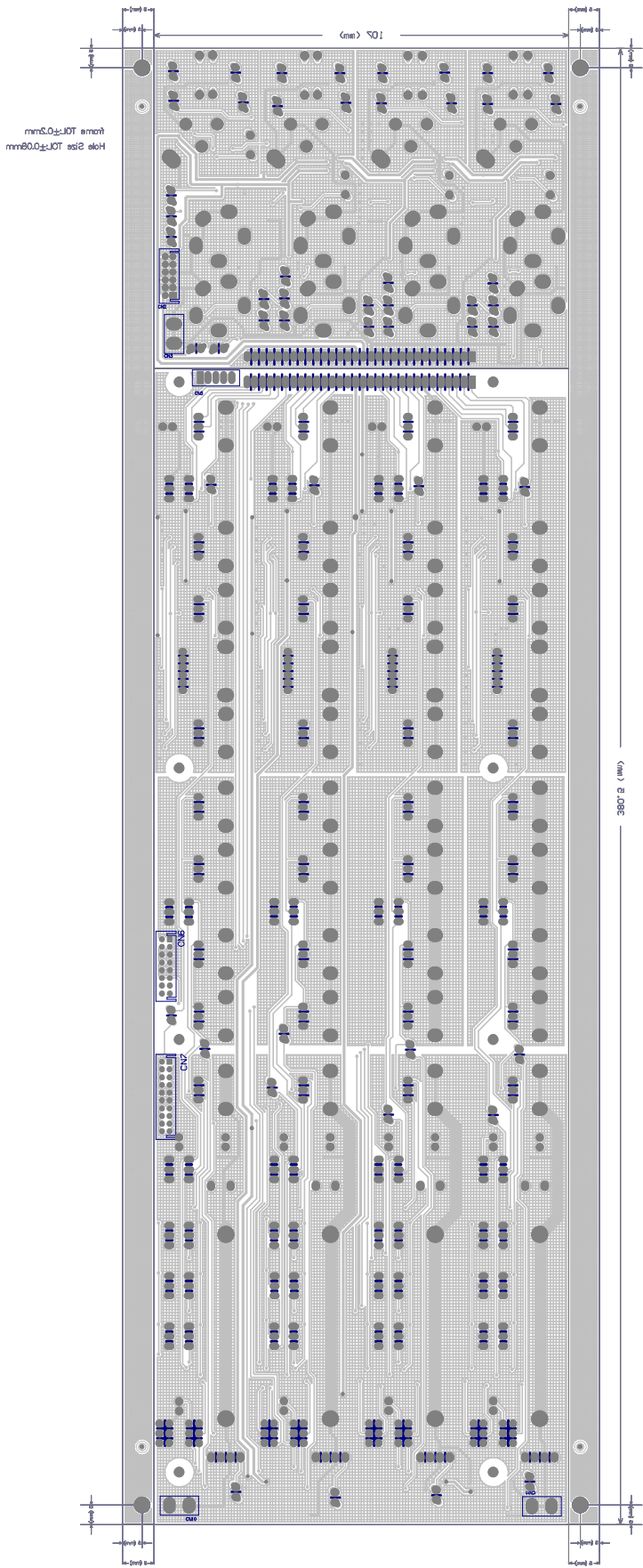


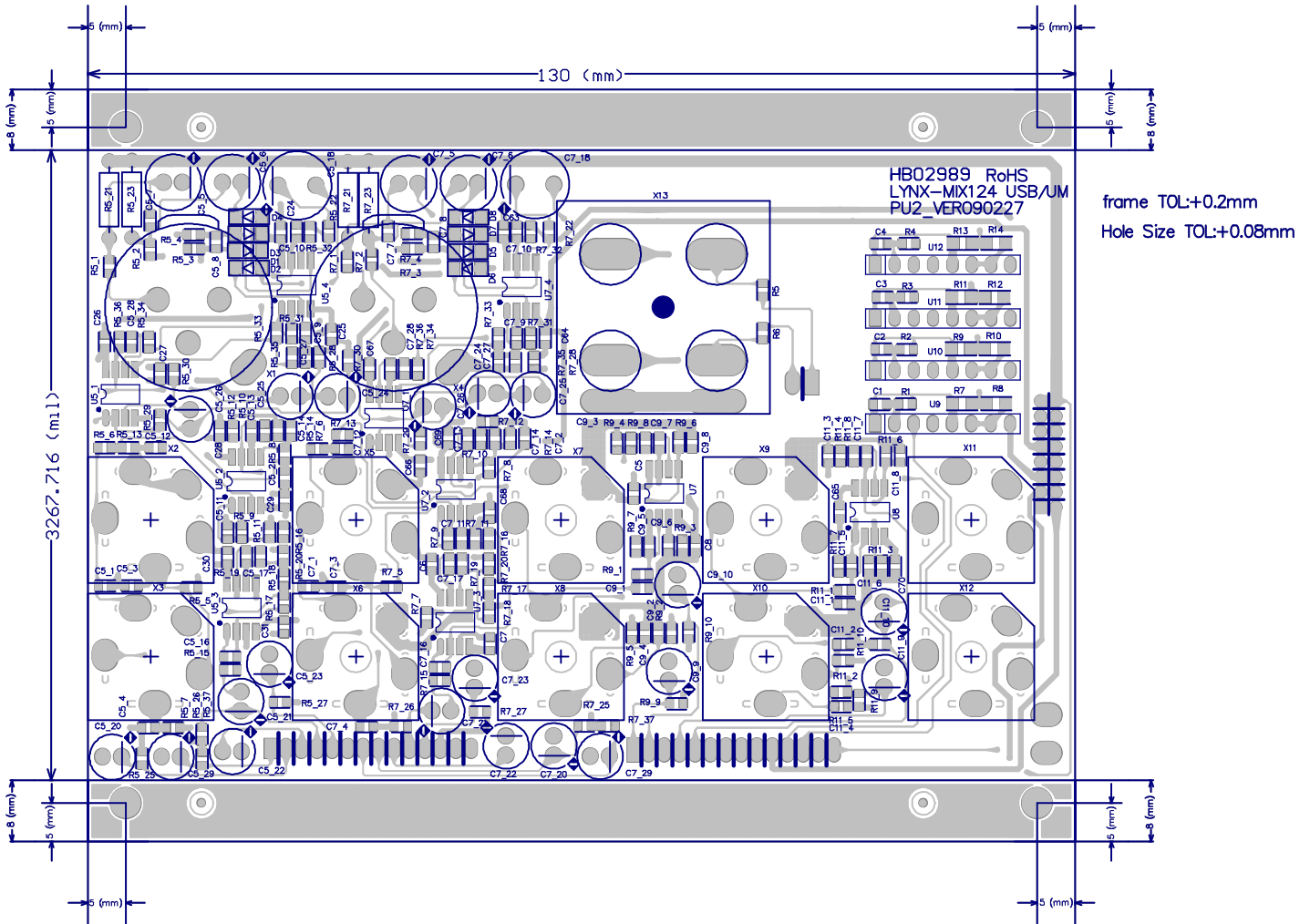
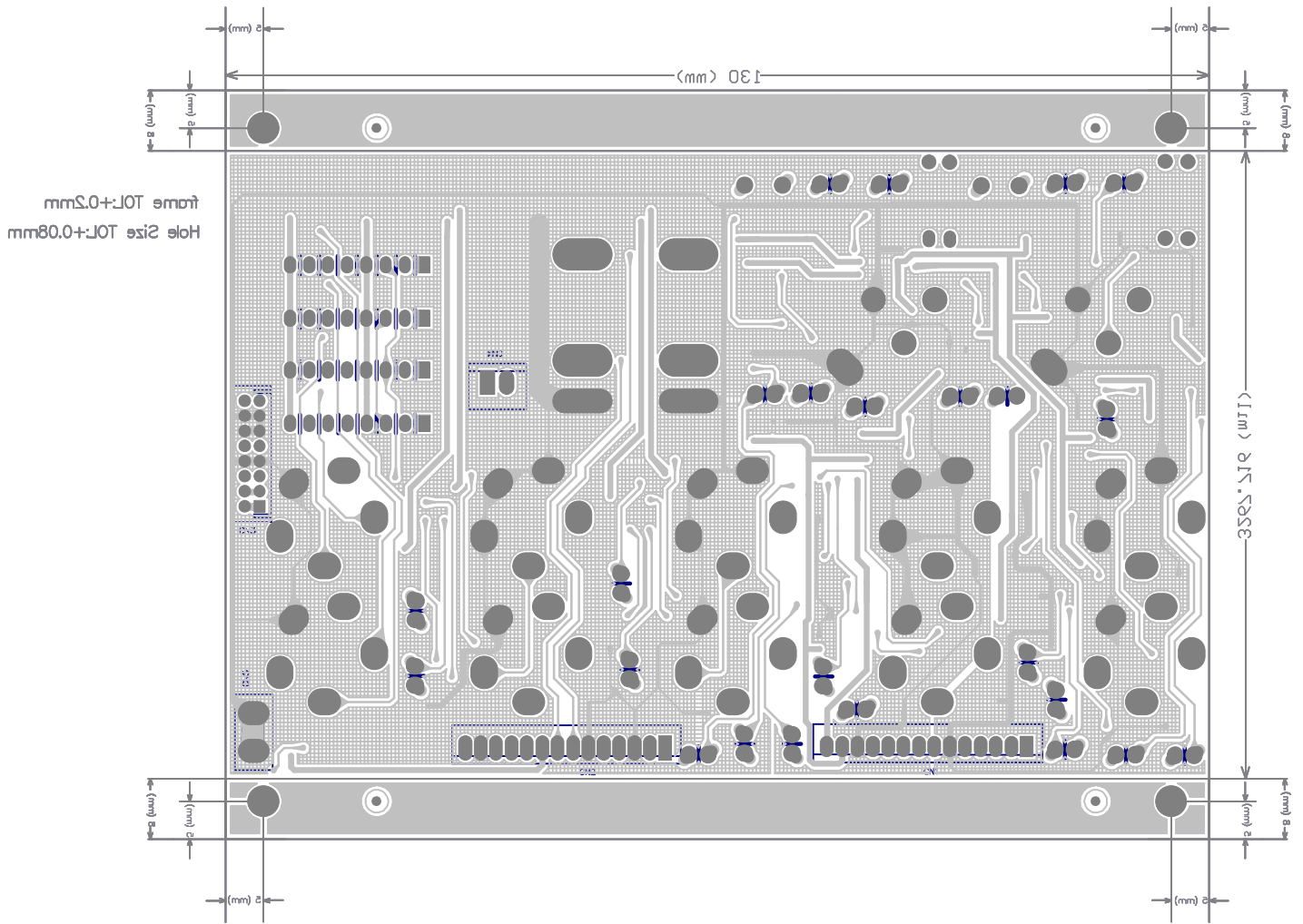
Model No.	LYNX-MIX124 UM	Revision	VER090227
Doc No.	KS-2009-0001	Sheet No.	9 of 9
File	C:\KS-COM\KS1	Drawn By	HAJUN.GUO

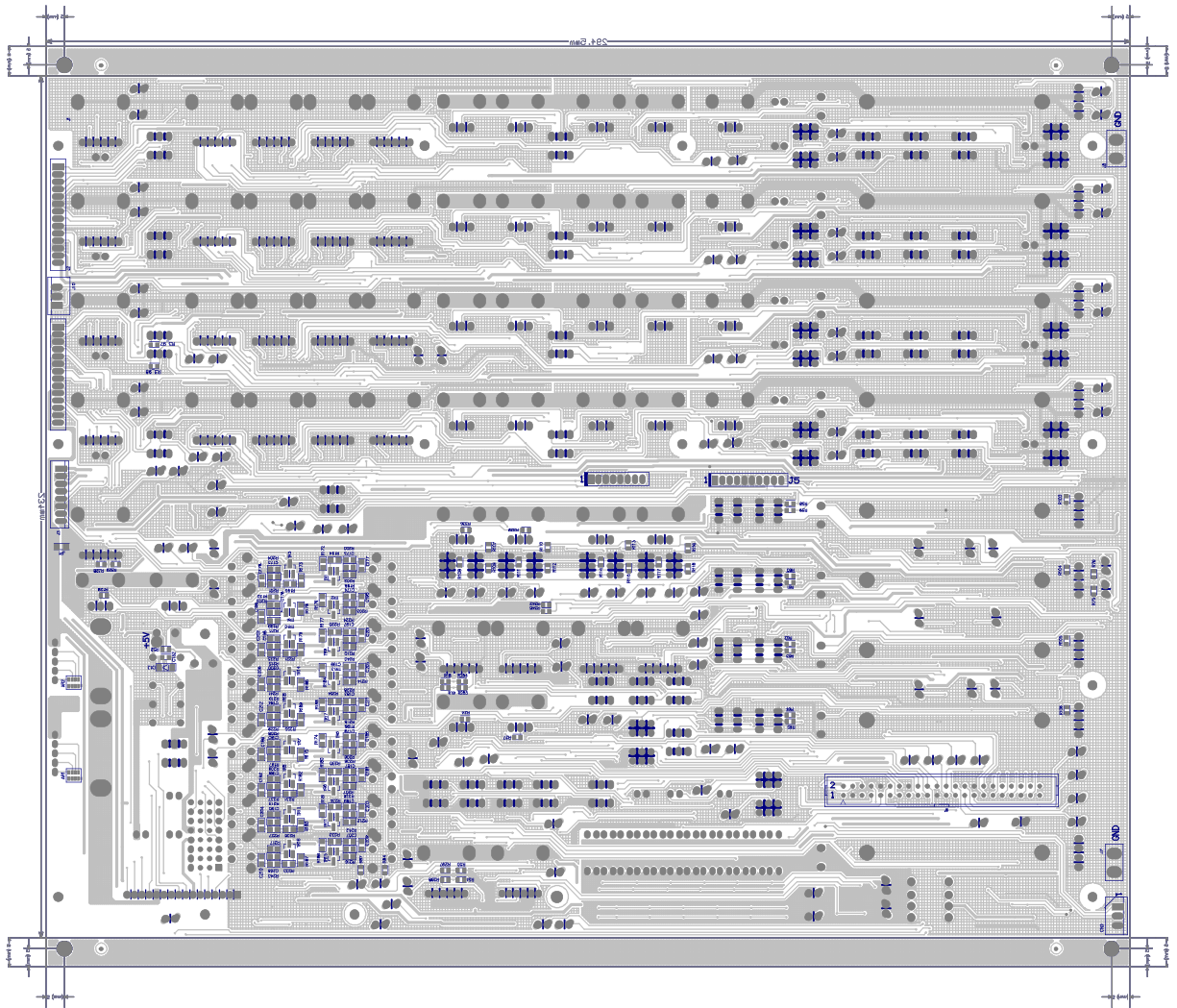
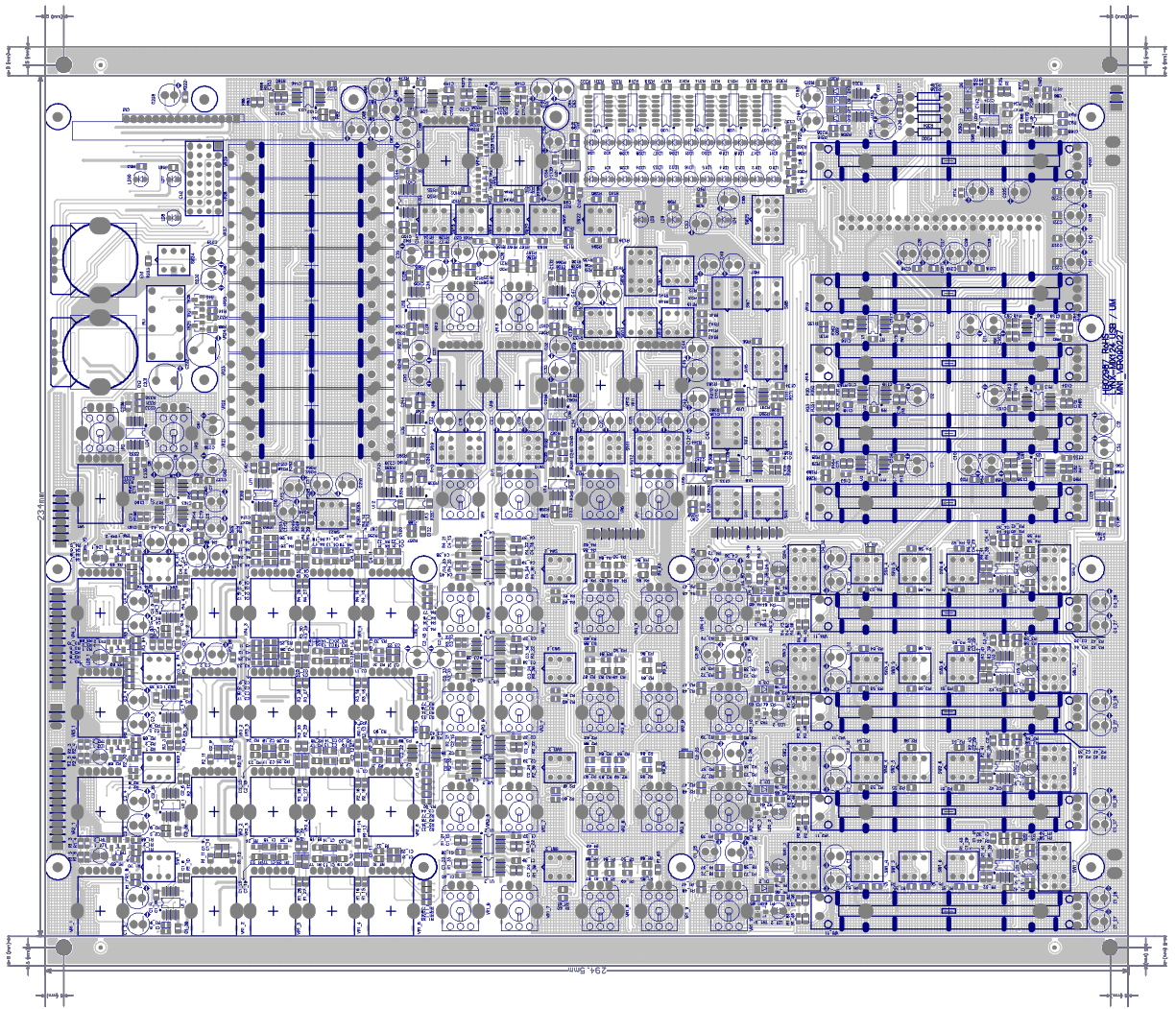
MN1

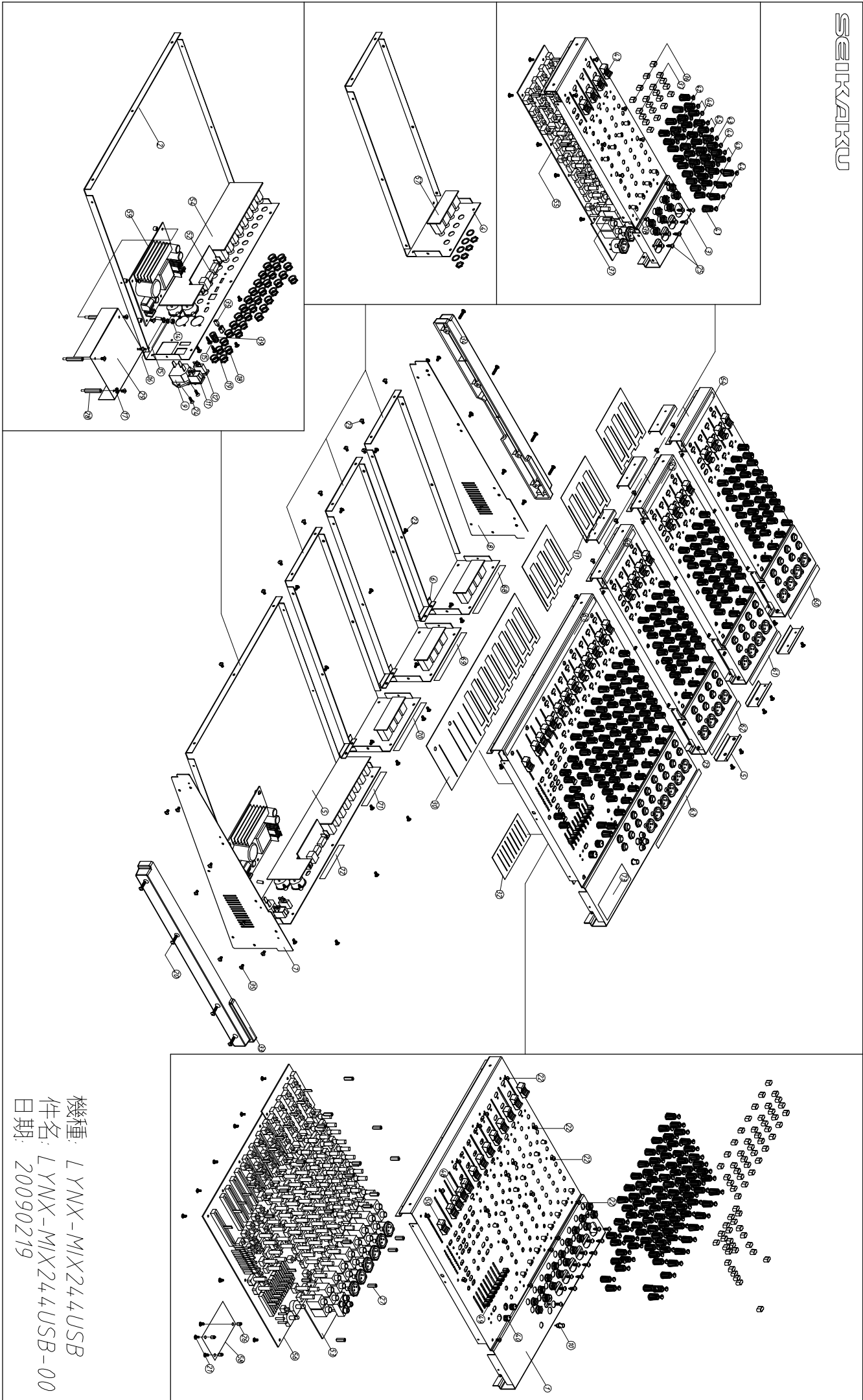
mms0.0+JOT ament
mm80.0+JOT asi2 sloH



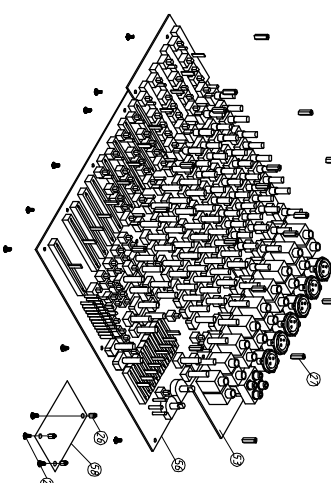
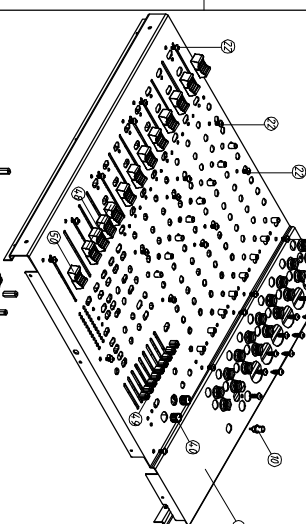
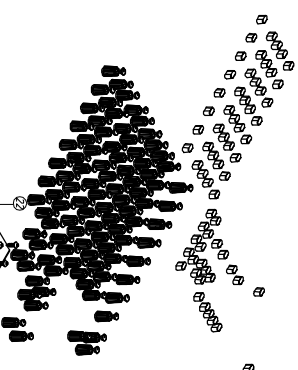
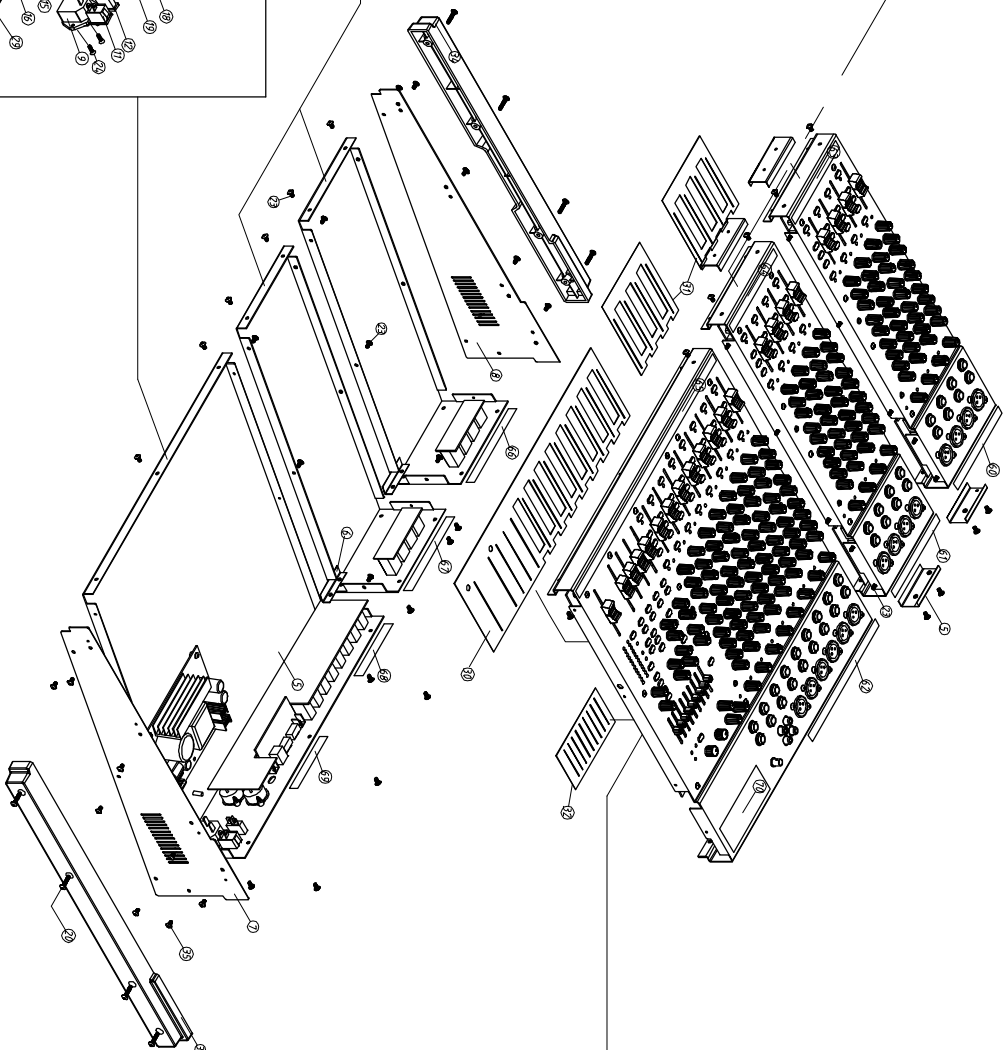
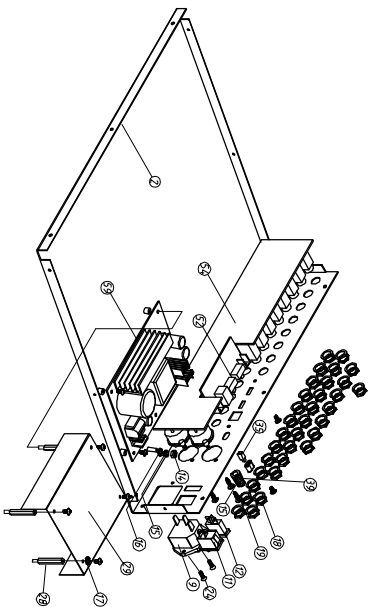
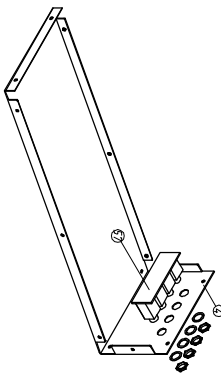
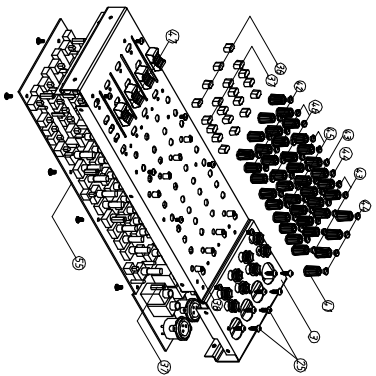




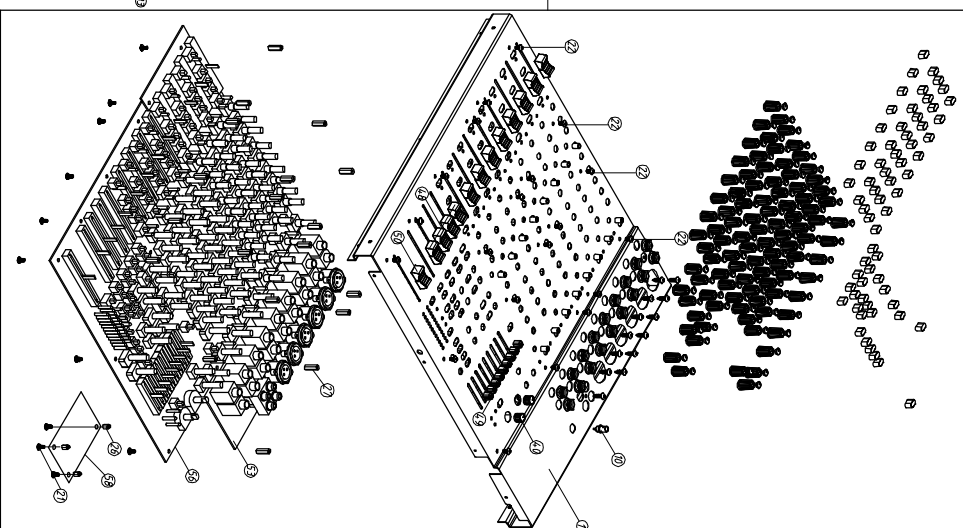
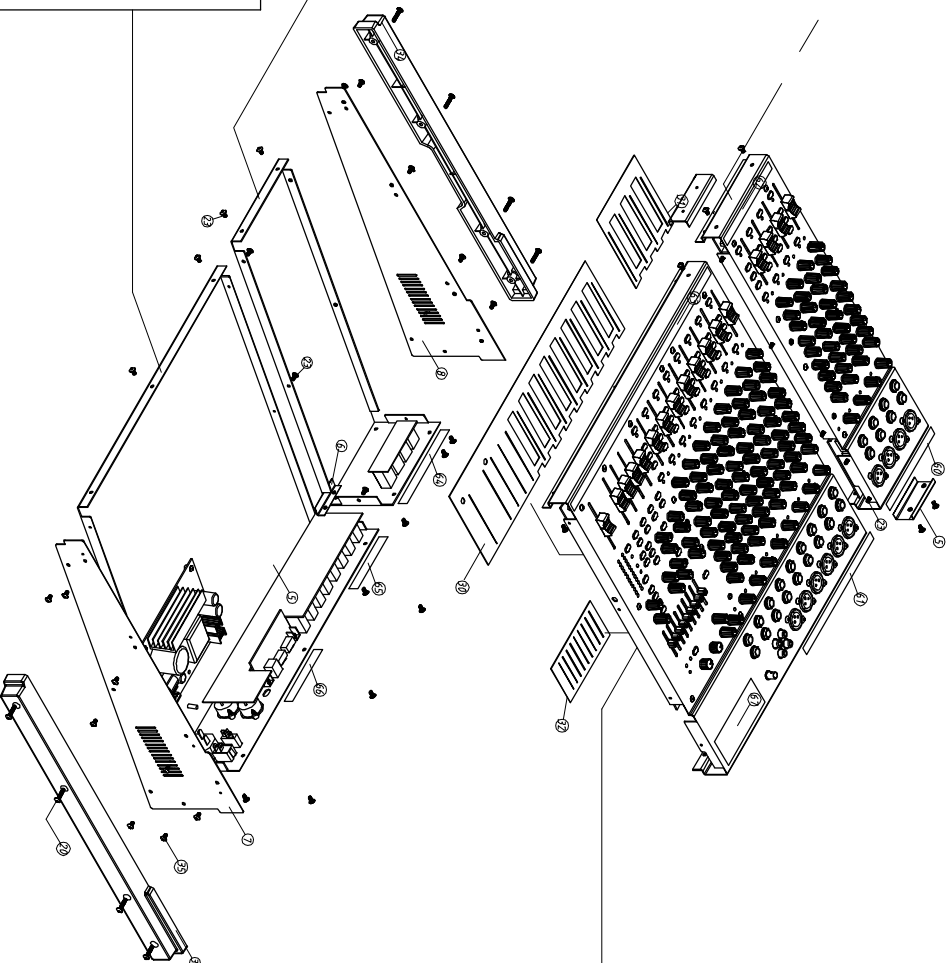
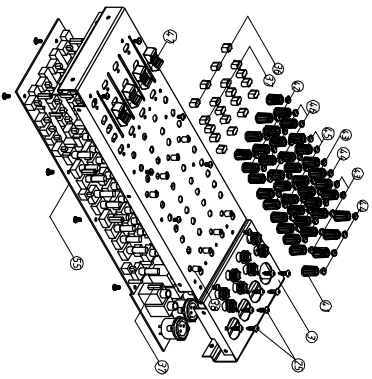
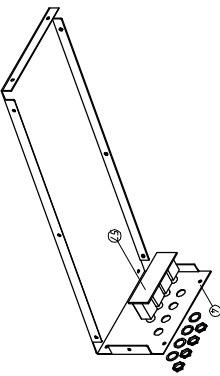
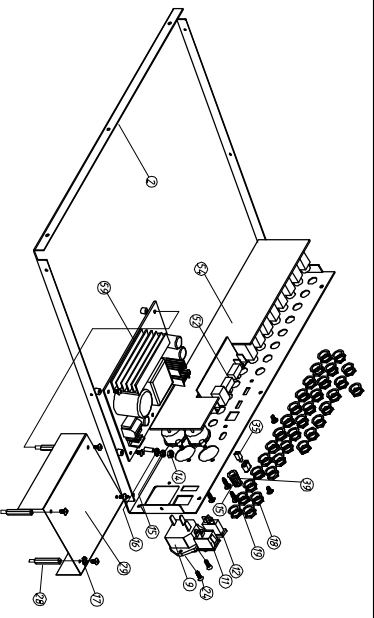




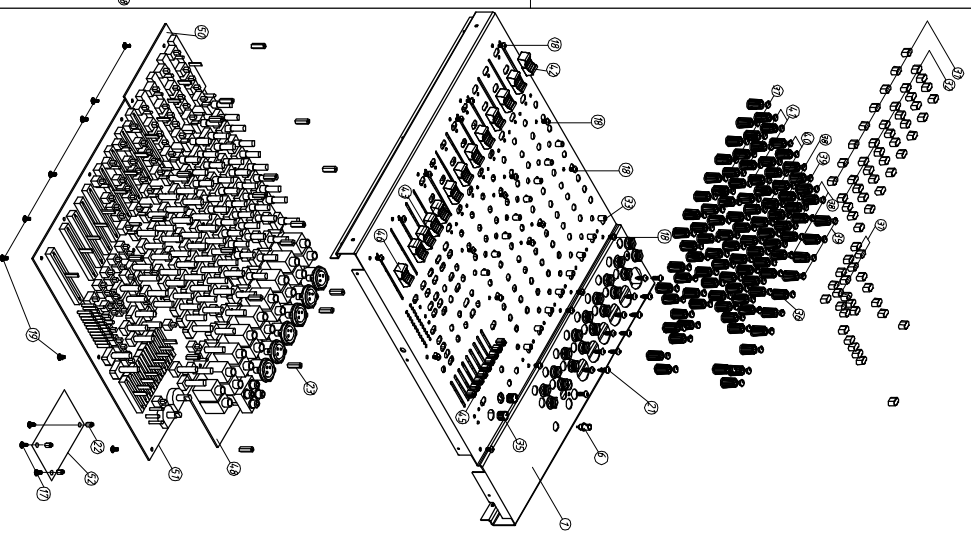
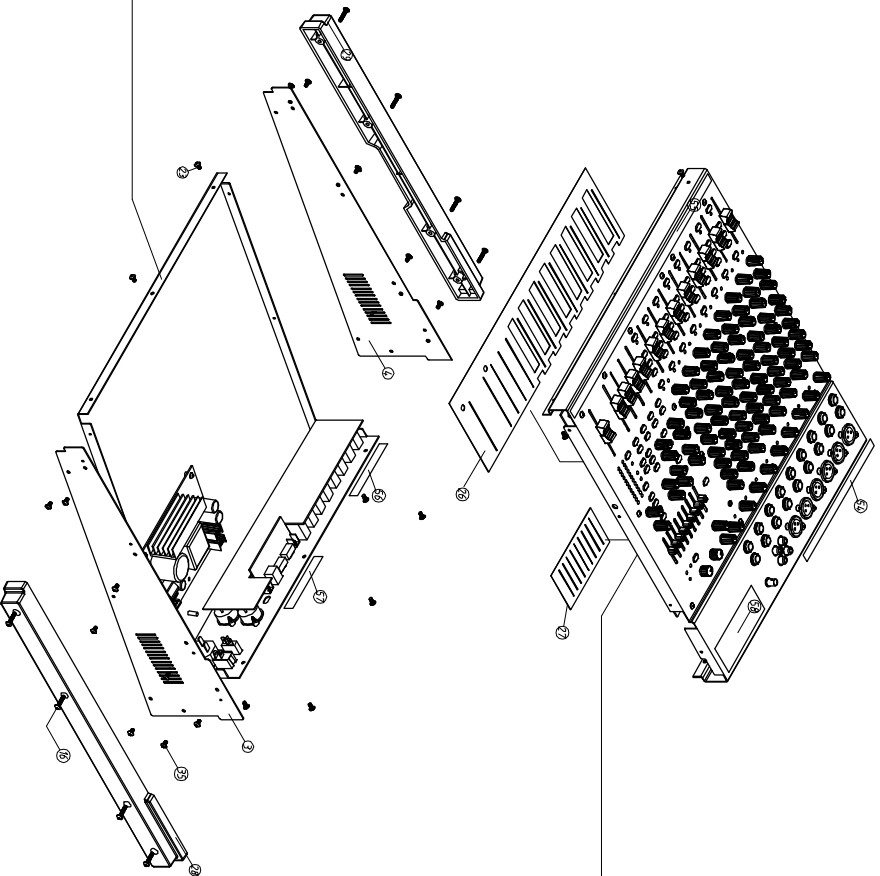
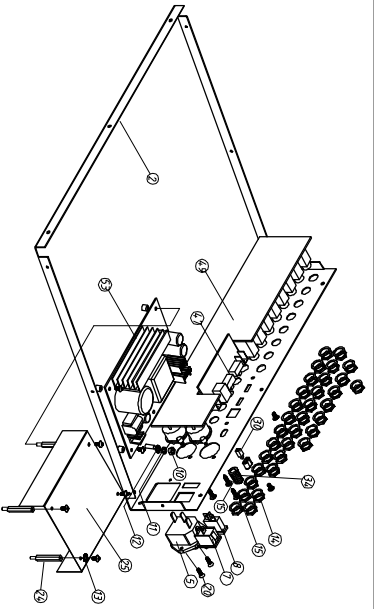
機種: LYNX-MIX244USB
 件名: LYNX-MIX244USB-00
 日期: 20090219



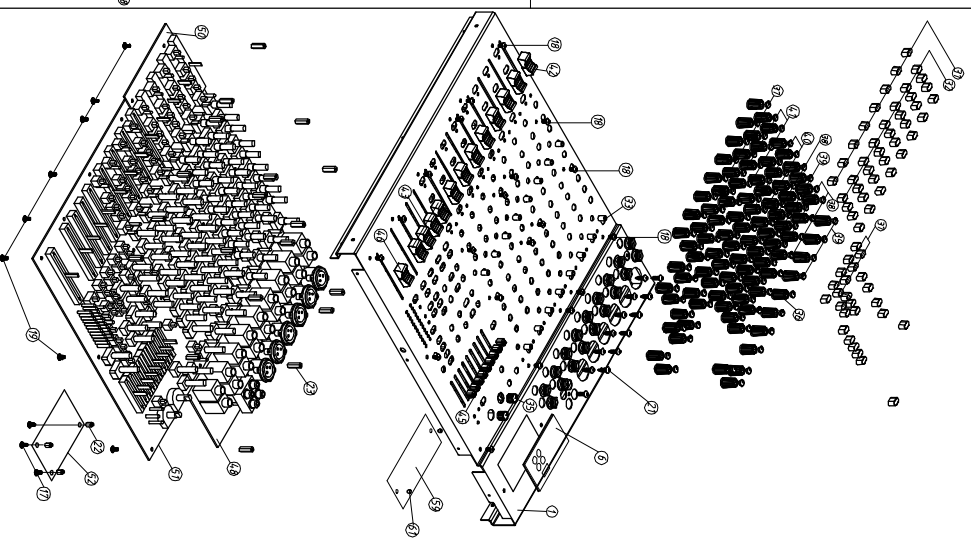
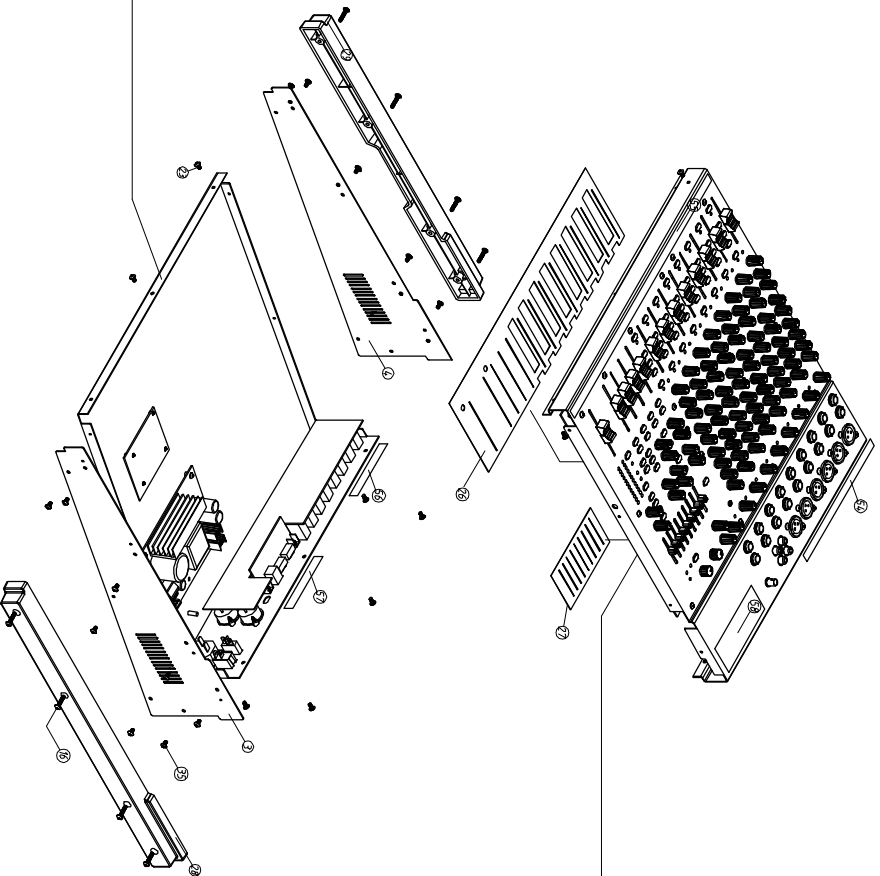
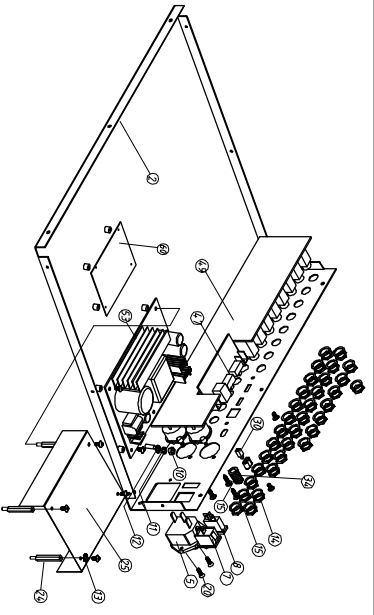
機種: LYNX-MIX204USB
 件名: LYNX-MIX204USB-00
 日期: 20090219



機種: L YNX-MIX164USB
 件名: L YNX-MIX164USB-00
 日期: 20090219



機種: LYNX-MIX124USB
 件名: LYNX-MIX124USB-00
 日期: 20090219



機種: LYNX-MIX124UM MKII
 件名: LYNX-MIX124UM MKII-00
 日期: 20090219

