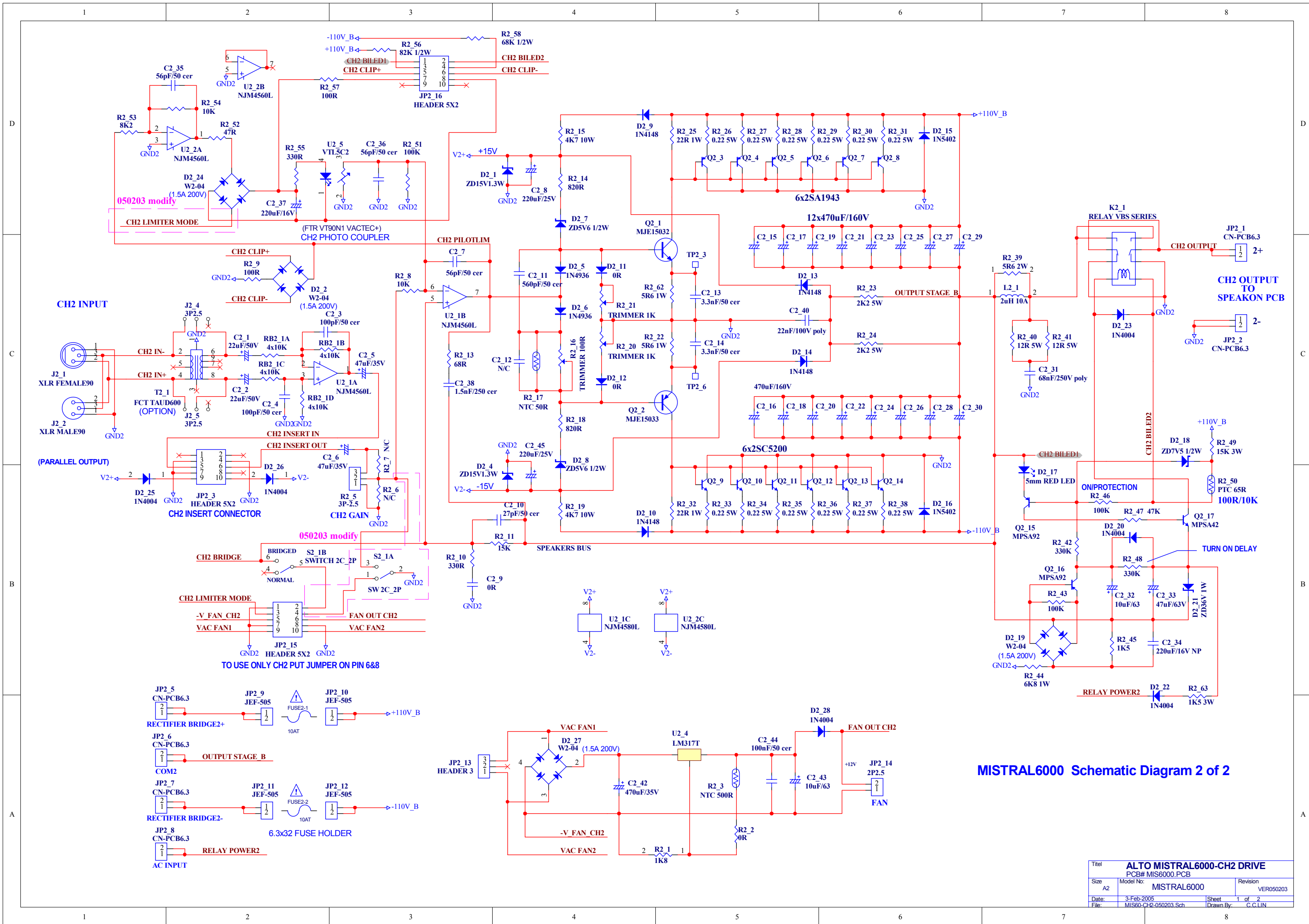


MISTRAL6000 Schematic Diagram 1 of 2

Titel			ALTO MISTRAL6000-CH1 DRIVE		
PCB#			MIS6000.PCB		
Size	Model No.	Revision			
A2	MISTRAL6000	1 of 2		VER050127	
Date:	27-Jan-2005	Sheet	1 of 2		
File:	MIS60-CH1.Sch	Drawn By:	C.C.LIN		



MISTRAL6000 Schematic Diagram 2 of 2

Titel			ALTO MISTRAL6000-CH2 DRIVE		
PCB# MIS6000.PCB					
Size	Model No:	MISTRAL6000		Revision	VER050203
A2					
Date:	3-Feb-2005	Sheet	1 of 2		
File:	MIS60-CH2-050203.Sch	Drawn By:	C.C.LIN		

D

C

B

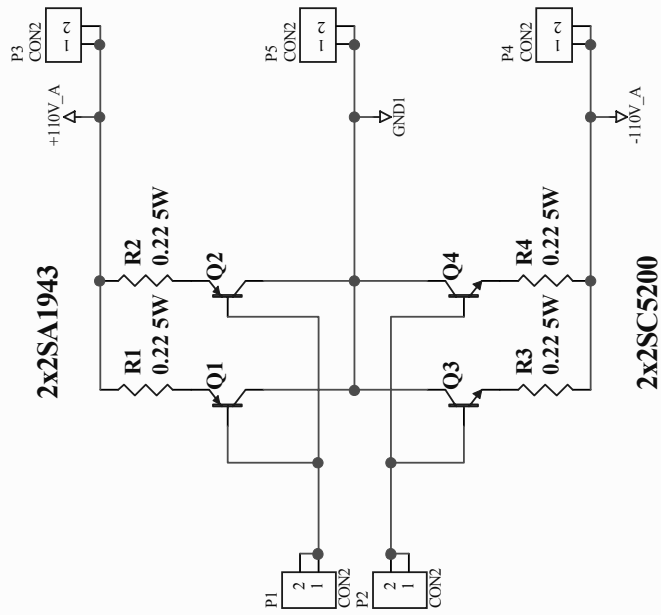
A

D

C

B

A



Titel **ALTO : MISTRAL6000 MAIN2-BOARD**

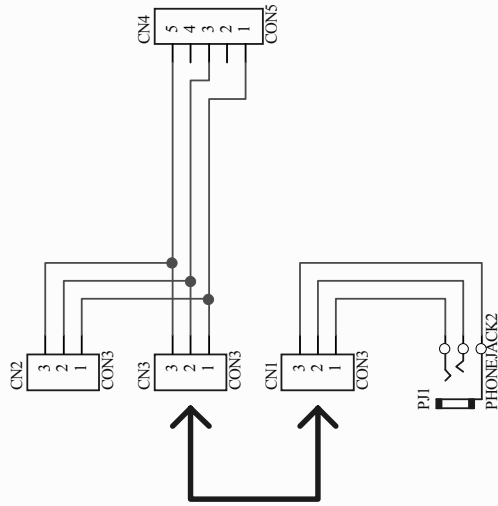
Size	A2	Model No:	MISTRAL6000	Revision	VER060127
Date:	27-Jan-2005	File:	MIS60MN2.Sch	Sheet	1 of 1
				Drawn By:	C.CLIN

D

C

B

A



ALTO : MISTRAL4000 INPUT

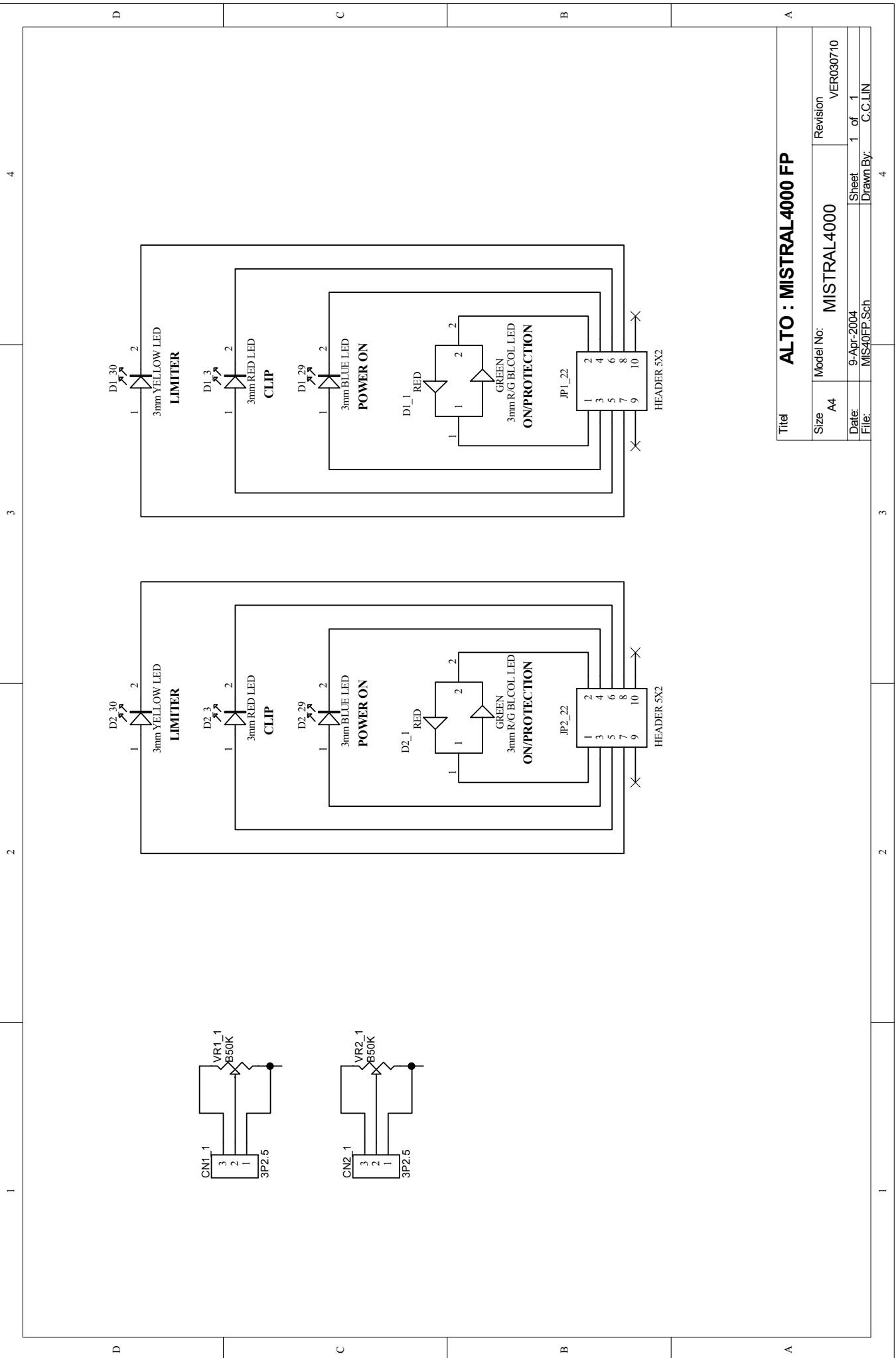
Titel	ALTO : MISTRAL4000 INPUT		
Size	A4	Model No:	MISTRAL4000
		Revision	VER031206
Date:	27-Jan-2005	Sheet	1 of 1
File:	MIS40IN.Sch	Drawn By:	C.C.LIN

D

C

B

A



Title		ALTO : MISTRAL4000 FP	
Size	A4	Model No:	MISTRAL4000
		Revision	VER030710
Date:	9-Apr-2004	Sheet	1 of 1
File:	MIS40FP.Sch	Drawn By:	C.C.LIN

4

3

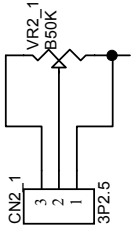
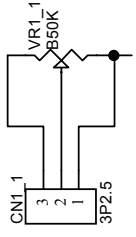
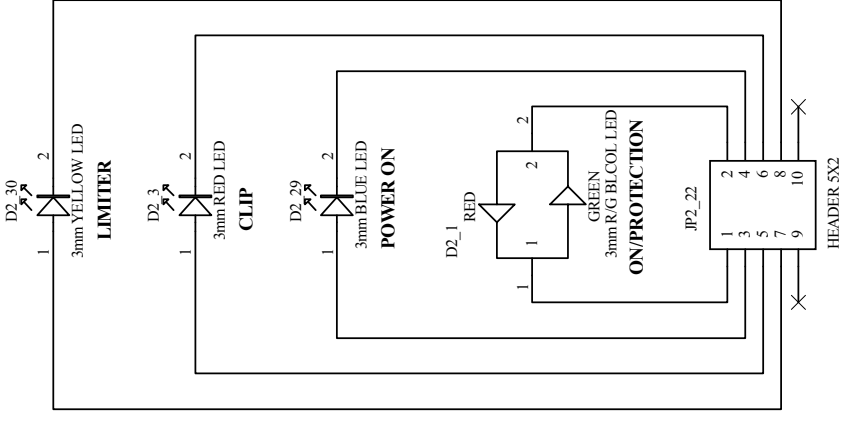
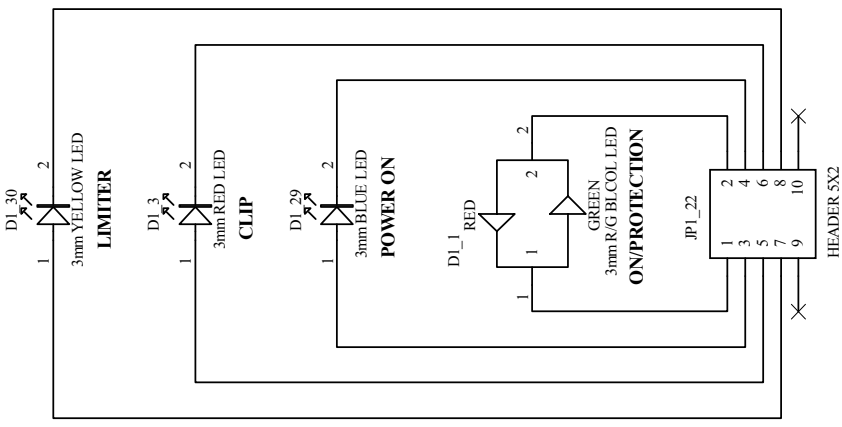
2

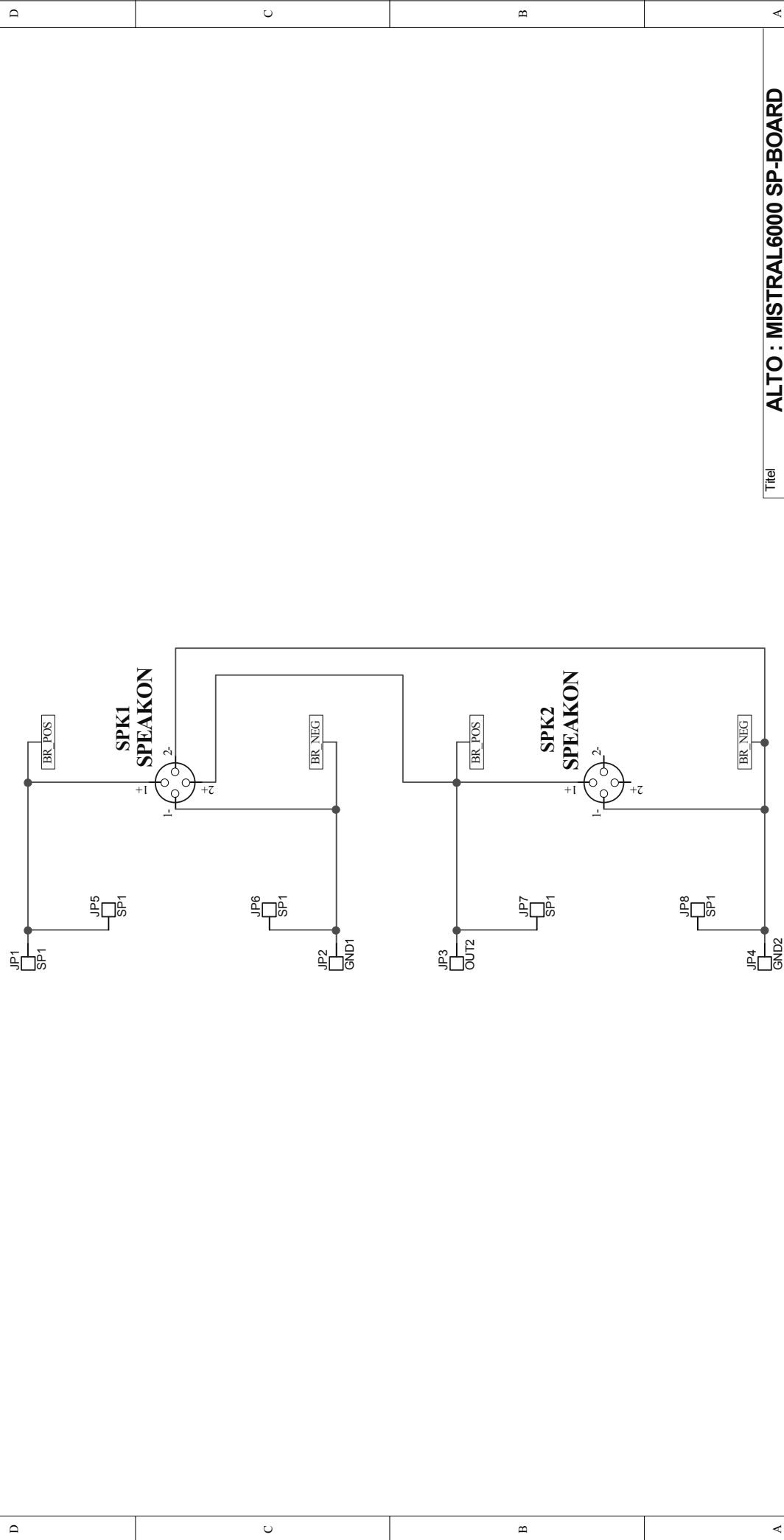
1

3

2

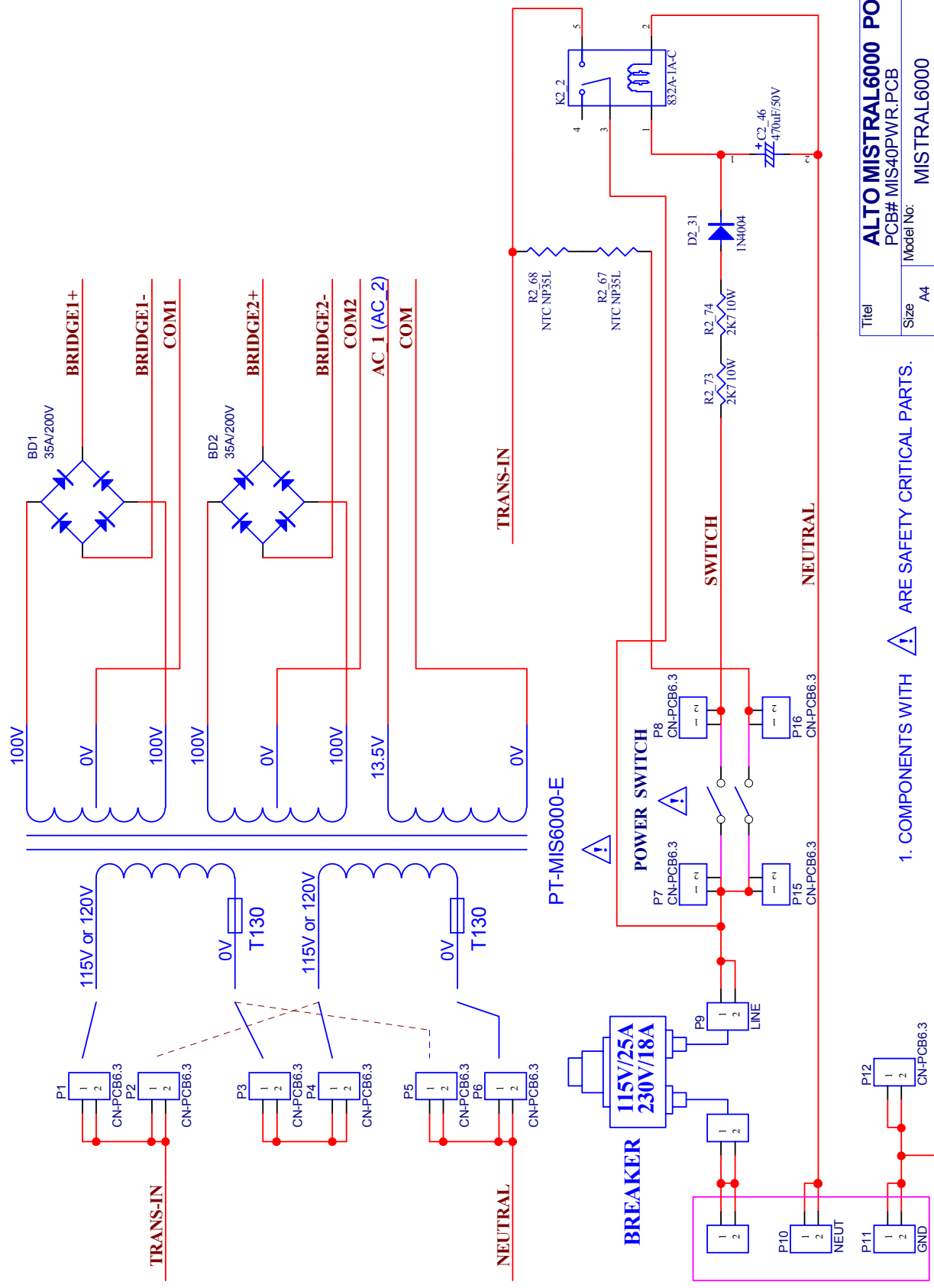
1





Titel ALTO : MISTRAL6000 SP-BOARD

Size	A2	Model No:	MISTRAL6000	Revision	VER060127
Date:	27-Jan-2005	File:	MIS60SP.Sch	Sheet	1 of 1
				Drawn By:	C.CLIN



Title		ALTO MISTRAL6000 POWER BOARD	
PCB#		MIS40PWR.PCB	
Size	A4	Model No.	MISTRAL6000
Date:	1-Feb-2005	Revision	VER060201
File:	MIS60PWR.Sch	Sheet	1 of 1
		Drawn By:	C.C.LIN

1. COMPONENTS WITH ARE SAFETY CRITICAL PARTS.