

Service Manual

Model: S-6

6 Channel Mixing Console



www.altoproaudio.com

Version: 1.2

ISSUE:2003.9.21

CONTENTS

- 1. Specification**
- 2. Block Diagram**
- 3. Schematic Diagram**
- 4. Printed Circuit Board**
- ~~**5. Wiring Diagram**~~
- ~~**6. Test Procedure**~~
- 7. Electrical Parts List**
- 8. Exploded Views & Mechanical Parts List**
- 9. Notes**

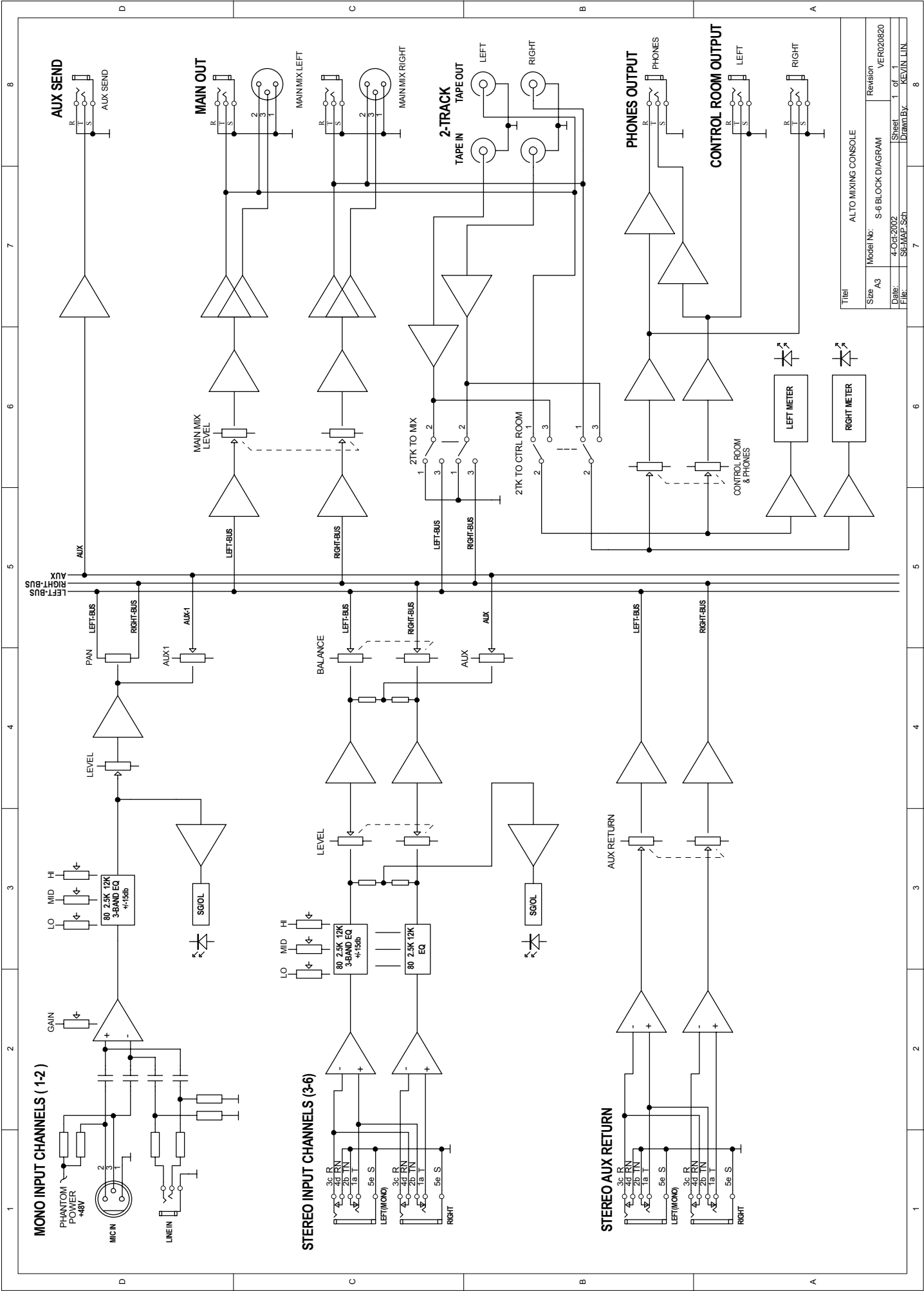
2. 功能特性介紹說明(FEATURE)

The **S-6** is 2 mono MIC/LINE channels with MIC PREAMPS plus 2 stereo channels perfect for keyboards, MIDI equipment or other stereo sound sources and a 2-track input/output for recording and playback in a mixer small enough to carry in your board luggage: meet the ALTO S-6. In spite of its size, you can find great 3-band equalizers in each channel plus switchable low-cut filters in the mono channels, one AUX sends, one stereo returns, phantom power and accurate peak LED and level meters. Plus of course our ultra low noise circuitry and exceptional build quality.

- 2 MIC Input Channels with gold plated XLRs and balanced Line Inputs.
- 2 Stereo Input Channels with balanced TRS Jacks.
- Ultra-low noise discrete Mic Preamps with +48 V Phantom Power.
- Extremely high headroom – offering more dynamic range.
- Balanced Inputs for highest signal integrity.
- Warm, natural 3-band EQ on each channels.
- Peak LEDs and switchable low-Cut Filter on each Channels.
- 1 AUX Sends per channel for external effects and monitoring.
- Balanced TRS and XLR outputs, Control Room and Headphone Outputs.
- 2-Track Inputs assignable to Main Mix, Control Room / Headphone Outputs.
- Highly accurate 8 segment Bar graph Meters.
- Inserts on MIC channels.
- performance and excellent noise figures
- Rugged construction ensures long life even under the most demanding conditions
- Manufactured under ISO9001 certified management system

Features:

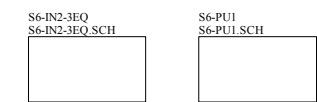
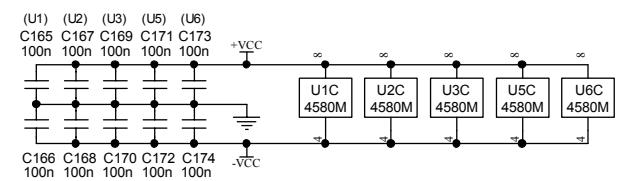
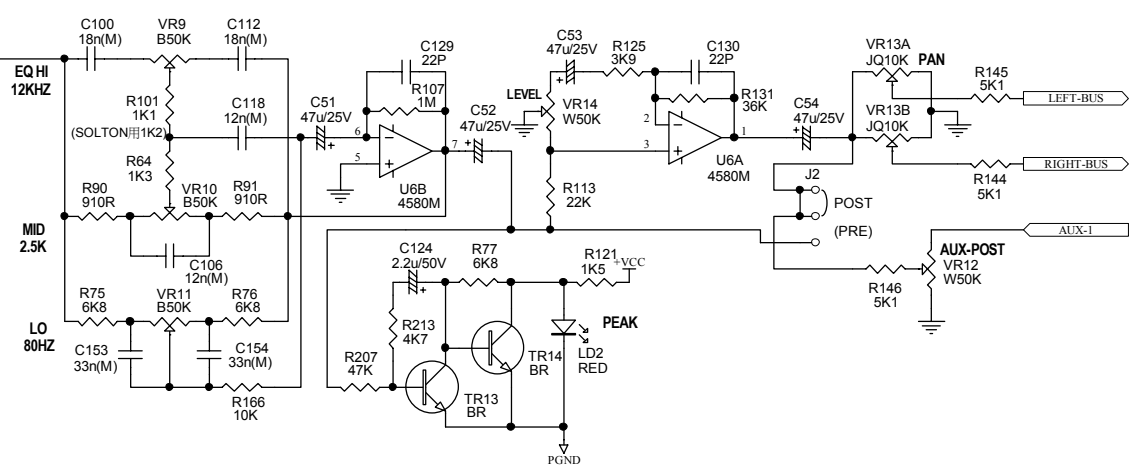
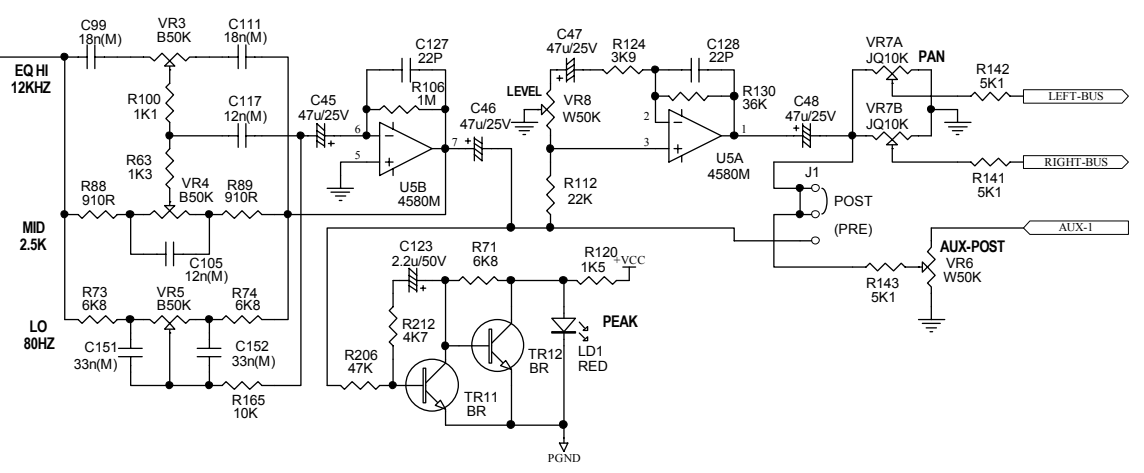
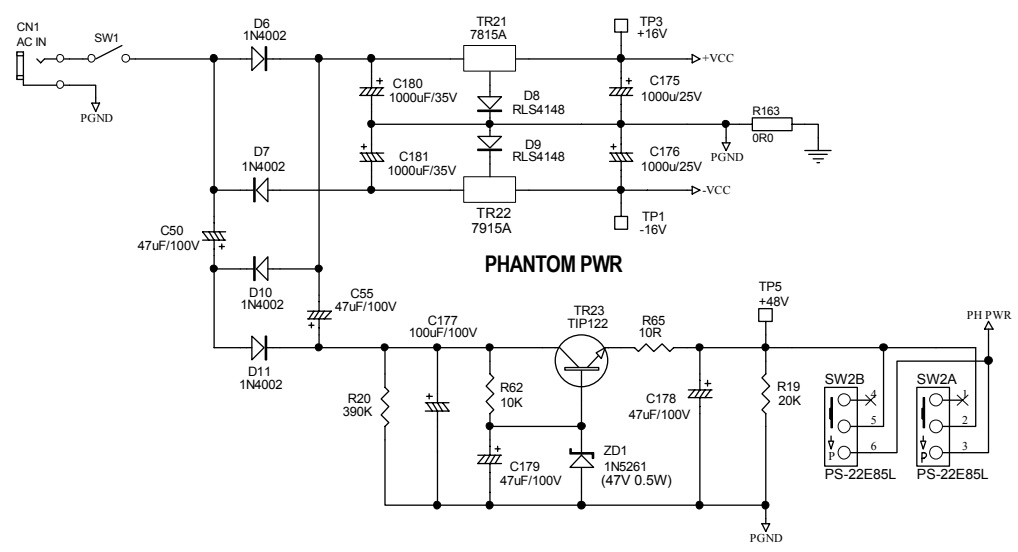
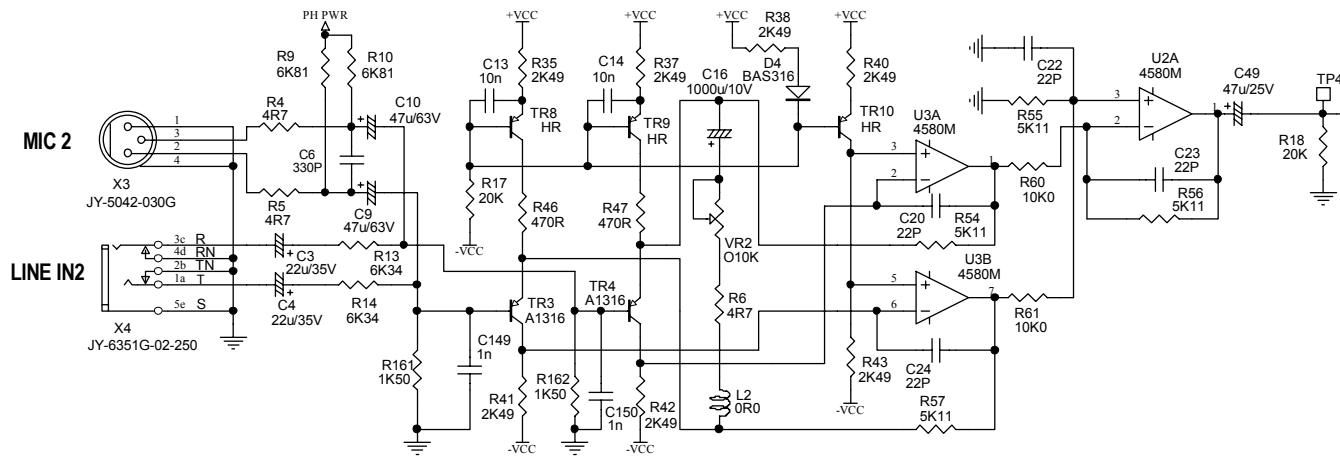
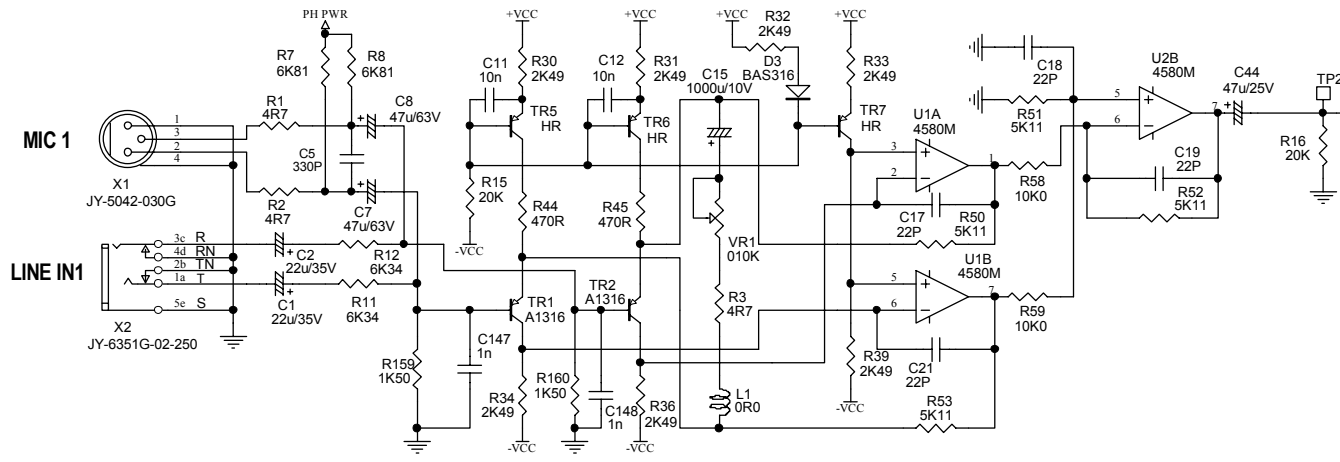
Function	description	notes
Channel inputs	6	
Mono channels	2	
Stereo channels	2	
MIC PREAMPS	2	
EQ (mono channels)	3-band	
EQ (stereo channels)	3-band	
Aux sends	1	
Stereo aux returns	1	
2-track input/output	1	
Phantom power	+48 V	



Title		ALTO MIXING CONSOLE	
Size	Model No.	Revision	VER020820
A3	S-6 BLOCK DIAGRAM	1	1
Date:	4-Oct-2002	Sheet	1 of 1
File:	SEMAP.Sch	Drawn By:	KEVIN LIN

8 7 6 5 4 3 2 1

D C B A



NOTE: 1. [HR]:2SA1036K
2. [BR]:2SC2412K

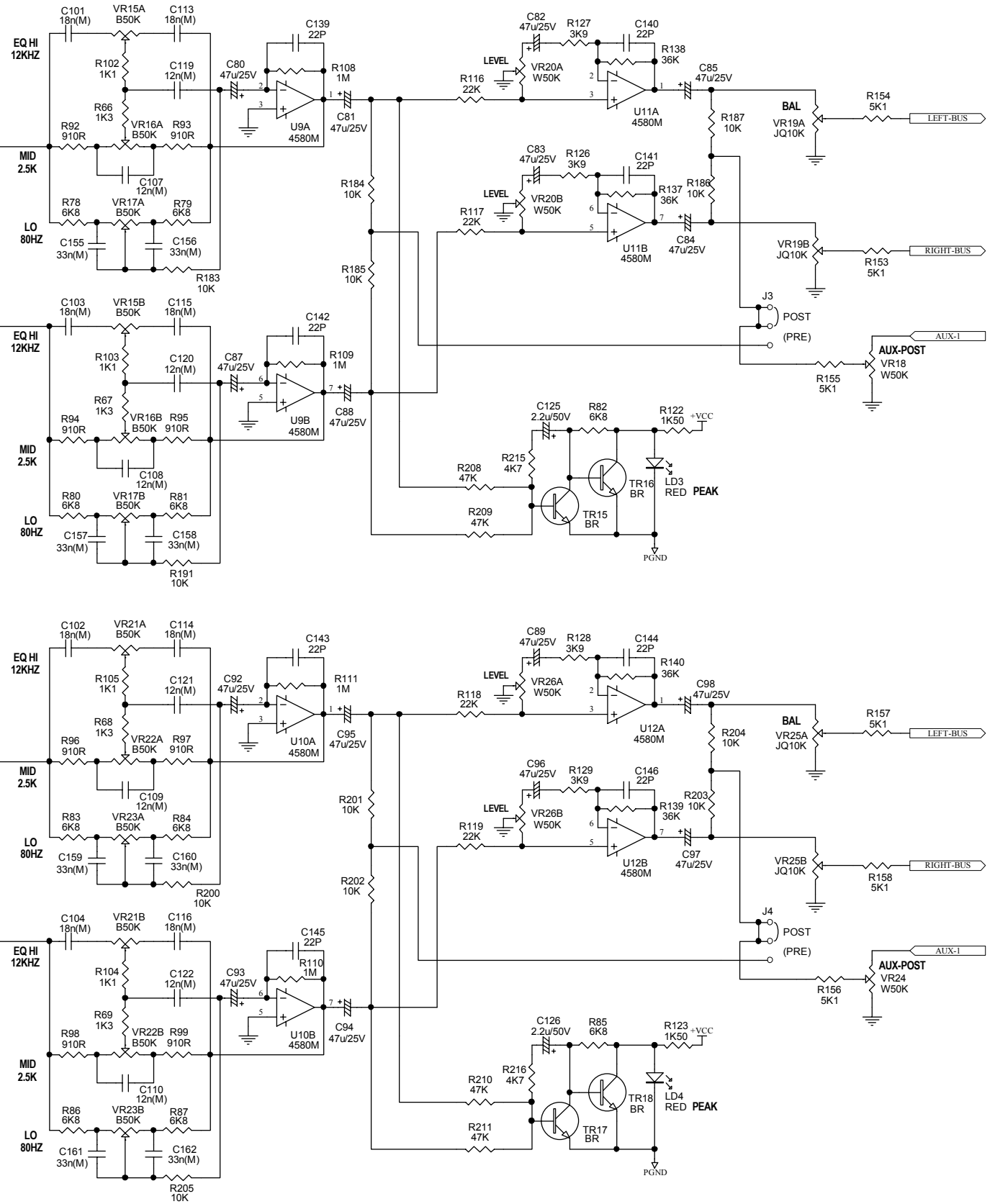
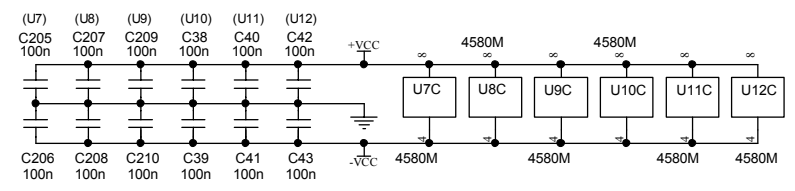
Title: INPUT STAGE (CH1-CH4)		
Size: A2	Model No: ALTO S-6	Revision: VER020915
Date: 19-Sep-2003	Sheet: 1 of 3	
File: S6-IN1-3EQ.Sch	Drawn By: KEVIN LIN	

LINE IN 5/6
LEFT(MONO)

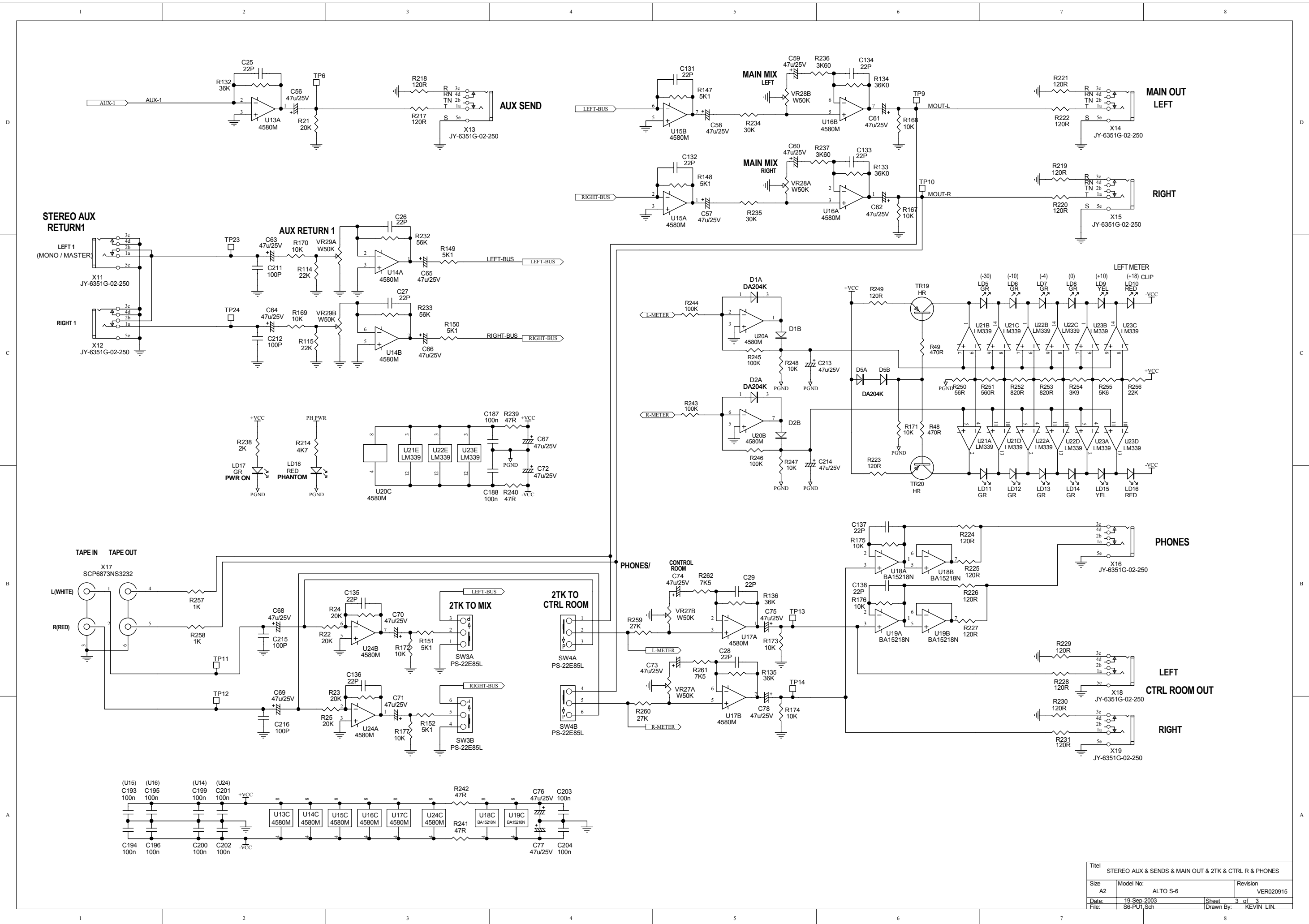
RIGHT
JY-6351G-02-250

LINE IN 7/8
LEFT(MONO)

RIGHT
JY-6351G-02-250



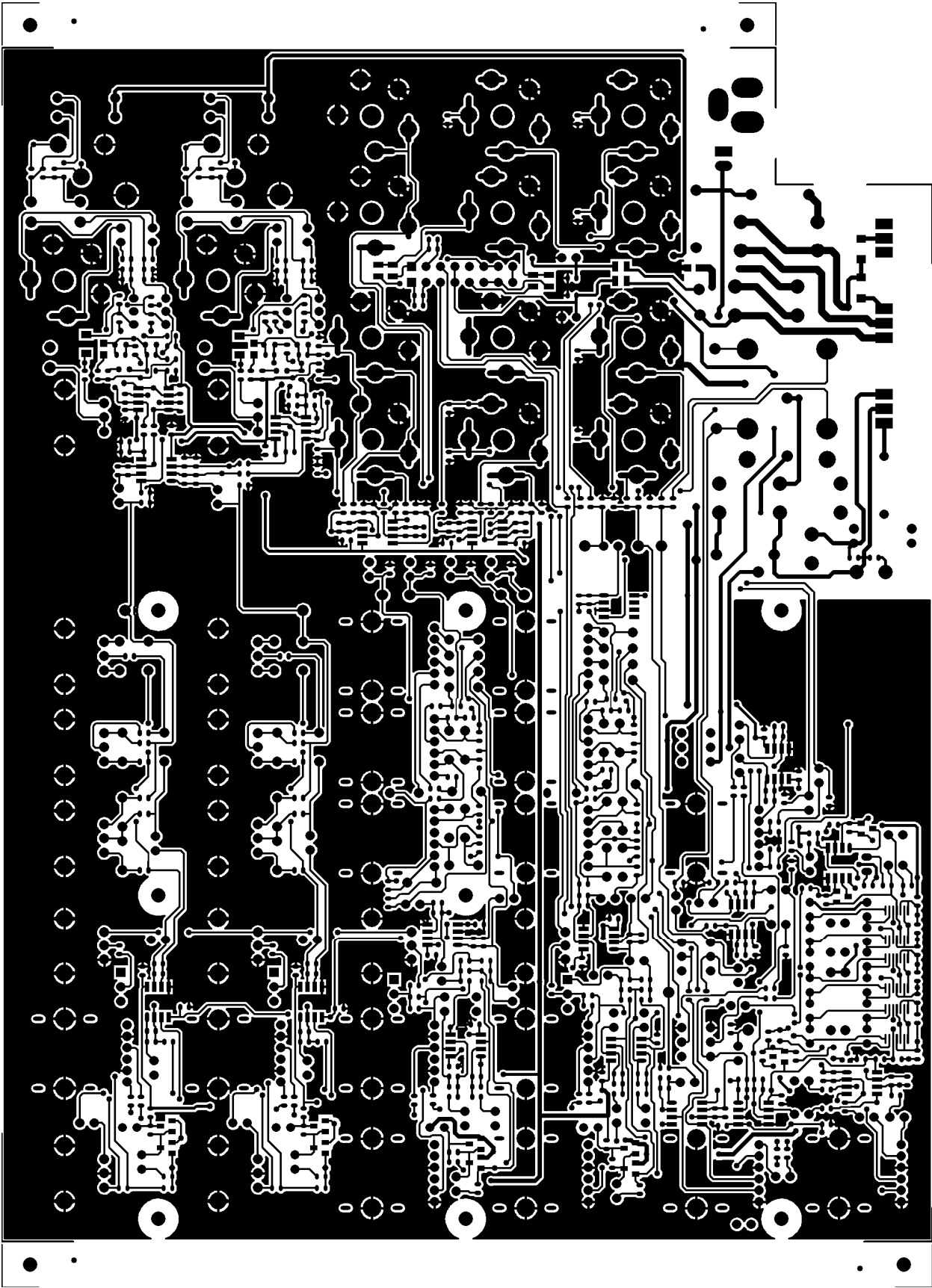
Title			INPUT STAGE (CH3-CH6)		
Size	A2	Model No:	ALTO S-6	Revision	VER020915
Date:	19-Sep-2003	Sheet	2 of 3		
File:	S6-IN2-3EQ.Sch	Drawn By:	KEVIN LIN		



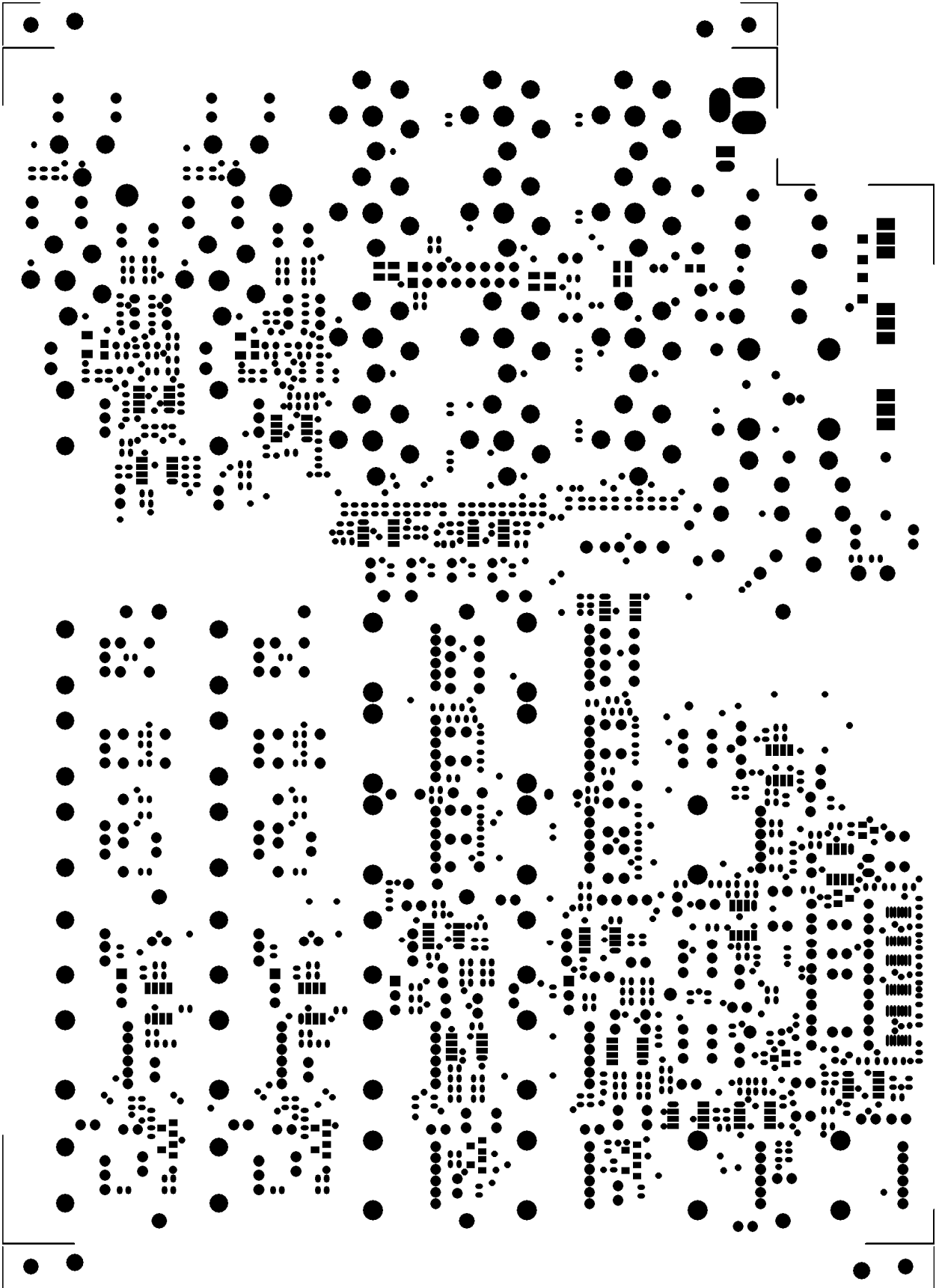
Title: STEREO AUX & SENDS & MAIN OUT & 2TK & CTRL R & PHONES			
Size: A2	Model No: ALTO S-6	Revision: VER020915	
Date: 19-Sep-2003	Sheet: 3 of 3	Drawn By: KEVIN LIN	
File: S6-PU1.Sch			

6. PCB LAYOUT

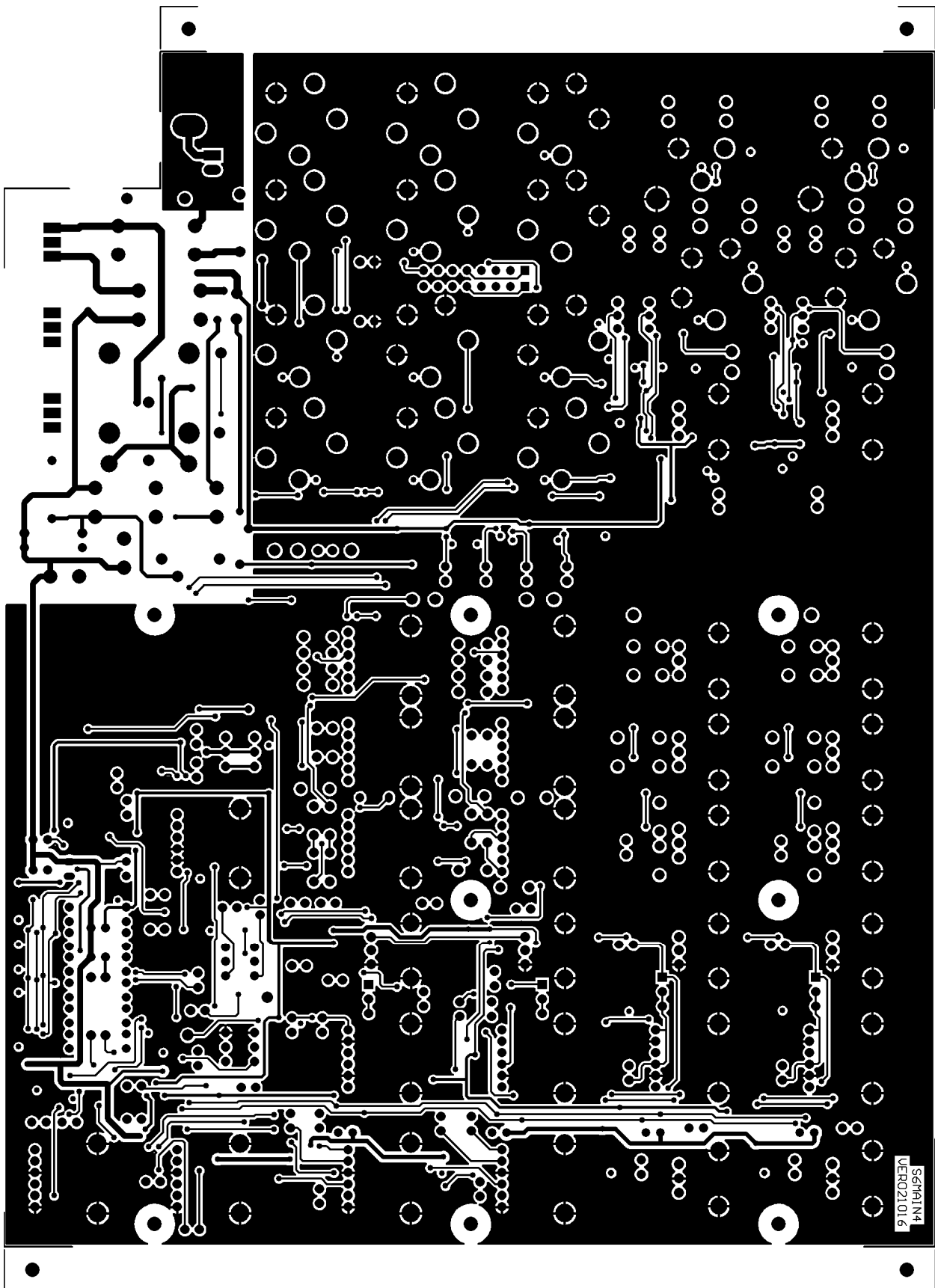
PCB#S6MAIN4 TOP LAYER



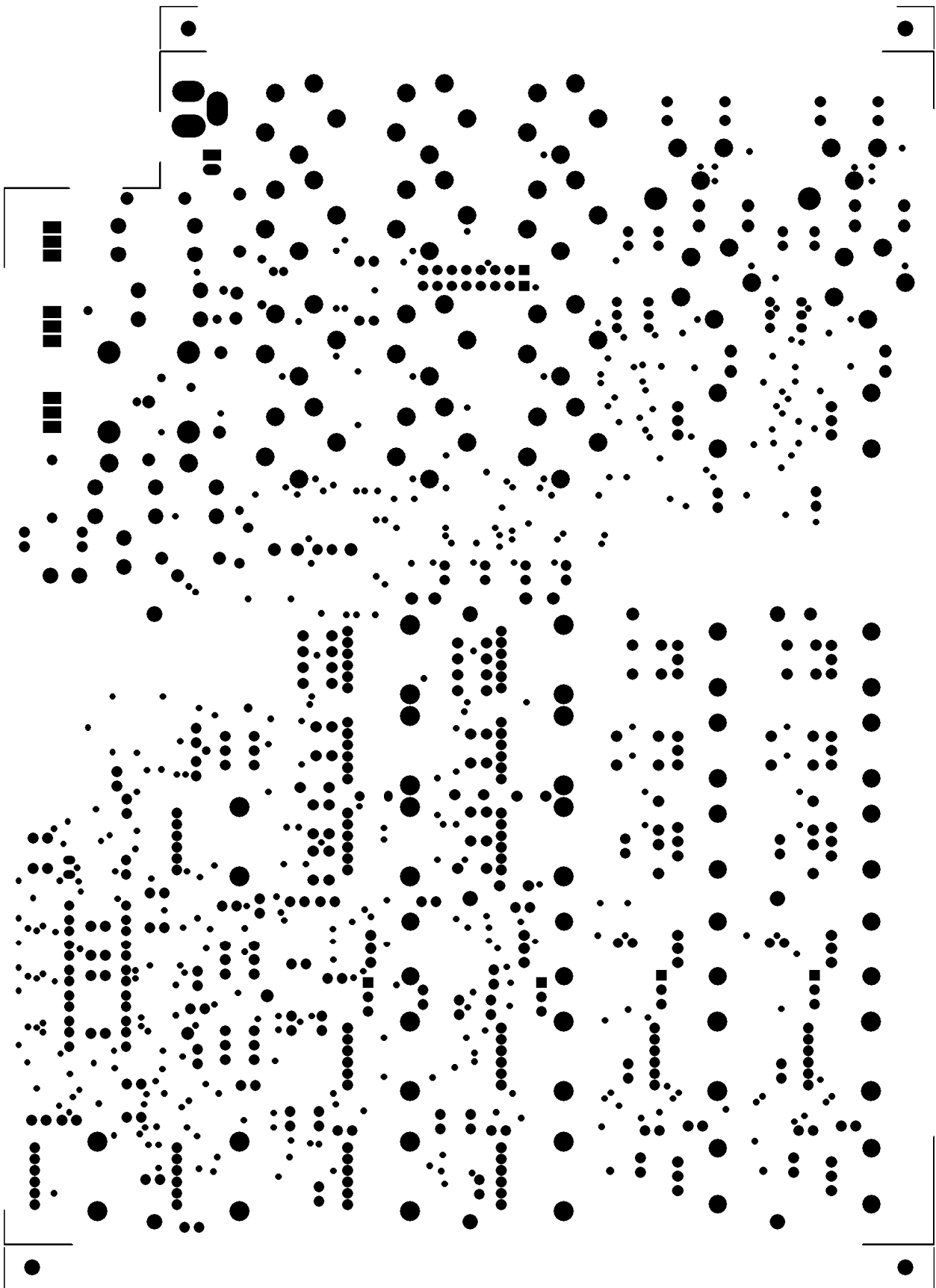
PCB#S6MAIN4 TOP SOLDER MASK



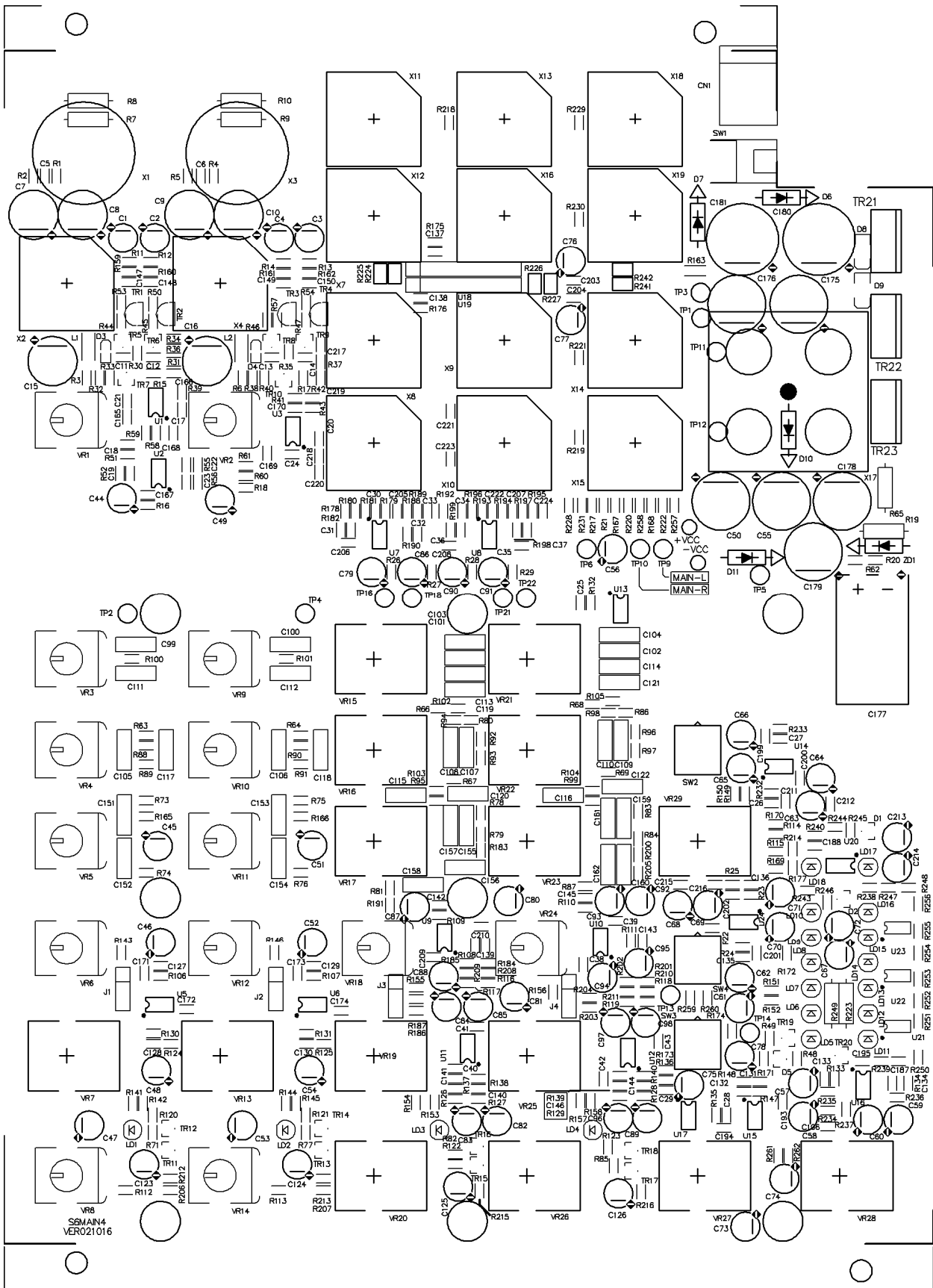
PCB#S6MAIN4 BOTTOM LAYER

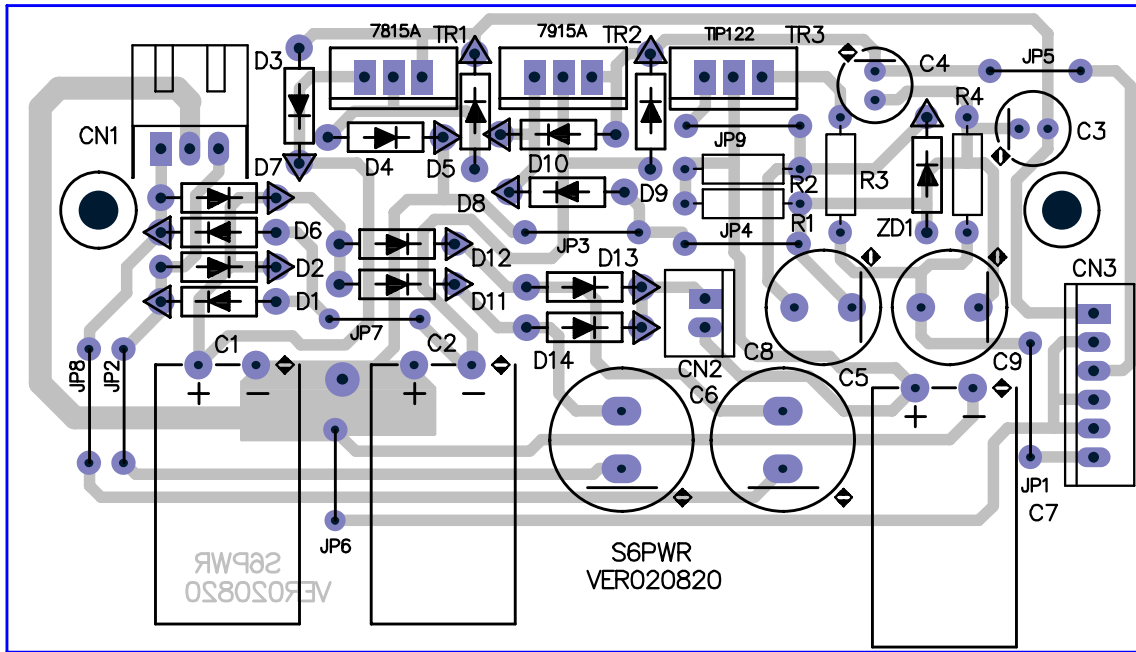


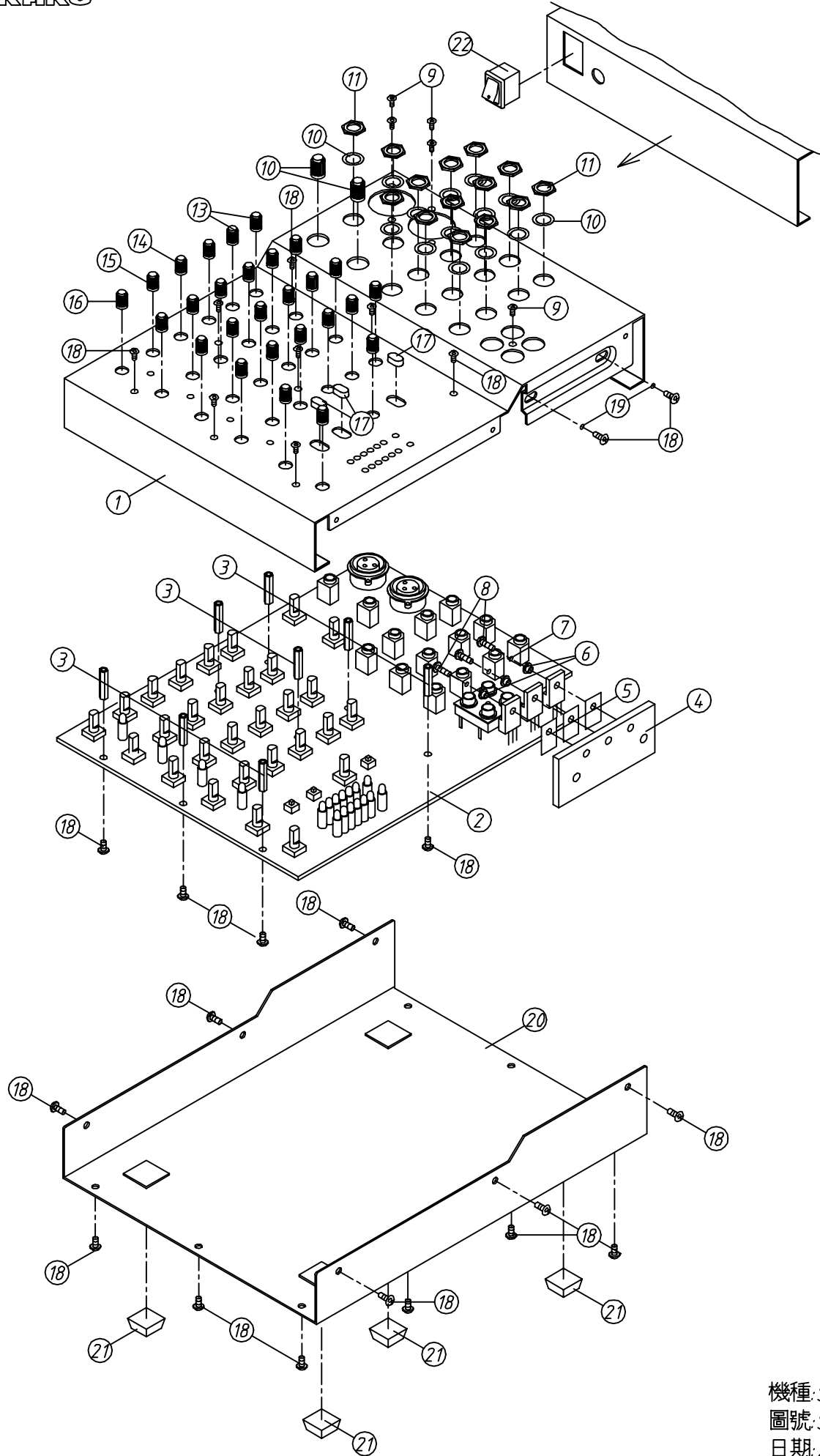
PCB#S6MAIN4 BOTTOM SOLDERMASK



PCB#S6MAIN4 SILKSCREEN TOP LAYER







機種: S-6
圖號: S6-00
日期: 2002/10/4

