

Service *Manual*

MODEL: TS212S/TS215S/TS218S

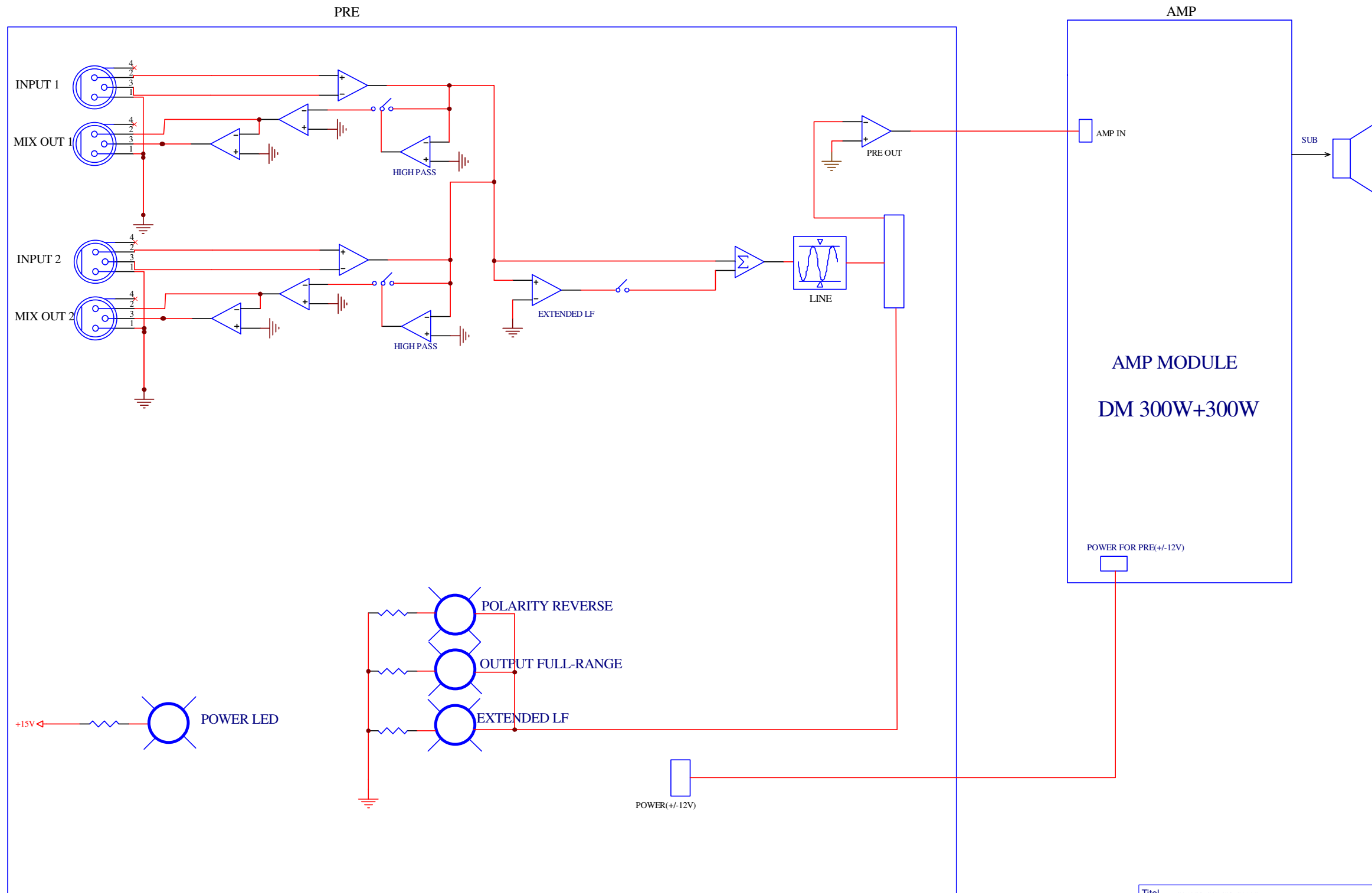


Version 1.0 revised on Jun, 2016

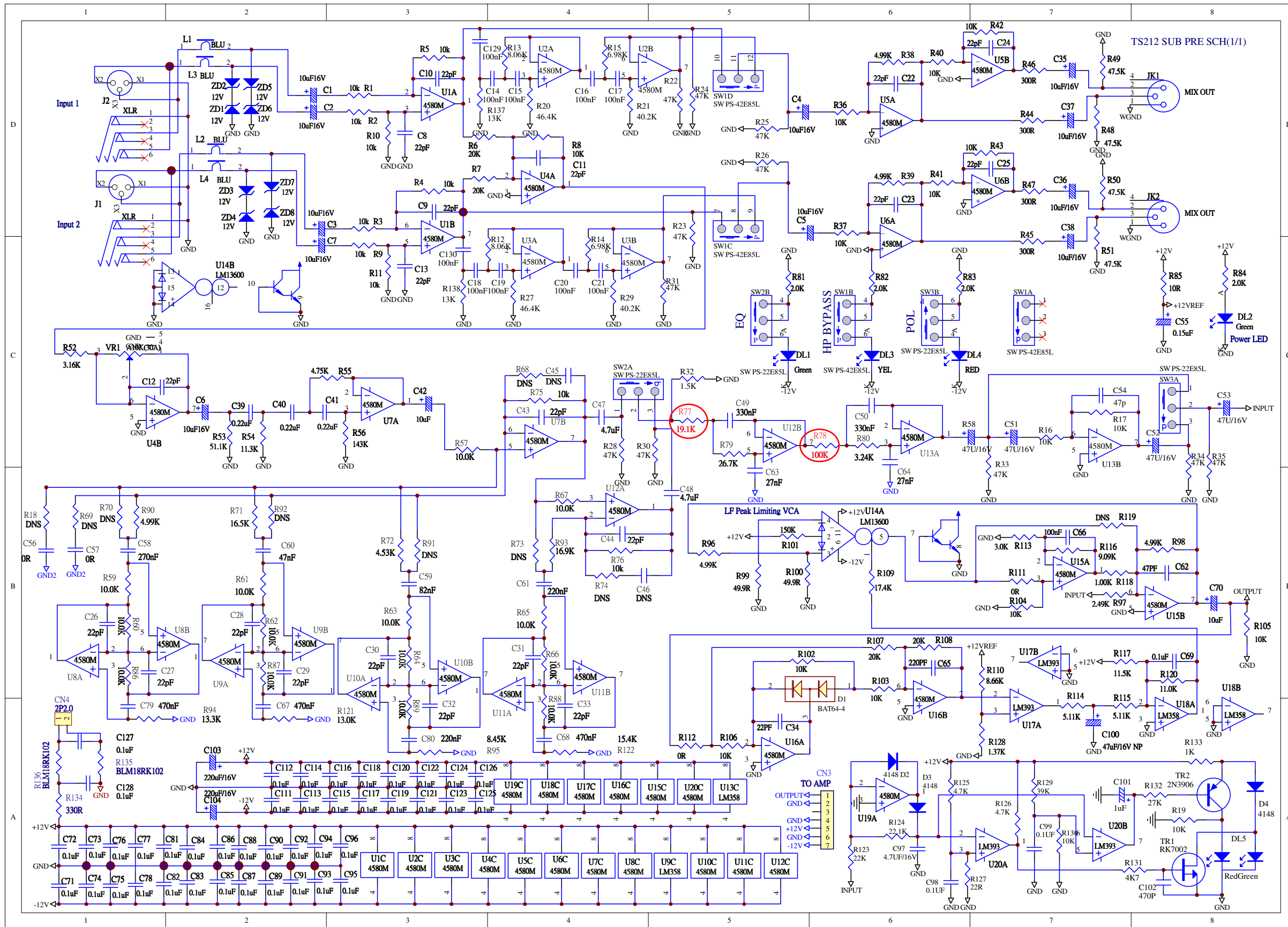
CONTENTS

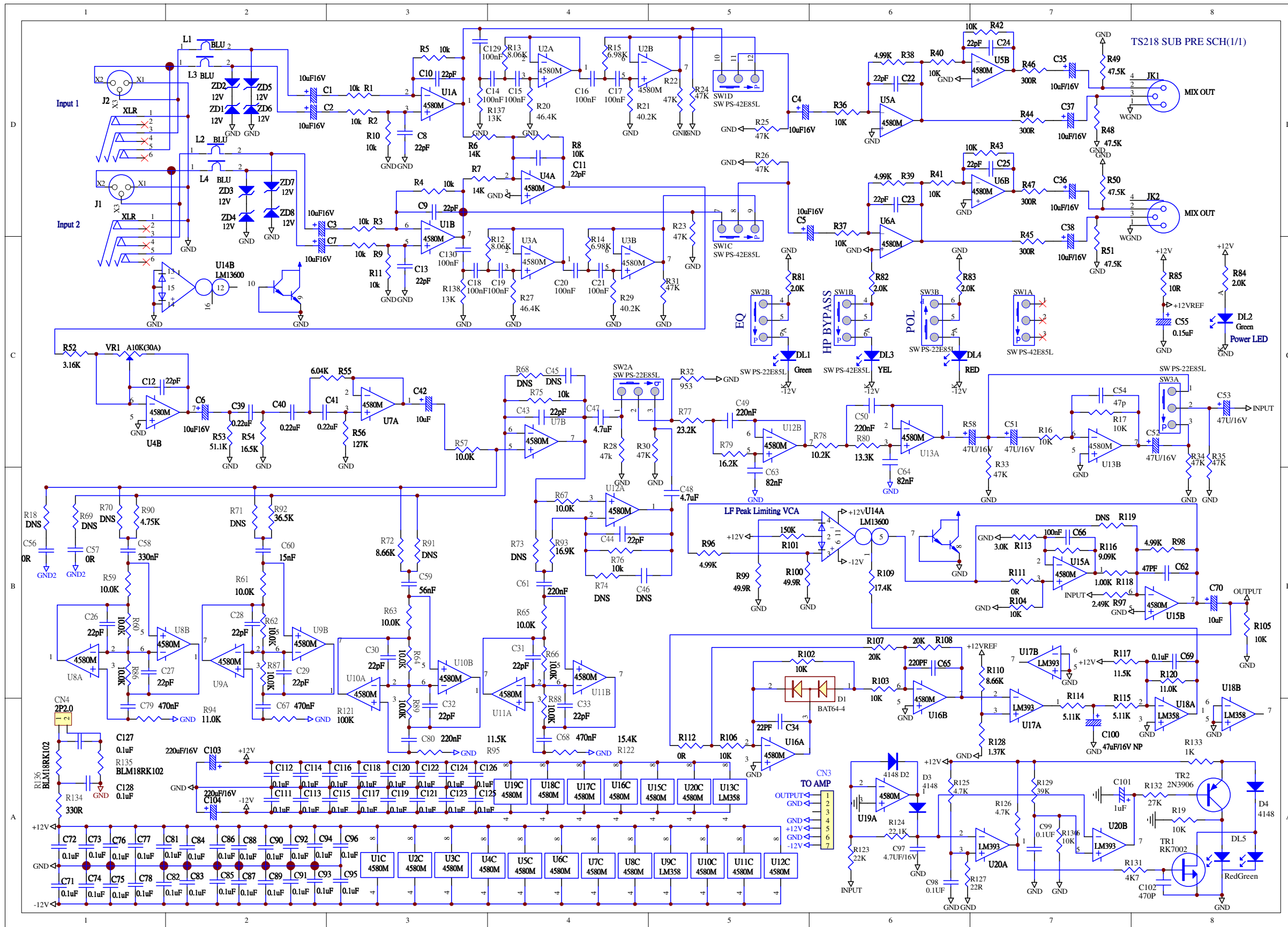
1. BLOCK DIAGRAM.....	1
2. SCHEMATIC DIAGRAM	2
3. WIRING DIAGRAM.....	6
4. EXPLODED VIEW & MECHANICAL PARTS LIST.....	7
5. BOM.....	13

TS212/215/218S Block Diagram



Titel TS212S/TS215S/TS218S		
Size A3	Model No:	Revision
Date:	Sheet 1 of 1	
File:	Drawn By: fanweizeng	





TS218 SUB PRE SCH(1/1)

MIX OUT

MIX OUT

+12V

+12VREF

+12VREF

DL2 Green Power LED

INPUT

OUTPUT

+12VREF

+12V

+12V

+12V

+12V

+12V

+12V

+12V

+12V

+12V

+12V

+12V

+12V

+12V

+12V

+12V

+12V

+12V

+12V

+12V

+12V

+12V

+12V

+12V

+12V

+12V

+12V

+12V

+12V

+12V

+12V

+12V

+12V

+12V

+12V

+12V

+12V

+12V

+12V

+12V

+12V

+12V

+12V

+12V

+12V

+12V

+12V

+12V

+12V

+12V

+12V

+12V

+12V

+12V

+12V

+12V

+12V

+12V

+12V

+12V

+12V

+12V

+12V

+12V

+12V

+12V

+12V

+12V

+12V

+12V

+12V

+12V

+12V

+12V

+12V

+12V

+12V

+12V

+12V

+12V

+12V

+12V

+12V

+12V

+12V

+12V

+12V

+12V

+12V

+12V

+12V

+12V

+12V

+12V

+12V

+12V

+12V

+12V

+12V

+12V

+12V

+12V

+12V

+12V

+12V

+12V

+12V

+12V

+12V

+12V

+12V

+12V

+12V

+12V

+12V

+12V

+12V

+12V

+12V

+12V

+12V

+12V

+12V

+12V

+12V

+12V

+12V

+12V

+12V

+12V

+12V

+12V

+12V

+12V

+12V

+12V

+12V

+12V

+12V

+12V

+12V

+12V

+12V

+12V

+12V

+12V

+12V

+12V

+12V

+12V

+12V

+12V

+12V

+12V

+12V

+12V

+12V

+12V

+12V

+12V

+12V

+12V

+12V

+12V

+12V

+12V

+12V

+12V

+12V

+12V

+12V

+12V

+12V

+12V

+12V

+12V

+12V

+12V

+12V

+12V

+12V

+12V

+12V

+12V

+12V

+12V

+12V

+12V

+12V

+12V

+12V

+12V

+12V

+12V

+12V

+12V

+12V

+12V

+12V

+12V

+12V

+12V

+12V

+12V

+12V

+12V

+12V

+12V

+12V

+12V

+12V

+12V

+12V

+12V

+12V

+12V

+12V

+12V

+12V

+12V

+12V

+12V

+12V

+12V

+12V

+12V

+12V

+12V

+12V

+12V

+12V

+12V

+12V

+12V

+12V

+12V

+12V

+12V

+12V

+12V

+12V

+12V

+12V

+12V

+12V

+12V

+12V

+12V

+12V

+12V

+12V

+12V

+12V

+12V

+12V

+12V

+12V

+12V

+12V

+12V

+12V

+12V

+12V

+12V

+12V

+12V

+12V

+12V

+12V

+12V

+12V

+12V

+12V

+12V

+12V

+12V

+12V

+12V

+12V

+12V

+12V

+12V

+12V

+12V

+12V

+12V

+12V

+12V

+12V

+12V

+12V

+12V

+12V

+12V

+12V

+12V

+12V

+12V

+12V

+12V

+12V

+12V

+12V

+12V

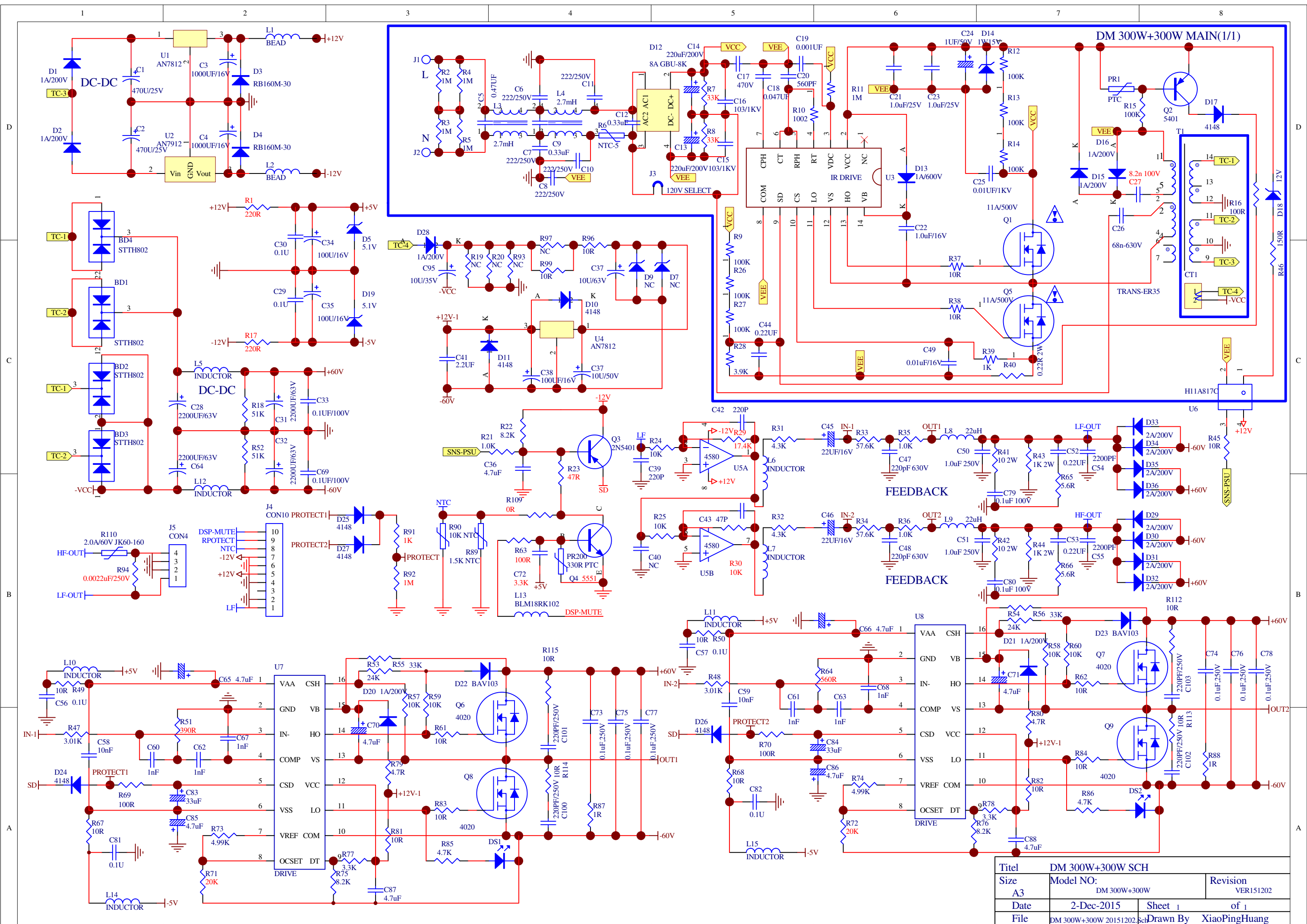
+12V

+12V

+12V

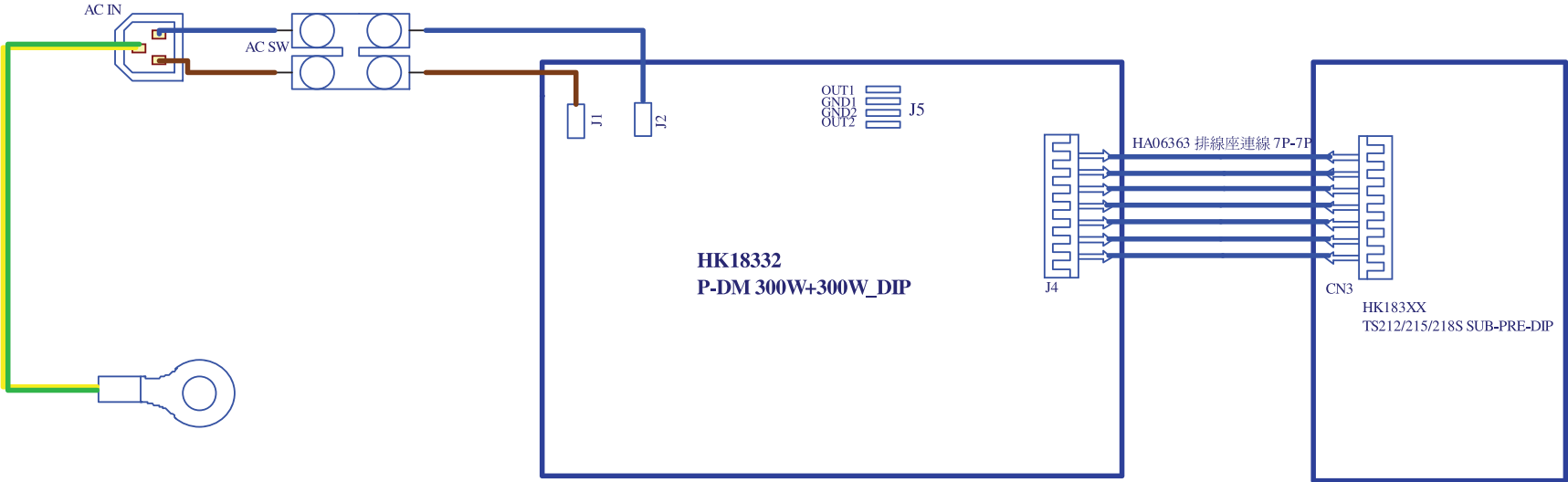
+12V

+12V

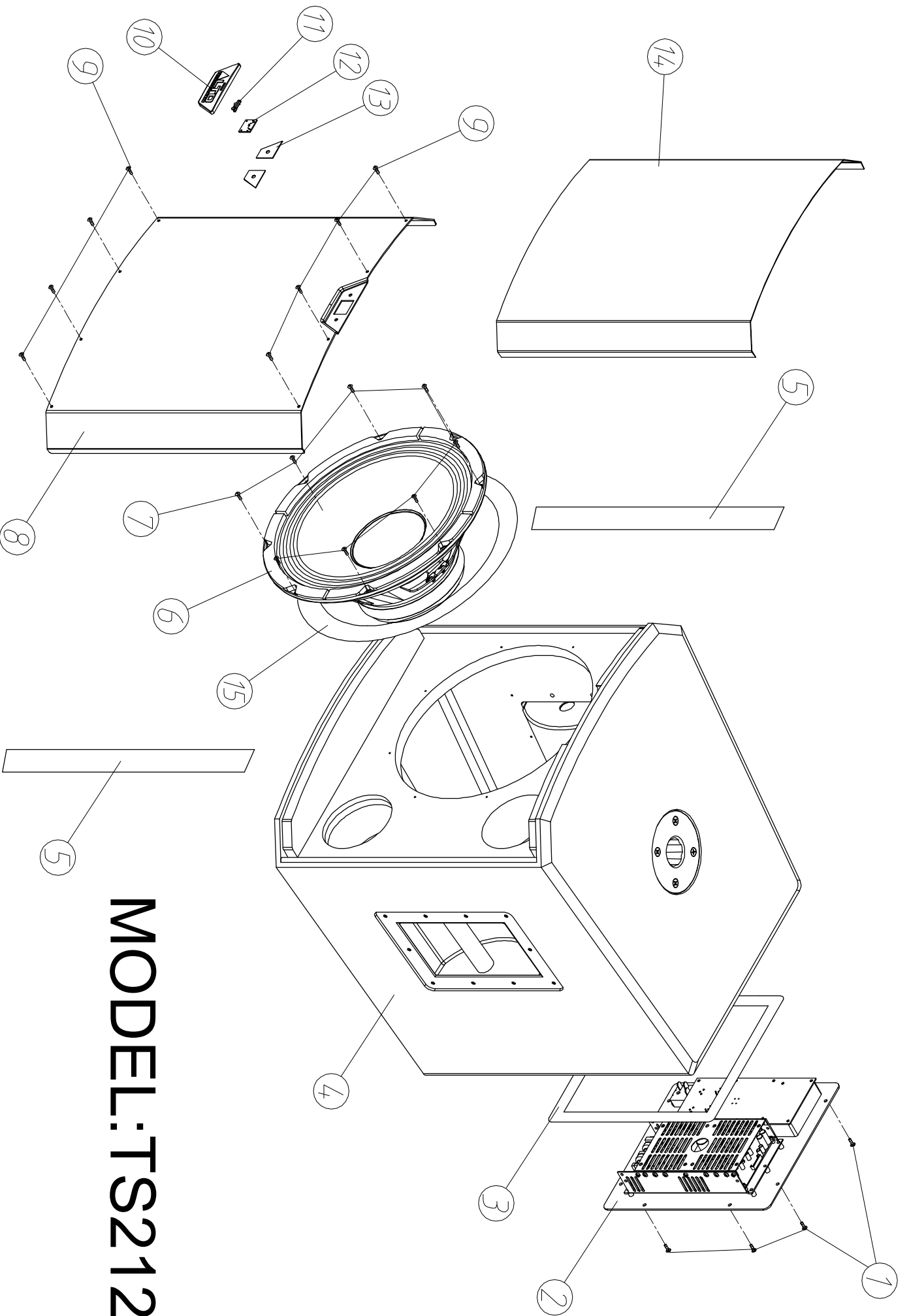


Titel	DM 300W+300W SCH	
Size	Model NO:	Revision
A3	DM 300W+300W	VER151202
Date	2-Dec-2015	Sheet 1 of 1
File	DM 300W+300W 20151202.sch	Drawn By XiaoPingHuang

TS212S/TS215S/TS218S Wiring Diagram



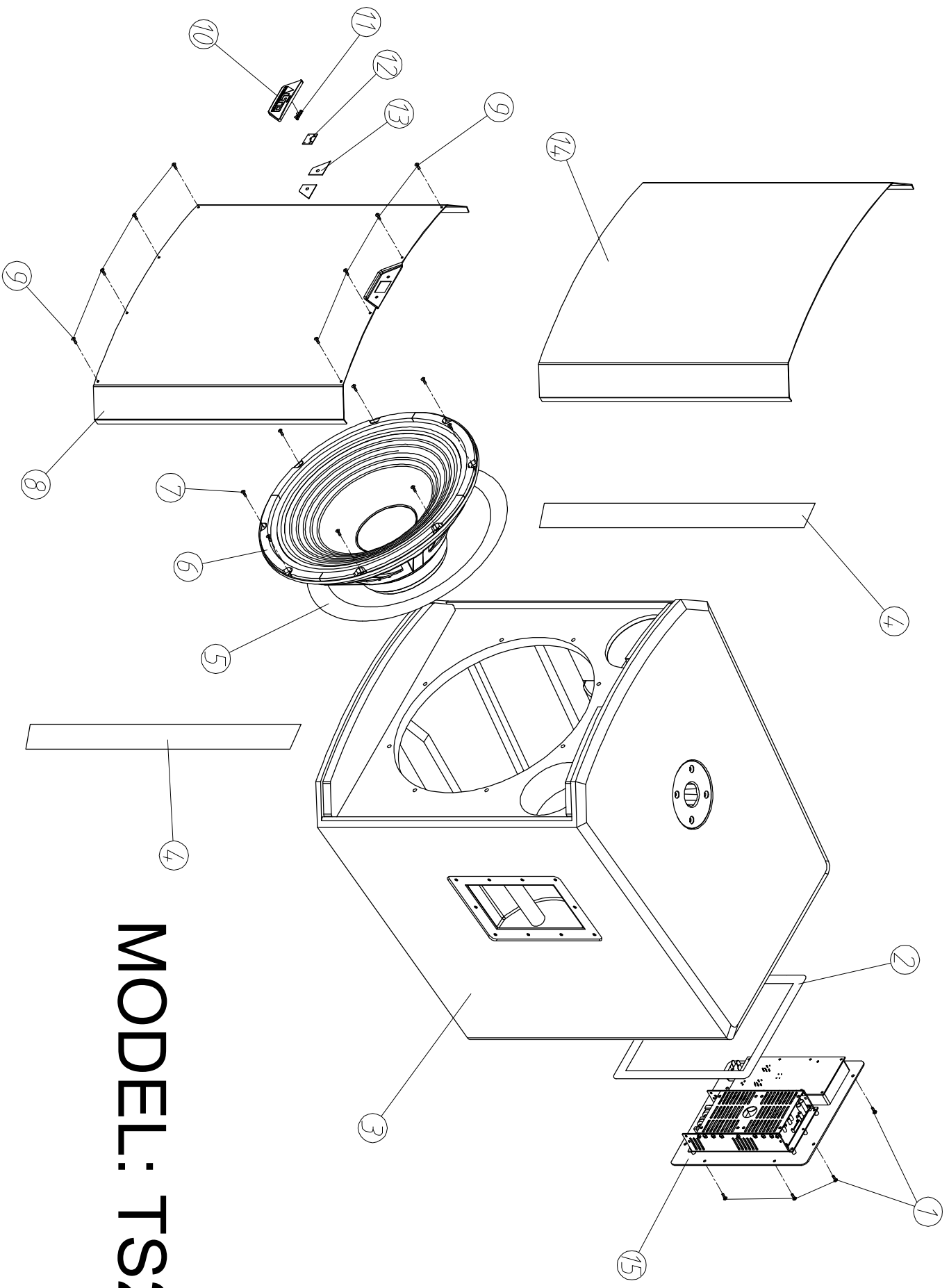
Titel: 212S/TS215S/TS218S			
Size:A3	Model No:TS212S/TS215S/TS218S	Revision: VER160607	
Date:	2016/06/07	Sheet	1 of 1
File:	212S/TS215S/TS218S	Drawn By:	fanweizeng



MODEL: TS212S

TS212S PART LISTS

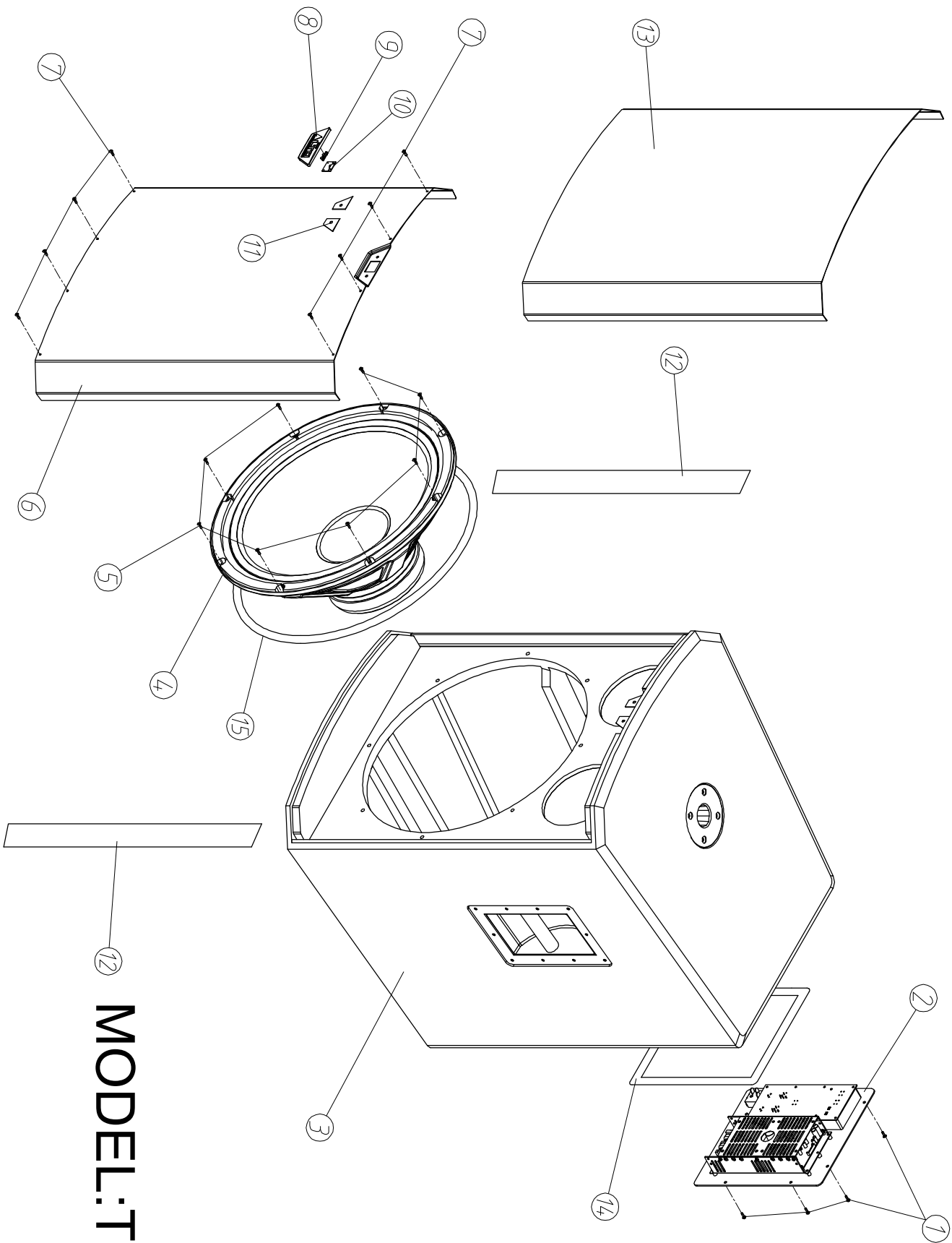
S/N	Part No	Description	Specification	Qty	Material	Remark
1	MG00351	Screw-RS-steel plate	M4*16	8		
2	HK18377	K-faceplate	TS212S_ ALTO_220-240V_EU_CH_(NUMARK)	1		
3	ND00665	EV Foam-RS-one side with glue	950*15*2.0mm black_V1.0	1		
4	NC05053	Cabinet	TS212S_V1.0	1		
5	ND00633	EV Foam-RS-one side with glue	1.0t*1500*15mm black_V1.0	2		
6	HK18344	K-woofer	12" 600W 8Ω(TS212S)	1		
7	MG00350	Screw-RS	M5*30(T head φ 10)	8		
8		grille		1		
9	MG01030	Screw-RS-flat-plate	M3*20	8		
10	NI07836	plastic logo	30.35*11.03*90.22	1		
11	NI07597	light pipe-semi-transparent PC	TS212 16.69*10.32*8.15_V1.1	1		
12	HK17710	K-PC Board	P-TS212 Logo LED-DIP	1		
13		3M VHB		2		
14	NI07833	Strainer-(40ppi)	TS212S 5t*407*476.2_V1.0	1		
15	ND00374	EV Foam-RS-one side with glue	2.0t*948*18mm black_V1.0	1		
16						
17						
18						
19						
20						
21						
22						



MODEL: TS215S

TS215S PARTS LIST

S/N	Part No	Description	Specification	Qty	Material	Remark
1	MG00351	Screw-RS-steel plate	M4*16	8		
2	ND00665	EV Foam-RS-one side with glue	950*15*2.0mm black_V1.0	1		
3	NC05054	Cabinet	TS215S_V1.0	1		
4	ND00633	EV Foam-RS-one side with glue	1.0t*1500*15mm black_V1.0	2		
5	ND00398	EV Foam-RS-one side with glue	SR500A-SUB 1205.5*15*2 black_V1.0	1		
6	HK18345	K-woofer	15吋 600W 8Ω(TS215S)	1		
7	MG00350	Screw-RS	M5*30(T head φ 10,加硬)	8		
8		grille		1		
9	MG01030	Screw-RS-flat-plate	M3*20(8		
10	NI07836	plastic logo	30.35*11.03*90.22	1		
11	NI07597	light pipe-semi-transparent PC	TS212 16.69*10.32*8.15_V1.1	1		
12	HK17710	K-PC Board	P-TS212 Logo LED-DIP	1		
13		3M VHB		2		
14	NI07834	Strainer-(40ppi)	TS215S 5t*544.7*487_V1.0	1		
15	HK18378	K-faceplate	TS215S_ ALTO_220-240V_EU_CH_(NUMARK)	1		
16						
17						
18						
19						
20						
21						
22						



MODEL:TS218S

TS218S PARTS LIST

S/N	Part No	Description	Specification	Qty	Material	Remark
1	MG00351	Screw-RS-steel plate	M4*16	8		
2	HK18379	K-faceplate	TS218S_ ALTO_220-240V_EU_CH_(NUMARK)	1		
3	NC05055	Cabinet	TS218S_V1.0	1		
4	HK18346	K-woofer	18吋 600W 8Ω (TS218S)	1		
5	MG00350	Screw-RS	M5*30(T head φ 10)	8		
6		grille		1		
7	MG01030	Screw-RS-flat-plate	M3*20	8		
8	NI07836	plastic logo	30.35*11.03*90.22	1		
9	NI07597	light pipe-semi-transparent PC	TS212 16.69*10.32*8.15_V1.1	1		
10	HK17710	K-PC Board	P-TS212 Logo LED-DIP	1		
11		3M VHB		2		
12	ND00633	EV Foam-RS-one side with glue	1.0t*1500*15mm black_V1.0	2		
13	NI07835	Strainer(40ppi)	TS218S 5t*625*551.4_V1.0	1		
14	ND00665	EV Foam-RS-one side with glue	950*15*2.0mm black_V1.0	1		
15	ND00701	EV Foam-RS-one side with glue	1370*15*2.0mm	1		
16						
17						
18						
19						
20						
21						
22						
23						

Rank	Part No	Description	Specification	Insert Location	Remark
PC03012	PC03012	SPEAKER	TS212S_ALTO_110V-120V_CHINA_(NUMARK)		
+0001	NC05053	box	TS212S_V1.1		
-0001	NI02426	foot cushion	φ 37*15.5mm PGHA1022ZA/J1_P_A		
-0002	MI02042	handle-RS	220*163.5*63mm_V1.0		
-0003	ME00082	nut-RS	M5*0.8PH*10.6_V1.2		Lock the woofer
-0004	ME00083	nut	M6*1.0PH*11.6_V1.2		Lock the pole mount
-0005	ME00085	nut	M4*0.7PH*9.3_V1.2		Lock the handles on two sides
-0006	MG00034	screw	M4*16		Lock the handle*12
-0007	MG00338	screw-RS	M4*30mm		Lock the handle*8
+0008	MG00670	SCREW-RS	M6*40		Lock the pole mount*4
-0009	ND00242	EV foam	43*47.5*1.5mm		stick to the handles on two sides
-0010	ND00634	EV foam--RS	2.0t*300*15mm black_V1.0		stick to the pole mount
-0011	ND00635	EV foam--RS	2.0t*700*15mm black_V1.0		stick to the handles
-0012	MG00751	screw-RS	M4*20MM		lock the feet*4
-0013	MH01704	handle-RS	ELVIS φ 110*96_V1.3		
-0014	NH00782	Tube	TS212S φ 100* φ 08*233_V1.0		used for the cabinet*2
-0015	NC05057	top cover	TS 212S 505.1*450*15mm_V1.0		
-0001	NC03656	Plywood-RS-CARB	2440*1220*15t		
-0016	NC05058	chassis	TS 212S 505.1*450*15mm_V1.0		
-0001	NC03656	Plywood-RS-CARB	2440*1220*15t		
-0017	NC05059	side cover board	TS 212S 449.3*419*15mm left_V1.0		
-0001	NC03656	Plywood-RS-CARB	2440*1220*15t		
-0018	NC05060	side cover board	TS 212S 449.3*419*15mm right_V1.0		
-0001	NC03656	Plywood-RS-CARB	2440*1220*15t		
-0019	NC05061	front board	TS 212S 429*419*18mm_V1.0		
-0001	NC03657	Plywood-RS-CARB	2440*1220*18t		
+0020	NC05062	rear board	TS 212S 419*337.5*18mm_V1.0		
-0001	NC03657	Plywood-RS-CARB	2440*1220*18t		
-0021	NC05063	rear board	TS 212S 277.5*310.5*18mm_V1.0		
-0001	NC03657	Plywood-RS-CARB	2440*1220*18t		
-0022	NC05064	barrier	TS 212S 398*110*15mm_V1.0		
-0001	NC03656	Plywood-RS-CARB	2440*1220*15t		
+0023	NC05065	billet	TS 212S 408.5*63.5*15mm_V1.0		
-0001	NC03656	Plywood-RS-CARB	2440*1220*15t		
+0024	AE00684	Paint	LTS-6072 25KG/Pail		
-0025	AE00686	Paint	LTS-6071B 10KG/Pail		
-0026	AE00687	Paint	DTS-1202-1 20KG/Pail		
-0027	AE00688	Paint	DTS-1021A-1 20KG/Pail		
-0028	AE00689	Paint	DTS-1021B 10KG/Pail		
+0029	AE00692	Paint	PU-010-4 170KG/Pail		
-0030	AE00693	Paint	MTS-2209 20KG/Pail		
-0031	AE00694	Paint	LTS-6070B-1 10KG/Pail		
-0032	ND01550	Absorb sound sponge-RS	TS212S 800*350*30t 500g/mlUL_V1.0		
+0002	HK18344	speaker	12inch 600W 8Ω (TS212S)		
-0001	NH00243	cushion-RS	φ 315*284.4*8 EVA+ 8_V1.1		
-0002	NH00715	caushion-RS	φ 152*138*20_V1.0		
-0003	ND00525	dust-proof shade-RS	φ 116*24_V1.0		
-0004	MH01986	magnet-RS	φ 180*95*20 Y30_V1.0		
-0005	MH01110	rivet	M0500A_OU-30		
-0006	MG00263	screw	M5*8		Lock the washer and bracket*6
-0007	HC00426	terminal-RS	M0021B_PT2.1_V1.0		
-0001	HC00496	connect terminal	0.8*13*16.3mm		
-0002	HC00495	connect terminal	0.8*13*16.3mm		
-0003	NI02583	terminal block	3.5*24.5*3t		
+0008	HA04554	line-RS	TA217Y18H2KA33/42WB*2*180mm		
-0001	HA04553	line-RS	TA217Y18H2KA33/42WB*1M		
-0009	ND01346	spider-RS	φ 150*76*4 N-1500 0.3/100g TCY:D-1500H		
-0010	MH02767	T type middle pillar	φ 165*74.25*31.5*8 φ 30		
-0011	MH02465	iron coil-RS	φ 175*78.5*10 P:120 TL:W175-49_V1.0		
-0012	NE27053	label	HK18344_V1.0		
-0001	NI00015	membrane	0.04*1M		
-0002	NH00012	bond paper	0.04*1M		
-0013	ND01380	wind-proof sponge-RS	φ 34*30H 20°_V1.0		
-0014	MI06470	bracke	φ 318*81*91.7 P:120 YD300-07M1-H2		
-0015	NH00785	cone	φ 302* φ 76.5*59.5 YL:NCHL12150-3B/B		
-0016	HG00595	voice coil	TIL/4L φ 74.88*56*5.2Ω *0.27 22.2 EI		
+0003	NI07833	net	TS212S 5t*407*476.2_V1.0		stick to the back of grille*1
+0004	HA06358	wire	550mm UL1015 18AWG+Capacitance		speaker wire*1
-0001	CF00245	metal-film capacitor-RS	0.0022uF/400V 5% ESK400D22JA		
-0002	HA06357	wire	550mm UL1015 18AWG		
+0005	ND00665	EV foam-RS	950*15*2.0mm black_V1.0		stick to the AMP
+0006	ND00633	EV foam--RS	1.0t*1500*15mm black_V1.0		
+0007	ND00374	EV foam	2.0t*948*18mm black_V1.0		Stick to the woofer
+0008	MG01030	Screw-RS	M3*20		Lock the grille*8
+0009	MG00350	screw-RS	M5*30		fix the woofer*8
+0010	MG00351	screw-RS	M4*16		fix the amp to the cabinet*8
+0011	HA00841	power cord(America 3P)	LT-202+18A*3C(SVT) 6FT+LT-501		
+0012	HK17710	PC board	P-TS212 Logo LED-DIP		to fix the logo
-0001	HK17709	PC board	P-TS210 LED--SMD		
-0001	HB04153	PCB-RS	TS212 LOGO LED (4*8)_VER150908		
-0002	SE00270	SMD L.E.D	blue MS-PTB414SUBC	LED1	
-0003	AE00553	SenJu solder paste	M705-GRN360-K2-V 0.5KG/bottle		
+0002	HC00253	connector(male)	2P 2.0mm 180°	CN1	
-0003	AC00603	lead free soldering bar	S100		
+0013	NI07597	LED lens	TS212 16.69*10.32*8.15_V1.1		

-0014	HA04308	header wiring	2P-2P 700mm UL1007 26AWG red/white		connect the LED of logo
-0015	NA00885	PE bag-RS	0.03*1200*1050mm 12 PGPP1036ZA/J1_P_C		pack the speaker
-0016	NA00858	PE bag-RS	0.04*240*160mm_V1.0		pack the user manual and guarantee
-0017	NA01717	sponge barrier	TS212S_V1.0		
-0018	NE27061	label	TS212S_V1.0		Inside and outside*1 , carton *1, user manual*1
-0019	NE27069	label	TS212S_V1.0		speaker*1
-0001	NH00015	membrane	0.04*1M		
-0002	NH00012	bond paper	0.04*1M		
-0020	NF03534	assurance card-RS	ALTO PROFESSIONAL_V2.0		
-0021	HK18374	Faceplate	TS212S_ ALTO_110-120V_CHINA_(NUMARK)		fixed to the back of the cabinet
-0001	HA01271	single terminal wiring	60 (PC250,PC187)		SW TO AC Jack
-0002	HA01287	wire-RS	60mm UL1015 18AWG blue		SW TO AC Jack
-0003	HA03186	wire	100mm UL1015 14AWG		GND
-0004	HA04141	wire	100mm UL1015 18AWG blue		AC SW to AC Jack
-0005	HA04143	wire	100mm UL1015 18AWG brown		AC SW to AC Jack
-0006	HC00331	AC socket	RF-2004		
-0007	HD00018	glass tube fuse	6.3A 250V ϕ 5.2*20mm CCEE/CSA/S/UL/VDE		
-0008	HI00475	power switch-RS	2*2P RF-1003-BBA8E2X1T		
-0009	ME00016	color nut	4m/m		GND
-0010	MF00014	washer	ϕ 3* ϕ 6.5*0.5t		AMP*6
-0011	MF00038	washer-RS	ϕ 4* ϕ 7*1t		GND
-0012	MF00048	washer-RS	ϕ 4* ϕ 8*0.5t		GND
-0013	MG00061	screw-RS	M3*10(加硬處理)		MIC*8, sealed box*16
-0014	MG00162	screw	M3*8		AMP*6
-0015	MG00163	screw	M3*8		fix the soldering tag*1, PRE GND*1
-0016	NI01862	key	5.5*5.5*14.5_V1.1		
-0017	NI06123	key	9.2*9.2*7.3(3.3*3.3)_V1.0		
-0018	HK18336	PC board	P-TS212 SUB-PRE-DIP		
-0001	SA00051	L.E.D	ϕ 3 orange,green 28/30/32mm	DL5	
-0002	SA00052	L.E.D	ϕ 3 round(green)long foot 26	DL1,DL2	
-0003	SA00053	L.E.D	ϕ 3 round(red)long foot 26mm	DL4	
-0004	SA00054	L.E.D	3m/m round(yellow)long foot 26	DL3	
-0005	HC00253	connector(male)	2P 2.0mm 180'	CN4	
-0006	HC00258	connector(male)	7P 2.0mm 180'	CN3	
-0007	HC00392	balance MIC jack-RS	JY-5030-030G 180'	JK1,JK2	
-0008	HC01212	balance MIC jack-RS	K6X01V-6-3A	J1,J2	
-0009	HI00162	push-button switch	2 paragraphs 6P PS-22E8552L	SW2,SW3	
-0010	HI00163	push-button switch	2 stage 12P PS-42E85	SW1	
-0011	NI02532	LED spacer support	LEDS-22 22mm		
-0012	RC01034	Potentiometer-RS	30A103-Q1-FA265B120-10K L26.5FCx12	VR1	
-0013	AC00603	lead free soldering bar	S100		
-0014	HK18338	PC board	P-TS212 SUB-PRE-AI		
-0001	CB00192	electrolytic capacitor	10uF/16V ϕ 4*7mm	C1,C2,C3,C6,C7,C35,C36, C37,C38,C42,C70	
-0002	CB00193	electrolytic capacitor	47uF/16V ϕ 6*7mm	C51,C52,C53	
-0003	CB00251	electrolytic capacitor	220UF/25V ϕ 8*11mm	C103,C104	
-0004	CB00262	electrolytic capacitor	47uF/16V NP ϕ 6.3*11mm	C100	
-0005	HK18337	PC board	P-TS212 SUB-PRE-SMD		
-0001	CI00051	SMD ceramic capacitor 0603	22PF/50V COG \pm 5%(C1608C0G1H220JT)/TDK	C8,C9,C10,C11,C12,C13,C 22,C23,C24,C25,C26,C27, C28,C29,C30,C31,C32,C33 C34,C43,C44	
-0002	CI00055	SMD ceramic capacitor 0603	47PF/50V COG \pm 5%(C1608C0G1H470JT)/TDK	C54,C62	
-0003	CI00175	SMD ceramic capacitor 0603	1.0uF/16V X7R \pm 10%(C1608X7R1C105KT)/TDK	C101	
-0004	CI00179	SMD ceramic capacitor 0603	0.22uF/25V X7R \pm 10%(C1608X7R1E224KT)/TDK	C40,C41,C61,C80	
-0005	CI00185	SMD ceramic capacitor 0603	0.1uF/50V X7R \pm 10%(C1608X7R1H104KT)/TDK	C69,C71,C72,C73,C74,C75 C76,C77,C78,C81,C82,C8 3,C84,C85,C86,C87,C88,C 89,C90,C91,C92,C93,C94, C95,C96,C111,C112,C113, C114,C115,C116,C117,C11 8,C119,C120,C121,C122,C 123,C124,C125,C126,C127 C128,C66,C98,C99	
-0006	CI00204	SMD ceramic capacitor 0603	0.027uF/50V \pm 10%(C1608X7R1H273KT)/TDK	C63,C64	
-0007	CI00206	SMD ceramic capacitor 0603	0.047uF/50V \pm 10%(C1608X7R1H473KT)/TDK	C60	
-0008	CI00209	SMD ceramic capacitor 0603	0.082uF/50V \pm 10%(C1608X7R1H823KT)/TDK	C59	
-0009	CI00211	SMD ceramic capacitor 0603	0.15uF/25V X7R \pm 10%(C1608X7R1E154KT)/TDK	C55	
-0010	CI00220	SMD ceramic capacitor 0603	220PF/50V COG \pm 5%(C1608C0G1H221JT)/TDK	C65	
-0011	CI00224	SMD ceramic capacitor 0603	470PF/50V COG \pm 5%(C1608C0G1H471JT)/TDK	C102	
-0012	CI00330	SMD ceramic capacitor-RS 0805	10uF/16V \pm 10%(GRM21BB31C106K)(MURATA)	C4,C5	
-0013	CI00349	SMD ceramic capacitor 0805	4.7uF/25V X5R \pm 10%	C47,C48,C97	
-0014	CI00404	SMD ceramic capacitor-RS-ACT 0603	0.47uF/16V (GRM188B31C474KA87D)(Murata)	C67,C68,C79	
-0015	CI00413	SMD ceramic capacitor-RS	0.33uF/50V X7R \pm 10%	C49,C50	
-0016	CO00168	SMD inductance-RS-ACT	1000 Ω \pm 5%(BLM18RK102SN1D)	L1,L2,L3,L4,R135,R136	
-0017	RD00059	SMD fixed resistor 1/10W	0.0 Ω \pm 5% 0603	C56,C57,R111,R112,TS212	
-0018	RD00075	SMD fixed resistor 1/10W	300 Ω \pm 5% 0603	R44,R45,R46,R47	
-0019	RD00135	SMD fixed resistor 1/4W	330 Ω \pm 5% 1206	R134	
-0020	RD00201	SMD precise resistor 1/10W	1.50K Ω \pm 1% 0603	R32	
-0021	RD00203	SMD precise resistor 1/10W	2.00K Ω \pm 1% 0603	R81,R82,R83,R84	
-0022	RD00209	SMD precise resistor 1/10W	4.99K Ω \pm 1% 0603	R38,R39,R90,R96,R98	
-0023	RD00204	SMD precise resistor 1/10W	2.49K Ω \pm 1% 0603	R97	
-0024	RD00210	SMD precise resistor 1/10W	5.11K Ω \pm 1% 0603	R114,R115	

1	1	1	1	RD00214	SMD precise resistor 1/10W	10.0K Ω \pm 1% 0603	R1,R2,R3,R4,R5,R8,R9,R3 6,R37,R40,R41,R42,R43,R 102,R103,R104,R105,R106 ,R10,R11,R75,R76,R16,R1 7,R19,R130,R57,R59,R60, R61,R62,R63,R64,R65,R66 ,R67,R86,R87,R88,R89	
1	1	1	1	RD00215	SMD precise resistor 1/10W	13.0K Ω \pm 1% 0603	R121,R137,R138	
1	1	1	1	RD00216	SMD precise resistor 1/10W	13.3K Ω \pm 1% 0603	R94	
1	1	1	1	RD00219	SMD precise resistor 1/10W	20.0K Ω \pm 1% 0603	R107,R108,R6,R7	
1	1	1	1	RD00272	SMD precise resistor 1/10W	10.0 Ω \pm 1% 0603	R85	
1	1	1	1	RD00282	SMD precise resistor 1/10W	1.00K Ω \pm 1% 0603	R118,R133	
1	1	1	1	RD00286	SMD precise resistor 1/10W	4.53K Ω \pm 1% 0603	R72	
1	1	1	1	RD00289	SMD precise resistor 1/10W	8.06K Ω \pm 1% 0603	R12,R13	
1	1	1	1	RD00290	SMD precise resistor 1/10W	47.5K Ω \pm 1% 0603	R48,R49,R50,R51	
1	1	1	1	RD00293	SMD precise resistor 1/10W	17.4K Ω \pm 1% 0603	R109	
1	1	1	1	RD00328	SMD precise resistor 1/10W	8.66K Ω \pm 1% 0603	R110	
1	1	1	1	RD00330	SMD precise resistor 1/10W	39.0K Ω \pm 1% 0603	R129	
1	1	1	1	RD00334	SMD precise resistor 1/10W	11.0K Ω \pm 1% 0603	R120	
1	1	1	1	RD00339	SMD precise resistor 1/10W	47.0K Ω \pm 1% 0603	R22,R23,R24,R25,R26,R28 ,R30,R31,R33,R34,R35	
1	1	1	1	RD00344	SMD precise resistor 1/10W	11.5K Ω \pm 1% 0603	R117	
1	1	1	1	RD00363	SMD precise resistor 1/10W	3.16K Ω \pm 1% 0603	R52	
1	1	1	1	RD00367	SMD precise resistor 1/10W	15.4K Ω \pm 1% 0603	R122	
1	1	1	1	RD00368	SMD precise resistor 1/10W	16.5K Ω \pm 1% 0603	R71	
1	1	1	1	RD00371	SMD precise resistor 1/10W	51.1K Ω \pm 1% 0603	R53	
1	1	1	1	RD00386	SMD precise resistor 1/10W	4.75K Ω \pm 1% 0603	R55	
1	1	1	1	RD00415	SMD precise resistor 1/10W	4.70K Ω \pm 1% 0603	R125,R126,R131	
1	1	1	1	RD00457	SMD precise resistor 1/10W	150K Ω \pm 1% 0603	R101	
1	1	1	1	RD00544	SMD precise resistance 1/10W	22 Ω \pm 1% 0603	R127	
1	1	1	1	RD00545	SMD precise resistance 1/10W	49.9 Ω \pm 1% 0603	R99,R100	
1	1	1	1	RD00550	SMD precise resistor 1/10W	27.0K Ω \pm 1% 0603	R132	
1	1	1	1	RD00695	SMD precise resistor-RS	3.24K Ω \pm 1% 0603	R80	
1	1	1	1	RD00709	SMD precise resistor-RS	1.37K Ω \pm 1% 0603	R128	
1	1	1	1	RD00721	SMD fixed resistor-RS 1/10W	22.1K Ω \pm 1% 0603	R124	
1	1	1	1	RD00750	SMD precise resistor-RS 1/10W	11.3K Ω \pm 1% 0603	R54	
1	1	1	1	RD00859	SMD fixed resistor-RS 1/10W	9.09K Ω \pm 1% 0603	R116	
1	1	1	1	RD00891	SMD fixed resistor-RS 1/10W	8.45K Ω \pm 1% 0603	R95	
1	1	1	1	RD00894	SMD fixed resistor-RS 1/10W	46.4K Ω \pm 1% 0603	R20,R27	
1	1	1	1	RD00907	SMD precise resistor 1/10W	26.7K Ω \pm 1% 0603	R79	
1	1	1	1	RD00913	fixed resistor-RS 1/10W	143K Ω \pm 1% 0603	R56	
1	1	1	1	RD00928	SMD precise resistor 1/10W	22.0K Ω \pm 1% 0603	R123	
1	1	1	1	RD00959	SMD precise resistor 1/10W	16.90K Ω \pm 1% 0603	R93	
1	1	1	1	RD00967	SMD resistance 1/8W	6.98K Ω \pm 1% 0805	R14,R15	
1	1	1	1	RD01038	SMD fixed resistor-RS 1/10W	40.2K Ω \pm 1% 0603	R21,R29	
1	1	1	1	RD01115	SMD precise resistor 1/16W	3.0K Ω \pm 1% 0603	R113	
1	1	1	1	SE00155	SMD Schottky barrier diode-RS-ACT	BAT 64-04(SOT-23)(INFINEON)	D1	
1	1	1	1	SE00177	SMD rectifier diode-RS	0.5A LL4148(SOD-80)(VISHAY)	D2,D3,D4	
1	1	1	1	SF00038	transistor	RK7002(ROHM)	TR1	
1	1	1	1	SF00053	transistor	MMBT3906(SOT23)(PHI)	TR2	
1	1	1	1	SG00033	SMD integrated circuit	LM358DT(SO8)(ST)	U18	
1	1	1	1	SG00122	SMD integrated circuit-RS-ACT	NJM4580M-TE3(DMP8)(JRC)	U1,U2,U3,U4,U5,U6,U7,U 8,U10,U11,U12,U15,U16, U9,U13,U19	
1	1	1	1	SG00194	SMD integrated circuit	NJM13600M-TE1(DMP16)(JRC)	U14	
1	1	1	1	SG00306	SMD integrated circuit	LM393DR(TI)(MEXICO)	U17,U20	
1	1	1	1	AE00553	SenJu solder paste	M705-GRN360-K2-V 0.5KG/bottle		
1	1	1	1	SE00243	SMD zener diode-RS	1/2W 12V MMSZ5242A(SOD123)/PANJIT	ZD1,ZD2,ZD3,ZD4,ZD5,Z D6,ZD7,ZD8	
1	1	1	1	HB04398	PCB	TS2 SUB PRE(1*2) _VER160525		
1	1	1	1	RD00420	SMD precise resistor 1/10W	19.1K Ω \pm 1% 0602	R77	
1	1	1	1	RD00224	SMD precise resistor 1/10W	100K Ω \pm 1% 0603	R78	
1	1	1	1	CF00292	metal-film capacitor-RS	0.27uF/100V 5% CASE01	C58	
1	1	1	1	CF00183	metal-film capacitor MSC	0.1uF/100V 5% CASE01	C14,C15,C16,C17,C18,C19 ,C20,C21,C129,C130	
1	1	1	1	CF00155	metal-film capacitor MSC	0.22uF/63V 5% CASE02	C39	
1	1	1	1	CB00038	electrolytic capacitor	47uF/16V ϕ 5*7mm	R58	
1	1	1	1	HK18332	PC board	P-DM 300W+300W_DIP		
1	1	1	1	RA00031	metal-oxide-film resistor 2W	10 Ω P type	R41,R42	
1	1	1	1	RA00051	metal-oxide-film resistor 2W	5.6 Ω	R65,R66	
1	1	1	1	NI00268	sleeve	ϕ 6*20mm PGNS1008ZA/J1_P_C	R40	
1	1	1	1	NI00266	sleeve	ϕ 6*1000mm		
1	1	1	1	MG00162	screw	M3*8		AMP*9
1	1	1	1	MG00566	screw	M3*10*0.5PH_V1.0		IC*2+shrapnel*9
1	1	1	1	HC00088	connector(male)	2P 3.9mm 180'(#3921)	J3	
1	1	1	1	HC00174	connector(male)	4P 3.96mm 180'	J5	
1	1	1	1	HC00258	connector(male)	7P 2.0mm 180'	J4	insert near L16
1	1	1	1	HA01933	jump	2.5mm	BRI	
1	1	1	1	HC00324	connect terminal	6.5m/m (PC250)	J1,J2	
1	1	1	1	CB00151	electrolytic capacitor	220uF/63V ϕ 10*16mm	C98,C99	
1	1	1	1	CN00069	inductance-EMI SUPPRESSOR-RS-ACT	TB36-13-850485	L1,L2,L5,L12	
1	1	1	1	CG00023	X1/Y1 capacitor	0.0022uF/250VAC Y5U	C6,C7,C8,C10,C11	
1	1	1	1	MK00103	spring piece	0.5t*22.67*6.5*42.5_V1.0		Lock MOS TUBE
1	1	1	1	CB00295	electrolytic capacitor	820uF/180V ϕ 25*35	C13,C14	
1	1	1	1	NI04253	sleeve-RS	ϕ 28*50M T-2		MK00103
1	1	1	1	SD00317	integrated circuit	NJM7912FA(TO220F)(JRC)	U2	
1	1	1	1	ME00226	screw-RS	M3*0.5PH		IC*2+shrapnel*9
1	1	1	1	SA00316	bridge rectifier-RS	8A GBU-8K(PANJIT)	D12	

1	1	-0020	NC01179	insulator spacer-RS	0.13t*40mm*55mm(HI-FLOW-625)		stick to Q1, Q5
1	1	-0021	CB00335	electrolytic capacitor-RS	1000uF/16V φ 8*20mm	C89,C90	
1	1	-0022	RA01063	metal-oxide-film resistor 3W	0.1 Ω \pm 2% P type	R40	
1	1	-0023	RH00033	thermistor-RS-CT	5 Ω B57235S-0509M000(EPCOS)	R6	
1	1	-0024	SD00380	integrated circuit-RS	NJM7812FA(TO220F)(JRC)	U1	
1	1	-0025	AC00603	lead free soldering bar	S100		
1	1	-0026	SB00284	transistor-RS	IRFB4020PBF(TO220AB)(IR)	Q6,Q7,Q8,Q9	
1	1	-0027	NC04098	insulator spacer-RS	0.13t*27.5*40mm(HI-FLOW-625)		pasted on Q6, Q7,Q8, Q9
1	1	-0028	ND01210	cushion-RS	8t*45*10mm(E-4382)		pasted on C13/C14
1	1	-0029	CB00436	electrolytic capacitor-RS	1000uF/63V LSR φ 16*25mm	C28,C31,C32,C64	
1	1	-0030	CF00277	metal-film capacitor-RS	0.22uF/100V C242A224K2SC000(Fara)	C52,C53	
1	1	-0031	CB00438	electrolytic capacitor-RS	470uF/25V LSR φ 8*20mm	C1,C2	
1	1	-0032	CF00284	metal-film capacitor-RS	0.1uF/630V C822J104J60C000(Fara)	C26	
1	1	-0033	RH00037	thermistor-RS-ACT	330 Ω PTFL04BG222Q2N34B0(MURATA)	PR200	
1	1	-0034	CF00279	metal-film capacitor-RS	1.0uF/250V C322E105J60C000(Fara)	C50,C51	
1	1	-0035	SB00369	Transistor-RS	FDP18N50(TO220)/FAIRCHILD	Q1,Q5	
1	1	-0036	CN00359	inductance	5.0mH φ 0.7*30T	L3,L4	
1	1	-0037	CG00126	X2 capacitor-RS	0.33uF/275V \pm 10%(C42P2334K6SC000)(FARA)	C9,C12	
1	1	-0038	TC00585	Transistor	PT-DM 350W+175W(ER35)_230V	T1	
1	1	-0039	NI07555	insulator	TT12 0.5t*95*93_V1.0		
1	1	-0001	NI04630	film-RS-CT	450*605*0.5mm 0.184kg_V1.0		
1	1	-0040	CG00130	X2 capacitor	0.47uF/305V 20%(C42Q2474M6HC000)(FARA)	C5	
1	1	-0041	HA01919	jump	5mm	PR1,R110	
1	1	-0001	HA02249	wire	φ 0.6 鍍錫		
1	1	-0042	MI06323	heat-shassis	TS212 2t*40*100*206_V1.2		
1	1	-0001	ME00221	iron pillar	M3*8*0.5PH_V1.1		
1	1	-0002	MJ00055	AL plate-RS	2*2000*1000 10.88kg		
1	1	-0043	CN00372	Inductance	22uH T94-2	L8,L9	
1	1	-0044	HK18335	PC board	P-DM 300W+300W_A1		
1	1	-0001	CB00112	electrolytic capacitor	10uF/35V 105 $^{\circ}$ C φ 4*7mm 2.5mm	C95	
1	1	-0002	CF00183	metal-film capacitor MSC	0.1uF/100V 5% CASE01	C79,C80	
1	1	-0003	CB00188	electrolytic capacitor	10uF/63V φ 5*11mm 2.5mm	C37	
1	1	-0004	CB00034	electrolytic capacitor	33uF/16V φ 5*11mm 2.5mm	C83,C84	
1	1	-0005	CC00074	mylar capacitor-RS-ACT	0.01uF/100V 3%	C27	
1	1	-0006	CA00131	ceramic capacitor-RS	0.01uF/1000V Z5U	C15,C16,C25	
1	1	-0007	CB00409	electrolytic capacitor-RS	22uF/16V 105 $^{\circ}$ C φ 5*11mm	C45,C46	
1	1	-0008	CB00469	electrolytic capacitor-RS	100uF/16V LSR 105 $^{\circ}$ C φ 5*11mm	C34,C35,C38,C3,C4	
1	1	-0009	HK18333	PC board	P-DM 300W+300W_SMD		
1	1	-0001	SF00083	transistor	MMBT5551LT1G(SOT23)(ON)	Q4	
1	1	-0002	RD00298	SMD precise resistor 1/10W	47.0 Ω \pm 1% 0603	R23	
1	1	-0003	SE00012	SMD rectifier diode-RS	BAV103(PHI)	D15,D16,D22,D23	
1	1	-0004	SG00122	SMD integrated circuit-RS-ACT	NJM4580M-TE3(DMP8)(JRC)	U5	
1	1	-0005	SE00054	SMD L.E.D	yellow 19-21UYC/S530-A2/TR8	DS1,DS2	
1	1	-0006	RD00327	SMD precise resistor 1/10W	8.20K Ω \pm 1% 0603	R75,R76	
1	1	-0007	RD00355	SMD fixed resistor 1/10W	4.7 Ω \pm 5% 0603	R79,R80	
1	1	-0008	RD00214	SMD precise resistor 1/10W	10.0K Ω \pm 1% 0603	R10,R24,R25,R59,R60,R10 0,R30	
1	1	-0009	RD00059	SMD fixed resistor 1/10W	0.0 Ω \pm 5% 0603	R109	
1	1	-0010	RD00209	SMD precise resistor 1/10W	4.99K Ω \pm 1% 0603	R73,R74	
1	1	-0011	RD00224	SMD precise resistor 1/10W	100K Ω \pm 1% 0603	R9,R12,R13,R14,R26,R27	
1	1	-0012	RD00460	SMD precise resistor 1/10W	560 Ω \pm 1% 0603	R64	
1	1	-0013	RD00466	SMD precise resistor 1/4W	2.0K Ω \pm 1% 1206	R35,R36,R102,R103	
1	1	-0014	RD00255	SMD precise resistor 1/4W	100K Ω \pm 1% 1206	R7,R8	
1	1	-0015	RD00506	SMD precise resistor 1/10W	3.30K Ω \pm 1% 0603	R77,R78,C72	
1	1	-0016	RD00512	SMD precise resistor 1/10W	180K Ω \pm 1% 0603	R92	
1	1	-0017	RD00219	SMD precise resistor 1/10W	20.0K Ω \pm 1% 0603	R71,R72	
1	1	-0018	RD00399	SMD precise resistor 1/4W	10.0K Ω \pm 1% 1206	R57,R58	
1	1	-0019	RD00282	SMD precise resistor 1/10W	1.00K Ω \pm 1% 0603	R21,R39,R63,R91	
1	1	-0020	RD00272	SMD precise resistor 1/10W	10.0 Ω \pm 1% 0603	R45,R49,R50,R61,R62,R67 .R68,R81,R82,R83,R84	
1	1	-0021	RD00274	SMD precise resistor 1/10W	100 Ω \pm 1% 0603	R69,R70	
1	1	-0022	RD00414	SMD precise resistor 1/10W	3.90K Ω \pm 1% 0603	R28,R22	
1	1	-0023	RD00385	SMD precise resistor 1/10W	3.01K Ω \pm 1% 0603	R47,R48	
1	1	-0024	RD00415	SMD precise resistor 1/10W	4.70K Ω \pm 1% 0603	R85,R86	
1	1	-0025	RD00400	SMD fixed resistor 1/4W	220 Ω \pm 5% 1206	R1,R17	
1	1	-0026	RD00525	SMD precise resistor 1/10W	33.0K Ω \pm 1% 0603	R55,R56	
1	1	-0027	RD00303	SMD precise resistor 1/10W	57.6K Ω \pm 1% 0603	R33,R34	
1	1	-0028	RD00200	SMD precise resistor 1/10W	150 Ω \pm 1% 0603	R46	
1	1	-0029	CI00096	SMD ceramic capacitor 0603	560PF/50V NPO \pm 5%	C20	
1	1	-0030	CI00145	SMD ceramic capacitor 0805	0.0015uF/50V X7R \pm 10%	C60,C61,C62,C63,C67,C68	
1	1	-0031	CI00154	SMD ceramic capacitor 1206	0.1uF/100V X7R \pm 10%	C33,C69	
1	1	-0032	CI00185	SMD ceramic capacitor 0603	0.1uF/50V X7R \pm 10%(C1608X7R1H104KT)/TDK	C29,C30,C56,C57,C81,C82 .C91,C92,C93,C94,C19	
1	1	-0033	CI00179	SMD ceramic capacitor 0603	0.22uF/25V X7R \pm 10%(C1608X7R1E224KT)/TDK	C44	
1	1	-0034	CI00195	SMD ceramic capacitor 1206	4.7uF/25V Y5V (GRM31CB11E475ZA01D)	C65,C66,C70,C71,C85,C86 .C87,C88,C36,C24	
1	1	-0035	CI00206	SMD ceramic capacitor 0603	0.047uF/50V \pm 10%(C1608X7R1H473KT)/TDK	C18,C49	
1	1	-0036	CI00201	SMD ceramic capacitor 0603	0.01uF/50V \pm 10%(C1608X7R1H103KT)/TDK	C58,C59	
1	1	-0037	CI00051	SMD ceramic capacitor 0603	22PF/50V COG \pm 5%(C1608C0G1H220JT)/TDK	C43	
1	1	-0038	CI00220	SMD ceramic capacitor 0603	220PF/50V COG \pm 5%(C1608C0G1H221JT)/TDK	C39,C42	
1	1	-0039	SF00082	transistor-RS-ACT	MMBT5401LT1G(SOT23)(ON)	Q3	
1	1	-0040	RD00541	SMD precise resistance 1/10W	0 Ω \pm 1% 0603		350W+175W
1	1	-0041	RD00596	SMD precise resistor-RS 1/4W	10.0 Ω \pm 1% 1206	R37,R38,R96,R99	
1	1	-0042	CI00269	SMD ceramic capacitor-RS 1206	1.0uF/25V X7R \pm 10%	C23,C41	
1	1	-0043	SE00089	SMD zener diode-RS	1/2W 5.1V(MMSZ5231B)(SOD-123)(PANJIT)	D5,D19	
1	1	-0044	RD00636	SMD precise resistor-RS 1/4W	47.0K Ω \pm 1% 1206	R18,R52	
1	1	-0045	SE00098	SMD zener diode-RS-C	1W 15V DL4744A MELF(S)	D14	

1	1	1	1	+0046	SG00495	SMD integrated circuit-RS	IR2156SPBF(SO14)(IR)	U3	
1	1	1	1	+0047	CI00279	SMD ceramic capacitor-RS 1206	0.0022uF/200Vx7R±10%	R94	
1	1	1	1	+0048	CI00306	SMD ceramic capacitor-RS	1.0uF/25V X7R ±10%	C21,C22	
1	1	1	1	+0049	AE00553	SenJu solder paste	M705-GRN360-K2-V 0.5KG/bottle		
1	1	1	1	+0050	RD00697	SMD precise resistor-RS	390.0Ω±1% 0603	R51	
1	1	1	1	+0051	SE00133	SMD zener diode-RS	225mW 12V BZX84C12LT1G(SOT23)	D18	
1	1	1	1	+0052	SE00134	SMD rectifier diode-RS-ACT	1A 600V MURS160T3G (SMB)/(ON)	D13	
1	1	1	1	+0053	SG00667	SMD integrated circuit-RS	IRS2092S(SOIC16N)(IR)	U7,U8	
1	1	1	1	+0054	CI00328	SMD ceramic capacitor-RS 1206	150PF/630V COG ±5%(C3216C0G2J151J)/TDK	C47,C48	
1	1	1	1	+0055	SE00149	SMD double-direct triy diode-RS	1A/30V RB160M-30(ROHM)	D3,D4	
1	1	1	1	+0056	RD00818	SMD fixed resistor 2W	2.2K Ω ±5% 2512	R43,R44	
1	1	1	1	+0057	RD00800	SMD precise resistor 1/8W	10.0Ω ±1% 0805	R112,R113,R114,R115	
1	1	1	1	+0058	SG00729	SMD integrated circuit-RS-ACT	MC78M12CDTRKG(DPAK-3)/(ON)	U4	
1	1	1	1	+0059	SE00156	SMD diode-RS-ACT	1A/200V ES1D(SMA)(FAIRCHILD)	D1,D2,D20,D21,D28	
1	1	1	1	+0060	CI00356	SMD ceramic capacitor 1206	0.1uF/250V X7R ±10%(GRM31CR72E104KW03L)	C73,C74,C75,C76,C77,C78 R104,R105,R106,R107	
1	1	1	1	+0061	SE00161	SMD diode-RS	2A/200V ER2D 35nS(DO214AA)/(PANJIT)	D29,D30,D31,D32,D33,D34 D35,D36	
1	1	1	1	+0062	CO00168	SMD inductance-RS-ACT	1000Ω ±25%(BLM18R102SN1D)	L6,L7,L10,L11,L14,L15,L16 L17,L13	
1	1	1	1	+0063	CI00366	SMD ceramic capacitor 0805	220PF/250V COG ±5%	C100,C101,C102,C103	
1	1	1	1	+0064	CI00387	SMD ceramic capacitor-RS	0.0022uF/250V X7R ±10%	C54,C55	
1	1	1	1	+0065	SE00177	SMD rectifier diode-RS	0.5A LL4148(SOD-80)(VISHAY)	D10,D11,D24,D25,D26,D27	
1	1	1	1	+0066	SE00189	SMD diode-RS-ACT	8A/200V STTH802B-TR (DPAK)(ST)	BD1,BD2,BD3,BD4	
1	1	1	1	+0067	RD00945	SMD resistance 1/4W	1.0Ω ±1% 1206	R87,R88	
1	1	1	1	+0068	RD00957	SMD precise resistor 1/10W	4.3K Ω ±1% 0603	R31,R32	
1	1	1	1	+0069	RD00293	SMD precise resistor 1/10W	17.4K Ω ±1% 0603	R29	
1	1	1	1	+0070	RD01001	SMD precise resistance 1/10W	24K Ω ±1% 0603	R53,R54	
1	1	1	1	+0071	HB04061	PCB	DM 400W+200W_VER150720		
1	1	1	1	+0072	SB00379	Photodiode	LTV-817S-TA1-C(LITEON)/	U6	
1	1	1	1	+0073	RD00123	SMD fixed resistor 1/10W	470K Ω ±5% 0603	R2,R3,R4,R5	
1	1	1	1	+0045	MCO1371	top cover	TS212 1.5*19.5*95.6*163_V1.0		
1	1	1	1	+0001	MJ00069	iron board	1.5*2135*1220 30.67kg		
1	1	1	1	+0046	MG00269	screw-RS	M3*6		fix the top cover
1	1	1	1	+0020	NI00218	cable tie	ALT-102SB		
1	1	1	1	+0021	HA05997	header wiring	2P UL1007 18AWG		
1	1	1	1	+0022	ND01444	EV foam	0.5*650*3mm_V1.0		stick to the sealed box
1	1	1	1	+0023	NI02527	knob-RS	φ 14*13mm_V1.3		
1	1	1	1	+0024	MA11188	panel	TS212S ALTO CHINA_V1.1		
1	1	1	1	+0001	MA11187	panel	TS 212 SUB 2*235*268		
1	1	1	1	+0001	AE00055	solvent	solvent		
1	1	1	1	+0002	AE00201	.	5041		
1	1	1	1	+0003	MA11186	panel	TS 212 SUB 2*235*268_V1.1		
1	1	1	1	+0001	ME00001	screw pillar-RS	M4*10*0.7PH_V1.0		
1	1	1	1	+0002	ME00319	iron pillar-RS-CT	6.35*M3*26.5_V1.0		
1	1	1	1	+0003	ME00038	iron pillar	6.35*M3*8.4_V1.3		
1	1	1	1	+0004	MJ01580	single light board-RS	2.0*1850*1250mm 36kg		
1	1	1	1	+0025	NI07837	fixed bracket	TS 212 SUB 81*187.5*24.5_V1.0		
1	1	1	1	+0026	HA06363	header wiring	7P-7P 200mm UL1007 26AWG		
1	1	1	1	+0027	NC04781	Insulator	φ 7.5_ES503_DB		stick to AC Jack
1	1	1	1	+0022	NF04684	user manual	TS2 SUB ALTO_V1.0		
1	1	1	1	+0001	NH00231	paper	889*554mm		
1	1	1	1	+0023	NE27156	lable	TS212SXUS_V1.0		pasted on the two sides of carton*2
1	1	1	1	+0001	NI00018	membrane	0.06*1M		
1	1	1	1	+0002	NH00035	bond paper	0.06*1M		
1	1	1	1	+0024	ND01485	sponge	11*15*13.7 black_V1.0		pasted on the LED support*1
1	1	1	1	+0025	NI00218	cable tie	ALT-102SB		fix the speaker cable*1,LED wire*1
1	1	1	1	+0026	NB08874	carton	TS212S ALTO_V1.0		
1	1	1	1	+0027	NE27159	lable	TS212S_V1.0		stick to the right corner of grille
1	1	1	1	+0028	NI07857	3M VHB	11*31.3*26.4 (3M 4952)_V1.0		stick to the back*2
1	1	1	1	+0029	NI07836	mark	TS 212 SUB 30.35*11.03*90.22_V1.0		
1	1	1	1	+0030	MD02087	iron net	TS212SUB 1.2*64.8*426.9*41_V1.0		
1	1	1	1	+0031	HA06368	wire	4P 280mm UL1007 18AWG		
1	1	1	1	+0001	HA06369	wire	4P 280mm UL1007 18AWG		
1	1	1	1	+0002	CN00283	high frequency magnetism encircle-RS	φ 16*16 (742700752)/WURTH ELEKTRONIK		
1	1	1	1	+0032	NE26801	lable	NUMARK SERIES_V1.0		pasted to the PE bags
1	1	1	1	+0001	NI02598	membrane	125mm		
1	1	1	1	+0002	NI00068	Scotch tape	0.16*1M		
1	1	1	1	+0033	NE21518	lable	APX2000/3000_V1.1		pasted to the powercon

Rank	Part No	Description	Specification	Insert Location	Remark
PC03013	PC03013	SPEAKER	TS212S_ALTO_230V_CHINA_NUMARK		
-0001	NC05053	box	TS212S_V1.1		
-0001	NI02426	foot cushion	φ 37*15.5mm PGHA1022ZAJ1_P_A		
-0002	MI02042	handle-RS	220*163.5*63mm_V1.0		
-0003	ME00082	nut-RS	M5*0.8PH*10.6_V1.2		Lock the woofer
-0004	ME00083	nut	M6*1.0PH*11.6_V1.2		Lock the pole mount
-0005	ME00085	nut	M4*0.7PH*9.3_V1.2		Lock the handles on two sides
-0006	MG00034	screw	M4*16		Lock the handle*12
-0007	MG00338	screw-RS	M4*30mm		Lock the handle*8
-0008	MG00670	SCREW-RS	M6*40		Lock the pole mount*4
-0009	ND00242	EV foam	43*47.5*1.5mm		stick to the handles on two sides
-0010	ND00634	EV foam-RS	2.0*300*15mm black_V1.0		stick to the pole mount
-0011	ND00635	EV foam-RS	2.0*700*15mm black_V1.0		stick to the handles
-0012	MG00751	screw-RS	M4*20MM		lock the feet*4
-0013	MH01704	handle-RS	ELVIS φ 110*96_V1.3		
-0014	NH00782	Tube	TS212S φ 100* φ 08*233_V1.0		used for the cabinet*2
-0015	NC05057	top cover	TS 212S 505.1*450*15mm_V1.0		
-0001	NC03656	Plywood-RS-CARB	2440*1220*15t		
-0016	NC05058	chassis	TS 212S 505.1*450*15mm_V1.0		
-0001	NC03656	Plywood-RS-CARB	2440*1220*15t		
-0017	NC05059	side cover board	TS 212S 449.3*419*15mm left_V1.0		
-0001	NC03656	Plywood-RS-CARB	2440*1220*15t		
-0018	NC05060	side cover board	TS 212S 449.3*419*15mm right_V1.0		
-0001	NC03656	Plywood-RS-CARB	2440*1220*15t		
-0019	NC05061	front board	TS 212S 429*419*18mm_V1.0		
-0001	NC03657	Plywood-RS-CARB	2440*1220*18t		
-0020	NC05062	rear board	TS 212S 419*337.5*18mm_V1.0		
-0001	NC03657	Plywood-RS-CARB	2440*1220*18t		
-0021	NC05063	rear board	TS 212S 277.5*310.5*18mm_V1.0		
-0001	NC03657	Plywood-RS-CARB	2440*1220*18t		
-0022	NC05064	barrier	TS 212S 398*110*15mm_V1.0		
-0001	NC03656	Plywood-RS-CARB	2440*1220*15t		
-0023	NC05065	billet	TS 212S 408.5*63.5*15mm_V1.0		
-0001	NC03656	Plywood-RS-CARB	2440*1220*15t		
-0024	AE00684	Paint	LTS-6072 25KG/Pail		
-0025	AE00686	Paint	LTS-6071B 10KG/Pail		
-0026	AE00687	Paint	DTS-1202-1 20KG/Pail		
-0027	AE00688	Paint	DTS-1021A-1 20KG/Pail		
-0028	AE00689	Paint	DTS-1021B 10KG/Pail		
-0029	AE00692	Paint	PU-010-4 170KG/Pail		
-0030	AE00693	Paint	MTS-2209 20KG/Pail		
-0031	AE00694	Paint	LTS-6070B-1 10KG/Pail		
-0032	ND01550	Absorb sound sponge-RS	TS212S 800*350*30t;500g/mi UL_V1.0		
+0002	HK18344	speaker	12inch 600W 8Ω(TS212S)		
-0001	NH00243	cushion-RS	φ 315*284.4*8 EVA+ 8_V1.1		
-0002	NH00715	caushion-RS	φ 152*138*20_V1.0		
-0003	ND00525	dust-proof shade-RS	φ 116*24_V1.0		
-0004	MH01986	magnet-RS	φ 180*95*20 Y30_V1.0		
-0005	MH01110	rivet	M0500A_OU-30		
-0006	MG00263	screw	M5*8		Lock the washer and bracket*6
-0007	HC00426	terminal-RS	M0021B_PT2.1_V1.0		
-0001	HC00496	connect terminal	0.8*13*16.3mm		
-0002	HC00495	connect terminal	0.8*13*16.3mm		
-0003	NI02583	terminal block	3.5*24.5*3t		
-0008	HA04554	line-RS	TA2J7Y18H2KA33/42WB*2*180mm		
-0001	HA04553	line-RS	TA2J7Y18H2KA33/42WB*1M		
-0009	ND01346	spider-RS	φ 150*76*4 N-1500 0.3/100g TCY:D-1500H		
-0010	MH02767	T type middle pillar	φ 165*74.25*31.5*8 φ 30		
-0011	MH02465	iron coil-RS	φ 175*78.5*10 P:120 TL:W175-49_V1.0		
-0012	NE27053	label	HK18344_V1.0		
-0001	NI00015	membrane	0.04*1M		
-0002	NH00012	bond paper	0.04*1M		
-0013	ND01380	wind-proof sponge-RS	φ 34*30H 20'_V1.0		
-0014	MI06470	bracke	φ 318*81*91.7 P:120 YD300-07M1-H2		
-0015	NH00785	cone	φ 302* φ 76.5*59.5 YL:NCHL12150-3B/B		
-0016	HG00595	voice coil	TTL/4L φ 74.88*56*5.2Ω*0.27 22.2 EI		
+0003	NI07833	net	TS212S 5t*407*476.2_V1.0		stick to the back of grille*1
+0004	HA06358	wire	550mm UL1015 18AWG+Capacitance		speaker wire*1
-0001	CF00245	metal-film capacitor-RS	0.0022uF/400V 5% ESK400D22JA		
-0002	HA06357	wire	550mm UL1015 18AWG		
+0005	ND00665	EV foam-RS	950*15*2.0mm black_V1.0		stick to the AMP
+0006	ND00633	EV foam-RS	1.0*1500*15mm black_V1.0		pasted on the two sides of grille
+0007	ND00374	EV foam	2.0*948*18mm black_V1.0		pasted on the woofer
+0008	MG01030	Screw-RS	M3*20		lock the grille*8
+0009	MG00350	screw-RS	M5*30		lock the woofer*8
+0010	MG00351	screw-RS	M4*16		fix the amp and cabinet*8
+0011	HA00861	power cord Europe 3P	LT-312+LT-501		
+0012	HK17710	PC board	P-TS212 Logo LED-DIP		to fix the logo
-0001	HK17709	PC board	P-TS210 LED-SMD		
-0001	HB04153	PCB-RS	TS212 LOGO LED (4*8)_VER150908		
-0002	SE00270	SMD L.E.D	blue MS-PTB414SUBC	LED1	
-0003	AE00553	SenJu solder paste	M705-GRN360-K2-V 0.5KG/bottle		
-0002	HC00253	connector(male)	2P 2.0mm 180'	CN1	
-0003	AC00603	lead free soldering bar	S100		
+0013	NI07597	LED lens	TS212 16.69*10.32*8.15_V1.1		
+0014	HA04308	header wiring	2P-2P 700mm UL1007 26AWG red/white		connect the LED of logo
+0015	NA00885	PE bag-RS	0.03*1200*1050mm 12 PGPP1036ZAJ1_P_C		pack the speaker
+0016	NA00858	PE bag-RS	0.04*240*160mm_V1.0		pack the user manual and guarantee
+0017	NA01717	sponge barrier	TS212S_V1.0		
+0018	NE27061	label	TS212S_V1.0		Inside and outside*1, carton *1, user manual*1
+0019	NE27069	label	TS212S_V1.0		speaker*1

I -0001	NH00015	membrane	0.04*1M		
I -0002	NH00012	bond paper	0.04*1M		
I -0020	NF03534	assurance card-RS	ALTO PROFESSIONAL_V2.0		
I -0021	HK18377	Faceplate	TS212S_ALTO_220-240V_CHINA_NUMARK		fixed to the back of the cabinet
I -0001	HA01271	single terminal wiring	60 (PC250,PC187)		SW TO AC Jack
I -0002	HA01287	wire-RS	60mm UL1015 18AWG blue		SW TO AC Jack
I -0003	HA03186	wire	100mm UL1015 14AWG		GND
I -0004	HA04141	wire	100mm UL1015 18AWG blue		AC SW to AC Jack
I -0005	HA04143	wire	100mm UL1015 18AWG brown		AC SW to AC Jack
I -0006	HC00331	AC socket	RF-2004		
I -0007	HD00013	glass tube fuse	3.15A 250V ϕ 5*20mm CSA/SUL/VDE		
I -0008	HI00475	power switch-RS	2*2P RF-1003-BBA8E2X1T		
I -0009	ME00016	color nut	4m/m		GND
I -0010	MF00014	washer	ϕ 3* ϕ 6.5*0.5t		AMP*6
I -0011	MF00038	washer-RS	ϕ 4* ϕ 7*1t		GND
I -0012	MF00048	washer-RS	ϕ 4* ϕ 8*0.5t		GND
I -0013	MG00061	screw-RS	M3*10(加硬處理)		MIC*8, sealed box*16
I -0014	MG00162	screw	M3*8		AMP*6
I -0015	MG00163	screw	M3*8		fix the soldering tag*1, PRE GND*1
I -0016	NI01862	key	5.5*5.5*14.5_V1.1		
I -0017	NI06123	key	9.2*9.2*7.3(3.3*3.3)_V1.0		
I -0018	HK18336	PC board	P-TS212 SUB-PRE-DIP		
I -0001	SA00051	L.E.D	ϕ 3 orange,green 28/30/32mm	DL5	
I -0002	SA00052	L.E.D	ϕ 3 round(green)long foot 26	DL1,DL2	
I -0003	SA00053	L.E.D	ϕ 3 round(red)long foot 26mm	DL4	
I -0004	SA00054	L.E.D	5m/m round(yellow)long foot 26	DL3	
I -0005	HC00253	connector(male)	2P 2.0mm 180'	CN4	
I -0006	HC00258	connector(male)	7P 2.0mm 180'	CN3	
I -0007	HC00392	balance MIC jack-RS	JY-5030-030G 180'	JK1,JK2	
I -0008	HC01212	balance MIC jack-RS	K6X01V-6-3A	J1,J2	
I -0009	HI00162	push-button switch	2 paragraphs 6p PS-22E8552L	SW2,SW3	
I -0010	HI00163	push-button switch	2 stage 12P PS-42E85	SW1	
I -0011	NI02532	LED spacer support	LEDS-22 22mm		
I -0012	RC01034	Potentiometer-RS	30A103-Q1-FA265B120-10K L26.5FCx12	VR1	
I -0013	AC00603	lead free soldering bar	S100		
I -0014	HK18338	PC board	P-TS212 SUB-PRE-AI		
I -0001	CB00192	electrolytic capacitor	10uF/16V ϕ 4*7mm	C1,C2,C3,C6,C7,C35,C36,C37,C38,C42,C70	
I -0002	CB00193	electrolytic capacitor	47uF/16V ϕ 6*7mm	C51,C52,C53	
I -0003	CB00251	electrolytic capacitor	220UF/25V ϕ 8*11mm	C103,C104	
I -0004	CB00262	electrolytic capacitor	47uF/16V NP ϕ 6.3*11mm	C100	
I -0005	HK18337	PC board	P-TS212 SUB-PRE-SMD		
I -0001	CI00051	SMD ceramic capacitor 0603	22PF/50V COG \pm 5%(C1608COG1H220T)/TDK	C8,C9,C10,C11,C12,C13,C22,C23,C24,C25,C26,C27,C28,C29,C30,C31,C32,C33,C34,C43,C44	
I -0002	CI00055	SMD ceramic capacitor 0603	47PF/50V COG \pm 5%(C1608COG1H470T)/TDK	C54,C62	
I -0003	CI00175	SMD ceramic capacitor 0603	1.0uF/16V X7R \pm 10%(C1608X7R1C105KT)/TDK	C101	
I -0004	CI00179	SMD ceramic capacitor 0603	0.22uF/25V X7R \pm 10%(C1608X7R1E224KT)/TDK	C40,C41,C61,C80	
I -0005	CI00185	SMD ceramic capacitor 0603	0.1uF/50V X7R \pm 10%(C1608X7R1H104KT)/TDK	C69,C71,C72,C73,C74,C75,C76,C77,C78,C81,C82,C83,C84,C85,C86,C87,C88,C89,C90,C91,C92,C93,C94,C95,C96,C111,C112,C113,C114,C115,C116,C117,C118,C119,C120,C121,C122,C123,C124,C125,C126,C127,C128,C66,C98,C99	
I -0006	CI00204	SMD ceramic capacitor 0603	0.027uF/50V \pm 10%(C1608X7R1H273KT)/TDK	C63,C64	
I -0007	CI00206	SMD ceramic capacitor 0603	0.047uF/50V \pm 10%(C1608X7R1H473KT)/TDK	C60	
I -0008	CI00209	SMD ceramic capacitor 0603	0.082uF/50V \pm 10%(C1608X7R1H823KT)/TDK	C59	
I -0009	CI00211	SMD ceramic capacitor 0603	0.15uF/25V X7R \pm 10%(C1608X7R1E154KT)/TDK	C55	
I -0010	CI00220	SMD ceramic capacitor 0603	220PF/50V COG \pm 5%(C1608COG1H221JT)/TDK	C65	
I -0011	CI00224	SMD ceramic capacitor 0603	470PF/50V COG \pm 5%(C1608COG1H471JT)/TDK	C102	
I -0012	CI00330	SMD ceramic capacitor-RS 0805	10uF/16V \pm 10%(GRM21B31C106K)(MURATA)	C4,C5	
I -0013	CI00349	SMD ceramic capacitor 0805	4.7uF/25V X5R \pm 10%	C47,C48,C97	
I -0014	CI00404	SMD ceramic capacitor-RS-ACT 0603	0.47uF/16V (GRM188B31C474KA87D)(Murata)	C67,C68,C79	
I -0015	CI00413	SMD ceramic capacitor-RS	0.33uF/50V X7R \pm 10%	C49,C50	
I -0016	CO00168	SMD inductance-RS-ACT	1000 Ω \pm 25%(BLM18RK102SN1D)	L1,L2,L3,L4,R135,R136	
I -0017	RD00059	SMD fixed resistor 1/10W	0.0 Ω \pm 5% 0603	R38,R39,R41,R42,R43,R44	
I -0018	RD00075	SMD fixed resistor 1/10W	300 Ω \pm 5% 0603	R44,R45,R46,R47	
I -0019	RD00135	SMD fixed resistor 1/4W	330 Ω \pm 5% 1206	R134	
I -0020	RD00201	SMD precise resistor 1/10W	1.50K Ω \pm 1% 0603	R32	
I -0021	RD00203	SMD precise resistor 1/10W	2.00K Ω \pm 1% 0603	R81,R82,R83,R84	
I -0022	RD00209	SMD precise resistor 1/10W	4.99K Ω \pm 1% 0603	R38,R39,R90,R96,R98	
I -0023	RD00204	SMD precise resistor 1/10W	2.49K Ω \pm 1% 0603	R97	
I -0024	RD00210	SMD precise resistor 1/10W	5.11K Ω \pm 1% 0603	R114,R115	
I -0025	RD00214	SMD precise resistor 1/10W	10.0K Ω \pm 1% 0603	R1,R2,R3,R4,R5,R8,R9,R36,R37,R40,R41,R42,R43,R102,R103,R104,R105,R106,R10,R11,R75,R76,R16,R17,R19,R130,R57,R59,R60,R61,R62,R63,R64,R65,R66,R67,R86,R87,R88,R89	
I -0026	RD00215	SMD precise resistor 1/10W	13.0K Ω \pm 1% 0603	R121,R137,R138	
I -0027	RD00216	SMD precise resistor 1/10W	13.3K Ω \pm 1% 0603	R94	
I -0028	RD00219	SMD precise resistor 1/10W	20.0K Ω \pm 1% 0603	R107,R108,R6,R7	
I -0029	RD00272	SMD precise resistor 1/10W	10.0 Ω \pm 1% 0603	R85	
I -0030	RD00282	SMD precise resistor 1/10W	1.00K Ω \pm 1% 0603	R118,R133	
I -0031	RD00286	SMD precise resistor 1/10W	4.53K Ω \pm 1% 0603	R72	
I -0032	RD00289	SMD precise resistor 1/10W	8.06K Ω \pm 1% 0603	R12,R13	
I -0033	RD00290	SMD precise resistor 1/10W	47.5K Ω \pm 1% 0603	R48,R49,R50,R51	
I -0034	RD00293	SMD precise resistor 1/10W	17.4K Ω \pm 1% 0603	R109	
I -0035	RD00328	SMD precise resistor 1/10W	8.66K Ω \pm 1% 0603	R110	

1	1	1	1	RD00330	SMD precise resistor 1/10W	39.0K Ω \pm 1% 0603	R129	
1	1	1	1	RD00334	SMD precise resistor 1/10W	11.0K Ω \pm 1% 0603	R120	
1	1	1	1	RD00339	SMD precise resistor 1/10W	47.0K Ω \pm 1% 0603	R22,R23,R24,R25,R26,R28 R30,R31,R33,R34,R35	
1	1	1	1	RD00344	SMD precise resistor 1/10W	11.5K Ω \pm 1% 0603	R117	
1	1	1	1	RD00363	SMD precise resistor 1/10W	3.16K Ω \pm 1% 0603	R52	
1	1	1	1	RD00367	SMD precise resistor 1/10W	15.4K Ω \pm 1% 0603	R122	
1	1	1	1	RD00368	SMD precise resistor 1/10W	16.5K Ω \pm 1% 0603	R71	
1	1	1	1	RD00371	SMD precise resistor 1/10W	51.1K Ω \pm 1% 0603	R53	
1	1	1	1	RD00386	SMD precise resistor 1/10W	4.75K Ω \pm 1% 0603	R55	
1	1	1	1	RD00415	SMD precise resistor 1/10W	4.70K Ω \pm 1% 0603	R125,R126,R131	
1	1	1	1	RD00457	SMD precise resistor 1/10W	150K Ω \pm 1% 0603	R101	
1	1	1	1	RD00544	SMD precise resistance 1/10W	22 Ω \pm 1% 0603	R127	
1	1	1	1	RD00545	SMD precise resistance 1/10W	49.9 Ω \pm 1% 0603	R99,R100	
1	1	1	1	RD00550	SMD precise resistor 1/10W	27.0K Ω \pm 1% 0603	R132	
1	1	1	1	RD00695	SMD precise resistor-RS	3.24K Ω \pm 1% 0603	R80	
1	1	1	1	RD00709	SMD precise resistor-RS	1.37K Ω \pm 1% 0603	R128	
1	1	1	1	RD00721	SMD fixed resistor-RS 1/10W	22.1K Ω \pm 1% 0603	R124	
1	1	1	1	RD00750	SMD precise resistor-RS 1/10W	11.3K Ω \pm 1% 0603	R54	
1	1	1	1	RD00859	SMD fixed resistor-RS 1/10W	9.09K Ω \pm 1% 0603	R116	
1	1	1	1	RD00891	SMD fixed resistor-RS 1/10W	8.45K Ω \pm 1% 0603	R95	
1	1	1	1	RD00894	SMD fixed resistor-RS 1/10W	46.4K Ω \pm 1% 0603	R20,R27	
1	1	1	1	RD00907	SMD precise resistor 1/10W	26.7K Ω \pm 1% 0603	R79	
1	1	1	1	RD00913	fixed resistor-RS 1/10W	143K Ω \pm 1% 0603	R56	
1	1	1	1	RD00928	SMD precise resistor 1/10W	22.0K Ω \pm 1% 0603	R123	
1	1	1	1	RD00959	SMD precise resistor 1/10W	16.90K Ω \pm 1% 0603	R93	
1	1	1	1	RD00967	SMD resistance 1/8W	6.98K Ω \pm 1% 0805	R14,R15	
1	1	1	1	RD01038	SMD fixed resistor-RS 1/10W	40.2K Ω \pm 1% 0603	R21,R29	
1	1	1	1	RD01115	SMD precise resistor 1/16W	3.0K Ω \pm 1% 0603	R113	
1	1	1	1	SE00155	SMD Schottky barrier diode-RS-ACT	BAT 64-04(SOT-23)(INFINEON)	D1	
1	1	1	1	SE00177	SMD rectifier diode-RS	0.5A LL4148(SOD-80)(VISHAY)	D2,D3,D4	
1	1	1	1	SF00038	transistor	RK7002(ROHM)	TR1	
1	1	1	1	SF00053	transistor	MMBT3906(SOT23)(PHI)	TR2	
1	1	1	1	SG00033	SMD integrated circuit	LM358DT(SO8)(ST)	U18	
1	1	1	1	SG00122	SMD integrated circuit-RS-ACT	NJM4580M-TE3(DMP8)(JRC)	U1,U2,U3,U4,U5,U6,U7,U 8,U10,U11,U12,U15,U16,U 9,U13,U19	
1	1	1	1	SG00194	SMD integrated circuit	NJM13600M-TE1(DMP16)(JRC)	U14	
1	1	1	1	SG00306	SMD integrated circuit	LM393DR(TI)(MEXICO)	U17,U20	
1	1	1	1	AE00553	SenJu solder paste	M705-GRN360-K2-V 0.5KG/bottle		
1	1	1	1	SE00243	SMD zener diode-RS	1/2W 12V MMSZ5242A(SOD123)/PANJIT	ZD1,ZD2,ZD3,ZD4,ZD5,Z D6,ZD7,ZD8	
1	1	1	1	HB04398	PCB	TS2 SUB PRE(1*2)_VER160525		
1	1	1	1	RD00420	SMD precise resistor 1/10W	19.1K Ω \pm 1% 0602	R77	
1	1	1	1	RD00224	SMD precise resistor 1/10W	100K Ω \pm 1% 0603	R78	
1	1	1	1	CF00292	metal-film capacitor-RS	0.27uF/100V 5% CASE01	C58	
1	1	1	1	CF00183	metal-film capacitor MSC	0.1uF/100V 5% CASE01	C14,C15,C16,C17,C18,C19 C20,C21,C129,C130	
1	1	1	1	CF00155	metal-film capacitor MSC	0.22uF/63V 5% CASE02	C39	
1	1	1	1	CB00038	electrolytic capacitor	47uF/16V ϕ 5*7mm	R58	
1	1	1	1	HK18332	PC board	P-DM 300W+300W_DIP		
1	1	1	1	RA00031	metal-oxide-film resistor 2W	10 Ω P type	R41,R42	
1	1	1	1	RA00051	metal-oxide-film resistor 2W	5.6 Ω	R65,R66	
1	1	1	1	NI00268	sleeve	ϕ 6*20mm PGNS1008ZA/1_P_C	R40	
1	1	1	1	NI00266	sleeve	ϕ 6*1000mm		
1	1	1	1	MG00162	screw	M3*8		AMP*9
1	1	1	1	MG00566	screw	M3*10*0.5PH_V1.0		IC*2+shrapnel*9
1	1	1	1	HC00088	connector(male)	2P 3.9mm 180°(#3921)	J3	
1	1	1	1	HC00174	connector(male)	4P 3.96mm 180°	J5	
1	1	1	1	HC00258	connector(male)	7P 2.0mm 180°	J4	inser near L16
1	1	1	1	HA01933	jump	2.5mm	BRI	
1	1	1	1	HC00324	connect terminal	6.5mm (PC250)	J1,J2	
1	1	1	1	CB00151	electrolytic capacitor	220uF/63V ϕ 10*16mm	C98,C99	
1	1	1	1	CN00069	inductance-EMI SUPPRESSOR-RS-ACT	TB36-13-850485	L1,L2,L5,L12	
1	1	1	1	CG00023	X1/Y1 capacitor	0.0022uF/250VAC Y5U	C6,C7,C8,C10,C11	
1	1	1	1	MK00103	spring piece	0.5*22.67*6.5*42.5_V1.0		Lock MOS TUBE
1	1	1	1	CB00295	electrolytic capacitor	820uF/180V ϕ 25*35	C13,C14	
1	1	1	1	NI04253	sleeve-RS	ϕ 28*50M T-2		MK00103
1	1	1	1	SD00317	integrated circuit	NJM7912FA(TO220F)(JRC)	U2	
1	1	1	1	ME00226	screw-RS	M3*0.5PH		IC*2+shrapnel*9
1	1	1	1	SA00316	bridge rectifier-RS	8A GBU-8K/(PANJIT)	D12	
1	1	1	1	NC01179	insulator spacer-RS	0.13*40mm*55mm(HI-FLOW-625)		stick on Q1, Q5
1	1	1	1	CB00335	electrolytic capacitor-RS	1000uF/16V ϕ 8*20mm	C89,C90	
1	1	1	1	RA01063	metal-oxide-film resistor 3W	0.1 Ω \pm 2% P type	R40	
1	1	1	1	RH00033	thermistor-RS-CT	5 Ω B57235S-0509M0000(EPCOS)	R6	
1	1	1	1	SD00380	integrated circuit-RS	NJM7812FA(TO220F)(JRC)	U1	
1	1	1	1	AC00603	lead free soldering bar	S100		
1	1	1	1	SB00284	transistor-RS	IRFB4020PBF(TO220AB)(IR)	Q6,Q7,Q8,Q9	
1	1	1	1	NC04098	insulator spacer-RS	0.13*27.5*40mm(HI-FLOW-625)		stick on Q6, Q7/Q8, Q9
1	1	1	1	ND01210	cushion-RS	8*45*10mm(E-4382)		stick on C13/C14
1	1	1	1	CB00436	electrolytic capacitor-RS	1000uF/63V LSR ϕ 16*25mm	C28,C31,C32,C64	
1	1	1	1	CF00277	metal-film capacitor-RS	0.22uF/100V C242A224K2SC000(Fara)	C52,C53	
1	1	1	1	CB00438	electrolytic capacitor-RS	470uF/25V LSR ϕ 8*20mm	C1,C2	
1	1	1	1	CF00284	metal-film capacitor-RS	0.1uF/630V C822J104J60C000(Fara)	C26	
1	1	1	1	RH00037	thermistor-RS-ACT	330 Ω PTFLO4BG222Q2N34B0(MURATA)	PR200	
1	1	1	1	CF00279	metal-film capacitor-RS	1.0uF/250V C322E105J60C000(Fara)	C50,C51	
1	1	1	1	SB00369	Transistor-RS	FDP18N50(TO220)/FAIRCHILD	Q1,Q5	
1	1	1	1	CN00359	inductance	5.0mH ϕ 0.7*30T	L3,L4	
1	1	1	1	CG00126	X2 capacitor-RS	0.33uF/275V \pm 10%(C42P2334K6SC000(FARA)	C9,C12	
1	1	1	1	TC00585	Transistor	PT-DM 350W+175W(ER35)_230V	T1	
1	1	1	1	NI07555	insulator	TT12 0.5*95*93_V1.0		
1	1	1	1	NI04630	film-RS-CT	450*605*0.5mm 0.184kg_V1.0		

1 1 1 1	+0040	CG00130	X2 capacitor	0.47uF/305V 20%(C42Q2474M6HC000)(FARA)	C5	
1 1 1 1	+0041	HA01919	jump	5mm	PR1,R110	
1 1 1 1	+0001	HA02249	wire	φ 0.6 鍍錫		
1 1 1 1	+0042	MI06323	heat-shassis	TS212 2t*40*100*206_V1.2		
1 1 1 1	+0001	ME00221	iron pillar	M3*8*0.5PH_V1.1		
1 1 1 1	+0002	MI00055	AL_plate-RS	2*2000*1000 10.88kg		
1 1 1 1	+0043	CN00372	Inductance	22uH T94-2	L8,L9	
1 1 1 1	+0044	HK18335	PC board	P-DM 300W+300W_A1		
1 1 1 1	+0001	CB00112	electrolytic capacitor	10uF/35V 105°C φ 4*7mm 2.5mm	C95	
1 1 1 1	+0002	CF00183	metal-film capacitor MSC	0.1uF/100V 5% CASE01	C79,C80	
1 1 1 1	+0003	CB00188	electrolytic capacitor	10uF/63V φ 5*11mm 2.5mm	C37	
1 1 1 1	+0004	CB00034	electrolytic capacitor	33uF/16V φ 5*11mm 2.5mm	C83,C84	
1 1 1 1	+0005	CC00074	mylar capacitor-RS-ACT	0.01uF/100V 3%	C27	
1 1 1 1	+0006	CA00131	ceramic capacitor-RS	0.01uF/1000V Z5U	C15,C16,C25	
1 1 1 1	+0007	CB00409	electrolytic capacitor-RS	22uF/16V 105°C φ 5*11mm	C45,C46	
1 1 1 1	+0008	CB00469	electrolytic capacitor-RS	100uF/16V LSR 105°C φ 5*11mm	C34,C35,C38,C3,C4	
1 1 1 1	+0009	HK18333	PC board	P-DM 300W+300W_SMD		
1 1 1 1	+0001	SF00083	transistor	MMBT5551L1T1G(SOT23)(ON)	Q4	
1 1 1 1	+0002	RD00298	SMD precise resistor 1/10W	47.0Ω ±1% 0603	R23	
1 1 1 1	+0003	SE00012	SMD rectifier diode-RS	BAV103(PHD)	D15,D16,D22,D23	
1 1 1 1	+0004	SG00122	SMD integrated circuit-RS-ACT	NJM4580M-TE3(DMP8)(JRC)	U5	
1 1 1 1	+0005	SE00054	SMD L.E.D	yellow 19-21UYC/S530-A2/TR8	DS1,DS2	
1 1 1 1	+0006	RD00327	SMD precise resistor 1/10W	8.20K Ω ±1% 0603	R75,R76	
1 1 1 1	+0007	RD00355	SMD fixed resistor 1/10W	4.7Ω ±5% 0603	R79,R80	
1 1 1 1	+0008	RD00214	SMD precise resistor 1/10W	10.0K Ω ±1% 0603	R10,R24,R25,R59,R60,R10 0,R30	
1 1 1 1	+0009	RD00059	SMD fixed resistor 1/10W	0.0 Ω ±5% 0603	R109	
1 1 1 1	+0010	RD00209	SMD precise resistor 1/10W	4.99K Ω ±1% 0603	R73,R74	
1 1 1 1	+0011	RD00224	SMD precise resistor 1/10W	100K Ω ±1% 0603	R9,R12,R13,R14,R26,R27	
1 1 1 1	+0012	RD00460	SMD precise resistor 1/10W	560 Ω ±1% 0603	R64	
1 1 1 1	+0013	RD00466	SMD precise resistor 1/4W	2.0K Ω ±1% 1206	R35,R36,R102,R103	
1 1 1 1	+0014	RD00255	SMD precise resistor 1/4W	100K Ω ±1% 1206	R7,R8	
1 1 1 1	+0015	RD00506	SMD precise resistor 1/10W	3.30K Ω ±1% 0603	R77,R78,C72	
1 1 1 1	+0016	RD00512	SMD precise resistor 1/10W	180K Ω ±1% 0603	R92	
1 1 1 1	+0017	RD00219	SMD precise resistor 1/10W	20.0K Ω ±1% 0603	R71,R72	
1 1 1 1	+0018	RD00399	SMD precise resistor 1/4W	10.0K Ω ±1% 1206	R57,R58	
1 1 1 1	+0019	RD00282	SMD precise resistor 1/10W	1.00K Ω ±1% 0603	R21,R39,R63,R91	
1 1 1 1	+0020	RD00272	SMD precise resistor 1/10W	10.0 Ω ±1% 0603	R45,R49,R50,R61,R62,R67 ,R68,R81,R82,R83,R84	
1 1 1 1	+0021	RD00274	SMD precise resistor 1/10W	100 Ω ±1% 0603	R69,R70	
1 1 1 1	+0022	RD00414	SMD precise resistor 1/10W	3.90K Ω ±1% 0603	R28,R22	
1 1 1 1	+0023	RD00385	SMD precise resistor 1/10W	3.01K Ω ±1% 0603	R47,R48	
1 1 1 1	+0024	RD00415	SMD precise resistor 1/10W	4.70K Ω ±1% 0603	R85,R86	
1 1 1 1	+0025	RD00400	SMD fixed resistor 1/4W	220 Ω ±5% 1206	R1,R17	
1 1 1 1	+0026	RD00525	SMD precise resistor 1/10W	33.0K Ω ±1% 0603	R55,R56	
1 1 1 1	+0027	RD00303	SMD precise resistor 1/10W	57.6K Ω ±1% 0603	R33,R34	
1 1 1 1	+0028	RD00200	SMD precise resistor 1/10W	150 Ω ±1% 0603	R46	
1 1 1 1	+0029	CI00096	SMD ceramic capacitor 0603	560PF/50V NPO ±5%	C20	
1 1 1 1	+0030	CI00145	SMD ceramic capacitor 0805	0.0015uF/50V X7R ±10%	C60,C61,C62,C63,C67,C68	
1 1 1 1	+0031	CI00154	SMD ceramic capacitor 1206	0.1uF/100V X7R ±10%	C33,C69	
1 1 1 1	+0032	CI00185	SMD ceramic capacitor 0603	0.1uF/50V X7R±10%(C1608X7R1H104KT)/TDK	C29,C30,C56,C57,C81,C82 C91,C92,C93,C94,C19	
1 1 1 1	+0033	CI00179	SMD ceramic capacitor 0603	0.22uF/25V X7R±10%(C1608X7R1E224KT)/TDK	C44	
1 1 1 1	+0034	CI00195	SMD ceramic capacitor 1206	4.7uF/25V Y5V (GRM31CB11E475A01D)	C65,C66,C70,C71,C85,C86 ,C87,C88,C36,C24	
1 1 1 1	+0035	CI00206	SMD ceramic capacitor 0603	0.047uF/50V ±10%(C1608X7R1H473KT)/TDK	C18,C49	
1 1 1 1	+0036	CI00201	SMD ceramic capacitor 0603	0.01uF/50V ±10%(C1608X7R1H103KT)/TDK	C58,C59	
1 1 1 1	+0037	CI00051	SMD ceramic capacitor 0603	22PF/50V COG±5%(C1608COG1H220T)/TDK	C43	
1 1 1 1	+0038	CI00220	SMD ceramic capacitor 0603	220PF/50V COG ±5%(C1608COG1H221JT)/TDK	C39,C42	
1 1 1 1	+0039	SF00082	transistor-RS-ACT	MMBT5401L1T1G(SOT23)(ON)	Q3	
1 1 1 1	+0040	RD00541	SMD precise resistance 1/10W	0 Ω ±1% 0603		350W+175W
1 1 1 1	+0041	RD00596	SMD precise resistor-RS 1/4W	10.0 Ω ±1% 1206	R37,R38,R96,R99	
1 1 1 1	+0042	CI00269	SMD ceramic capacitor-RS 1206	1.0uF/25V X7R ±10%	C23,C41	
1 1 1 1	+0043	SE00089	SMD zener diode-RS	1/2W 5.1V(MMSZ5231B)(SOD-123)(PANJIT)	D5,D19	
1 1 1 1	+0044	RD00636	SMD precise resistor-RS 1/4W	47.0K Ω ±1% 1206	R18,R52	
1 1 1 1	+0045	SE00098	SMD zener diode-RS-C	1W 15V DL4744A MELF/(SJ)	D14	
1 1 1 1	+0046	SG00495	SMD integrated circuit-RS	IR2156SPBF(SO14)(IR)	U3	
1 1 1 1	+0047	CI00279	SMD ceramic capacitor-RS 1206	0.0022uF/200Vx7R±10%	R94	
1 1 1 1	+0048	CI00306	SMD ceramic capacitor-RS	1.0uF/25V X7R ±10%	C21,C22	
1 1 1 1	+0049	AE00553	SenJu solder paste	M705-GRN360-K2-V 0.5KG/bottle		
1 1 1 1	+0050	RD00697	SMD precise resistor-RS	390.0 Ω ±1% 0603	R51	
1 1 1 1	+0051	SE00133	SMD zener diode-RS	225mW 12V BZX84C12L1T1G(SOT23)	D18	
1 1 1 1	+0052	SE00134	SMD rectifier diode-RS-ACT	1A 600V MURS160T3G (SMB)(ON)	D13	
1 1 1 1	+0053	SG00667	SMD integrated circuit-RS	IRS2092S(SOIC16N)(DIR)	U7,U8	
1 1 1 1	+0054	CI00328	SMD ceramic capacitor-RS 1206	150PF/630V COG ±5%(C3216COG2J151J)/TDK	C47,C48	
1 1 1 1	+0055	SE00149	SMD double-direct triy diode-RS	1A/30V RB160M-30(ROHM)	D3,D4	
1 1 1 1	+0056	RD00818	SMD fixed resistor 2W	2.2K Ω ±5% 2512	R43,R44	
1 1 1 1	+0057	RD00800	SMD precise resistor 1/8W	10.0 Ω ±1% 0805	R112,R113,R114,R115	
1 1 1 1	+0058	SG00729	SMD integrated circuit-RS-ACT	MC78M12CDTRKG(DPAK-3)(ON)	U4	
1 1 1 1	+0059	SE00156	SMD diode-RS-ACT	1A/200V ES1D(SMA)(FAIRCHILD)	D1,D2,D20,D21,D28	
1 1 1 1	+0060	CI00356	SMD ceramic capacitor 1206	0.1uF/250V X7R ±10%(GRM31CR72E104KW03L)	C73,C74,C75,C76,C77,C78 R104,R105,R106,R107	
1 1 1 1	+0061	SE00161	SMD diode-RS	2A/200V ER2D 35nS(DO214AA)(PANJIT)	D29,D30,D31,D32,D33,D3 4,D35,D36	
1 1 1 1	+0062	CO00168	SMD inductance-RS-ACT	1000 Ω ±25%(BLM18RK102SN1D)	L6,L7,L10,L11,L14,L15,L1 6,L17,L13	
1 1 1 1	+0063	CI00366	SMD ceramic capacitor 0805	220PF/250V COG ±5%	C100,C101,C102,C103	
1 1 1 1	+0064	CI00387	SMD ceramic capacitor-RS	0.0022uF/250V X7R ±10%	C54,C55	
1 1 1 1	+0065	SE00177	SMD rectifier diode-RS	0.5A LL4148(SOD-80)(VISHAY)	D10,D11,D24,D25,D26,D2 7	
1 1 1 1	+0066	SE00189	SMD diode-RS-ACT	8A/200V STTH802B-TR (DPAK)(ST)	BD1,BD2,BD3,BD4	
1 1 1 1	+0067	RD00945	SMD resistance 1/4W	1.0 Ω ±1% 1206	R87,R88	
1 1 1 1	+0068	RD00957	SMD precise resistor 1/10W	4.3K Ω ±1% 0603	R31,R32	
1 1 1 1	+0069	RD00293	SMD precise resistor 1/10W	17.4K Ω ±1% 0603	R29	

I I I I I	+0070	RD01001	SMD precise resistance 1/10W	24KΩ ±1% 0603	R53,R54	
I I I I I	+0071	HB04061	PCB	DM 400W+200W_VER150720		
I I I I I	+0072	SB00379	Photodiode	LTV-817S-TA1-C(LITEON)	U6	
I I I I I	+0073	RD00123	SMD fixed resistor 1/10W	470KΩ ±5% 0603	R2,R3,R4,R5	
I I I	+0045	MC01371	top cover	TS212 1.5*19.5*95.6*163_V1.0		
I I I I	+0001	MI00069	iron board	1.5*2135*1220 30.67kg		
I I I	+0046	MG00269	screw-RS	M3*6		fix the top cover
I I	-0020	NI00218	cable tie	ALT-102SB		
I I	-0021	ND01444	EV foam	0.5*650*3mm_V1.0		pasted on the sealed box
I I	+0022	NI02527	knob-RS	φ 14*13mm_V1.3		
I I	-0023	MA11188	panel	TS212S ALTO CHINA_V1.1		
I I I	+0001	MA11187	panel	TS 212 SUB 2t*235*268		
I I I I	+0001	AE00055	solvent	solvent		
I I I I	+0002	AE00201	.	5041		
I I I I	+0003	MA11186	panel	TS 212 SUB 2t*235*268_V1.1		
I I I I I	+0001	ME00001	screw pillar-RS	M4*10*0.7PH_V1.0		
I I I I I	+0002	ME00319	iron pillar-RS-CT	6.35*M3*26.5_V1.0		
I I I I I	+0003	ME00038	iron pillar	6.35*M3*8.4_V1.3		
I I I I I	+0004	MI01580	single light board-RS	2.0*1850*1250mm 36kg		
I I	-0024	NI07837	fixed bracket	TS 212 SUB 81*187.5*24.5_V1.0		
I I	-0025	HA06363	header wiring	7P-7P 200mm UL1007 26AWG		
I I	-0026	NC04781	insulator	φ 7.5_ES503_DB		stick to AC Jack
I	+0022	NF04684	user manual	TS2 SUB ALTO_V1.0		
I I	-0001	NH00231	paper	889*554mm		
I	+0023	ND01485	sponge	1t*15*13.7 black_V1.0		pasted on the LED support*1
I	+0024	NI00218	cable tie	ALT-102SB		fix the speaker cable*1,LED wire*1
I	+0025	NB08874	carton	TS212S ALTO_V1.0		
I	+0026	NE27159	lable	TS212S_V1.0		stick to the right corner of grille
I	+0027	NI07857	3M VHB	1t*31.3*26.4 (3M 4952)_V1.0		stick to the back*2
I	+0028	NI07836	mark	TS 212 SUB 30.35*11.03*90.22_V1.0		
I	+0029	MD02087	iron net	TS212SUB 1.2t*64.8*426.9*411_V1.0		
I	+0030	HA06368	wire	4P 280mm UL1007 18AWG		
I I	-0001	HA06369	wire	4P 280mm UL1007 18AWG		
I I	-0002	CN00283	high frequency magnetism encircle-RS	φ 16*16 (742700752)/WURTH ELEKTRONIK		
I	+0031	NE26801	label	NUMARK SERIES_V1.0		pasted to the PE bags
I I	-0001	NI02598	membrane	125mm		
I I	-0002	NI00068	Scotch tape	0.16*1M		

Rank	Part No	Description	Specification	Insert Location	Remark
PC03017	PC03017	SPEAKER	TS215S_ALTO_110V-120V_CHINA_(NUMARK)		
+0001	NC05054	box	TS215S_V1.1		
+0001	NI02426	foot cushion	φ 37*15.5mm PGHA1022ZA/J1_P_A		
+0002	MI02042	handle-RS	220*163.5*63mm_V1.0		
+0003	ME00082	nut-RS	M5*0.8PH*10.6_V1.2		Lock the woofer
+0004	ME00083	nut	M6*1.0PH*11.6_V1.2		Lock the pole mount
+0005	ME00085	nut	M4*0.7PH*9.3_V1.2		Lock the handles on two sides
+0006	MG00034	screw	M4*16		Lock the handle*12
+0007	MG00338	screw-RS	M4*30mm		Lock the handle*8
+0008	MG00670	SCREW-RS	M6*40		Lock the pole mount*4
+0009	ND00242	EV foam	43*47.5*1.5mm		stick to the handles on two sides
+0010	ND00634	EV foam--RS	2.0t*300*15mm_black_V1.0		stick to the pole mount
+0011	ND00635	EV foam--RS	2.0t*700*15mm_black_V1.0		stick to the handles
+0012	MG00751	screw-RS	M4*20MM		lock the feet*4
+0013	MH01704	handle-RS	ELVIS φ 110*96_V1.3		
+0014	NH00783	Tube	TS215S φ 120* φ 128*378.1_V1.0		used for the cabinet*2
+0015	NC05066	top cover	TS 215S 628*513.3*18mm_V1.0		
+0001	NC03657	Plywood-RS-CARB	2440*1220*18t		
+0016	NC05067	chassis	TS 215S 628*513.3*18mm_V1.0		
+0001	NC03657	Plywood-RS-CARB	2440*1220*18t		
+0017	NC05068	side cover board	TS 215S 562.7*503*18mm_left_V1.0		
+0001	NC03657	Plywood-RS-CARB	2440*1220*18t		
+0018	NC05069	side cover board	TS 215S 562.7*503*18mm_right_V1.0		
+0001	NC03657	Plywood-RS-CARB	2440*1220*18t		
+0019	NC05070	front board	TS 215S 503*486.5*18mm_V1.0		
+0001	NC03657	Plywood-RS-CARB	2440*1220*18t		
+0020	NC05071	rear board	TS 215S 503*375.5*18mm_V1.0		
+0001	NC03657	Plywood-RS-CARB	2440*1220*18t		
+0021	NC05063	rear board	TS 212S 277.5*310.5*18mm_V1.0		
+0001	NC03657	Plywood-RS-CARB	2440*1220*18t		
+0022	NC05072	barrier	TS 215S 509*100*15mm_V1.0		
+0001	NC03656	Plywood-RS-CARB	2440*1220*15t		
+0023	NC05073	billet	TS 215S 476.7*75.3*15mm_V1.0		
+0001	NC03656	Plywood-RS-CARB	2440*1220*15t		
+0024	AE00684	Paint	LTS-6072 25KG/Pail		
+0025	AE00686	Paint	LTS-6071B 10KG/Pail		
+0026	AE00687	Paint	DTS-1202-1 20KG/Pail		
+0027	AE00688	Paint	DTS-1021A-1 20KG/Pail		
+0028	AE00689	Paint	DTS-1021B 10KG/Pail		
+0029	AE00692	Paint	PU-010-4 170KG/Pail		
+0030	AE00693	Paint	MTS-2209 20KG/Pail		
+0031	AE00694	Paint	LTS-6070B-1 10KG/Pail		
+0032	ND01551	Absorb sound sponge-RS	TS215S 1050*450*30t 500g/m ² UL_V1.0		
+0002	HK18345	speaker	15inch 600W 8Ω(TS215S)		
+0001	NH00237	cushion-RS	φ 378*351*8 EVA_V1.2		
+0002	ND00525	dust-proof shade-RS	φ 116*24_V1.0		
+0003	MH01986	magnet-RS	φ 180*95*20 Y30_V1.0		
+0004	MH01110	rivet	M0500A_OU-30		
+0005	MG00263	screw	M5*8		Lock the washer and bracket*6
+0006	HC00426	terminal-RS	M0021B_PT2.1_V1.0		
+0001	HC00496	connect terminal	0.8*13*16.3mm		
+0002	HC00495	connect terminal	0.8*13*16.3mm		
+0003	NI02583	terminal block	3.5*24.5*3t		
+0007	HA04554	line-RS	TA217Y18H2KA33/42WB*2*180mm		
+0001	HA04553	line-RS	TA217Y18H2KA33/42WB*1M		
+0008	NH00552	cone-RS	φ 370* φ 76.5*88 HX:1506_V1.1		
+0009	ND00991	dampner-RS	φ 175* φ 75*19 180030 1.0/100g_V1.0		
+0010	MH02465	iron coil-RS	φ 175*78.5*10 P:120 TL:W175-49_V1.0		
+0011	NE27054	label	HK18345_V1.0		
+0001	NI00015	membrane	0.04*1M		
+0002	NH00012	bond paper	0.04*1M		
+0012	ND00228	sponge	S0720B_NYLON NET D45		
+0013	MI02745	holder-RS	φ 382* φ 81*112 P:90_V1.0		
+0014	MH02463	T type middle pillar-RS	φ 175*74.25*31*10 TL:TD1757-03_V1.0		
+0015	HG00594	voice coil	TIL/4L φ 74.88*48*5.2Ω*0.27 22.2 EI		
+0003	NI07834	net	TS215S 51*544.7*487_V1.0		stick to the back of grille*1
+0004	HA06358	wire	550mm UL1015 18AWG+Capacitance		speaker wire*1
+0001	CF00245	metal-film capacitor-RS	0.0022uF/400V 5% ESK400D22JA		
+0002	HA06357	wire	550mm UL1015 18AWG		
+0005	ND00665	EV foam-RS	950*15*2.0mm_black_V1.0		stick to the AMP
+0006	ND00633	EV foam--RS	1.0t*1500*15mm_black_V1.0		pasted on the two sides of grille
+0007	ND00398	EV foam	SR500A-SUB 1205.5*15*2_V1.0		pasted on the woofer
+0008	MG01030	Screw-RS	M3*20		lock the grille*8
+0009	MG00350	screw-RS	M5*30		lock the woofer*8
+0010	MG00351	screw-RS	M4*16		fix the amp and cabinet*8
+0011	HA00841	power cord(America 3P)	LT-202+18A*3C(SVT) 6FT+LT-501		
+0012	HK17710	PC board	P-TS212 Logo LED-DIP		to fix the logo
+0001	HK17709	PC board	P-TS210 LED--SMD		
+0001	HB04153	PCB-RS	TS212 LOGO LED (4*8)_VER150908		
+0002	SE00270	SMD L.E.D	blue MS-PTB414SUBC	LED1	
+0003	AB00553	SenJu solder paste	M705-GRN360-K2-V 0.5KG/bottle		
+0002	HC00253	connector(male)	2P 2.0mm 180°	CN1	
+0003	ACC0063	lead free soldering bar	S100		
+0013	NI07597	LED lens	TS212 16.69*10.32*8.15_V1.1		
+0014	HA04308	header wiring	2P-2P 700mm UL1007 26AWG red/white		connect the LED of logo
+0015	NA00904	PE bag-RS	0.03t*1100*1300mm 12 hole		pack the speaker
+0016	NA00858	PE bag-RS	0.04t*240*160mm_V1.0		pack the user manual and guarantee
+0017	NA01718	sponge barrier	TS215S_V1.0		

-0018	NE27062	label	TS215S_V1.0		inside and outside*1, carton *1, user manual*1
-0019	NE27070	label	TS215S_V1.0		speaker*1
+0001	NI00015	membrane	0.04*1M		
+0002	NH00012	bond paper	0.04*1M		
-0020	NF03534	assurance card-RS	ALTO PROFESSIONAL_V2.0		
-0021	HK18375	Faceplate	TS215S_ALTO_110-120V_CHINA_(NUMARK)		fixed to the back of the cabinet
+0001	HA01271	single terminal wiring	60 (PC250,PC187)		SW TO AC Jack
+0002	HA01287	wire-RS	60mm UL1015 18AWG blue		SW TO AC Jack
+0003	HA03186	wire	100mm UL1015 14AWG		GND
+0004	HA04141	wire	100mm UL1015 18AWG blue		AC SW to AC Jack
+0005	HA04143	wire	100mm UL1015 18AWG brown		AC SW to AC Jack
+0006	HC00331	AC socket	RF-2004		
+0007	HD00018	glass tube fuse	6.3A 250V ϕ 5.2*20mm CCEE/CSA/S/UL/VDE		
+0008	HI00475	power switch-RS	2*2P RF-1003-BBA8E2X1T		
+0009	ME00016	color nut	4m/m		GND
+0010	MF00014	washer	ϕ 3* ϕ 6.5*0.5t		AMP*6
+0011	MF00038	washer-RS	ϕ 4* ϕ 7*1t		GND
+0012	MF00048	washer-RS	ϕ 4* ϕ 8*0.5t		GND
+0013	MG00061	screw-RS	M3*10(加硬處理)		MIC*8, sealed box*16
+0014	MG00162	screw	M3*8		AMP*6
+0015	MG00163	screw	M3*8		fix the soldering tag*1, PRE GND*1
+0016	NI01862	key	5.5*5.5*14.5_V1.1		
+0017	NI06123	key	9.2*9.2*7.3(3.3*3.3)_V1.0		
-0018	HK18368	PC board	P-TS215 SUB-PRE-DIP		
+0001	HC00253	connector(male)	2P 2.0mm 180°	CN4	
+0002	HC00392	balance MIC jack-RS	JY-5030-030G 180°	JK1,JK2	
+0003	HC01212	balance MIC jack-RS	K6X01V-6-3A	J1,J2	
+0004	HI00162	push-button switch	2 paragraphs 6p PS-22E8552L	SW2,SW3	
+0005	HI00163	push-button switch	2 stage 12P PS-42E85	SW1	
+0006	NI02532	LED spacer support	LEDS-22 22mm		
+0007	RC01034	Potentiometer-RS	30A103-Q1-FA265B120-10K L26.5FCx12	VR1	
+0008	SA00051	L.E.D	ϕ 3 orange,green 28/30/32mm	DL5	
+0009	SA00052	L.E.D	ϕ 3 round(green)long foot 26	DL1,DL2	
+0010	SA00053	L.E.D	ϕ 3 round(red)long foot 26mm	DL4	
+0011	SA00054	L.E.D	3m/m round(yellow)long foot 26	DL3	
+0012	AC00603	lead free soldering bar	S100		
+0013	HK18372	PC board	P-TS215 SUB-PRE-AI		
+0001	CB00192	electrolytic capacitor	10uF/16V ϕ 4*7mm	C1,C2,C3,C6,C7,C35,C36,C37,C38,C42,C70	
+0002	CB00193	electrolytic capacitor	47uF/16V ϕ 6*7mm	C51,C52,C53	
+0003	CB00251	electrolytic capacitor	220UF/25V ϕ 8*11mm	C103,C104	
+0004	CB00262	electrolytic capacitor	47uF/16V NP ϕ 6.3*11mm	C100	
+0005	HK18370	PC board	P-TS215 SUB-PRE-SMD		
+0001	CI00051	SMD ceramic capacitor 0603	22PF/50V COG±5%(C1608C0G1H220T)/TDK	C8,C9,C10,C11,C12,C13,C22,C23,C24,C25,C26,C27,C28,C29,C30,C31,C32,C33,C34,C43,C44	
+0002	CI00055	SMD ceramic capacitor 0603	47PF/50V COG±5%(C1608C0G1H470T)/TDK	C54,C62	
+0003	CI00175	SMD ceramic capacitor 0603	1.0uF/16V X7R±10%(C1608X7R1C105KT)/TDK	C101	
+0004	CI00179	SMD ceramic capacitor 0603	0.22uF/25V X7R±10%(C1608X7R1E224KT)/TDK	C40,C41,C50,C61,C80	
+0005	CI00185	SMD ceramic capacitor 0603	0.1uF/50V X7R±10%(C1608X7R1H104KT)/TDK	C69,C71,C72,C73,C74,C75,C76,C77,C78,C81,C82,C83,C84,C85,C86,C87,C88,C89,C90,C91,C92,C93,C94,C95,C96,C111,C112,C113,C114,C115,C116,C117,C118,C119,C120,C121,C122,C123,C124,C125,C126,C127,C128,C66,C98,C99	
+0006	CI00204	SMD ceramic capacitor 0603	0.027uF/50V ±10%(C1608X7R1H273KT)/TDK	C60	
+0007	CI00205	SMD ceramic capacitor 0603	0.039uF/50V ±10%(C1608X7R1H393KT)/TDK	C59	
+0008	CI00209	SMD ceramic capacitor 0603	0.082uF/50V ±10%(C1608X7R1H823KT)/TDK	C63,C64	
+0009	CI00211	SMD ceramic capacitor 0603	0.15uF/25V X7R±10%(C1608X7R1E154KT)/TDK	C55	
+0010	CI00220	SMD ceramic capacitor 0603	220PF/50V COG ±5%(C1608C0G1H221T)/TDK	C65	
+0011	CI00224	SMD ceramic capacitor 0603	470PF/50V COG ±5%(C1608C0G1H471T)/TDK	C102	
+0012	CI00330	SMD ceramic capacitor-RS 0805	10uF/16V±10%(GRM21BB31C106K)(MURATA)	C4,C5	
+0013	CI00349	SMD ceramic capacitor 0805	4.7uF/25V X5R ±10%	C47,C48,C97	
+0014	CI00404	SMD ceramic capacitor-RS-ACT 0603	0.47uF/16V (GRM188B31C474KA87D)(Murata)	C67,C68,C79	
+0015	CI00413	SMD ceramic capacitor-RS	0.33uF/50V X7R ±10%	C49	
+0016	CO00168	SMD inductance-RS-ACT	1000 Ω ±25%(BLM18RK102SN1D)	L1,L2,L3,L4,R135,R136	
+0017	RD00059	SMD fixed resistor 1/10W	0.0 Ω ±5% 0603	C36,C37,KT11,KT12,TS216	
+0018	RD00075	SMD fixed resistor 1/10W	300 Ω ±5% 0603	R44,R45,R46,R47	
+0019	RD00135	SMD fixed resistor 1/4W	330 Ω ±5% 1206	R134	
+0020	RD00203	SMD precise resistor 1/10W	2.00K Ω ±1% 0603	R81,R82,R83,R84	
+0021	RD00209	SMD precise resistor 1/10W	4.99K Ω ±1% 0603	R38,R39,R96,R98	
+0022	RD00204	SMD precise resistor 1/10W	2.49K Ω ±1% 0603	R97	
+0023	RD00210	SMD precise resistor 1/10W	5.11K Ω ±1% 0603	R114,R115	
+0024	RD00212	SMD precise resistor 1/10W	5.90K Ω ±1% 0603	R55	
+0025	RD00213	SMD precise resistor 1/10W	7.50K Ω ±1% 0603	R94	
+0026	RD00214	SMD precise resistor 1/10W	10.0K Ω ±1% 0603	R1,R2,R3,R4,R5,R8,R9,R36,R37,R40,R41,R42,R43,R102,R103,R104,R105,R106,R10,R11,R75,R76,R16,R17,R19,R130,R57,R59,R60,R61,R62,R63,R64,R65,R66,R67,R86,R87,R88,R89	
+0027	RD00215	SMD precise resistor 1/10W	13.0K Ω ±1% 0603	R137,R138	
+0028	RD00217	SMD precise resistor 1/10W	14.0K Ω ±1% 0603	R78	
+0029	RD00219	SMD precise resistor 1/10W	20.0K Ω ±1% 0603	R107,R108,R6,R7	
+0030	RD00225	SMD precise resistor 1/10W	130K Ω ±1% 0603	R56	
+0031	RD00272	SMD precise resistor 1/10W	10.0 Ω ±1% 0603	R85	

RD00282	SMD precise resistor 1/10W	1.00K Ω \pm 1% 0603	R118,R133
RD00289	SMD precise resistor 1/10W	8.06K Ω \pm 1% 0603	R12,R13
RD00290	SMD precise resistor 1/10W	47.5K Ω \pm 1% 0603	R48,R49,R50,R51
RD00293	SMD precise resistor 1/10W	17.4K Ω \pm 1% 0603	R95,R109
RD00328	SMD precise resistor 1/10W	8.66K Ω \pm 1% 0603	R110
RD00330	SMD precise resistor 1/10W	39.0K Ω \pm 1% 0603	R129
RD00334	SMD precise resistor 1/10W	11.0K Ω \pm 1% 0603	R72,R120
RD00339	SMD precise resistor 1/10W	47.0K Ω \pm 1% 0603	R22,R23,R24,R25,R26,R28,R30,R31,R33,R34,R35
RD00344	SMD precise resistor 1/10W	11.5K Ω \pm 1% 0603	R117
RD00363	SMD precise resistor 1/10W	3.16K Ω \pm 1% 0603	R52
RD00367	SMD precise resistor 1/10W	15.4K Ω \pm 1% 0603	R54,R77,R79,R122
RD00371	SMD precise resistor 1/10W	51.1K Ω \pm 1% 0603	R53
RD00415	SMD precise resistor 1/10W	4.70K Ω \pm 1% 0603	R125,R126,R131
RD00457	SMD precise resistor 1/10W	150K Ω \pm 1% 0603	R101
RD00544	SMD precise resistance 1/10W	22 Ω \pm 1% 0603	R127
RD00545	SMD precise resistance 1/10W	49.9 Ω \pm 1% 0603	R99,R100
RD00550	SMD precise resistor 1/10W	27.0K Ω \pm 1% 0603	R132
RD00709	SMD precise resistor-RS	1.37K Ω \pm 1% 0603	R128
RD00721	SMD fixed resistor-RS 1/10W	22.1K Ω \pm 1% 0603	R124
RD00859	SMD fixed resistor-RS 1/10W	9.09K Ω \pm 1% 0603	R116
RD00893	SMD fixed resistor-RS 1/10W	34.0K Ω \pm 1% 0603	R92
RD00894	SMD fixed resistor-RS 1/10W	46.4K Ω \pm 1% 0603	R20,R27
RD00921	SMD precise resistor 1/10W	3.74K Ω \pm 1% 0603	R90
RD00928	SMD precise resistor 1/10W	22.0K Ω \pm 1% 0603	R123
RD00959	SMD precise resistor 1/10W	16.90K Ω \pm 1% 0603	R93
RD00967	SMD resistance 1/8W	6.98K Ω \pm 1% 0805	R14,R15
RD01038	SMD fixed resistor-RS 1/10W	40.2K Ω \pm 1% 0603	R21,R29
RD01055	SMD fixed resistor-RS 1/10W	14.7K Ω \pm 1% 0603	R80
RD01090	SMD fixed resistor-1/10W	54.9K Ω \pm 1% 0603	R121
RD01115	SMD precise resistor 1/16W	3.0K Ω \pm 1% 0603	R113
RD01117	SMD precise resistor 1/16W	432.0 Ω \pm 1% 0603	R32
SE00155	SMD Schottky barrier diode-RS-ACT	BAT 64-04(SOT-23)(INFINEON)	D1
SE00177	SMD rectifier diode-RS	0.5A LL4148(SOD-80)(VISHAY)	D2,D3,D4
SF00038	transistor	RK7002(ROHM)	TR1
SF00053	transistor	MMBT3906(SOT23)(PHI)	TR2
SG00033	SMD integrated circuit	LM358DT(SO8)(ST)	U18
SG00122	SMD integrated circuit-RS-ACT	NJM4580M-TE3(DMP8)(JRC)	U1,U2,U3,U4,U5,U6,U7,U8,U10,U11,U12,U15,U16,U9,U13,U19
SG00194	SMD integrated circuit	NJM13600M-TE1(DMP16)(JRC)	U14
SG00306	SMD integrated circuit	LM393DR(TD)(MEXICO)	U17,U20
SE00553	SenJu solder paste	M705-GRN360-K2-V 0.5KG/bottle	
SE00243	SMD zener diode-RS	1/2W 12V MMSZ5242A(SOD123)/PANJIT	ZD1,ZD2,ZD3,ZD4,ZD5,ZD6,ZD7,ZD8
HB04398	PCB	TS2 SUB PRE(1*2)_VER160525	
CF00183	metal-film capacitor MSC	0.1uF/100V 5% CASE01	C14,C15,C16,C17,C18,C19,C20,C21,C129,C130
CF00156	metal-film capacitor MSC	0.47uF/63V 5% CASE02	C58
CF00155	metal-film capacitor MSC	0.22uF/63V 5% CASE02	C39
CB00038	electrolytic capacitor	47uF/16V ϕ 5*7mm	R58
HC00258	connector(male)	7P 2.0mm 180°	CN3
HK18332	PC board	P-DM 300W+300W_DIP	
RA00031	metal-oxide-film resistor 2W	10 Ω P type	R41,R42
RA00051	metal-oxide-film resistor 2W	5.6 Ω	R65,R66
NI00268	sleeve	ϕ 6*20mm PGNS1008ZA/J1_P_C	R40
NI00266	sleeve	ϕ 6*1000mm	
MG00162	screw	M3*8	AMP*9
MG00566	screw	M3*10*0.5PH_V1.0	IC*2+shrapnel*9
HC00088	connector(male)	2P 3.9mm 180°(#3921)	J3
HC00174	connector(male)	4P 3.96mm 180°	J5
HC00258	connector(male)	7P 2.0mm 180°	J4
HA01933	jump	2.5mm	BRI
HC00324	connect terminal	6.5m/m (PC250)	J1,J2
CB00151	electrolytic capacitor	220uF/63V ϕ 10*16mm	C98,C99
CN00069	inductance-EMI SUPPRESSOR-RS-ACT	TB36-13-850485	L1,L2,L5,L12
CG00023	X1/Y1 capacitor	0.0022uF/250VAC Y5U	C6,C7,C8,C10,C11
MK00103	spring piece	0.5*22.67*6.5*42.5_V1.0	Lock MOS TUBE
CB00295	electrolytic capacitor	820uF/180V ϕ 25*35	C13,C14
NI04253	sleeve-RS	ϕ 28*50M T-2	MK00103
SD00317	integrated circuit	NJM7912FA(TO220F)(JRC)	U2
ME00226	screw-RS	M3*0.5PH	IC*2+shrapnel*9
SA00316	bridge rectifier-RS	8A GBU-8K/(PANJIT)	D12
NC01179	insulator spacer-RS	0.131*40mm*55mm(HI-FLOW-625)	stick on Q1, Q5
CB00335	electrolytic capacitor-RS	1000uF/16V ϕ 8*20mm	C89,C90
RA01063	metal-oxide-film resistor 3W	0.1 Ω \pm 2% P type	R49
RH00033	thermistor-RS-CT	5 Ω B57235S-0509M000(EPCOS)	R6
SD00380	integrated circuit-RS	NJM7812FA(TO220F)(JRC)	U1
AC00603	lead free soldering bar	S100	
SB00284	transistor-RS	IRFB4020PBF(TO220AB)(IR)	Q6,Q7,Q8,Q9
NC04098	insulator spacer-RS	0.131*27.5*40mm(HI-FLOW-625)	stick on Q6, Q7/Q8, Q9
ND01210	cushion-RS	8*45*10mm(E-4382)	stick on C13/C14
CB00436	electrolytic capacitor-RS	1000uF/63V LSR ϕ 16*25mm	C28,C31,C32,C64
CF00277	metal-film capacitor-RS	0.22uF/100V C242A224K2SC000(Fara)	C52,C53
CB00438	electrolytic capacitor-RS	470uF/25V LSR ϕ 8*20mm	C1,C2
CF00284	metal-film capacitor-RS	0.1uF/630V C8221104J60C000(Fara)	C26
RH00037	thermistor-RS-ACT	330 Ω PTFLO4BG222Q2N34B0(MURATA)	PR200
CF00279	metal-film capacitor-RS	1.0uF/250V C322E105J60C000(Fara)	C50,C51
SB00369	Transistor-RS	FDP18NS0(TO220)/FAIRCHILD	Q1,Q5

1	1	0036	CN00359	inductance	5.0mH φ 0.7*30T	L3,L4
1	1	0037	CG00126	X2 capacitor-RS	0.33uF/275V \pm 10%(C42P2334K6SC000)(FARA)	C9,C12
1	1	0038	TC00585	Transistor	PT-DM 350W+175W(ER35)_230V	T1
1	1	0039	NI07555	insulator	TT12 0.51*95*93_V1.0	
1	1	0001	NI04630	film-RS-CT	450*605*0.5mm 0.184kg_V1.0	
1	1	0040	CG00130	X2 capacitor	0.47uF/305V 20%(C42Q2474M6HC000)(FARA)	C5
1	1	0041	HA01919	jump	5mm	PR1,R110
1	1	0001	HA02249	wire	φ 0.6 鍍錫	
1	1	0042	MI06323	heat-shassis	TS212 2t*40*100*206_V1.2	
1	1	0001	ME00221	iron pillar	M3*8*0.5PH_V1.1	
1	1	0002	MJ00055	AL plate-RS	2*2000*1000 10.88kg	
1	1	0043	CN00372	Inductance	22uH T94-2	L8,L9
1	1	0044	HK18335	PC board	P-DM 300W+300W_AI	
1	1	0001	CB00112	electrolytic capacitor	10uF/35V 105°C φ 4*7mm 2.5mm	C95
1	1	0002	CF00183	metal-film capacitor MSC	0.1uF/100V 5% CASE01	C79,C80
1	1	0003	CB00188	electrolytic capacitor	10uF/63V φ 5*11mm 2.5mm	C37
1	1	0004	CB00034	electrolytic capacitor	33uF/16V φ 5*11mm 2.5mm	C83,C84
1	1	0005	CC00074	mylar capacitor-RS-ACT	0.01uF/100V 3%	C27
1	1	0006	CA00131	ceramic capacitor-RS	0.01uF/1000V Z5U	C15,C16,C25
1	1	0007	CB00409	electrolytic capacitor-RS	22uF/16V 105°C φ 5*11mm	C45,C46
1	1	0008	CB00469	electrolytic capacitor-RS	100uF/16V LSR 105°C φ 5*11mm	C34,C35,C38,C3,C4
1	1	0009	HK18333	PC board	P-DM 300W+300W_SMD	
1	1	0001	SF00083	transistor	MMBT5551LT1G(SOT23)(ON)	Q4
1	1	0002	RD00298	SMD precise resistor 1/10W	47.0 Ω \pm 1% 0603	R23
1	1	0003	SE00012	SMD rectifier diode-RS	BAV103(PHI)	D15,D16,D22,D23
1	1	0004	SG00122	SMD integrated circuit-RS-ACT	NJM4580M-TE3(DMP8)(JRC)	U5
1	1	0005	SE00054	SMD L.E.D	yellow 19-21UYC/S530-A2/TR8	DS1,DS2
1	1	0006	RD00327	SMD precise resistor 1/10W	8.20K Ω \pm 1% 0603	R75,R76
1	1	0007	RD00355	SMD fixed resistor 1/10W	4.7 Ω \pm 5% 0603	R79,R80
1	1	0008	RD00214	SMD precise resistor 1/10W	10.0K Ω \pm 1% 0603	R10,R24,R25,R59,R60,R100,R30
1	1	0009	RD00059	SMD fixed resistor 1/10W	0.0 Ω \pm 5% 0603	R109
1	1	0010	RD00209	SMD precise resistor 1/10W	4.99K Ω \pm 1% 0603	R73,R74
1	1	0011	RD00224	SMD precise resistor 1/10W	100K Ω \pm 1% 0603	R9,R12,R13,R14,R26,R27
1	1	0012	RD00460	SMD precise resistor 1/10W	560 Ω \pm 1% 0603	R64
1	1	0013	RD00466	SMD precise resistor 1/4W	2.0K Ω \pm 1% 1206	R35,R36,R102,R103
1	1	0014	RD00255	SMD precise resistor 1/4W	100K Ω \pm 1% 1206	R7,R8
1	1	0015	RD00506	SMD precise resistor 1/10W	3.30K Ω \pm 1% 0603	R77,R78,C72
1	1	0016	RD00512	SMD precise resistor 1/10W	180K Ω \pm 1% 0603	R92
1	1	0017	RD00219	SMD precise resistor 1/10W	20.0K Ω \pm 1% 0603	R71,R72
1	1	0018	RD00399	SMD precise resistor 1/4W	10.0K Ω \pm 1% 1206	R57,R58
1	1	0019	RD00282	SMD precise resistor 1/10W	1.00K Ω \pm 1% 0603	R21,R39,R63,R91
1	1	0020	RD00272	SMD precise resistor 1/10W	10.0 Ω \pm 1% 0603	R45,R49,R50,R61,R62,R67,R68,R81,R82,R83,R84
1	1	0021	RD00274	SMD precise resistor 1/10W	100 Ω \pm 1% 0603	R69,R70
1	1	0022	RD00414	SMD precise resistor 1/10W	3.90K Ω \pm 1% 0603	R28,R22
1	1	0023	RD00385	SMD precise resistor 1/10W	3.01K Ω \pm 1% 0603	R47,R48
1	1	0024	RD00415	SMD precise resistor 1/10W	4.70K Ω \pm 1% 0603	R85,R86
1	1	0025	RD00400	SMD fixed resistor 1/4W	220 Ω \pm 5% 1206	R1,R17
1	1	0026	RD00525	SMD precise resistor 1/10W	33.0K Ω \pm 1% 0603	R55,R56
1	1	0027	RD00303	SMD precise resistor 1/10W	57.6K Ω \pm 1% 0603	R33,R34
1	1	0028	RD00200	SMD precise resistor 1/10W	150 Ω \pm 1% 0603	R46
1	1	0029	CI00096	SMD ceramic capacitor 0603	560PF/50V NPO \pm 5%	C20
1	1	0030	CI00145	SMD ceramic capacitor 0805	0.0015uF/50V X7R \pm 10%	C60,C61,C62,C63,C67,C68
1	1	0031	CI00154	SMD ceramic capacitor 1206	0.1uF/100V X7R \pm 10%	C33,C69
1	1	0032	CI00185	SMD ceramic capacitor 0603	0.1uF/50V X7R \pm 10%(C1608X7R1H104KT)/TDK	C29,C30,C56,C57,C81,C82,C91,C92,C93,C94,C19
1	1	0033	CI00179	SMD ceramic capacitor 0603	0.22uF/25V X7R \pm 10%(C1608X7R1E224KT)/TDK	C44
1	1	0034	CI00195	SMD ceramic capacitor 1206	4.7uF/25V Y5V (GRM31CB11E475ZA01D)	C65,C66,C70,C71,C85,C86,C87,C88,C36,C24
1	1	0035	CI00206	SMD ceramic capacitor 0603	0.047uF/50V \pm 10%(C1608X7R1H473KT)/TDK	C18,C49
1	1	0036	CI00201	SMD ceramic capacitor 0603	0.01uF/50V \pm 10%(C1608X7R1H103KT)/TDK	C58,C59
1	1	0037	CI00051	SMD ceramic capacitor 0603	22PF/50V COG \pm 5%(C1608C0G1H220T)/TDK	C43
1	1	0038	CI00220	SMD ceramic capacitor 0603	220PF/50V COG \pm 5%(C1608C0G1H221T)/TDK	C39,C42
1	1	0039	SF00082	transistor-RS-ACT	MMBT5401LT1G(SOT23)(ON)	Q3
1	1	0040	RD00541	SMD precise resistance 1/10W	0 Ω \pm 1% 0603	350W+175W
1	1	0041	RD00596	SMD precise resistor-RS 1/4W	10.0 Ω \pm 1% 1206	R37,R38,R96,R99
1	1	0042	CI00269	SMD ceramic capacitor-RS 1206	1.0uF/25V X7R \pm 10%	C23,C41
1	1	0043	SE00089	SMD zener diode-RS	1/2W 5.1V(MMSZ5231B)(SOD-123)(PANJIT)	D5,D19
1	1	0044	RD00636	SMD precise resistor-RS 1/4W	47.0K Ω \pm 1% 1206	R18,R52
1	1	0045	SE00098	SMD zener diode-RS-C	1W 15V DL4744A MELF(S)	D14
1	1	0046	SG00495	SMD integrated circuit-RS	IR2156SPBF(SO14)(IR)	U3
1	1	0047	CI00279	SMD ceramic capacitor-RS 1206	0.0022uF/200Vx7R \pm 10%	R94
1	1	0048	CI00306	SMD ceramic capacitor-RS	1.0uF/25V X7R \pm 10%	C21,C22
1	1	0049	AE00553	SenJu solder paste	M705-GRN360-K2-V 0.5KG/bottle	
1	1	0050	RD00697	SMD precise resistor-RS	390.0 Ω \pm 1% 0603	R51
1	1	0051	SE00133	SMD zener diode-RS	225mW 12V BZX84C12LT1G(SOT23)	D18
1	1	0052	SE00134	SMD rectifier diode-RS-ACT	1A 600V MURS160T3G (SMB)(ON)	D13
1	1	0053	SG00667	SMD integrated circuit-RS	IRS2092S(SOIC16N)(IR)	U7,U8
1	1	0054	CI00328	SMD ceramic capacitor-RS 1206	150PF/630V COG \pm 5%(C3216C0G2151J)/TDK	C47,C48
1	1	0055	SE00149	SMD double-direct triy diode-RS	1A/30V RB160M-30(ROHM)	D3,D4
1	1	0056	RD00818	SMD fixed resistor 2W	2.2K Ω \pm 5% 2512	R43,R44
1	1	0057	RD00800	SMD precise resistor 1/8W	10.0 Ω \pm 1% 0805	R112,R113,R114,R115
1	1	0058	SG00729	SMD integrated circuit-RS-ACT	MC78M12CDTRKG(DPAK-3)(ON)	U4
1	1	0059	SE00156	SMD diode-RS-ACT	1A/200V ES1D(SMA)(FAIRCHILD)	D1,D2,D20,D21,D28
1	1	0060	CI00356	SMD ceramic capacitor 1206	0.1uF/250V X7R \pm 10%(GRM31CR72E104KW03L)	C73,C74,C75,C76,C77,C78,R104,R105,R106,R107
1	1	0061	SE00161	SMD diode-RS	2A/200V ER2D 35nS(DO214AA)(PANJIT)	D29,D30,D31,D32,D33,D34,D35,D36

CO00168	SMD inductance-RS-ACT	1000Ω±25%(BLM18RK102SN1D)	L6,L7,L10,L11,L14,L15,L16,L17,L13
CI00366	SMD ceramic capacitor 0805	220PF/250V COG ±5%	C100,C101,C102,C103
CI00387	SMD ceramic capacitor-RS	0.0022μF/250V X7R ±10%	C54,C55
SE00177	SMD rectifier diode-RS	0.5A LL4148(SOD-80)(VISHAY)	D10,D11,D24,D25,D26,L27
SE00189	SMD diode-RS-ACT	8A/200V STTH802B-TR (DPAK)(ST)	BD1,BD2,BD3,BD4
RD00945	SMD resistance 1/4W	1.0Ω ±1% 1206	R87,R88
RD00957	SMD precise resistor 1/10W	4.3KΩ ±1% 0603	R31,R32
RD00293	SMD precise resistor 1/10W	17.4KΩ ±1% 0603	R29
RD01001	SMD precise resistance 1/10W	24KΩ ±1% 0603	R53,R54
HB04061	PCB	DM 400W+200W_VER150720	
SB00379	Photodiode	LTV-817S-TAI-C(LITEON)	U6
RD00123	SMD fixed resistor 1/10W	470KΩ ±5% 0603	R2,R3,R4,R5
MC01371	top cover	TS212 1.5t*19.5*95.6*163_V1.0	
MJ00069	iron board	1.5*2135*1220 30.67kg	
MG00269	screw-RS	M3*6	fix the top cover
NI00218	cable tie	ALT-102SB	
HA05997	header wiring	2P UL1007 18AWG	
ND01444	EV foam	0.5t*650*3mm_V1.0	pasted on the sealed box
MA11189	panel	TS215S ALTO CHINA_V1.1	
MA11187	panel	TS 212 SUB 2t*235*268	
AE00055	solvent	solvent	
AE00201		5041	
MA11186	panel	TS 212 SUB 2t*235*268_V1.1	
ME00001	screw pillar-RS	M4*10*0.7PH_V1.0	
ME00319	iron pillar-RS-CT	6.35*M3*26.5_V1.0	
ME00038	iron pillar	6.35*M3*8.4_V1.3	
MJ01580	single light board-RS	2.0t*1850*1250mm 36kg	
NI07837	fixed bracket	TS 212 SUB 81*187.5*24.5_V1.0	
NI02527	knob-RS	φ 14*13mm_V1.3	
HA06363	header wiring	7P-7P 200mm UL1007 26AWG	
NC04781	insulator	φ 7.5_ES503_DB	stick to AC Jack
NI02590	cable tie	YJ-203V0 UL94V-0	fix the speaker wire*1
NF04684	user manual	TS2 SUB ALTO_V1.0	
NH00231	paper	889*554mm	
NE27157	label	TS215SXUS_V1.0	pasted on the two sides of carton*2
NI00018	membrane	0.06*1M	
NH00035	bond paper	0.06*1M	
NI00218	cable tie	ALT-102SB	LED wire*1
ND01485	sponge	1t*15*13.7 black_V1.0	pasted on the LED support*1
NB08875	carton	TS215S ALTO_V1.0	
NE27160	label	TS215S_V1.0	stick to the right corner of grille
NI07857	3M VHB	1t*31.3*26.4 (3M 4952)_V1.0	stick to the back*2
NI07836	mark	TS 212 SUB 30.35*11.03*90.22_V1.0	
MD02088	iron net	TS215SUB 1.2t*76.7*545.3*491_V1.0	
HA06368	wire	4P 280mm UL1007 18AWG	
HA06369	wire	4P 280mm UL1007 18AWG	
CN00283	high frequency magnetism encircle-RS	φ 16*16 (742700752)/WURTH ELEKTRONIK	
NE26801	label	NUMARK SERIES_V1.0	pasted to the PE bags
NI02598	membrane	125mm	
NI00068	Scotch tape	0.16*1M	
NE21518	label	APX2000/3000_V1.1	stick to the powercon

Rank	Part No	Description	Specification	Insert Location	Remark
PC03018	PC03018	SPEAKER	TS215S_ALTO_230V_CHINA_(NUMARK)		
+0001	NC05054	box	TS215S_V1.1		
-0001	NI02426	foot cushion	φ 37*15.5mm PGHA1022ZA/J1_P_A		
-0002	MI02042	handle-RS	220*163.5*63mm_V1.0		
-0003	ME00082	nut-RS	M5*0.8PH*10.6_V1.2		Lock the woofer
-0004	ME00083	nut	M6*1.0PH*11.6_V1.2		Lock the pole mount
-0005	ME00085	nut	M4*0.7PH*9.3_V1.2		Lock the handles on two sides
-0006	MG00034	screw	M4*16		Lock the handle*12
-0007	MG00338	screw-RS	M4*30mm		Lock the handle*8
+0008	MG00670	SCREW-RS	M6*40		Lock the pole mount*4
-0009	ND00242	EV foam	43*47.5*1.5mm		stick to the handles on two sides
-0010	ND00634	EV foam--RS	2.0t*300*15mm black_V1.0		stick to the pole mount
-0011	ND00635	EV foam--RS	2.0t*700*15mm black_V1.0		stick to the handles
-0012	MG00751	screw-RS	M4*20MM		lock the feet*4
-0013	MH01704	handle-RS	ELVIS φ 110*96_V1.3		
-0014	NH00783	Tube	TS215S φ 120*φ 128*378.1_V1.0		used for the cabinet*2
-0015	NC05066	top cover	TS 215S 628*513.3*18mm_V1.0		
-0001	NC03657	Plywood-RS-CARB	2440*1220*18t		
-0016	NC05067	chassis	TS 215S 628*513.3*18mm_V1.0		
-0001	NC03657	Plywood-RS-CARB	2440*1220*18t		
-0017	NC05068	side cover board	TS 215S 562.7*503*18mm left_V1.0		
-0001	NC03657	Plywood-RS-CARB	2440*1220*18t		
-0018	NC05069	side cover board	TS 215S 562.7*503*18mm right_V1.0		
-0001	NC03657	Plywood-RS-CARB	2440*1220*18t		
+0019	NC05070	front board	TS 215S 503*486.5*18mm_V1.0		
-0001	NC03657	Plywood-RS-CARB	2440*1220*18t		
+0020	NC05071	rear board	TS 215S 503*375.5*18mm_V1.0		
-0001	NC03657	Plywood-RS-CARB	2440*1220*18t		
-0021	NC05063	rear board	TS 212S 277.5*310.5*18mm_V1.0		
-0001	NC03657	Plywood-RS-CARB	2440*1220*18t		
-0022	NC05072	barrier	TS 215S 509*100*15mm_V1.0		
-0001	NC03656	Plywood-RS-CARB	2440*1220*15t		
+0023	NC05073	billet	TS 215S 476.7*75.3*15mm_V1.0		
-0001	NC03656	Plywood-RS-CARB	2440*1220*15t		
+0024	AE00684	Paint	LTS-6072 25KG/Pail		
-0025	AE00686	Paint	LTS-6071B 10KG/Pail		
+0026	AE00687	Paint	DTS-1202-1 20KG/Pail		
+0027	AE00688	Paint	DTS-1021A-1 20KG/Pail		
+0028	AE00689	Paint	DTS-1021B 10KG/Pail		
+0029	AE00692	Paint	PU-010-4 170KG/Pail		
-0030	AE00693	Paint	MTS-2209 20KG/Pail		
+0031	AE00694	Paint	LTS-6070B-1 10KG/Pail		
-0032	ND01551	Absorb sound sponge-RS	TS215S 1050*450*30t 500g/m ³ UL_V1.0		
+0002	HK18345	speaker	15inch 600W 8Ω (TS215S)		
+0001	NH00237	cushion-RS	φ 378*351*8 EVA_V1.2		
-0002	ND00525	dust-proof shade-RS	φ 116*24_V1.0		
-0003	MH01986	magnet-RS	φ 180*95*20 Y30_V1.0		
-0004	MH01110	rivet	M0500A_OU-30		
-0005	MG00263	screw	M5*8		Lock the washer and bracket*6
+0006	HC00426	terminal-RS	M0021B_PT2.1_V1.0		
-0001	HC00496	connect terminal	0.8*13*16.3mm		
-0002	HC00495	connect terminal	0.8*13*16.3mm		
-0003	NI02583	terminal block	3.5*24.5*3t		
-0007	HA04554	line-RS	TA2J7Y18H2KA33/42WB*2*180mm		
-0001	HA04553	line-RS	TA2J7Y18H2KA33/42WB*1M		
-0008	NH00552	cone-RS	φ 370*φ 76.5*88 HX:1506_V1.1		
-0009	ND00991	dampner-RS	φ 175*φ 75*19 180030 1.0/100g_V1.0		
+0010	MH02465	iron coil-RS	φ 175*78.5*10 P:120 TL:W175-49_V1.0		
-0011	NE27054	label	HK18345_V1.0		
-0001	NI00015	membrane	0.04*1M		
-0002	NH00012	bond paper	0.04*1M		
-0012	ND00228	sponge	S0720B_NYLON NET D45		
+0013	MI02745	holder-RS	φ 382*φ 81*112 P:90_V1.0		
-0014	MH02463	T type middle pillar-RS	φ 175*74.25*31*10 TL:TD1757-03_V1.0		
-0015	HG00594	voice coil	TTL/4L φ 74.88*48*5.2Ω*0.27 22.2 EI		
+0003	NI07834	net	TS215S 5t*544.7*487_V1.0		stick to the back of grille*1
+0004	HA06358	wire	550mm UL1015 18AWG+Capacitance		speaker wire*1
+0001	CF00245	metal-film capacitor-RS	0.0022uF/400V 5% ESK400D22JA		
-0002	HA06357	wire	550mm UL1015 18AWG		
+0005	ND00665	EV foam-RS	950*15*2.0mm black_V1.0		stick to the AMP
+0006	ND00633	EV foam--RS	1.0t*1500*15mm black_V1.0		pasted on the two sides of grille
+0007	ND00398	EV foam	SR500A-SUB 1205.5*15*2_V1.0		pasted on the woofer
+0008	MG01030	Screw-RS	M3*20		lock the grille*8
+0009	MG00350	screw-RS	M5*30		lock the woofer*8
+0010	MG00351	screw-RS	M4*16		fix the amp and cabinet*8
+0011	HK17710	PC board	P-TS212 Logo LED-DIP		to fix the logo
-0001	HK17709	PC board	P-TS210 LED--SMD		
-0001	HB04153	PCB-RS	TS212 LOGO LED (4*8)_VER150908		
-0002	SE00270	SMD L.E.D	blue MS-PTB414SUBC	LED1	
-0003	AE00553	SenJu solder paste	M705-GRN360-K2-V 0.5KG/bottle		
-0002	HC00253	connector(male)	2P 2.0mm 180°	CN1	
-0003	AC00603	lead free soldering bar	S100		
+0012	NI07597	LED lens	TS212 16.69*10.32*8.15_V1.1		
+0013	HA04308	header wiring	2P-2P 700mm UL1007 26AWG red/white		connect the LED of logo
+0014	NA00904	PE bag-RS	0.03t*1100*1300mm 12 hole		speaker*1, guarantee*1, carton*2

-0015	NA00858	PE bag-RS	0.04t*240*160mm_V1.0		pack the user manual and guarantee
-0016	NA01718	sponge barrier	TS215S_V1.0		
-0017	NE27062	label	TS215S_V1.0		Inside and outside*1, carton *1, user manual*1
-0018	NE27070	label	TS215S_V1.0		speaker*1
-0001	NI00015	membrane	0.04*1M		
-0002	NH00012	bond paper	0.04*1M		
-0019	NF03534	assurance card-RS	ALTO PROFESSIONAL_V2.0		
-0020	HK18378	Faceplate	TS215S_ALTO_220-240V_CHINA_(NUMARK)		fixed to the back of the cabinet
-0001	HA01271	single terminal wiring	60 (PC250,PC187)		SW TO AC Jack
-0002	HA01287	wire-RS	60mm UL1015 18AWG blue		SW TO AC Jack
-0003	HA03186	wire	100mm UL1015 14AWG		GND
-0004	HA04141	wire	100mm UL1015 18AWG blue		AC SW to AC Jack
-0005	HA04143	wire	100mm UL1015 18AWG brown		AC SW to AC Jack
-0006	HC00331	AC socket	RF-2004		
-0007	HD00013	glass tube fuse	3.15A 250V ϕ 5*20mm CSA/S/UL/VDE		
-0008	HI00475	power switch-RS	2*2P RF-1003-BBA8E2X1T		
-0009	ME00016	color nut	4m/m		GND
-0010	MF00014	washer	ϕ 3* ϕ 6.5*0.5t		AMP*6
-0011	MF00038	washer-RS	ϕ 4* ϕ 7*1t		GND
-0012	MF00048	washer-RS	ϕ 4* ϕ 8*0.5t		GND
-0013	MG00061	screw-RS	M3*10(加硬處理)		MIC*8, sealed box*16
-0014	MG00162	screw	M3*8		AMP*6
-0015	MG00163	screw	M3*8		fix the soldering tag*1, PRE GND*1
-0016	NI01862	key	5.5*5.5*14.5_V1.1		
-0017	NI06123	key	9.2*9.2*7.3(3.3*3.3)_V1.0		
-0018	HK18368	PC board	P-TS215 SUB-PRE-DIP		
-0001	HC00253	connector(male)	2P 2.0mm 180°	CN4	
-0002	HC00392	balance MIC jack-RS	JY-5030-030G 180°	JK1,JK2	
-0003	HC01212	balance MIC jack-RS	K6X01V-6-3A	J1,J2	
-0004	HI00162	push-button switch	2 paragraphs 6P PS-22E8552L	SW2,SW3	
-0005	HI00163	push-button switch	2 stage 12P PS-42E85	SW1	
-0006	NI02532	LED spacer support	LEDS-22 22mm		
-0007	RC01034	Potentiometer-RS	30A103-Q1-FA265B120-10K L26.5FCx12	VR1	
-0008	SA00051	L.E.D	ϕ 3 orange,green 28/30/32mm	DL5	
-0009	SA00052	L.E.D	ϕ 3 round(green)long foot 26	DL1,DL2	
-0010	SA00053	L.E.D	ϕ 3 round(red)long foot 26mm	DL4	
-0011	SA00054	L.E.D	3m/m round(yellow)long foot 26	DL3	
-0012	AC00603	lead free soldering bar	S100		
-0013	HK18372	PC board	P-TS215 SUB-PRE-A1		
-0001	CB00192	electrolytic capacitor	10uF/16V ϕ 4*7mm	C1,C2,C3,C6,C7,C35,C36,C37,C38,C42,C70	
-0002	CB00193	electrolytic capacitor	47uF/16V ϕ 6*7mm	C51,C52,C53	
-0003	CB00251	electrolytic capacitor	220UF/25V ϕ 8*11mm	C103,C104	
-0004	CB00262	electrolytic capacitor	47uF/16V NP ϕ 6.3*11mm	C100	
-0005	HK18370	PC board	P-TS215 SUB-PRE-SMD		
-0001	CI00051	SMD ceramic capacitor 0603	22PF/50V C0G \pm 5%(C1608C0G1H220JT)/TDK	C8,C9,C10,C11,C12,C13,C22,C23,C24,C25,C26,C27,C28,C29,C30,C31,C32,C33,C34,C43,C44	
-0002	CI00055	SMD ceramic capacitor 0603	47PF/50V C0G \pm 5%(C1608C0G1H470JT)/TDK	C54,C62	
-0003	CI00175	SMD ceramic capacitor 0603	1.0uF/16V X7R \pm 10%(C1608X7R1E105KT)/TDK	C101	
-0004	CI00179	SMD ceramic capacitor 0603	0.22uF/25V X7R \pm 10%(C1608X7R1E224KT)/TDK	C40,C41,C50,C61,C80	
-0005	CI00185	SMD ceramic capacitor 0603	0.1uF/50V X7R \pm 10%(C1608X7R1H104KT)/TDK	C69,C71,C72,C73,C74,C75,C76,C77,C78,C81,C82,C83,C84,C85,C86,C87,C88,C89,C90,C91,C92,C93,C94,C95,C96,C111,C112,C113,C114,C115,C116,C117,C118,C119,C120,C121,C122,C123,C124,C125,C126,C127,C128,C66,C98,C99	
-0006	CI00204	SMD ceramic capacitor 0603	0.027uF/50V \pm 10%(C1608X7R1H273KT)/TDK	C60	
-0007	CI00205	SMD ceramic capacitor 0603	0.039uF/50V \pm 10%(C1608X7R1H393KT)/TDK	C59	
-0008	CI00209	SMD ceramic capacitor 0603	0.082uF/50V \pm 10%(C1608X7R1H823KT)/TDK	C63,C64	
-0009	CI00211	SMD ceramic capacitor 0603	0.15uF/25V X7R \pm 10%(C1608X7R1E154KT)/TDK	C55	
-0010	CI00220	SMD ceramic capacitor 0603	220PF/50V C0G \pm 5%(C1608C0G1H221JT)/TDK	C65	
-0011	CI00224	SMD ceramic capacitor 0603	470PF/50V C0G \pm 5%(C1608C0G1H471JT)/TDK	C102	
-0012	CI00330	SMD ceramic capacitor-RS 0805	10uF/16V \pm 10%(GRM21BB31C106K)(MURATA)	C4,C5	
-0013	CI00349	SMD ceramic capacitor 0805	4.7uF/25V X5R \pm 10%	C47,C48,C97	
-0014	CI00404	SMD ceramic capacitor-RS-ACT 0603	0.47uF/16V (GRM188B31C474KA87D)(Murata)	C67,C68,C79	
-0015	CI00413	SMD ceramic capacitor-RS	0.33uF/50V X7R \pm 10%	C49	
-0016	CO00168	SMD inductance-RS-ACT	1000 Ω \pm 25%(BLM18RK102SN1D)	L1,L2,L3,L4,R135,R136	
-0017	RD00059	SMD fixed resistor 1/10W	0.0 Ω \pm 5% 0603	C56,C57,R111,R112,TS215	
-0018	RD00075	SMD fixed resistor 1/10W	300 Ω \pm 5% 0603	R44,R45,R46,R47	
-0019	RD00135	SMD fixed resistor 1/4W	330 Ω \pm 5% 1206	R134	
-0020	RD00203	SMD precise resistor 1/10W	2.00K Ω \pm 1% 0603	R81,R82,R83,R84	
-0021	RD00209	SMD precise resistor 1/10W	4.99K Ω \pm 1% 0603	R38,R39,R96,R98	
-0022	RD00204	SMD precise resistor 1/10W	2.49K Ω \pm 1% 0603	R97	
-0023	RD00210	SMD precise resistor 1/10W	5.11K Ω \pm 1% 0603	R114,R115	
-0024	RD00212	SMD precise resistor 1/10W	5.90K Ω \pm 1% 0603	R55	
-0025	RD00213	SMD precise resistor 1/10W	7.50K Ω \pm 1% 0603	R94	
-0026	RD00214	SMD precise resistor 1/10W	10.0K Ω \pm 1% 0603	R1,R2,R3,R4,R5,R8,R9,R36,R37,R40,R41,R42,R43,R102,R103,R104,R105,R106,R10,R11,R75,R76,R16,R17,R19,R130,R57,R59,R60,R61,R62,R63,R64,R65,R66,R67,R86,R87,R88,R89	
-0027	RD00215	SMD precise resistor 1/10W	13.0K Ω \pm 1% 0603	R137,R138	

1	1	1	1	+0028	RD00217	SMD precise resistor 1/10W	14.0K Ω \pm 1% 0603	R78	
1	1	1	1	+0029	RD00219	SMD precise resistor 1/10W	20.0K Ω \pm 1% 0603	R107,R108,R6,R7	
1	1	1	1	+0030	RD00225	SMD precise resistor 1/10W	130K Ω \pm 1% 0603	R56	
1	1	1	1	+0031	RD00272	SMD precise resistor 1/10W	10.0 Ω \pm 1% 0603	R85	
1	1	1	1	+0032	RD00282	SMD precise resistor 1/10W	1.00K Ω \pm 1% 0603	R118,R133	
1	1	1	1	+0033	RD00289	SMD precise resistor 1/10W	8.06K Ω \pm 1% 0603	R12,R13	
1	1	1	1	+0034	RD00290	SMD precise resistor 1/10W	47.5K Ω \pm 1% 0603	R48,R49,R50,R51	
1	1	1	1	+0035	RD00293	SMD precise resistor 1/10W	17.4K Ω \pm 1% 0603	R95,R109	
1	1	1	1	+0036	RD00328	SMD precise resistor 1/10W	8.66K Ω \pm 1% 0603	R110	
1	1	1	1	+0037	RD00330	SMD precise resistor 1/10W	39.0K Ω \pm 1% 0603	R129	
1	1	1	1	+0038	RD00334	SMD precise resistor 1/10W	11.0K Ω \pm 1% 0603	R72,R120	
1	1	1	1	+0039	RD00339	SMD precise resistor 1/10W	47.0K Ω \pm 1% 0603	R22,R23,R24,R25,R26,R28 ,R30,R31,R33,R34,R35	
1	1	1	1	+0040	RD00344	SMD precise resistor 1/10W	11.5K Ω \pm 1% 0603	R117	
1	1	1	1	+0041	RD00363	SMD precise resistor 1/10W	3.16K Ω \pm 1% 0603	R52	
1	1	1	1	+0042	RD00367	SMD precise resistor 1/10W	15.4K Ω \pm 1% 0603	R54,R77,R79,R122	
1	1	1	1	+0043	RD00371	SMD precise resistor 1/10W	51.1K Ω \pm 1% 0603	R53	
1	1	1	1	+0044	RD00415	SMD precise resistor 1/10W	4.70K Ω \pm 1% 0603	R125,R126,R131	
1	1	1	1	+0045	RD00457	SMD precise resistor 1/10W	150K Ω \pm 1% 0603	R101	
1	1	1	1	+0046	RD00544	SMD precise resistance 1/10W	22 Ω \pm 1% 0603	R127	
1	1	1	1	+0047	RD00545	SMD precise resistance 1/10W	49.9 Ω \pm 1% 0603	R99,R100	
1	1	1	1	+0048	RD00550	SMD precise resistor 1/10W	27.0K Ω \pm 1% 0603	R132	
1	1	1	1	+0049	RD00709	SMD precise resistor-RS	1.37K Ω \pm 1% 0603	R128	
1	1	1	1	+0050	RD00721	SMD fixed resistor-RS 1/10W	22.1K Ω \pm 1% 0603	R124	
1	1	1	1	+0051	RD00859	SMD fixed resistor-RS 1/10W	9.09K Ω \pm 1% 0603	R116	
1	1	1	1	+0052	RD00893	SMD fixed resistor-RS 1/10W	34.0K Ω \pm 1% 0603	R92	
1	1	1	1	+0053	RD00894	SMD fixed resistor-RS 1/10W	46.4K Ω \pm 1% 0603	R20,R27	
1	1	1	1	+0054	RD00921	SMD precise resistor 1/10W	3.74K Ω \pm 1% 0603	R90	
1	1	1	1	+0055	RD00928	SMD precise resistor 1/10W	22.0K Ω \pm 1% 0603	R123	
1	1	1	1	+0056	RD00959	SMD precise resistor 1/10W	16.9K Ω \pm 1% 0603	R93	
1	1	1	1	+0057	RD00967	SMD resistance 1/8W	6.98K Ω \pm 1% 0805	R14,R15	
1	1	1	1	+0058	RD01038	SMD fixed resistor-RS 1/10W	40.2K Ω \pm 1% 0603	R21,R29	
1	1	1	1	+0059	RD01055	SMD fixed resistor-RS 1/10W	14.7K Ω \pm 1% 0603	R80	
1	1	1	1	+0060	RD01090	SMD fixed resistor-1/10W	54.9K Ω \pm 1% 0603	R121	
1	1	1	1	+0061	RD01115	SMD precise resistor 1/16W	3.0K Ω \pm 1% 0603	R113	
1	1	1	1	+0062	RD01117	SMD precise resistor 1/16W	432.0 Ω \pm 1% 0603	R32	
1	1	1	1	+0063	SE00155	SMD Schottky barrier diode-RS-ACT	BAT 64-04(SOT-23)(INFINEON)	D1	
1	1	1	1	+0064	SE00177	SMD rectifier diode-RS	0.5A LL4148(SOD-80)(VISHAY)	D2,D3,D4	
1	1	1	1	+0065	SF00038	transistor	RK7002(ROHM)	TR1	
1	1	1	1	+0066	SF00053	transistor	MMBT3906(SOT23)(PHI)	TR2	
1	1	1	1	+0067	SG00033	SMD integrated circuit	LM358DT(SO8)(ST)	U18	
1	1	1	1	+0068	SG00122	SMD integrated circuit-RS-ACT	NJM4580M-TE3(DMP8)(JRC)	U1,U2,U3,U4,U5,U6,U7,U 8,U10,U11,U12,U15,U16, U9,U13,U19	
1	1	1	1	+0069	SG00194	SMD integrated circuit	NJM13600M-TE1(DMP16)(JRC)	U14	
1	1	1	1	+0070	SG00306	SMD integrated circuit	LM393DR(TI)(MEXICO)	U17,U20	
1	1	1	1	+0071	AE00553	SenJu solder paste	M705-GRN360-K2-V 0.5KG/bottle		
1	1	1	1	+0072	SE00243	SMD zener diode-RS	1/2W 12V MMSZ5242A(SOD123)/PANJIT	ZD1,ZD2,ZD3,ZD4,ZD5,Z D6,ZD7,ZD8	
1	1	1	1	+0073	HB04398	PCB	TS2 SUB PRE(1*2)_VER160525		
1	1	1	1	+0006	CF00183	metal-film capacitor MSC	0.1uF/100V 5% CASE01	C14,C15,C16,C17,C18,C19 ,C20,C21,C22,C23	
1	1	1	1	+0007	CF00156	metal-film capacitor MSC	0.47uF/63V 5% CASE02	C58	
1	1	1	1	+0008	CF00155	metal-film capacitor MSC	0.22uF/63V 5% CASE02	C39	
1	1	1	1	+0009	CB00038	electrolytic capacitor	47uF/16V ϕ 5*7mm	R58	
1	1	1	1	+0014	HCO0258	connector(male)	7P 2.0mm 180'	CN3	
1	1	1	1	+0019	HK18332	PC board	P-DM 300W+300W_DIP		
1	1	1	1	+0001	RA00031	metal-oxide-film resistor 2W	10 Ω P type	R41,R42	
1	1	1	1	+0002	RA00051	metal-oxide-film resistor 2W	5.6 Ω	R65,R66	
1	1	1	1	+0003	NI00268	sleeve	ϕ 6*20mm PGNS1008ZA/J1_P_C	R40	
1	1	1	1	+0001	NI00266	sleeve	ϕ 6*1000mm		
1	1	1	1	+0004	MG00162	screw	M3*8		AMP*9
1	1	1	1	+0005	MG00566	screw	M3*10*0.5PH_V1.0		IC*2+shrapnel*9
1	1	1	1	+0006	HCO0088	connector(male)	2P 3.9mm 180'(#3921)	J3	
1	1	1	1	+0007	HCO0174	connector(male)	4P 3.96mm 180'	J5	
1	1	1	1	+0008	HCO0258	connector(male)	7P 2.0mm 180'	J4	insert near L16
1	1	1	1	+0009	HA01933	jump	2.5mm	BR1	
1	1	1	1	+0010	HCO0324	connect terminal	6.5mm/m (PC250)	J1,J2	
1	1	1	1	+0011	CB00151	electrolytic capacitor	220uF/63V ϕ 10*16mm	C98,C99	
1	1	1	1	+0012	CN00069	inductance-EMI SUPPRESSOR-RS-ACT	TB36-13-850485	L1,L2,L5,L12	
1	1	1	1	+0013	CG00023	X1/Y1 capacitor	0.0022uF/250VAC Y5U	C6,C7,C8,C10,C11	
1	1	1	1	+0014	MK00103	spring piece	0.5t*22.67*6.5*42.5_V1.0		Lock MOS TUBE
1	1	1	1	+0015	CB00295	electrolytic capacitor	820uF/180V ϕ 25*35	C13,C14	
1	1	1	1	+0016	NI04253	sleeve-RS	ϕ 28*50M T-2		MK00103
1	1	1	1	+0017	SD00317	integrated circuit	NJM7912FA(TO220F)(JRC)	U2	
1	1	1	1	+0018	ME00226	screw-RS	M3*0.5PH		IC*2+shrapnel*9
1	1	1	1	+0019	SA00316	bridge rectifier-RS	8A GBU-8K/(PANJIT)	D12	
1	1	1	1	+0020	NC01179	insulator spacer-RS	0.13t*40mm*55mm(HI-FLOW-625)		stick on Q1, Q5
1	1	1	1	+0021	CB00335	electrolytic capacitor-RS	1000uF/16V ϕ 8*20mm	C89,C90	
1	1	1	1	+0022	RA01063	metal-oxide-film resistor 3W	0.1 Ω \pm 2% P type	R40	
1	1	1	1	+0023	RH00033	thermistor-RS-CT	5 Ω B57235S-0509M000(EPCOS)	R6	
1	1	1	1	+0024	SD00380	integrated circuit-RS	NJM7812FA(TO220F)(JRC)	U1	
1	1	1	1	+0025	AC00603	lead free soldering bar	S100		
1	1	1	1	+0026	SB00284	transistor-RS	IRFB4020PBF(TO220AB)(IR)	Q6,Q7,Q8,Q9	
1	1	1	1	+0027	NC04098	insulator spacer-RS	0.13t*27.5*40mm(HI-FLOW-625)		stick on Q6, Q7/Q8, Q9
1	1	1	1	+0028	ND01210	cushion-RS	8t*45*10mm(E-4382)		stick on C13/C14
1	1	1	1	+0029	CB00436	electrolytic capacitor-RS	1000uF/63V LSR ϕ 16*25mm	C28,C31,C32,C64	

I	I	I	I	0030	CF00277	metal-film capacitor-RS	0.22uF/100V C242A224K2SC000(FARA)	C52,C53	
I	I	I	I	0031	CB00438	electrolytic capacitor-RS	470uF/25V LSR φ 8*20mm	C1,C2	
I	I	I	I	0032	CF00284	metal-film capacitor-RS	0.1uF/630V C822J104J60C000(FARA)	C26	
I	I	I	I	0033	RH00037	thermistor-RS-ACT	330Ω PTFLO4BG222Q2N34B0(MURATA)	PR200	
I	I	I	I	0034	CF00279	metal-film capacitor-RS	1.0uF/250V C322E105J60C000(FARA)	C50,C51	
I	I	I	I	0035	SB00369	Transistor-RS	FDP18N50(TO220)/FAIRCHILD	Q1,Q5	
I	I	I	I	0036	CN00359	inductance	5.0mH φ 0.7*30T	L3,L4	
I	I	I	I	0037	CG00126	X2 capacitor-RS	0.33uF/275V ±10%(C42P2334K6SC000)(FARA)	C9,C12	
I	I	I	I	0038	TC00585	Transistor	PT-DM 350W+175W(ER35)_230V	T1	
I	I	I	I	0039	NI07555	insulator	TT12 0.5t*9.5*9.3_V1.0		
I	I	I	I	0001	NI04630	film-RS-CT	450*605*0.5mm 0.184kg_V1.0		
I	I	I	I	0040	CG00130	X2 capacitor	0.47uF/305V 20%(C42Q2474M6HC000)(FARA)	C5	
I	I	I	I	0041	HA01919	jump	5mm	PR1,R110	
I	I	I	I	0001	HA02249	wire	φ 0.6 鍍錫		
I	I	I	I	0042	MI06323	heat-shassis	TS212 2t*40*100*206_V1.2		
I	I	I	I	0001	ME00221	iron pillar	M3*8*0.5PH_V1.1		
I	I	I	I	0002	MJ00055	AL plate-RS	2*2000*1000 10.88kg		
I	I	I	I	0043	CN00372	Inductance	22uH T94-2	L8,L9	
I	I	I	I	0044	HK18335	PC board	P-DM 300W+300W_AI		
I	I	I	I	0001	CB00112	electrolytic capacitor	10uF/35V 105°C φ 4*7mm 2.5mm	C95	
I	I	I	I	0002	CF00183	metal-film capacitor MSC	0.1uF/100V 5% CASE01	C79,C80	
I	I	I	I	0003	CB00188	electrolytic capacitor	10uF/63V φ 5*11mm 2.5mm	C37	
I	I	I	I	0004	CB00034	electrolytic capacitor	33uF/16V φ 5*11mm 2.5mm	C83,C84	
I	I	I	I	0005	CC00074	mylar capacitor-RS-ACT	0.01uF/100V 3%	C27	
I	I	I	I	0006	CA00131	ceramic capacitor-RS	0.01uF/1000V Z5U	C15,C16,C25	
I	I	I	I	0007	CB00409	electrolytic capacitor-RS	22uF/16V 105°C φ 5*11mm	C45,C46	
I	I	I	I	0008	CB00469	electrolytic capacitor-RS	100uF/16V LSR 105°C φ 5*11mm	C34,C35,C38,C3,C4	
I	I	I	I	0009	HK18333	PC board	P-DM 300W+300W_SMD		
I	I	I	I	0001	SF00083	transistor	MMBT5551LT1G(SOT23)(ON)	Q4	
I	I	I	I	0002	RD00298	SMD precise resistor 1/10W	47.0Ω ±1% 0603	R23	
I	I	I	I	0003	SE00012	SMD rectifier diode-RS	BAV103(PHI)	D15,D16,D22,D23	
I	I	I	I	0004	SG00122	SMD integrated circuit-RS-ACT	NJM4580M-TE3(DMP8)(JRC)	U5	
I	I	I	I	0005	SE00054	SMD L.E.D	yellow 19-21UYC/S530-A2/TR8	DS1,DS2	
I	I	I	I	0006	RD00327	SMD precise resistor 1/10W	8.20K Ω ±1% 0603	R75,R76	
I	I	I	I	0007	RD00355	SMD fixed resistor 1/10W	4.7Ω ±5% 0603	R79,R80	
I	I	I	I	0008	RD00214	SMD precise resistor 1/10W	10.0K Ω ±1% 0603	R10,R24,R25,R59,R60,R10 0,R30	
I	I	I	I	0009	RD00059	SMD fixed resistor 1/10W	0.0Ω ±5% 0603	R109	
I	I	I	I	0010	RD00209	SMD precise resistor 1/10W	4.99K Ω ±1% 0603	R73,R74	
I	I	I	I	0011	RD00224	SMD precise resistor 1/10W	100K Ω ±1% 0603	R9,R12,R13,R14,R26,R27	
I	I	I	I	0012	RD00460	SMD precise resistor 1/10W	560 Ω ±1% 0603	R64	
I	I	I	I	0013	RD00466	SMD precise resistor 1/4W	2.0K Ω ±1% 1206	R35,R36,R102,R103	
I	I	I	I	0014	RD00255	SMD precise resistor 1/4W	100K Ω ±1% 1206	R7,R8	
I	I	I	I	0015	RD00506	SMD precise resistor 1/10W	3.30K Ω ±1% 0603	R77,R78,C72	
I	I	I	I	0016	RD00512	SMD precise resistor 1/10W	180K Ω ±1% 0603	R92	
I	I	I	I	0017	RD00219	SMD precise resistor 1/10W	20.0K Ω ±1% 0603	R71,R72	
I	I	I	I	0018	RD00399	SMD precise resistor 1/4W	10.0K Ω ±1% 1206	R57,R58	
I	I	I	I	0019	RD00282	SMD precise resistor 1/10W	1.00K Ω ±1% 0603	R21,R39,R63,R91	
I	I	I	I	0020	RD00272	SMD precise resistor 1/10W	10.0Ω ±1% 0603	R45,R49,R50,R61,R62,R67 .R68,R81,R82,R83,R84	
I	I	I	I	0021	RD00274	SMD precise resistor 1/10W	100Ω ±1% 0603	R69,R70	
I	I	I	I	0022	RD00414	SMD precise resistor 1/10W	3.90K Ω ±1% 0603	R28,R22	
I	I	I	I	0023	RD00385	SMD precise resistor 1/10W	3.01K Ω ±1% 0603	R47,R48	
I	I	I	I	0024	RD00415	SMD precise resistor 1/10W	4.70K Ω ±1% 0603	R85,R86	
I	I	I	I	0025	RD00400	SMD fixed resistor 1/4W	220 Ω ±5% 1206	R1,R17	
I	I	I	I	0026	RD00525	SMD precise resistor 1/10W	33.0K Ω ±1% 0603	R55,R56	
I	I	I	I	0027	RD00303	SMD precise resistor 1/10W	57.6K Ω ±1% 0603	R33,R34	
I	I	I	I	0028	RD00200	SMD precise resistor 1/10W	150 Ω ±1% 0603	R46	
I	I	I	I	0029	CI00096	SMD ceramic capacitor 0603	560PF/50V NPO ±5%	C20	
I	I	I	I	0030	CI00145	SMD ceramic capacitor 0805	0.0015uF/50V X7R ±10%	C60,C61,C62,C63,C67,C68	
I	I	I	I	0031	CI00154	SMD ceramic capacitor 1206	0.1uF/100V X7R ±10%	C33,C69	
I	I	I	I	0032	CI00185	SMD ceramic capacitor 0603	0.1uF/50V X7R±10%(C1608X7R1H104KT)/TDK	C29,C30,C56,C57,C81,C82 .C91,C92,C93,C94,C19	
I	I	I	I	0033	CI00179	SMD ceramic capacitor 0603	0.22uF/25V X7R±10%(C1608X7R1E224KT)/TDK	C44	
I	I	I	I	0034	CI00195	SMD ceramic capacitor 1206	4.7uF/25V Y5V (GRM31CB11E475ZA01D)	C63,C66,C70,C71,C83,C80 C87,C88,C96,C94	
I	I	I	I	0035	CI00206	SMD ceramic capacitor 0603	0.047uF/50V ±10%(C1608X7R1H473KT)/TDK	C18,C49	
I	I	I	I	0036	CI00201	SMD ceramic capacitor 0603	0.01uF/50V ±10%(C1608X7R1H103KT)/TDK	C58,C59	
I	I	I	I	0037	CI00051	SMD ceramic capacitor 0603	22PF/50V C0G±5%(C1608C0G1H220JT)/TDK	C43	
I	I	I	I	0038	CI00220	SMD ceramic capacitor 0603	220PF/50V C0G ±5%(C1608C0G1H221JT)/TDK	C39,C42	
I	I	I	I	0039	SF00082	transistor-RS-ACT	MMBT5401LT1G(SOT23)(ON)	Q3	
I	I	I	I	0040	RD00541	SMD precise resistance 1/10W	0Ω ±1% 0603		350W+175W
I	I	I	I	0041	RD00596	SMD precise resistor-RS 1/4W	10.0Ω ±1% 1206	R37,R38,R96,R99	
I	I	I	I	0042	CI00269	SMD ceramic capacitor-RS 1206	1.0uF/25V X7R ±10%	C23,C41	
I	I	I	I	0043	SE00089	SMD zener diode-RS	1/2W 5.1V(MMSZ5231B)(SOD-123)/(PANJIT)	D5,D19	
I	I	I	I	0044	RD00636	SMD precise resistor-RS 1/4W	47.0K Ω ±1% 1206	R18,R52	
I	I	I	I	0045	SE00098	SMD zener diode-RS-C	1W 15V DL4744A MELF/(SI)	D14	
I	I	I	I	0046	SG00495	SMD integrated circuit-RS	IR2156SPBF(SO14)(IR)	U3	
I	I	I	I	0047	CI00279	SMD ceramic capacitor-RS 1206	0.0022uF/200Vx7R±10%	R94	
I	I	I	I	0048	CI00306	SMD ceramic capacitor-RS	1.0uF/25V X7R ±10%	C21,C22	
I	I	I	I	0049	AE00553	SenJu solder paste	M705-GRN360-K2-V 0.5KG/bottle		
I	I	I	I	0050	RD00697	SMD precise resistor-RS	390.0 Ω ±1% 0603	R51	
I	I	I	I	0051	SE00133	SMD zener diode-RS	225mW 12V BZX84C12LT1G(SOT23)	D18	
I	I	I	I	0052	SE00134	SMD rectifier diode-RS-ACT	1A 600V MURS160T3G (SMB)/(ON)	D13	
I	I	I	I	0053	SG00667	SMD integrated circuit-RS	IRS2092S(SOIC16N)(IR)	U7,U8	
I	I	I	I	0054	CI00328	SMD ceramic capacitor-RS 1206	150PF/630V COG ±5%(C3216COG32151J)/TDK	C47,C48	
I	I	I	I	0055	SE00149	SMD double-direct triy diode-RS	1A/30V RB160M-30(ROHM)	D3,D4	

1	1	1	1	+0056	RD00818	SMD fixed resistor 2W	2.2K Ω \pm 5% 2512	R43,R44	
1	1	1	1	+0057	RD00800	SMD precise resistor 1/8W	10.0 Ω \pm 1% 0805	R112,R113,R114,R115	
1	1	1	1	+0058	SG00729	SMD integrated circuit-RS-ACT	MC78M12CDTRKG(DPAK-3)(ON)	U4	
1	1	1	1	+0059	SE00156	SMD diode-RS-ACT	1A/200V ES1D(SMA)(FAIRCHILD)	D1,D2,D20,D21,D28	
1	1	1	1	+0060	CI00356	SMD ceramic capacitor 1206	0.1uF/250V X7R \pm 10%(GRM31CR72E104KW03L)	C73,C74,C75,C76,C77,C78 R104,R105,R106,R107	
1	1	1	1	+0061	SE00161	SMD diode-RS	2A/200V ER2D 35nS(DO214AA)(PANJIT)	D29,D30,D31,D32,D33,D34 D35,D36	
1	1	1	1	+0062	CO00168	SMD inductance-RS-ACT	1000 Ω \pm 25%(BLM18RK102SN1D)	L6,L7,L10,L11,L14,L15,L16 L17,L13	
1	1	1	1	+0063	CI00366	SMD ceramic capacitor 0805	220PF/250V COG \pm 5%	C100,C101,C102,C103	
1	1	1	1	+0064	CI00387	SMD ceramic capacitor-RS	0.0022uF/250V X7R \pm 10%	C54,C55	
1	1	1	1	+0065	SE00177	SMD rectifier diode-RS	0.5A LL4148(SOD-80)(VISHAY)	D10,D11,D24,D25,D26,D27	
1	1	1	1	+0066	SE00189	SMD diode-RS-ACT	8A/200V STTH802B-TR (DPAK)(ST)	BD1,BD2,BD3,BD4	
1	1	1	1	+0067	RD00945	SMD resistance 1/4W	1.0 Ω \pm 1% 1206	R87,R88	
1	1	1	1	+0068	RD00957	SMD precise resistor 1/10W	4.3K Ω \pm 1% 0603	R31,R32	
1	1	1	1	+0069	RD00293	SMD precise resistor 1/10W	17.4K Ω \pm 1% 0603	R29	
1	1	1	1	+0070	RD01001	SMD precise resistance 1/10W	24K Ω \pm 1% 0603	R53,R54	
1	1	1	1	+0071	HB04061	PCB	DM 400W+200W_VER150720		
1	1	1	1	+0072	SB00379	Photodiode	LTV-817S-TA1-C(LITEON)/	U6	
1	1	1	1	+0073	RD00123	SMD fixed resistor 1/10W	470K Ω \pm 5% 0603	R2,R3,R4,R5	
1	1			+0045	MC01371	top cover	TS212 1.5t*19.5*95.6*163_V1.0		
1	1			+0001	MJ00069	iron board	1.5*2135*1220 30.67kg		
1	1			+0046	MG00269	screw-RS	M3*6		fix the top cover
1				+0020	NI00218	cable tie	ALT-102SB		
1				+0021	ND01444	EV foam	0.5t*650*3mm_V1.0		pasted on the sealed box
1				+0022	MA11189	panel	TS215S ALTO CHINA_V1.1		
1				+0001	MA11187	panel	TS 212 SUB 2t*235*268		
1	1			+0001	AE00055	solvent	solvent		
1	1			+0002	AE00201	.	5041		
1	1			+0003	MA11186	panel	TS 212 SUB 2t*235*268_V1.1		
1	1			+0001	ME00001	screw pillar-RS	M4*10*0.7PH_V1.0		
1	1			+0002	ME00319	iron pillar-RS-CT	6.35*M3*26.5_V1.0		
1	1			+0003	ME00038	iron pillar	6.35*M3*8.4_V1.3		
1	1			+0004	MJ01580	single light board-RS	2.0t*1850*1250mm 36kg		
1				+0023	NI07837	fixed bracket	TS 212 SUB 81*187.5*24.5_V1.0		
1				+0024	NI02527	knob-RS	\varnothing 14*13mm_V1.3		
1				+0025	HA06363	header wiring	7P-7P 200mm UL1007 26AWG		
1				+0026	NC04781	Insulator	\varnothing 7.5_ES503_DB		stick to AC Jack
1				+0021	HA00861	power cord Europe 3P	LT-312-LT-501		
1				+0022	NI02590	cable tie	YJ-203V0 UL94V-0		fix the speaker wire*1
1				+0023	NF04684	user manual	TS2 SUB ALTO_V1.0		
1				+0001	NH00231	paper	889*554mm		
1				+0024	NI00218	cable tie	ALT-102SB		LED wire*1
1				+0025	ND01485	sponge	1t*15*13.7 black_V1.0		pasted on the LED support*1
1				+0026	NB08875	carton	TS215S ALTO_V1.0		
1				+0027	NE27160	lable	TS215S_V1.0		stick to the right corner of grille
1				+0028	NI07857	3M VHB	1t*31.3*26.4 (3M 4952)_V1.0		stick to the back*2
1				+0029	NI07836	mark	TS 212 SUB 30.35*11.03*90.22_V1.0		
1				+0030	MD02088	iron net	TS215SUB 1.2t*76.7*545.3*491_V1.0		
1				+0031	HA06368	wire	4P 280mm UL1007 18AWG		
1				+0001	HA06369	wire	4P 280mm UL1007 18AWG		
1				+0002	CN00283	high frequency magnetism encircle-RS	\varnothing 16*16 (742700752)/WURTH ELEKTRONIK		
1				+0032	NE26801	label	NUMARK SERIES_V1.0		pasted to the PE bags
1				+0001	NI02598	membrane	125mm		
1				+0002	NI00068	Scotch tape	0.16*1M		

Rank	Part No	Description	Specification	Insert Location	Remark
PC03022	PC03022	SPEAKER	TS218S_ALTO_110V-120V_CHINA_(NUMARK)		
+0001	NC05055	box	TS218S_V1.2		
-0001	NI02426	foot cushion	φ 37*15.5mm PGHA1022ZA/J1_P_A		
-0002	MI02042	handle-RS	220*163.5*63mm_V1.0		
-0003	ME00082	nut-RS	M5*0.8PH*10.6_V1.2		Lock the woofer
-0004	ME00083	nut	M6*1.0PH*11.6_V1.2		Lock the pole mount
-0005	ME00085	nut	M4*0.7PH*9.3_V1.2		Lock the handles on two sides
-0006	MG00034	screw	M4*16		Lock the handle*12
-0007	MG00338	screw-RS	M4*30mm		Lock the handle*8
+0008	MG00670	SCREW-RS	M6*40		Lock the pole mount*4
-0009	ND00242	EV foam	43*47.5*1.5mm		stick to the handles on two sides
-0010	ND00634	EV foam-RS	2.0t*300*15mm black_V1.0		stick to the pole mount
-0011	ND00635	EV foam-RS	2.0t*700*15mm black_V1.0		stick to the handles
-0012	MG00751	screw-RS	M4*20MM		lock the feet*4
-0013	MH01704	handle-RS	ELVIS φ 110*96_V1.3		
-0014	NH00784	Tube	TS218S φ 148* φ 156*400_V1.0		used for the cabinet*2
-0015	NC05074	top cover	TS 218S 628*523.3*18mm_V1.0		
-0001	NC03657	Plywood-RS-CARB	2440*1220*18t		
-0016	NC05075	chassis	TS 218S 628*523.3*18mm_V1.0		
-0001	NC03657	Plywood-RS-CARB	2440*1220*18t		
-0017	NC05076	side cover board	TS 218S 641*561*18mm left_V1.0		
-0001	NC03657	Plywood-RS-CARB	2440*1220*18t		
-0018	NC05077	side cover board	TS 218S 641*561*18mm right_V1.0		
-0001	NC03657	Plywood-RS-CARB	2440*1220*18t		
+0019	NC05078	front board	TS 218S 641*495*18mm_V1.0		
-0001	NC03657	Plywood-RS-CARB	2440*1220*18t		
+0020	NC05079	rear board	TS 218S 641*386*18mm_V1.0		
-0001	NC03657	Plywood-RS-CARB	2440*1220*18t		
-0021	NC05063	rear board	TS 212S 277.5*310.5*18mm_V1.0		
-0001	NC03657	Plywood-RS-CARB	2440*1220*18t		
-0022	NC05080	barrier	TS 218S 500*110*15mm_V1.0		
-0001	NC03656	Plywood-RS-CARB	2440*1220*15t		
+0023	NC05081	billet	TS 218S478.6*85*15mm_V1.0		
-0001	NC03656	Plywood-RS-CARB	2440*1220*15t		
+0024	AE00684	Paint	LTS-6072 25KG/Pail		
-0025	AE00686	Paint	LTS-6071B 10KG/Pail		
-0026	AE00687	Paint	DTS-1202-1 20KG/Pail		
+0027	AE00688	Paint	DTS-1021A-1 20KG/Pail		
-0028	AE00689	Paint	DTS-1021B 10KG/Pail		
+0029	AE00692	Paint	PU-010-4 170KG/Pail		
-0030	AE00693	Paint	MTS-2209 20KG/Pail		
-0031	AE00694	Paint	LTS-6070B-1 10KG/Pail		
-0032	ND01273	absorb sound sponge-RS	470*360*30t 500g/mi UL 437010153_V1.0		
-0033	ND01552	Absorb sound sponge-RS	TS218S 1250*450*30t 500g/mi UL_V1.0		
+0002	HK18346	speaker	18inch 600W 8Ω(TS218S)		
-0001	NH00413	caushion-RS	10*15.5 EVA black_V1.3		
-0002	NH00414	dust-proof shade-RS-ACT	φ 139*17_V1.0		
-0003	ND01380	wind-proof sponge-RS	φ 34*30H 20_V1.0		
-0004	MH01986	magnet-RS	φ 180*95*20 Y30_V1.0		
+0005	MI05996	bracket-RS	φ 459.8*105*155.2 P:128_V1.0		
-0006	MG00263	screw	M5*8		Lock the washer and bracket*4
-0007	HC00882	terminal-RS	6.3#+6.3#3.5*3.5_V1.0		
-0008	HA04554	line-RS	TA2J7Y18H2KA33/42WB*2*180mm		
-0001	HA04553	line-RS	TA2J7Y18H2KA33/42WB*1M		
+0009	NH00415	cone-RS	φ 440* φ 76.5*120_V1.1		
-0010	ND00693	damper-RS	φ 191* φ 75.8*16 0.4/100g TC:D-1940B		
-0011	MH02767	T type middle pillar	φ 165*74.25*31.5*8 φ 30		
-0012	MH02464	iron coil-RS	φ 175*78.5*10 P:128 TL:W175-50_V1.0		
-0013	NE27055	label	HK18346_V1.0		
-0001	NI00015	membrane	0.04*1M		
-0002	NH00012	bond paper	0.04*1M		
-0014	MF00020	washer	φ 5* φ 12*1t		
-0015	HG00595	voice coil	TTL/4L φ 74.88*56*5.2 Ω*0.27 22.2 EI		
-0003	NI07835	net	TS218S 5t*625*551.4_V1.0		stick to the back of grille*1
+0004	HA06358	wire	550mm UL1015 18AWG+Capacitance		speaker wire*1
-0001	CF00245	metal-film capacitor-RS	0.0022uF/400V 5% ESK400D22JA		
-0002	HA06357	wire	550mm UL1015 18AWG		
+0005	ND00665	EV foam-RS	950*15*2.0mm black_V1.0		stick to the AMP
+0006	ND00633	EV foam-RS	1.0t*1500*15mm black_V1.0		pasted on the two sides of grille
-0007	ND00701	EV FOAM	1370*15*2.0mm		pasted on the woofer
+0008	MG01030	Screw-RS	M3*20		lock the grille*8
+0009	MG00350	screw-RS	M5*30		lock the woofer*8
+0010	MG00351	screw-RS	M4*16		fix the amp and cabinet*8
+0011	HA00841	power cord(America 3P)	LT-202+18A*3C(SVT) 6FT+LT-501		
+0012	HK17710	PC board	P-TS212 Logo LED-DIP		to fix the logo
-0001	HK17709	PC board	P-TS210 LED-SMD		
-0001	HB04153	PCB-RS	TS212 LOGO LED (4*)_VER150908		
-0002	SE00270	SMD L.E.D	blue MS-PTB414SUBC	LED1	
-0003	AE00553	SenJu solder paste	M705-GRN360-K2-V 0.5KG/bottle		
-0002	HC00253	connector(male)	2P 2.0mm 180°	CN1	
-0003	AC00603	lead free soldering bar	S100		
+0013	NI07597	LED lens	TS212 16.69*10.32*8.15_V1.1		
+0014	HA04308	header wiring	2P-2P 700mm UL1007 26AWG red/white		connect the LED of logo
+0015	NA00923	PE bag-RS	0.035t*1300*1500mm12 hole		speaker*1, guarantee*1, carton*2
+0016	NA00858	PE bag-RS	0.04t*240*160mm_V1.0		pack the user manual and guarantee

+	0017	NA01719	sponge barrier	TS218S_V1.0				
+	0018	NE27063	label	TS218S_V1.0		Inside and outside*1 , carton *1, user manual*1		
+	0019	NE27071	label	TS218S_V1.0		speaker*1		
	-0001	NI00015	membrane	0.04*1M				
	-0002	NH00012	bond paper	0.04*1M				
+	0020	NF03534	assurance card-RS	ALTO PROFESSIONAL_V2.0				
+	0021	HK18376	Faceplate	TS218S_ALTO_110-120V_CHINA_(NUMARK)		fixed to the back of the cabinet		
	+0001	HA01271	signal terminal wiring	60 (PC250,PC187)		SW TO AC Jack		
	-0002	HA01287	wire-RS	60mm UL1015 18AWG blue		SW TO AC Jack		
	-0003	HA03186	wire	100mm UL1015 14AWG		GND		
	-0004	HA04141	wire	100mm UL1015 18AWG blue		AC SW to AC Jack		
	-0005	HA04143	wire	100mm UL1015 18AWG brown		AC SW to AC Jack		
	+0006	HC00331	AC socket	RF-2004				
	-0007	HD00018	glass tube fuse	6.3A 250V ϕ 5.2*20mm CCEE/CSA/S/UL/VDE				
	-0008	HI00475	power switch-RS	2*2P RF-1003-BBA8E2X1T				
	-0009	ME00016	color nut	4m/m		GND		
	-0010	MF00014	washer	ϕ 3* ϕ 6.5*0.5t		AMP*6		
	+0011	MF00038	washer-RS	ϕ 4* ϕ 7*1t		GND		
	-0012	MF00048	washer-RS	ϕ 4* ϕ 8*0.5t		GND		
	-0013	MG00061	screw-RS	M3*10(加硬處理)		MIC*8, sealed box*16		
	+0014	MG00162	screw	M3*8		AMP*6		
	-0015	MG00163	screw	M3*8		fix the soldering tag*1, PRE GND*1		
	+0016	NI01862	key	5.5*5.5*14.5_V1.1				
	-0017	NI06123	key	9.2*9.2*7.3(3.3*3.3)_V1.0				
	-0018	HK18369	PC board	P-TS218 SUB-PRE-DIP				
	+	0001	HC00253	connector(male)	2P 2.0mm 180°	CN4		
	+	0002	HC00392	balance MIC jack-RS	JY-5030-030G 180°	JK1,JK2		
	+	0003	HC01212	balance MIC jack-RS	K6X01V-6-3A	J1,J2		
	+	0004	HI00162	push-button switch	2 paragraphs 6p PS-22E8552L	SW2,SW3		
	+	0005	HI00163	push-button switch	2 stage 12P PS-42E85	SW1		
	+	0006	NI02532	LED spacer support	LEDS-22 22mm			
	+	0007	RC01034	Potentiometer-RS	30A103-Q1-FA265B120-10K L26.5FCx12	VR1		
	+	0008	SA00051	L.E.D	ϕ 3 orange,green 28/30/32mm	DL5		
	+	0009	SA00052	L.E.D	ϕ 3 round(green)long foot 26	DL1,DL2		
	+	0010	SA00053	L.E.D	ϕ 3 round(red)long foot 26mm	DL4		
	+	0011	SA00054	L.E.D	3m/m round(yellow)long foot 26	DL3		
	+	0012	AC00603	lead free soldering bar	S100			
	+	0013	HK18373	PC board	P-TS218 SUB-PRE-AI			
		+	0001	CB00192	electrolytic capacitor	10uF/16V ϕ 4*7mm	C1,C2,C3,C6,C7,C35,C36,C37,C38,C42,C70	
		+	0002	CB00193	electrolytic capacitor	47uF/16V ϕ 6*7mm	C51,C52,C53	
		+	0003	CB00251	electrolytic capacitor	220UF/25V ϕ 8*11mm	C103,C104	
		+	0004	CB00262	electrolytic capacitor	47uF/16V NP ϕ 6.3*11mm	C100	
		+	0005	HK18371	PC board	P-TS218 SUB-PRE-SMD		
			+	0001	RD00059	SMD fixed resistor 1/10W	0.0 Ω \pm 5% 0603	C56,C57,R111,R112,TS218
			+	0002	RD00075	SMD fixed resistor 1/10W	300 Ω \pm 5% 0603	R44,R45,R46,R47
			+	0003	RD00135	SMD fixed resistor 1/4W	330 Ω \pm 5% 1206	R134
			+	0004	RD00203	SMD precise resistor 1/10W	2.00K Ω \pm 1% 0603	R81,R82,R83,R84
			+	0005	RD00209	SMD precise resistor 1/10W	4.99K Ω \pm 1% 0603	R38,R39,R96,R98
			+	0006	RD00204	SMD precise resistor 1/10W	2.49K Ω \pm 1% 0603	R97
			+	0007	RD00210	SMD precise resistor 1/10W	5.11K Ω \pm 1% 0603	R114,R115
			+	0008	RD00214	SMD precise resistor 1/10W	10.0K Ω \pm 1% 0603	R1,R2,R3,R4,R5,R8,R9,R36,R37,R40,R41,R42,R43,R102,R103,R104,R105,R106,R10,R11,R75,R76,R16,R17,R19,R130,R57,R59,R60,R61,R62,R63,R64,R65,R66,R67,R86,R87,R88,R89
			+	0009	RD00302	SMD precise resistor 1/10W	28.0K Ω \pm 1% 0603	R6,R7
			+	0010	RD00215	SMD precise resistor 1/10W	13.0K Ω \pm 1% 0603	R137,R138
			+	0011	RD00216	SMD precise resistor 1/10W	13.3K Ω \pm 1% 0603	R80
			+	0012	RD00219	SMD precise resistor 1/10W	20.0K Ω \pm 1% 0603	R107,R108
			+	0013	RD00224	SMD precise resistor 1/10W	100K Ω \pm 1% 0603	R121
			+	0014	RD00272	SMD precise resistor 1/10W	10.0 Ω \pm 1% 0603	R85
			+	0015	RD00282	SMD precise resistor 1/10W	1.00K Ω \pm 1% 0603	R118,R133
			+	0016	RD00289	SMD precise resistor 1/10W	8.06K Ω \pm 1% 0603	R12,R13
			+	0017	RD00290	SMD precise resistor 1/10W	47.5K Ω \pm 1% 0603	R48,R49,R50,R51
			+	0018	RD00293	SMD precise resistor 1/10W	17.4K Ω \pm 1% 0603	R109
			+	0019	RD00300	SMD precise resistor 1/10W	6.04K Ω \pm 1% 0603	R55
			+	0020	RD00328	SMD precise resistor 1/10W	8.66K Ω \pm 1% 0603	R72,R110
			+	0021	RD00330	SMD precise resistor 1/10W	39.0K Ω \pm 1% 0603	R129
			+	0022	RD00334	SMD precise resistor 1/10W	11.0K Ω \pm 1% 0603	R94,R120
			+	0023	RD00339	SMD precise resistor 1/10W	47.0K Ω \pm 1% 0603	R22,R23,R24,R25,R26,R28,R30,R31,R33,R34,R35
			+	0024	RD00344	SMD precise resistor 1/10W	11.5K Ω \pm 1% 0603	R95,R117
			+	0025	RD00362	SMD precise resistor 1/10W	953 Ω \pm 1% 0603	R32
			+	0026	RD00363	SMD precise resistor 1/10W	3.16K Ω \pm 1% 0603	R52
			+	0027	RD00367	SMD precise resistor 1/10W	15.4K Ω \pm 1% 0603	R122
			+	0028	RD00368	SMD precise resistor 1/10W	16.5K Ω \pm 1% 0603	R54
			+	0029	RD00371	SMD precise resistor 1/10W	51.1K Ω \pm 1% 0603	R53
			+	0030	RD00386	SMD precise resistor 1/10W	4.75K Ω \pm 1% 0603	R90
			+	0031	RD00415	SMD precise resistor 1/10W	4.70K Ω \pm 1% 0603	R125,R126,R131
			+	0032	RD00457	SMD precise resistor 1/10W	150K Ω \pm 1% 0603	R101
			+	0033	RD00497	SMD precise resistor 1/10W	36.5K Ω \pm 1% 0603	R92
			+	0034	RD00544	SMD precise resistance 1/10W	22 Ω \pm 1% 0603	R127
			+	0035	RD00545	SMD precise resistance 1/10W	49.9 Ω \pm 1% 0603	R99,R100
			+	0036	RD00550	SMD precise resistor 1/10W	27.0K Ω \pm 1% 0603	R132

1	1	1	1	+0037	RD00709	SMD precise resistor-RS	1.37K Ω \pm 1% 0603	R128	
1	1	1	1	+0038	RD00721	SMD fixed resistor-RS 1/10W	22.1K Ω \pm 1% 0603	R124	
1	1	1	1	+0039	RD00856	SMD fixed resistor-RS 1/10W	23.2K Ω \pm 1% 0603	R77	
1	1	1	1	+0040	RD00859	SMD fixed resistor-RS 1/10W	9.09K Ω \pm 1% 0603	R116	
1	1	1	1	+0041	RD00870	SMD precise resistor-RS 1/10W	10.2K Ω \pm 1% 0603	R78	
1	1	1	1	+0042	RD00894	SMD fixed resistor-RS 1/10W	46.4K Ω \pm 1% 0603	R20,R27	
1	1	1	1	+0043	RD00928	SMD precise resistor 1/10W	22.0K Ω \pm 1%0603	R123	
1	1	1	1	+0044	RD00959	SMD precise resistor 1/10W	16.90K Ω \pm 1% 0603	R93	
1	1	1	1	+0045	RD00967	SMD resistance 1/8W	6.98K Ω \pm 1% 0805	R14,R15	
1	1	1	1	+0046	RD01038	SMD fixed resistor-RS 1/10W	40.2K Ω \pm 1% 0603	R21,R29	
1	1	1	1	+0047	RD01040	SMD fixed resistor-RS 1/10W	16.2K Ω \pm 1% 0603	R79	
1	1	1	1	+0048	RD01115	SMD precise resistor 1/16W	3.0K Ω \pm 1% 0603	R113	
1	1	1	1	+0049	CI00051	SMD ceramic capacitor 0603	22PF/50V COG \pm 5%(C1608COG1H220JT)/TDK	C8,C9,C10,C11,C12,C13,C22,C23,C24,C25,C26,C27,C28,C29,C30,C31,C32,C33,C34,C43,C44	
1	1	1	1	+0050	CI00055	SMD ceramic capacitor 0603	47PF/50V COG \pm 5%(C1608COG1H470JT)/TDK	C54,C62	
1	1	1	1	+0051	CI00175	SMD ceramic capacitor 0603	1.0uF/16V X7R \pm 10%(C1608X7R1C105KT)/TDK	C101	
1	1	1	1	+0052	CI00179	SMD ceramic capacitor 0603	0.22uF/25V X7R \pm 10%(C1608X7R1E224KT)/TDK	C40,C41,C49,C50,C61,C80	
1	1	1	1	+0053	CI00185	SMD ceramic capacitor 0603	0.1uF/50V X7R \pm 10%(C1608X7R1H104KT)/TDK	C69,C71,C72,C73,C74,C75,C76,C77,C78,C81,C82,C83,C84,C85,C86,C87,C88,C89,C90,C91,C92,C93,C94,C95,C96,C111,C112,C113,C114,C115,C116,C117,C118,C119,C120,C121,C122,C123,C124,C125,C126,C127,C128,C66,C98,C99	
1	1	1	1	+0054	CI00202	SMD ceramic capacitor 0603	0.015uF/50V \pm 10%(C1608X7R1H153KT)/TDK	C60	
1	1	1	1	+0055	CI00207	SMD ceramic capacitor 0603	0.056uF/50V \pm 10%(C1608X7R1H563KT)/TDK	C59	
1	1	1	1	+0056	CI00209	SMD ceramic capacitor 0603	0.082uF/50V \pm 10%(C1608X7R1H823KT)/TDK	C63,C64	
1	1	1	1	+0057	CI00211	SMD ceramic capacitor 0603	0.15uF/25V X7R \pm 10%(C1608X7R1E154KT)/TDK	C55	
1	1	1	1	+0058	CI00220	SMD ceramic capacitor 0603	220PF/50V COG \pm 5%(C1608COG1H221JT)/TDK	C65	
1	1	1	1	+0059	CI00224	SMD ceramic capacitor 0603	470PF/50V COG \pm 5%(C1608COG1H471JT)/TDK	C102	
1	1	1	1	+0060	CI00330	SMD ceramic capacitor-RS 0805	10uF/16V \pm 10%(GRM21BB31C106K)(MURATA)	C4,C5	
1	1	1	1	+0061	CI00349	SMD ceramic capacitor 0805	4.7uF/25V X5R \pm 10%	C47,C48,C97	
1	1	1	1	+0062	CI00404	SMD ceramic capacitor-RS-ACT 0603	0.47uF/16V (GRM188B31C474KA87D)(Murata)	C67,C68,C79	
1	1	1	1	+0063	CO00168	SMD inductance-RS-ACT	1000 Ω \pm 25%(BLM18RK102SN1D)	L1,L2,L3,L4,R135,R136	
1	1	1	1	+0064	SF00038	transistor	RK7002(ROHM)	TR1	
1	1	1	1	+0065	SF00053	transistor	MMBT3906(SOT23)(PHI)	TR2	
1	1	1	1	+0066	SG00033	SMD integrated circuit	LM358DT(SO8)(ST)	U18	
1	1	1	1	+0067	SG00122	SMD integrated circuit-RS-ACT	NJM4580M-TE3(DMP8)(JRC)	U1,U2,U3,U4,U5,U6,U7,U8,U10,U11,U12,U15,U16,U9,U13,U19	
1	1	1	1	+0068	SG00194	SMD integrated circuit	NJM13600M-TE1(DMP16)(JRC)	U14	
1	1	1	1	+0069	SG00306	SMD integrated circuit	LM393DR(TI)(MEXICO)	U17,U20	
1	1	1	1	+0070	AE00553	SenJu solder paste	M705-GRN360-K2-V 0.5KG/bottle		
1	1	1	1	+0071	SE00177	SMD rectifier diode-RS	0.5A LL4148(SOD-80)(VISHAY)	D2,D3,D4	
1	1	1	1	+0072	SE00155	SMD Schottky barrier diode-RS-ACT	BAT 64-04(SOT-23)(INFINEON)	D1	
1	1	1	1	+0073	SE00243	SMD zener diode-RS	1/2W 12V MMSZ5242A(SOD123)/PANJIT	ZD1,ZD2,ZD3,ZD4,ZD5,ZD6,ZD7,ZD8	
1	1	1	1	+0074	RD01167	SMD precise resistor 1/10W	127K Ω \pm 1% 0603	R56	
1	1	1	1	+0075	HB04398	PCB	TS2 SUB PRE(1*2)_VER160525		
1	1	1	1	+0006	CF00155	metal-film capacitor MSC	0.22uF/63V 5% CASE02	C39	
1	1	1	1	+0007	CF00191	metal-film capacitor MSC	0.33uF/63V 5% CASE02	C58	
1	1	1	1	+0008	CF00183	metal-film capacitor MSC	0.1uF/100V 5% CASE01	C14,C15,C16,C17,C18,C19,C20,C21,C129,C130	
1	1	1	1	+0009	CB00038	electrolytic capacitor	47uF/16V ϕ 5*7mm	R58	
1	1	1	1	+0014	HCO0258	connector(male)	7P 2.0mm 180°	CN3	
1	1	1	1	+0019	HK18332	PC board	P-DM 300W+300W_DIP		
1	1	1	1	+0001	RA00031	metal-oxide-film resistor 2W	10 Ω P type	R41,R42	
1	1	1	1	+0002	RA00051	metal-oxide-film resistor 2W	5.6 Ω	R65,R66	
1	1	1	1	+0003	NI00268	sleeve	ϕ 6*20mm PGNS1008ZA/J1_P_C	R40	
1	1	1	1	+0001	NI00266	sleeve	ϕ 6*1000mm		
1	1	1	1	+0004	MG00162	screw	M3*8		AMP*9
1	1	1	1	+0005	MG00566	screw	M3*10*0.5PH_V1.0		IC*2+shrapnel*9
1	1	1	1	+0006	HCO0088	connector(male)	2P 3.9mm 180°(#3921)	J3	
1	1	1	1	+0007	HCO0174	connector(male)	4P 3.96mm 180°	J5	
1	1	1	1	+0008	HCO0258	connector(male)	7P 2.0mm 180°	J4	insert near L16
1	1	1	1	+0009	HA01933	jump	2.5mm	BRI	
1	1	1	1	+0010	HCO0324	connect terminal	6.5mm (PC250)	J1,J2	
1	1	1	1	+0011	CB00151	electrolytic capacitor	220uF/63V ϕ 10*16mm	C98,C99	
1	1	1	1	+0012	CN00069	inductance-EMI SUPPRESSOR-RS-ACT	TB36-13-850485	L1,L2,L5,L12	
1	1	1	1	+0013	CG00023	X1/Y1 capacitor	0.002uF/250VAC Y5U	C6,C7,C8,C10,C11	
1	1	1	1	+0014	MK00103	spring piece	0.5*22.67*6.5*42.5_V1.0		Lock MOS TUBE
1	1	1	1	+0015	CB00295	electrolytic capacitor	820uF/180V ϕ 25*35	C13,C14	
1	1	1	1	+0016	NI04253	sleeve-RS	ϕ 28*50M T-2		MK00103
1	1	1	1	+0017	SD00317	integrated circuit	NJM7912FA(TO220F)(JRC)	U2	
1	1	1	1	+0018	ME00226	screw-RS	M3*0.5PH		IC*2+shrapnel*9
1	1	1	1	+0019	SA00316	bridge rectifier-RS	8A GBU-8K(PANJIT)	D12	
1	1	1	1	+0020	NC01179	insulator spacer-RS	0.13*40mm*55mm(HI-FLOW-625)		stick on Q1, Q5
1	1	1	1	+0021	CB00335	electrolytic capacitor-RS	1000uF/16V ϕ 8*20mm	C89,C90	
1	1	1	1	+0022	RA01063	metal-oxide-film resistor 3W	0.1 Ω \pm 2% P type	R40	
1	1	1	1	+0023	RH00033	thermistor-RS-CT	5 Ω B57235S-0509M000(EPCOS)	R6	
1	1	1	1	+0024	SD00380	integrated circuit-RS	NJM7812FA(TO220F)(JRC)	U1	
1	1	1	1	+0025	AC00603	lead free soldering bar	S100		
1	1	1	1	+0026	SB00284	transistor-RS	IRFB4020PBF(TO220AB)(IR)	Q6,Q7,Q8,Q9	
1	1	1	1	+0027	NC04098	insulator spacer-RS	0.13*27.5*40mm(HI-FLOW-625)		stick on Q6, Q7/Q8, Q9

1	1	-0028	ND01210	cushion-RS	8t*45*10mm(E-4382)		stick on C13/C14
1	1	-0029	CB00436	electrolytic capacitor-RS	1000uF/63V LSR ϕ 16*25mm		C28,C31,C32,C64
1	1	-0030	CF00277	metal-film capacitor-RS	0.22uF/100V C242A224K2SC000(Fara)		C52,C53
1	1	-0031	CB00438	electrolytic capacitor-RS	470uF/25V LSR ϕ 8*20mm		C1,C2
1	1	-0032	CF00284	metal-film capacitor-RS	0.1uF/630V C8221104160C000(Fara)		C26
1	1	-0033	RH00037	thermistor-RS-ACT	330 Ω PTFLO4BG222Q2N34B0(MURATA)		PR200
1	1	-0034	CF00279	metal-film capacitor-RS	1.0uF/250V C322E105160C000(Fara)		C50,C51
1	1	-0035	SB00369	Transistor-RS	FDP18N50(TO220)/FAIRCHILD		Q1,Q5
1	1	-0036	CN00359	inductance	5.0mH ϕ 0.7*30T		L3,L4
1	1	-0037	CG00126	X2 capacitor-RS	0.33uF/275V \pm 10%(C42P2334K6SC000)(FARA)		C9,C12
1	1	-0038	TC00585	Transistor	PT-DM 350W+175W(ER35)_230V		T1
1	1	-0039	NI07555	insulator	TT12 0.5t*95*93_V1.0		
1	1	-0001	NI04630	film-RS-CT	450*605*0.5mm 0.184kg_V1.0		
1	1	-0040	CG00130	X2 capacitor	0.47uF/305V 20%(C42Q2474M6HC000)(FARA)		C5
1	1	-0041	HA01919	jump	5mm		PR1,R110
1	1	-0001	HA02249	wire	ϕ 0.6 鍍錫		
1	1	-0042	MI06323	heat-shassis	TS212 2t*40*100*206_V1.2		
1	1	-0001	ME00221	iron pillar	M3*8*0.5PH_V1.1		
1	1	-0002	MI00055	AL plate-RS	2*2000*1000 10.88kg		
1	1	-0043	CN00372	Inductance	22uH T94-2		L8,L9
1	1	-0044	HK18335	PC board	P-DM 300W+300W_AI		
1	1	-0001	CB00112	electrolytic capacitor	10uF/35V 105°C ϕ 4*7mm 2.5mm		C95
1	1	-0002	CF00183	metal-film capacitor MSC	0.1uF/100V 5% CASE01		C79,C80
1	1	-0003	CB00188	electrolytic capacitor	10uF/63V ϕ 5*11mm 2.5mm		C37
1	1	-0004	CB00034	electrolytic capacitor	33uF/16V ϕ 5*11mm 2.5mm		C83,C84
1	1	-0005	CC00074	mylar capacitor-RS-ACT	0.01uF/100V 3%		C27
1	1	-0006	CA00131	ceramic capacitor-RS	0.01uF/1000V ZSU		C15,C16,C25
1	1	-0007	CB00409	electrolytic capacitor-RS	22uF/16V 105°C ϕ 5*11mm		C45,C46
1	1	-0008	CB00469	electrolytic capacitor-RS	100uF/16V LSR 105°C ϕ 5*11mm		C34,C35,C38,C3,C4
1	1	-0009	HK18333	PC board	P-DM 300W+300W_SMD		
1	1	-0001	SF00083	transistor	MMBT5551LT1G(SOT23)(ON)		Q4
1	1	-0002	RD00298	SMD precise resistor 1/10W	47.0 Ω \pm 1% 0603		R23
1	1	-0003	SE00012	SMD rectifier diode-RS	BAV103(PHI)		D15,D16,D22,D23
1	1	-0004	SG00122	SMD integrated circuit-RS-ACT	NJM4580M-TE3(DMP8)(JRC)		U5
1	1	-0005	SE00054	SMD L.E.D	yellow 19-21UYC/S530-A2/TR8		DS1,DS2
1	1	-0006	RD00327	SMD precise resistor 1/10W	8.20K Ω \pm 1% 0603		R75,R76
1	1	-0007	RD00355	SMD fixed resistor 1/10W	4.7 Ω \pm 5% 0603		R79,R80
1	1	-0008	RD00214	SMD precise resistor 1/10W	10.0K Ω \pm 1% 0603		R10,R24,R25,R59,R60,R10 0,R30
1	1	-0009	RD00059	SMD fixed resistor 1/10W	0.0 Ω \pm 5% 0603		R109
1	1	-0010	RD00209	SMD precise resistor 1/10W	4.99K Ω \pm 1% 0603		R73,R74
1	1	-0011	RD00224	SMD precise resistor 1/10W	100K Ω \pm 1% 0603		R9,R12,R13,R14,R26,R27
1	1	-0012	RD00460	SMD precise resistor 1/10W	560 Ω \pm 1% 0603		R64
1	1	-0013	RD00466	SMD precise resistor 1/4W	2.0K Ω \pm 1% 1206		R35,R36,R102,R103
1	1	-0014	RD00255	SMD precise resistor 1/4W	100K Ω \pm 1% 1206		R7,R8
1	1	-0015	RD00506	SMD precise resistor 1/10W	3.30K Ω \pm 1% 0603		R77,R78,C72
1	1	-0016	RD00512	SMD precise resistor 1/10W	180K Ω \pm 1% 0603		R92
1	1	-0017	RD00219	SMD precise resistor 1/10W	20.0K Ω \pm 1% 0603		R71,R72
1	1	-0018	RD00399	SMD precise resistor 1/4W	10.0K Ω \pm 1% 1206		R57,R58
1	1	-0019	RD00282	SMD precise resistor 1/10W	1.00K Ω \pm 1% 0603		R21,R39,R63,R91
1	1	-0020	RD00272	SMD precise resistor 1/10W	10.0 Ω \pm 1% 0603		R45,R49,R50,R61,R62,R67 ,R68,R81,R82,R83,R84
1	1	-0021	RD00274	SMD precise resistor 1/10W	100 Ω \pm 1% 0603		R69,R70
1	1	-0022	RD00414	SMD precise resistor 1/10W	3.90K Ω \pm 1% 0603		R28,R22
1	1	-0023	RD00385	SMD precise resistor 1/10W	3.01K Ω \pm 1% 0603		R47,R48
1	1	-0024	RD00415	SMD precise resistor 1/10W	4.70K Ω \pm 1% 0603		R85,R86
1	1	-0025	RD00400	SMD fixed resistor 1/4W	220 Ω \pm 5% 1206		R1,R17
1	1	-0026	RD00525	SMD precise resistor 1/10W	33.0K Ω \pm 1% 0603		R55,R56
1	1	-0027	RD00303	SMD precise resistor 1/10W	57.6K Ω \pm 1% 0603		R33,R34
1	1	-0028	RD00200	SMD precise resistor 1/10W	150 Ω \pm 1% 0603		R46
1	1	-0029	CI00096	SMD ceramic capacitor 0603	560PF/50V NPO \pm 5%		C20
1	1	-0030	CI00145	SMD ceramic capacitor 0805	0.0015uF/50V X7R \pm 10%		C60,C61,C62,C63,C67,C68
1	1	-0031	CI00154	SMD ceramic capacitor 1206	0.1uF/100V X7R \pm 10%		C33,C69
1	1	-0032	CI00185	SMD ceramic capacitor 0603	0.1uF/50V X7R \pm 10%(C1608X7R1H104KT)/TDK		C29,C30,C56,C57,C81,C82 ,C91,C92,C93,C94,C19
1	1	-0033	CI00179	SMD ceramic capacitor 0603	0.22uF/25V X7R \pm 10%(C1608X7R1E224KT)/TDK		C44
1	1	-0034	CI00195	SMD ceramic capacitor 1206	4.7uF/25V Y5V (GRM31CB11E475ZA01D)		C65,C66,C70,C71,C85,C86 ,C87,C88,C36,C24
1	1	-0035	CI00206	SMD ceramic capacitor 0603	0.047uF/50V \pm 10%(C1608X7R1H473KT)/TDK		C18,C49
1	1	-0036	CI00201	SMD ceramic capacitor 0603	0.01uF/50V \pm 10%(C1608X7R1H103KT)/TDK		C58,C59
1	1	-0037	CI00051	SMD ceramic capacitor 0603	22PF/50V COG \pm 5%(C1608COG1H220JT)/TDK		C43
1	1	-0038	CI00220	SMD ceramic capacitor 0603	220PF/50V COG \pm 5%(C1608COG1H221JT)/TDK		C39,C42
1	1	-0039	SF00082	transistor-RS-ACT	MMBT5401LT1G(SOT23)(ON)		Q3
1	1	-0040	RD00541	SMD precise resistance 1/10W	0 Ω \pm 1% 0603		350W+175W
1	1	-0041	RD00596	SMD precise resistor-RS 1/4W	10.0 Ω \pm 1% 1206		R37,R38,R96,R99
1	1	-0042	CI00269	SMD ceramic capacitor-RS 1206	1.0uF/25V X7R \pm 10%		C23,C41
1	1	-0043	SE00089	SMD zener diode-RS	1/2W 5.1V(MMSZ5231B)(SOD-123)(PANJIT)		D5,D19
1	1	-0044	RD00636	SMD precise resistor-RS 1/4W	47.0K Ω \pm 1% 1206		R18,R52
1	1	-0045	SE00098	SMD zener diode-RS-C	1W 15V DL4744A MELF/(SJ)		D14
1	1	-0046	SG00495	SMD integrated circuit-RS	IR2156SPBF(SO14)(IR)		U3
1	1	-0047	CI00279	SMD ceramic capacitor-RS 1206	0.0022uF/200Vx7R \pm 10%		R94
1	1	-0048	CI00306	SMD ceramic capacitor-RS	1.0uF/25V X7R \pm 10%		C21,C22
1	1	-0049	AE00553	SenJu solder paste	M705-GRN360-K2-V 0.5KG/bottle		
1	1	-0050	RD00697	SMD precise resistor-RS	390.0 Ω \pm 1% 0603		R51
1	1	-0051	SE00133	SMD zener diode-RS	225mW 12V BZX84C12LT1G(SOT23)		D18
1	1	-0052	SE00134	SMD rectifier diode-RS-ACT	1A 600V MURS160T3G (SMB)/(ON)		D13
1	1	-0053	SG00667	SMD integrated circuit-RS	IRS2092S(SOIC16N)(IR)		U7,U8

1111	+0054	CI00328	SMD ceramic capacitor-RS 1206	150PF/630V COG ±5%(C3216C0G2J151J)/TDK	C47,C48
1111	+0055	SE00149	SMD double-direct triy diode-RS	1A/30V RB160M-30(ROHM)	D3,D4
1111	+0056	RD00818	SMD fixed resistor 2W	2.2K Ω ±5% 2512	R43,R44
1111	+0057	RD00800	SMD precise resistor 1/8W	10.0 Ω ±1% 0805	R112,R113,R114,R115
1111	+0058	SG00729	SMD integrated circuit-RS-ACT	MC78M12CDTRKG(DPAK-3)/(ON)	U4
1111	+0059	SE00156	SMD diode-RS-ACT	1A/200V ES1D(SMA)/(FAIRCHILD)	D1,D2,D20,D21,D28
1111	+0060	CI00356	SMD ceramic capacitor 1206	0.1uF/250V X7R ±10%(GRM31CR72E104KW03L)	C73,C74,C75,C76,C77,C78 R104,R105,R106,R107
1111	+0061	SE00161	SMD diode-RS	2A/200V ER2D 35nS(DO214AA)/(PANJIT)	D29,D30,D31,D32,D33,D34,D35,D36
1111	+0062	CO00168	SMD inductance-RS-ACT	1000 Ω ±25%(BLM18RK102SN1D)	L6,L7,L10,L11,L14,L15,L16,L17,L13
1111	+0063	CI00366	SMD ceramic capacitor 0805	220PF/250V COG ±5%	C100,C101,C102,C103
1111	+0064	CI00387	SMD ceramic capacitor-RS	0.0022uF/250V X7R ±10%	C54,C55
1111	+0065	SE00177	SMD rectifier diode-RS	0.5A LL4148(SOD-80)/(VISHAY)	D10,D11,D24,D25,D26,D27
1111	+0066	SE00189	SMD diode-RS-ACT	8A/200V STTH802B-TR (DPAK)/(ST)	BD1,BD2,BD3,BD4
1111	+0067	RD00945	SMD resistance 1/4W	1.0 Ω ±1% 1206	R87,R88
1111	+0068	RD00957	SMD precise resistor 1/10W	4.3K Ω ±1% 0603	R31,R32
1111	+0069	RD00293	SMD precise resistor 1/10W	17.4K Ω ±1% 0603	R29
1111	+0070	RD01001	SMD precise resistance 1/10W	24K Ω ±1% 0603	R53,R54
1111	+0071	HB04061	PCB	DM 400W+200W_VER150720	
1111	+0072	SB00379	Photodiode	LTV-817S-TA1-C(LITEON)/	U6
1111	+0073	RD00123	SMD fixed resistor 1/10W	470K Ω ±5% 0603	R2,R3,R4,R5
11	+0045	MC01371	top cover	TS212 1.5*19.5*95.6*163_V1.0	
11	+0001	MJ00069	iron board	1.5*2135*1220 30.67kg	
11	+0046	MG00269	screw-RS	M3*6	fix the top cover
11	+0020	NI00218	cable tie	ALT-102SB	
11	+0021	HA05997	header wiring	2P UL1007 18AWG	
11	+0022	ND01444	EV foam	0.5*650*3mm_V1.0	pasted on the sealed box
11	+0023	NI02527	knob-RS	φ 14*13mm_V1.3	
11	+0024	MA11190	panel	TS218S ALTO CHINA_V1.1	
11	+0001	MA11187	panel	TS 212 SUB 2*235*268	
11	+0001	AE00055	solvent	solvent	
11	+0002	AE00201	.	5041	
11	+0003	MA11186	panel	TS 212 SUB 2*235*268_V1.1	
11	+0001	ME00001	screw pillar-RS	M4*10*0.7PH_V1.0	
11	+0002	ME00319	iron pillar-RS-CT	6.35*M3*26.5_V1.0	
11	+0003	ME00038	iron pillar	6.35*M3*8.4_V1.3	
11	+0004	MJ01580	single light board-RS	2.0*1850*1250mm 36kg	
11	+0025	NI07837	fixed bracket	TS 212 SUB 81*187.5*24.5_V1.0	
11	+0026	HA06363	header wiring	7P-7P 200mm UL1007 26AWG	
11	+0027	NC04781	Insulator	φ 7.5_ES503_DB	stick to AC Jack
11	+0022	NI02590	cable tie	YJ-203V0 UL94V-0	fix the speaker wire*1
11	+0023	NF04684	user manual	TS2 SUB ALTO_V1.0	
11	+0001	NH00231	paper	889*554mm	
11	+0024	NE27158	lable	TS218SXUS_V1.0	pasted on the two sides of carton*2
11	+0001	NI00018	membrane	0.06*1M	
11	+0002	NH00035	bond paper	0.06*1M	
11	+0025	NI00218	cable tie	ALT-102SB	LED wire*1
11	+0026	ND01485	sponge	11*15*13.7 black_V1.0	pasted on the LED support*1
11	+0027	NB08876	carton	TS218S ALTO_V1.0	
11	+0028	NE27161	lable	TS218S_V1.0	stick to the right corner of grille
11	+0029	NI07857	3M VHB	11*31.3*26.4 (3M 4952)_V1.0	stick to the back of logo*2
11	+0030	NI07836	mark	TS 212 SUB 30.35*11.03*90.22_V1.0	
11	+0031	MD02089	iron net	TS218SUB 1.2*86.4*494.6*629_V1.0	
11	+0032	HA06368	wire	4P 280mm UL1007 18AWG	
11	+0001	HA06369	wire	4P 280mm UL1007 18AWG	
11	+0002	CN00283	high frequency magnetism encircle-RS	φ 16*16 (742700752)/WURTH ELEKTRONIK	
11	+0033	NE26801	lable	NUMARK SERIES_V1.0	pasted to the PE bags
11	+0001	NI02598	membrane	125mm	
11	+0002	NI00068	Scotch tape	0.16*1M	
11	+0034	NE21518	lable	APX2000/3000_V1.1	stick to the powercon

Rank	Part No	Description	Specification	Insert Location	Remark
PC03023	PC03023	SPEAKER	TS218S_ALTO_230V_CHINA_(NUMARK)		
+0001	NC05055	box	TS218S_V1.2		
-0001	NI02426	foot cushion	φ 37*15.5mm PGHA1022ZA/J1_P_A		
-0002	MI02042	handle-RS	220*163.5*63mm_V1.0		
-0003	ME00082	nut-RS	M5*0.8PH*10.6_V1.2		Lock the woofer
-0004	ME00083	nut	M6*1.0PH*11.6_V1.2		Lock the pole mount
-0005	ME00085	nut	M4*0.7PH*9.3_V1.2		Lock the handles on two sides
-0006	MG00034	screw	M4*16		Lock the handle*12
-0007	MG00338	screw-RS	M4*30mm		Lock the handle*8
-0008	MG00670	SCREW-RS	M6*40		Lock the pole mount*4
-0009	ND00242	EV foam	43*47.5*1.5mm		stick to the handles on two sides
-0010	ND00634	EV foam--RS	2.0t*300*15mm_black_V1.0		stick to the pole mount
-0011	ND00635	EV foam--RS	2.0t*700*15mm_black_V1.0		stick to the handles
-0012	MG00751	screw-RS	M4*20MM		lock the feet*4
-0013	MH01704	handle-RS	ELVIS φ 110*96_V1.3		
-0014	NH00784	Tube	TS218S φ 148* φ 156*400_V1.0		used for the cabinet*2
-0015	NC05074	top cover	TS 218S 628*523.3*18mm_V1.0		
-0001	NC03657	Plywood-RS-CARB	2440*1220*18t		
-0016	NC05075	chassis	TS 218S 628*523.3*18mm_V1.0		
-0001	NC03657	Plywood-RS-CARB	2440*1220*18t		
-0017	NC05076	side cover board	TS 218S 641*561*18mm left_V1.0		
-0001	NC03657	Plywood-RS-CARB	2440*1220*18t		
-0018	NC05077	side cover board	TS 218S 641*561*18mm right_V1.0		
-0001	NC03657	Plywood-RS-CARB	2440*1220*18t		
-0019	NC05078	front board	TS 218S 641*495*18mm_V1.0		
-0001	NC03657	Plywood-RS-CARB	2440*1220*18t		
-0020	NC05079	rear board	TS 218S 641*386*18mm_V1.0		
-0001	NC03657	Plywood-RS-CARB	2440*1220*18t		
-0021	NC05063	rear board	TS 212S 277.5*310.5*18mm_V1.0		
-0001	NC03657	Plywood-RS-CARB	2440*1220*18t		
-0022	NC05080	barrier	TS 218S 500*110*15mm_V1.0		
-0001	NC03656	Plywood-RS-CARB	2440*1220*15t		
-0023	NC05081	billet	TS 218S478.6*85*15mm_V1.0		
-0001	NC03656	Plywood-RS-CARB	2440*1220*15t		
-0024	AE00684	Paint	LTS-6072 25KG/Pail		
-0025	AE00686	Paint	LTS-6071B 10KG/Pail		
-0026	AE00687	Paint	DTS-1202-1 20KG/Pail		
-0027	AE00688	Paint	DTS-1021A-1 20KG/Pail		
-0028	AE00689	Paint	DTS-1021B 10KG/Pail		
-0029	AE00692	Paint	PU-010-4 170KG/Pail		
-0030	AE00693	Paint	MTS-2209 20KG/Pail		
-0031	AE00694	Paint	LTS-6070B-1 10KG/Pail		
-0032	ND01273	absorb sound sponge-RS	470*360*30t 500g/mf UL 437010153_V1.0		
-0033	ND01552	Absorb sound sponge-RS	TS218S 1250*450*30t 500g/mf UL_V1.0		
+0002	HK18346	speaker	18inch 600W 8Ω(TS218S)		
-0001	NH00413	caushion-RS	10*15.5 EVA_black_V1.3		
-0002	NH00414	dust-proof shade-RS-ACT	φ 139*17_V1.0		
-0003	ND01380	wind-proof sponge-RS	φ 34*30H 20_V1.0		
-0004	MH01986	magnet-RS	φ 180*95*20 Y30_V1.0		
-0005	MI05996	bracket-RS	φ 459.8*105*155.2 P:128_V1.0		
-0006	MG00263	screw	M5*8		Lock the washer and bracket*4
-0007	HC00882	terminal-RS	6.3#+6.3#3.5*3.5_V1.0		
-0008	HA04554	line-RS	TA217Y18H2KA33/42WB*2*180mm		
-0001	HA04553	line-RS	TA217Y18H2KA33/42WB*1M		
-0009	NH00415	cone-RS	φ 440* φ 76.5*120_V1.1		
-0010	ND00693	dampner-RS	φ 191* φ 75.8*16 0.4/100g TC:D-1940B		
-0011	MH02767	T type middle pillar	φ 165*74.25*31.5*8 φ 30		
-0012	MH02464	iron coil-RS	φ 175*78.5*10 P:128 TL:W175-50_V1.0		
-0013	NE27055	label	HK18346_V1.0		
-0001	NI00015	membrane	0.04*1M		
-0002	NH00012	bond paper	0.04*1M		
-0014	MF00020	washer	φ 5* φ 12*1t		
-0015	HG00595	voice coil	TTL/4L φ 74.88*56*5.2Ω*0.27 22.2 EI		
+0003	NI07835	net	TS218S 5t*625*551.4_V1.0		stick to the back of grille*1
+0004	HA06358	wire	550mm UL1015 18AWG+Capacitance		speaker wire*1
-0001	CF00245	metal-film capacitor-RS	0.0022uF/400V 5% ESK400D22JA		
-0002	HA06357	wire	550mm UL1015 18AWG		
+0005	ND00665	EV foam-RS	950*15*2.0mm_black_V1.0		stick to the AMP
+0006	ND00633	EV foam--RS	1.0t*1500*15mm_black_V1.0		pasted on the two sides of grille
+0007	ND00701	EV FOAM	1370*15*2.0mm		pasted on the woofer
+0008	MG01030	Screw-RS	M3*20		lock the grille*8
+0009	MG00350	screw-RS	M5*30		lock the woofer*8
+0010	MG00351	screw-RS	M4*16		fix the amp and cabinet*8
+0011	HK17710	PC board	P-TS212 Logo LED-DIP		to fix the logo
+0001	HK17709	PC board	P-TS210 LED--SMD		
-0001	HB04153	PCB-RS	TS212 LOGO LED (4*8)_VER150908		
-0002	SE00270	SMD L.E.D	blue MS-PTB414SUBC	LED1	
-0003	AE00553	SenJu solder paste	M705-GRN360-K2-V 0.5KG/bottle		
-0002	HC00253	connector(male)	2P 2.0mm 180°	CN1	
-0003	AC00603	lead free soldering bar	S100		
+0012	NI07597	LED lens	TS212 16.69*10.32*8.15_V1.1		
+0013	HA04308	header wiring	2P-2P 700mm UL1007 26AWG red/white		connect the LED of logo
+0014	NA00923	PE bag-RS	0.035t*1300*1500mm12 hole		speaker*1, guarantee*1, carton*2

-0015	NA00858	PE bag-RS	0.04*240*160mm_V1.0		pack the user manual and guarantee
-0016	NA01719	sponge barrier	TS218S_V1.0		
-0017	NE27063	label	TS218S_V1.0		Inside and outside*1, carton *1, user manual*1
-0018	NE27071	label	TS218S_V1.0		speaker*1
+0001	NI00015	membrane	0.04*1M		
+0002	NH00012	bond paper	0.04*1M		
-0019	NF03534	assurance card-RS	ALTO PROFESSIONAL_V2.0		
-0020	HK18379	Faceplate	TS218S_ALTO_220-240V_CHINA_(NUMARK)		fixed to the back of the cabinet
+0001	HA01271	single terminal wiring	60 (PC250,PC187)		SW TO AC Jack
+0002	HA01287	wire-RS	60mm UL1015 18AWG blue		SW TO AC Jack
+0003	HA03186	wire	100mm UL1015 14AWG		GND
+0004	HA04141	wire	100mm UL1015 18AWG blue		AC SW to AC Jack
+0005	HA04143	wire	100mm UL1015 18AWG brown		AC SW to AC Jack
+0006	HC00331	AC socket	RF-2004		
+0007	HD00013	glass tube fuse	3.15A 250V ϕ 5*20mm CSA/S/UL/VDE		
+0008	HI00475	power switch-RS	2*2P RF-1003-BBA8E2X1T		
+0009	ME00016	color nut	4m/m		GND
+0010	MF00014	washer	ϕ 3* ϕ 6.5*0.5t		AMP*6
+0011	MF00038	washer-RS	ϕ 4* ϕ 7*1t		GND
+0012	MF00048	washer-RS	ϕ 4* ϕ 8*0.5t		GND
+0013	MG00061	screw-RS	M3*10(加硬處理)		MIC*8, sealed box*16
+0014	MG00162	screw	M3*8		AMP*6
+0015	MG00163	screw	M3*8		fix the soldering tag*1, PRE GND*1
+0016	NI01862	key	5.5*5.5*14.5_V1.1		
+0017	NI06123	key	9.2*9.2*7.3(3.3*3.3)_V1.0		
-0018	HK18369	PC board	P-TS218 SUB-PRE-DIP		
+0001	HC00253	connector(male)	2P 2.0mm 180°	CN4	
+0002	HC00392	balance MIC jack-RS	JY-5030-030G 180°	JK1,JK2	
+0003	HC01212	balance MIC jack-RS	K6X01V-6-3A	J1,J2	
+0004	HI00162	push-button switch	2 paragraphs 6p PS-22E8552L	SW2,SW3	
+0005	HI00163	push-button switch	2 stage 12P PS-42E85	SW1	
+0006	NI02532	LED spacer support	LEDS-22 22mm		
+0007	RC01034	Potentiometer-RS	30A103-Q1-FA265B120-10K L26.5FCx12	VR1	
+0008	SA00051	L.E.D	ϕ 3 orange,green 28/30/32mm	DL5	
+0009	SA00052	L.E.D	ϕ 3 round(green)long foot 26	DL1,DL2	
+0010	SA00053	L.E.D	ϕ 3 round(red)long foot 26mm	DL4	
+0011	SA00054	L.E.D	3m/m round(yellow)long foot 26	DL3	
-0012	AC00603	lead free soldering bar	S100		
-0013	HK18373	PC board	P-TS218 SUB-PRE-AI		
+0001	CB00192	electrolytic capacitor	10uF/16V ϕ 4*7mm	C1,C2,C3,C6,C7,C35,C36,C37,C38,C42,C70	
+0002	CB00193	electrolytic capacitor	47uF/16V ϕ 6*7mm	C51,C52,C53	
+0003	CB00251	electrolytic capacitor	220UF/25V ϕ 8*11mm	C103,C104	
+0004	CB00262	electrolytic capacitor	47uF/16V NP ϕ 6.3*11mm	C100	
+0005	HK18371	PC board	P-TS218 SUB-PRE-SMD		
+0006	RD00059	SMD fixed resistor 1/10W	0.0 Ω \pm 5% 0603	C36,C37,R111,R112,TS21	
+0007	RD00075	SMD fixed resistor 1/10W	300 Ω \pm 5% 0603	R44,R45,R46,R47	
+0008	RD00135	SMD fixed resistor 1/4W	330 Ω \pm 5% 1206	R134	
+0009	RD00203	SMD precise resistor 1/10W	2.00K Ω \pm 1% 0603	R81,R82,R83,R84	
+0010	RD00209	SMD precise resistor 1/10W	4.99K Ω \pm 1% 0603	R38,R39,R96,R98	
+0011	RD00204	SMD precise resistor 1/10W	2.49K Ω \pm 1% 0603	R97	
+0012	RD00210	SMD precise resistor 1/10W	5.11K Ω \pm 1% 0603	R114,R115	
+0013	RD00214	SMD precise resistor 1/10W	10.0K Ω \pm 1% 0603	R1,R2,R3,R4,R5,R8,R9,R36,R37,R40,R41,R42,R43,R102,R103,R104,R105,R106,R10,R111,R75,R76,R16,R17,R19,R130,R57,R59,R60,R61,R62,R63,R64,R65,R66,R67,R86,R87,R88,R8	
+0014	RD00302	SMD precise resistor 1/10W	28.0K Ω \pm 1% 0603	R6,R7	
+0015	RD00215	SMD precise resistor 1/10W	13.0K Ω \pm 1% 0603	R137,R138	
+0016	RD00216	SMD precise resistor 1/10W	13.3K Ω \pm 1% 0603	R80	
+0017	RD00219	SMD precise resistor 1/10W	20.0K Ω \pm 1% 0603	R107,R108	
+0018	RD00224	SMD precise resistor 1/10W	100K Ω \pm 1% 0603	R121	
+0019	RD00272	SMD precise resistor 1/10W	10.0 Ω \pm 1% 0603	R85	
+0020	RD00282	SMD precise resistor 1/10W	1.00K Ω \pm 1% 0603	R118,R133	
+0021	RD00289	SMD precise resistor 1/10W	8.06K Ω \pm 1% 0603	R12,R13	
+0022	RD00290	SMD precise resistor 1/10W	47.5K Ω \pm 1% 0603	R48,R49,R50,R51	
+0023	RD00293	SMD precise resistor 1/10W	17.4K Ω \pm 1% 0603	R109	
+0024	RD00300	SMD precise resistor 1/10W	6.04K Ω \pm 1% 0603	R55	
+0025	RD00328	SMD precise resistor 1/10W	8.66K Ω \pm 1% 0603	R72,R110	
+0026	RD00330	SMD precise resistor 1/10W	39.0K Ω \pm 1% 0603	R129	
+0027	RD00334	SMD precise resistor 1/10W	11.0K Ω \pm 1% 0603	R94,R120	
+0028	RD00339	SMD precise resistor 1/10W	47.0K Ω \pm 1% 0603	R22,R23,R24,R25,R26,R28,R30,R31,R33,R34,R35	
+0029	RD00344	SMD precise resistor 1/10W	11.5K Ω \pm 1% 0603	R95,R117	
+0030	RD00362	SMD precise resistor 1/10W	953 Ω \pm 1% 0603	R32	
+0031	RD00363	SMD precise resistor 1/10W	3.16K Ω \pm 1% 0603	R52	
+0032	RD00367	SMD precise resistor 1/10W	15.4K Ω \pm 1% 0603	R122	
+0033	RD00368	SMD precise resistor 1/10W	16.5K Ω \pm 1% 0603	R54	
+0034	RD00371	SMD precise resistor 1/10W	51.1K Ω \pm 1% 0603	R53	
+0035	RD00386	SMD precise resistor 1/10W	4.75K Ω \pm 1% 0603	R90	
+0036	RD00415	SMD precise resistor 1/10W	4.70K Ω \pm 1% 0603	R125,R126,R131	
+0037	RD00457	SMD precise resistor 1/10W	150K Ω \pm 1% 0603	R101	
+0038	RD00497	SMD precise resistor 1/10W	36.5K Ω \pm 1% 0603	R92	

RD00544	SMD precise resistance 1/10W	22Ω±1% 0603	R127	
RD00545	SMD precise resistance 1/10W	49.9Ω±1% 0603	R99,R100	
RD00550	SMD precise resistor 1/10W	27.0K Ω ±1% 0603	R132	
RD00709	SMD precise resistor-RS	1.37K Ω±1% 0603	R128	
RD00721	SMD fixed resistor-RS 1/10W	22.1K Ω ±1% 0603	R124	
RD00856	SMD fixed resistor-RS 1/10W	23.2K Ω ±1% 0603	R77	
RD00859	SMD fixed resistor-RS 1/10W	9.09K Ω ±1% 0603	R116	
RD00870	SMD precise resistor-RS 1/10W	10.2K Ω ±1% 0603	R78	
RD00894	SMD fixed resistor-RS 1/10W	46.4K Ω ±1% 0603	R20,R27	
RD00928	SMD precise resistor 1/10W	22.0K Ω ±1%0603	R123	
RD00959	SMD precise resistor 1/10W	16.90K Ω±1% 0603	R93	
RD00967	SMD resistance 1/8W	6.98K Ω ±1% 0805	R14,R15	
RD01038	SMD fixed resistor-RS 1/10W	40.2K Ω ±1% 0603	R21,R29	
RD01040	SMD fixed resistor-RS 1/10W	16.2K Ω ±1% 0603	R79	
RD01115	SMD precise resistor 1/16W	3.0K Ω ±1% 0603	R113	
CI00051	SMD ceramic capacitor 0603	22PF/50V COG±5%(C1608C0G1H220JT)/TDK	C8,C9,C10,C11,C12,C13, C22,C23,C24,C25,C26,C2 7,C28,C29,C30,C31,C32, C33,C34,C43,C44	
CI00055	SMD ceramic capacitor 0603	47PF/50V COG±5%(C1608C0G1H470JT)/TDK	C54,C62	
CI00175	SMD ceramic capacitor 0603	1.0uF/16V X7R±10%(C1608X7R1C105KT)/TDK	C101	
CI00179	SMD ceramic capacitor 0603	0.22uF/25V X7R±10%(C1608X7R1E224KT)/TDK	C40,C41,C49,C50,C61,C8 6	
CI00185	SMD ceramic capacitor 0603	0.1uF/50V X7R±10%(C1608X7R1H104KT)/TDK	C69,C71,C72,C73,C74,C7 5,C76,C77,C78,C81,C82, C83,C84,C85,C86,C87,C8 8,C89,C90,C91,C92,C93, C94,C95,C96,C111,C112, C113,C114,C115,C116,C1 17,C118,C119,C120,C121, C122,C123,C124,C125,C1 26,C127,C128,C66,C98,C	
CI00202	SMD ceramic capacitor 0603	0.015uF/50V ±10%(C1608X7R1H153KT)/TDK	C60	
CI00207	SMD ceramic capacitor 0603	0.056uF/50V ±10%(C1608X7R1H563KT)/TDK	C59	
CI00209	SMD ceramic capacitor 0603	0.082uF/50V ±10%(C1608X7R1H823KT)/TDK	C63,C64	
CI00211	SMD ceramic capacitor 0603	0.15uF/25V X7R±10%(C1608X7R1E154KT)/TDK	C55	
CI00220	SMD ceramic capacitor 0603	220PF/50V COG ±5%(C1608C0G1H221JT)/TDK	C65	
CI00224	SMD ceramic capacitor 0603	470PF/50V COG ±5%(C1608C0G1H471JT)/TDK	C102	
CI00330	SMD ceramic capacitor-RS 0805	10uF/16V±10%(GRM21BB31C106K)(MURATA)	C4,C5	
CI00349	SMD ceramic capacitor 0805	4.7uF/25V X5R ±10%	C47,C48,C97	
CI00404	SMD ceramic capacitor-RS-ACT 0603	0.47uF/16V (GRM188B31C474KA87D)(Murata)	C67,C68,C79	
CO00168	SMD inductance-RS-ACT	1000 Ω ±25%(BLM18R102SN1D)	L1,L2,L3,L4,R135,R136	
SF00038	transistor	RK7002(ROHM)	TR1	
SF00053	transistor	MMBT3906(SOT-23)(PHI)	TR2	
SG00033	SMD integrated circuit	LM358DT(SO8)(ST)	U18	
SG00122	SMD integrated circuit-RS-ACT	NJM4580M-TE3(DMP8)(JRC)	U1,U2,U3,U4,U5,U6,U7, U8,U10,U11,U12,U15,U1 6,U9,U13,U19	
SG00194	SMD integrated circuit	NJM13600M-TE1(DMP16)(JRC)	U14	
SG00306	SMD integrated circuit	LM393DR(TI)(MEXICO)	U17,U20	
AE00553	SenJu solder paste	M705-GRN360-K2-V 0.5KG/bottle		
SE00177	SMD rectifier diode-RS	0.5A LL4148(SOD-80)(VISHAY)	D2,D3,D4	
SE00155	SMD Schottky barrier diode-RS-ACT	BAT 64-04(SOT-23)(INFINEON)	D1	
SE00243	SMD zener diode-RS	1/2W 12V MMSZ5242A(SOD123)/PANJIT	ZD1,ZD2,ZD3,ZD4,ZD5, ZD6,ZD7,ZD8	
RD01167	SMD precise resistor 1/10W	127K Ω ±1% 0603	R56	
HB04398	PCB	TS2 SUB PRE(1*2)_VER160525		
CF00155	metal-film capacitor MSC	0.22uF/63V 5% CASE02	C39	
CF00191	metal-film capacitor MSC	0.33uF/63V 5% CASE02	C58	
CF00183	metal-film capacitor MSC	0.1uF/100V 5% CASE01	C14,C15,C16,C17,C18,C1 9,C20,C21,C129,C130	
CB00038	electrolytic capacitor	47uF/16V φ5*7mm	R58	
HC00258	connector(male)	7P 2.0mm 180°	CN3	
HK18332	PC board	P-DM 300W+300W_DIP		
RA00031	metal-oxide-film resistor 2W	10 Ω P type	R41,R42	
RA00051	metal-oxide-film resistor 2W	5.6 Ω	R65,R66	
NI00268	sleeve	φ 6*20mm PGNS1008ZA/J1_P_C	R40	
NI00266	sleeve	φ 6*1000mm		
MG00162	screw	M3*8		AMP*9
MG00566	screw	M3*10*0.5PH_V1.0		IC*2+shrapnel*9
HC00088	connector(male)	2P 3.9mm 180°(#3921)	J3	
HC00174	connector(male)	4P 3.96mm 180°	J5	
HC00258	connector(male)	7P 2.0mm 180°	J4	insert near L16
HA01933	jump	2.5mm	BRI	
HC00324	connect terminal	6.5m/m (PC250)	J1,J2	
CB00151	electrolytic capacitor	220uF/63V φ 10*16mm	C98,C99	
CN00069	inductance-EMI SUPPRESSOR-RS-ACT	TB36-13-850485	L1,L2,L5,L12	
CG00023	X1/Y1 capacitor	0.0022uF/250VAC Y5U	C6,C7,C8,C10,C11	
MK00103	spring piece	0.5*22.67*6.5*42.5_V1.0		Lock MOS TUBE
CB00295	electrolytic capacitor	820uF/180V φ 25*35	C13,C14	
NI04253	sleeve-RS	φ 28*50M T-2		MK00103
SD00317	integrated circuit	NJM7912FA(TO220F)(JRC)	U2	
ME00226	screw-RS	M3*0.5PH		IC*2+shrapnel*9
SA00316	bridge rectifier-RS	8A GBU-8K/(PANJIT)	D12	
NC01179	insulator spacer-RS	0.13*40mm*55mm(HI-FLOW-625)		stick on Q1, Q5
CB00335	electrolytic capacitor-RS	1000uF/16V φ 8*20mm	C89,C90	
RA01063	metal-oxide-film resistor 3W	0.1 Ω ±2% P type	R40	

1	1	-0023	RH00033	thermistor-RS-CT	5Ω B57235S-0509M000(EPCOS)	R6	
1	1	-0024	SD00380	integrated circuit-RS	NJM7812FA(TO220F)(JRC)	U1	
1	1	-0025	AC00603	lead free soldering bar	S100		
1	1	-0026	SB00284	transistor-RS	IRFB4020PBF(TO220AB)(IR)	Q6,Q7,Q8,Q9	
1	1	-0027	NC04098	insulator spacer-RS	0.13tr*27.5*40mm(HL-FLOW-625)		stick on Q6, Q7/Q8, Q9
1	1	-0028	ND01210	cushion-RS	8t*45*10mm(E-4382)		stick on C13/C14
1	1	-0029	CB00436	electrolytic capacitor-RS	1000uF/63V LSR φ 16*25mm	C28,C31,C32,C64	
1	1	-0030	CF00277	metal-film capacitor-RS	0.22uF/100V C242A224K2SC000(Fara)	C52,C53	
1	1	-0031	CB00438	electrolytic capacitor-RS	470uF/25V LSR φ 8*20mm	C1,C2	
1	1	-0032	CF00284	metal-film capacitor-RS	0.1uF/630V C822J104J60C000(Fara)	C26	
1	1	-0033	RH00037	thermistor-RS-ACT	330Ω PTFL04BG222Q2N34B0(MURATA)	PR200	
1	1	-0034	CF00279	metal-film capacitor-RS	1.0uF/250V C322E105J60C000(Fara)	C50,C51	
1	1	-0035	SB00369	Transistor-RS	FDP18N50(TO220)/FAIRCHILD	Q1,Q5	
1	1	-0036	CN00359	inductance	5.0mH φ 0.7*30T	L3,L4	
1	1	-0037	CG00126	X2 capacitor-RS	0.33uF/275V ±10%(C42P2334K6SC000)(FARA)	C9,C12	
1	1	-0038	TC00585	Transistor	PT-DM 350W+175W(ER35)_230V	T1	
1	1	-0039	NI07555	insulator	TT12 0.5t*95*93_V1.0		
1	1	-0040	CG00130	X2 capacitor	0.47uF/305V 20%(C42Q2474M6HC000)(FARA)	C5	
1	1	-0041	HA01919	jump	5mm	PR1,R110	
1	1	-0042	MI06323	heat-shassis	TS212 2t*40*100*206_V1.2		
1	1	-0043	ME00221	iron pillar	M3*8*0.5PH_V1.1		
1	1	-0044	MI00055	AL plate-RS	2*2000*1000 10.88kg		
1	1	-0045	CN00372	Inductance	22uH T94-2	L8,L9	
1	1	-0046	HK18335	PC board	P-DM 300W+300W_A1		
1	1	-0047	CB00112	electrolytic capacitor	10uF/35V 105°C φ 4*7mm 2.5mm	C95	
1	1	-0048	CF00183	metal-film capacitor MSC	0.1uF/100V 5% CASE01	C79,C80	
1	1	-0049	CB00188	electrolytic capacitor	10uF/63V φ 5*11mm 2.5mm	C37	
1	1	-0050	CB00034	electrolytic capacitor	33uF/16V φ 5*11mm 2.5mm	C83,C84	
1	1	-0051	CC00074	mylar capacitor-RS-ACT	0.01uF/100V 3%	C27	
1	1	-0052	CA00131	ceramic capacitor-RS	0.01uF/1000V Z5U	C15,C16,C25	
1	1	-0053	CB00409	electrolytic capacitor-RS	22uF/16V 105°C φ 5*11mm	C45,C46	
1	1	-0054	CB00469	electrolytic capacitor-RS	100uF/16V LSR 105°C φ 5*11mm	C34,C35,C38,C3,C4	
1	1	-0055	HK18333	PC board	P-DM 300W+300W_SMD		
1	1	-0056	SF00083	transistor	MMBT5551LT1G(SOT23)(ON)	Q4	
1	1	-0057	RD00298	SMD precise resistor 1/10W	47.0Ω ±1% 0603	R23	
1	1	-0058	SE00012	SMD rectifier diode-RS	BAV103(PHI)	D15,D16,D22,D23	
1	1	-0059	SG00122	SMD integrated circuit-RS-ACT	NJM4580M-TE3(DMP8)(JRC)	U5	
1	1	-0060	SE00054	SMD L.E.D	yellow 19-21UYC/SS30-A2/TR8	DS1,DS2	
1	1	-0061	RD00327	SMD precise resistor 1/10W	8.20K Ω ±1% 0603	R75,R76	
1	1	-0062	RD00355	SMD fixed resistor 1/10W	4.7Ω ±5% 0603	R79,R80	
1	1	-0063	RD00214	SMD precise resistor 1/10W	10.0K Ω ±1% 0603	R10,R24,R25,R59,R60,R100,R30	
1	1	-0064	RD00059	SMD fixed resistor 1/10W	0.0Ω ±5% 0603	R109	
1	1	-0065	RD00209	SMD precise resistor 1/10W	4.99K Ω ±1% 0603	R73,R74	
1	1	-0066	RD00224	SMD precise resistor 1/10W	100K Ω ±1% 0603	R9,R12,R13,R14,R26,R27	
1	1	-0067	RD00460	SMD precise resistor 1/10W	560Ω ±1% 0603	R64	
1	1	-0068	RD00466	SMD precise resistor 1/4W	2.0K Ω ±1% 1206	R35,R36,R102,R103	
1	1	-0069	RD00255	SMD precise resistor 1/4W	100K Ω ±1% 1206	R7,R8	
1	1	-0070	RD00506	SMD precise resistor 1/10W	3.30K Ω ±1% 0603	R77,R78,C72	
1	1	-0071	RD00512	SMD precise resistor 1/10W	180K Ω ±1% 0603	R92	
1	1	-0072	RD00219	SMD precise resistor 1/10W	20.0K Ω ±1% 0603	R71,R72	
1	1	-0073	RD00399	SMD precise resistor 1/4W	10.0K Ω ±1% 1206	R57,R58	
1	1	-0074	RD00282	SMD precise resistor 1/10W	1.00K Ω ±1% 0603	R21,R39,R63,R91	
1	1	-0075	RD00272	SMD precise resistor 1/10W	10.0Ω ±1% 0603	R45,R49,R50,R61,R62,R67,R68,R81,R82,R83,R84	
1	1	-0076	RD00274	SMD precise resistor 1/10W	100Ω ±1% 0603	R69,R70	
1	1	-0077	RD00414	SMD precise resistor 1/10W	3.90K Ω ±1% 0603	R28,R22	
1	1	-0078	RD00385	SMD precise resistor 1/10W	3.01K Ω ±1% 0603	R47,R48	
1	1	-0079	RD00415	SMD precise resistor 1/10W	4.70K Ω ±1% 0603	R85,R86	
1	1	-0080	RD00400	SMD fixed resistor 1/4W	220Ω ±5% 1206	R1,R17	
1	1	-0081	RD00525	SMD precise resistor 1/10W	33.0K Ω ±1% 0603	R55,R56	
1	1	-0082	RD00303	SMD precise resistor 1/10W	57.6K Ω ±1% 0603	R33,R34	
1	1	-0083	RD00200	SMD precise resistor 1/10W	150Ω ±1% 0603	R46	
1	1	-0084	CI00096	SMD ceramic capacitor 0603	560PF/50V NPO ±5%	C20	
1	1	-0085	CI00145	SMD ceramic capacitor 0805	0.0015uF/50V X7R ±10%	C60,C61,C62,C63,C67,C68	
1	1	-0086	CI00154	SMD ceramic capacitor 1206	0.1uF/100V X7R ±10%	C33,C69	
1	1	-0087	CI00185	SMD ceramic capacitor 0603	0.1uF/50V X7R±10%(C1608X7R1H104KT)/TDK	C29,C30,C56,C57,C81,C82,C91,C92,C93,C94,C19	
1	1	-0088	CI00179	SMD ceramic capacitor 0603	0.22uF/25V X7R±10%(C1608X7R1E224KT)/TDK	C44	
1	1	-0089	CI00195	SMD ceramic capacitor 1206	4.7uF/25V Y5V (GRM31CB11E475ZA01D)	C65,C66,C70,C71,C85,C86,C87,C88,C36,C24	
1	1	-0090	CI00206	SMD ceramic capacitor 0603	0.047uF/50V ±10%(C1608X7R1H473KT)/TDK	C18,C49	
1	1	-0091	CI00201	SMD ceramic capacitor 0603	0.01uF/50V ±10%(C1608X7R1H103KT)/TDK	C58,C59	
1	1	-0092	CI00051	SMD ceramic capacitor 0603	22PF/50V COG±5%(C1608COG1H220JT)/TDK	C43	
1	1	-0093	CI00220	SMD ceramic capacitor 0603	220PF/50V COG ±5%(C1608COG1H221JT)/TDK	C39,C42	
1	1	-0094	SF00082	transistor-RS-ACT	MMBT5401LT1G(SOT23)(ON)	Q3	
1	1	-0095	RD00541	SMD precise resistance 1/10W	0Ω ±1% 0603		350W+175W
1	1	-0096	RD00596	SMD precise resistor-RS 1/4W	10.0Ω ±1% 1206	R37,R38,R96,R99	
1	1	-0097	CI00269	SMD ceramic capacitor-RS 1206	1.0uF/25V X7R ±10%	C23,C41	
1	1	-0098	SE00089	SMD zener diode-RS	1/2W 5.1V(MMSZ5231B)(SOD-123)(PANJIT)	D5,D19	
1	1	-0099	RD00636	SMD precise resistor-RS 1/4W	47.0K Ω ±1% 1206	R18,R52	
1	1	-0100	SE00098	SMD zener diode-RS-C	1W 15V DL4744A MELF(SJ)	D14	

SG00495	SMD integrated circuit-RS	IR2156SPBF(SO14)/(IR)	U3	
C100279	SMD ceramic capacitor-RS 1206	0.0022uF/200Vx7R±10%	R94	
C100306	SMD ceramic capacitor-RS	1.0uF/25V X7R ±10%	C21,C22	
AE00553	SenJu solder paste	M705-GRN360-K2-V 0.5KG/bottle		
RD00697	SMD precise resistor-RS	390.0Ω±1% 0603	R51	
SE00133	SMD zener diode-RS	225mW 12V BZX84C12LT1G(SOT23)	D18	
SE00134	SMD rectifier diode-RS-ACT	1A 600V MURS160T3G (SMB)/(ON)	D13	
SG00667	SMD integrated circuit-RS	IRS2092S(SOIC16N)/(IR)	U7,U8	
C100328	SMD ceramic capacitor-RS 1206	150PF/630V COG ±5%(C3216C0G2J151J)/TDK	C47,C48	
SE00149	SMD double-direct triy diode-RS	1A/30V RB160M-30(ROHM)	D3,D4	
RD00818	SMD fixed resistor 2W	2.2KΩ ±5% 2512	R43,R44	
RD00800	SMD precise resistor 1/8W	10.0Ω ±1% 0805	R112,R113,R114,R115	
SG00729	SMD integrated circuit-RS-ACT	MC78M12CDTRKG(DPAK-3)/(ON)	U4	
SE00156	SMD diode-RS-ACT	1A/200V ES1D(SMA)/(FAIRCHILD)	D1,D2,D20,D21,D28	
C100356	SMD ceramic capacitor 1206	0.1uF/250V X7R ±10%(GRM31CR72E104KW03L)	C73,C74,C75,C76,C77,C78,R104,R105,R106,R107	
SE00161	SMD diode-RS	2A/200V ER2D 35nS(DO214AA)/(PANJIT)	D29,D30,D31,D32,D33,D34,D35,D36	
CO00168	SMD inductance-RS-ACT	1000Ω ±25%(BLM18RK102SN1D)	L6,L7,L10,L11,L14,L15,L16,L17,L13	
C100366	SMD ceramic capacitor 0805	220PF/250V COG ±5%	C100,C101,C102,C103	
C100387	SMD ceramic capacitor-RS	0.0022uF/250V X7R ±10%	C54,C55	
SE00177	SMD rectifier diode-RS	0.5A LL4148(SOD-80)/(VISHAY)	D10,D11,D24,D25,D26,D27	
SE00189	SMD diode-RS-ACT	8A/200V STTH802B-TR (DPAK)/(ST)	BD1,BD2,BD3,BD4	
RD00945	SMD resistance 1/4W	1.0Ω ±1% 1206	R87,R88	
RD00957	SMD precise resistor 1/10W	4.3KΩ ±1% 0603	R31,R32	
RD00293	SMD precise resistor 1/10W	17.4KΩ ±1% 0603	R29	
RD01001	SMD precise resistor 1/10W	24KΩ ±1% 0603	R53,R54	
HB04061	PCB	DM 400W+200W_VER150720		
SB00379	Photodiode	LTV-817S-TA1-C(LITEON)/	U6	
RD00123	SMD fixed resistor 1/10W	470KΩ ±5% 0603	R2,R3,R4,R5	
MC01371	top cover	TS212 1.5*19.5*95.6*163_V1.0		
MJ00069	iron board	1.5*2135*1220 30.67kg		
MG00269	screw-RS	M3*6		fix the top cover
NI00218	cable tie	ALT-102SB		
ND01444	EV foam	0.5*650*3mm_V1.0		pasted on the sealed box
NI02527	knob-RS	φ 14*13mm_V1.3		
MA11190	panel	TS218S ALTO CHINA_V1.1		
MA11187	panel	TS 212 SUB 2t*235*268		
AE00055	solvent	solvent		
AE00201		5041		
MA11186	panel	TS 212 SUB 2t*235*268_V1.1		
ME00001	screw pillar-RS	M4*10*0.7PH_V1.0		
ME00319	iron pillar-RS-CT	6.35*M3*26.5_V1.0		
ME00038	iron pillar	6.35*M3*8.4_V1.3		
MJ01580	single light board-RS	2.0*1850*1250mm 36kg		
NI07837	fixed bracket	TS 212 SUB 81*187.5*24.5_V1.0		
HA06363	header wiring	7P-7P 200mm UL1007 26AWG		
NC04781	Insulator	φ 7.5_ES503_DB		stick to AC Jack
HA00861	power cord Europe 3P	LT-312+LT-501		
NI02590	cable tie	YJ-203V0 UL94V-0		fix the speaker wire*1
NF04684	user manual	TS2 SUB ALTO_V1.0		
NH00231	paper	889*554mm		
NI00218	cable tie	ALT-102SB		LED wire*1
ND01485	sponge	1t*15*13.7 black_V1.0		pasted on the LED support*1
NB08876	carton	TS218S ALTO_V1.0		
NE27161	lable	TS218S_V1.0		stick to the right corner of grille
NI07857	3M VHB	1t*31.3*26.4 (3M 4952)_V1.0		stick to the back of logo*2
NI07836	mark	TS 212 SUB 30.35*11.03*90.22_V1.0		
MD02089	iron net	TS218SUB 1.2t*86.4*494.6*629_V1.0		
HA06368	wire	4P 280mm UL1007 18AWG		
HA06369	wire	4P 280mm UL1007 18AWG		
CN00283	high frequency magnetism encircle-RS	φ 16*16 (742700752)/WURTH ELEKTRONIK		
NE26801	label	NUMARK SERIES_V1.0		pasted to the PE bags
NI02598	membrane	125mm		
NI00068	Scotch tape	0.16*1M		