

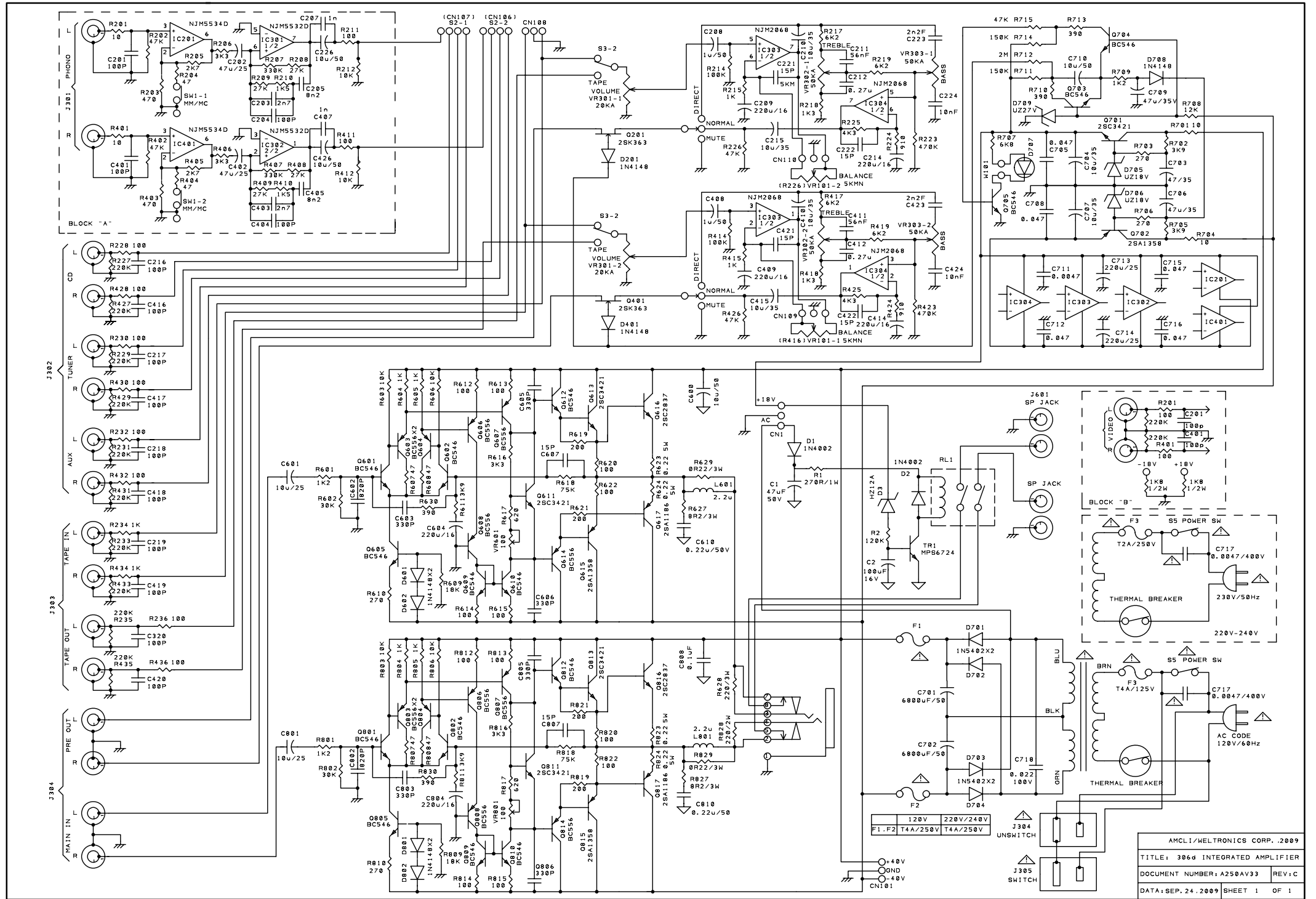
AMC

SERVICE MANUAL

306d

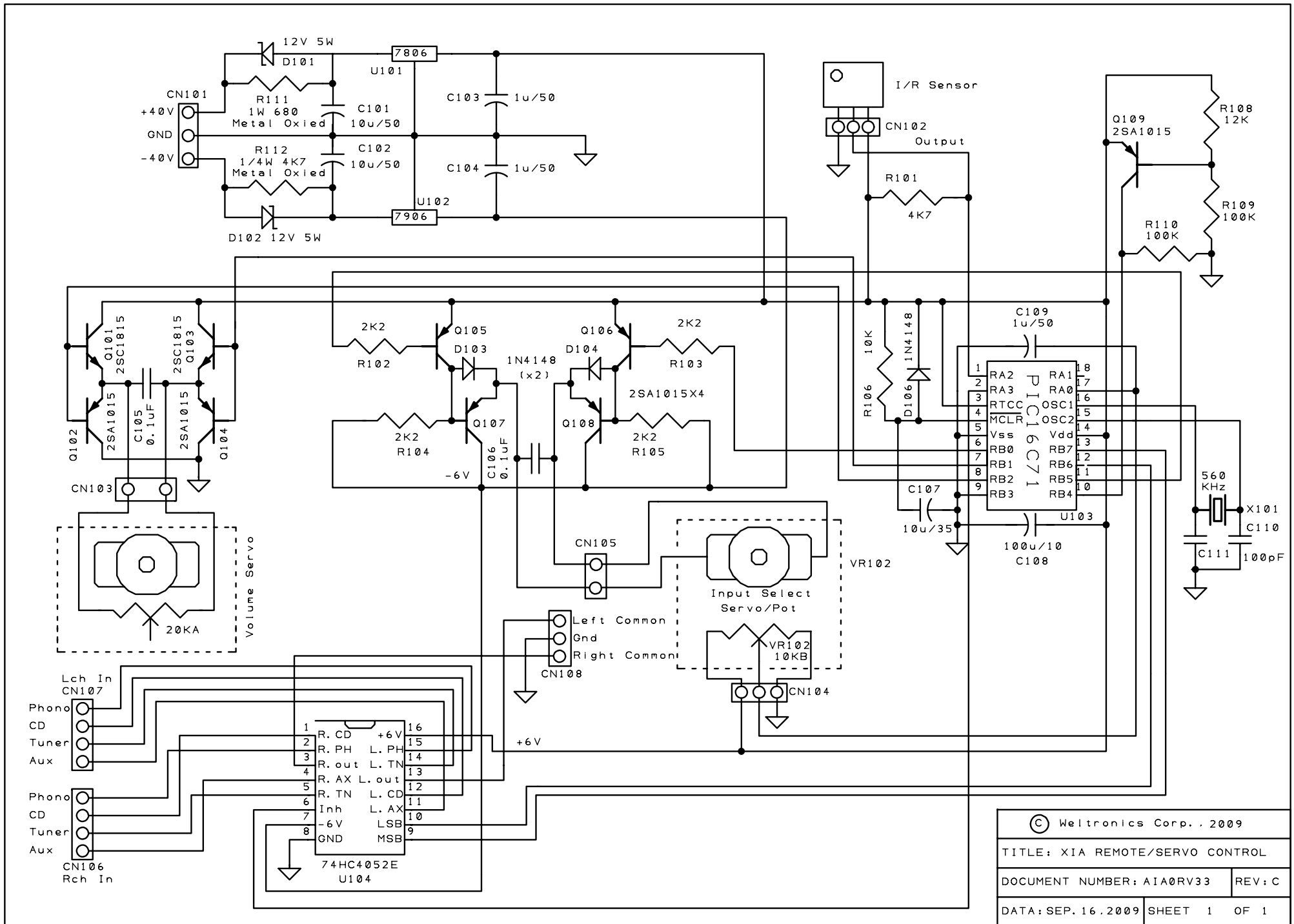
STEREO INTEGRATED AMPLIFIER

SCHEMATIC DIAGRAM (MAIN PCB)



AMCLI/WELTRONICS CORP. 2009
 TITLE: 306d INTEGRATED AMPLIFIER
 DOCUMENT NUMBER: A250AV33 REV: C
 DATA: SEP. 24. 2009 SHEET 1 OF 1

SCHEMATIC DIAGRAM (REMOTE CONTROL PCB)



© Weltronics Corp., 2009	
TITLE: XIA REMOTE/SERVO CONTROL	
DOCUMENT NUMBER: AIA0RV33	REV: C
DATA: SEP. 16. 2009	SHEET 1 OF 1

ITEM	PART NUMBER	LOCATION	PART DESCRIPTION		QTY
1	90R-1181*D		MODULE, MAIN AMP	306d	1
2	19R-1181*B		PCB MAIN CEM-1 94V0 BLUE	XIA/306d w313xh274mm	1
3	30R-1N4148	D601.602.801.802.201.401.708.	DIODE SWITCH 1N4148 TAP RoHS	HITACHI/ROHM	7
4	30R-1:2Z18V	D705.706.	ZD 18V 0.5W HZ18-2 TAP RoHS	NEC/HITACHI	2
5	30R-BC546B	Q601.602.605.609.610.612.703. 704.705.801.802.805.80	TR NPN Si BC546BG	100mA/65V TO-92 ON/PHILIPS	15
6	30R-BC556B	Q603.604.606.607.608.614.803. 804.806.807.808.814.	TR PNP HF BC556B TAP ROHS	PHILIPS/Fairchild /ON	12
7	12R-2154	J301.	RCA JACK 2P CPS-052 RoHS		1
8	12R-2155	J303.304.	RCA JACK 4P RoHS		2
9	12R-2158	J302.	RCA JACK 6P RoHS		1
10	13R-3059	J701.	PHONE JACK 7P 6.3mm RoHS	SCJ624P50CS1B00	1
11	16R-2AS221J	R628.828.	RSE MO 220R 5% 2W RoHS		2
12	16R-3AN8R2J	R627.827.	RES MO 8R2 5% 3W RSF3 MK RoHS		2
13	16R-3ANR22J	R629.829.	RES MO 0.22 5% 3W RSF3 MK RoHS		2
14	16R-5BR22J	R623.823.624.824.	RES WIREWOUND CEMENT 0.22R/5W	R TYPE 5% RoHS	4
15	29R-1110	L601.801.	COIL 2.2uH 0.8mmx28.5T RoHS		2
16	29R-4197	VR302.303.	VR 50Kx2 RoHS	306d	2
17	29R-R6V101B	VR601.801.	VR SEMI-FIX 100R B TYPE RoHS	RH0615C12J7XA	2
18	30R-1N5402	D701-704.	DIODE REQUATOR 1N5402 RoHS		4
19	30R-2SA1186	Q617.817.	TR PNP HF 2SA1186+MICA RoHS	配30R-2SC2837	2
20	30R-2SB649A	Q615.815.702.	TR PNP LF 2SB649A RoHS	TO-126C HITACHI/UTC	3
21	30R-2SC2837	Q616.816.	TR NPN HF 2SC2837+MICA RoHS		2
22	30R-2SD669A	Q613.813.701.611.811.	TR NPN LF 2SD669A RoHS	TO-126C HITACHI/UTC	5
23	30R-NE5532	IC302.	IC NE5532N DUAL OPAMP RoHS	PHILIPS	1
24	30R-NE5534	IC201.401.	IC NE5534N/D OPAMP RoHS	PHILIPS/TI	2
25	30R-J309	Q201.401.	TR FET J309 N-CH RF AMP RoHS		2
26	30R-NJM2068D	IC303.304.	IC NJM2068D OPAMP 8P RoHS		2
27	31R-1212-1	S1.	SLIDE SWITCH SCM-22BF RoHS		1
28	31R-1241	S3.	SW ROTARY SRRZS42N01-EK RoHS	RS003-A042 DGC-15K3Q	1
29	31R-1247	S4.	SW ROTARY 4P3T RoHS		1
30	17R-5EG688M	C701.702.	CAP EL 6800uF/50V 20% RoHS	D<25x40mm P=10mm SNAP-IN	2
31	29R-4212-1	VR301.	VR/MOTOR 20KBx2 RoHS	RD16312MC078-20KBx2(EK)	0
32	29R-4212-2	VR301.	VR WITH MOTOR 20K3Bx2	306d RD16312MC161-20K3Bx2 FWD	1
33	90R-1306		MODULE, REMOTE/CONTROL	306d	1
34	19R-1306		PCB REMOTE CONTROL RoHS		1
35	30R-1N4148	D103.104.105.	DIODE SWITCH 1N4148 TAP RoHS	HITACHI/ROHM	3
36	30R-2SA1015L-GR	Q102.104-109.	TR PNP 2SA1015L-GR	50V 150mA 400mW TO-92 UTC	7
37	30R-2SC1815L-GR	Q101.103.	TR NPN 2SC1815L-GR	50V 150mA 400mW TO-92 UTC	2
38	16R-1AN681J	R111.	RES MO 680R 5% 1W RSF1 MK RoHS		1
39	29R-4213	VR102.	VR/MOTOR 10KBx2 RoHS		1
40	29R-4214	VR101.	VR BAL 5KMNx2 RoHS		1
41	30R-4011	X101.	CER-RESONATOR 560KHz RoHS		1
42	30R-5DZ12V	D101.102.	DIODE ZENER 12V 5W RoHS		2
43	30R-CD74HC4052E	U104.	IC 74HC4052E DIP RoHS TI		1
44	30R-LM7806A	U101.	IC REGULATOR LM7806FA 1A RoHS		1
45	30R-LM7906A	U102.	IC REGULATOR LM7906FA 1A RoHS		1
46	30R-7138TH5-5CN	IR01.	MODULE IR RECEIVER 38KHz	ALL FM-7138TH5-5CN OPTO-SENSOR	1
47	30-16C71-50a02A	U103.	PIC16C71-04/P DIP(已燒錄程式)	程式:3050a-6.OBJ 標籤:50a02A	1
48	90R-1722		MODULE, RELAY	306d	1
49	19R-1722		PCB FR4 D-S RELAY RoHS		1
50	30R-1N4002	D1.2.	DIODE 1N4002G/GL 1A/100V RoHS	RECTRON	2
51	30R-MPS6724	TR1.	TRANSISTOR MPS6724 RoHS	原廠已停產	1
52	30R-1:2Z12V	D3	ZD 12V 0.5W HZ12A-2 TAP RoHS	NEC/HITACHI	1
53	35R-3044-1	RL1.	RELAY DC24V OMI-SS-224LM RoHS		1
54	306d-B-COMR		306d COMMON PARTS	306d	1
55	11R-2154		BRACKET R/L RoHS	306d	2
56	11R-1124B*A		COVER TOP (AMC) BLACK RoHS	306d	1
57	11R-4024		U LINK FOR MAIN IN RoHS		2
58	11R-6121-1*A		PANEL CONTROL RoHS	306d	1
59	11R-6124*A		PLATE BOTTOM RoHS	306d	1
60	11R-6125-3*A		PANEL RIGHT (R) RoHS	306d	1
61	11R-6126-1		PANEL LEFT (L) RoHS		1
62	11R-8630B-2		PANEL FRONT BLACK	306d w430xh72xd23mm	1
63	11R-8466-7		PANEL REAR (A1/EC) RoHS	BLANK w506xd373xh664mm	1
64	12R-2115		AC IN/OUT LET PUSH-IN 3P RoHS	0712-PQG	1
65	12R-2133N*A		BINDING POST RED RoHS (含附件)	306d 須配12R-2134N*A	2
66	12R-2134N*A		BINDING POST BLK RoHS (含附件)	306d 須配12R-2133N*A	2
67	12R-3167		KNOB VOLUME RoHS BLK	306dB	1
68	12R-3151		KNOB CONTROL RoHS BLK	306dB	6
69	12R-3152GN		POWER SW BUTTON GREEN RoHS	AMC	1
70	13R-8227B		POWER KNOB BUSHION RoHS	AMC	1
71	28R-1046-1B		FOOT (R) H=17mm BLK RoHS	AMC	2
72	28R-1046-2B		FOOT (L) H=17mm BLK RoHS	AMC	2
73	29R-2130*A		TRANSFORMER POWER RoHS	306d	1
74	30R-1148-1		LED SUPER BLUE 3mm L034SBLD	ALL 470nm PD=85mW ROUND LENOO	1
75	31R-1243		SWITCH SLIDE 8/4 ohm RoHS		1
76	31R-1381*A		SLIDE SWITCH 2POLE 115/230V	EV-12-61B-CT	1
77	RC-0041-2		REMOTE CONTROL UNIT		1

78	31R-1213*B		POWER SW TV-3 4A SY16-52-3/T	XO/XA/XT/306d	RoHS	1
79	13R-1044*A		I/R LENS RoHS			1
80	16R-1AN181J	R1.	RES MO 180R 5% 1W RSF1 MK RoHS			1
81	306d-B-ECR		VER PARTS RoHS	306d		1
82	14R-5030*B		POWER CORD EC 3P 1.53M BLK	EL211+EL701 H05VV-F 0.75/3C		1
83	R32S12502K0TUSP		FUSE UTE T2A/250V RoHS	T-LAG (UL/CSA/VDE/PSE) 5x20mm		1
84	R32S12504K0TUSP		FUSE UTE T4A/250V RoHS	T-LAG (UL/CSA/VDE/PSE) 5x20mm		2
85	28R-2078-BK		SILICON CAP BINDING POST BLK	搭配28R-2078-RD		2
86	28R-2078-RD		SILICON CAP BANDING POST RED	RoHS		2
87	CTR-5265		CARTON OUTER RoHS	AMC w506xd373xh664mm		0.25
88	CTR-5264		CARTON INNER RoHS	AMC w494xd361xh143mm		1
89	21R-4162-2		MANUAL INSTRUCTION 306d RoHS	306d		1

306d DIFFERENT VERSION PART LIST

PART NUMBER	306d-B_ECR	306d-B_A1R	306d-S_ECR	306d-S_A1R
11R-1124B*A	1	1	-----	-----
11R-1124S	-----	-----	1	1
11R-8630B-2	1	1	-----	-----
11R-8630S-2	-----	-----	1	1
12R-3097S	-----	-----	1	1
12R-3151	6	6	-----	-----
12R-3152GN	1	1	-----	-----
12R-3158S	-----	-----	1	1
12R-3159S	-----	-----	6	6
12R-3167	1	1	-----	-----
14R-5030*B	1	-----	1	-----
14R-5107*C	-----	1	-----	1
15R-2090B	4	4	-----	-----
15R-2090S	-----	-----	4	4
21R-2315	-----	2	-----	2
21R-2331-A1	-----	1	-----	1
21R-2331-EC	1	-----	1	-----
21R-2332-A1	-----	0.5	-----	0.5
21R-2332-EC	0.5	-----	0.5	-----
21R-3015-1	-----	1	-----	1
21R-3024	3	-----	3	-----
26R-0016	-----	-----	0	0
26R-0712	-----	-----	0	0
28R-1049-1	6	6	-----	-----
28R-1049-3	1	1	-----	-----
28R-2078-BK	2	-----	2	-----
28R-2078-RD	2	-----	2	-----
W2R-2B100-10-10	-----	2	-----	2
W2R-6T120-07-07	2	-----	2	-----