

AMC

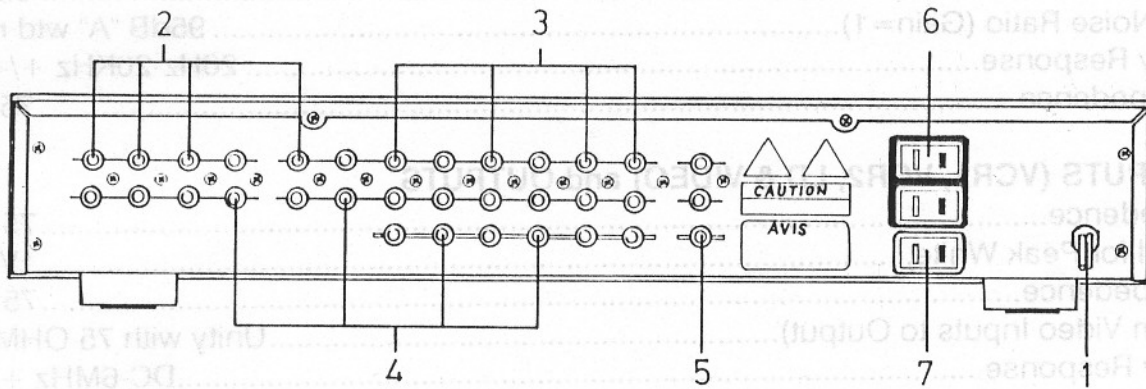
SERVICE MANUAL

AV81

AUDIO VIDEO CONTROL CENTER

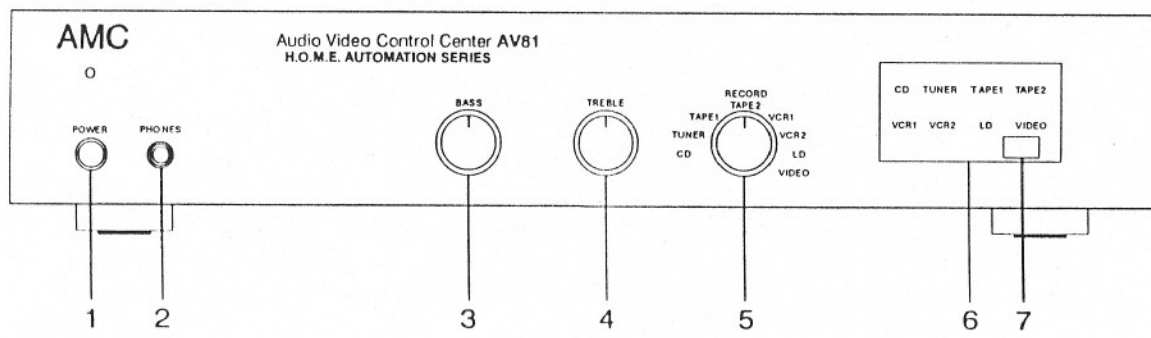
REAR PANEL CONNECTIONS/FRONT PANEL CONTROLS

REAR PANEL



- | | |
|---|---|
| <ul style="list-style-type: none"> 1. AC LINE CORD 2. AUDIO INPUTS: CD, TUNER, TAPE1, TAPE2 3. AUDIO/VIDEO INPUTS: VCR1, VCR2, LD, VIDEO 4. RECORDING OUTPUTS: TAPE1, TAPE2, VCR1, VCR2 | <ul style="list-style-type: none"> 5. AUDIO/VIDEO OUTPUTS 6. SWITCHED CONVENIENCE AC OUTLETS 7. UNSWITCHED CONVENIENCE AC OUTLET |
|---|---|

FRONT PANEL



- | | |
|--|--|
| <ul style="list-style-type: none"> 1. POWER SWITCH 2. PHONES 3. BASS 4. TREBLE | <ul style="list-style-type: none"> 5. RECORD 6. INPUT SELECTOR LED'S 7. INFRARED RECEIVER |
|--|--|

SPECIFICATIONS

AUDIO INPUTS (CD, TUNER, TAPE1, TAPE2, VCR1, VCR2, LD, & VIDEO) and OUTPUTS

Input Impedance.....	R=5MEG, C=100pF
THD 20Hz-20KHz and SMPTE IMD.....	<0.01% at 3Vrms
Inputs Sensitivity for 1V output.....	150mV
Input Overload.....	3.5Vrms
Signal to Noise Ratio (Gain=1).....	95dB "A" wtd ref. 1V
Frequency Response.....	20Hz-20KHz +/-0.5dB
Output Impedance.....	75 OHM

VIDEO INPUTS (VCR1, VCR2, LD & VIDEO) and OUTPUTS

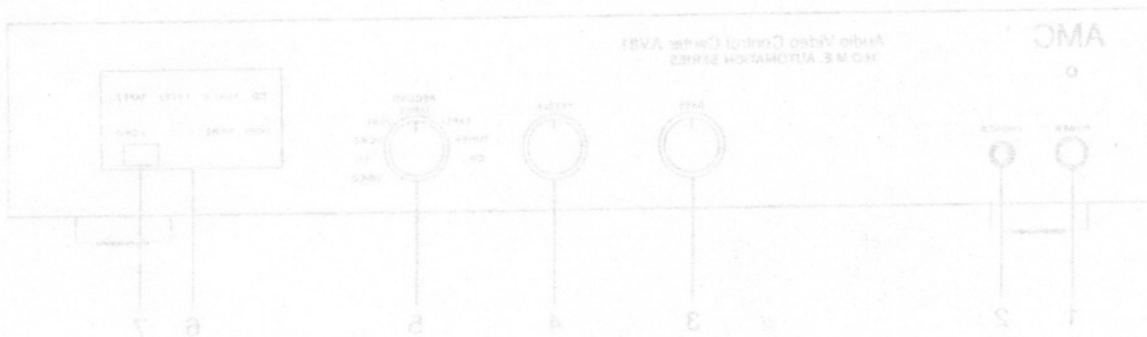
Input Impedance.....	75 OHM
Input Level for Peak White.....	1V peak
Output Impedance.....	75 OHM
Gain (From Video Inputs to Output).....	Unity with 75 OHM term
Frequency Response.....	DC-6MHz +/-1dB DC-18MHz +/-6dB
Max. Input Level.....	+/-2V peak

INFRARED INPUTS

Max. Input Level.....	+5.5V
Min. Input Level.....	+3.5V
Polarity.....	Normally Low
Transmitted I/R Wavelength.....	940nm
Input Impedance.....	330 OHM

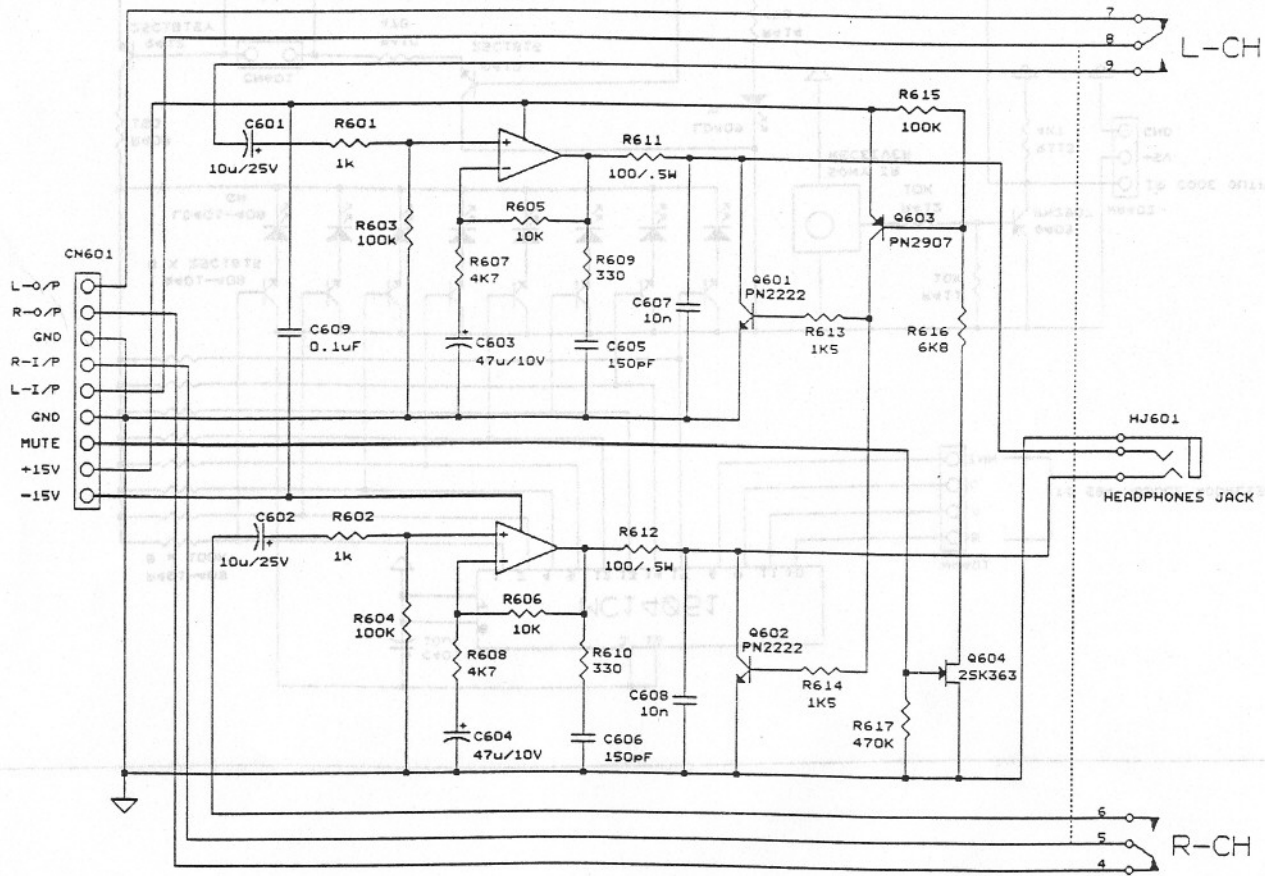
OTHER

Dimensions (W x H x D).....	430 x 82 x 300 mm
Net Weight.....	5.0Kgs. (11 lbs.)
Power Consumption.....	15W

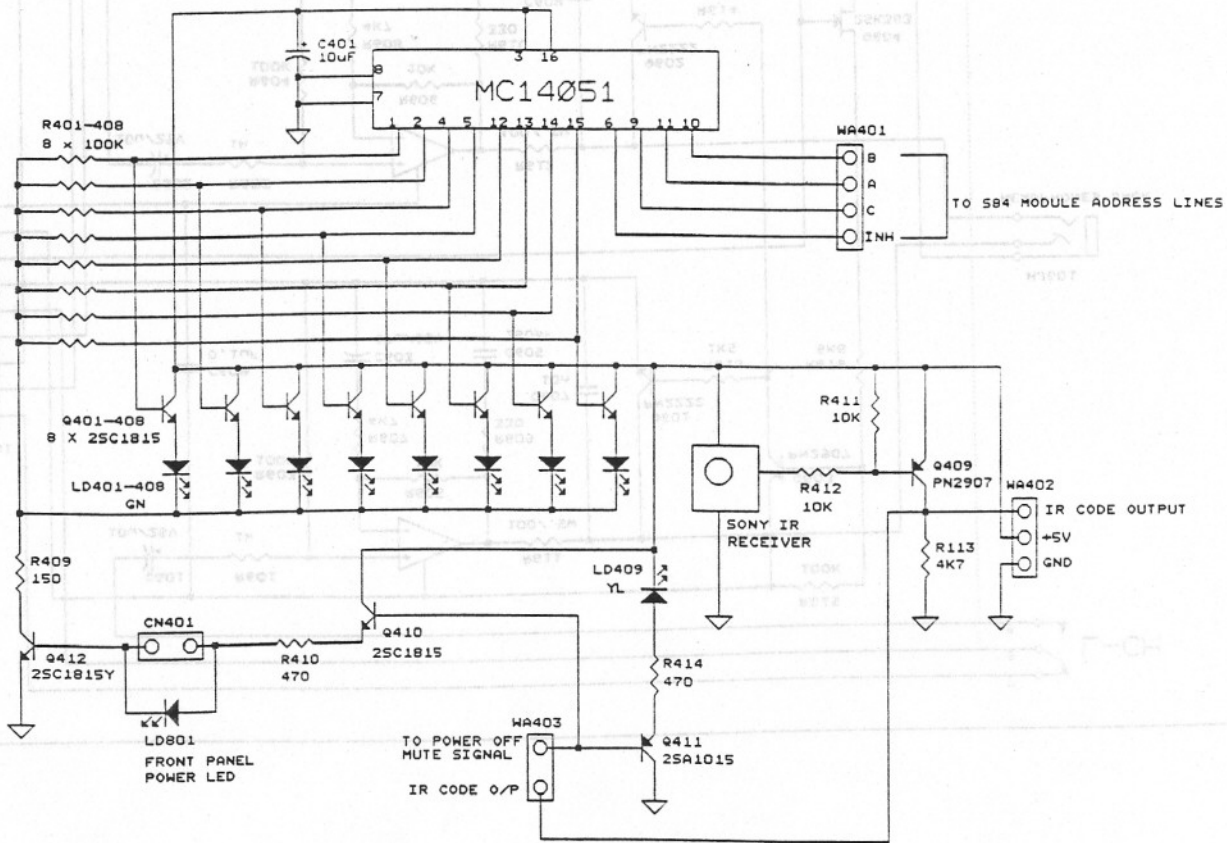


5. RECORD
6. INPUT SELECTOR LED'S
7. INFRARED RECEIVER

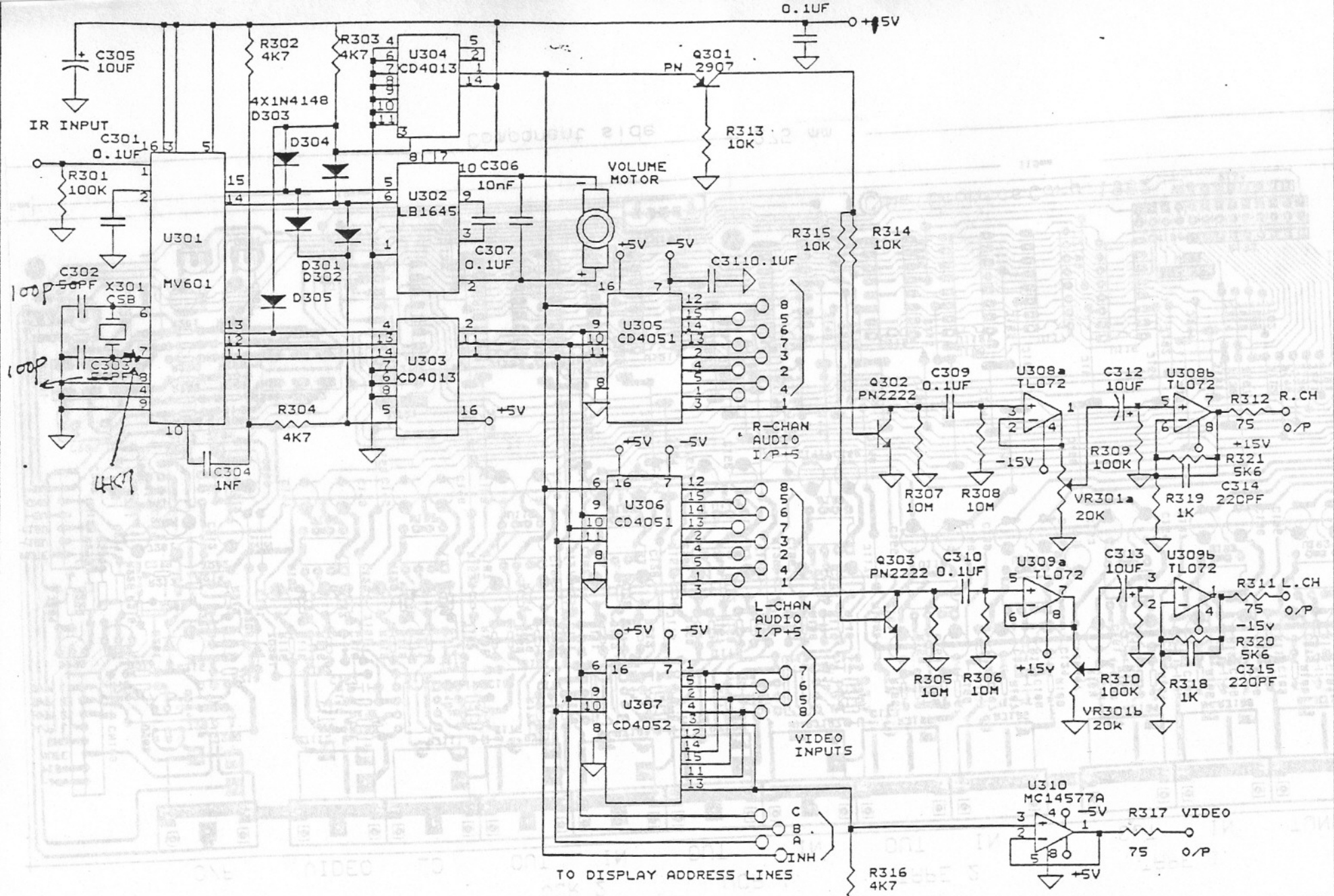
1. POWER SWITCH
2. PHONES
3. BASS
4. TREBLE



ANCLI INTERNATIONAL CORP.		
Title	AV81-HEADPHONE AMP	
Size Document Number		REV
A	MD-HP003	
Date: September 10, 1992	Sheet	of



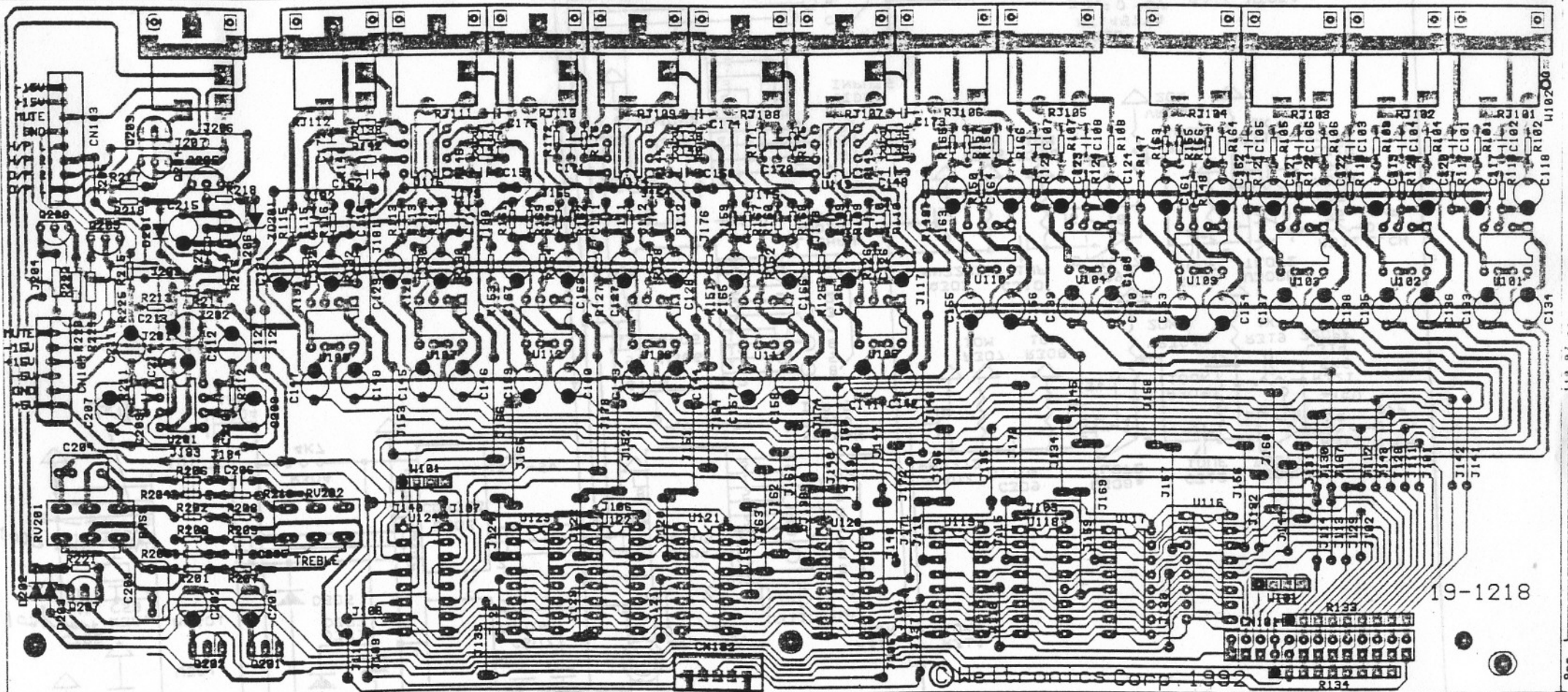
AMCLI INTERNATIONAL CORP.	
Title	AV81 DISPLAY CCT.
Size Document Number	REV
A	SCH/DS A
Date: April 12, 1993	Sheet of



AMCLI CORP. RD AS	
Title	
INPUT SELECTOR MOOULE	
Size	Document Number
A	RIS84-M
	REV

584

O/P VIDEO LD OUT IN OUT IN OUT IN OUT IN OUT IN TUNER CD



© Electronics Corp. 1992

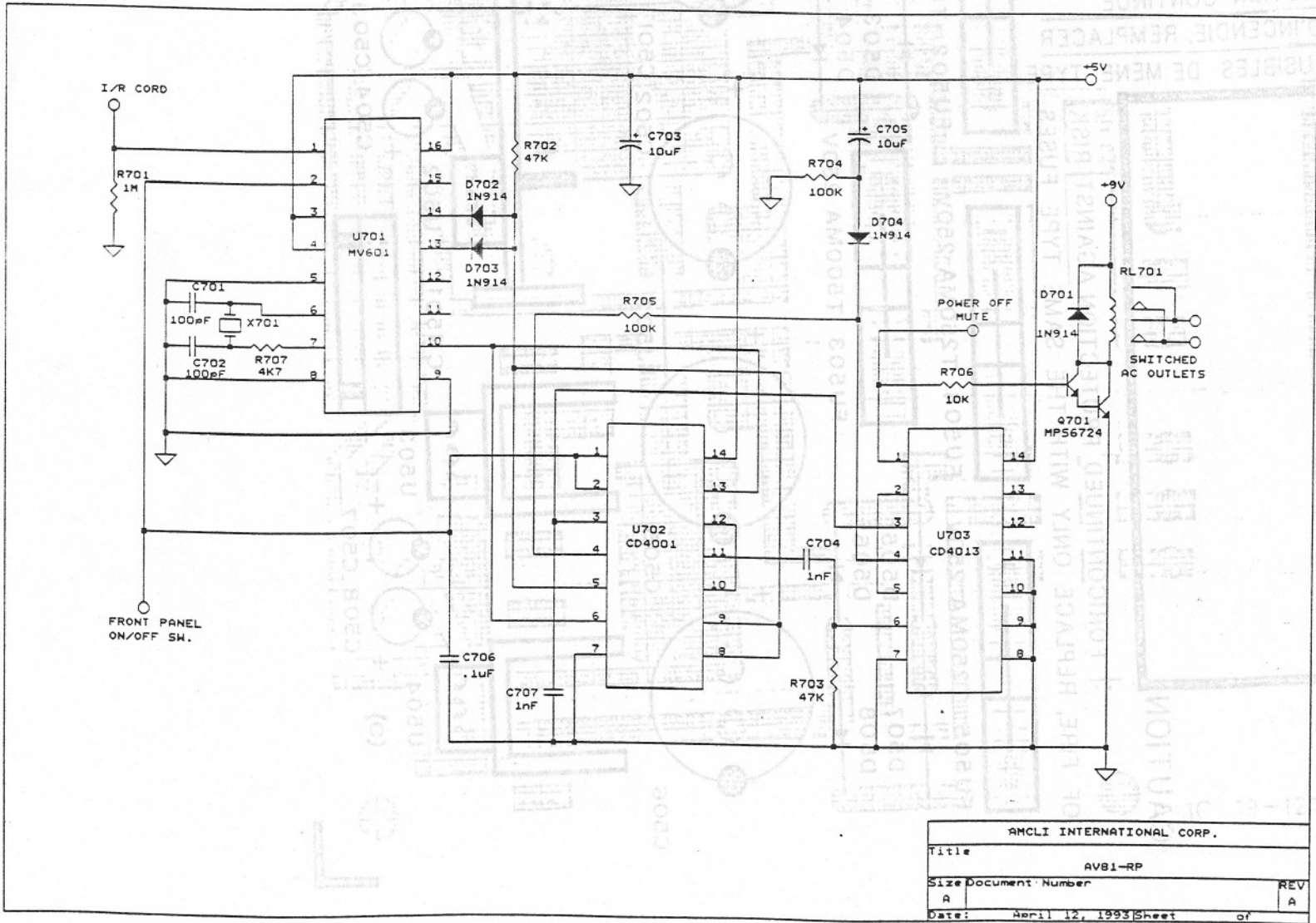
19-1218

5mm 134mm 275 mm 119mm 17mm 18mm

Component side

275 mm

8mm



AMCLI INTERNATIONAL CORP.	
Title	AV81-RP
Size Document Number	REV
A	A
Date: April 12, 1993	Sheet of

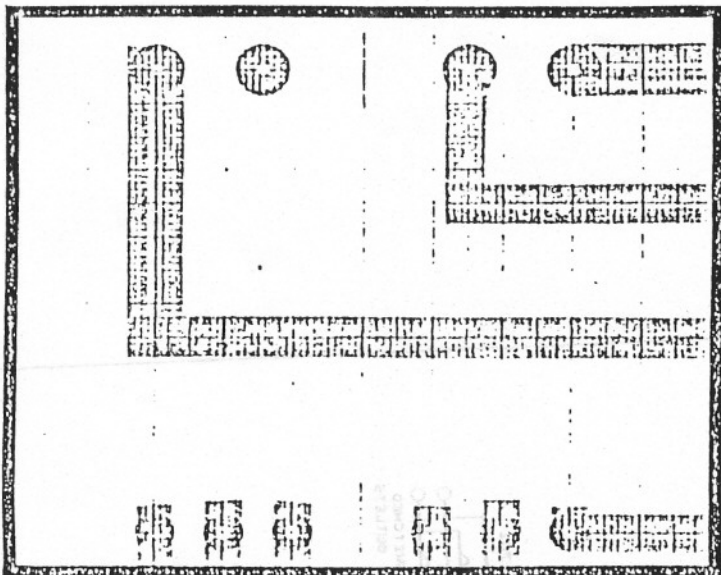
14

AMC 19-1212 S:SI-6: CI

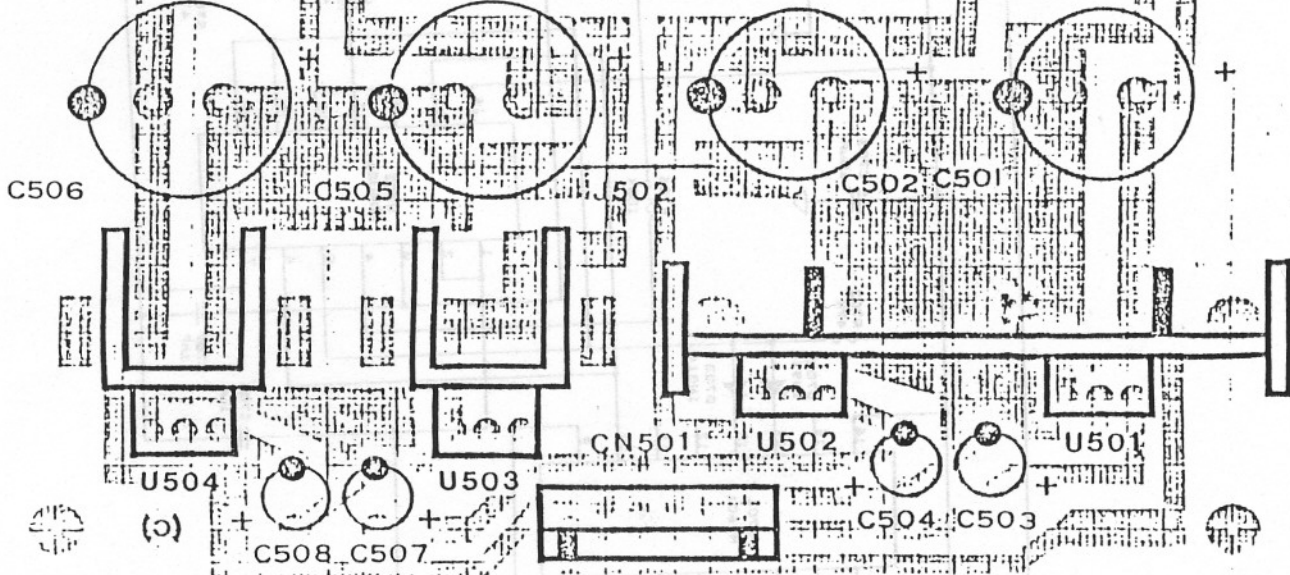
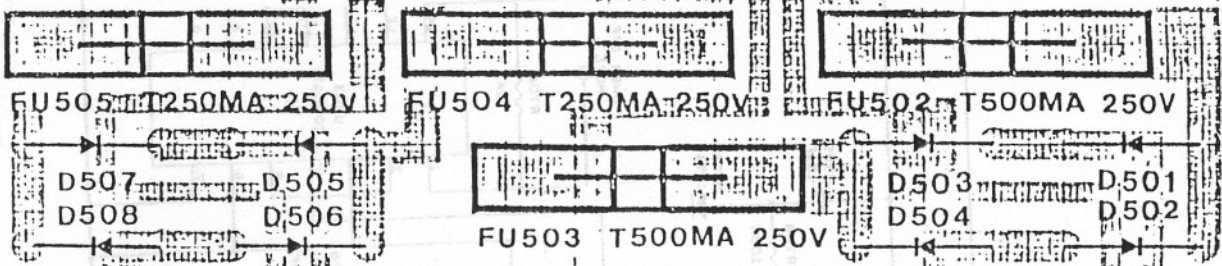
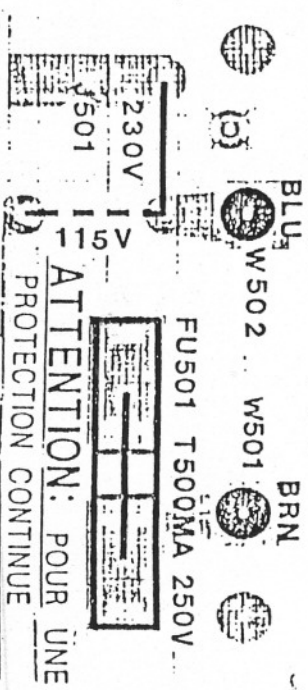
T501

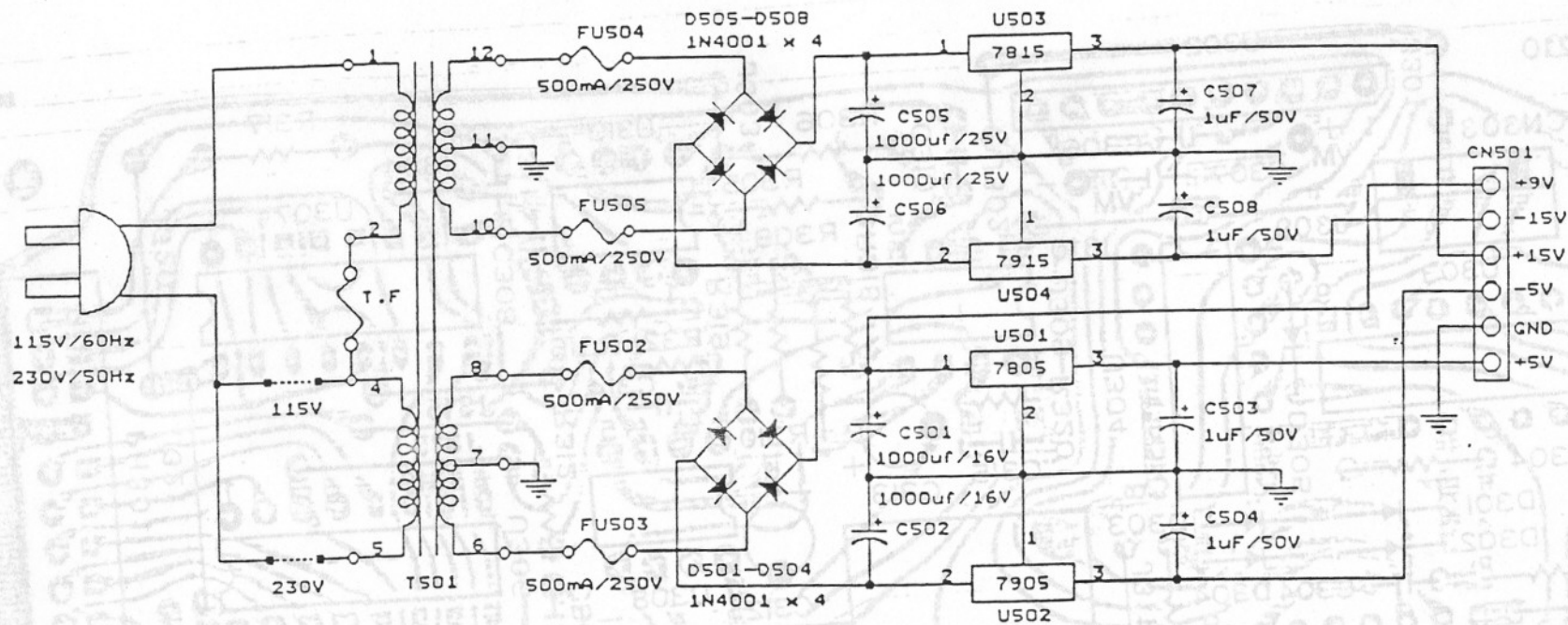
CAUTION

FOR CONTINUED PROTECTION AGAINST RISK OF FIRE, REPLACE ONLY WITH THE SAME TYPE FUSES.



UNIQUEMENT PAR LES FUSIBLES DE MENE TYPE
 CONTRE LES RISQUES D'INCENDIE, REMPLACER
 PROTECTION CONTINUE





AMCLI INTERNATIONAL CORP.

Title

S84/AV81-POWER SUPPLY

Size Document Number

REV

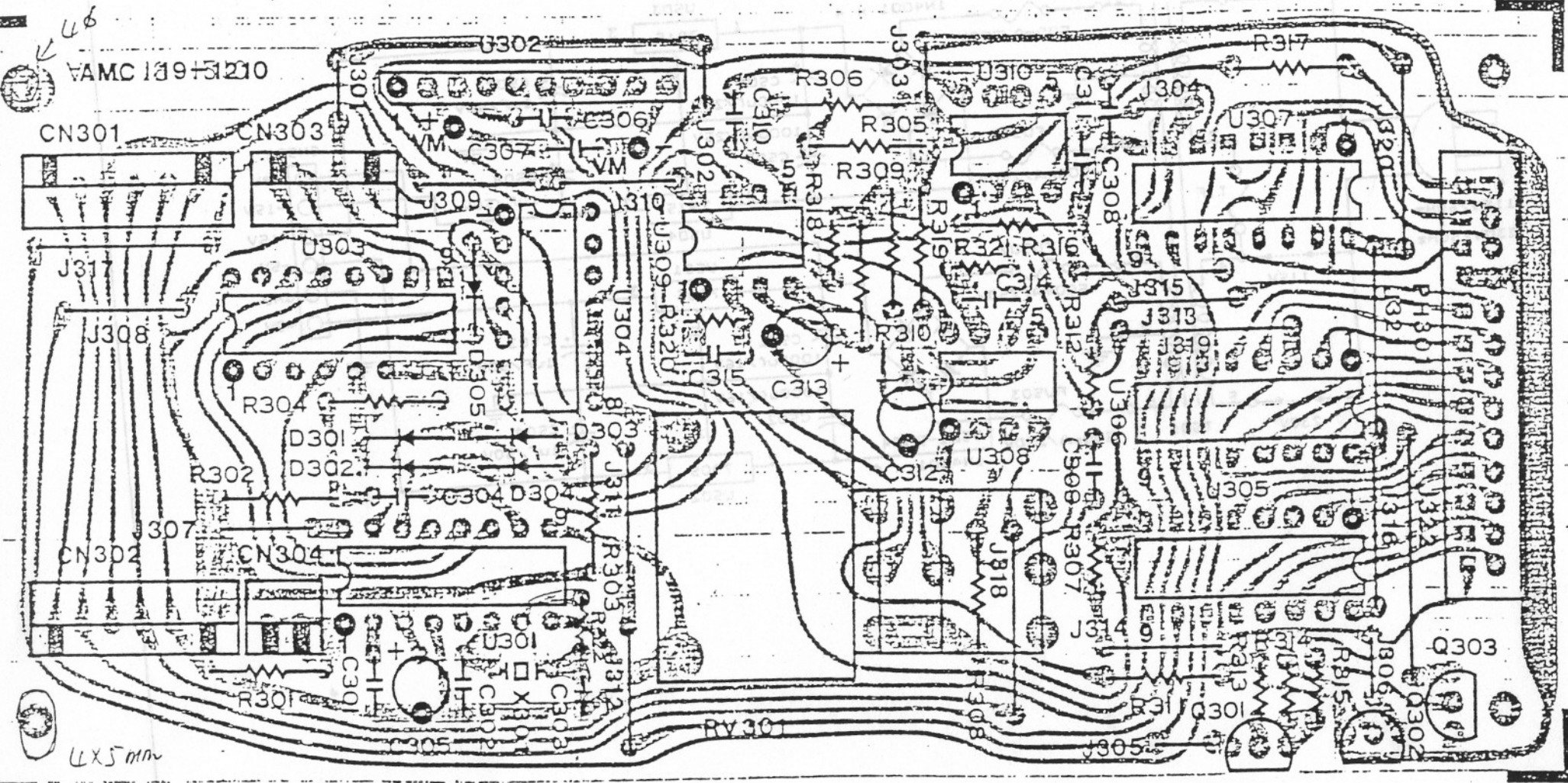
A

PO

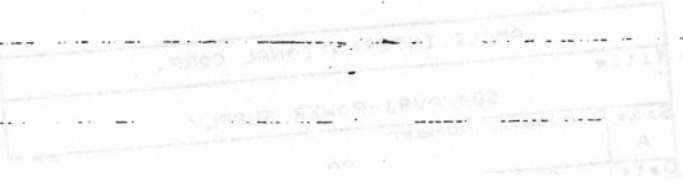
A

Date: October 14, 1992 Sheet of

1P-1210 零件圖 1/20



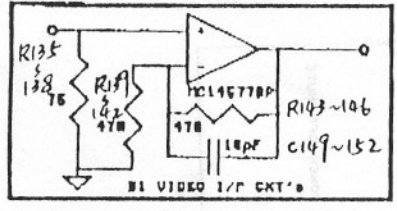
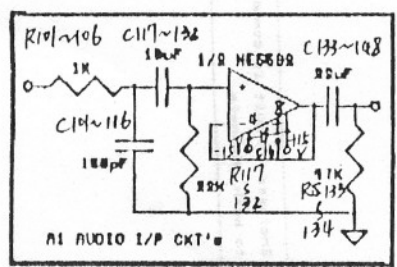
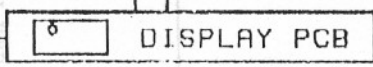
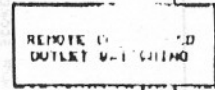
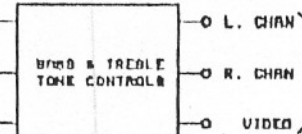
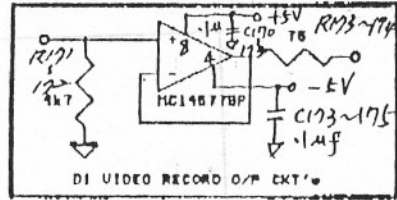
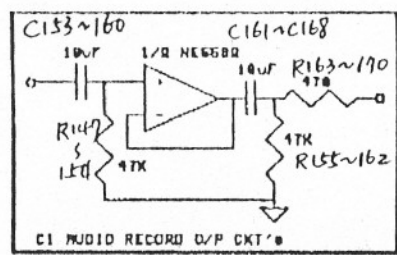
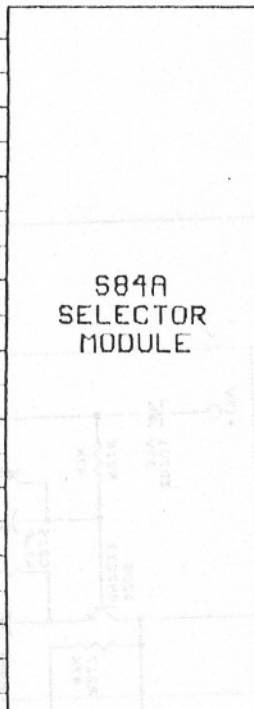
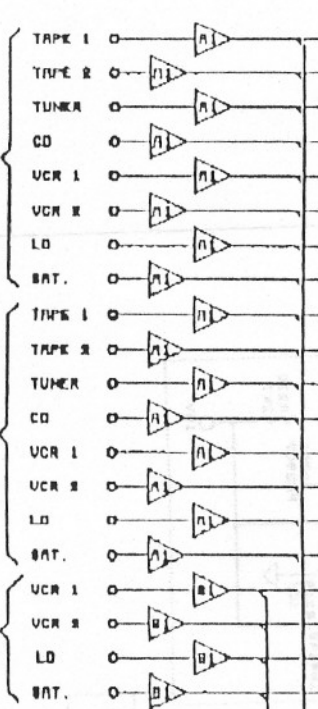
4x5mm



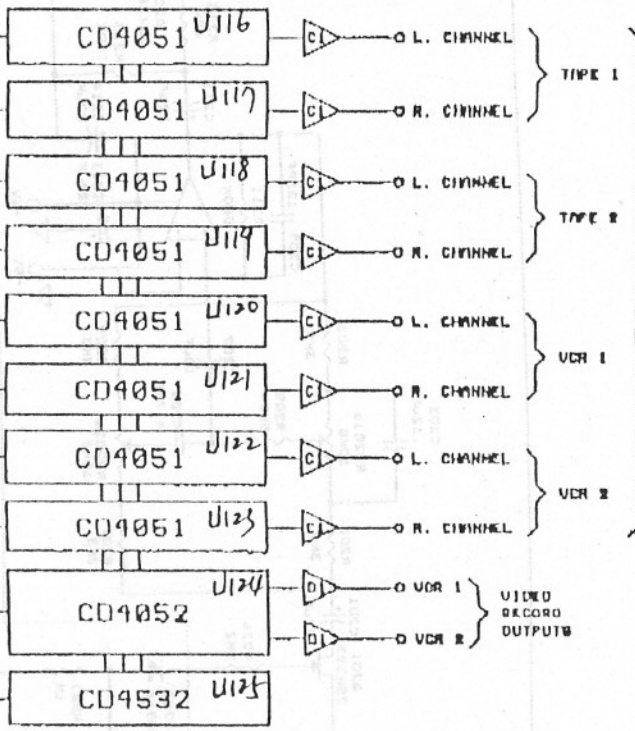
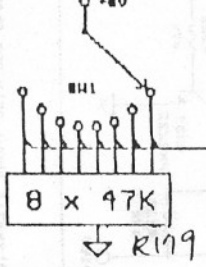
L. CHANNEL AUDIO I/P's

R. CHANNEL AUDIO I/P's

VIDEO I/P's



RECORD SELECTOR SWITCH



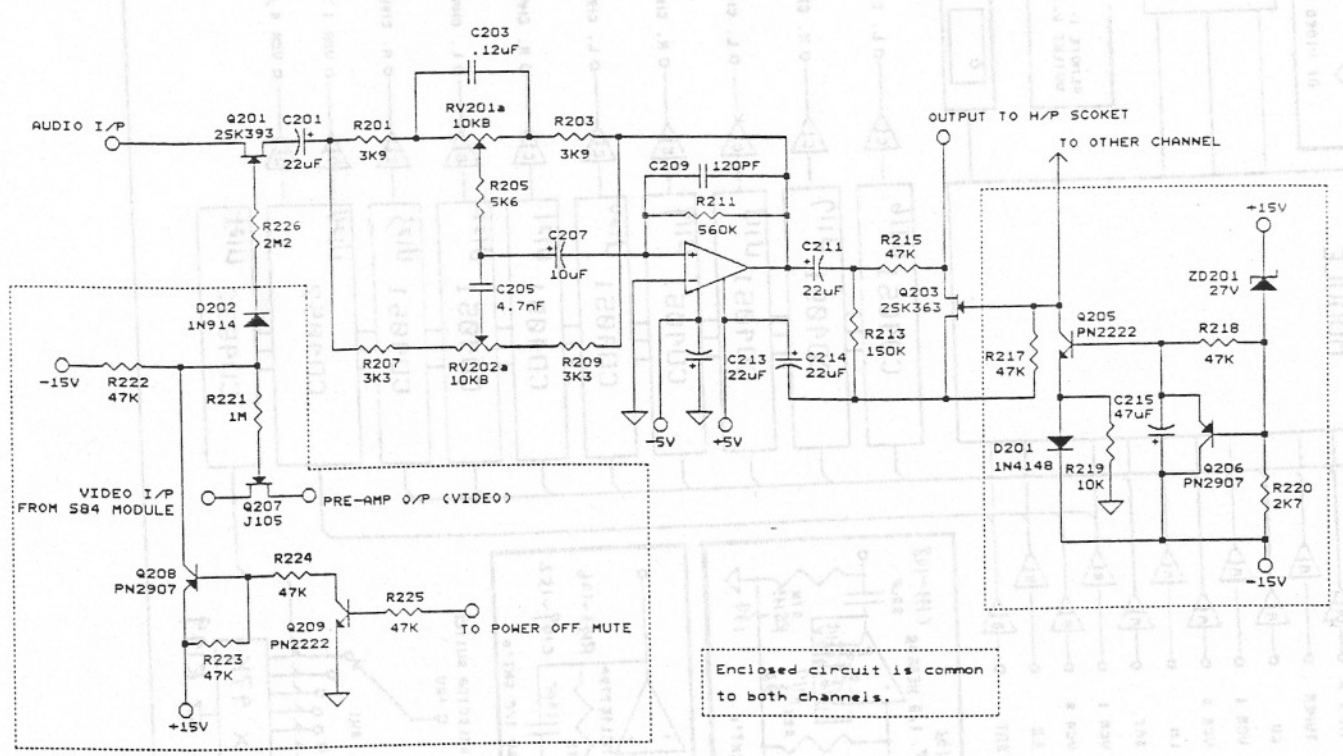
© HELTRONICS CORP.			
TITLE	PARALLEL BLOCK DIAGRAM	REV. E	
DOCUMENT NUMBER	PAR819		
DATE	11/22/1981	SHEET 1	OF 1

PRE-MIX OUTPUTS

AC OUTLETS

AUDIO RECORD OUTPUTS

VIDEO RECORD OUTPUTS

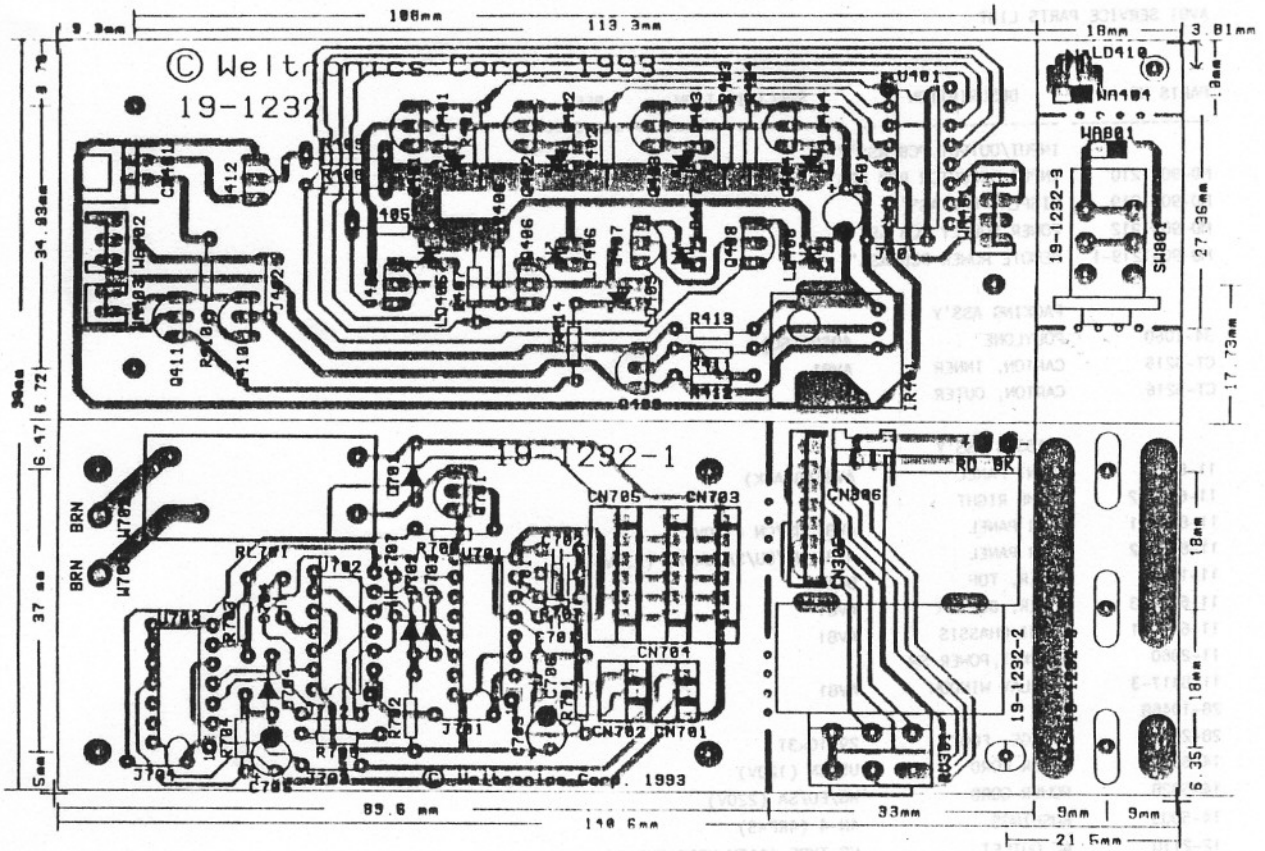


Enclosed circuit is common to both channels.

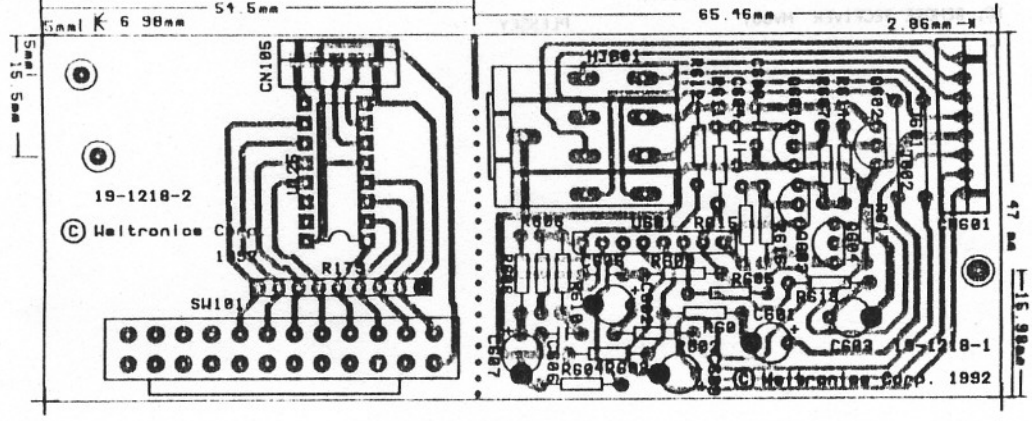
NOTE: This sheuatic shows only one channel of a stereo tone control circuit.

AMCLI INTERNATIONAL CORP.		
Title	- AV81 TONE CONTROL CCT.	
Size	Document Number	REV
A		C
Date:	April 12, 1993	Sheet of

COMPONENT SIDE



COMPONENT SIDE



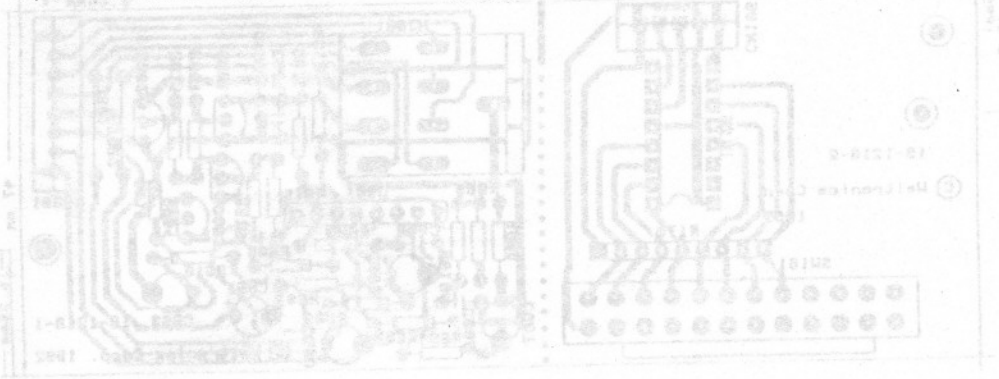
Amcli International Corp.

Division of the I.E.E.E. Group

P.O. Box: 43-181 Taipei Taiwan, R.O.C. Tel: 886-2-7001457, Fax: 886-2-7091059

AVB1 SERVICE PARTS LIST

PARTS NO.	DESCRIPTION	SPECIFICATION	REF.
	INPUT/OUTPUT PCB ASS'Y		
MD-90-1210	INPUT SELECTOR PCB ASS'Y		
MD-90-1219	DISPLAY PCB ASS'Y		
MD-90-1212	POWER SUPPLY PCB ASS'Y		
MD-90-1219-1	REMOTE POWER PCB ASS'Y		
	PACKING ASS'Y		
34-1060	POLYLONE	4050(T50)	
CT-5215	CARTON, INNER	AVB1	
CT-5216	CARTON, OUTER	AVB1	
	CHASSIS ASS'Y		
11-8428	FRONT PANEL	AVB1(BLACK)	
11-6125-2	FRAME RIGHT		
11-8429-1	REAR PANEL	AVB1 US/CN (120V)	
11-8429-2	REAR PANEL	AVB1 WG/EU/SA/UK/AS (230V)	
11-1123	COVER, TOP	BLACK	
11-6123-3	COVER, BOTTOM	AVB1	
11-6140-1	FRONT CHASSIS	AVB1	
11-2360	BRACKET, POWER SW		
11-8417-3	DISPLAY WINDOW	AVB1	
28-1046B	FOOT		
28-2074	SPONGE, FOOT	29x10x3T	
14-5027	POWER CORD	US/CN (120V)	
14-5028	POWER CORD	WG/EU/SA (220V)	
14-5003	BUSHINGS	4N-4 (4RF-5)	
12-2110	AC OUTLET	US TYPE (115V VERSION)x3	
12-2121	AC OUTLET	EU TYPE (230V VERSION)x1	
12-3151	KNOB, CONTROL	BASS/TREBLE/RECORD	
28-1049-1	CUSHION, CONTROL		
12-3152GN	BUTTON, POWER	GREEN	
13-8227B	BUSHING, POWER		
16-1S473J	RES., SIP	47Kx8 +/-5% 1W	
30-NE5532	IC, OPAMP	NE5532	SIGNETICS
30-TC4051BP	IC, C2MOS	TC4051BP	TSB/N.S
30-TC4052BP	IC, C2MOS	TC4052BP	TSB/N.S
30-1Z27VJ	DIODE, ZENER	27V	
30-2SK363GR	FET	2SK363 GR	
30-PN2222	TRANSISTOR	PN2222	N.S.
30-PN2907	TRANSISTOR	PN2907	N.S.
30-J105	JFET	J105	N.S.
29-4166	VR. 10KBx2	RK163121A320-10KBx2	FORWARD
31-1245	ROTARY SWITCH 1P/BW		CAMPLIN
30-TC4532BP	IC, C2MOS	TC4532BP	TSB/N.S
30-4011	CERAMIC RESONATOR	560KHz CSB560P	
30-MV601	IC, REMOTE RECEIVER	MV601	PLESSEY



Amcli International Corp.

Division of the I.E.E.E. Group

P.O. Box: 43-181 Taipei Taiwan, R.O.C. Tel: 886-2-7001457, Fax: 886-2-7091059

30-LB1645	IC, MOTOR DRIVER	LB1645	SANYO
30-TC4042BP	IC, C2MOS	TC4042BP	TSB/SGS
30-TC4013BP	IC, C2MOS	TC4013BP	TSB/SGS
30-TL072	IC, O.P.	TL072	JRC/SGS
30-MC14577AP	IC, O.P.	MC14577AP	MOTOROLA
29-4121-1	VR, W/MOTOR	RK16312M1001-20KBx2	ALPS
30-SE30021DT	DIODE, LED (3mm)	SE30021DT	GREEN SENIOR
30-SE30031DT	DIODE, LED (3mm)	SE30031DT	YELL SENIOR
30-SBX1610-52	INFRARED RECEIVER	SBX1610-52	RA SONY
30-2SA1015Y	TRANSISTOR	2SA1015Y	TSB
30-2SC1815Y	TRANSISTOR	2SC1815Y	TSB
31-1246	PUSH SWITCH	NON-LOCK	
30-1115	LED, POWER 3mm	GREEN CSL-300GIGT	
30-L7805	IC, REGULATOR	L7805	SGS/JRC
30-L7905	IC, REGULATOR	L7905	SGS/JRC
30-L7815	IC, REGULATOR	L7815	SGS/JRC
30-L7915	IC, REGULATOR	L7915	SGS/JRC
32S1250500TU	FUSE, 5x20 mm	T500mA,250V	TIME LAG UL/CSA
32S1250500TS	FUSE, 5x20 mm	T500mA,250V	TIME LAG SEMKO
29-2134	TRANSFORMER		MITSUMI
11-5072	HEATSINK	FOR U503,504	
11-5076	HEATSINK	FOR U501,502	
30-M5216L	IC	M5216L	
30-TC4001BP	IC, C2MOS	TC4001BP	TSB/SGS
30-MPS6724	TRANSISTOR	MPS6724	
35-3039	RELAY	VS-9MB TV-5	TAKAMISAWA

WELTRONICS CORP.
LONDON/L.A.