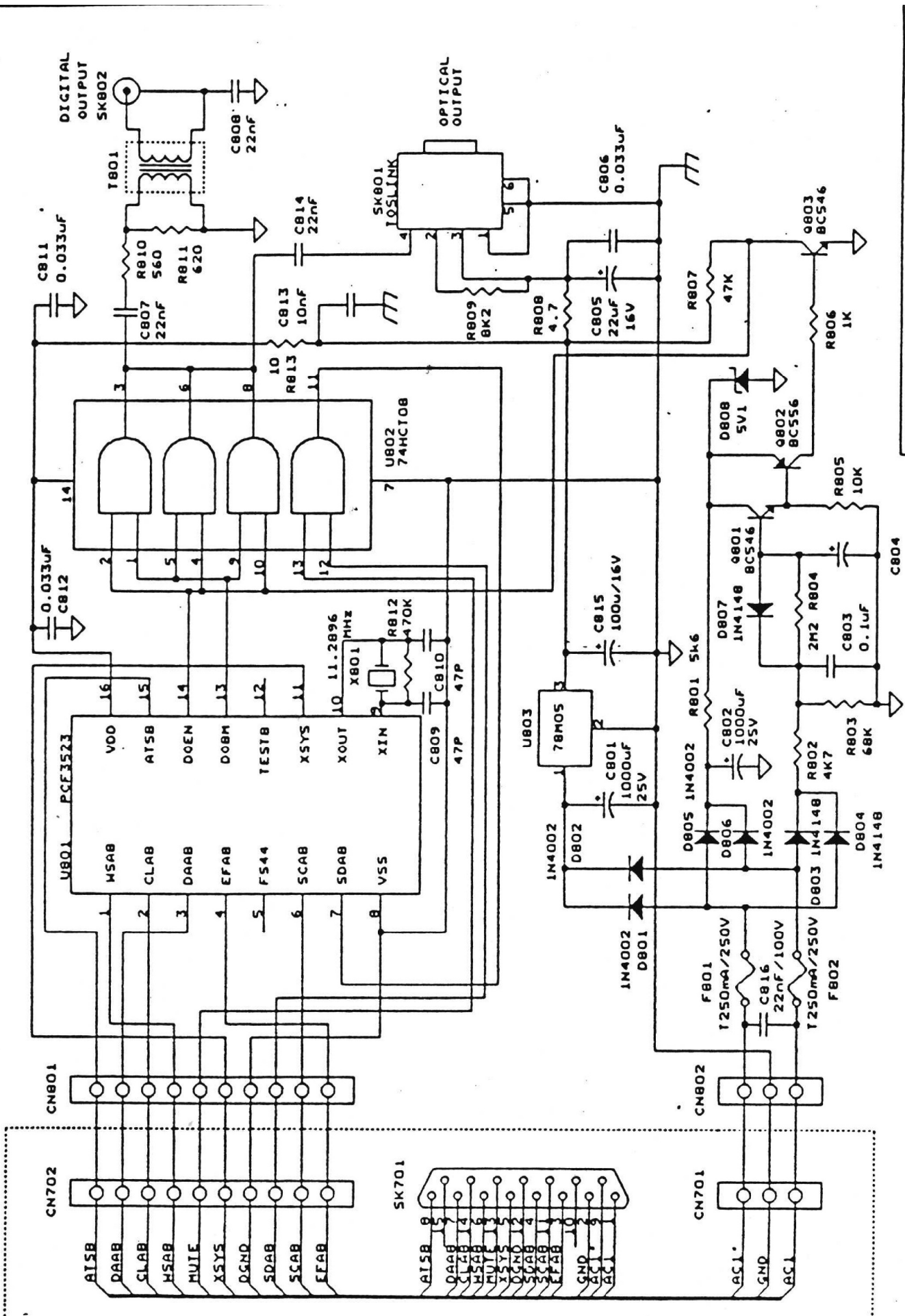


MAIN PCB SCHEMATIC DIAGRAM



Title		ANCLI INTERNATIONAL CORP.	
Size Document Number		MDS402 DIGITAL/OPTICAL OUT	
REV	A	40238191.5C	REV
Date:	April 14, 1994	Sheet	1 of 1

