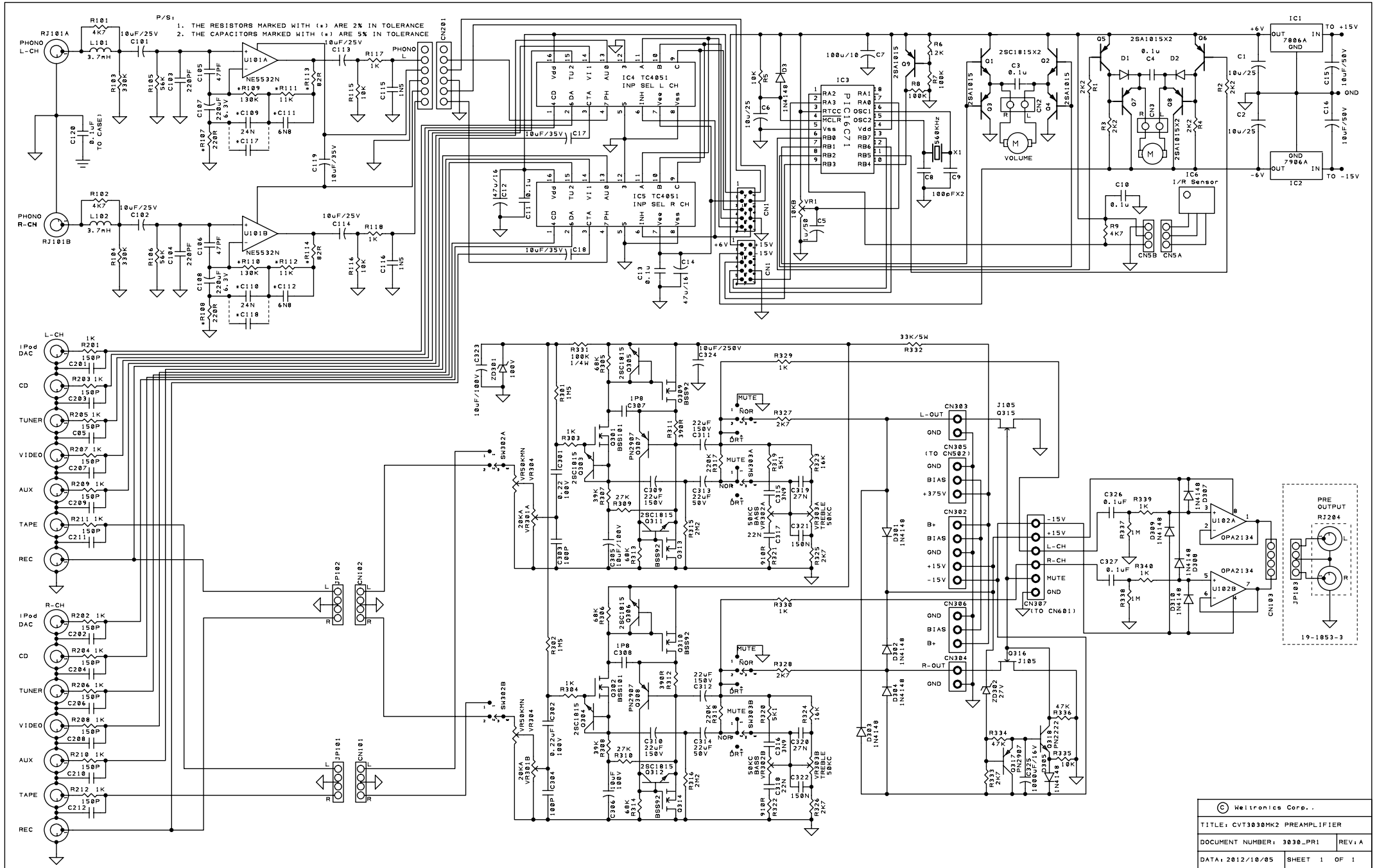


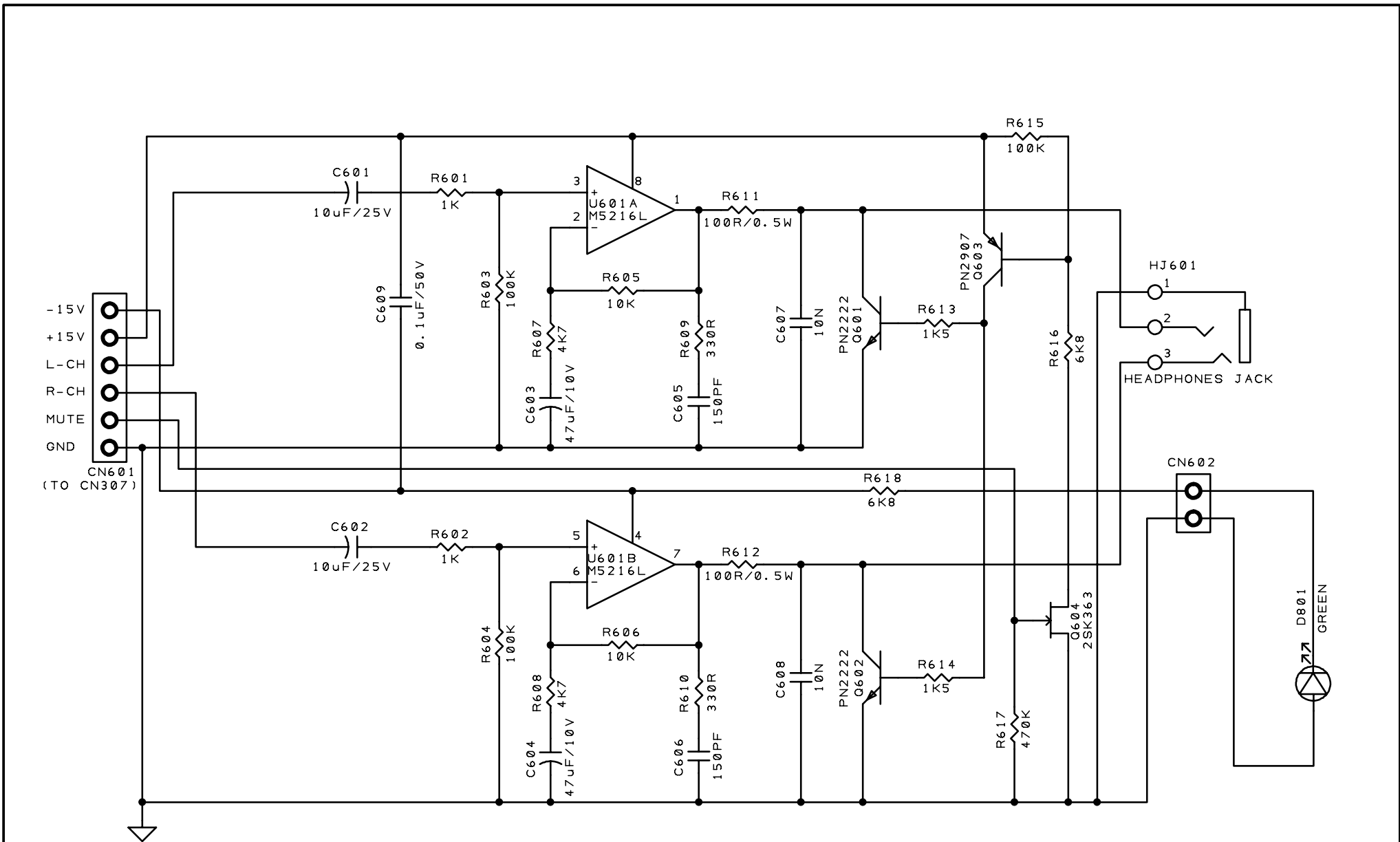
AMC

SERVICE MANUAL

CVT3030MKII

CCVT INTEGRATED AMPLIFIER





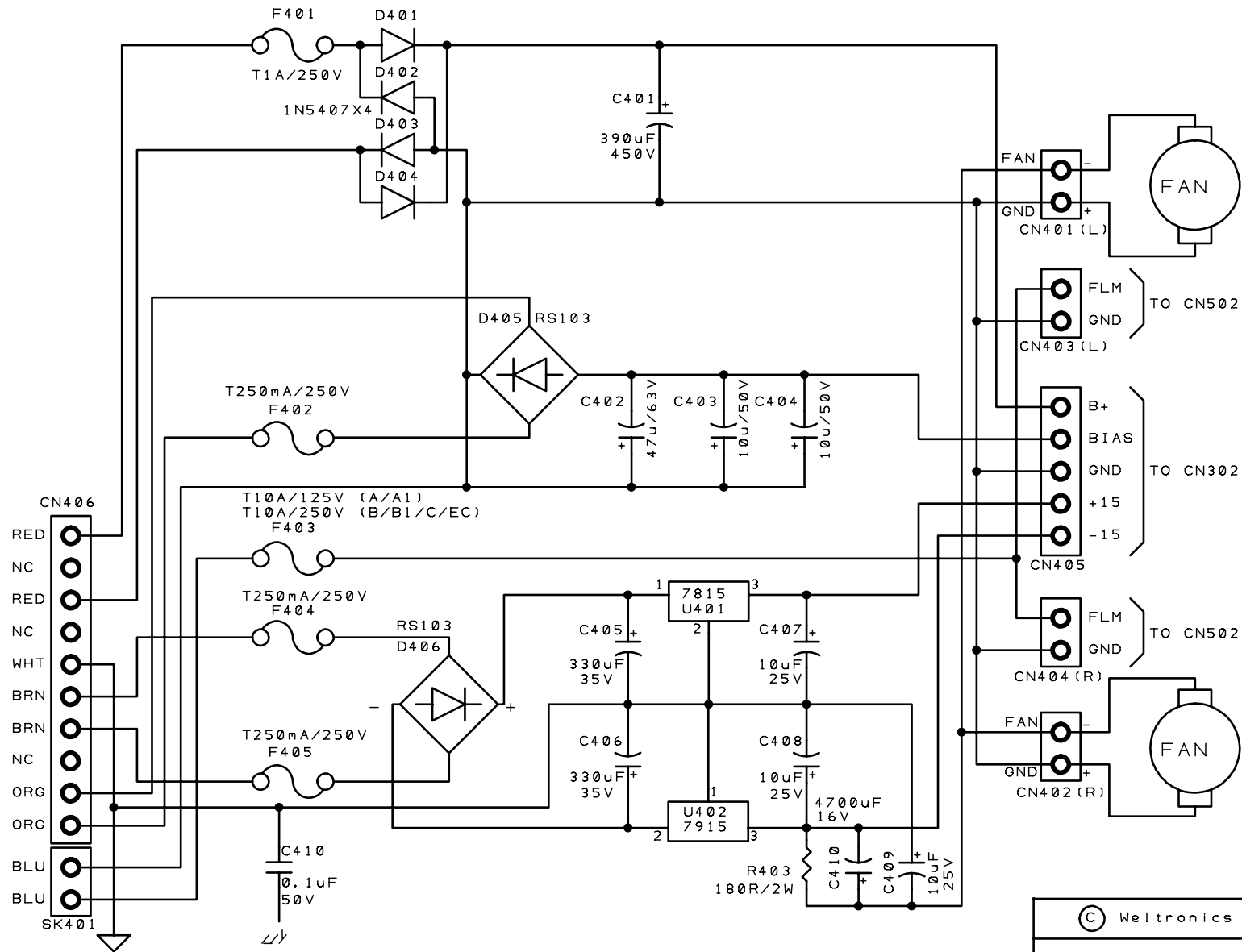
-15V
+15V
L-CH
R-CH
MUTE
GND
CN601
(TO CN307)

HJ601
1
2
3
HEADPHONES JACK

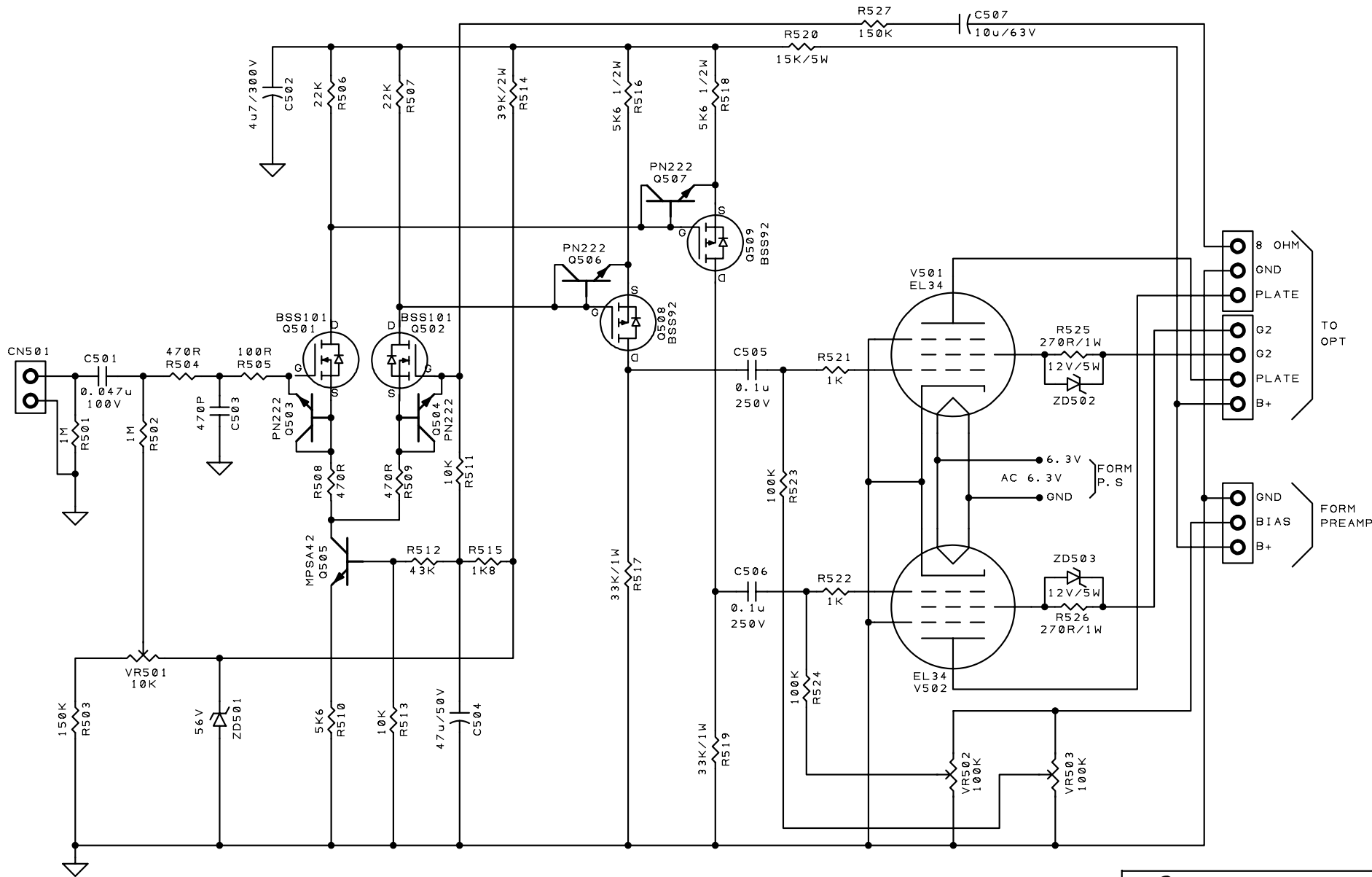
CN602

D801
GREEN

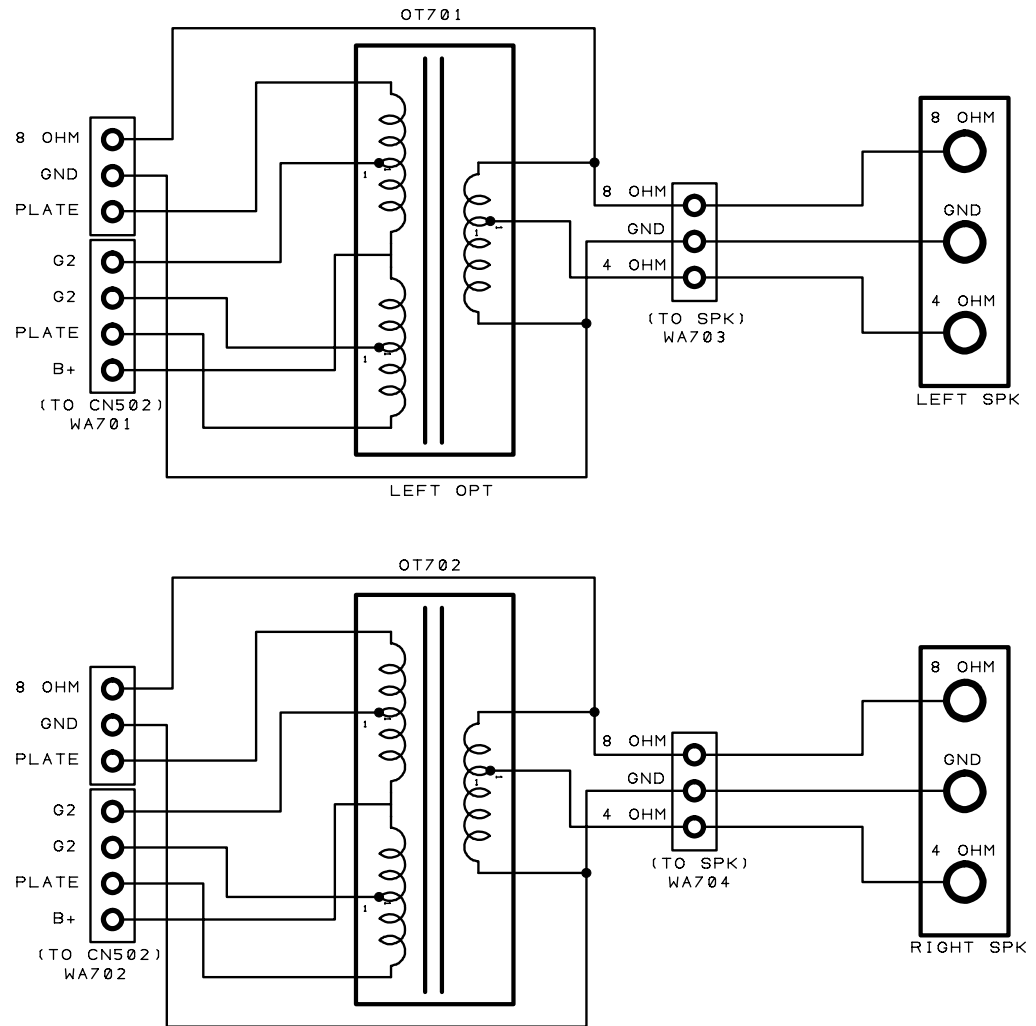
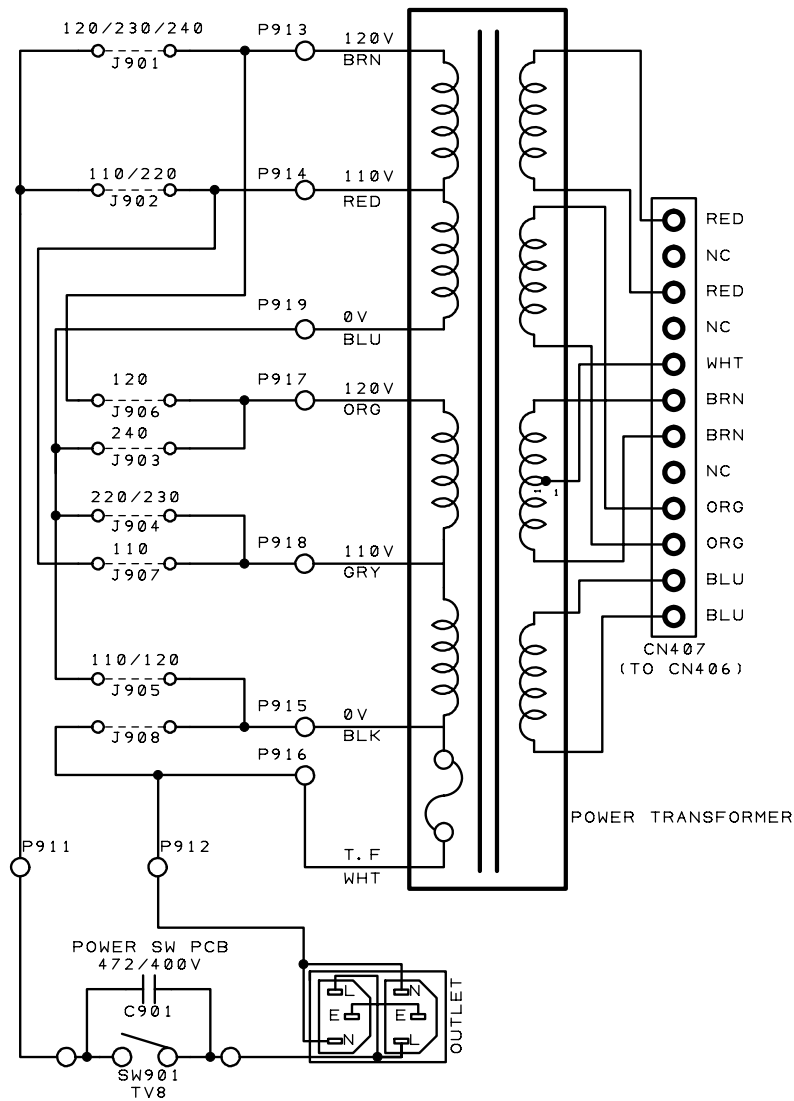
© Weltronics Corp. .	
TITLE: CVT3030MKII HEADPHONE AMP	
DOCUMENT NUMBER: 3030_HP1	REV: B
DATA: 2012/10/05	SHEET 1 OF 1



© Weltronics Corp.,	
TITLE: CVT3030MKII POWER SUPPLY	
DOCUMENT NUMBER: 3030_PS1	REV: A
DATA: 2012/10/05	SHEET 1 OF 1



© Weltronics Corp..		
TITLE: CVT3030MK2 POWER AMPLIFIER		
DOCUMENT NUMBER: 3030_AM1	REV:A	
DATA: 2012/10/05	SHEET 1	OF 1



© Weltronics Corp.,	
TITLE: CVT3030MKII MAINS & OPT	
DOCUMENT NUMBER: 3030_PT1	REV:A
DATA: 2012/10/05	SHEET 1 OF 1

CVT3030MKII SERVICE PART LIST - EC, BLACK

ITEM	PART NUMBER	Q'TY	LOCATION	PART DESCRIPTION	
1	90-1213A	1		POWER SUPPLY MODULE	CVT2030a/as/CVT3030a/as
2	19-1213A	1		PCB CVT3030a	
3	16-2AN560J	1	R403	RES MO 56 2W +-5% RSF2 MK	
4	17R-1.6EF478M	1	背焊	CAP.EL,4700uF/16V +-20%	
5	30-1116	2	D405.406	DIODE BRIDGE RS103 1A/Vrrm=200	
6	30R-1N5408	4	D401-404	DIODE 1N5408 3A/Vrrm=1000V GI	
7	30-LM7815A	1	U401.	IC.LM/AN/JRC/7815FA 1A(塑膠殼)	KIA7815PI/SGS
8	30-LM7915A	1	U402.	IC.LM/AN/JRC/7915FA 1A(塑膠殼)	KIA7915PI/SGS
9	90-1214As	2		TUBE/SOCKET POWER AMP MODULE	CVT2030as/CVT3030as
10	19R-1214-A	2		PCB CVT3030a	
11	16-1AN333J	4	R517.519.	RES MO 33K 1W +-5% RSF1 MK	
12	16R-2AN393J	2	R514.	RES MO 39K 5% 2W RSF2 MK RoHS	
13	16-5AN153J	2	R520.	RES MO 15K 5W +-5% RSF5 MK	
14	17R-35EF475M-L	2	C502.	CAP EL 4.7uF/350V 20% L-ESR	105度C, BLC4R7M2VG16VR6HMACH7
15	17R-25FL104J	4	C505.506.	CAP MP 100nF/250V +-5% (黃)	
16	29R-4195-W103	2	VR501.	VR 10K	
17	29R-4195-W104	4	VR502.503.	VR 100K	
18	30-BSS101	4	Q501.502.	TRANSISTOR BSS101	
19	30-BSS92	4	Q508.509.	TRANSISTOR BSS92	
20	30R-PN2222	8	Q503.504.506.507.	TRANSISTOR,NPN,PN2222A TAP	
21	30-MPSA42	2	Q505.	TRANSISTOR,NPN,MPSA42 TAP	
22	30R-5DZ12V	4	ZD502.503.	DIODE ZENER 12V 5W RoHS	
23	30-1Z56V	2	ZD501.	DIODE ZENER 56V 1W	
24	13R-8264	4		TUBES SOCKET 8P HK831P	CVT3030as/CVT2100as/CVT2030as
25	90R-1857	1		PRE&IO&PH&HP&OPT MODULE	CVT3030MKII
26	19R-1857	1		PCB PRE&IO&PH&HP&OPT FR4/2L	CVT3030MKII w314xh221.6mm
27	30R-1N4148	12	D1.2.3.301.302.303.304.305. 307.308.309.310.	DIODE SWITCH 1N4148 TAP RoHS	HITACHI/ROHM
28	30R-2SA1015L-GR	7	Q3.4.5.6.7.8.9.	TR PNP 2SA1015L-GR	50V 150mA 400mW TO-92 UTC
29	30R-2SC1815L-GR	8	Q1.2.303.304.305.306.311.312.	TR NPN 2SC1815L-GR	50V 150mA 400mW TO-92 UTC
30	16R-5AN333J	1	R332.	RES MO 33K 5% 5W RSF5 MK RoHS	
31	30R-1Z100V	1	ZD301.	DIODE 1W 100V	
32	30R-1Z27V	1	ZD302.	DIODE ZENER 27V/1W	
33	30R-BSS101	2	Q301.302.	TRANSISTOR BSS101	
34	30R-BSS92	4	Q309.310.313.314.	TRANSISTOR BSS92	
35	30R-J105	2	Q315.316.	TRANSISTOR J105 PJFET	
36	30R-PN2222	1	Q318.	TRANSISTOR,NPN,PN2222A TAP	
37	30R-PN2907	3	Q307.308.317.	TR NPN PN2907A TO92	MZC&M FAIRCHILD 600mA/60V
38	30R-C1202	1	IC3.	PIC16C711-04P DIP(已燒錄程式)	程式:3150MK2.HEX 標籤:C1202
39	30R-PIC-37043LM	1	IC6.	MODULE IR RECEIVER ROHS	PIC-37043LM KCTS
40	30R-LM7806A	1	IC1.	IC REGULATOR LM7806FA 1A RoHS	
41	30R-LM7906A	1	IC2.	IC REGULATOR LM7906FA 1A RoHS	
42	30R-4011	1	X1.	CER-RESONATOR 560KHz RoHS	
43	30R-OPA2134AP	1	U102.	IC OPA2134AP DUAL OPAMP Zpre	ANALOG DEVICES DIP8
44	17R-1.6EF108M	1	C325.	CAP.EL,1000uF/16V +-20%	
45	29R-4212*A	1	VR301.	VR WITH MOTOR 20K15Ax2	3100MKII RD16312MC162-20K15Ax2
46	29R-4167	2	VR302.303.	VR 50Kx2 BASS/TREBLE CVT3030	
47	29R-4213	1	VR1.	VR/MOTOR 10KBx2 RoHS	
48	29R-4244	1	VR304.	BALANCE VR 20K MNx2	CVT3030MKII
49	31R-1241	1	SW302.	SW ROTARY SRRZS42N01-EK RoHS	RS003-A042 Dgc-15K3Q
50	31R-1247	1	SW303.	SW ROTARY 4P3T RoHS	
51	16R-1:6CA102J	12	R201-212.	RES CF 1K 5% 1/6W TAP RoHS	
52	12R-2192G	2	RJ201.203.	RCA JACK 4P CPS-054GA-H 鍍金	
53	12R-2193G	1	RJ202.	RCA JACK 6P CPS-056GA-H 鍍金	
54	30R-TC4051BP	2	IC4.5.	IC TC4051BP	
55	12R-2213G-2	1	RJ204.	JACK RCA 2P G-PLATED RoHS	DTR-0202HG-004(W-R) DIHTAIN M6
56	R32S2016-2	2	FU901.	FUSE HOLDER CQ-203P(CQ) RoHS	功得 10A 5mm EAR TYPE
57	16R-1:2CA101J	2	R611.612.	RES CF 100 1/2W +-5% 52mm TAP	
58	30R-J309	1	Q604.	TR FET J309 N-CH RF AMP RoHS	
59	30R-M5216L	1	U601.	IC OP AMP M5216L	
60	30R-PN2222	2	Q601.602.	TRANSISTOR,NPN,PN2222A TAP	
61	30R-PN2907	1	Q603.	TR NPN PN2907A TO92	MZC&M FAIRCHILD 600mA/60V
62	12R-2148	1	HJ601.	HEADPHONES JACK 3P GOLD-PLATED	
63	12R-2141	1	RJ101.	JACK RCA 2P 14mm GOLD-PLATED	CVT3030MKII GMS-042GA-92 GOAMA
64	29R-1089	2	L101.102.	COIL TORIC 3.7mH CVT2030	
65	30R-NE5532	1	U101.	IC NE5532N DUAL OPAMP RoHS	PHILIPS
66	31R-1240-1	1	EA CVT3030MKII	POWER SWITCH TV8 (U1D1) RoHS	COMMON PARTS
67	CVT3030MKII-COM	1		COMMON PARTS	CVT3030MKII

68	11R-6146*B	1		MAIN CHASSIS	CVT3030MKII w420xh85.2xd279.4
69	11R-6149-1	1		CHASSIS FRONT	CVT3030MKII w417.6xh99.3xd9mm
70	11R-6150	1		CENTER BRACKET L 左中間支架	CVT2030a/3030a/2445
71	11R-6151	1		BRACKET CENTER RoHS	A2100
72	11R-8679B-2	1		PANEL FRONT BLACK	CVT3030MKII w430xh112xd20mm
73	11R-8419-1B	1		PANEL FRONT AUX. AL.	CVT3030MKII w334xh85xd3.5mm
74	11R-6467	2		BRACKET TUBE	CVT3030MKII w117.5xh100xd105
75	11-9064	2		FAN GUARD CVT3030	
76	12R-2195-3	4		BINDING POST RED 1P W/STOPPER	A3150/2N100 N-C-00325
77	12R-2195-4	2		BINDING POST BLK 1P W/STOPPER	A3150/2N100 N-C-00324
78	12R-3167	1		KNOB VOLUME RoHS BLK	306dB
79	12R-3151	6		KNOB CONTROL RoHS BLK	306dB
80	12R-3152GN	1		POWER SW BUTTON GREEN RoHS	AMC
81	13R-8227B	1		POWER KNOB BUSHION RoHS	AMC
82	29-2136	1		X'FORMER CVT3030	
83	29-6114	2		DC FAN 12V CVT3030	
84	50R-1038-1	1		CABINET BLACK RoHS	CVT3030/A2445
85	29-2139	2		O.P.T. CVT3030	
86	30-5001*A	4		VACUUM TUBE EL-34EH	CVT3030MKII 800V Pd=25W
87	28R-1046-1B	2		FOOT (R) H=17mm BLK RoHS	AMC
88	28R-1046-2B	2		FOOT (L) H=17mm BLK RoHS	AMC
89	13R-1070	1		LENS IR	CVT3030MKII 16x4mm
90	30R-1148-1	1		LED SUPER BLUE 3mm L034SBLD	ALL 470nm PD=85mW ROUND LENO
91	RC-0041-2	1		REMOTE CONTROL UNIT	
92	RN12B14I2.OSL	1		NUT M12 T-2.0 BLK RoHS	TAPPING SCREW T3*4SL 黒
93	R32S12501K0TUSP	1		FUSE UTE T1A/250V RoHS	T-LAG (UL/CSA/VDE/PSE) 5x20mm
94	CVT3030MKII-EC	1		VER PARTS	CVT3030MKII
95	11R-8420-6	1		PANEL REAR 230V	CVT3030MKII w420xh107.6xd11mm
96	12R-2115	1		AC IN/OUT LET PUSH-IN 3P RoHS	0712-POG
97	14R-5030*B	1		POWER CORD EC 3P 1.53M BLK	EL211+EL701 H05VV-F 0.75/3C
98	R32S125010KTUS	1		FUSE UTE T10A/250V RoHS	T-LAG (UL/CSA/VDE) 5x20mm
99	R32S12502K0TUSP	1		FUSE UTE T2A/250V RoHS	T-LAG (UL/CSA/VDE/PSE) 5x20mm
100	R32S1250250TUS	1		FUSE USL T250mA/250V RoHS	T-LAG (UL/CSA/VDE)
101	R32S1250500TUS	2		FUSE UTE T500mA/250V RoHS	T-LAG (UL/CSA/VDE) 5x20mm