

AMC

SERVICE MANUAL

DAC8

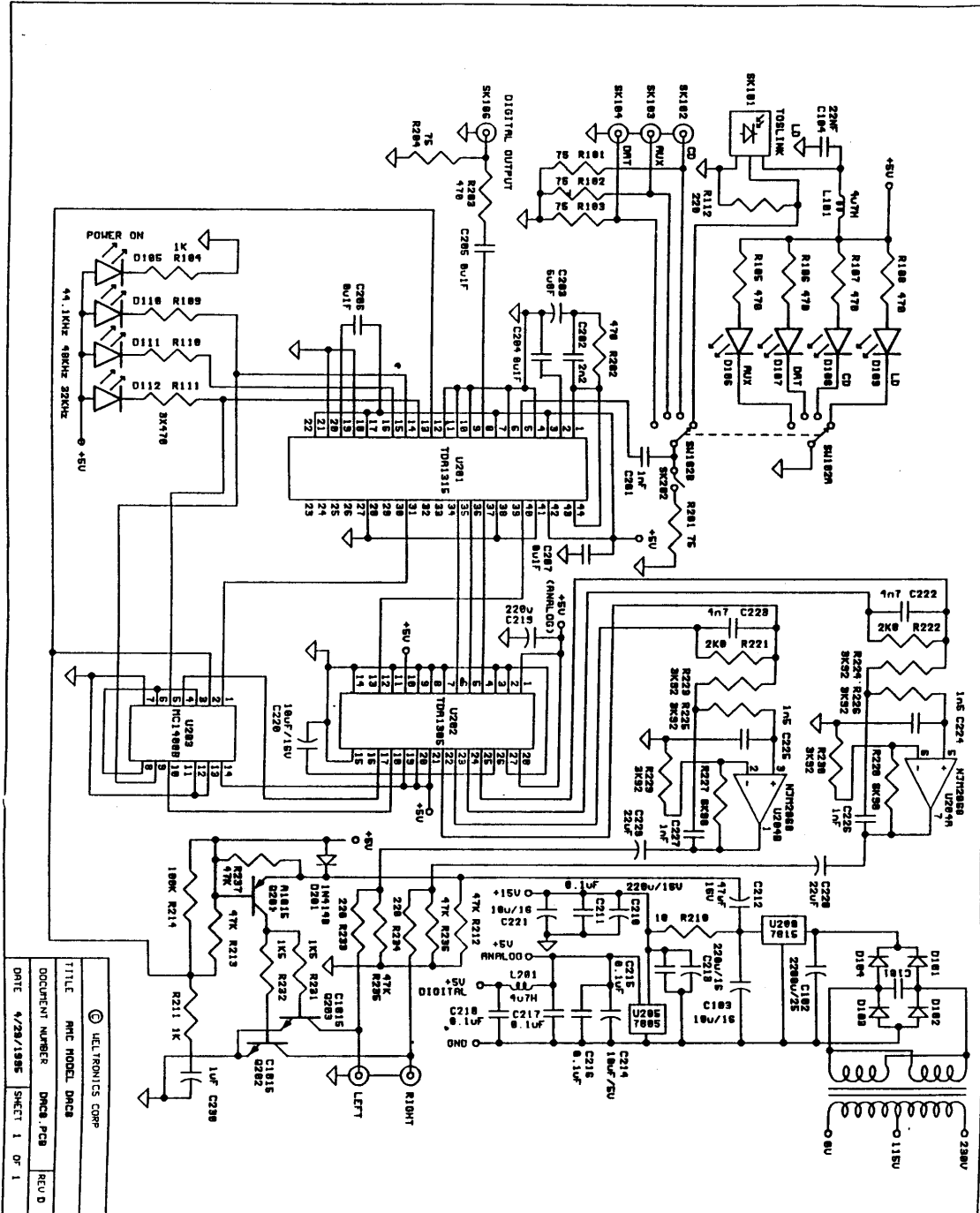
DIGITAL TO ANALOGUE CONVERTER

SPECIFICATIONS

THD 20 Hz - 20kHz and SMPTE IMD	0.005% A-WTD at 2Vrms
Signal to Noise Ration	104dB "A" wtd
Ouput Level	2V rms
Frequency Response	20 - 20 khz, +- 0.3dB
Channel Separation	90 dB
Resolution	18 bits
Linearity up to -90 dB	+- 0.5 dB
Input automatically locked to 32K, 44.1K and 48KHz SPDIF digital signals.	
Dimensions (W x H x D)	430 x 82 x 300 mm

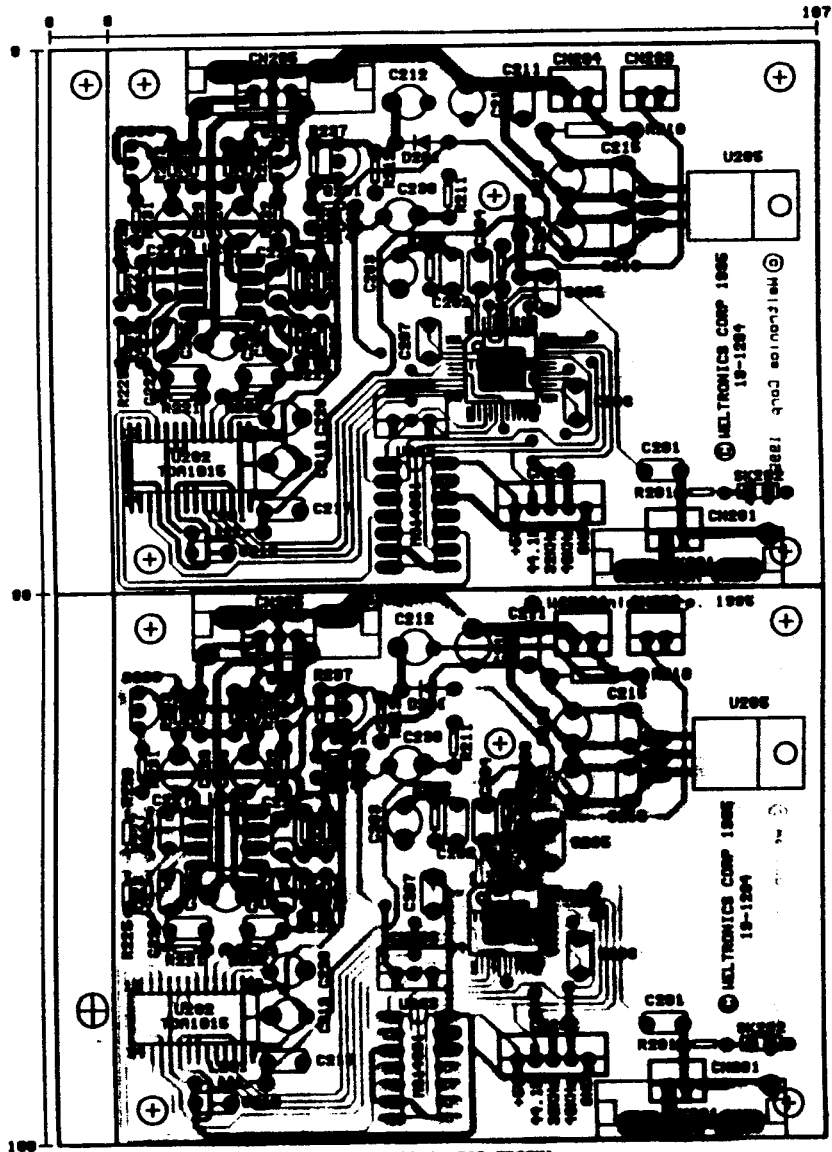
Weltronics Corp. reserved the right to improve its products at any time. There for, specifications are subject to change without notice.

SCHEMATIC DIAGRAM



JELTRONICS CORP	
TITLE	REC MODEL DMC8
DOCUMENT NUMBER	DMC8 PCB
DATE	4/28/1985
SHEET	1 OF 1
REV D	

DAC PCB LAYOUT(MD90-1284)



(UNIT-101)

LAYER 0: TOP TRACK
 LAYER 1: BOTTOM TRACK
 LAYER 2: BOTTOM RESIST
 LAYER 3: DRILL HOLE

LAYER 4: TOP TRACK
 LAYER 5: TOP TRACK (NEGATIVE)
 LAYER 6: TOP RESIST

SERVICE PARTS LIST OF DAC8			
PARTS NO	DESCRIPTION	QTY	LOCATION
MD90-1283	DISPLAY AND I/O PCB A'SSY		
17-2.5EF228M	EL CAP 2200uF/25V +-20%	1	C102
17-1.6ER227M	EL CAP 220uF/16V +-20%	1	C103
17-5DR223Z	CE CAP 0.022uF/50V +80-20%	1	C104
17-4OCR472M	AC CAP 4700P/400V +-20%	1	C108
12-1087-2WT	2P SOCKET	2	CN101,102
14-1238	WIRE ASSY 110mm 3P	1	CN103
12-1102-10	PIN HEADERS 10P (5Px2)	2	CN104,109
14-1241	WIRE ASSY 100mm 2P	2	CN105,CN106
14-1243	2P WIRE/TML 200mm	1	CN108
14-1242	WIRE ASSY 100mm 2P	1	CN110
14-1239	WIRE ASSY 110mm 5P	1	CN111
30-1N4002	DIODE 1N4002	4	D101-104
30-SE2021	LED GREEN 1x6 5mm(CSL-200G1DT)	4	D105,110,111,112
30-1115*A	LED GREEN 3mm (L=20mm)	4	D106-109
32S1250250TS	FUSE T250MA 250V (SEMEK) EC	1	F201
32S1250500TU	FUSE T500MA 250V (UL/CSA) A1	1	F201
32S2016	FUSE HOLDER 5.2mm	2	F201<->F201
13-8244-6	SPACER FOR LED 8mm	1	FOR D105
13-8244-15	SPACER FOR LED 15mm	4	FOR D106-109
13-8244-12	SPACER FOR LED 12mm	3	FOR D110-112
11-5082-1	HEAT SINK (W=15 H=35mm)	1	FOR U200
29-1114	CHOKE 4u7H	1	L101
19-1283	DISPLAY PCB	1	PCB
16-1/6CA750J	CAB RES 1/6W 75 +-5%	3	R101-103
16-1/6CA102J	CAB RES 1/6W 1K +-5%	1	R104
16-1/6CA471J	CAB RES 1/6W 470 +-5%	7	R105-111
16-1/6CA221J	CAB RES 1/6W 220 +-5%	1	R112
12-2171	TOSLINK (TOSHIBA) RX176	1	SK101
12-2175	1P RCA JACK	3	SK102 SK103 SK104
12-2169	BNC JACK	1	SK105
12-2174	2P RCA JACK	1	SK106
31-1213	POWER SW TV-3	1	SW101
31-1262	PUSH SW 4P SPEC42NB08-EK	1	SW102
30-LM7815A	REGULATOR IC L7815CV	1	U200
MD90-1284	DAC PCB A'SSY		
17-5FR222J	CAP,POLYSTER 0.0022uF/50V+-5%	1	C202
17-1.5OR685G	CAP, TAN 6.8uF/16V +-2%	1	C203
17-1.6ER476M	CAP, EL, 47uF/16V +-20%	1	C212
17-1.6ER227M	CAP, EL 220uF/16V +-20%	4	C213,214,210,219,
17-5DR104Z	CAP, CC, 0.1uF/50V +80-20%	9	C218,217,216,215,211,204,205,206,207
17-1.6ER106M	CAP, EL 10uF/16V +-20%	2	C221,220
17-5FR472J	CAP,POLYSTER 0.0047uF/50V+-5%	2	C222,223
17-5FR152J	CAP,POLYSTER 0.0015uF/50V+-5%	2	C224,225
17-5FR102J	CAP,POLYSTER 0.001uF/50V+-5%	3	C226,227,201
17-1.6ER226M	CAP, EL, 22uF/16V +-20%	2	C228,229
17-1.6ER105M	CAP, EL 1uF/16V +-20%	1	C230
12-1087-2WT	2P SOCKET	3	CN201,203,204
12-1087-5WT	5P SOCKET	1	CN202
12-1087-3WT	3P SOCKET	1	CN205
30-1N4148	DIODE 1N4148	1	D201
29-1114	CHOKE 4u7H	1	L201
19-1284	D/A PCB	1	PCB
30-2SA1015Y	TR, 2SA1015Y	1	Q201
30-2SC1815Y	TR, 2SC1815Y	2	Q202,203
16-1/6CA750J	CARBON FILM RES, 1/6W 75 +-5%	2	R201,204
16-1/6CA471J	CARBON FILM RES, 1/6W 470 +-5%	2	R202,203,

SERVICE PARTS LIST OF DAC8			
PARTS NO	DESCRIPTION	QTY	LOCATION
16-1AN100J	RES 10 +5% 1W MTL OXIDE (MINI)	1	R210
16-1/6CA102J	CARBON FILM RES, 1/6W 1K +5%	1	R211
16-1/6CA473J	CARBON FILM RES, 1/6W 47K +5%	5	R212,213,235,236,237.
16-1/6CA104J	CARBON FILM RES, 1/6W 100K +5%	1	R214
16-1/6CA202J	CARBON FILM RES, 1/6W 2K +5%	2	R221,222
16-1/6MA3921F	METAL FILM RES, 1/6W 3K92 +-1%	6	R223,224,225,226,229,230
16-1/6MA6981F	METAL FILM RES, 1/6W 6K98 +-1%	2	R227,228,
16-1/6CA152J	CARBON FILM RES, 1/6W 1K5 +5%	2	R231,232
16-1/6CA221J	CARBON FILM RES, 1/6W 220 +5%	2	R233,234
12-1102-2	PIN HEADERS 2P	1	SK202
30-TDA1315H	CHIP IC TDA1315H PHILIPS	1	U201
30-TDA1305T	CHIP IC TDA1305T PHILIPS	1	U202
30-TC4081	SWITCH IC TC4081/CD4081BE	1	U203
30-NJM2068	OP AMP NJM2068/JRC2068D	1	U204
30-LM7805A	REQUERATOR IC L7805CV	1	U205
DAC8-COM			
	CHASSIS AND PACKING A'SSY		
11-1123-1	TOP COVER	1	
11-6182-2	MAIN CHASSIS	1	
11-6188-1	FRONT CHASSIS	1	
11-8417-5	DISPLAY WINDOON	1	
11-8524	REAR PANEL	1	
11-8525	FRONT PANEL	1	
12-1083	POWER LINK	1	
12-3110	PUSH BUTTON (BLK)	4	
12-3152GN	POWER BUTTON (GRN)	1	
13-8227B	POWER BEZEL	1	
13-8232BK	PCB SUPORT 12.7mm (BLK)	4	
14-5003	BUSHING 4N-4	1	
14-5028	POWER CORD (230V VERSION)	1	
14-5027	POWER CORD SPT-2 (115V VERSIO	1	
14-1240	WIRE ASS'Y 250mm 10P (5Px2)	1	CN104<->CN109.
21-4084	I/MANUAL	1	
26-0016	POLYBAG	1	I/MANUAL
26-0018	POLYBAG	1	POWER CORD
26-3855	POLYBAG	1	UNIT
28-1046-1B	FOOT L	2	
28-1046-2B	FOOT R	2	
28-2074	SPONGE FOOT 29x10x3T	4	
29-2157	X'MER 115/230V	1	
34-1060	POLYLONE	2	
CT-5264	I/CARTON	1	
CT-5265	QCARTON	0.25	