

AMC

SERVICE MANUAL

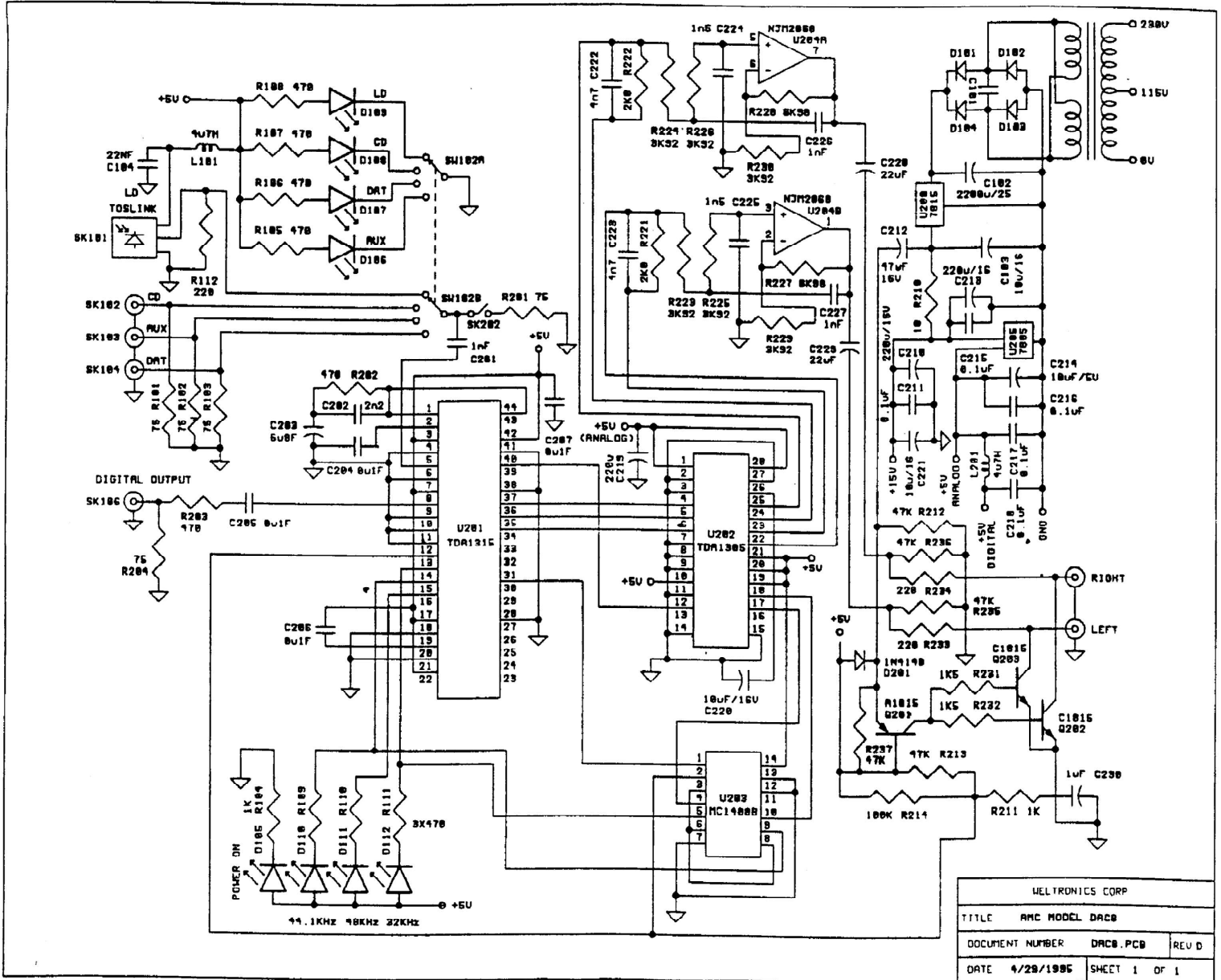
DAC8

DIGITAL TO ANALOGUE CONVERTER

SPECIFICATIONS

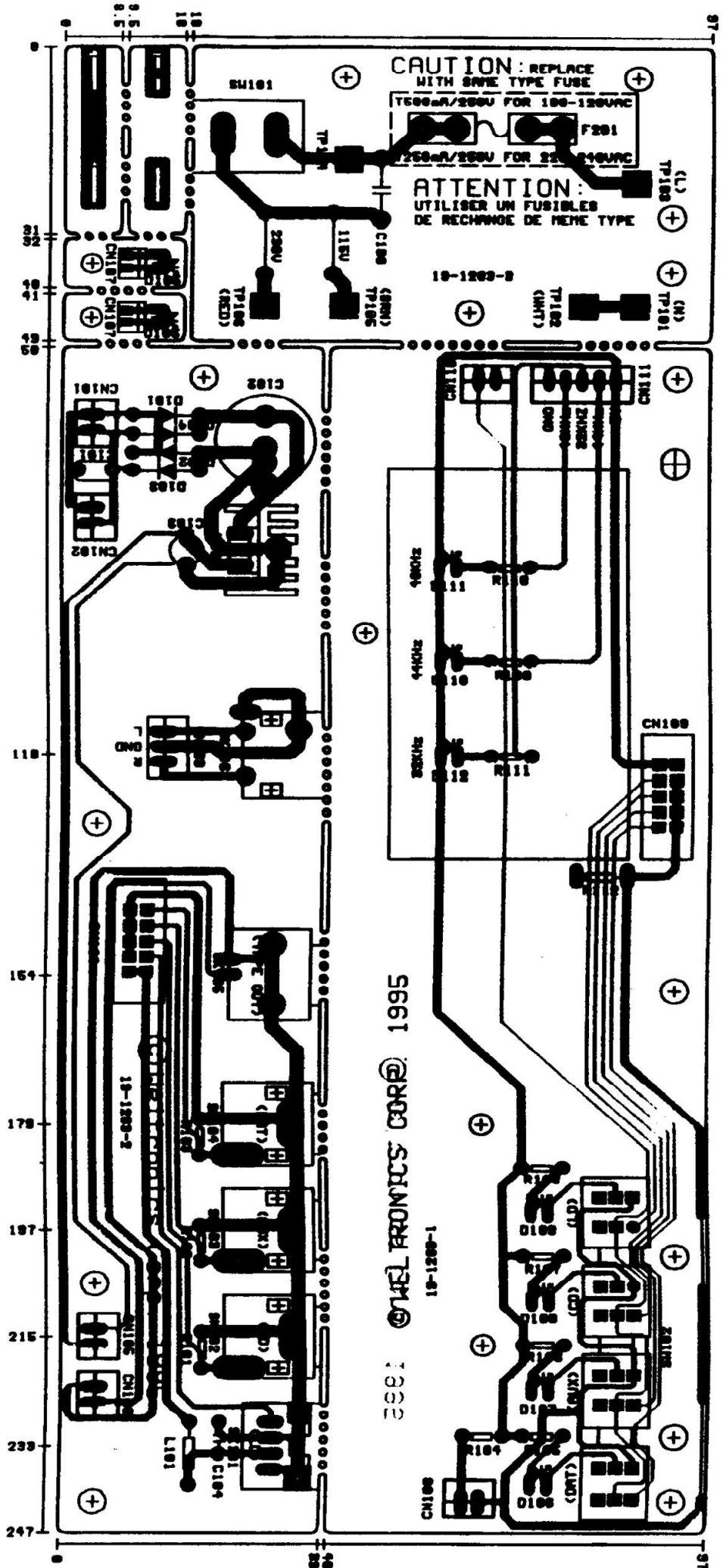
THD 20 Hz - 20kHz and SMPTE IMD	0.005% A-WTD at 2Vrms
Signal to Noise Ration	104dB "A" wtd
Ouput Level	2V rms
Frequency Response	20 - 20 khz, + - 0.3dB
Channel Separation	90 dB
Resolution	18 bits
Linearity up to -90 dB	+ - 0.5 dB
Input automatically locked to 32K, 44.1K and 48KHz SPDIF digital signals.	
Dimensions (W x H x D)	430 x 82 x 300 mm

SCHEMATIC DIAGRAM



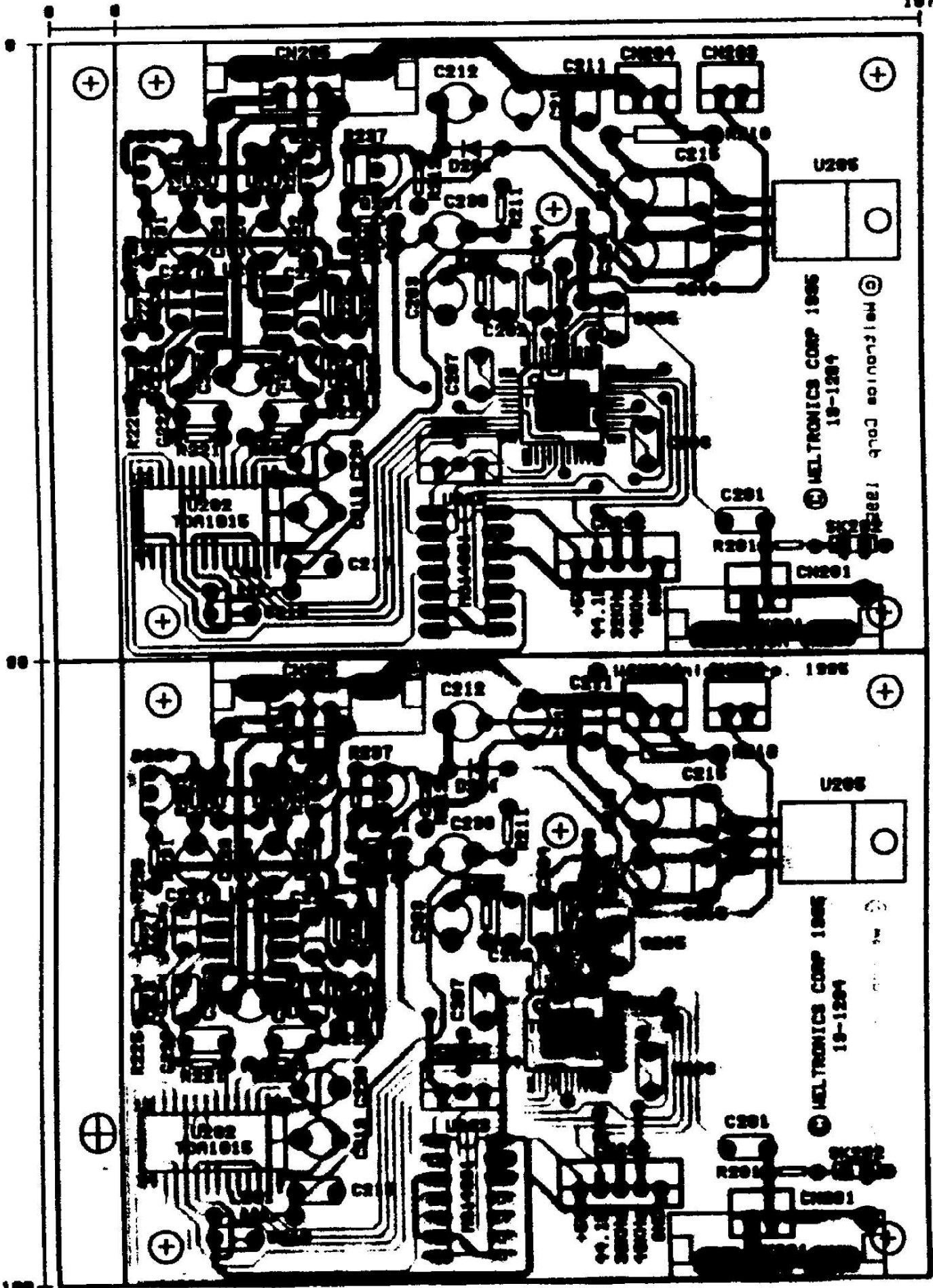
MELTRONICS CORP		
TITLE	ARC MODEL DAC8	
DOCUMENT NUMBER	DAC8.PCB	REV D
DATE	4/29/1985	SHEET 1 OF 1

I/O AND FUNCTION PCB LAYOUT (MD90-1283)



DAC PCB LAYOUT (MD90-1284)

107



MELTRONICS CORP 1986
18-1284

MELTRONICS CORP 1986
18-1284

(UNIT=101)

- | | |
|------------------------|-------------------------------|
| LAYER 0: TOP TRACK | LAYER 6: TOP TRACK (NEGATIVE) |
| LAYER 1: BOTTOM TRACK | LAYER 7: TOP TRACK |
| LAYER 2: BOTTOM RESIST | LAYER 8: TOP RESIST |
| LAYER 9: DRILL HOLE | |

SERVICE PARTS LIST OF DAC8			
PARTS NO	DESCRIPTION	QTY	LOCATION
MD90-1283	DISPLAY AND I/O PCB A'SSY		
17-2.5EF228M	EL.CAP 2200uF/25V +-20%	1	C102
17-1.6ER227M	EL.CAP 220uF/16V +-20%	1	C103
17-5DR223Z	CE.CAP 0.022uF/50V +80-20%	1	C104
17-40CR472M	AC.CAP 4700P/400V +-20%	1	C108
12-1087-2WT	2P SCOKET	2	CN101.102.
14-1238	WIRE ASS'Y 110mm 3P	1	CN103.
12-1102-10	PIN HEADERS 10P (5Px2)	2	CN104.109
14-1241	WIRE ASS'Y 100mm 2P	2	CN105.CN106.
14-1243	2P WIRE/TML 200mm	1	CN108.
14-1242	WIRE ASS'Y 100mm 2P	1	CN110.
14-1239	WIRE ASS'Y 110mm 5P	1	CN111.
30-1N4002	DIODE 1N4002	4	D101-104
30-SE2021	LED GREEN 1x6.5mm(CSL-200G1DT)	4	D105.110.111.112
30-1115*A	LED GREEN 3mm (L=20mm)	4	D106-109
32S1250250TS	FUSE T250MA 250V (SEMEK) EC	1	F201
32S1250500TU	FUSE T500MA 250V (UL/CSA) A1	1	F201
32S2016	FUSE HOLDER 5.2mm	2	F201<->F201
13-8244-6	SPACER FOR LED 6mm	1	FOR D105
13-8244-15	SPACER FOR LED 15mm	4	FOR D106-109
13-8244-12	SPACER FOR LED 12mm	3	FOR D110-112
11-5082-1	HEAT SINK (W=15 H=35mm)	1	FOR U200
29-1114	CHOKE 4u7H	1	L101
19-1283	DISPLAY PCB	1	PCB
16-1/6CA750J	CAB RES 1/6W 75 +-5%	3	R101-103
16-1/6CA102J	CAB.RES 1/6W 1K +-5%	1	R104.
16-1/6CA471J	CAB RES 1/6W 470 +-5%	7	R105-111
16-1/6CA221J	CAB.RES 1/6W 220 +-5%	1	R112
12-2171	TOSLINK (TOSHIBA) RX176	1	SK101
12-2175	1P RCA JACK	3	SK102.SK103.SK104
12-2169	BNC JACK	1	SK105
12-2174	2P RCA JACK	1	SK106
31-1213	POWER SW TV-3	1	SW101
31-1262	PUSH SW 4P SPEC42NB08-EK	1	SW102
30-LM7815A	REQUERATOR IC L7815CV	1	U200
MD90-1284	DAC PCB A'SSY		
17-5FR222J	CAP,POLYSTER 0.0022uF/50V+-5%	1	C202
17-1.6OR685G	CAP, TAN 6.8uF/16V +-2%	1	C203
17-1.6ER476M	CAP, EL, 47uF/16V +-20%	1	C212
17-1.6ER227M	CAP, EL 220uF/16V +-20%	4	C213,214,210,219,
17-5DR104Z	CAP, CC, 0.1uF/50V +80-20%	9	C218,217,216,215,211,204,205,206,207
17-1.6ER106M	CAP, EL 10uF/16V +-20%	2	C221,220
17-5FR472J	CAP,POLYSTER 0.0047uF/50V+-5%	2	C222,223
17-5FR152J	CAP,POLYSTER 0.0015uF/50V+-5%	2	C224,225
17-5FR102J	CAP,POLYSTER 0.001uF/50V+-5%	3	C226,227,201
17-1.6ER226M	CAP, EL, 22uF/16V +-20%	2	C228,229
17-1.6ER105M	CAP. EL 1uF/16V +-20%	1	C230
12-1087-2WT	2P SOCKET	3	CN201.203 204
12-1087-5WT	5P SOCKET	1	CN202
12-1087-3WT	3P SOCKET	1	CN205.
30-1N4148	DIODE 1N4148	1	D201
29-1114	CHOKE 4u7H	1	L201
19-1284	DIA PCB	1	PCB
30-2SA1015Y	TR, 2SA1015Y	1	Q201
30-2SC1815Y	TR, 2SC1815Y	2	Q202.203
16-1/6CA750J	CARBON FILM RES, 1/6W 75 +-5%	2	R201.204
16-1/6CA471J	CARBON FILM RES, 1/6W 470 +-5%	2	R202,203,

SERVICE PARTS LIST OF DAC8			
PARTS NO.	DESCRIPTION	QTY	LOCATION
16-1AN100J	RES 10 +-5% 1W MTL OXIDE.(MINI).	1	R210
16-1/6CA102J	CARBON FILM RES, 1/6W 1K +-5%	1	R211
16-1/6CA473J	CARBON FILM RES, 1/6W 47K +-5%	5	R212.213.235.236.237.
16-1/6CA104J	CARBON FILM RES, 1/6W 100K +-5%	1	R214
16-1/6CA202J	CARBON FILM RES, 1/6W 2K +-5%	2	R221,222
16-1/6MA3921F	METAL FILM RES, 1/6W 3K92 +-1%	6	R223,224,225,226,229,230
16-1/6MA6981F	METAL FILM RES, 1/6W 6K98 +-1%	2	R227,228,
16-1/6CA152J	CARBON FILM RES, 1/6W 1K5 +-5%	2	R231,232
16-1/6CA221J	CARBON FILM RES, 1/6W 220 +-5%	2	R233,234
12-1102-2	PIN HEADERS 2P	1	SK202
30-TDA1315H	CHIP IC TDA1315H PHLIPS	1	U201
30-TDA1305T	CHIP IC TDA1305T PHLIPS	1	U202
30-TC4081	SWITCH IC TC4081/CD4081BE	1	U203
30-NJM2068	OP AMP NJM2068/JRC2068D	1	U204
30-LM7805A	REQUERATOR IC L7805CV	1	U205
DAC8-COM	CHASSIS AND PACKING A'SSY		
11-1123-1	TOP COVER	1	
11-6182-2	MAIN CHASSIS	1	
11-6188-1	FRONT CHASSIS	1	
11-8417-5	DISPLAY WINDOON	1	
11-8524	REAR PANEL	1	
11-8525	FRONT PANEL	1	
12-1083	POWER LINK	1	
12-3110	PUSH BUTTON (BLK)	4	
12-3152GN	POWER BUTTON (GRN)	1	
13-8227B	POWER BEZEL	1	
13-8232BK	PCB SUPORT 12.7mm (BLK)	4	
14-5003	BUSHING 4N-4	1	
14-5028	POWER CORD (230V VERSION)	1	
14-5027	POWER CORD SPT-2 (115V VERSIO	1	
14-1240	WIRE ASS'Y 250mm 10P (5Px2)	1	CN104<->CN109.
21-4084	I/MANUAL	1	
26-0016	POLYBAG	1	I/MANUAL
26-0018	POLYBAG	1	POWER CORD
26-3855	POLYBAG	1	UNIT
28-1046-1B	FOOT L	2	
28-1046-2B	FOOT R	2	
28-2074	SPONGE FOOT 29x10x3T	4	
29-2157	X'MER 115/230V	1	
34-1060	POLYLONE	2	
CT-5264	I/CARTON	1	
CT-5265	O/CARTON	0.25	