

SERVICE MANUAL

MCD-510

MODEL NO.:MCD-510

Contents

<i>Specification</i>	1-3
<i>Block Diagram</i>	4
<i>Packing View</i>	5
<i>Packing View Part List</i>	6
<i>Point To Point Wiring Diagram</i>	7
<i>Exploded View</i>	8
<i>Exploded View Part List</i>	9-10
<i>Electrical Part List</i>	11-21
<i>Schematic Diagram</i>	22-25
<i>Printed Circuit Board Diagram</i>	26-32
<i>IC Block Diagram</i>	33-42
<i>Trouble Shooting</i>	43

General Specification

1. MODEL MCD-510, Dual CD/MP3 player with wired remote control.
2. POWER SOURCE AC 115/230V, 50/60Hz, 24Watts
3. DIMENSIONS
 Main Unit 482(W)x 88.8(H)x 262(D)mm
 Control Unit 482(W)x 88.8(H)x 96(D)mm
4. WEIGHT 6.38 Kgs

5. FEATURES

6. AUDIO CHARACTERISTICS (TEST DISC: TCD-782, LOAD=47KOHM)

ITEM	TYPICAL	LIMIT	CONDITION
(1) OUTPUT LEVEL	2VRMS +/-0.5dB	2VRMS +/-1dB	1KHz, 0dB
(2) CHANNEL BALANCE	WITHIN 0.2dB	WITHIN 1dB	1KHz, 0dB
(3) FREQUENCY RESPONSE	20-20KHz +/-0.4dB	20-20KHz +/-1dB	0dB OUTPUT
(4) DE-EMPHASIS	+2.4/-0dB	+3/-0dB	16KHz,-20dB
(5) CHANNEL SEPARATION (*2)	100dB	90dB	1KHz, 0dB
(6) THD+N (*1)	0.01%	0.01%	1KHz, 0dB
(7) S/N (*2)	102dB	90dB	1KHz, 0dB

Note: *1: WITH 20KHz LOW PASS FILTER.*2: WITH 20KHz LOW PASS FILTER AND "IHF-A" WEIGHTED.

6-2 MP3(TEST DISC:TCD-MP3, LOAD = 47KOHM)

ITEM	TYPICAL	LIMIT	CONDITION
(1) OUTPUT LEVEL	2V+/-1dB	2V+/-1dB	TCD-MP3 NO.1
(2) S/N (*2)	101dB	90dB	TCD-MP3 NO.2
(3) R CHANNEL SEPARATION (*2)	100dB	90dB	TCD-MP3 NO.3
(4) L CHANNEL SEPARATION (*2)	100dB	90dB	TCD-MP3 NO.4
(5) THD+N(*1)	0.03%	0.07%	TCD-MP3 NO.1

7. SEARCHING TIME (TEST DISC: TCD-792)

ITEM	TYPICAL	LIMIT	CONDITION
(1) SHORT ACCESS TIME	2Sec	4Sec	PLAY NEXT TRACK
(2) LONG ACCESS TIME	4Sec	6Sec	TRACK 1 TO 20,20 TO 1

8. PLAYABILITY

ITEM	TYPICAL	LIMIT	CONDITION
(1) INTERRUPTION	1mm	0.7mm	TCD-725
(2) BLACK DOT	1mm	0.6mm	TCD-725
(3) FINGER PRINTS	75um	65um	TCD-725
(4) ECCENTRICITY	140um	140um	TCD-712 W/O TRACK JUMP
(5) VERTICAL DEVIATION	1mm	0.5mm	TCD-731R

9. FUNCTION SWITCHES

MAIN UNIT

NAME	Q'TY	TYPE	NOTE
(1) POWER	1	PUSH	
(2) OP/CL	2	TACT	

General Specification

CONTROL UNIT

NAME	Q'TY	TYPE	NOTE
(1) PLAY/PAUSE	2	TACT	
(2) CUE	2	TACT	
(3) +-10 TRACKS SKIP	4	TACT	
(4) F.SKIP/B.SKIP	4	TACT	
(5) REV/FWD	2	TACT	
(6) FRAME SEARCH	2	JOG WHEEL	
(7) SINGLE/CONTINUE	2	TACT	
(8) TIME	2	TACT	
(9) PITCH ON/OFF	2	TACT	
(10) PITCH BEND	4	TACT	
(11) PITCH	2	6cm SLIDE VR	
(12) OPEN/CLOSE	2	TACT	
(13) PITCH RANGE	2	TACT	
(14) LOOP IN/OUT/RELOOP	6	TACT	

10. PICK-UP

(SONY KSM-213VCS)

- | | |
|------------------------------|--|
| (1) System | Object lens drive system optical pick-up |
| (2) Object lens drive system | 2 dimensional parallel drive |
| (3) Tracking detection | 3 spot beam detection |
| (4) Optical source | Semiconductor laser |
| (5) Wave length | 780nm |

11. GENERAL

- | | |
|-------------------------|---|
| (1) System | Compact Disc Digital Audio |
| (2) Disc loading | Front loading |
| (3) Display | 11 Digital LCD Display |
| (4) Pitch control range | Within +/-4%, +/-8%, +/-16% |
| (5) Pitch bend | +/-16% |
| (6) Pitch accuracy | 0.1% |
| (7) Digital out level | 0.5V +/-0.1V p-p @ LOAD = 75 ohm (option) |

12. ENVIRONMENTAL

CONDITION

- | | |
|---------------------------|-------------------------------|
| (1) Operating Temperature | 5 to 35 deg. C |
| (2) Humidity | 25 to 85% RH (non-condensing) |
| (3) Storage Temperature | -20 to 60 deg. C |

13. ACCESSORIES

- | | |
|-----------------------------|-------------|
| (1) Pin-connected cord | L/R 2 pairs |
| (2) Remote connecting cable | 1 pc (3M) |
| (3) Operating Instruction | 1 pc |

14. NOTES

- (1) The specifications are subject to change to any improvement by negotiations in advance.
- (2) The parts are subject to change to any improvement within the range of the specifications.

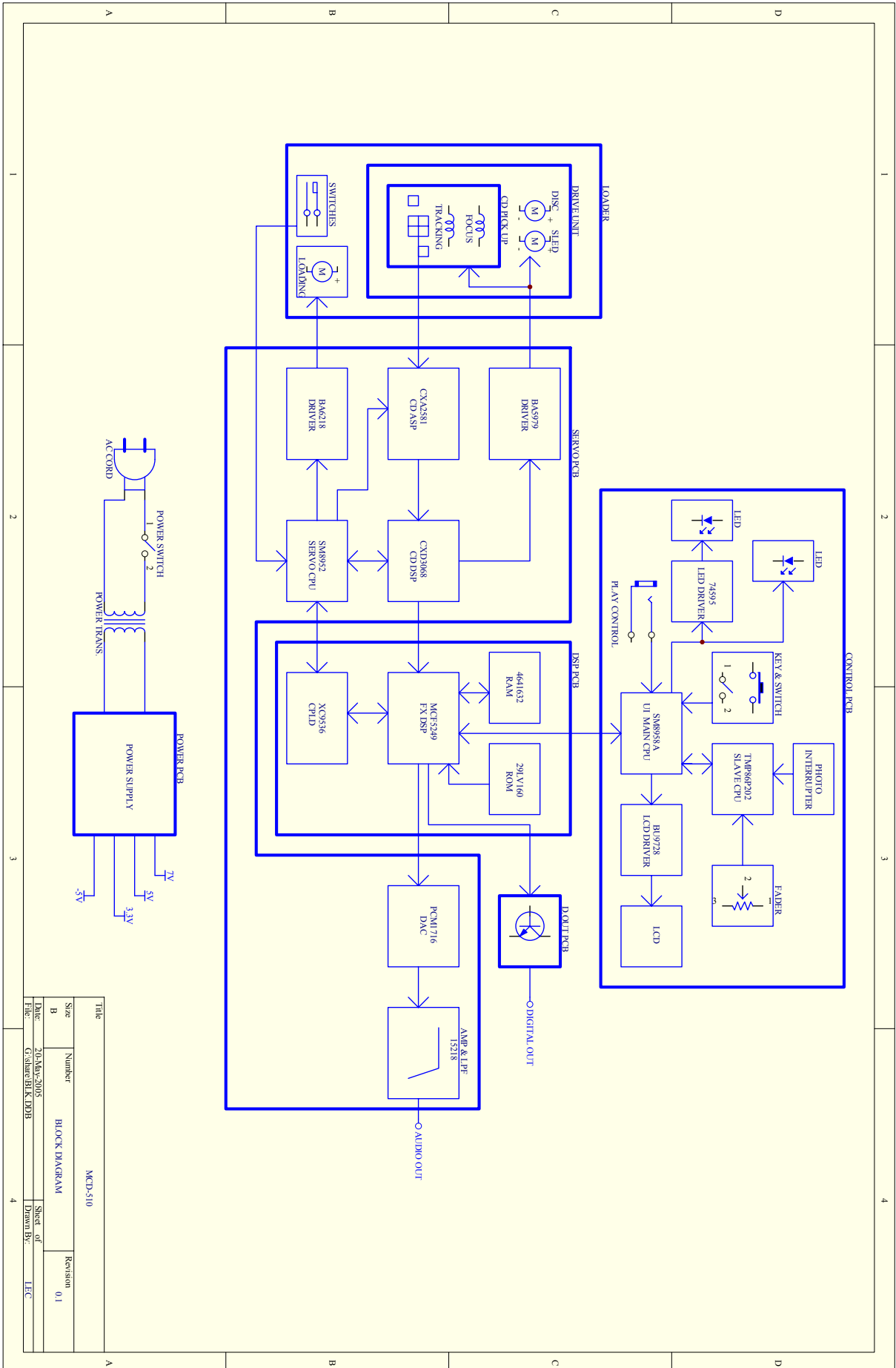
General Specification

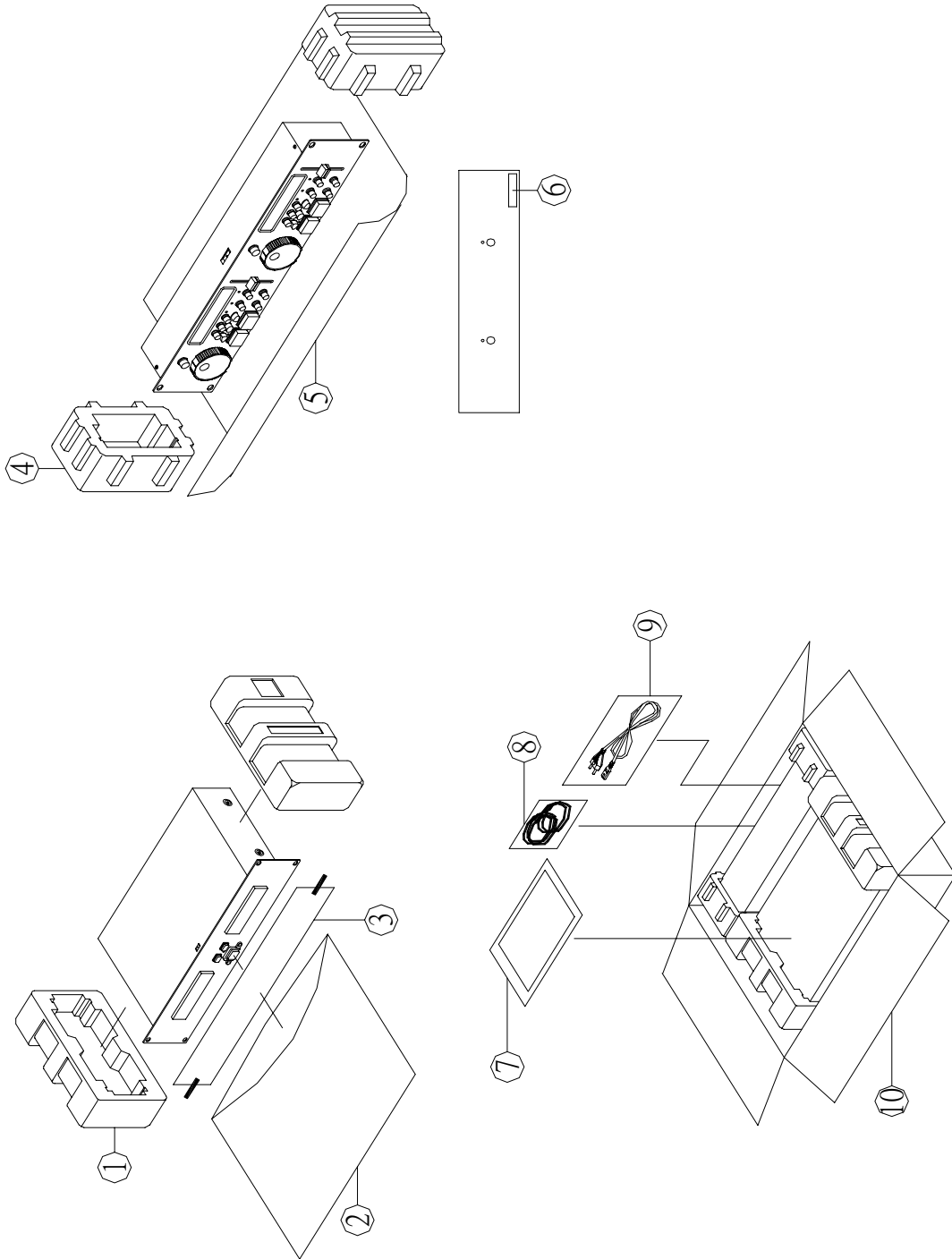
15. MP3 FORMAT

Disc Format	Applicable file extensions	mp3 . MP3 . mP3 . Mp3
	ISO9660	Level 1(max. 8"8.3" character style)
		Level 2(max. 31/30 character style)
	Joliet	max. 64/64 character style
	CD-ROM sector format	mode-1 only
	Max. number of Folders	255
	Max. number of files	max. 999 files (* note #1)
MP3 Format	MPEG 1 Layer 3 standard (ISO/IEC 11172-3), which provides for single channel ('mono') and two-channel ('stereo') coding at sampling rates of 32, 44.1 and 48kHz.	
	MPEG 2 Layer 3 standard (ISO/IEC 13818-3), which provides for similar coding at sampling rates of 16, 22.05 and 24 kHz.	
	MPEG 2.5 Layer 3 standard, which provides for similar coding at sampling rates of 8, 11.025 and 12 kHz.	
Disc Writing Method	Disc at Once and Track at Once	
	Multi Session	If the 1 st session is CDDA, you can playback Only CDDA track, If the 1st session is MP3, you can playback only MP3 file.

Note #1: mdx.255 files each folder

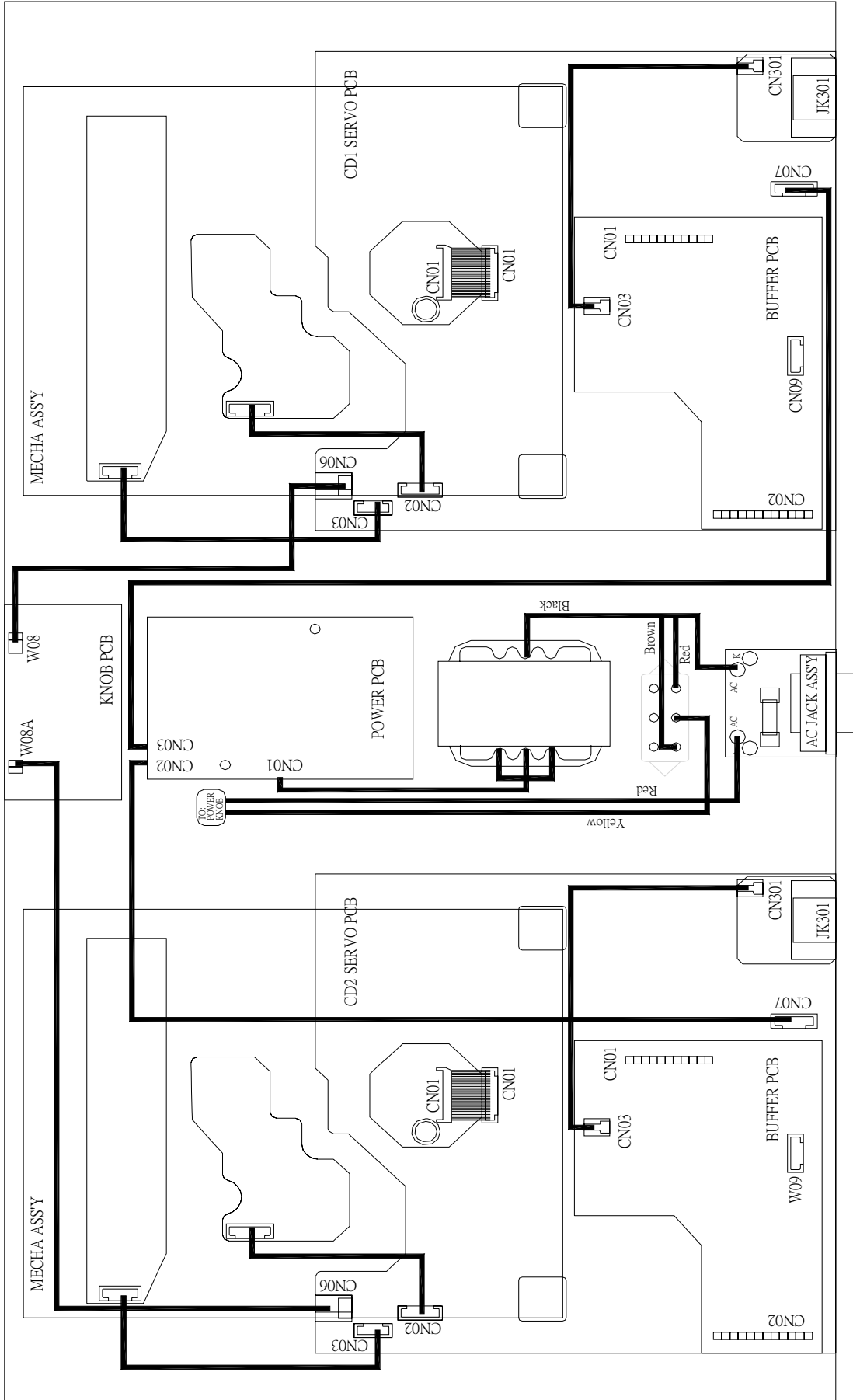
Block Diagram



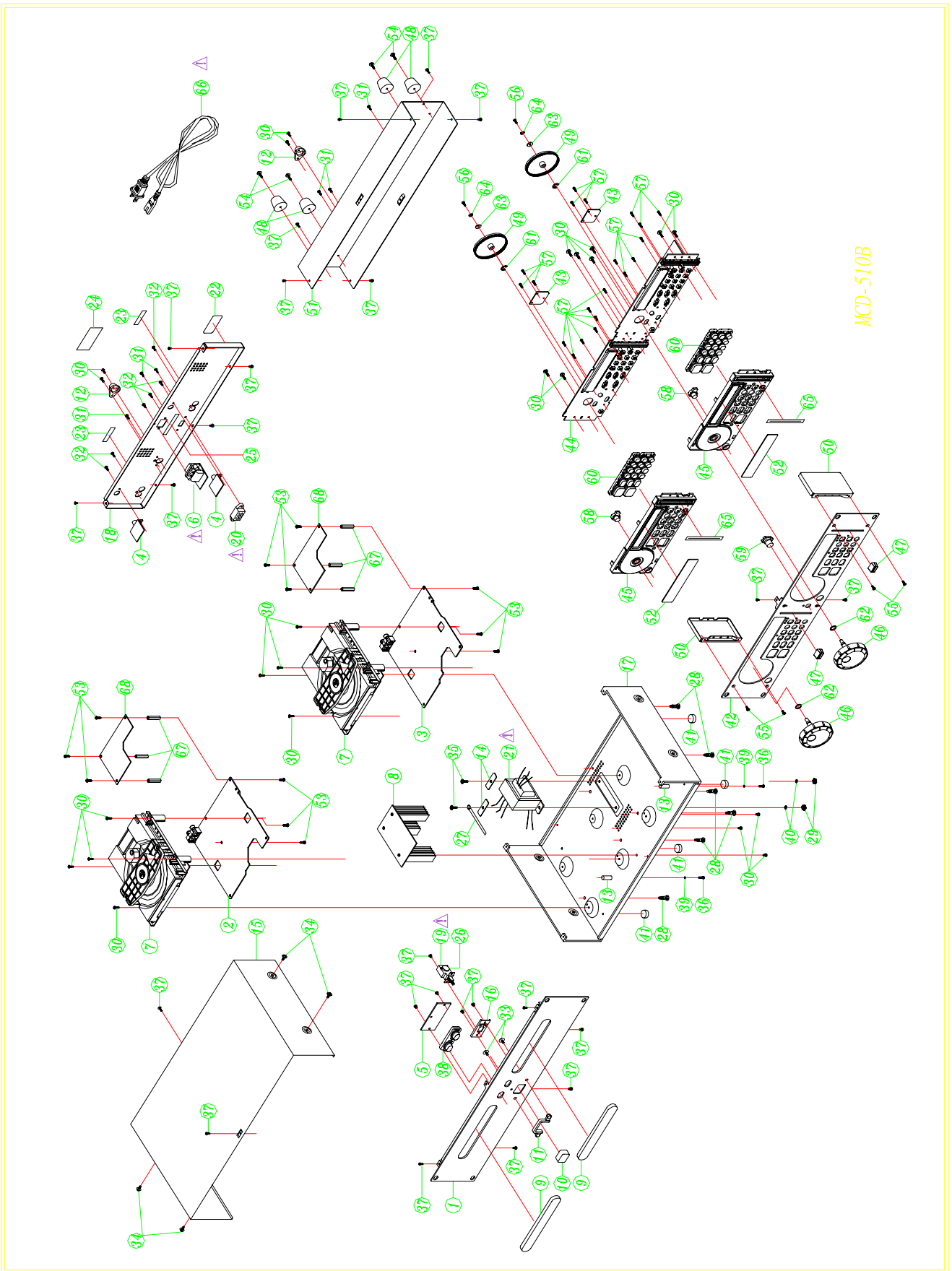


MCD510B

Point to Point Wiring Diagram



Exploded View



Exploded View Part List

REF NO.	DESCRIPTION	PART NO.	Q'TY	REMARK
1	MAIN FRONT PANEL ASS'Y(AL)	703-MCD510-918	1	
2	CD1 SERVO PCB ASS'Y	704-M510-5513	1	
3	CD2 SERVO PCB ASS'Y	704-M510-5515	1	
4	D-OUT PCB ASS'Y	704-DCD310-5482	2	
5	SW PCB ASS'Y	704-DCD310-5539	1	
6	AC JACK ASS'Y	704-DJ100-2571	1	
7	MECHA ASS'Y	704-HDJ2110-5309	2	
8	POWER PCB ASS'Y	704-P22NS-5465	1	
9	CD DOOR	100-M510A-1336	2	
10	POWER KNOB	100-HDJ200-984	1	
11	POWER SW PROTECTOR(PLASTIC)	100-HDJ2400-1300	1	
12	JACKET	100-MPCD4-2284	2	
13	SLEEVE	200-HDJ7000-256	2	
14	BRACKET TRANSFORMER	300-DV300B-443	2	
15	MAIN UNIT COVER	300-HDJ200-342A	1	
16	POWER SWITCH BRACKET	300-HDJ7000-478	1	
17	MAIN UNIT BOTTOM	300-HDJ7000-479	1	
18	MAIN UNIT REAR PANEL(1t)	300-MCD510-526K	1	
19	POWER SW(SDDL1017U-HF,2PIN)	403-A100-005	1	
20	SLIDE SW(L21-22A8,6PIN)	403-HS100-042	1	
21	TRANSFORMER(AC115/230V)	411-2450-441	1	
22	STICKER(CLASS 1)(58*26mm,t=0.08mm)	501-1420SRD-867	1	
23	LABEL(BARE,36*8mm,t=1.2mm)	501-DV300-1067	0	
24	RATING LABEL(40*20mm,t=0.08mm)	501-M510A-1338	1	
25	FUSE LABEL(46*6mm,t=0.08mm)	501-PRODJ2-1298	1	
26	CNR COVER(HU-12-ULY)	504-CDC2050-105	1	
27	ADHESIVE BACKED MOUNTS	504-DJ2500J-047	1	
28	BOARD SUPPORT	504-HDJ7000-031	6	
29	NUT(4mm,P=0.7 ISO)	601-F200-001	2	
30	SCREW(3*8mm BTP)	602-2002-077	23	
31	SCREW(M3*8,P=0.5,BLACK)	602-2002-085	6	
32	SCREW(PTB, ϕ 3*8,ZB)	602-DJ5500-452	6	
33	SCREW(WPTP, ϕ 2.6*7,CAP10,ZMC)	602-DV300-5023	2	
34	SCREW(4*6mm TTB BLACK)	602-HDJ200-214	4	
35	SCREW(W.STN,4*10,ZS)	602-HDJ9700-426	2	
36	SCREW(M3*P0.5*L8)	602-HP1010K-178	2	
37	SCREW(3*5mm,BLACK)	602-KE200-145	25	
38	MAIN UNIT BUTTON	604-7500NSA3-137	1	
39	WASHER	606-B300-039	2	
40	SPRING	606-STR830-141	2	
41	MAT FORBASE	612-HDJ201-053	4	
42	CONTROLLER FRONT PANEL ASS'Y(AL)	703-MCD510-915	1	
43	SENSOR PCB ASS'Y	704-DCD310-5478	2	
44	CONTROL PCB ASS'Y	704-M510-5510	1	

Exploded View Part List

REF NO.	DESCRIPTION	PART NO.	Q'TY	REMARK
45	FRAME ASS'Y	701-MCD510-3433	2	
46	SHUTTLE TURNING KNOB	701-MCD810-3455	2	
47	CONTROLLER PITCH KNOB	100-HDJ7000-985	2	
48	FOOT (PVC)	100-HDJ7000-1235	4	
49	SENSOR PLATE	100-MCD810-2287	2	
50	CONTROL UNIT SIDE BOARD	300-HDJ5000-496	2	
51	CONTROL UNIT REAR COVER	300-MCD510-497C	1	
52	DECORATIONS	501-HDJ2400-1160	2	
53	PLASTIC SCREW(S-306-N66)	602-SPANDEMK2-536	12	
54	SCREW(W BTP 3*12L)	602-HDJ7000-256	4	
55	SCREW	602-HMD510B-198	4	
56	SCREW(M2.6*8,BLACK)	602-MCD810-555	2	
57	SCREW(2.6*8 PTP)	602-SL24F-099	20	
58	OP/CL SILICON BUTTON	604-MCD510-337	2	
59	RELAY SILICON BUTTON	604-MCD510-338	1	
60	MAIN KNOB(SILICA)	604-MCD510-336	2	
61	E RING	606-DJ3000-105	2	
62	PULLEY WASHER	606-F200-003	2	
63	WASHER(∅ 2.6)	606-MCD810-204	2	
64	WASHER(∅ 8*2.8*0.5t)	606-MCD810-205	2	
65	VR CUSHION(75.5*8.5*0.3t)	612-HDJ7000-056A	2	
66	AC POWER CORD(L=1900+-50mm,UL TYPE)	409-DJ2-070A	1	
67	SPACER SUPPORT(H-20)	504-RMX30-157	6	
68	BUFFER PCB ASS'Y	704-M510-5516	2	

CD1 SERVO P.C.B ASS'Y PART LIST

REF NO.	DESCRIPTION	PART NO.	Q'TY	REMARK
	CD1 SERVO PCB ASS'Y	704-M510-5513	1	
JK102	DIN SOCKET SUPPORT BRACKET	300-HDJ7000-473	1	
CN03	5P SOCKET(B5B-PH-K,P=2mm,JST,180 DEGREE)(Pb,Cd)	404-1210S-094	1	
CN02	6P SOCKET((B6B-PH-K-S,P=2mm,JST,180 DEGREE)	404-3113-052	1	
CN01	16P FFC CONNECTOR(P=1.0mm,16PIN)(Pb,Cd)	404-HDJ201-599	1	
CN09A	3P SOCKET(B3B-XH-A,P=2.5mm,JST,180 DEGREE)	404-HV3500K-623	1	
CN06	3P SOCKET(CKM2501WR-3P 90°WHITE)(Cd,Pb,Hg,Cr)	404-KMD3500-609A	1	
IC103	IC SOCKET(PLCC-44)	404-MPG100-384	1	
CN07	8P CONNECTOR WIRE	404-RCC1055-1569	1	
J78(20mm)	JUMPER	406-3113-175	1	
RB101	THICK FILM RESISTOR NETWORKS(10K OHM,1/8W J,RA TYPE,7R8P)	412-DJ1-420	1	
C101,C108,C102	ELEC. CAPACITOR(100uF/10V,M,105°C,TAPING 5*11)(Cd,Pb,Hg,Cr)	413-3113-046	3	
J72	BEAD CORE(86-019-A TAPING)	415-HV3500K-090	1	
IC106	IC(BA5979S,DIP-32)	417-DCM280-596	1	
IC107	REVERSIZLE MOTOR DRIVER(BA6218/BA6418N)	417-KC720-049	1	
JK101	2P RCA JACK(RJ-1078B-10-0320A)	420-HDJ7000-045	1	
JK102	8P DIN JACK(MDJ18-08)	420-HDJ7000-046A	1	
CN04*2	6P STRIP PIN HEADER(L=31mm,P=2.54mm,180 DEGREES)	424-HDJ7500-058	2	
CN05	11P2.54 STRIP PIN HEADER(L=31mm,180°)	424-T2-075	1	
IC106	HEAT SINK	425-CDN88A3-066	1	
X102	QUARTZ CRYSTAL(24MHZ)	427-DRM120-095	1	
X101	CRYSTAL(33.8688MHZ)	427-DV330-043	1	
	SPACER SUPPORT(H-20)	504-RMX30-157	3	
	PLASTIC SCREW(S-306-N66)	602-SPANDMK2-536	6	
IC106	CLIP FOR HEAT SINK	603-CDN88-291	2	
C115,C177,C178	CERAMIC CAPACITOR(1000PF/50V,K,TAPING,Y5P)	413-1430-071	3	
C171,C172	CERAMIC CAPACITOR(180pF/50V,K,TAPING,Y5P)	413-3113-030	2	
C110,C112,C145,C146,C147	CERAMIC CAPACITOR(220pF/50V,K,TAPING,Y5P)	413-3113-032	5	
C103,C105,C106,C111, C113,C114,C127,C128, C142,C143,C144,C163, C176	CERAMIC CAPACITOR(0.1uF/50V,Z,TAPING,Y5V)	413-3113-035	13	
C126,C104,C109,C130,C179	ELEC. CAPACITOR(100uF/10V,M,105°C,TAPING 5*11)(Cd,Pb,Hg,Cr)	413-3113-046	5	
C181,C182,C107,C140,C1 61,C165,C166,C167,C168	ELEC. CAPACTIOR(10uF/25V,M,105°C,TAPING 5*11)(Cd,Pb,Hg,Cr)	413-3113-052	9	
C125	POLYESTER CAPACITOR(0.01uF/50V,J,TAPING)	413-3113-057	1	
C122,C169,C170	POLYESTER CAPACITOR(0.0015uF/50V,J,TAPING)	413-HT7016-219	3	
C135,C137,C160,C162	ELEC. CAPACITOR(220uF/10V,M,105°C,TAPING 6.3*11)(Cd,Pb,Hg,Cr)	413-KC220-119	4	
C121	POLYESTER CAPACITOR(0.047uF/50V,J,TAPING)	413-KT300-099	1	
C132	POLYESTER CAPACITOR(0.0033uF/100V,J,TAPING)	413-KT300-103	1	
C124	ELEC. CAPACITOR(0.47uF/50V,M,105°C,TAPING 5*11)Cd,Pb,Hg,Cr)	413-KT350-093	1	
Q101	TRANSISTOR(2SA933SR TAPING OR 2SA608G)	416-3113-008	1	
Q105,Q106	TRANSISTOR(2SD1468 TAPING)	416-3113-009	2	
Q102	TRANSISTOR(DTA124ES TAPING OR 2SA1346)	416-KC710-038	1	
Q104	TRANSISTOR(DTA124TS/2SA1589/DTA124TSATP,TAPING)	416-KE200S-024	1	

CDI SERVO P.C.B ASS'Y PART LIST

REF NO.	DESCRIPTION	PART NO.	Q'TY	REMARK
R110,R134,	CARBON FILM RESISTOR(150K OHM,1/6W,J,T-26)	412-3113-046	2	
R107,R112,R131,R159,R160,R170	CARBON FILM RESISTOR(100K OHM,1/6W,J,T-26)	412-3113-047	6	
R108	CARBON FILM RESISTOR(2.2K OHM,1/6W,J,T-26)	412-3113-048	1	
R101,R102	CARBON FILM RESISTOR(12K OHM,1/6W,J,T-26)	412-3113-051	2	
R113,R114,R129	CARBON FILM RESISTOR(15K OHM,1/6W,J,T-26)	412-3113-053	3	
R109	CARBON FILM RESISTOR((27K OHM,1/6W,J,T-26)	412-3113-054	1	
R155,R156	CARBON FILM RESISTOR(4.7K OHM,1/6W,J,T-26)	412-3113-055	2	
R104	CARBON FILM RESISTOR(470 OHM,1/6W,J,T-26)	412-3113-056	1	
R117	CARBON FILM RESISTOR((3.3K OHM,1/6W,J,T-26)	412-3113-057	1	
R197,R198,R123,R125,R126,R143,R173,R174,R175,R176,R177	CARBON FILM RESISTOR(220 OHM,1/6W,J,T-26)	412-3113-058	11	
R185,R186,R187,R188,R189,R190,R191,R192,R193,R194,R195,R196	CARBON FILM RESISTOR(100 OHM,1/6W,J,T-26)	412-3113-060	12	
R105	CARBON FILM RESISTOR(120K OHM,1/6W,J,T-26)	412-3113-062	1	
R130,R135,R136,R137	CARBON FILM RESISTOR((47K OHM,1/6W,J,T-26)	412-3113-063	4	
R119,R138,R153,R154	CARBON FILM RESISTOR(10K OHM,1/6W,J,T-26)	412-3113-068	4	
R163,R164	CARBON FILM RESISTOR((2.7K OHM,1/6W,J,T-26)	412-3113-073	2	
R118,R133,R161,R162	CARBON FILM RESISTOR(1K OHM,1/6W,J,T-26)	412-3113-078	4	
R132	CARBON FILM RESISTOR(30K OHM,1/6W,J,T-26)	412-DV300-291	1	
R106	CARBON FILM RESISTOR(4.3K OHM,1/6W,J,T-26)	412-HC1421FR-245	1	
R103	CARBON FILM RESISTOR(15 OHM,1/6W,J,T-26)	412-HDJ7150-709	1	
R124,R142,R184	CARBON FILM RESISTOR(10 OHM,1/6W,J,T-26)	412-KC220-132	3	
R183	CARBON FILM RESISTOR(470K OHM,1/6W,J,T-26)	412-KT300-108	1	
R141	CARBON FILM RESISTOR((560 OHM,1/6W,J,T-26)	412-KT346-112	1	
R169	CARBON FILM RESISTOR(27 OHM,1/4W,J,T-52)	412-PRODJ1-451	1	
R157,R158	CARBON FILM RESISTOR(20K OHM,1/6W,J,T-26)	412-STR880-482	2	
D101,D103,D104	SWITCHING DIODE(1SS132/1SS133,300mw,55V,T-77)	414-3113-005	3	
ZD101	ZENER DIODE(MTZJ5.1-B,1/2W,T-77)	414-HDJ200-056	1	
L105,L109	BEAD CORE(86-019-A TAPING)	415-HV3500K-090	2	
L101,L103,L104,L107,L108	INDUCTOR(10uH TAPING 52mm)	415-MPG100-047	5	
L102	MICRO INDUCTOR(33uH)	415-RCC955A-094	1	
	SERVO PCB	405-MCD2450-1238	1	
R181	CHIP RESISTOR(220K OHM,1/8W,0805,J,TP ,150V)	412-DFX1-569	1	
R121,R171,R178	CHIP RESISTOR(10K OHM,1/8W,0805,J,TP 150V)	412-DV330-306	3	
R122	CHIP RESISTOR(100K OHM,1/8W, 0805,J,TP 150V)	412-DV330-307	1	
R139,R116	CHIP RESISTOR(1M OHM,1/8W, 0805,J,TP 150V)	412-DV330-308	2	
R111	CHIP RESISTOR(33K OHM,1/8W,0805,J,TP 150V)	412-DV330-318	1	
R199	CHIP RESISTOR(220 OHM,1/8W,0805,J,TP 150V)	412-DV330-333	1	
R120	CHIP RESISTOR(820K OHM,1/8W,0805,J,TP ,150V)	412-HDJ11-712	1	
R179	CHIP RESISTOR (1.5K OHM,1/8W, 0805,J,TP,150V)	412-QMX1-035	1	
R115,R182	CHIP RESISTOR((470K OHM,1/8W, 0805,J,TP 150V)	412-QMX2-120	2	
R180	CHIP RESISTOR (470 OHM,1/8W, 0805,J,TP,150V)	412-VCDG3-395	1	
C123	CHIP CAPACITOR(220pF/50V,J,0805 TYPE,NPO)	413-AMC110D-5104	1	

CDI SERVO P.C.B ASS'Y PART LIST

REF NO.	DESCRIPTION	PART NO.	Q'TY	REMARK
C139	CHIP CAPACITOR(100pF/50V,J,0805 TYPE,NPO)	413-DV330-310	1	
C164,C183,C184,C116,C117,C118,C129,C131,C134,C136,C138,C141	CHIP CAPACITOR(0.1uF/ 50V,Z,0805 TYPE,Y5V)	413-DV330-313	12	
C174,C175	CHIP CAPACITOR(20pF/ 50V,J,0805 TYPE,NPO)	413-DV330-315	2	
C120	CHIP CAPACITOR(5pF/50V,J,0805 TYPE,NPO)	413-DV330-325	1	
C133	CHIP CAPACITOR(0.068uF)	413-SMX701-755	1	
IC105	IC(PCM1716E,28PIN,SOP)	417-DCM270X-327A	1	
IC102	IC(CXD3068Q,QFP-80,SMD)	417-DCM280-587	1	
IC101	IC(CXA-2581N,SSOP-30,SMD)	417-DCM280-588	1	
IC108	IC(BA15218F/BA15218FE2,SOP-8)	417-QMX2-167	1	
IC103	SERVO IC ASS'Y(CHECK SUM:A21D/23)	704-M510-5514	1	
	IC(SM8952AC25J,PLCC-44)	417-HDJ2450-693C	1	

CD2 SERVO P.C.B ASS'Y PART LIST

REF NO.	DESCRIPTION	PART NO.	Q'TY	REMARK
	CD2 SERVO PCB ASS'Y	704-M510-5515	1	
CN03	5P SOCKET(B5B-PH-K,P=2mm,JST,180 DEGREE)(Pb,Cd)	404-1210S-094	1	
CN02	6P SOCKET((B6B-PH-K-S,P=2mm,JST,180 DEGREE)	404-3113-052	1	
CN01	16P FFC CONNECTOR(P=1.0mm,16PIN)(Pb,Cd)	404-HDJ201-599	1	
CN06	3P SOCKET(CKM2501WR-3P 90°WHITE)(Cd,Pb,Hg,Cr)	404-KMD3500-609A	1	
IC103	IC SOCKET(PLCC-44)	404-MPG100-384	1	
CN07	8P CONNECTOR WIRE	404-RCC1055-1569	1	
W09	3P2.5 CONNECTOR WIRE(L=220mm,AWM1007 AWG26)	404-ST150-1720	1	
J78(20mm)	JUMPER	406-3113-175	1	
RB101	THICK FILM RESISTOR NETWORKS(10K OHM,1/8W J,RA TYPE,7R8P)	412-DJ1-420	1	
C101,C108,C102	ELEC. CAPACITOR(100uF/10V,M,105°C,TAPING 5*11)(Cd,Pb,Hg,Cr)	413-3113-046	3	
IC106	IC(BA5979S,DIP-32)	417-DCM280-596	1	
IC107	REVERSIBLE MOTOR DRIVER(BA6218/BA6418N)	417-KC720-049	1	
JK101	2P RCA JACK(RJ-1078B-10-0320A)	420-HDJ7000-045	1	
CN04	6P STRIP PIN HEADER(L=31mm,P=2.54mm,180 DEGREES)	424-HDJ7500-058	2	
CN05	11P2.54 STRIP PIN HEADER(L=31mm,180°)	424-T2-075	1	
IC06	HEAT SINK	425-CDN88A3-066	1	
X102	QUARTZ CRYSTAL(24MHZ)	427-DRM120-095	1	
X101	CRYSTAL(33.8688MHZ)	427-DV330-043	1	
	SPACER SUPPORT(H-20)	504-RMX30-157	3	
	PLASTIC SCREW(S-306-N66)	602-SPANDMK2-536	6	
IC106	CLIP FOR HEAT SINK	603-CDN88-291	2	
C115,C177,C178	CERAMIC CAPACITOR(1000PF/50V,K,TAPING,Y5P)	413-1430-071	3	
C171,C172	CERAMIC CAPACITOR(180pF/50V,K,TAPING,Y5P)	413-3113-030	2	
C110,C112,C145,C146,C147	CERAMIC CAPACITOR(220pF/50V,K,TAPING,Y5P)	413-3113-032	5	
C103,C105,C106,C111,C113,C114,C127,C128,C142,C143,C144,C163,C176	CERAMIC CAPACITOR(0.1uF/50V,Z,TAPING,Y5V)	413-3113-035	13	
C126,C104,C109,C130,C179	ELEC. CAPACITOR(100uF/10V,M,105°C,TAPING 5*11)(Cd,Pb,Hg,Cr)	413-3113-046	5	
C181,C182,C107,C140,C161,C165,C166,C167,C168	ELEC. CAPACTIOR(10uF/25V,M,105°C,TAPING 5*11)(Cd,Pb,Hg,Cr)	413-3113-052	9	
C125	POLYESTER CAPACITOR(0.01uF/50V,J,TAPING)	413-3113-057	1	
C122,C169,C170	POLYESTER CAPACITOR(0.0015uF/50V,J,TAPING)	413-HT7016-219	3	
C135,C137,C160,C162	ELEC. CAPACITOR(220uF/10V,M,105°C,TAPING 6.3*11)(Cd,Pb,Hg,Cr)	413-KC220-119	4	
C121	POLYESTER CAPACITOR(0.047uF/50V,J,TAPING)	413-KT300-099	1	
C132	POLYESTER CAPACITOR(0.0033uF/100V,J,TAPING)	413-KT300-103	1	
C124	ELEC. CAPACITOR(0.47uF/50V,M,105°C,TAPING 5*11)Cd,Pb,Hg,Cr)	413-KT350-093	1	
Q101	TRANSISTOR(2SA933SR TAPING OR 2SA608G)	416-3113-008	1	
Q105,Q106	TRANSISTOR(2SD1468 TAPING)	416-3113-009	2	
Q102	TRANSISTOR(DTA124ES TAPING OR 2SA1346)	416-KC710-038	1	
Q104	TRANSISTOR(DTA124TS/2SA1589/DTA124TSATP,TAPING)	416-KE200S-024	1	
R110,R134	CARBON FILM RESISTOR(150K OHM,1/6W,J,T-26)	412-3113-046	2	
R107,R112,R131,R159,R160,R170	CARBON FILM RESISTOR(100K OHM,1/6W,J,T-26)	412-3113-047	6	

CD2 SERVO P.C.B ASS'Y PART LIST

REF NO.	DESCRIPTION	PART NO.	Q'TY	REMARK
R108	CARBON FILM RESISTOR(2.2K OHM,1/6W,J,T-26)	412-3113-048	1	
R101,R102	CARBON FILM RESISTOR(12K OHM,1/6W,J,T-26)	412-3113-051	2	
R113,R114,R129	CARBON FILM RESISTOR(15K OHM,1/6W,J,T-26)	412-3113-053	3	
R109	CARBON FILM RESISTOR((27K OHM,1/6W,J,T-26)	412-3113-054	1	
R155,R156	CARBON FILM RESISTOR(4.7K OHM,1/6W,J,T-26)	412-3113-055	2	
R104	CARBON FILM RESISTOR(470 OHM,1/6W,J,T-26)	412-3113-056	1	
R117	CARBON FILM RESISTOR((3.3K OHM,1/6W,J,T-26)	412-3113-057	1	
R197,R198,R123,R125,R126,R143,R173,R174,R175,R176,R177	CARBON FILM RESISTOR(220 OHM,1/6W,J,T-26)	412-3113-058	11	
R185,R186,R187,R188,R189,R190,R191,R192,R193,R194,R195,R196	CARBON FILM RESISTOR(100 OHM,1/6W,J,T-26)	412-3113-060	12	
R105	CARBON FILM RESISTOR(120K OHM,1/6W,J,T-26)	412-3113-062	1	
R130,R135,R136,R137	CARBON FILM RESISTOR((47K OHM,1/6W,J,T-26)	412-3113-063	4	
R119,R138,R153,R154	CARBON FILM RESISTOR(10K OHM,1/6W,J,T-26)	412-3113-068	4	
R163,R164	CARBON FILM RESISTOR((2.7K OHM,1/6W,J,T-26)	412-3113-073	2	
R118,R133,R161,R162	CARBON FILM RESISTOR(1K OHM,1/6W,J,T-26)	412-3113-078	4	
R132	CARBON FILM RESISTOR(30K OHM,1/6W,J,T-26)	412-DV300-291	1	
R106	CARBON FILM RESISTOR(4.3K OHM,1/6W,J,T-26)	412-HC1421FR-245	1	
R103	CARBON FILM RESISTOR(15 OHM,1/6W,J,T-26)	412-HDJ7150-709	1	
R124,R142,R184	CARBON FILM RESISTOR(10 OHM,1/6W,J,T-26)	412-KC220-132	3	
R183	CARBON FILM RESISTOR(470K OHM,1/6W,J,T-26)	412-KT300-108	1	
R141	CARBON FILM RESISTOR((560 OHM,1/6W,J,T-26)	412-KT346-112	1	
R169	CARBON FILM RESISTOR(27 OHM,1/4W,J,T-52)	412-PRODJ1-451	1	
R157,R158	CARBON FILM RESISTOR(20K OHM,1/6W,J,T-26)	412-STR880-482	2	
D101,D103,D104	SWITCHING DIODE(1SS132/1SS133,300mw,55V,T-77)	414-3113-005	3	
ZD101	ZENER DIODE(MTZJ5.1-B,1/2W,T-77)	414-HDJ200-056	1	
L105,L109	BEAD CORE(86-019-A TAPING)	415-HV3500K-090	2	
L101,L103,L104,L107,L108	INDUCTOR(10uH TAPING 52mm)	415-MPG100-047	5	
L102	MICRO INDUCTOR(33uH)	415-RCC955A-094	1	
	SERVO PCB	405-MCD2450-1238	1	
R181	CHIP RESISTOR(220K OHM,1/8W,0805,J,TP ,150V)	412-DFX1-569	1	
R121,R171,R178	CHIP RESISTOR(10K OHM,1/8W,0805,J,TP 150V)	412-DV330-306	3	
R122	CHIP RESISTOR(100K OHM,1/8W, 0805,J,TP 150V)	412-DV330-307	1	
R139,R116	CHIP RESISTOR(1M OHM,1/8W, 0805,J,TP 150V)	412-DV330-308	2	
R111	CHIP RESISTOR(33K OHM,1/8W,0805,J,TP 150V)	412-DV330-318	1	
R199	CHIP RESISTOR(220 OHM,1/8W,0805,J,TP 150V)	412-DV330-333	1	
R120	CHIP RESISTOR(820K OHM,1/8W,0805,J,TP ,150V)	412-HDJ11-712	1	
R179	CHIP RESISTOR (1.5K OHM,1/8W, 0805,J,TP,150V)	412-QMX1-035	1	
R115,R182	CHIP RESISTOR((470K OHM,1/8W, 0805,J,TP 150V)	412-QMX2-120	2	
R180	CHIP RESISTOR (470 OHM,1/8W, 0805,J,TP,150V)	412-VCDG3-395	1	
C123	CHIP CAPACITOR(220pF/50V,J,0805 TYPE,NPO)	413-AMC110D-5104	1	
C139	CHIP CAPACITOR(100pF/50V,J,0805 TYPE,NPO)	413-DV330-310	1	
C164,C183,C184,C116,C117,C118,C129,C131,C134,C136,C138,C141	CHIP CAPACITOR(0.1uF/ 50V,Z,0805 TYPE,Y5V)	413-DV330-313	12	

CD2 SERVO P.C.B ASS'Y PART LIST

REF NO.	DESCRIPTION	PART NO.	Q'TY	REMARK
C174,C175	CHIP CAPACITOR(20pF/ 50V,J,0805 TYPE,NPO)	413-DV330-315	2	
C120	CHIP CAPACITOR(5pF/50V,J,0805 TYPE,NPO)	413-DV330-325	1	
C133	CHIP CAPACITOR(0.068uF)	413-SMX701-755	1	
IC105	IC(PCM1716E,28PIN,SOP)	417-DCM270X-327A	1	
IC102	IC(CXD3068Q,QFP-80,SMD)	417-DCM280-587	1	
IC101	IC(CXA-2581N,SSOP-30,SMD)	417-DCM280-588	1	
IC108	IC(BA15218F/BA15218FE2,SOP-8)	417-QMX2-167	1	
IC103	SERVO IC ASS'Y(CHECK SUM:A21D/23)	704-M510-5514	1	
	IC(SM8952AC25J,PLCC-44)	417-HDJ2450-693C	1	

CONTROL P.C.B ASS'Y PART LIST

REF NO.	DESCRIPTION	PART NO.	Q'TY	REMARK
	CONTROL PCB ASS'Y	704-M510-5510	1	
	BRACKET(L TYPE)	300-HDJ7000-472	2	
W01,W02	4P CONNECTOR(P=2.54mm,SHD106-A03 TYPE)	404-QFX19-1621	2	
D214,D227,D247,D206,D208	LED (RED)	410-CD6000-122	5	
D207,D216	LED (YELLOW)	410-CD6000-123	2	
D228,D221	LED (GREEN)	410-CD6000-124	2	
D219,D220,D233,D234	LED(LTL1CHJGDNN,GREEN)	410-DJ5000-252	4	
D235,D236,D209,D210	LED(LTL1CHJEDNN,RED)	410-DJ5000-253	4	
D211,D212,D217,D218,D229,D230,D231,D232	LED (LTL1CHJSDNN,YELLOW)	410-HDJ2000-162	8	
LED201,LED202	BACKLIGHT(BCS-002353BN)	410-HDJ2400W-194	2	
LCD201,LCD202	LCD(UTN-H406EV)	410-HDJP2450-273	2	
J40	CARBON FILM RESISTOR(10K OHM,1/6W,J,T-26)	412-3113-068	1	
RB204	THICK FILM RESISTOR NETWORKS(10K OHM,J,RA TYPE,5R6P)	412-HDJ200-263	1	
R203,R213	CARBON FILM RESISTOR(100 OHM,1/4W,J,T-52)	412-PMSE1-279	2	
	CERAMIC CAPACITOR(0.1uF/50V,Z,TAPING,Y5V)	413-3113-035	3	
	CERAMIC CAPACITOR(1500pF/50V,K,TAPING,Y5P)	413-3113-041	2	
C202,C217,C227	ELEC. CAPACITOR(100uF/10V,M,105°C,TAPING 5*11)(Cd,Pb,Hg,Cr)	413-3113-046	3	
C226	ELEC. CAPACITOR(4.7uF/50V,M,105°C,TAPING 5*11)(Cd,Pb,Hg,Cr)	413-3113-050	1	
L201	BEAD CORE(86-019-A TAPING)	415-HV3500K-090	1	
VR201,VR202	SLIDE RESISTOR(10KB*2)	418-CD1000-052	2	
CN01	SERIES STRIP PIN HEADER(90 DEGREES,2mm)	424-CDN88-032	1	
X202	CRYSTAL 8MHZ	427-DV300-5017	1	
X201	CRYSTAL(18.432MHZ)	427-DV330-042	1	
D213,D214,D216,D227,D228,D247,D206,D207,D208,D215,D221	LED HOLDER(LED-7,H=7mm,WHITE)	504-CDN34A-042	11	
	SCREW(3*5 P=0.5)	602-B300-041	2	
	ADAPTOR PCB ASS'Y	704-DCD310-5477	1	
	BRACKET(L TYPE)	300-HDJ7000-472	1	
JK201	DIN SOCKET SUPPORT BRACKET	300-HDJ7000-473	1	
CN01A	SERIES FEMALE PCB CONNECTORS	404-CDN88-017	1	
	LEAD WIRE(L=30mm,AWM1007 AWG26,BLACK)	406-MX3000-720	1	
RB205	THICK FILM RESISTOR NETWORKS(10K OHM,1/8W J,RA TYPE,6R7P)	412-KMD280-165	1	
	BEAD CORE(86-019-A TAPING)	415-HV3500K-090	1	
IC203	IC(BA05T,3PIN)	417-CDN34A-314	1	
JK201	8P DIN JACK(MDJ18-08)	420-HDJ7000-046A	1	
JK202,JK203	HEADPHONE JACK(§ 3.5,2K6A/3537*01-030)	420-HDJ7100-063	2	
	HEAT SINK	425-P22-070	1	
	SCREW(3*8mm BTP)	602-2002-077	1	
	SCREW(3*5 P=0.5)	602-B300-041	1	
C222,C223,C224,C225	CERAMIC CAPACITOR(1000PF/50V,K,TAPING,Y5P)	413-1430-071	4	
C207,C208,C209,C210,C211,C212	CERAMIC CAPACITOR(220pF/50V,K,TAPING,Y5P)	413-3113-032	6	
C201,C239	CERAMIC CAPACITOR(0.1uF/50V,Z,TAPING,Y5V)	413-3113-035	2	
C240	ELEC. CAPACITOR(100uF/10V,M,105°C,TAPING 5*11)(Cd,Pb,Hg,Cr)	413-3113-046	1	
	ADAPTOR PCB(BARE)	405-310-1480	1	

CONTROL P.C.B ASS'Y PART LIST

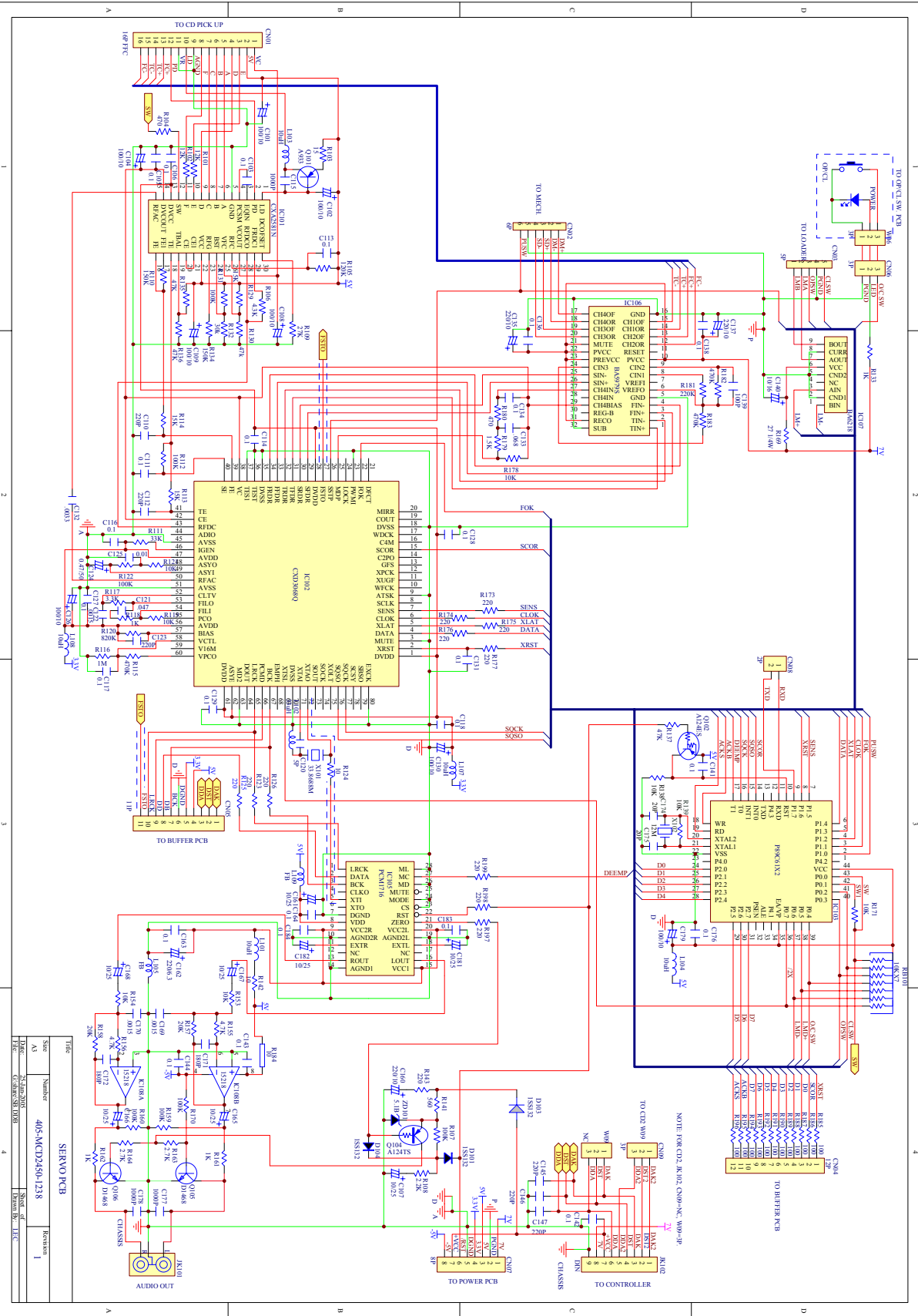
REF NO.	DESCRIPTION	PART NO.	Q'TY	REMARK
R204,R205,R206,R207,R208,R209	CARBON FILM RESISTOR(220 OHM,1/6W,J,T-26)	412-3113-058	6	
L202,L203,L204,L205	BEAD CORE(86-019-A TAPING)	415-HV3500K-090	4	
SW201,SW202,SW203,S W204,SW205,SW206,SW2 07,SW208,SW209,SW210, SW211,SW212,SW213,S W214,SW215,SW216,SW2 17,SW218,SW219,SW220, SW221,SW222,SW223,S W224,SW225,SW226,SW2 27,SW228,SW229,SW230, SW231,SW232,SW233,S W234,SW235,SW236,SW2 37	TACT SW(H=5mm,TAPING)	403-DCM270X-101A	37	
C237	CERAMIC CAPACITOR(0.1uF/50V,Z,TAPING,Y5V)	413-3113-035	1	
Q206,Q207,Q208	TRANSISTOR(2SA933SR TAPING OR 2SA608G)	416-3113-008	3	
	CONTROL PCB ASS'Y SMT	704-M510-5510C	1	
IC201	PLCC IC SOCKET(44PIN,SMD)	404-HDJ7100-788	1	
	CONTROL PCB(425*98mm)	405-310-1479	1	
R214,R215,R216,R217,R222,R223	CHIP RESISTOR(270 OHM 1/8W 0805 J TP 150V)	412-CDN88-014	6	
J03,J22,J23,J31,J34,J102, J103,J104,J106,J111,J112, J113,J114,J13,J14,J15,J18 ,J19,J20,J21,J25,J27,J28,J 29,J35,J36,J37,J42,J44,J5 1,J54,J57,J59,J63,J67,J72, J75,J76,J77,J78,J84,J85,J 87,J88,J95,J96,J99	CHIP RESISTOR(0 OHM,1/8W,1206,J,TP ,150V)	412-DJ3000-414	47	
R230,R232	CHIP RESISTOR(1K OHM,1/8W, 0805,J,TP 150V)	412-DV330-305	2	
R260,R261,R262,R263,R2 64,R265,R266,R267,R202, R211,R212	CHIP RESISTOR(10K OHM,1/8W,0805,J,TP 150V)	412-DV330-306	11	
R201	CHIP RESISTOR(1M OHM,1/8W, 0805,J,TP 150V)	412-DV330-308	1	
R224,R247	CHIP RESISTOR(2.2K OHM,1/8W,0805,J,TP 150V)	412-DV330-313	2	
R210	CHIP RESISTOR(3.3K OHM,1/8W, 0805,J,TP,150V)	412-DV330-317	1	
R218,R219,R220,R221,R2 26,R227,R228,R248,R249, R250,R251,R252,R253,R2 54,R255,R239	CHIP RESISTOR(220 OHM,1/8W,0805,J,TP 150V)	412-DV330-333	16	
R229,R231	CHIP RESISTOR((470K OHM,1/8W, 0805,J,TP 150V)	412-QMX2-120	2	
C233,C234	CHIP CAPACITOR(30pF/50V,J,0805 TYPE,NPO)	413-BJ2300E-628	2	
C213,C214,C215,C216	CHIP CAPACITOR(0.01uF/50V,K,0805 TYPE,X7R)	413-DV330-312	4	
C237,C203,C218,C228,C232	CHIP CAPACITOR(0.1uF/ 50V,Z,0805 TYPE,Y5V)	413-DV330-313	5	
C204,C205	CHIP CAPACITOR(20pF/ 50V,J,0805 TYPE,NPO)	413-DV330-315	2	
D237,D205,D222,D223,D2 24,D225,D226	SWITCHING DIODE(1SS355,UMD2,SMD,TAPING)	414-CD1000-075	7	
Q205	TRANSISTOR(DTC124EKAT146/DTC124EKA)	416-CDN88-044	1	
IC206	IC(74AHC595D/74AHC595DR,SOP-16)	417-HDJ9800-643	1	
IC204,IC205	IC(BU9728AKV,SQFP-48)	417-P22-741	2	
IC202	IC ASS'Y(CHECK SUM:670C/4)	704-P22NS-5474	1	
	IC(TMP86P202M/TMP86P202P/M,SOP20)	417-P22-733	1	
IC201	CONTROL IC ASS'Y(CHECK SUM:EB82/17)	704-M510-5511	1	
	IC(SM8958AC25J,PLCC-44)	417-HDJ2450-693A	1	

POWER P.C.B ASS'Y PART LIST

REF NO.	DESCRIPTION	PART NO.	Q'TY	REMARK
	POWER PCB ASS'Y	704-P22NS-5465	1	
CN01	5P SOCKET(P=3.75mm)	404-HV3363K-555	1	
CN02	8P 2.5 CONNECTOR WIRE(L=300mm)	404-P22-1998	1	
CN03	8P 2.5 CONNECTOR WIRE(L=370mm)	404-P22-1999	1	
C01	ELEC. CAPACITOR(2200uF/16V,M, 105°C ,BULK 13*21)(Cd,Pb,Hg,Cr)	413-3113-053	1	
C04	ELEC. CAPACITOR(3300uF/16V,M, 105°C ,BULK 13*26)(Cd,Pb,Hg,Cr)	413-HDJ200-230	1	
D07,D08	DIODE(1N4001,1A/50V,TAPING 52mm)	414-DJ2500-110	2	
D01,D02,D03,D04,D05,D06	RECTIFYING DIODE(1N5392,1.5A/100V,TAPING 52mm)	414-HT7016-031	6	
IC01	IC(BA05T,3PIN)	417-CDN34A-314	1	
IC03	IC(BA033T/FP 3.3V TO220FP 3PIN)	417-HV3500K-253	1	
IC05	IC(AP-1084,TO220M)	417-P22-734	1	
IC01,IC03,IC05	HEAT SINK	425-HDJ2650-040	3	
	MICA SHEET	501-P22-1824	1	
	CABLE TIE	504-S100-004	2	
	SCREW(3*8mm BTP)	602-2002-077	3	
D05*2,D06*2	CERAMIC TUBE (4*2*11.5mm)	605-KMD510P-034	4	
	TRANSISTOR SPACER(602S-VO)	606-P22-206	1	
	POWER PCB RT ASS'Y	704-P22NS-5465B	1	
C14,C15,C16	CERAMIC CAPACITOR(0.01uF/50V,Z,TAPING,Z5V)	413-3113-028	3	
C03,C06,C07,C11	CERAMIC CAPACITOR(0.1uF/50V,Z,TAPING,Y5V)	413-3113-035	4	
C12	ELEC. CAPACITOR(2.2uF/50V,M,105°C ,TAPING 5*11)(Cd,Pb,Hg,Cr)	413-3113-045	1	
C05	ELEC. CAPACITOR(470uF/16V,M, 105°C ,TAPING 8*12)(Cd,Pb,Hg,Cr)	413-HT8015-164	1	
C02	ELEC. CAPACITOR(470uF/10V,M, 105°C ,TAPING 8*12)(Cd,Pb,Hg,Cr)	413-HT8015-169	1	
C08,C09,C10	ELEC. CAPACITOR(220uF/10V,M,105°C ,TAPING 6.3*11)(Cd,Pb,Hg,Cr)	413-KC220-119	3	
IC02	IC(79L05A,TAPING,TO-92)	417-CDN44-392	1	
R06	CARBON FILM RESISTOR(4.7K OHM,1/6W,J,T-26)	412-3113-055	1	
R03	CARBON FILM RESISTOR(2.2K OHM,1/6W F T-26)	412-P22-960	1	
R05	CARBON FILM RESISTOR(470 OHM,1/6W,F,T-26)	412-P22-961	1	
	POWER PCB(94V0,1.6t,140*100mm)	405-HDJP2450-1458A	1	
IC04	IC(BD4745G/BD4745G-TR)	417-HDJ2000-503	1	
FU01,FU02,FU03	CHIP FUSE(2.5A/63V)	422-120-064	3	

OTHER P.C.B ASS'Y PART LIST

REF NO.	DESCRIPTION	PART NO.	Q'TY	REMARK
	SENSOR PCB ASS'Y	704-DCD310-5478	2	
D201,D202	IC(RPI-352)	417-CDN88-165	2	
CN203	4P 2.54 SINGLE SERIES PIN LEADER(L=23mm,180°)	424-110-116	1	
	SENSOR PCB	405-MCD110-1464	1	
R233,R234	CHIP RESISTOR(10K OHM,1/8W,0805,J,TP 150V)	412-DV330-306	2	
R235,R237	CHIP RESISTOR(12K OHM,1/8W, 0805,J,TP,150V)	412-DV330-330	2	
R236,R238	CHIP RESISTOR (470 OHM,1/8W, 0805,J,TP,150V)	412-VCDG3-395	2	
Q201,Q202	TRANSISTOR(DTC124EKAT146/DTC124EKA)	416-CDN88-044	2	
	D-OUT PCB ASS'Y	704-DCD310-5482	2	
CN301	2P SOCKET(S2B-PH-K,P=2mm,JST,90 DEGREE)	404-DJ3000-847	1	
JK301	1P RCA JACK(RJ-1081-31-0341A)	420-HDJ2650-097A	1	
	D-OUT PCB RT ASS'Y	704-DCD310-5482B	1	
C302	CERAMIC CAPACITOR(0.1uF/50V,Z,TAPING,Y5V)	413-3113-035	1	
C303	ELEC. CAPACITOR(100uF/10V,M,105°C,TAPING 5*11)(Cd,Pb,Hg,Cr)	413-3113-046	1	
C301	ELEC. CAPACTIOR(10uF/25V,M,105°C,TAPING 5*11)(Cd,Pb,Hg,Cr)	413-3113-052	1	
Q301	TRANSISTOR(2SC1740R TAPING)	416-3113-007	1	
	D-OUT PCB(BARE,94V0,120*123*1.6t)	405-HDJ2650-649A	1	
R302	CARBON FILM RESISTOR(100K OHM,1/6W,J,T-26)	412-3113-047	1	
R304	CARBON FILM RESISTOR(4.7K OHM,1/6W,J,T-26)	412-3113-055	1	
R303	CARBON FILM RESISTOR(220 OHM,1/6W,J,T-26)	412-3113-058	1	
R305	CARBON FILM RESISTOR(6.8K OHM,1/6W,J,T-26)	412-3113-069	1	
R306	CARBON FILM RESISTOR(6.2K OHM,1/6W,J,T-26)	412-HV3363K-349	1	
R301	CARBON FILM RESISTOR(75 OHM,1/6W,J,T-26)	412-KCG220-197	1	
L301	INDUCTOR(10uH TAPING 52mm)	415-MPG100-047	1	
	SW PCB ASS'Y	704-DCD310-5539	1	
SW101*2	TACT SW(SKHHAM2520-HF,4PIN)	403-HV3420K-085	2	
W08	3P-3P CONNECTOR WIRE ASS' Y(L=110mm,P=2-2.5mm)	404-HDJ7100-772	1	
W08A	2P-3P CONNECTOR WIRE ASS' Y(L=270mm,P=2-2.5mm)(Pb,Cd)	404-HDJ7100-773	1	
	KNOB PCB	405-HDJ7100-387A	1	
D105	LED (LTL42UB5N,BLUE)	410-NT2000-149	1	
	LED HOLDER(LED-7,H=7mm,WHITE)	504-CDN34A-042	1	
	AC JACK ASS'Y	704-MCD110-5706	1	
	AC JACK(SO-222-14RP)	404-DJ2-021	1	
	AC JACK PCB(394V0,37*34*1.6t)	405-DJ2-062A	1	
FUSE	JUMPER	406-3113-175	0	
	BEAD CORE(86-019-A TAPING)	415-HV3500K-090	2	



FILE	NUMBER	REVISION
405-MCD2450-1238	1	1
DATE	DESIGNED BY	DATE
DATE	DESIGNED BY	DATE

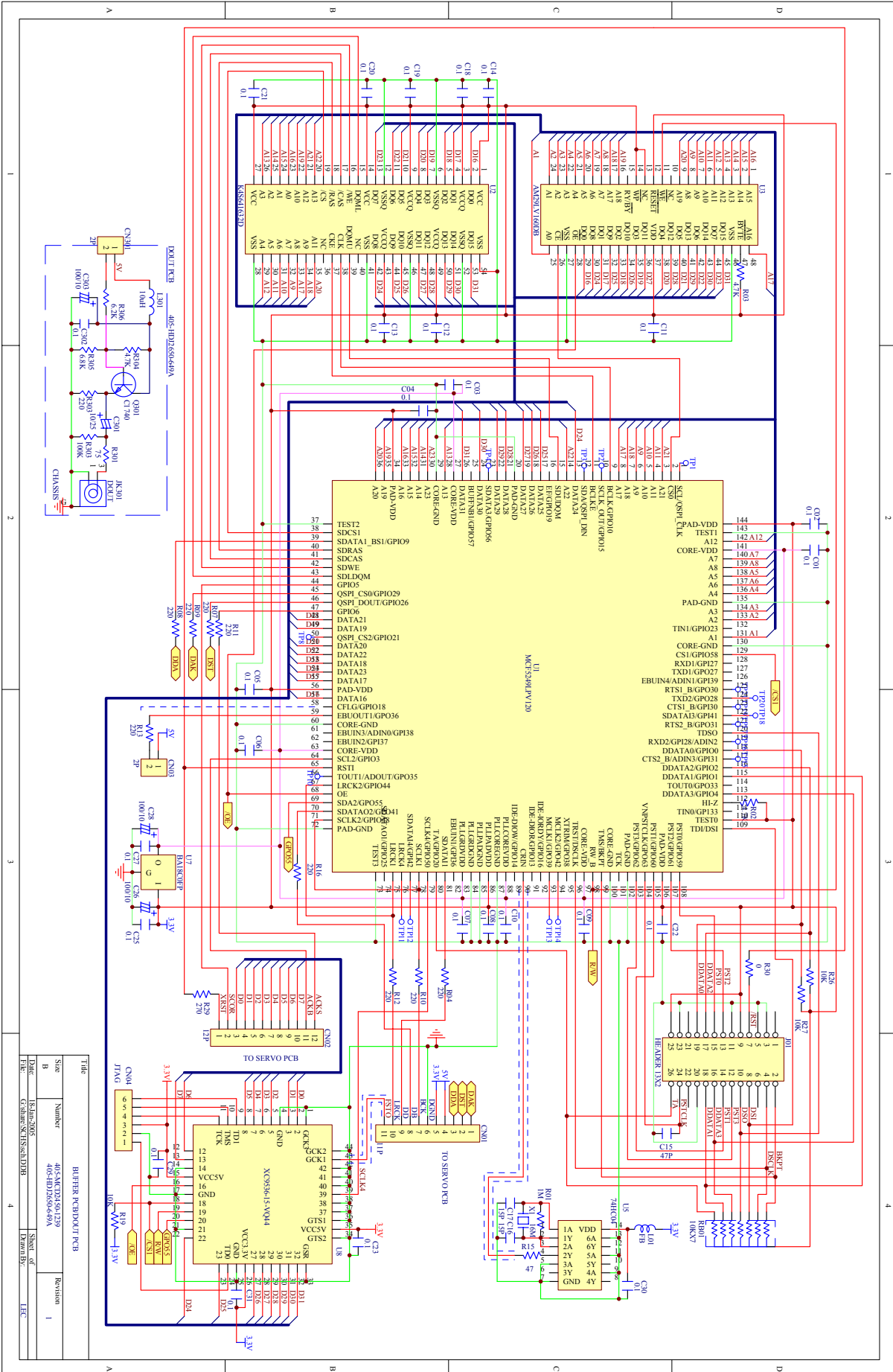
SERVO PCB

405-MCD2450-1238

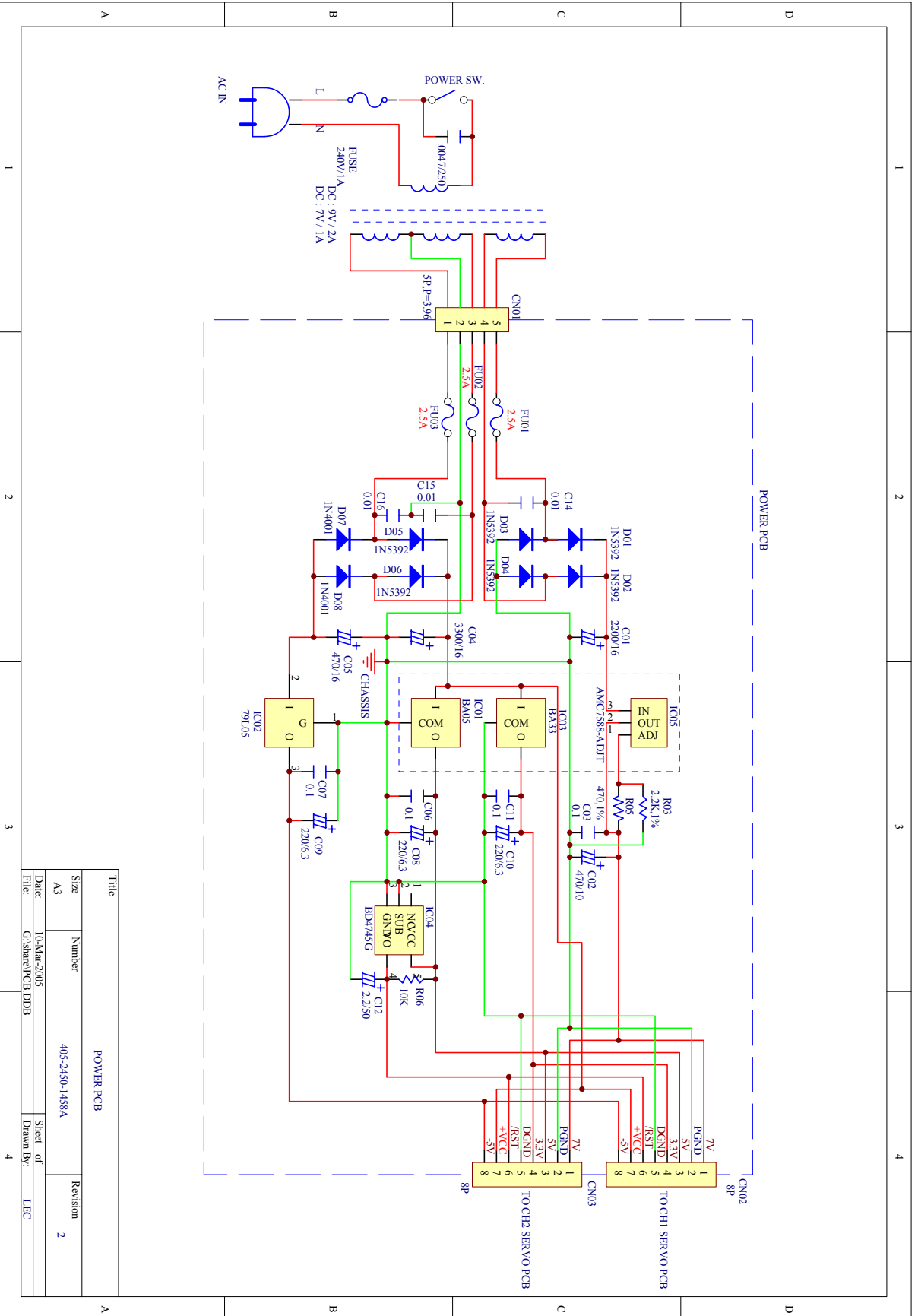
REV. 1

DESIGNED BY: [Name]

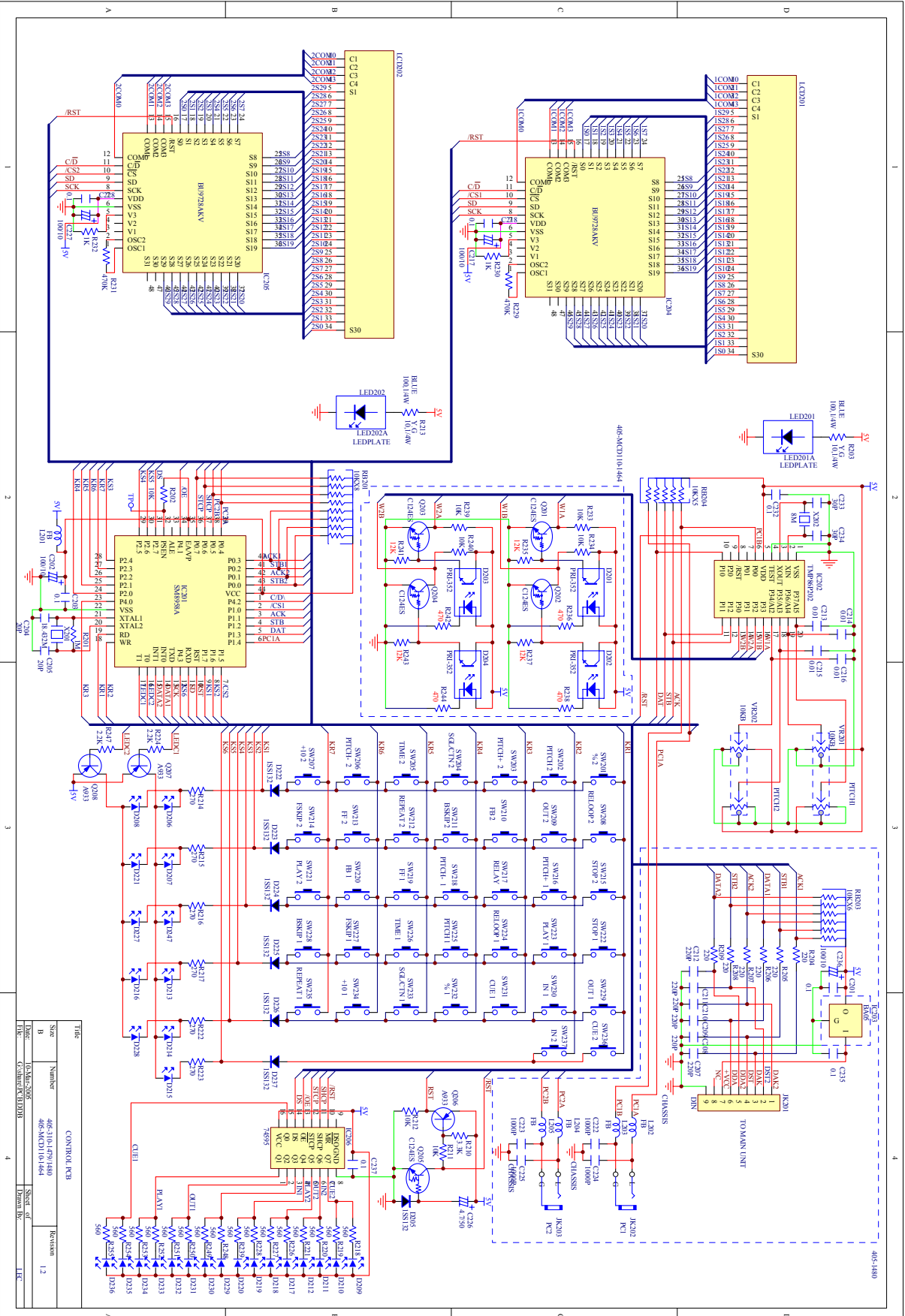
NOTE FOR CD2: R102, C106-NC, W99-SP



Title		BLUETHEM PCBOARD PCB	
Size	Number	405.SMT.D250.1239	Revision
Date	Blank	405.10.25.06.04A	1
Drawn	Checked	C:\BUREAU\SHS\SHS.DRAW	Drawn By
			TEC

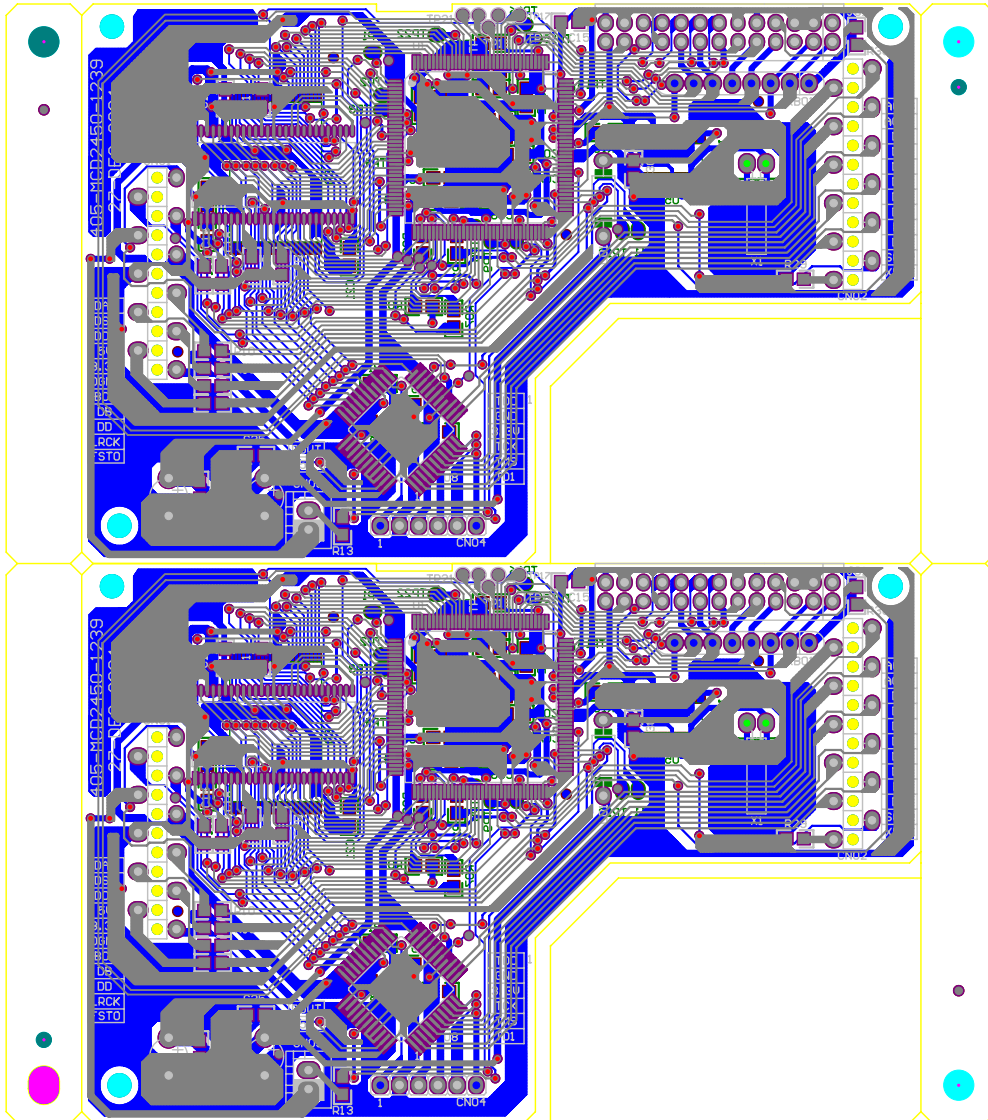


Title		POWER PCB	
Size	Number	Revision	
A3	405-2450-1458A	2	
Date:	10-Mar-2005	Sheet of	
File:	G:\Share\PCB\DDH	Drawn By:	LJC

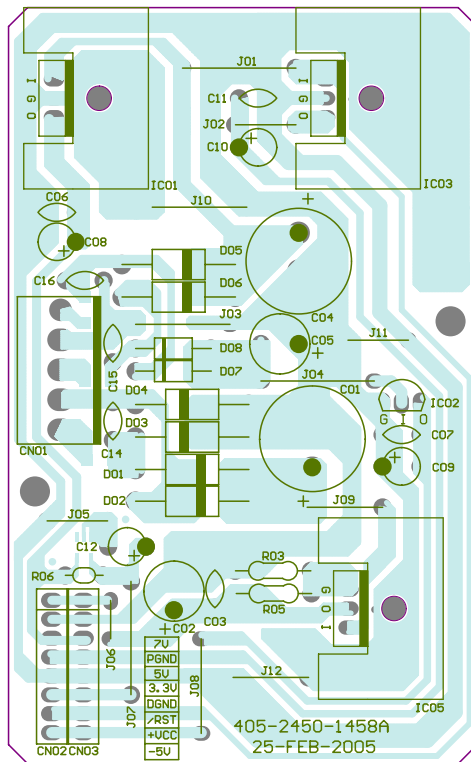
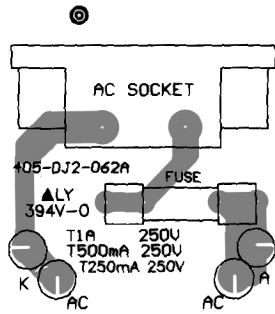


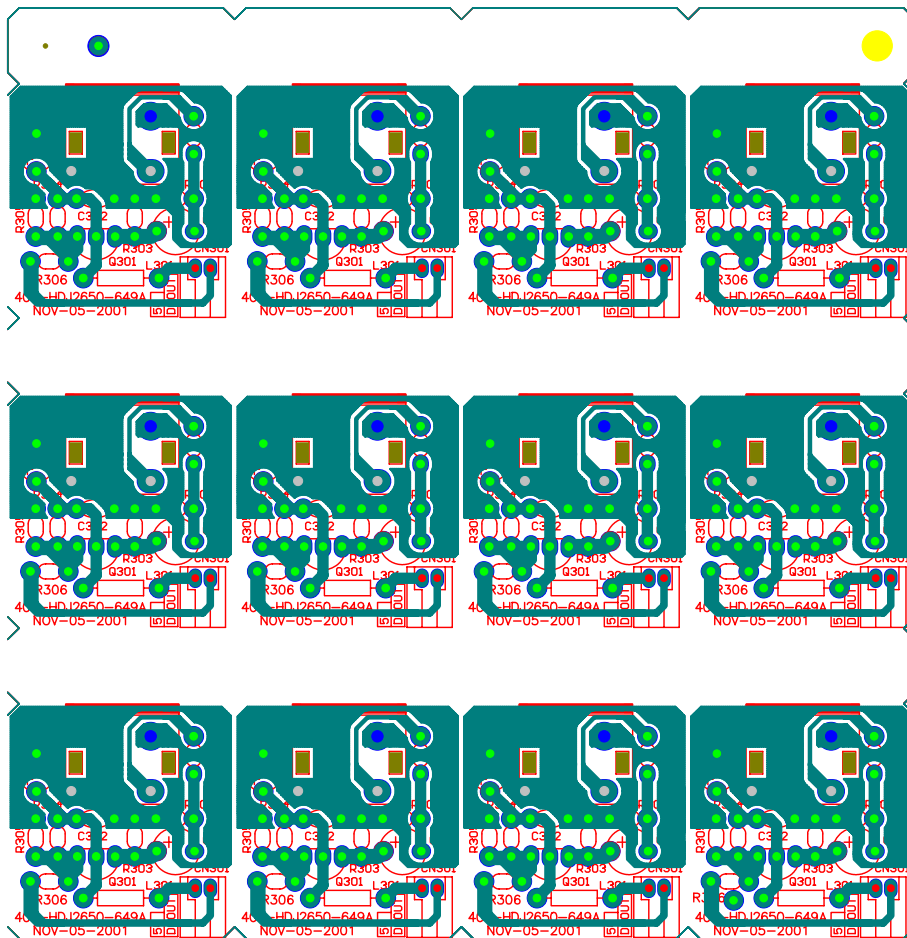
CONTROL PCB			
SIZE	NUMBER	DATE	REV
B	406-MC(1)0-444	12/2006	1.2
DRAWN BY: THE COMPANY/12/2006			

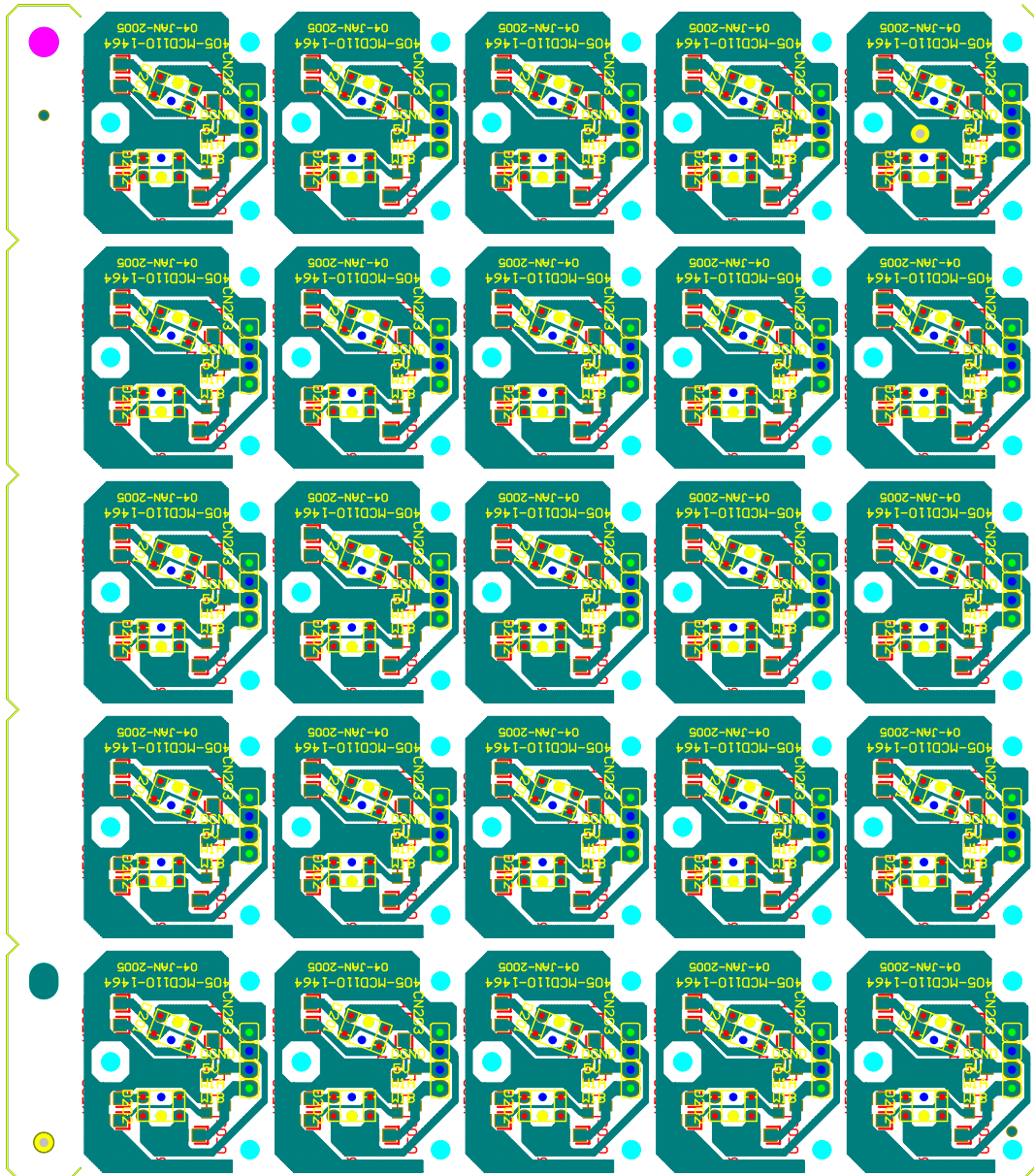
406-1480

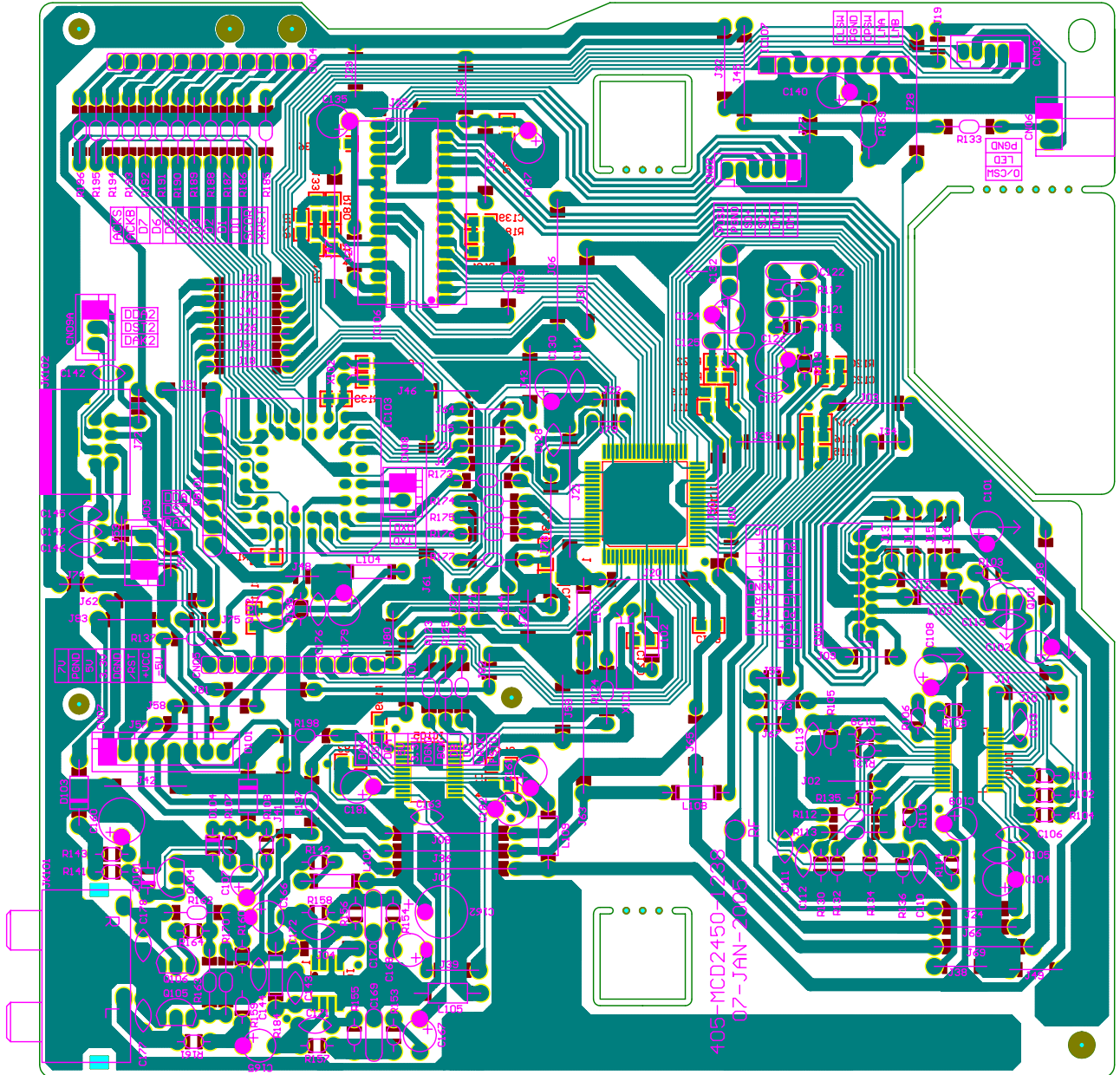


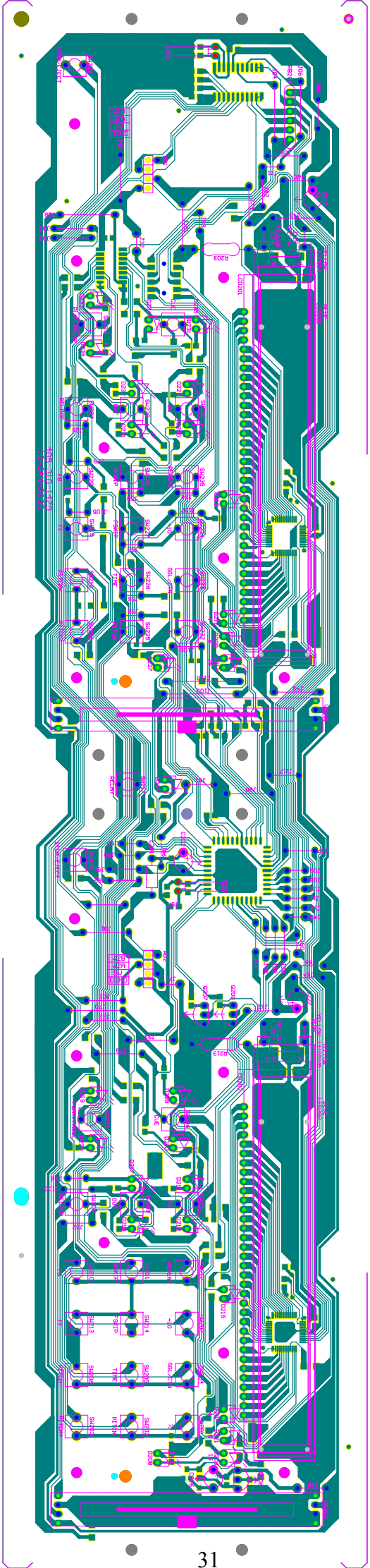
AC JACK PCB

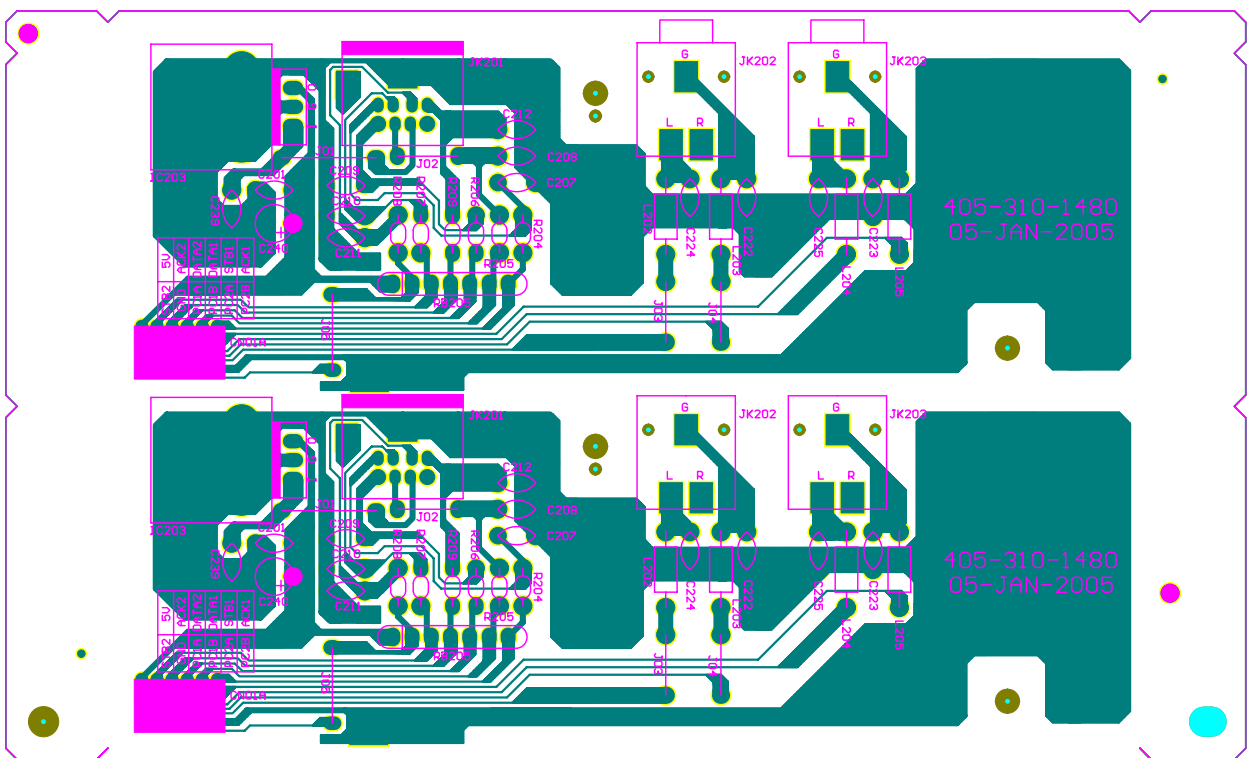






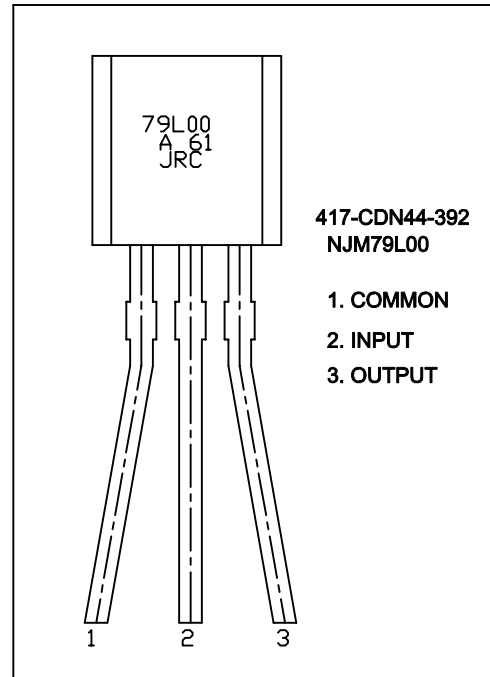
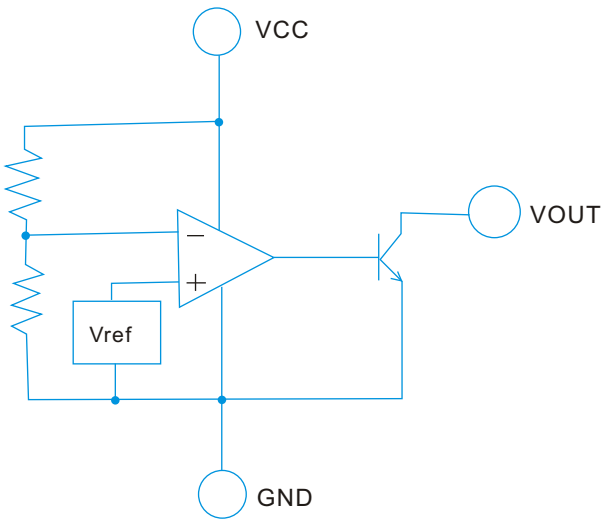




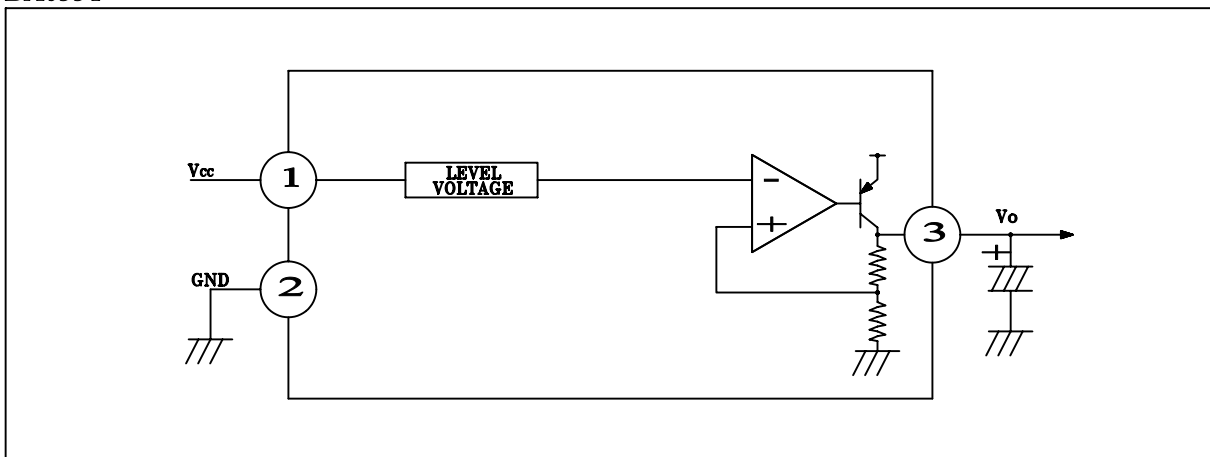


IC Block Diagram

417-HDJ2000-503 IC(BD4745G/BD4745G-TR)



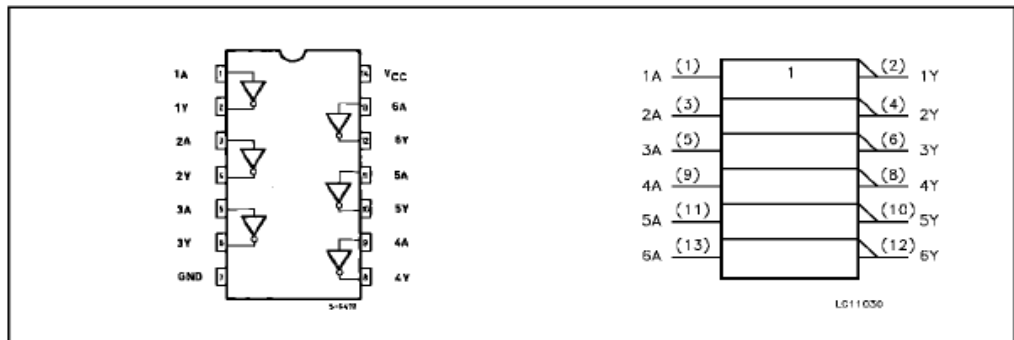
417-HV3500K-253
BA033T



417-DCM370E3-378 IC(74HC04/74HC04DT,SOP-14)

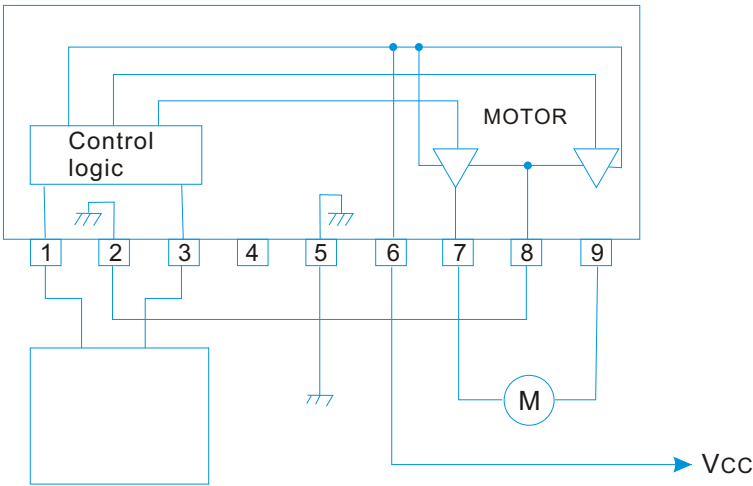


SOP

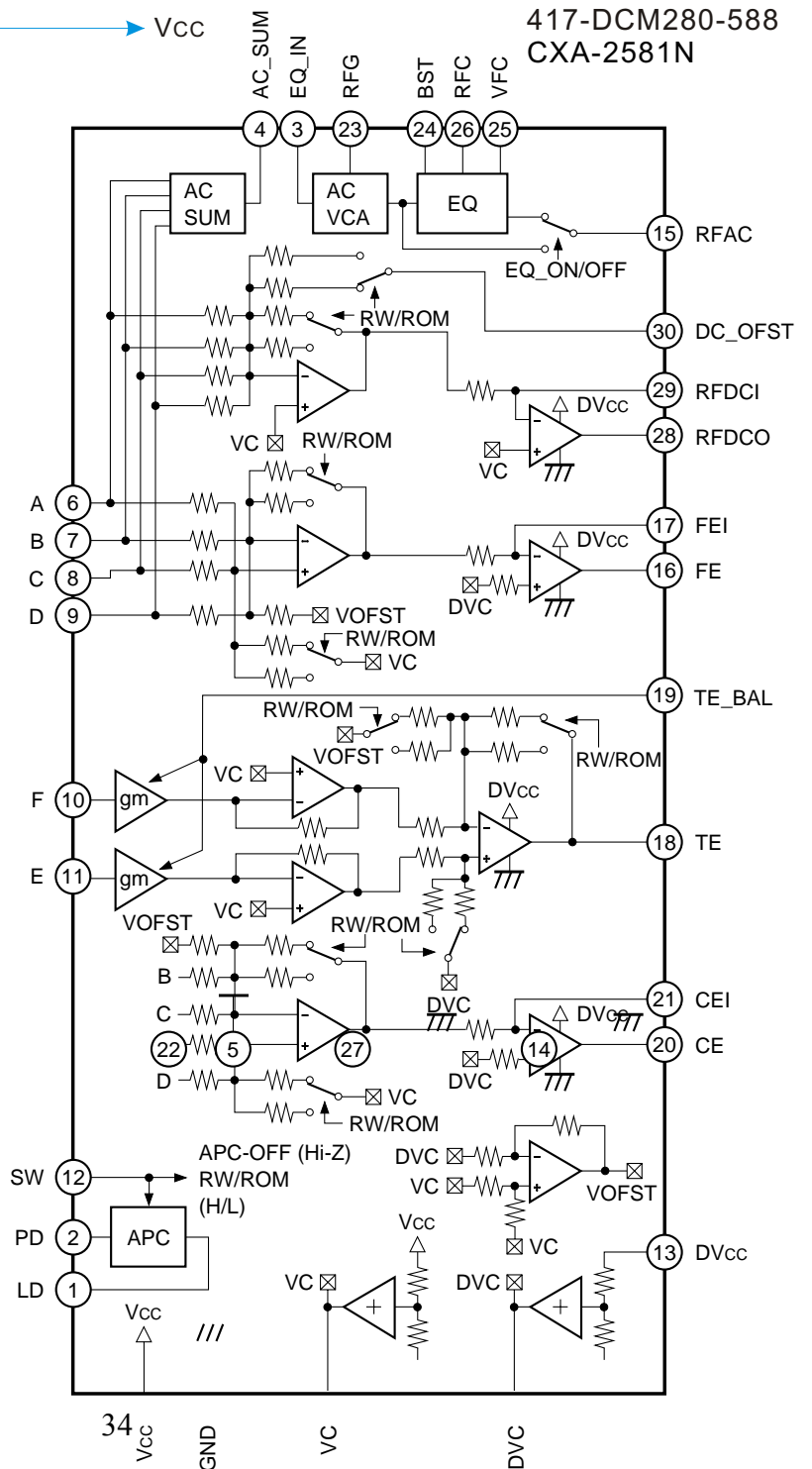


IC Block Diagram

417-KC720-049
BA6218

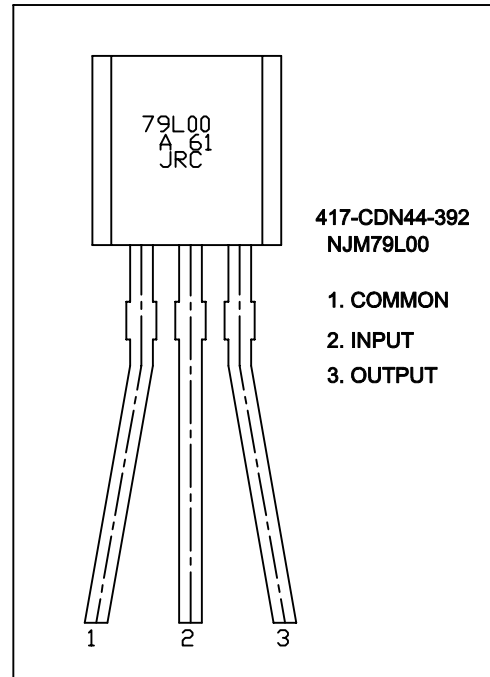
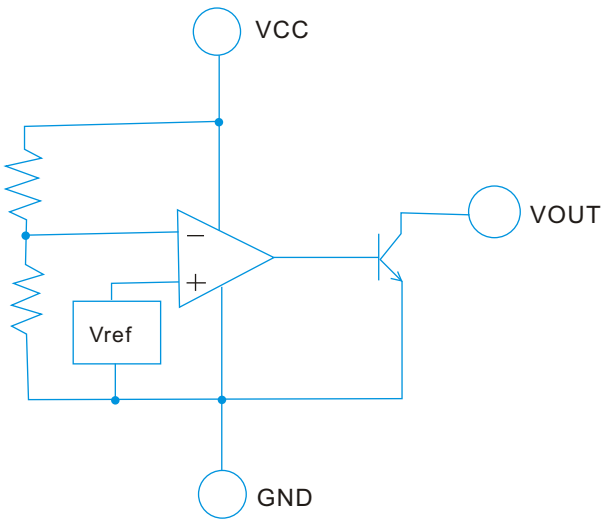


417-DCM280-588
CXA-2581N

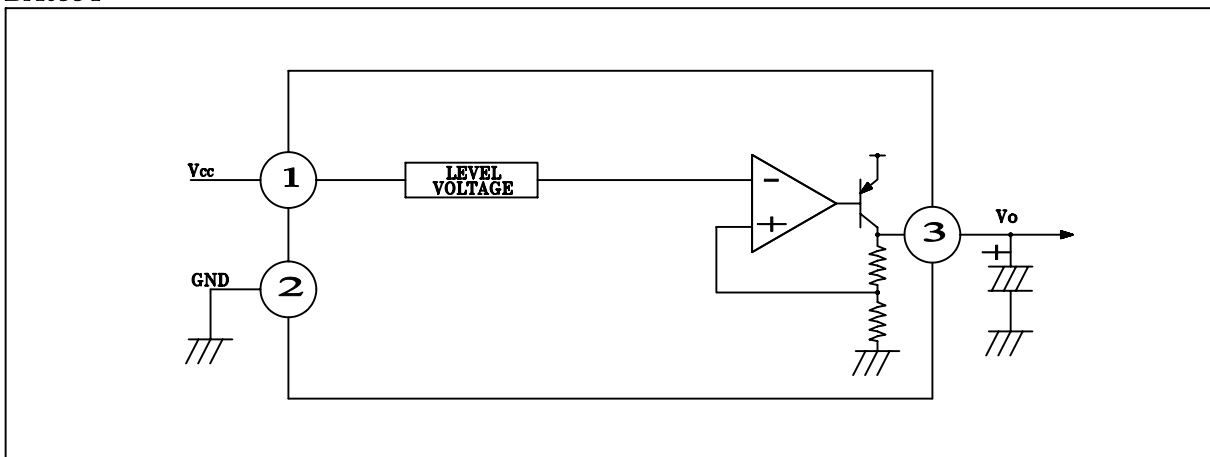


IC Block Diagram

417-HDJ2000-503 IC(BD4745G/BD4745G-TR)



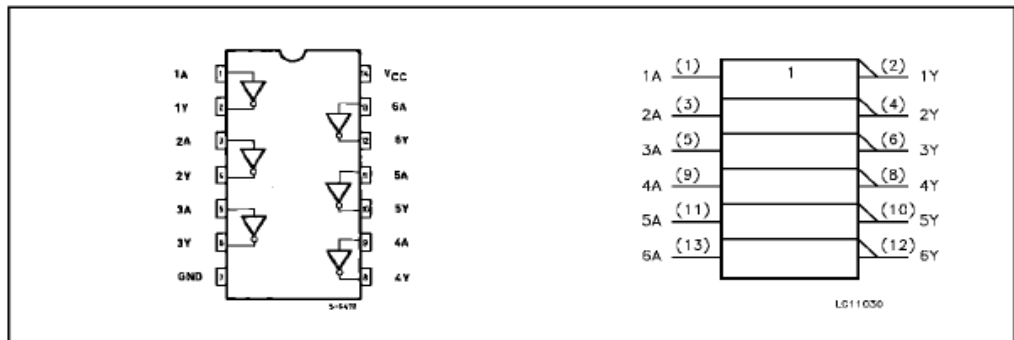
417-HV3500K-253
BA033T



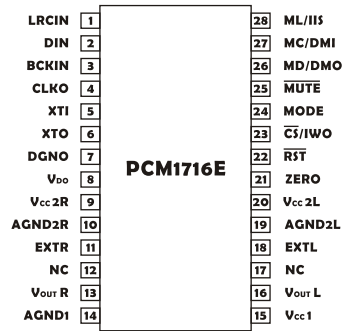
417-DCM370E3-378 IC(74HC04/74HC04DT,SOP-14)



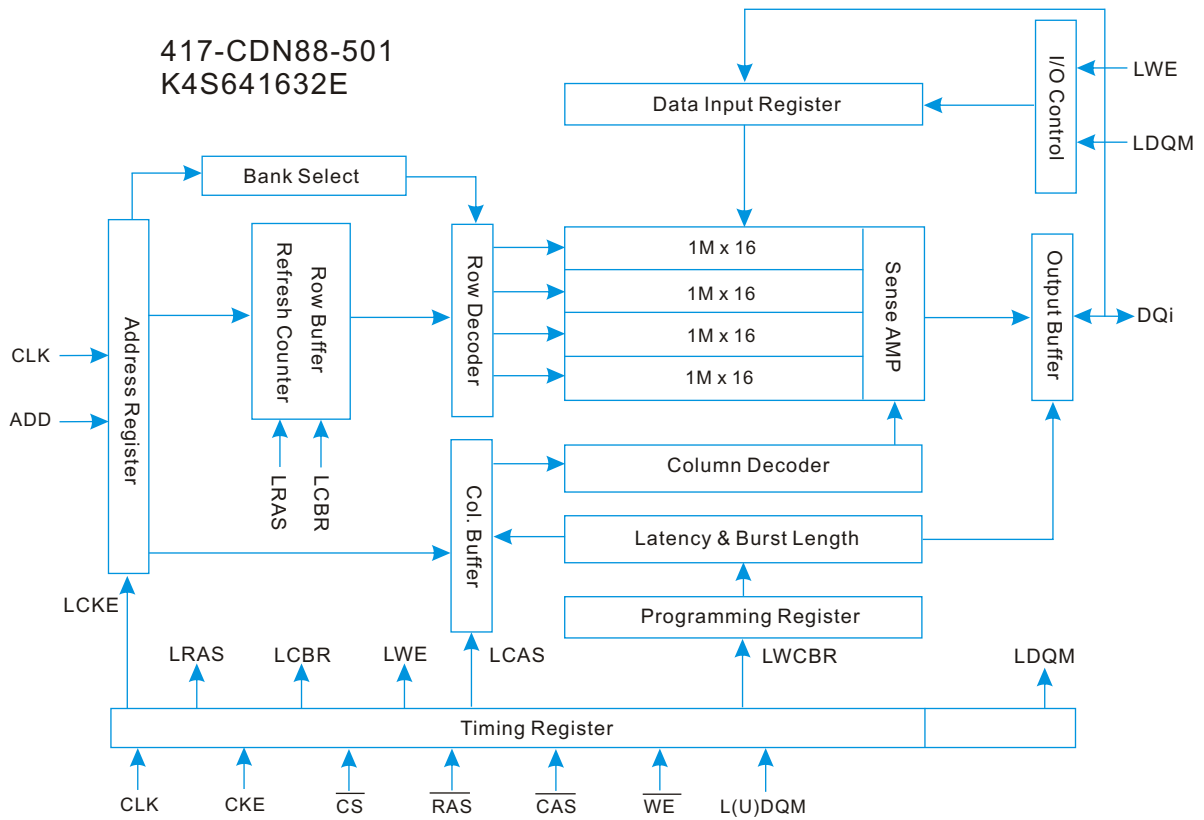
SOP



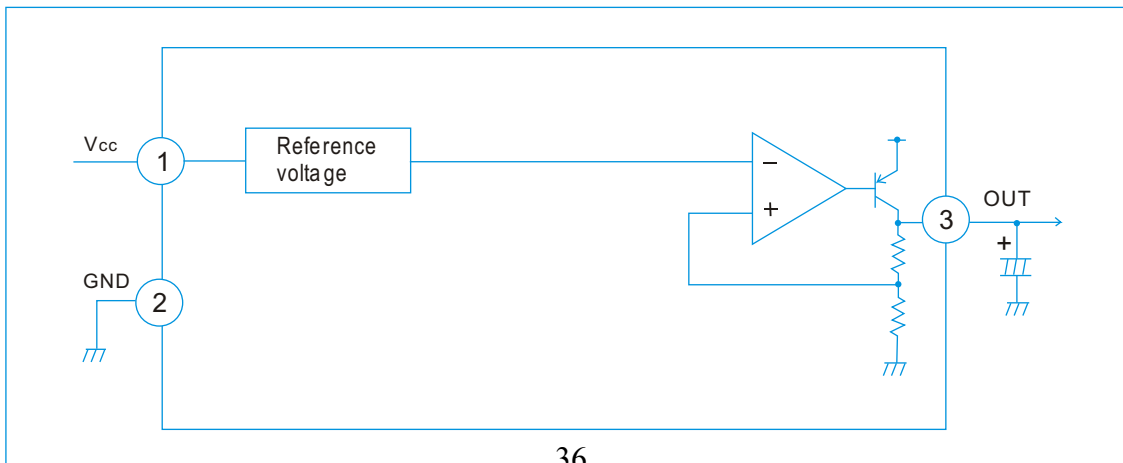
417-DCM270X-327A

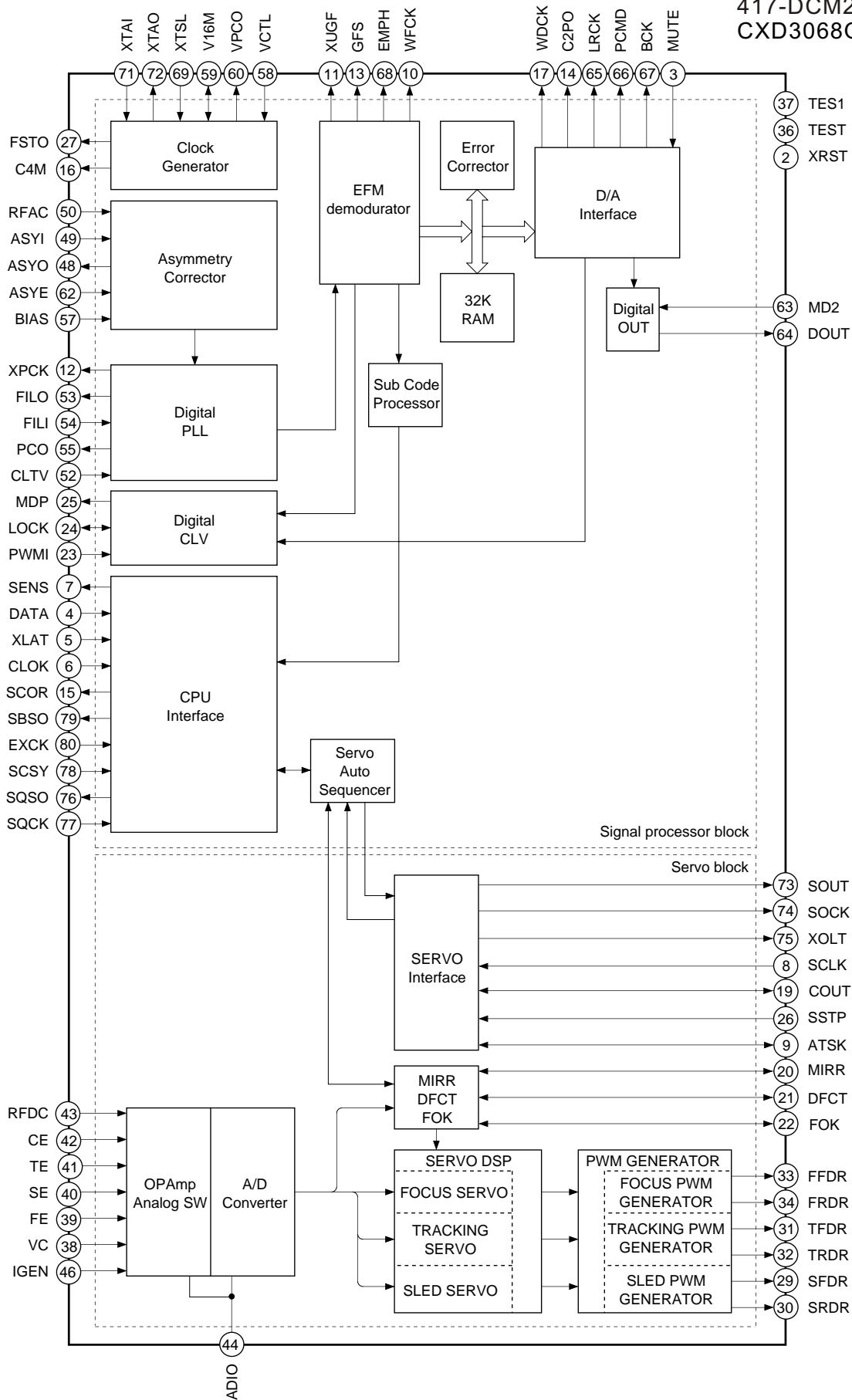


417-CDN88-501
K4S641632E



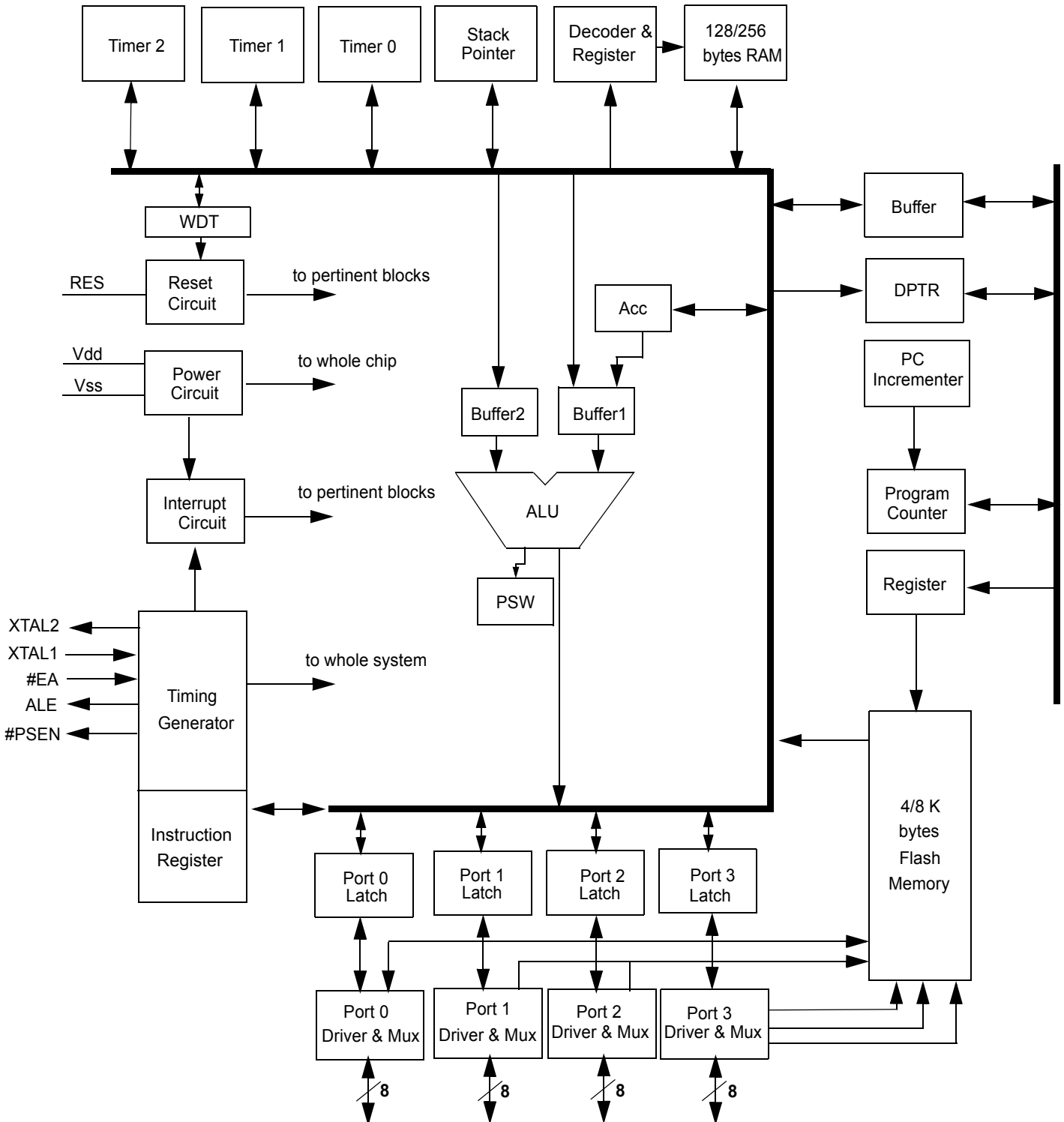
417-CDN34A-314
BA05T

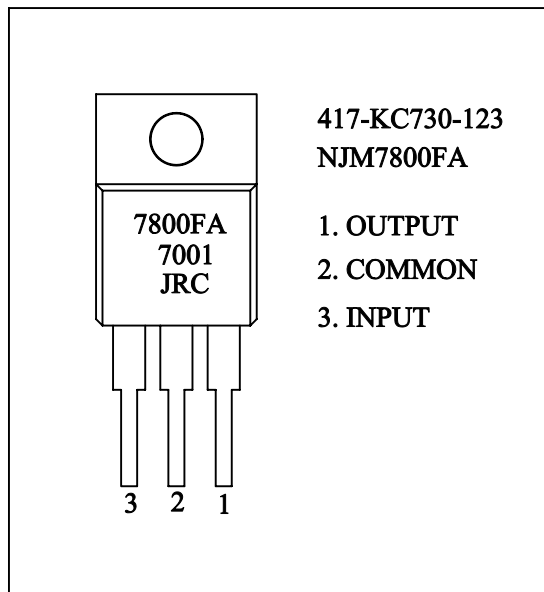




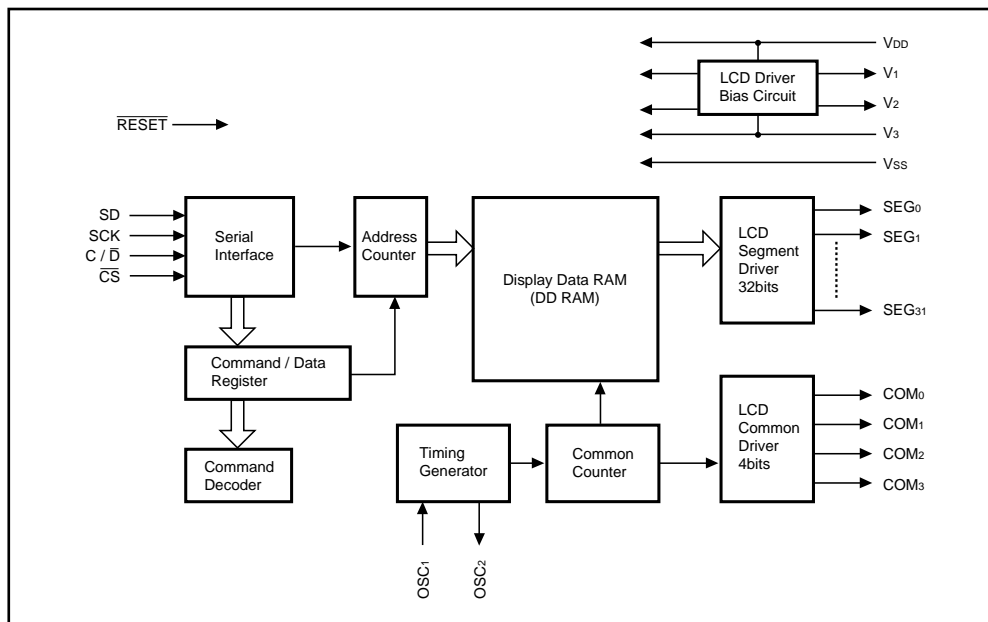
IC Block Diagram

417-HDJ2450-693C
SM8951/SM8952A

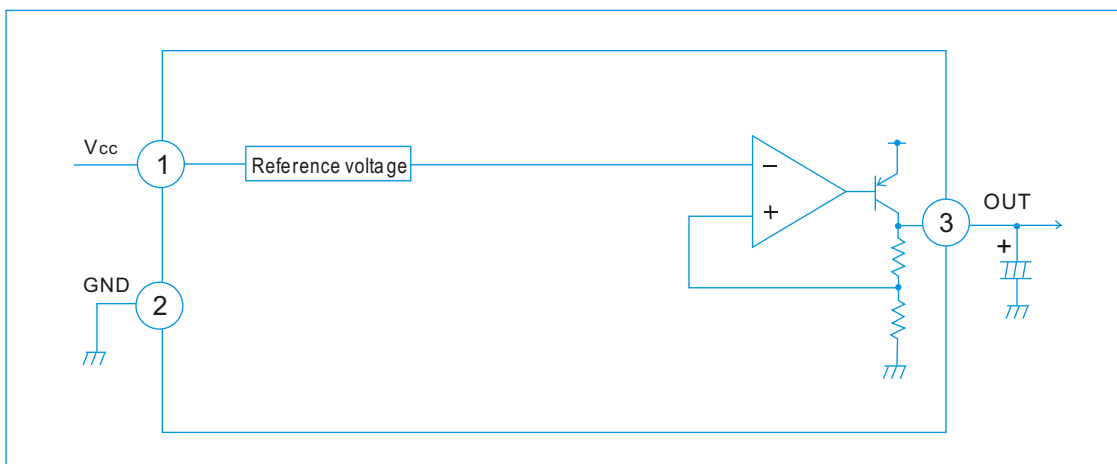




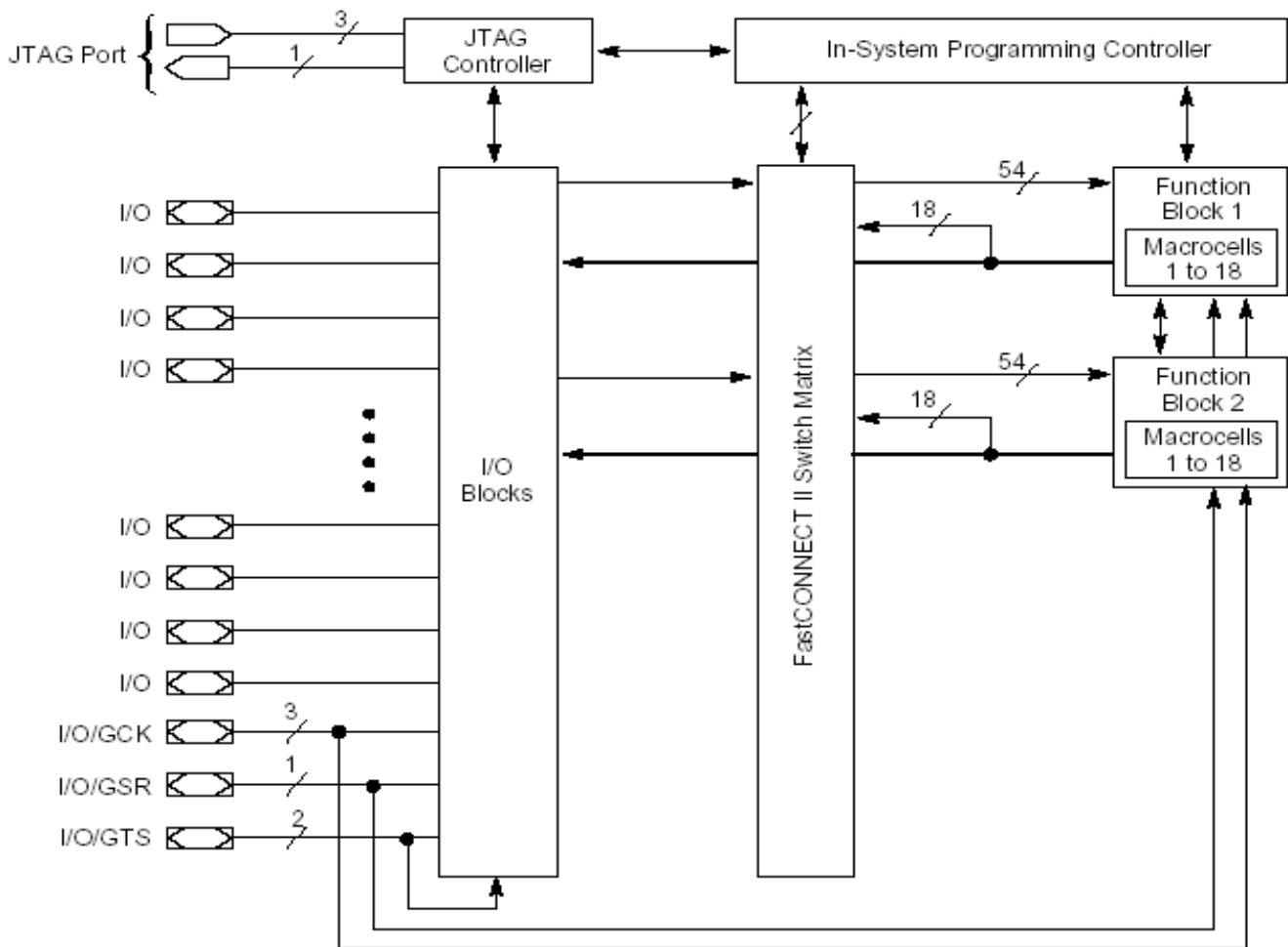
417-P22-741
BU9728AKV-E2



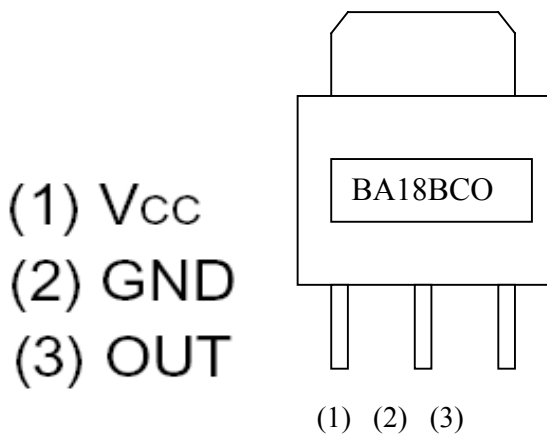
417-CDN24-341
BA07T



417-MCDS4-738 IC(XC9536XL-10VQ44C,SMD)

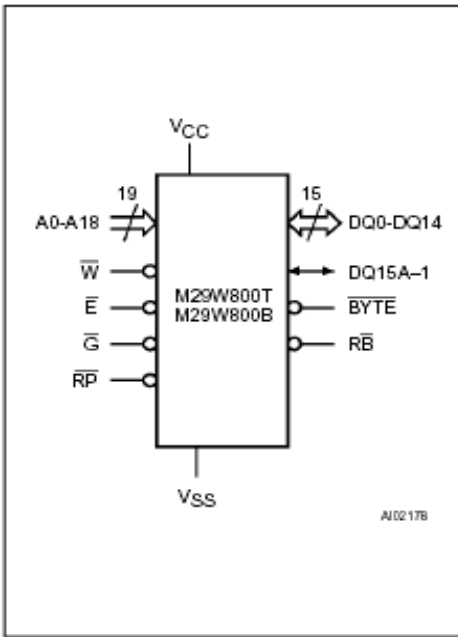


417-MCDS4-737 IC(BA18BCOFP-E2,SMD)

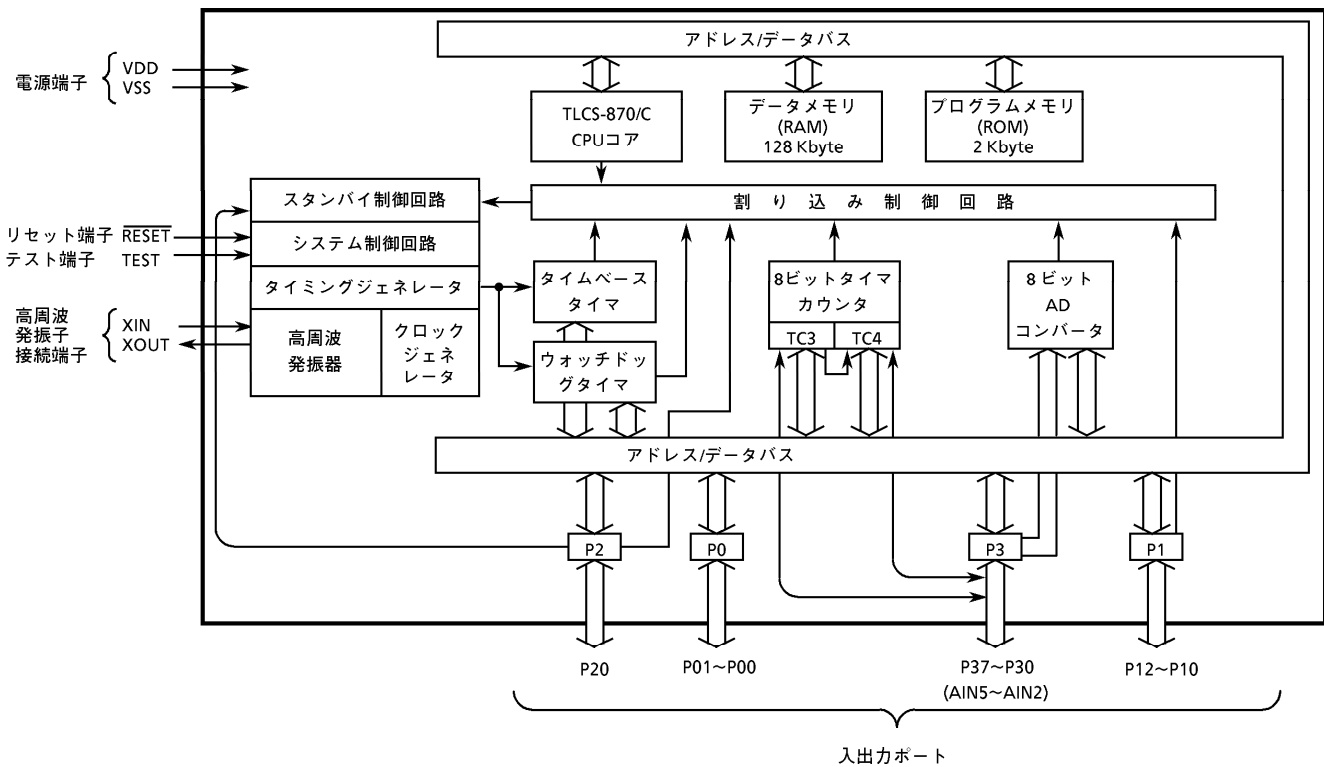


IC Block Diagram

417-MCDS4-735 IC(M29W800B70N6.SMD)

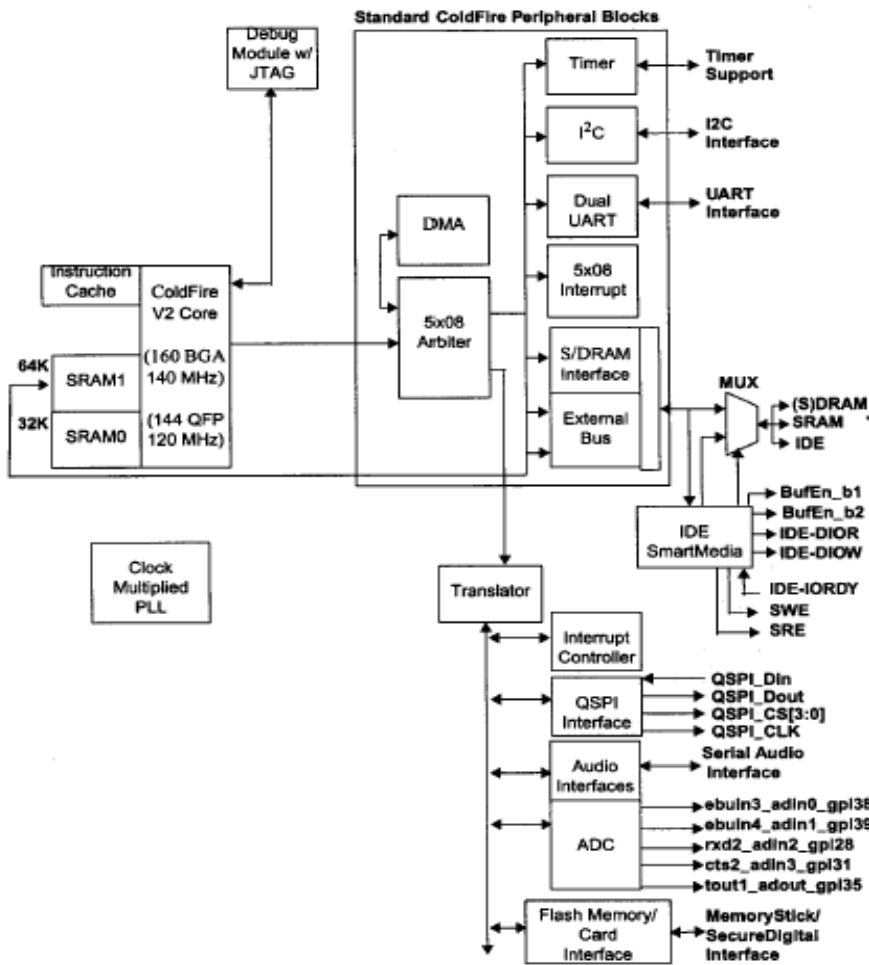


417-P22-733 TMP86P202M

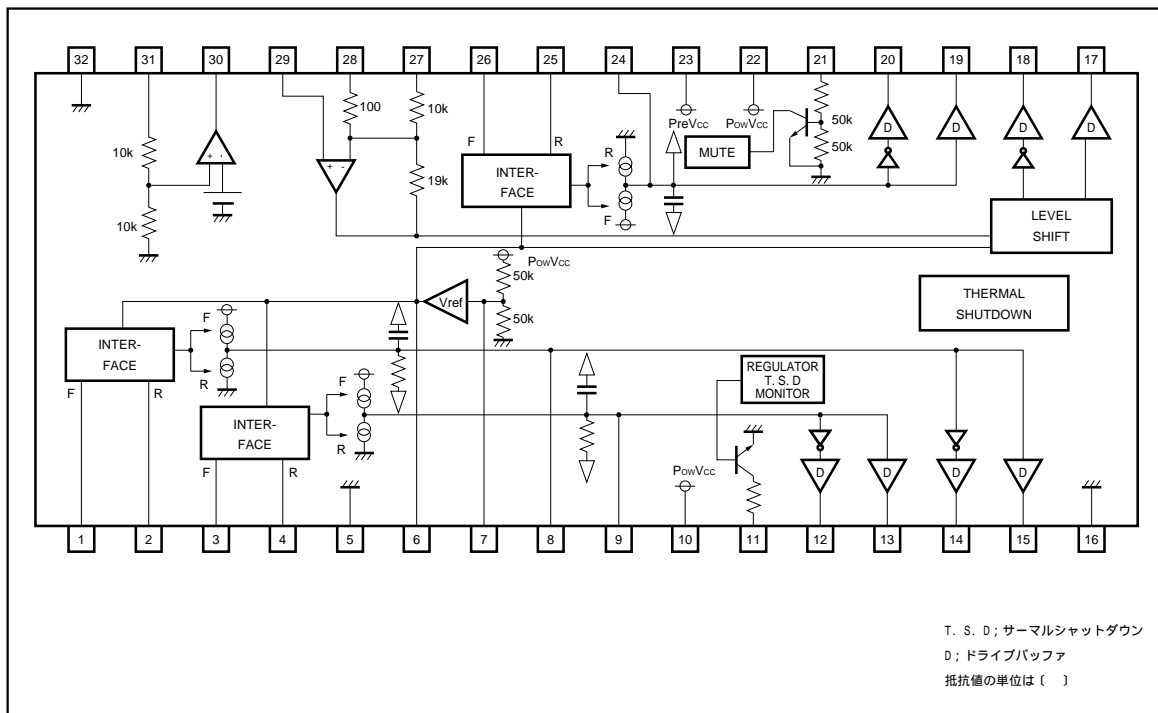


IC Block Diagram

417-MCDS4-736 IC(SCF5249LPV120.SMD)



417-DCM280-596 VA5979S



T. S. D.; サーマルシャットダウン
 D; ドライブバッファ
 抵抗値の単位は ()

Trouble Shooting

SYMPTOM	POSSIBLE CAUSE	CORRECTION ACTION
Device dose not react when switching on	Connection to main disrupted	Check AC plug and AC connection
Player does not start operation	CD is badly positioned or dirty	Reposition CD with label atop or clean with a dry and soft cloth
No sound	Check the mixer and amplifier connections inappropriate	Possibly exchange connections
Does not read properly	The device is exposed to vibrations	Place the device on a more stable stand, rack etc.
Does not read the program	The player is in normal playback mode	Press the Play-Pause button and re-program
Pop noise	Mixer and amplifier connections inappropriate	Check cable and jack quantity