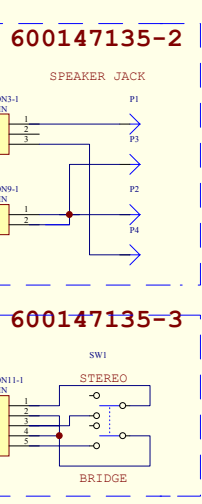
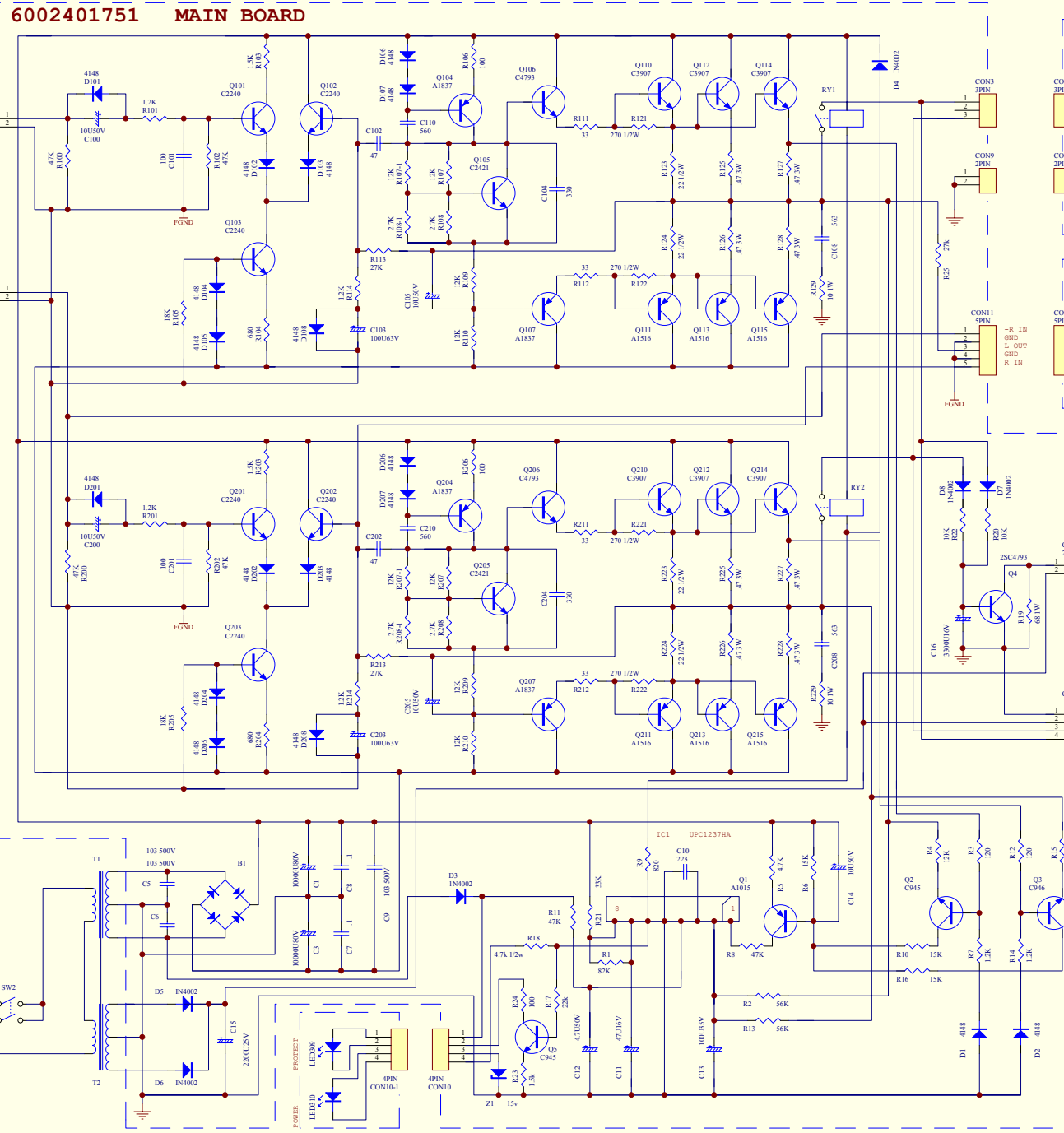
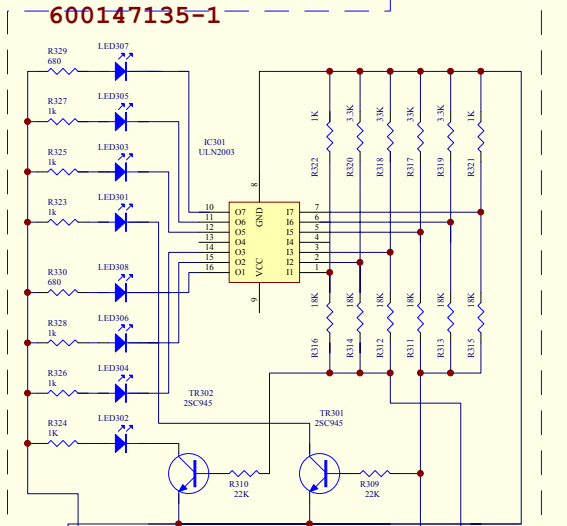
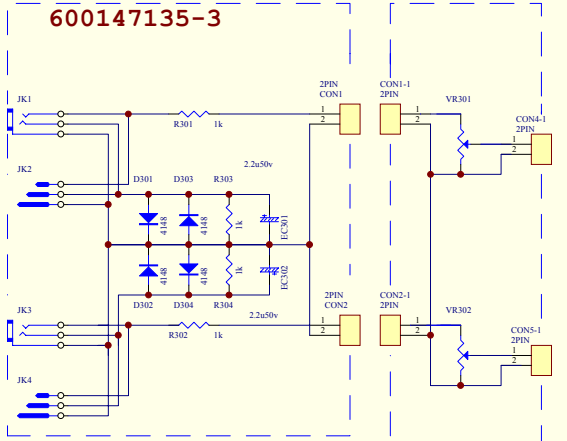


6001871350

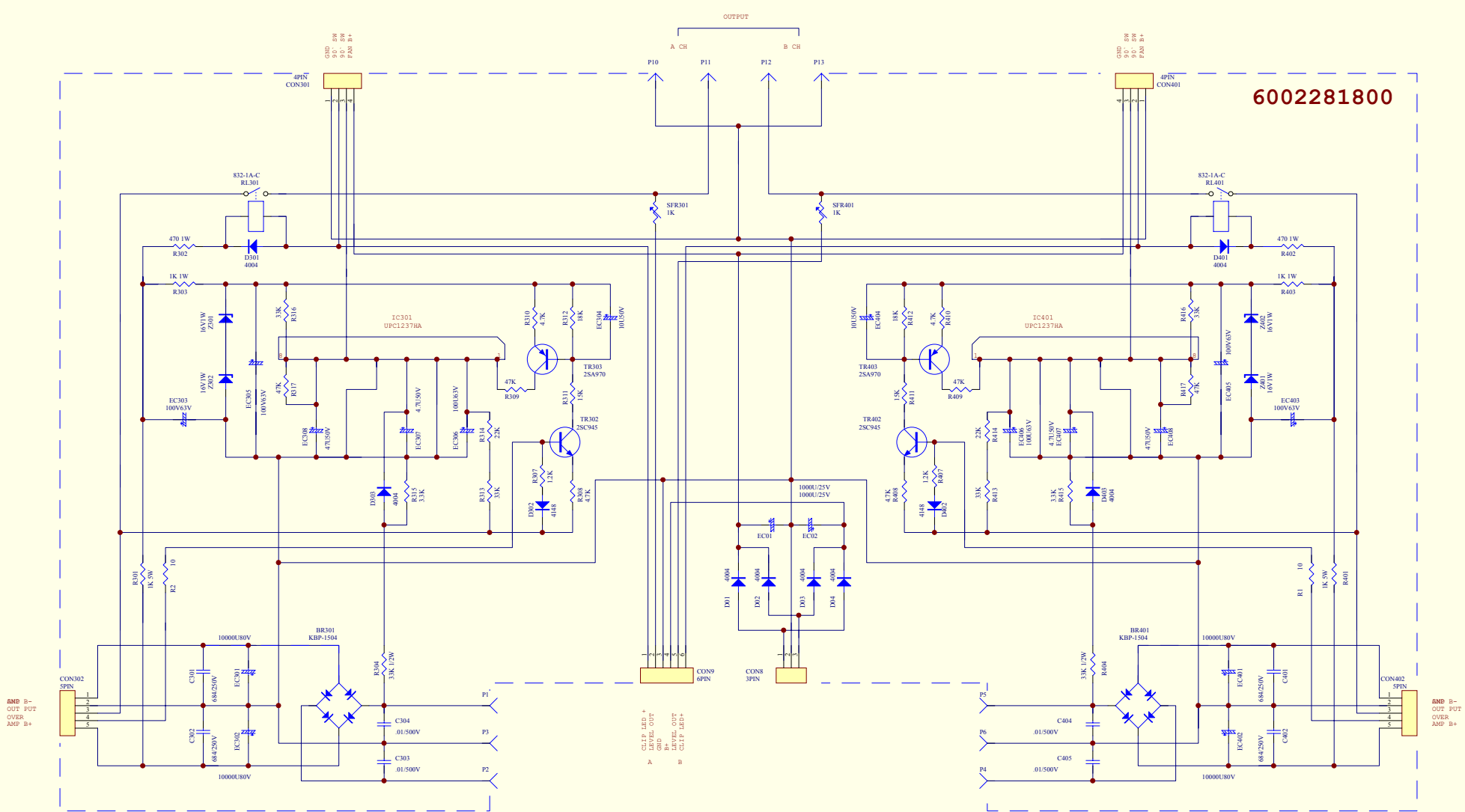
V3000 ONLY
6001700750

Title	PRE AMP BOARD & DISPALY BOARD	DISPALY BOARD
Size	Number	Revision
A2	V2000 PLUS	K.C.HWA
Date	2-APR-2002	Sheet of
File	C:\CLIENT\V2000D SCH	Drawn By



AC 230/50HZ

Title		PROFESSIONAL STEREO AMPLIFIER	
Size	Number	V1000	Revision
A2			
Date	2-Apr-2002		
File	C:\CLIENT\TV1000.SCH	Sheet of	HWA
		Drawn By	



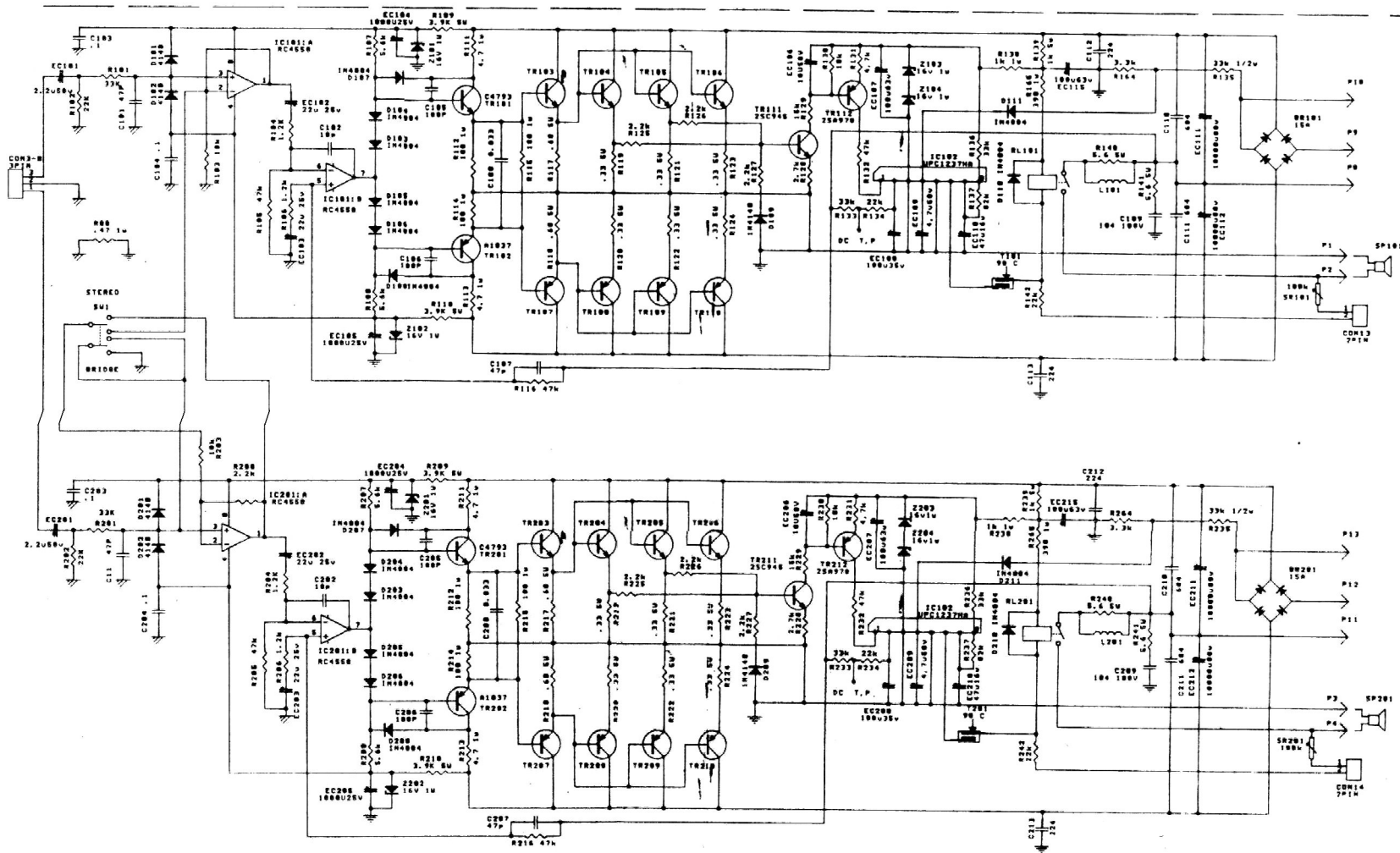
6002281800

GND B-
 90° SW
 P2M B+

GND B-
 90° SW
 P2M B+

CLIP LED +
 LEVEL OUT
 GND
 CLIP LED-

Title			
POWER SUPPLY BOARD			
PROFESSIONAL STEREO AMPLIFIER			
Size	Number	Revision	
A2	V2000 PLUS		
Date	3-Apr-2002	Sheet of	
File	C:\CLIENT\V2000\POW SCH	Drawn By	



UNIKA ELECTRONIC CO., LTD.

TITLE			V2000 2000W2 MAIN POWER SCHEMATIC		
SIZE	A2	NUMBER	1	REVISION	
DATE			JUN 1999		
DRAWN			S200021		
CHECKED			S200021		