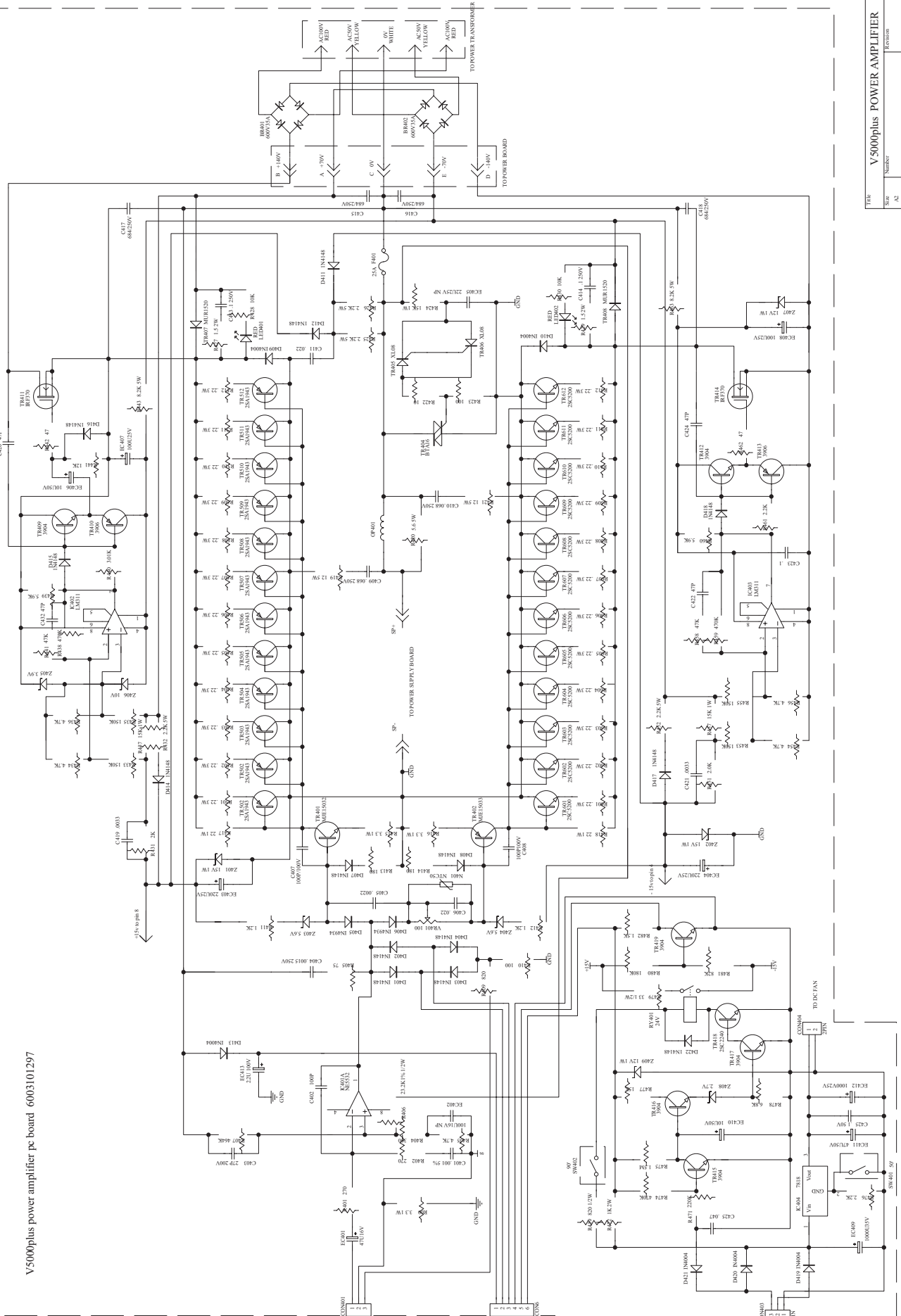


V5000plus power amplifier pc board 6003101297



V-5000plus POWER AMPLIFIER		
Rev	Number	Revision
1.0	A2	
Date	02/14/2001	Sheet of
File	02041001.V5000P.A2	Drawn By
		Waters