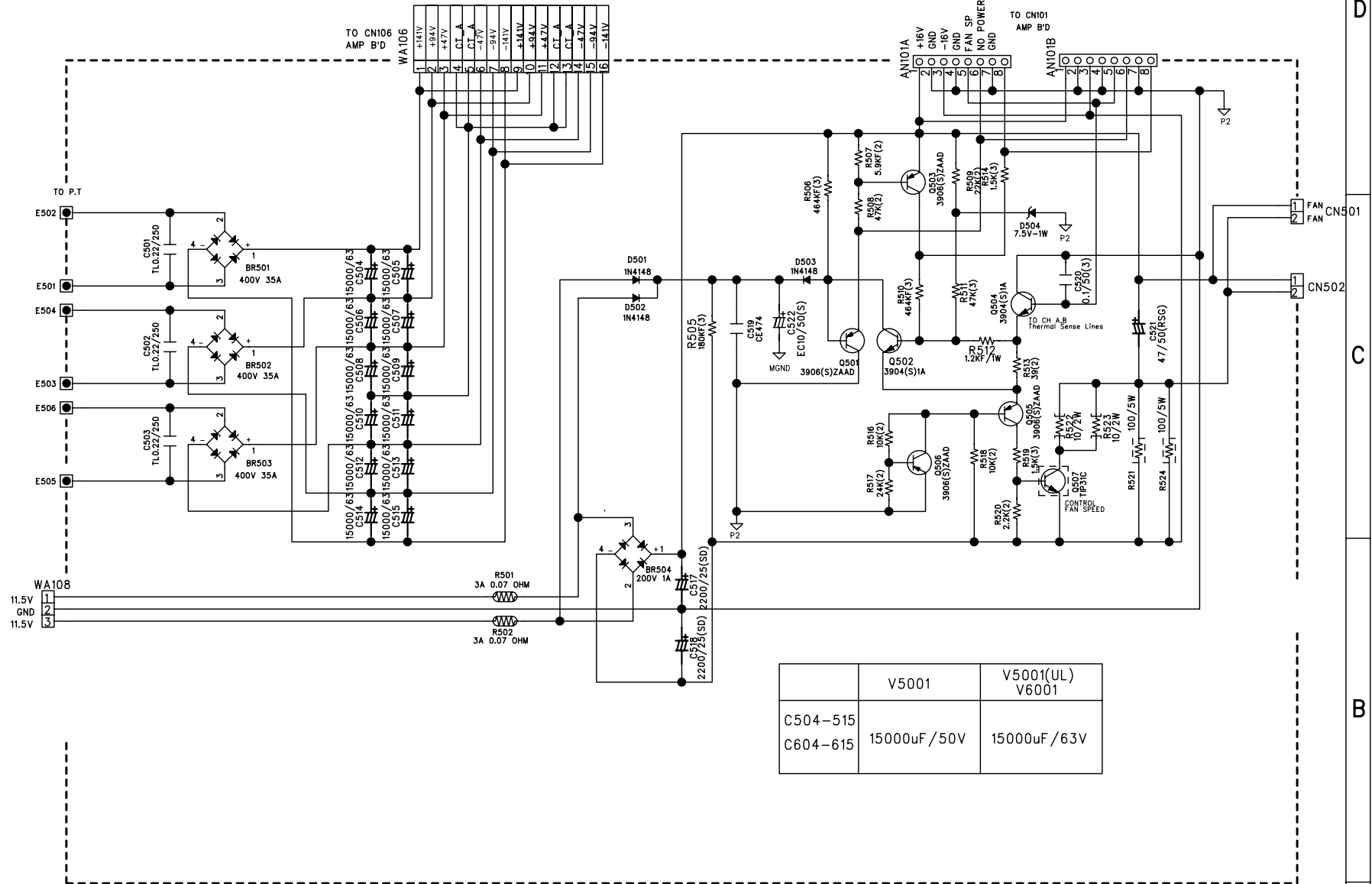
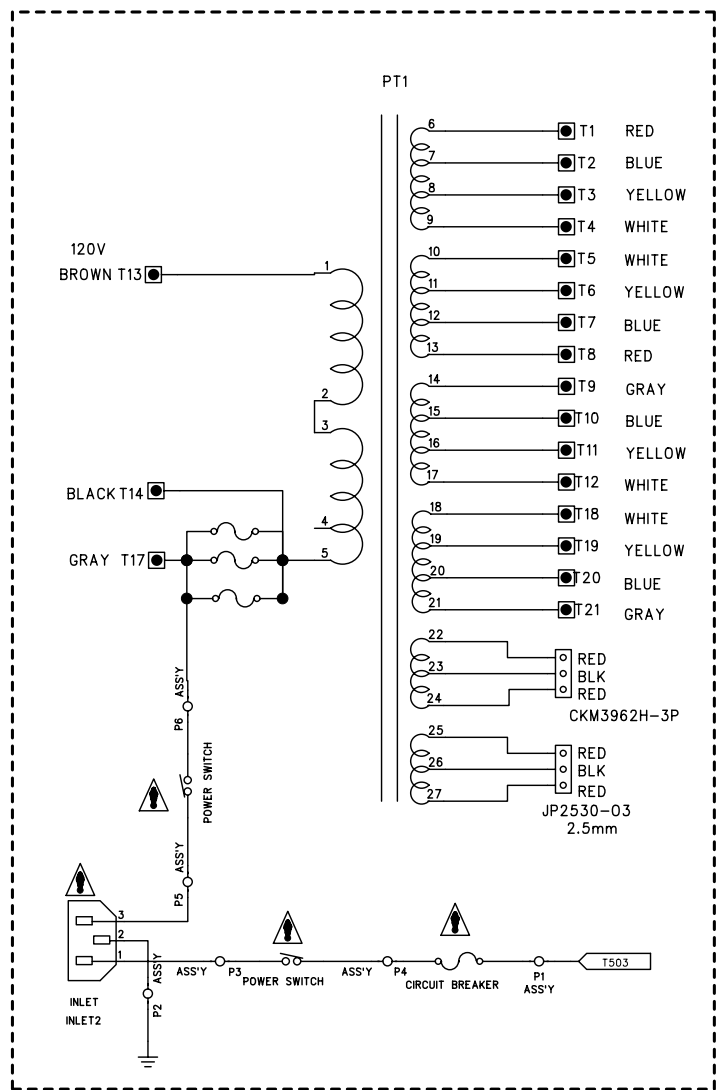


NOTE: (2): 2012 TYPE (S): SMD TYPE  
 (3): 3216 TYPE N/A: NOT USED

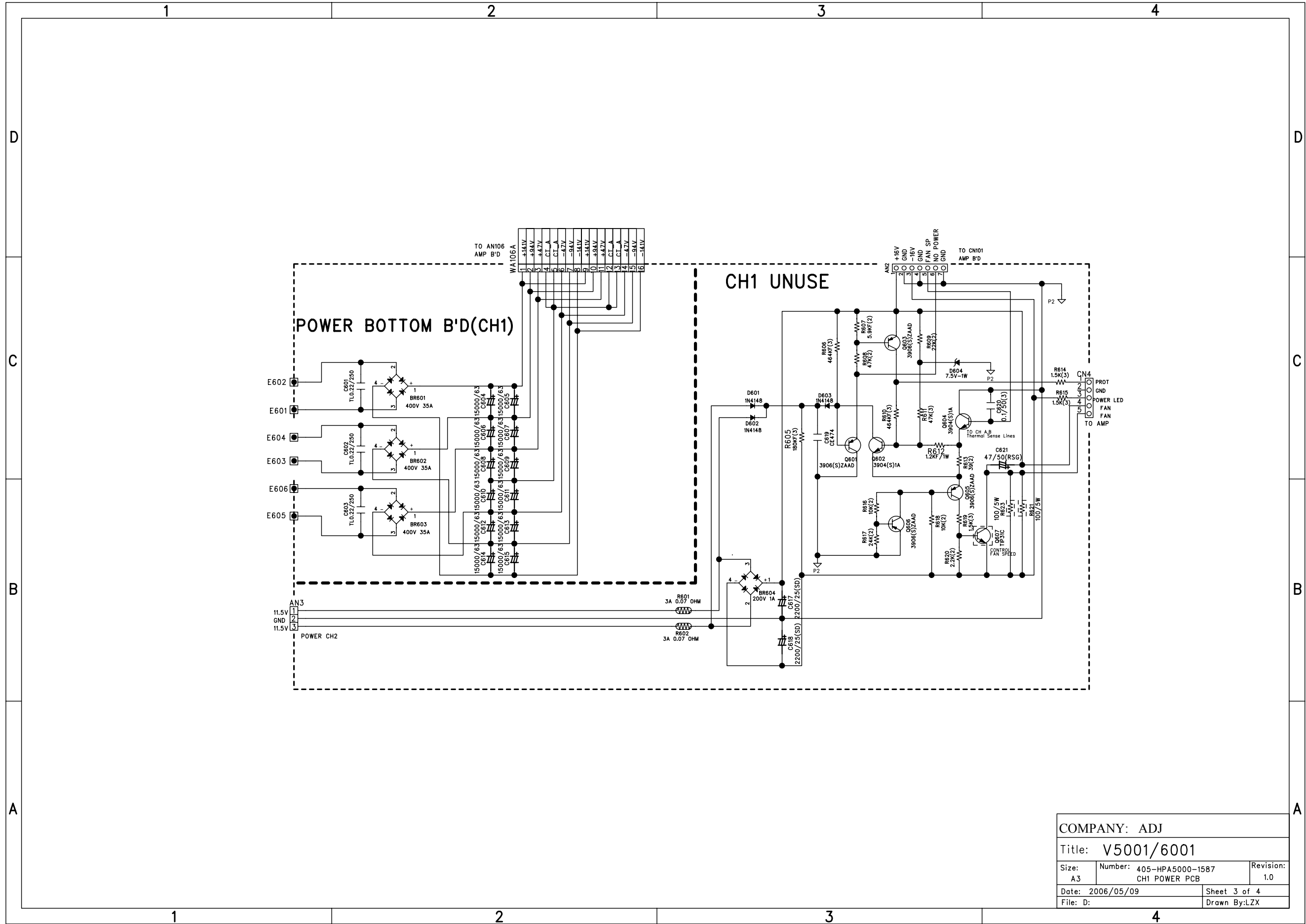
COMPANY: ADJ		
Title: V5001/6001		
Size: A3	Number: 405-HPA5000-1586 AMP PCB	Revision: 1.0
Date: 2006/05/09	Sheet 1 of 4	
File: D:	Drawn By: LZK	



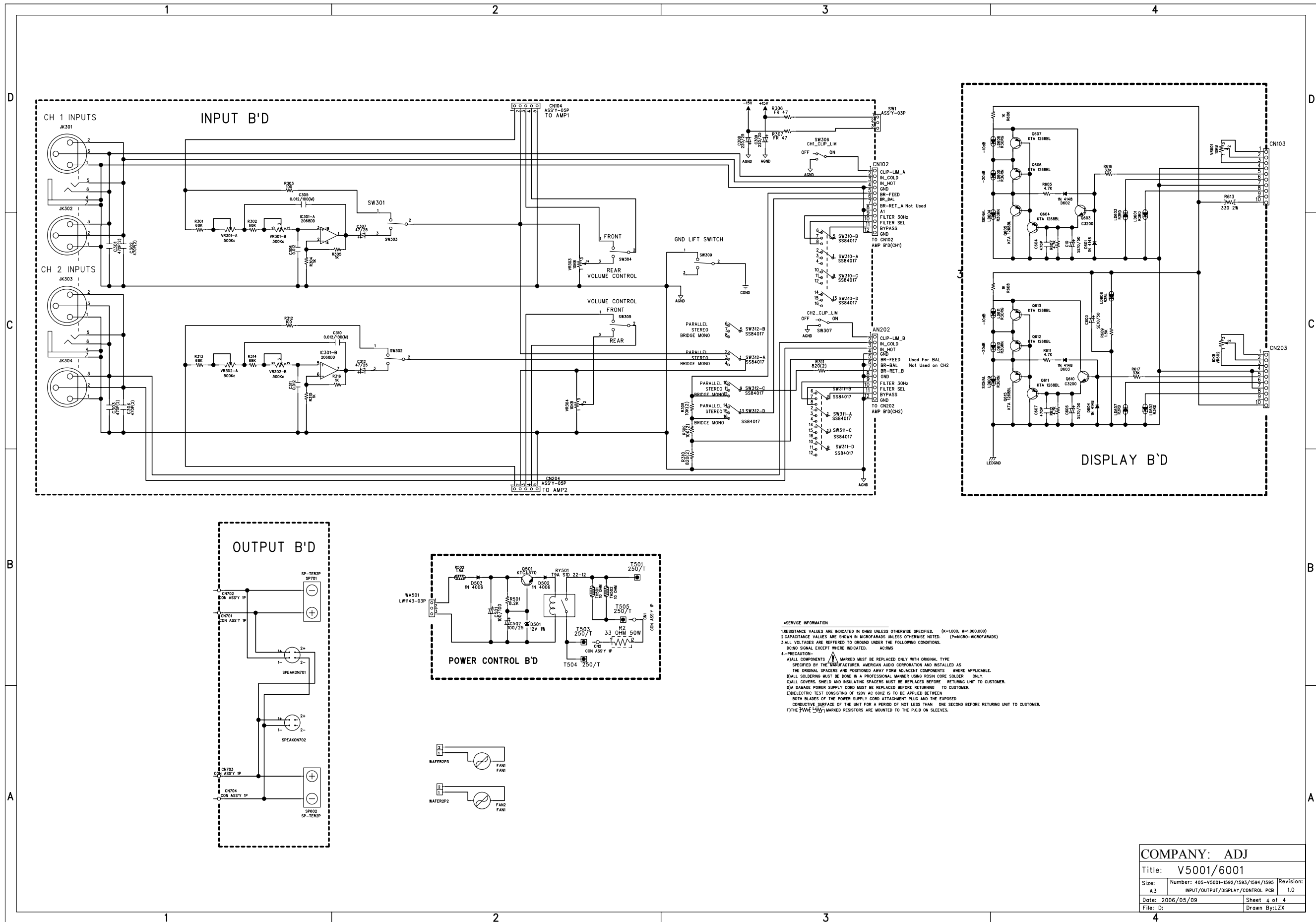
	V5001	V5001(UL) V6001
C504-515	15000uF/50V	15000uF/63V
C604-615		

NOTE: (2): 2012 TYPE  
(3): 3216 TYPE  
(S): SMD TYPE

COMPANY: ADJ		
Title: V5001/6001		
Size: A3	Number: 405-HPA5000-1596 CH2 POWER PCB	Revision: 1.0
Date: 2006/05/09	Sheet 2 of 4	
File: D:	Drawn By:LZX	



COMPANY: ADJ		
Title: V5001/6001		
Size: A3	Number: 405-HPA5000-1587 CH1 POWER PCB	Revision: 1.0
Date: 2006/05/09	Sheet 3 of 4	
File: D:	Drawn By:LZX	



COMPANY: ADJ	
Title: V5001/6001	
Size: A3	Number: 405-V5001-1592/1593/1594/1595
Date: 2006/05/09	Revision: 1.0
File: D:	Sheet 4 of 4
	Drawn By: LZK