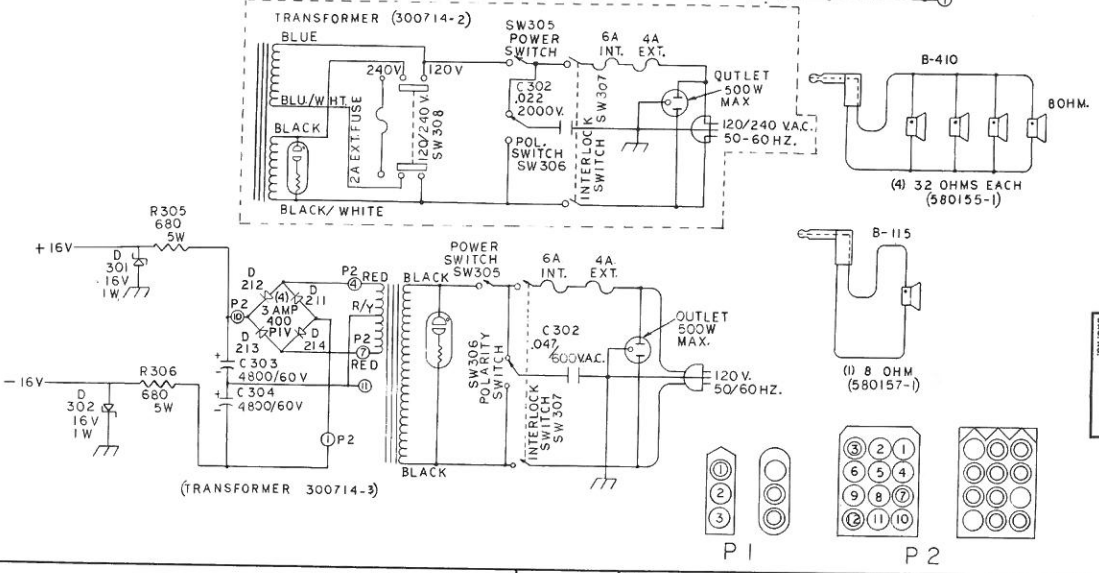


**NOTES:**  
 -ALL RESISTORS IN OHMS 1/2 W 10% UNLESS OTHERWISE SPECIFIED.  
 -ALL CAPACITORS IN MFD, AND 250 VOLT UNLESS OTHERWISE SPECIFIED.  
 -SEMICONDUCTORS ARE SELECTED. FACTORY REPLACEMENTS RECOMMENDED. UNSELECTED SEMICONDUCTORS MAY EXHIBIT IMPROPER OPERATION OR SHORT LIFE.  
 -CIRCUIT OF CHASSIS MAY VARY SLIGHTLY FROM THAT SHOWN HERE DUE TO NORMAL PRODUCTION CHANGES.  
 -NUMBERS IN PARENTHESIS REFER TO MAGNAVOX PART NUMBERS.  
 -D.C. VOLTAGE READINGS WITH NO SIGNAL APPLIED USING A 20,000 OHM PER VOLT VOLTMETER AND ARE POSITIVE WITH RESPECT TO CHASSIS GROUND UNLESS OTHERWISE SPECIFIED.  
 -ADJUST R212 BIAS POT. TO READ .011 VOLTS D.C. WITH NO LOAD CONNECTED AND NO SIGNAL APPLIED ACROSS PINS 6 AND 9 OF OUTPUT CONNECTOR.  
 -INPUT SENSITIVITY WITH CONTROLS SET FOR FLAT FREQUENCY RESPONSE, IS 11.5 MILLIVOLTS RMS IN, FOR 28, 26 VOLTS NOMINAL OUT WITH VOLUME AT MAXIMUM. ACCEPTABLE OUTPUT LIMITS ARE 25.4 VOLTS TO 31.1 VOLTS.  
 -POWER OUTPUT SHOULD BE AT LEAST 120 WATTS RMS CONTINUOUS AT LESS THAN 0.2% T. H. D.

SEMICONDUCTOR CROSS REFERENCE:

|                        |         |          |           |
|------------------------|---------|----------|-----------|
| IC 1                   | RC4739P | 610265-1 | RAYTHEON  |
| Q201, Q202, Q203       | 2N4249  | 610270-1 | FAIRCHILD |
| Q204                   | MJE350  | 610264-2 | MOTOROLA  |
| Q205                   | MJE340  | 610264-1 | MOTOROLA  |
| Q206                   | 2N5568  | 610263-3 | FAIRCHILD |
| Q207                   | 2N3638  | 610263-4 | FAIRCHILD |
| Q301                   | 2N3403  | 610263-0 | GE        |
| Q302                   | 2N5682  | 610262-2 | MOTOROLA  |
| Q303                   | 2N5680  | 610262-1 | MOTOROLA  |
| Q304, Q305, Q306, Q307 | 2N4348  | 610259-2 | RCA       |



RELEASED 5-21-78  
 MAGNAVOX  
 100% COMPLETE

| ADDITIONAL MAGNAVOX SPECIFICATIONS   | MATERIAL  | FINISH                                     |
|--|---|--|
|  |   |  |
| TOLERANCES UNLESS OTHERWISE SPECIFIED<br>DECIMALS ± TOL. FRACTIONS ± TOL.<br>X .010 .020 UP TO 6 1/64<br>XX .005 5 TO 24 1/32<br>XXX .010 ABOVE 24 1/16                |   |  |
| THE AMPEX COMPANY<br>DIVISION OF THE MAGNAVOX COMPANY<br>P.O. BOX 515 LINDEN, N.J. 07036   |   |  |
| MODELS<br>B115 & B410  |   |  |
| TITANIUM CLASS 2<br>FIT LATTER PLATING<br>MACHINE FINISHES<br>OR MINOR INCH MAX.<br>DIMENSIONS IN INCHES UNLESS OTHERWISE SPECIFIED ON DRAWING<br>DO NOT SCALE DRAWING | SIGNATURE<br>DR. J. DISANO 2/7/73<br>DATE<br>2/7/73<br>FIRST USED IN<br>MODEL<br>DATE | SIZE<br>D<br>DWG. NO.<br>591737-1<br>SCALE |

591737-1