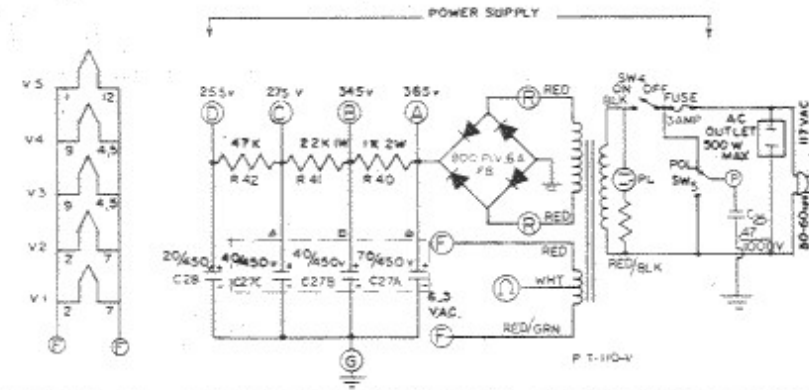
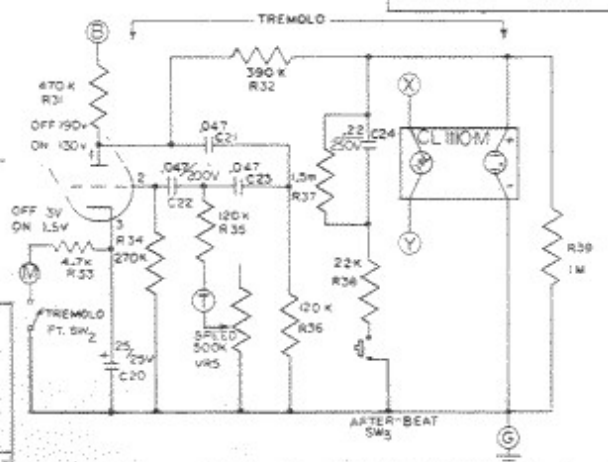



NOTE: D.C. VOLTAGE READINGS WITH NO SIGNAL INSERTED
 VOLTAGE READING WITH 20000 Ω/VOLT METER
 THIS CIRCUIT PROTECTED BY ONE OR MORE
 U.S. PATENTS PENDING -
 ALL CAPACITORS IN MFD. & 400V. UNLESS OTHERWISE
 STATED.
 ALL RESISTORS 1/2 W. Ω. UNLESS OTHERWISE STATED.



POST OFFICE BOX 513
 454-0000 (191) 415-4700

 LINDEN, NEW JERSEY 07036
 MODEL GS-12-R
 ROCKET II
 U.S. PATENT 3588257
 TUBE LOCATION
 759I 759I 12AX7 12AX7 6U10
 DRG. NO. 03700 OWN. CW480147 5-4-R