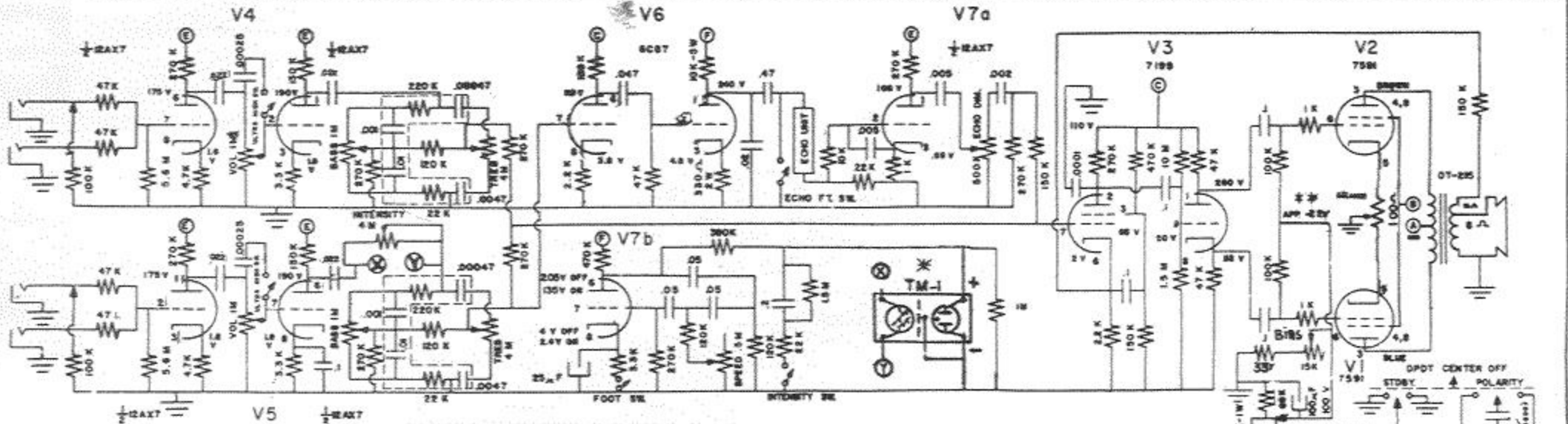


CHANNEL TWO

CHANNEL ONE



NOTE: D.C. VOLTAGE READINGS WITH NO SIGNAL INSERTED.

* Module TM-1 factory replacement only. PATENT PENDING

NOTE: Voltage reading with 20,000- Ω /100V meter.

** Factory adjusted to give 80ma of plate current for both V1 & V2.

POST OFFICE BOX 513

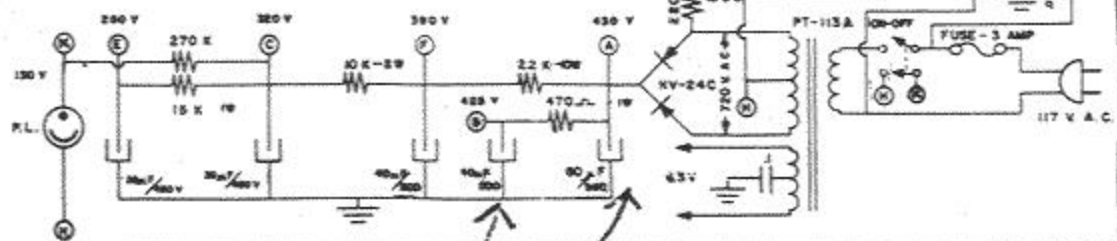


MODEL NO. G-15 GEMINI II

Tube Location

759I 759I 7199 12AX7 12AX7 6CG7 12AX7

4010030



the B to a