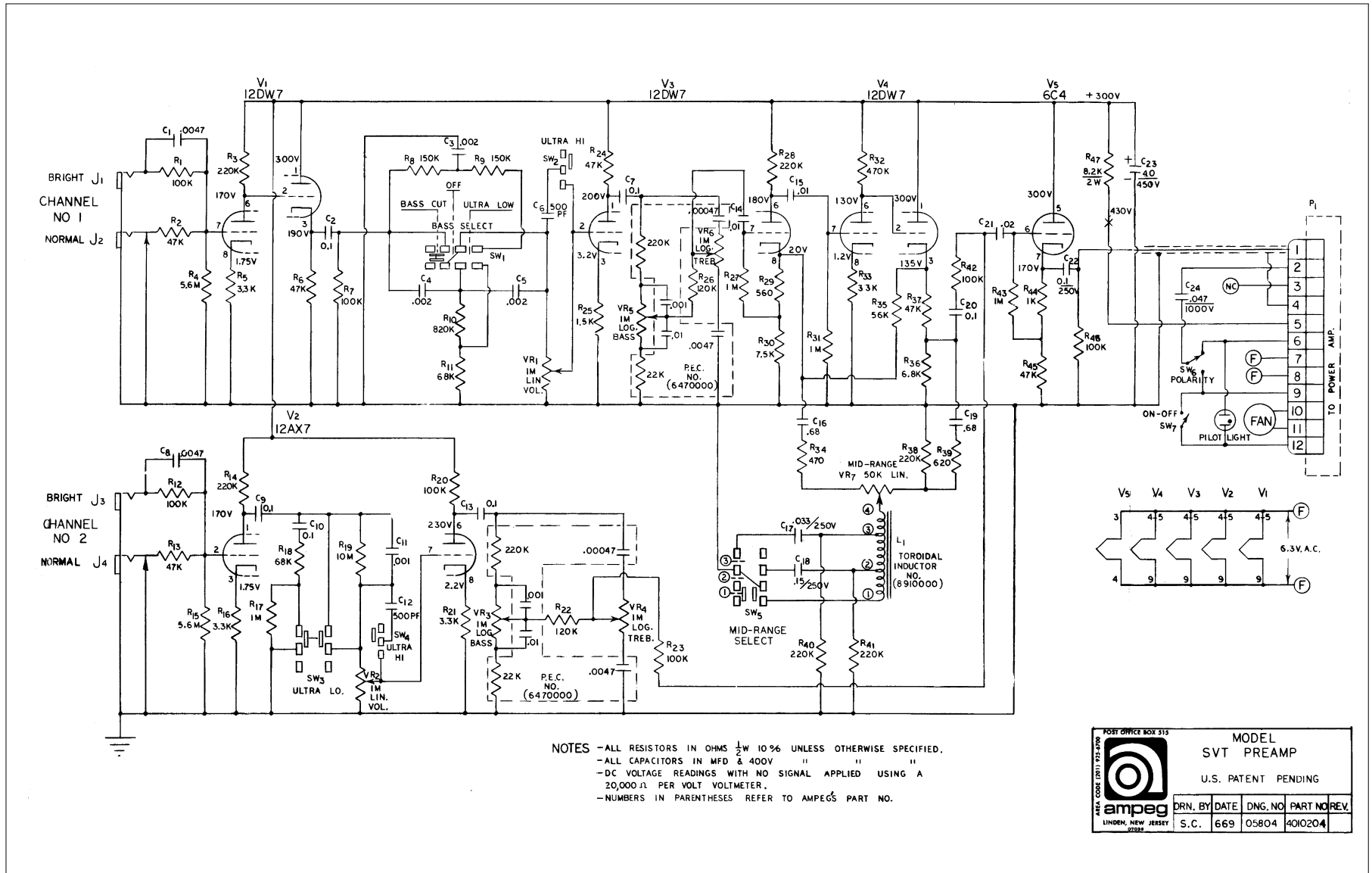


SVT PREAMP

Ampeg



NOTES - ALL RESISTORS IN OHMS $\frac{1}{2}$ W 10% UNLESS OTHERWISE SPECIFIED.
 - ALL CAPACITORS IN MFD & 400V " " " "
 - DC VOLTAGE READINGS WITH NO SIGNAL APPLIED USING A 20,000 Ω PER VOLT VOLTMETER.
 - NUMBERS IN PARENTHESES REFER TO AMPEG'S PART NO.

POST OFFICE BOX 915
 LINCOLN, NEW JERSEY 07036

MODEL SVT PREAMP
 U.S. PATENT PENDING

DRN.	BY	DATE	DNG. NO.	PART NO.	REV.
S.C.	669	05804	4010204		