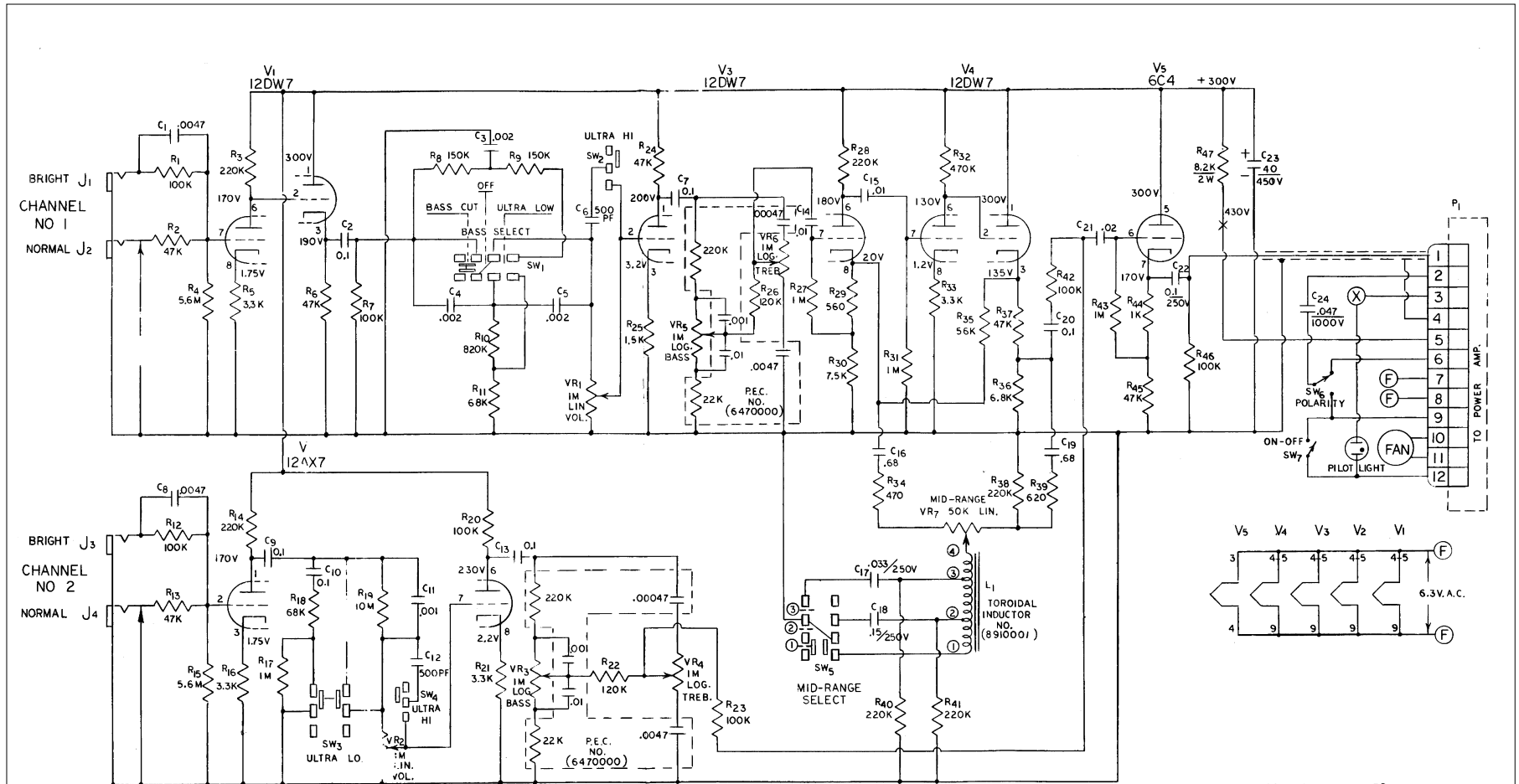


SVT PREAMP (REV B)

Ampeg



NOTES - ALL RESISTORS IN OHMS $\frac{1}{2}$ W 10% UNLESS OTHERWISE SPECIFIED.
 - ALL CAPACITORS IN MFD & 400V " " " "
 - DC VOLTAGE READINGS WITH NO SIGNAL APPLIED USING A 20,000 Ω PER VOLT VOLTMETER.
 - NUMBERS IN PARENTHESES REFER TO AMPEG'S PART NO.

MAGNAVOX No 591719 -1

POST OFFICE BOX 515
 AREA CODE (201) 932-6200
 ampeg
 LINDEN, NEW JERSEY 07036

MODEL
 SVT PREAMP
 U.S. PATENT PENDING

DRN. BY	DATE	DWG. NO.	PART NO.	REV.
S.C.	669	05804	4010204	B