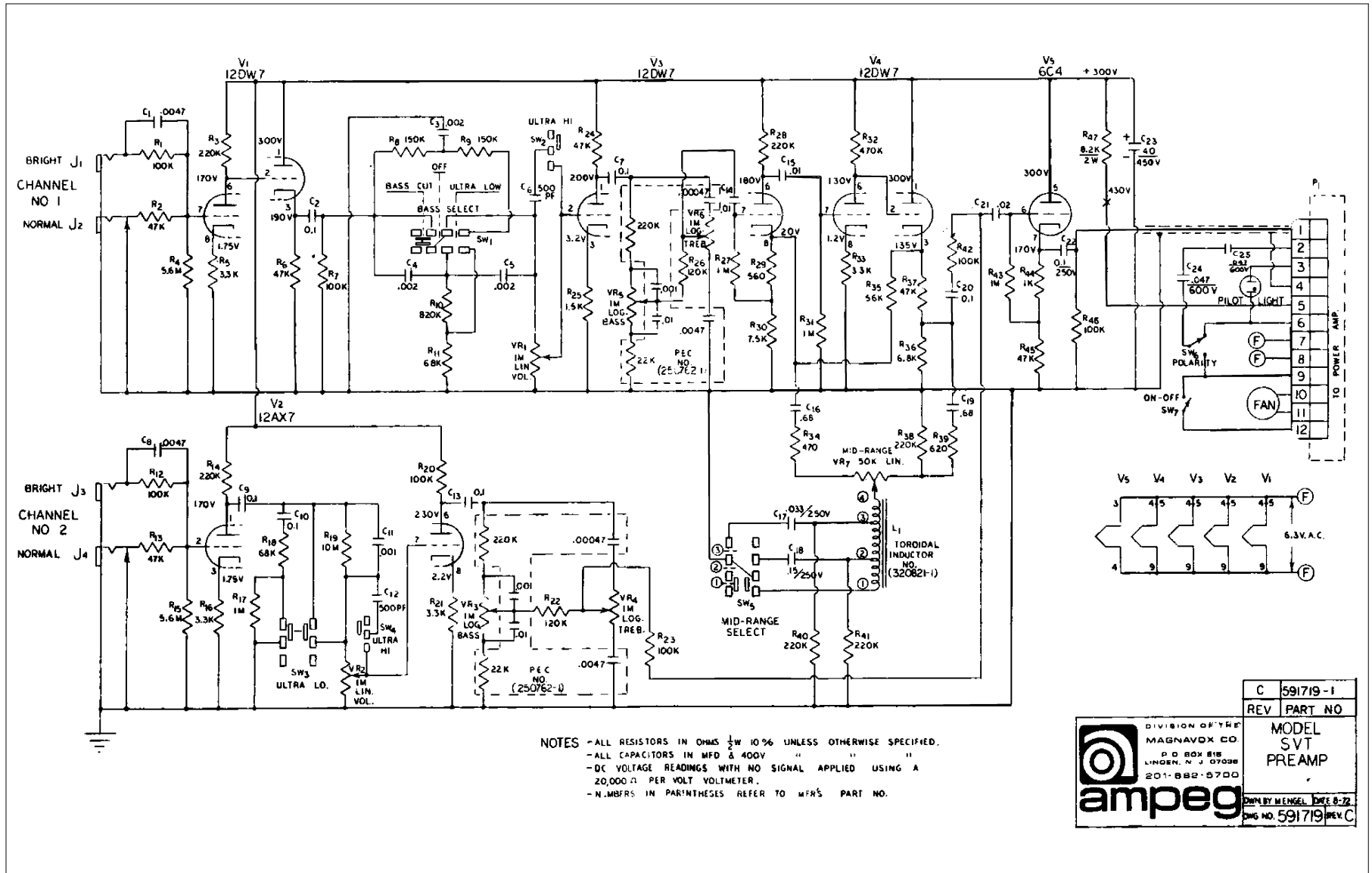


SVT PREAMP (REV C)

Ampeg



NOTES - ALL RESISTORS IN OHMS $\frac{1}{2}$ W 10% UNLESS OTHERWISE SPECIFIED.
 - ALL CAPACITORS IN MFD & 400V " " " " " "
 - DC VOLTAGE READINGS WITH NO SIGNAL APPLIED USING A 20,000 Ω PER VOLT VOLTMETER.
 - NUMBERS IN PARENTHESES REFER TO MFG'S PART NO.



C	591719-1
REV	PART NO
MODEL SVT PREAMP	
DESIGNED BY MENDEL DATE 8-72	
DWG NO. 591719 REV C	