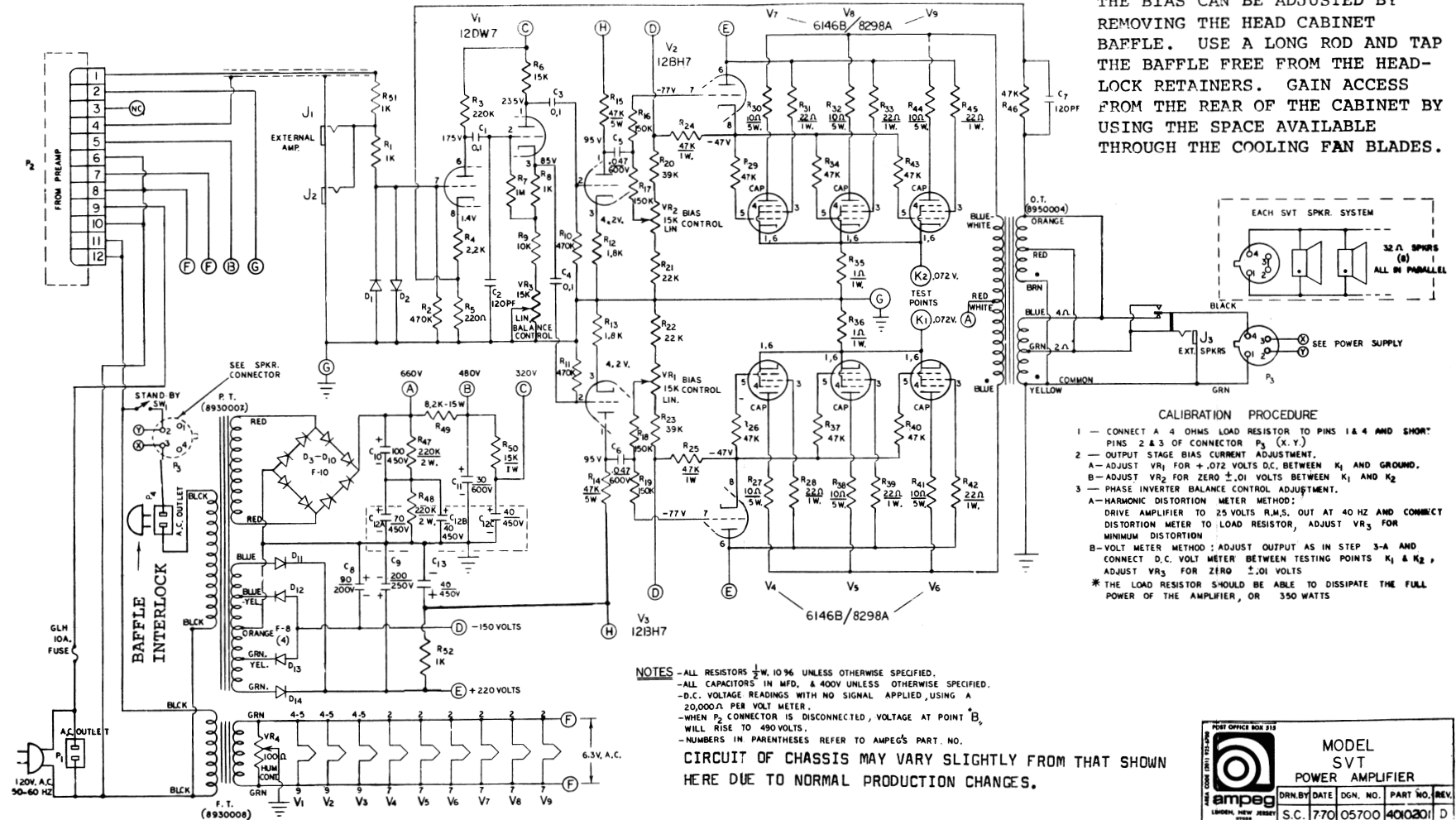


# SVT POWER AMP (REV D)

# Ampeg

THE BIAS CAN BE ADJUSTED BY REMOVING THE HEAD CABINET BAFFLE. USE A LONG ROD AND TAP THE BAFFLE FREE FROM THE HEAD-LOCK RETAINERS. GAIN ACCESS FROM THE REAR OF THE CABINET BY USING THE SPACE AVAILABLE THROUGH THE COOLING FAN BLADES.



### CALIBRATION PROCEDURE

- 1 - CONNECT A 4 OHMS LOAD RESISTOR TO PINS 1 & 4 AND SHORT PINS 2 & 3 OF CONNECTOR P<sub>3</sub> (X, Y).
  - 2 - OUTPUT STAGE BIAS CURRENT ADJUSTMENT.
    - A - ADJUST VR<sub>1</sub> FOR +0.72 VOLTS D.C. BETWEEN K<sub>1</sub> AND GROUND.
    - B - ADJUST VR<sub>2</sub> FOR ZERO ±0.01 VOLTS BETWEEN K<sub>1</sub> AND K<sub>2</sub>.
  - 3 - PHASE INVERTER BALANCE CONTROL ADJUSTMENT.
    - A - HARMONIC DISTORTION METER METHOD: DRIVE AMPLIFIER TO 25 VOLTS R.M.S. OUT AT 40 HZ AND CONNECT DISTORTION METER TO LOAD RESISTOR, ADJUST VR<sub>3</sub> FOR MINIMUM DISTORTION.
    - B - VOLT METER METHOD: ADJUST OUTPUT AS IN STEP 3-A AND CONNECT D.C. VOLT METER BETWEEN TESTING POINTS K<sub>1</sub> & K<sub>2</sub>, ADJUST VR<sub>3</sub> FOR ZERO ±0.01 VOLTS.
- \* THE LOAD RESISTOR SHOULD BE ABLE TO DISSIPATE THE FULL POWER OF THE AMPLIFIER, OR 350 WATTS

**NOTES** - ALL RESISTORS 1/2 W, 10% UNLESS OTHERWISE SPECIFIED.  
 - ALL CAPACITORS IN MFD. & 400V UNLESS OTHERWISE SPECIFIED.  
 - D.C. VOLTAGE READINGS WITH NO SIGNAL APPLIED, USING A 20,000Ω PER VOLT METER.  
 - WHEN P<sub>3</sub> CONNECTOR IS DISCONNECTED, VOLTAGE AT POINT B<sub>3</sub> WILL RISE TO 490 VOLTS.  
 - NUMBERS IN PARENTHESES REFER TO AMPEG'S PART NO.

CIRCUIT OF CHASSIS MAY VARY SLIGHTLY FROM THAT SHOWN HERE DUE TO NORMAL PRODUCTION CHANGES.

	MODEL SVT POWER AMPLIFIER		
	DRN. BY	DATE	DGN. NO.
S.C. 770 05700		4010201 D	