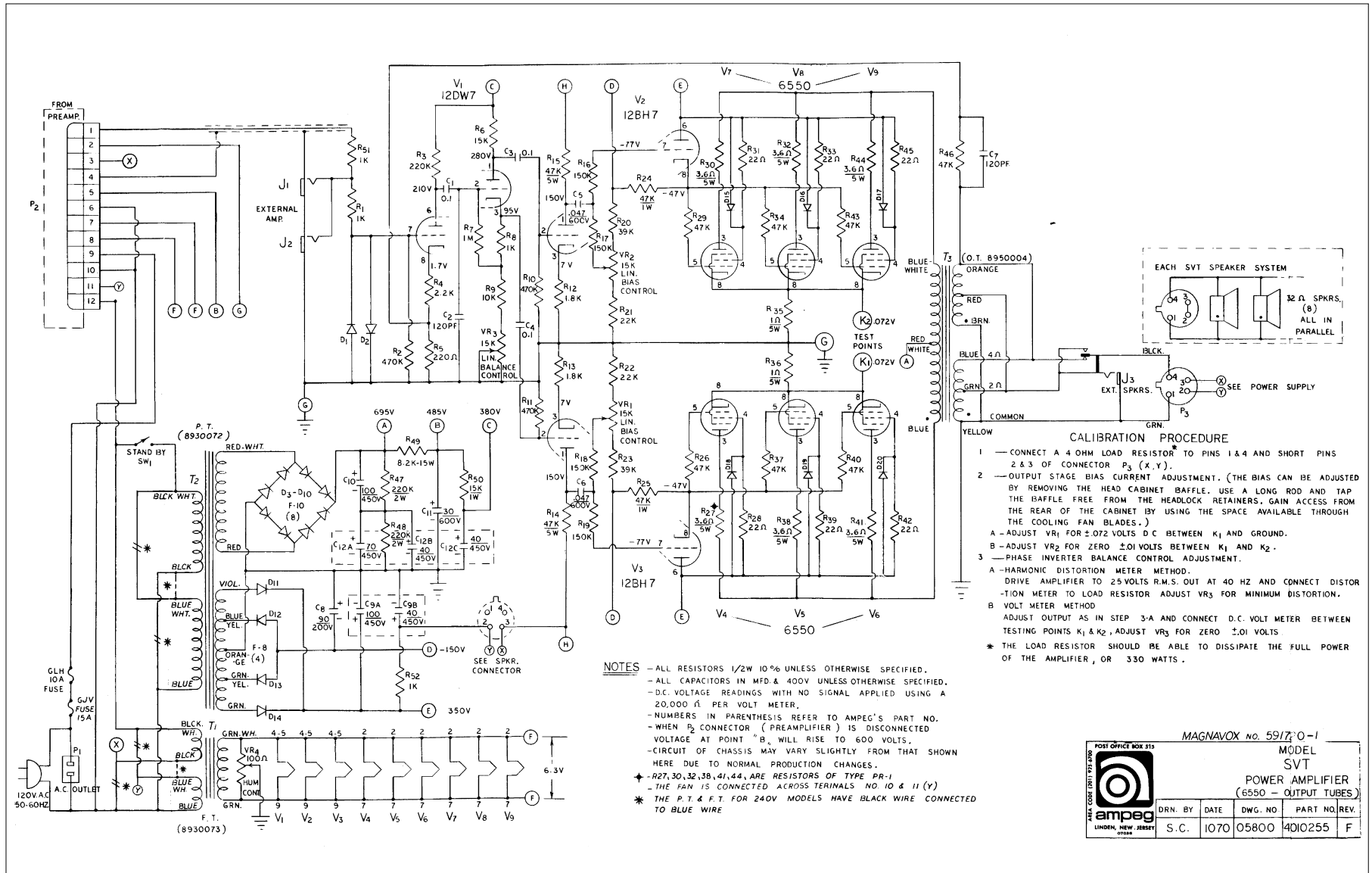


# SVT POWER AMP (REV F)

# Ampeg



MAGNAVOX NO. 5917-0-1

MODEL SVT POWER AMPLIFIER (6550 - OUTPUT TUBES)

ampeg  
LONDON, NEW JERSEY

| DRN. BY | DATE | DWG. NO. | PART NO. | REV. |
|---------|------|----------|----------|------|
| S.C.    | 1070 | 05800    | 4010255  | F    |