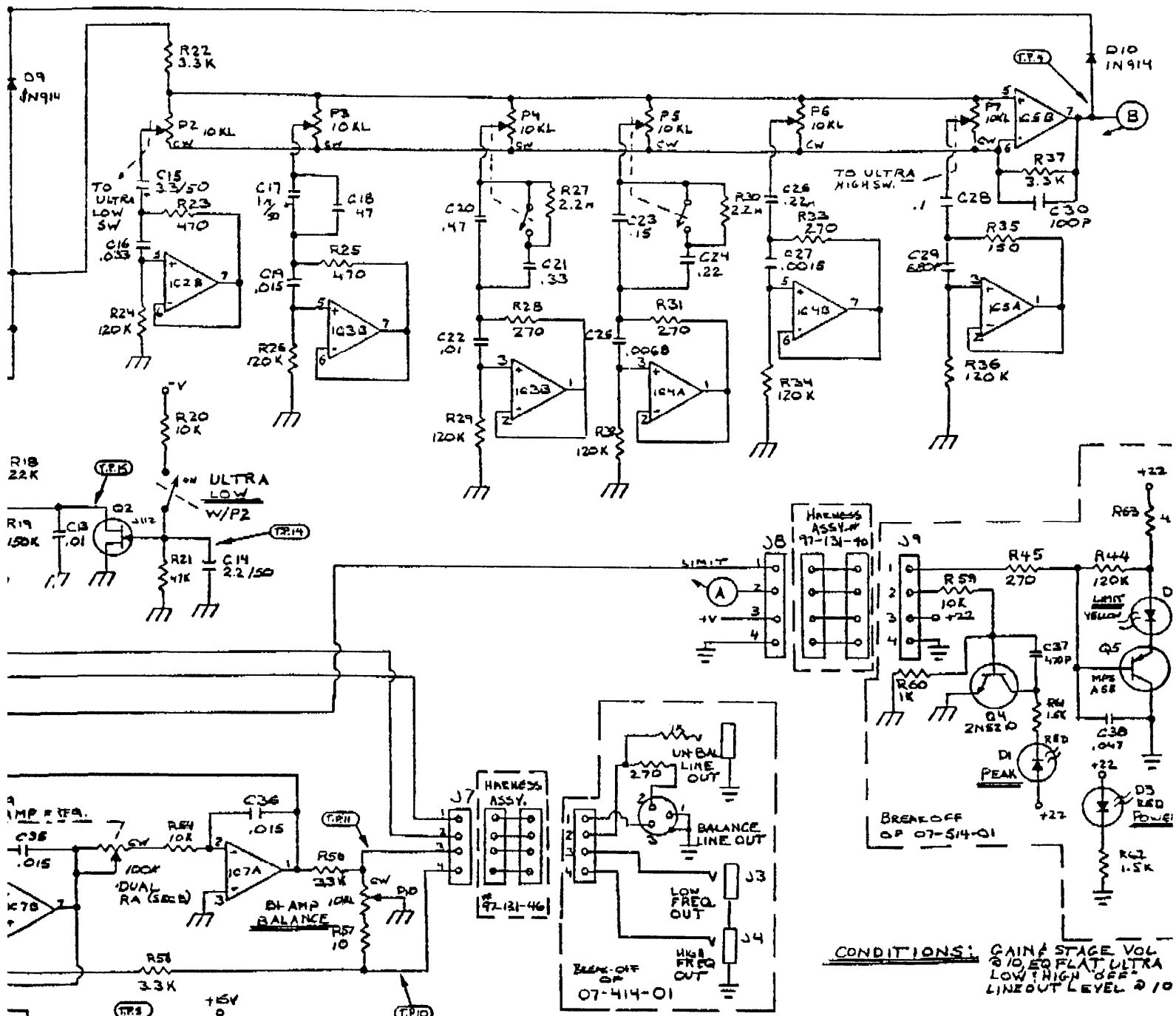


- NOTES:**
- 1) THIS SCHEMATIC PROVIDED FOR USE BY QUALIFIED PERSONNEL. TO AVOID RISK OF ELECTRIC SHOCK REFER SERVICING TO QUALIFIED SERVICE PERSONNEL DO NOT PERFORM ANY SERVICING BEYOND THAT EXPLAINED IN THE OPERATING INSTRUCTIONS.
 - 2) THIS UNIT CONTAINS HAZARDOUS VOLTAGES DISCONNECT POWER AND BE SURE POWER SUPPLY IS DISCHARGED BEFORE TOUCHING INTERNAL PARTS.
 - 3) UNLESS OTHERWISE SPECIFIED ALL RESISTORS ARE IN OHMS, μ W, $\%$, UNLESS OTHERWISE SPECIFIED. ALL CAPACITORS ARE IN MICROFARADS AND HAVE A 50 VOLT RATING.

MP PC BOARD ASSY # 07-510-01



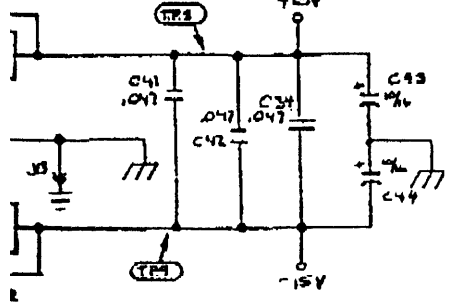
CONDITIONS: GAIN STAGE VOL 10, EQ FLAT, ULTRA LOW/HIGH OFF, LINEOUT LEVEL 2/10

TEST POINTS

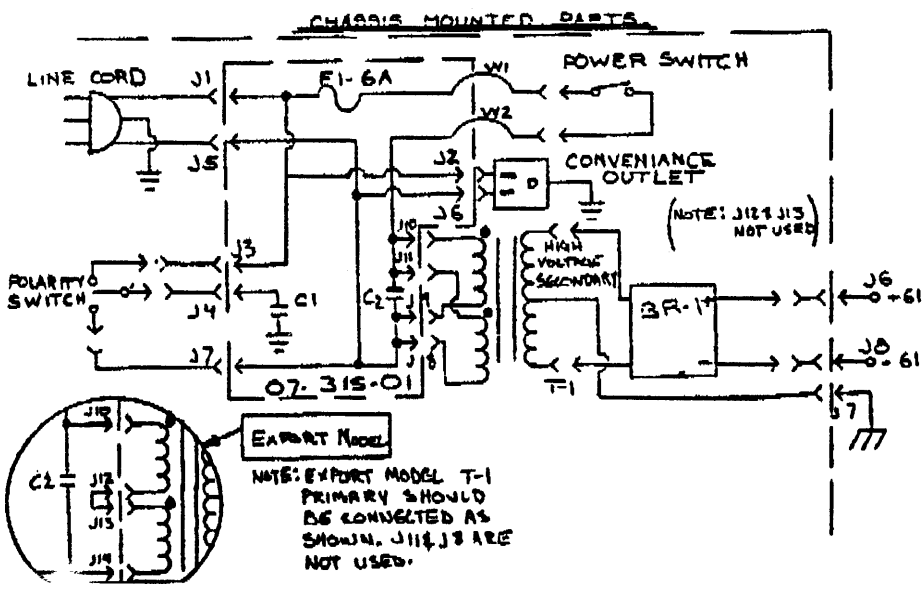
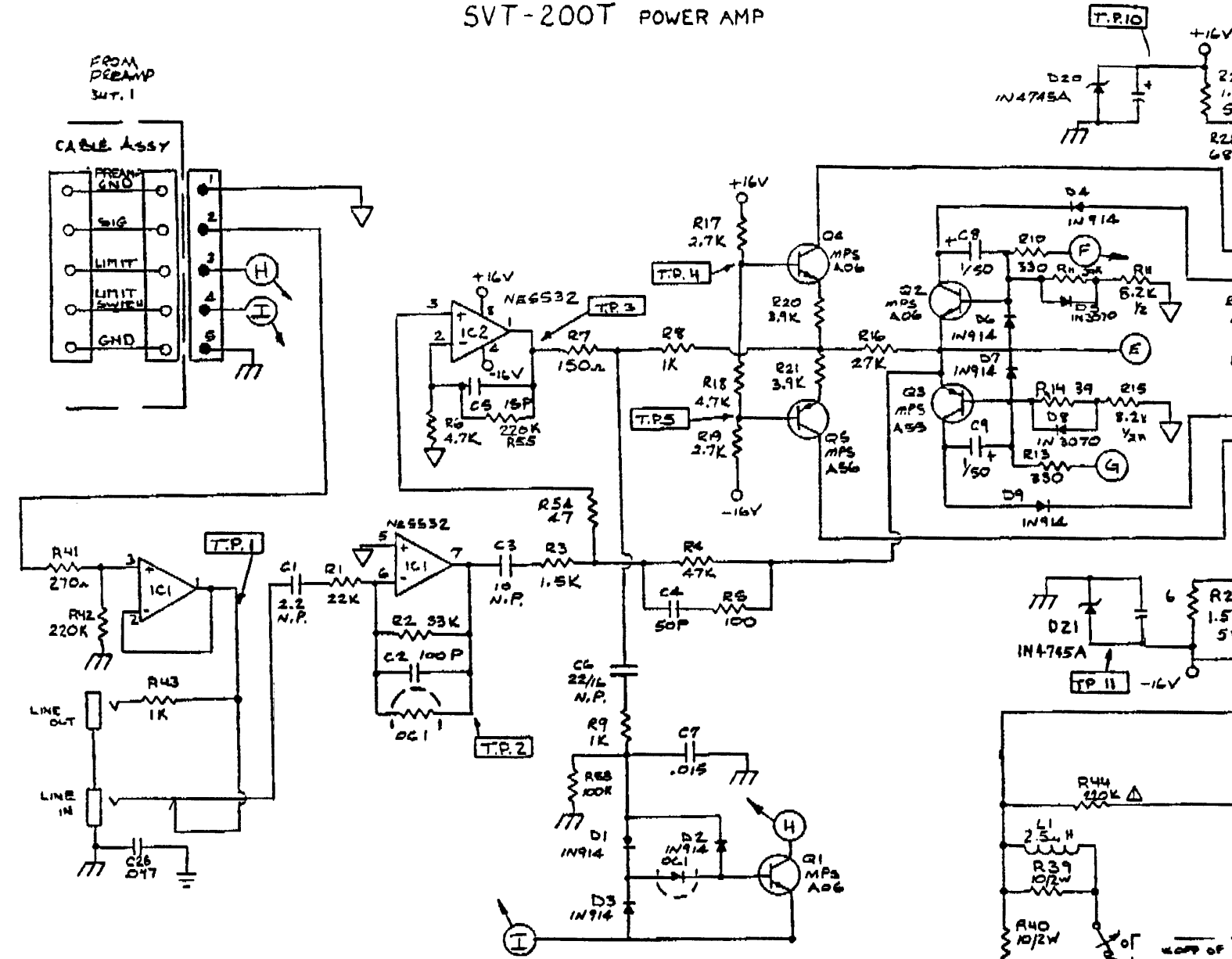
8VP-P INPUT		28VP-P INPUT	
T.P.	V.P.P	VDC	VDC
1	6V	0	6.5V
2	4.2V	0	4.2V
3	2.4V	0	0
4	2.4V	0	0
5	2.3V	0	0
6	2.3V	0	0
7	2.3V	0	0
8	0	-15	0
9	0	+15	0

P/N 16-409-01

TOLERANCES		REVISIONS		AMPEG SVT-200!	
NO.	DATE	BY	NO.	DATE	DESCRIPTION
1			1		SCHEMATIC
1			1		SLM ELECTRONICS
1			1		1180 BORMAN ST. LOUIS MO 63
1			1		16-409-01
1			1		1/6-409-01



SVT-200T POWER AMP

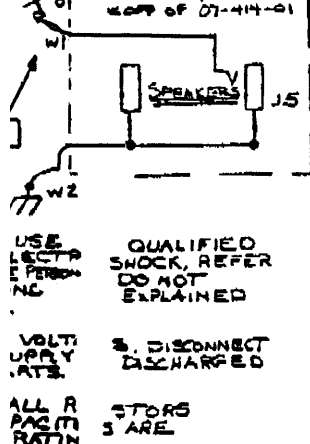
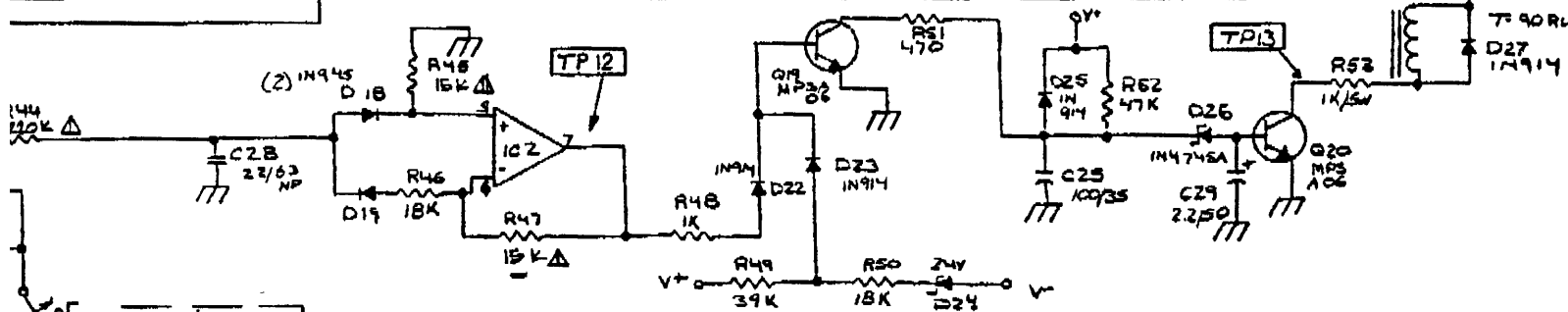
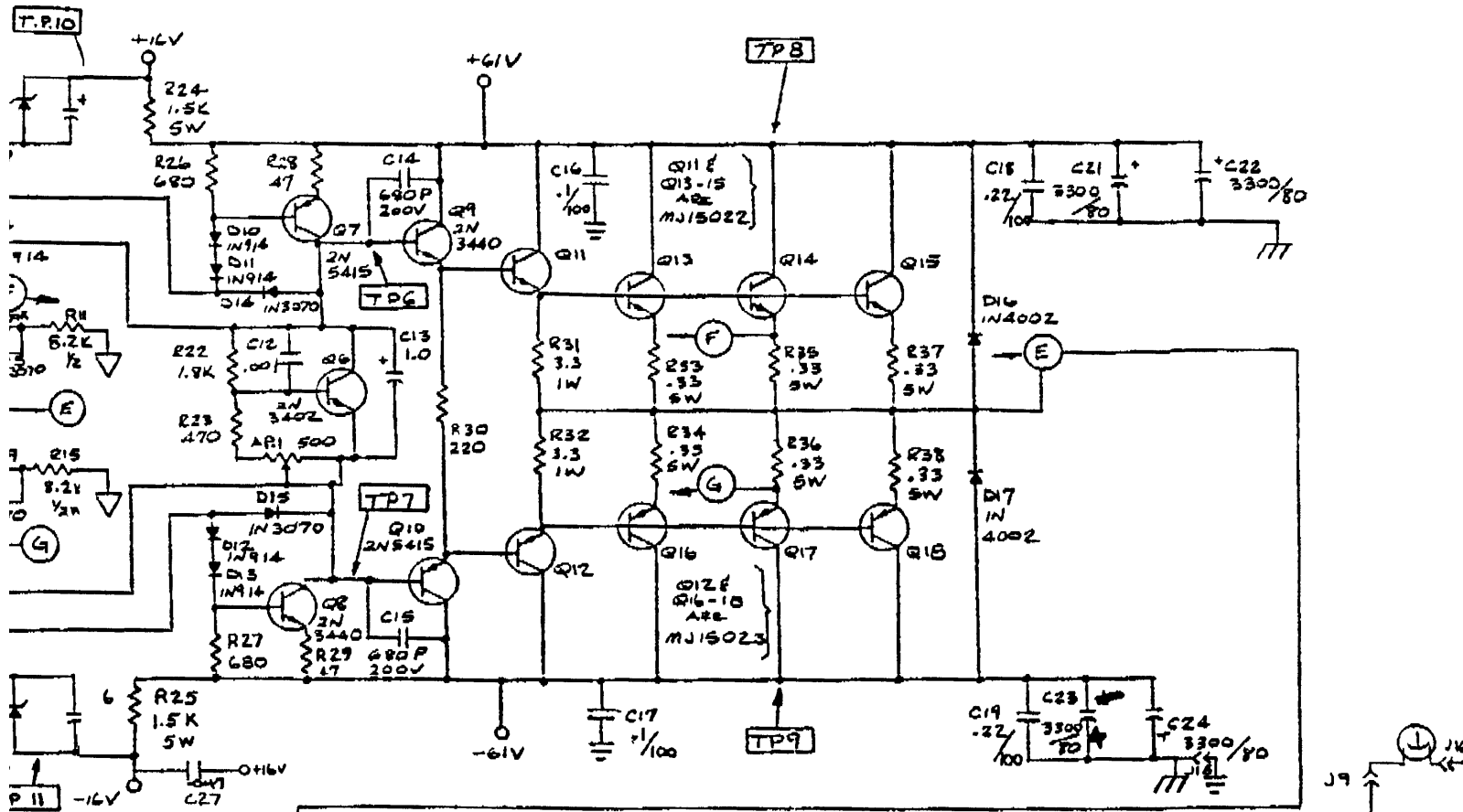


- NOTES:**
- 1) THIS SCHEMATIC PROVIDED FOR USE PERSONNEL. TO AVOID RISK OF ELECTRIC SHOCK, REFER TO QUALIFIED SERVICE PERSONNEL TO QUALIFIED SERVICE PERSONNEL. ANY SERVICING BEYOND THIS IN THE OPERATING INSTRUCTIONS.
 - 2) THIS UNIT CONTAINS HAZARDOUS VOLTAGE AND BE SURE POWER SUPPLY BEFORE TOUCHING INTERNAL PARTS.
 - 3) UNLESS OTHERWISE SPECIFIED ALL RESISTORS ARE IN OHMS, 1/4 WATT, 5%. ALL CAPACITORS ARE IN MICROFARADS AND HAVE A 50V RATING.

QUALIFIED PERSONNEL TO AVOID RISK OF ELECTRIC SHOCK, REFER TO QUALIFIED SERVICE PERSONNEL. ANY SERVICING BEYOND THIS IN THE OPERATING INSTRUCTIONS.

5. DISCONNECT POWER SUPPLY BEFORE TOUCHING INTERNAL PARTS.

STORS ARE



TEST POINTS

TP	V _{dc}	RMS	V _{pk}
1	.883v	0	0
2	1.3v	10mv ± 5mv	
3	1.7v	200mv ± 50mv	
4	0	8v ± .5v	
5	0	8v ± .5v	
6	40v	1.45v ± 20mv	
7	40v	1.45v ± 20mv	
8	2VP-P PULSE	71v ± 2v	
9	2VP-P PULSE	71v ± 2v	
10	0.1 VP-P PULSE	47v ± 2v	
11	DIV-P PULSE	17v ± 2v	
12	0	10mv ± 5mv	
13	0	1x ± 20mv	
14	0	10mv ± 5mv	

PARTIAL PARTS LIST

PART	DESCRIPTION	PART NO.	PART	DESCRIPTION	PART NO.
Q1	MPSA06	96-006-01	K1	5532	37-53
Q2	MPSA06	96-006-01	IC2	5532	37-53
Q3	MPSA06	96-006-01	OC-1	VT15C7	66-100
Q4	MPSA06	96-006-01	L1	2.5" H	94-142
Q5	MPSA06	96-006-01	K1	7-90 RELAY	82-090
Q6	MPSA06	96-006-01	J12	7" CLIFF	39-116
Q7	2N3402	96-340-01	J3	5 PIN HD	17-340
Q8	2N5415	96-541-01	J4,5	1/4" CLIFF	39-116
Q9	2N3440	96-340-01	J6-10	.250 TAB	17-836
Q10	2N3440	96-340-01	AP-1	500m TRIMPOT	71-501
Q11	2N5415	96-541-01	PCB		064414-0
Q12	MJ15022	96-122-01			
Q13	MJ15023	96-123-01			
Q14	MJ15022	96-122-01			
Q15	MJ15022	96-122-01			
Q16	MJ15023	96-123-01			
Q17	MJ15023	96-123-01			
Q18	MJ15023	96-123-01			
Q19	MPSA06	96-006-01			
Q20	MPSA06	96-006-01			
J11-13	3/4" JACK	39-112-01			
J14	2LR	39-208-01			
J15	4 PIN HD	17-310-01			
J16	GRND LUG	17-500-01			
W1	RED SPARK WIRE	97-168-02			
W2	BLK SPARK WIRE	97-168-06			
W3	3" 250/250	97-181-07			
W4	12" 250/250	97-183-46			
TS-1	THERMAL SW	88-282-01			

P/N 16-409-01

SVT-200T

REVISIONS:	SLM ELECTRONIC
Δ 9-14-87	1400 FERGUSON
	ST. LOUIS, MO.
	T.F. 23-87
	Draw No: 16-409-01