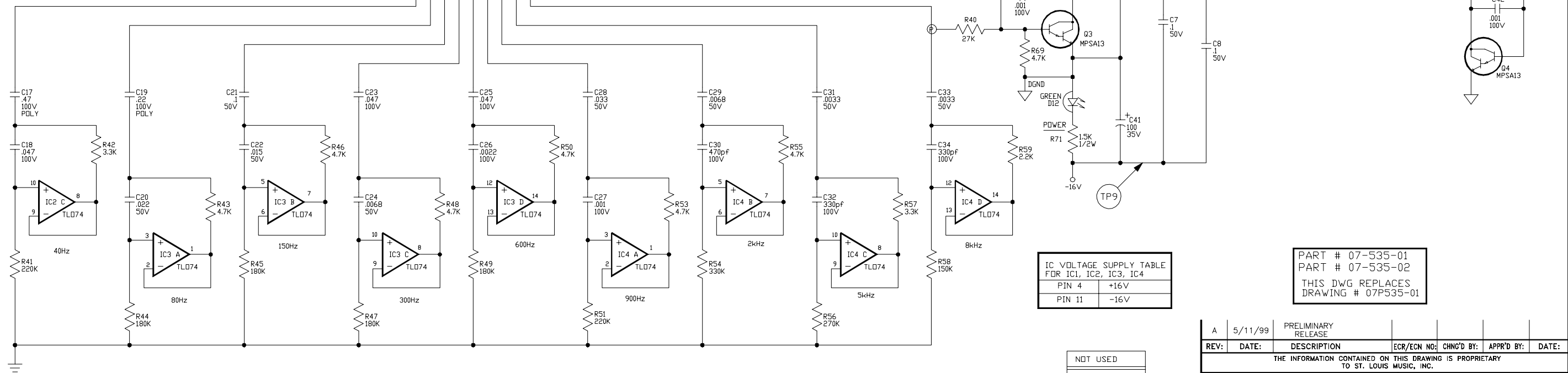


B-2 PREAMP TEST POINTS

INPUT SIGNAL 50mV P-P @ 1KHz
GAIN & LEVEL @ '10'; EQ's @ '5'

T.P.	AC VOLTAGE	DC VOLTAGE
1	50mV p-p	—
2	970mV p-p	—
3	8.5V p-p	—
4	15V p-p	—
5	15V p-p	—
6	680mV p-p	—
7	13V p-p	—
8	5mV p-p	+16V
9	-5mV p-p	-16V



IC VOLTAGE SUPPLY TABLE FOR IC1, IC2, IC3, IC4

PIN 4	+16V
PIN 11	-16V

PART # 07-535-01
PART # 07-535-02
THIS DWG REPLACES DRAWING # 07P535-01

CAUTION:
THIS SCHEMATIC IS PROVIDED FOR USE BY QUALIFIED PERSONNEL. TO AVOID RISK OF ELECTRIC SHOCK, REFER SERVICING TO QUALIFIED SERVICE PERSONNEL. DO NOT PERFORM ANY SERVICING BEYOND THAT EXPLAINED IN THE OPERATING INSTRUCTIONS.

NOTES
1) CAUTION: SHOCK HAZARD!
THIS UNIT CONTAINS HAZARDOUS VOLTAGE. DISCONNECT POWER AND BE SURE POWER SUPPLY IS DISCHARGED BEFORE TOUCHING INTERNAL PARTS.

- 2) UNLESS NOTED, RESISTOR VALUES IN OHMS, 1/4W-5% TOL. CAPACITOR VALUES IN MICROFARADS, 50V-10% TOL.
- 3) VOLTAGES ARE MEASURED WITH 1 MEGOHM OSCILLOSCOPE AND 10 MEGOHM DIGITAL VOLTMETER.
- 4) DIRTY GROUND ↓ SIGNAL GROUND ⇕

NOT USED
D7,8,9
R5,8,9,19,20,52,
60,61,62,63

A	5/11/99	PRELIMINARY RELEASE			
REV:	DATE:	DESCRIPTION	ECR/ECN NO:	CHNG'D BY:	APPR'D BY:
THE INFORMATION CONTAINED ON THIS DRAWING IS PROPRIETARY TO ST. LOUIS MUSIC, INC.					
SIGNATURES:		DATE:		11880 Borman Dr. St. Louis, Missouri 63146	
DRAWN: REM		5/11/99		FIRST USED ON: SVT350Ha	
CHK'D:		5/11/99		DRAWING TITLE: SCHEMATIC - BASS PREAMP	
RSL'D:				DRAWING NO.: 07S535-XX	
TOLERANCES:		DRAWING SIZE: D		DRAWING TITLE: SCHEMATIC - BASS PREAMP	
		DRAWING TYPE: SCHEMATIC		DRAWING NO.: 07S535-XX	
		CLASS CODE:		DRAWING NO.: 07S535-XX	
		SCALE: NONE		DRAWING NO.: 07S535-XX	
		SHEET:		DRAWING NO.: 07S535-XX	