

**CAUTION:**  
 THIS SCHEMATIC IS PROVIDED FOR USE BY QUALIFIED PERSONNEL.  
 TO AVOID RISK OF ELECTRIC SHOCK, REFER SERVICING TO QUALIFIED  
 SERVICE PERSONNEL. DO NOT PERFORM ANY SERVICING BEYOND  
 THAT EXPLAINED IN THE OPERATING INSTRUCTIONS.

INPUT SIGNAL AT J9 PIN 2,  
 1.0V P-P @ 1KHZ SINE WAVE.  
 J9 PIN 3 CONNECTED TO J9 PIN 4,  
 120VAC LINE VOLTAGE, NO LOAD.

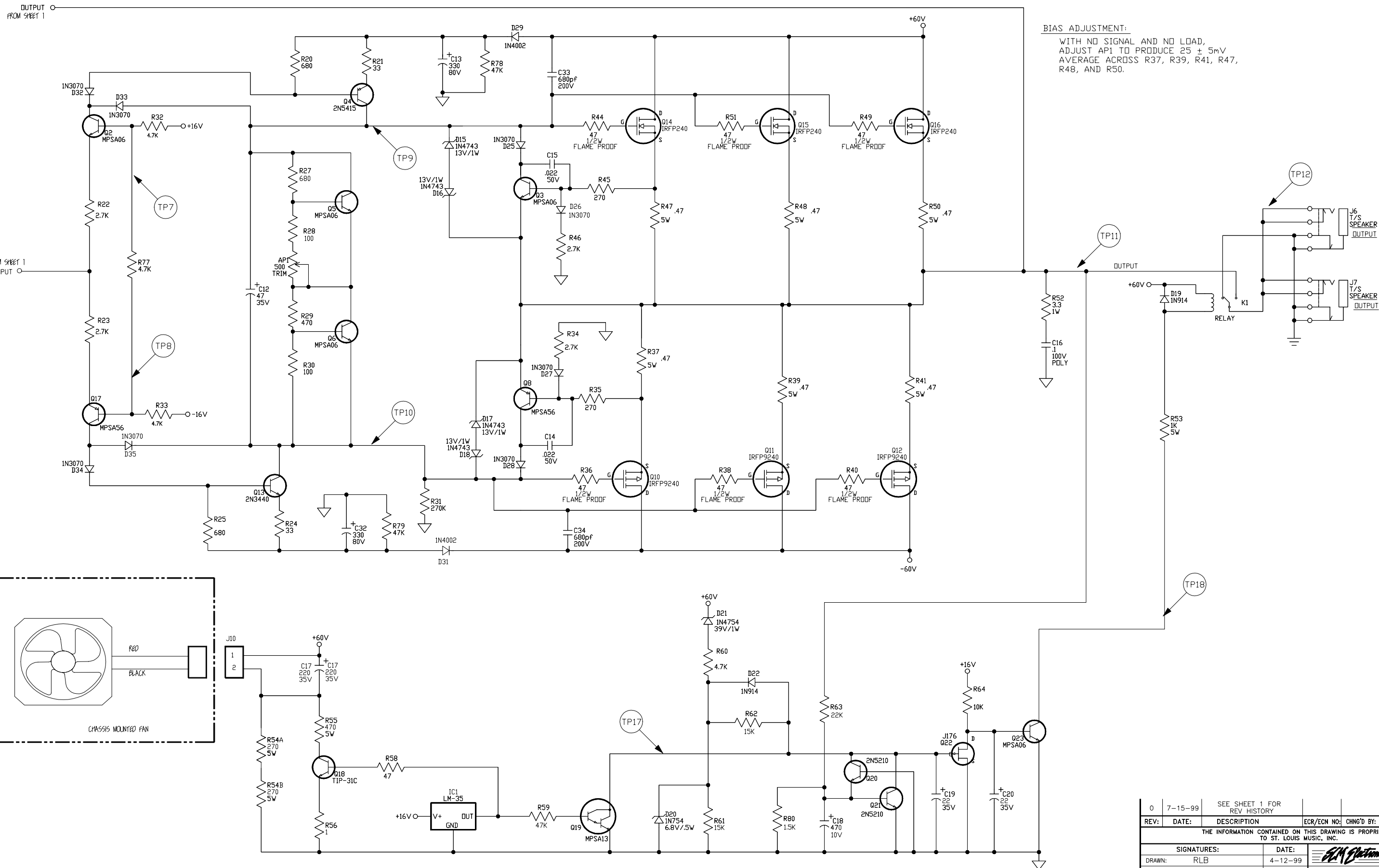
T.P.	AC VOLTAGE	DC VOLTAGE
1	1V p-p	—
2	1V p-p	—
3	1V p-p	—
4	1V p-p	—
5	2.25V p-p	—
6	5V p-p	SOME OFFSET POSSIBLE
7	0	+5.5V
8	0	+5.5V
9	50V p-p	+5.5V OFFSET
10	50V p-p	+5.5V OFFSET
11	50V p-p	—
12	50V p-p	—
13	400mV p-p ripple	+6.4V
14	400mV p-p ripple	-6.4V
15	—	+16V
16	—	-16V
17	—	+6.4V
18	—	<100nV

- NOTES**
- 1) CAUTION: SHOCK HAZARD!! THIS UNIT CONTAINS HAZARDOUS VOLTAGE. DISCONNECT POWER AND BE SURE POWER SUPPLY IS DISCHARGED BEFORE TOUCHING INTERNAL PARTS.
  - 2) UNLESS NOTED, RESISTOR VALUES IN OHMS, 1/4W-5% TOL. CAPACITOR VALUES IN MICROFARADS, 50V-10% TOL.
  - 3) VOLTAGES ARE MEASURED WITH 1 MEGOHM OSCILLOSCOPE AND 10 MEGOHM DIGITAL VOLTMETER.
  - 4) SIGNAL GROUND ≠ DIRTY GROUND ∇ CHASSIS GROUND ⚡

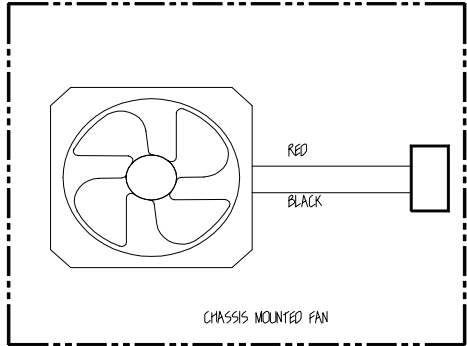
POWER TRANSFORMER  
 P/N 94-158-30  
 OR 94-158-40

**NOT USED**  
 Q7, Q9  
 D11, 12, 13, 14, 30  
 R57, R72

REV:	DATE:	DESCRIPTION:	ECR/ECN NO:	CHNG'D BY:	APPR'D BY:	DATE:
0	7-15-99	CONTROL ISSUE				
THE INFORMATION CONTAINED ON THIS DRAWING IS PROPRIETARY TO ST. LOUIS MUSIC, INC.						
SIGNATURES:		DATE:		11880 Borman Dr. St. Louis, Missouri 63146		
DRAWN: RLB		4-12-99		FIRST USED ON: B-2/SVT-350H		
CHK'D:				DRAWING TITLE: PWR AMP SCHEMATIC		
RLS'D:				DRAWING NO: 07S427-04		
TOLERANCES:		DRAWING SIZE: D		CLASS CODE:		
DRAWING TYPE:		SCALE: 1:1		SHEET: 1 OF 2		



BIAS ADJUSTMENT:  
 WITH NO SIGNAL AND NO LOAD,  
 ADJUST AP1 TO PRODUCE 25 ± 5mV  
 AVERAGE ACROSS R37, R39, R41, R47,  
 R48, AND R50.



0	7-15-99	SEE SHEET 1 FOR REV HISTORY			
REV:	DATE:	DESCRIPTION	ECR/ECN NO:	CHNG'D BY:	APPR'D BY:
THE INFORMATION CONTAINED ON THIS DRAWING IS PROPRIETARY TO ST. LOUIS MUSIC, INC.					
SIGNATURES:		DATE:	11880 Borman Dr. St. Louis, Missouri 63146		
DRAWN: RLB		4-12-99			
CHK'D:		FIRST USED ON:	B-2/SVT-350H		
RLS'D:		DRAWING TITLE:	PWR AMP SCHEMATIC		
TOLERANCES:		DRAWING SIZE: D	DRAWING NO: 07S427-04		
DRAWING TYPE:		CLASS CODE:	SCALE: 1:1 SHEET: 2 OF 2		