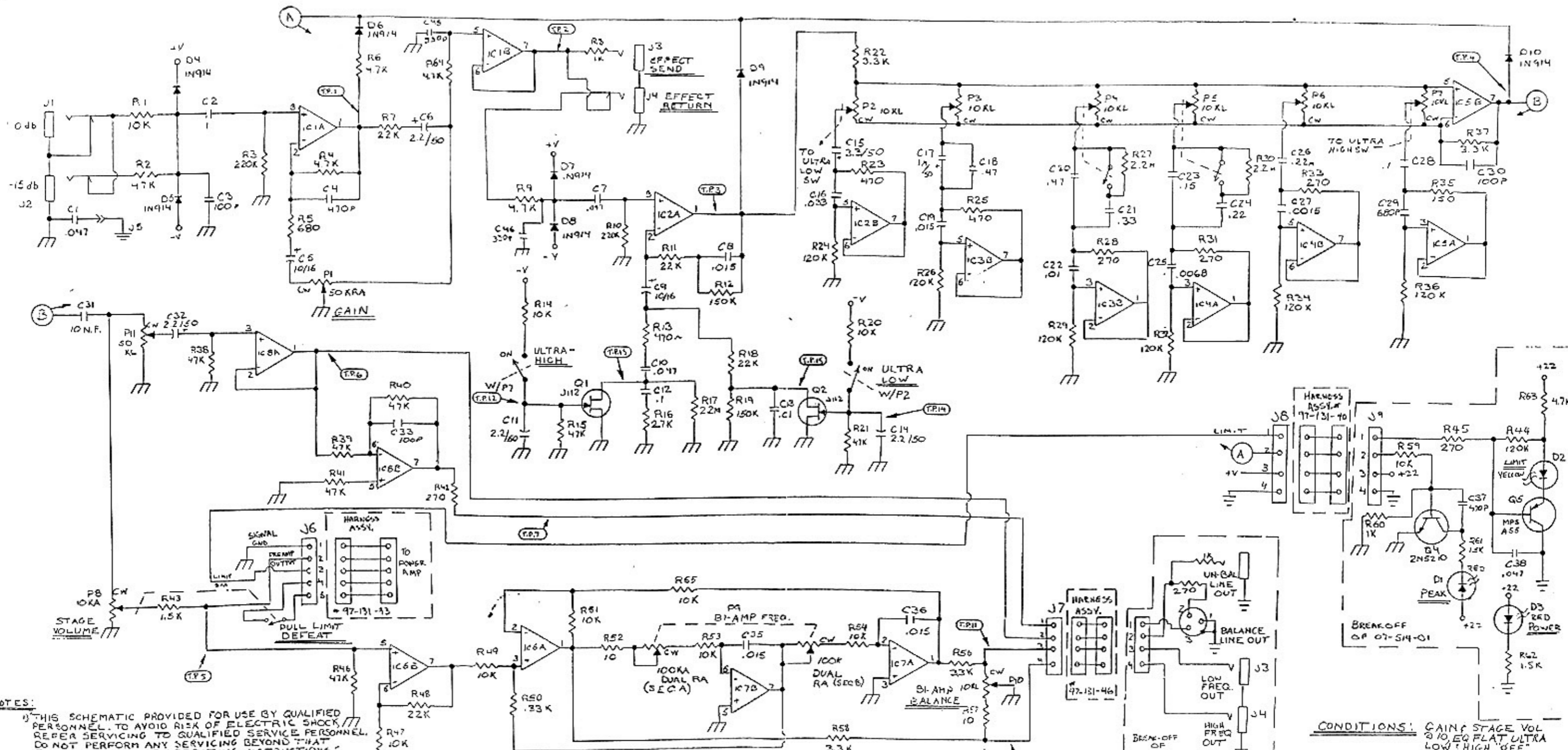
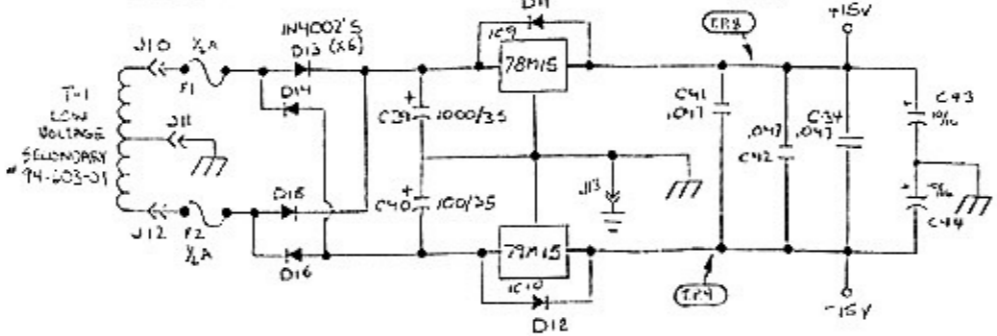


"SVT-200T PREAMP" P.C. BOARD ASSY # 07-510-01



- NOTES:**
- 1) THIS SCHEMATIC PROVIDED FOR USE BY QUALIFIED PERSONNEL. TO AVOID RISK OF ELECTRIC SHOCK, REFER SERVICING TO QUALIFIED SERVICE PERSONNEL. DO NOT PERFORM ANY SERVICING BEYOND THAT EXPLAINED IN THE OPERATING INSTRUCTIONS.
 - 2) THIS UNIT CONTAINS HAZARDOUS VOLTAGES, DISCONNECT POWER AND BE SURE POWER SUPPLY IS DISCHARGED BEFORE TOUCHING INTERNAL PARTS.
 - 3) UNLESS OTHERWISE SPECIFIED ALL RESISTORS ARE IN OHMS, W W 5%, UNLESS OTHERWISE SPECIFIED. ALL CAPACITORS ARE IN MICROFARADS, AND HAVE A 50 VOLT RATING.

CONDITIONS: GAIN & STAGE VOL @ 10 EQ FLAT ULTRA LOW, HIGH OFF. LINE OUT LEVEL @ 10



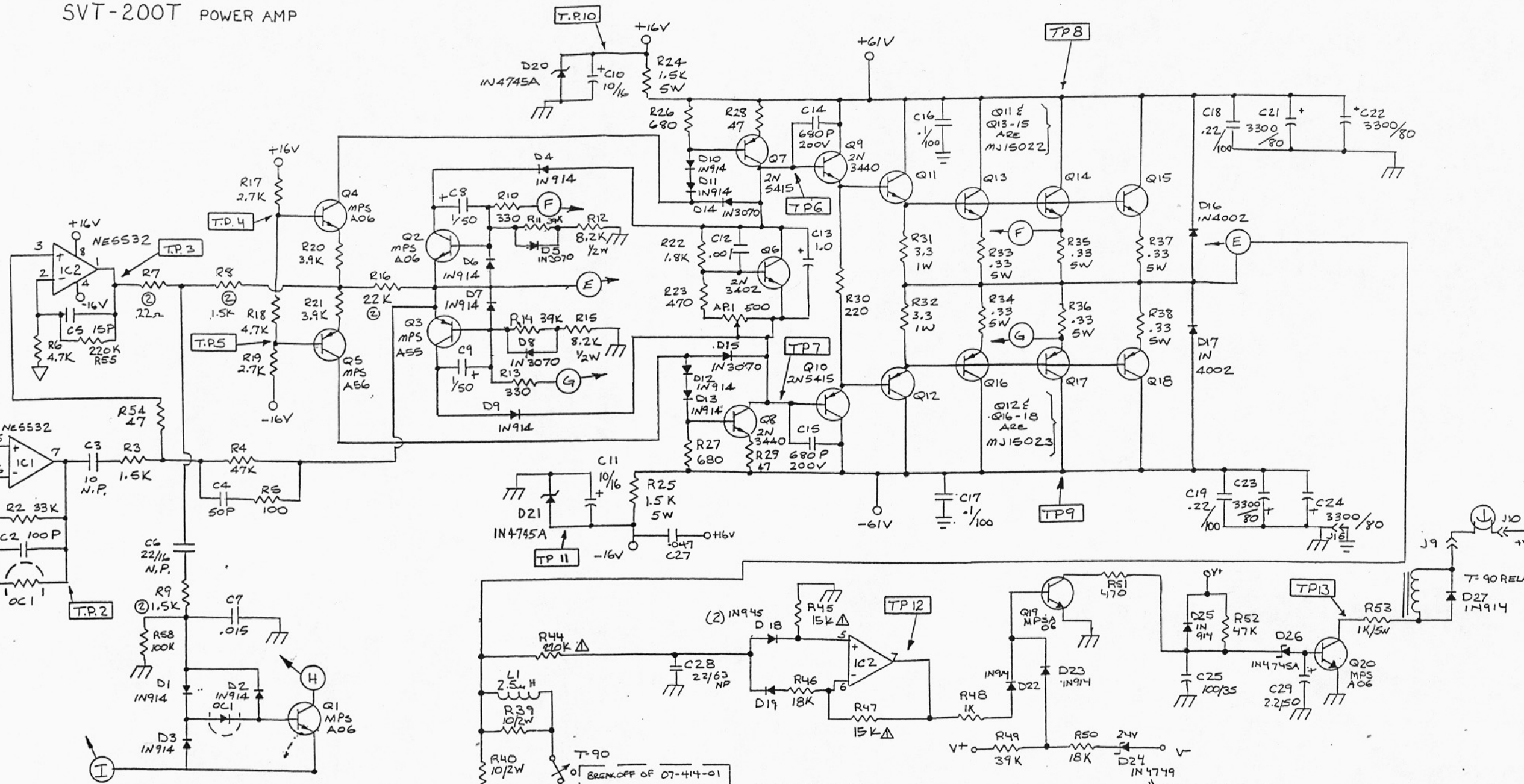
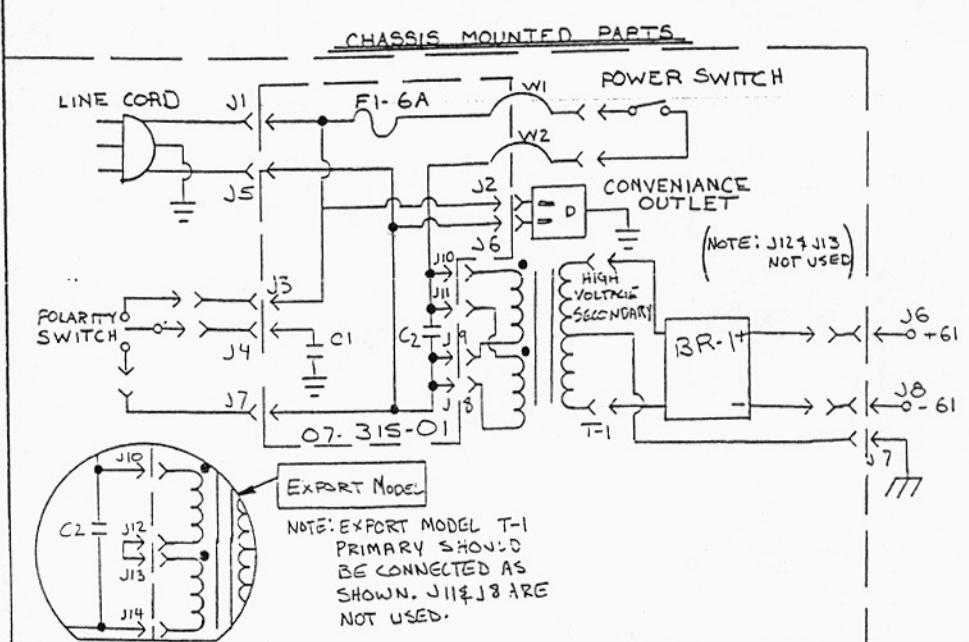
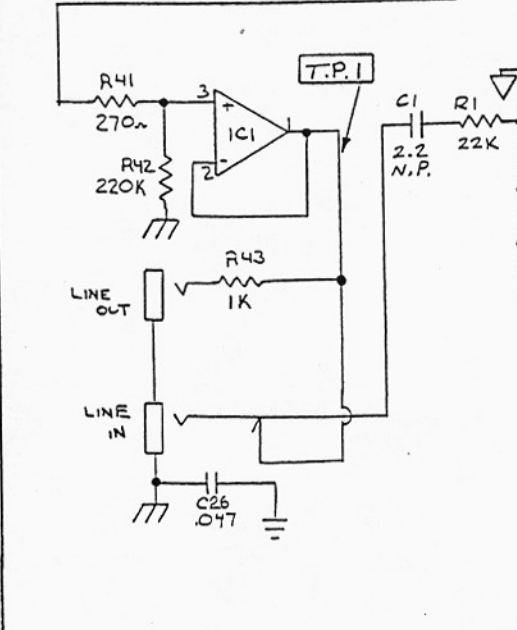
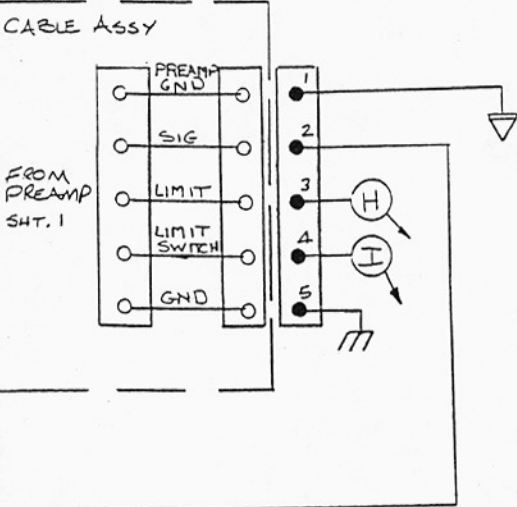
TEST POINTS

T.P.	.8 V.P.P INPUT		T.P.	.28 V.P.P INPUT	
	VP-P	VDC		VP-P	VDC
1	6V	0	11	6.5V	0
2	4.2V	0	12	0	-12V
3	2.4V	0	13	.75V	0
4	2.4V	0	14	0	0
5	2.3V	0	15	0	0
6	2.3V	0	16	0	-12V
7	2.2V	0	17	.75V	0
8	0	.15	18	0	0
9	0	+15	19	0	0

REV @ 2 No. C10 to P/N 16-409-01/51.

TOLERANCES	REVISIONS	AMPEG SVT-200T/350T
ORIGINAL	1	SCHEMATIC
FRACTIONAL	2	SLM ELECTRONICS
DECIMAL	3	1480 FORMAN ST. LONG BEACH, CA 90801
INCHES	4	DATE: 12-10-87
MILLIS	5	REVISED BY: J. J. JONES

SVT-200T POWER AMP



- NOTES:**
- 1) THIS SCHEMATIC PROVIDED FOR USE BY QUALIFIED PERSONNEL, TO AVOID RISK OF ELECTRIC SHOCK, REFER SERVICING TO QUALIFIED SERVICE PERSONNEL. DO NOT PERFORM ANY SERVICING BEYOND THAT EXPLAINED IN THE OPERATING INSTRUCTIONS.
 - 2) THIS UNIT CONTAINS HAZARDOUS VOLTAGES, DISCONNECT POWER AND BE SURE POWER SUPPLY IS DISCHARGED BEFORE TOUCHING INTERNAL PARTS.
 - 3) UNLESS OTHERWISE SPECIFIED ALL RESISTORS ARE IN OHMS, 1/4 WATT, 5%. ALL CAPACITORS ARE IN MICROFARADS AND HAVE A 50V RATING.

ASSEMBLY #16-409-51 (SVT-350T POWER AMP) IS THE SAME AS ASSEMBLY #16-409-01 (SVT-200T POWER AMP)

REV	DESCRIPTION	16-409-01	16-409-01 & 16-409-51
2	R7	150K	22K
	R8	1K	CHANGED TO 1.5K
	R9	1K	TU 1.5K
	R16	27K	22K

TEST POINTS

TP	Vac	RMS	V _{DC}
1	.883v	0	
2	1.3v	10mv ± 5mv	
3	1.7v	200mv ± 50mv	
4	0	8v ± .5v	
5	0	8v ± .5v	
6	40V	1.45V ± 20mv	
7	40V	1.45V ± 20mv	
8	2VP-P RIPPLE	71v ± 2v	
9	2VP-P RIPPLE	71v ± 2v	
10	.01VP-P RIPPLE	+17v ± 2v	
11	.01VP-P RIPPLE	-17v ± 2v	
12	0	10mv ± 5mv	
13	0	1v ± 20mv	
14	40V	10mv ± .5mv	

PARTIAL PARTS LIST

PART	DESCRIPTION	PART NO.	PART	DESCRIPTION	PART NO.
Q1	MPSA06	96-006-01	IC1	5532	37-532-01
Q2	MPSA06	96-006-01	IC2	5532	37-532-01
Q3	MPSA55	96-055-01	OC-1	VT15C7	66-100-01
Q4	MPSA06	96-006-01	L1	2.5uH	94-142-01
Q5	MPSA56	96-056-01	K1	T-90 RELAY	82-090-01
Q6	2N3402	96-342-01	J2	1/4" CLIFF	39-116-01
Q7	2N5415	96-515-01	J3	5 PIN HD	17-310-05
Q8	2N3440	96-340-01	J4,5	1/4" CLIFF	39-116-01
Q9	2N3440	96-340-01	J6-10	250 TAB	17-836-01
Q10	2N5415	96-514-01	AP-1	500u TRIMPOT	71-501-02
Q11	MJ15022	96-122-01	RCB #		C6A414-01
Q12	MJ15023	96-123-01			
Q13	MJ15022	96-122-01			
Q14	MJ15022	96-122-01			
Q15	MJ15022	96-122-01			
Q16	MJ15023	96-123-01			
Q17	MJ15023	96-123-01			
Q18	MJ15023	96-123-01			
Q19	MPSA06	96-006-01			
Q20	MPSA06	96-006-01			

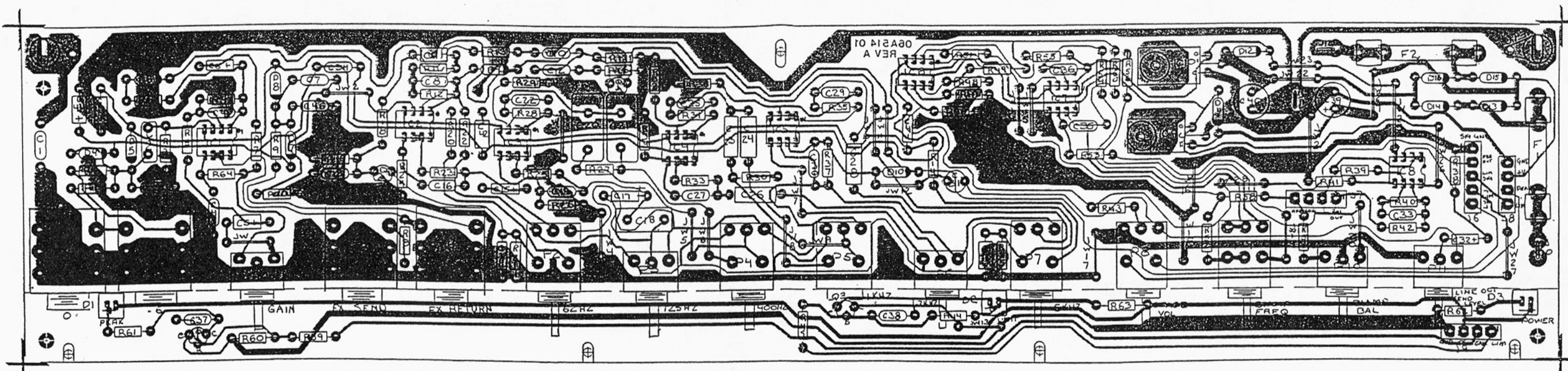
P/N 16-409-51
P/N 16-409-01

SVT-200T / POWER AMP
SVT-350T SHT. 2 of 2

REVISIONS:
 Δ 9-14-87 DEF
 © 7-25-89 REM

SLM ELECTRONICS
 1400 FERGUSON AVE.
 ST. LOUIS, Mo. 63133

REV 23-87 / 7-25-81 2 of 2
 DWG No: 16-409-01/51

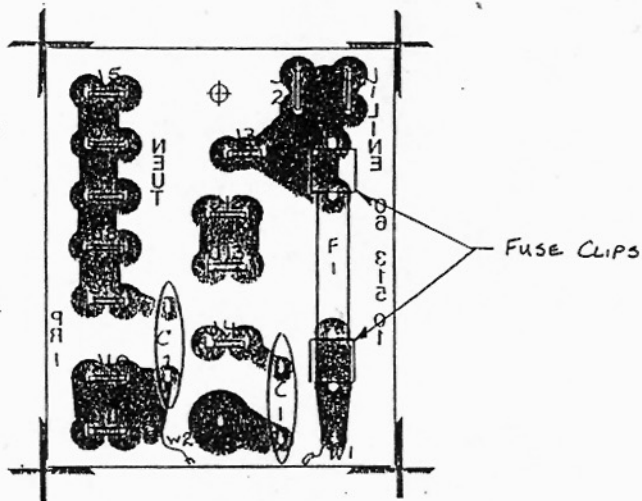


PART	DESCRIPTION	PART NO.	PART	DESCRIPTION	PART NO.	PART	DESCRIPTION	PART NO.	PART	DESCRIPTION	PART NO.
R1	10 K	76-103-01	R43	1.5K	76-152-01	C19	.015	10A153-01	P1	50KRA	70-503-23
R2	47K	76-473-01	R44	120K	76-124-01	C20	.47	10-474-03	P2	10KL/SW	70-103-27
R3	220K	76-224-01	R45	270	76-271-01	C21	.33	10-334-01	P3	10 KL	70-132-01
R4	4.7K	76-473-01	R46	47K	76-473-01	C22	.01	10A103-01	P4	10KL/SW	70-103-27
R5	680	76-681-01	R47	10K	76-103-01	C23	.15	10A154-01	P5	10KL/SW	70-103-27
R6	4.7K	76-472-01	R48	22K	76-223-01	C24	.22	10A224-01	P6	10KL	70-132-01
R7	22K	76-223-01	R49	10K	76-103-01	C25	.0068	10A682-01	P7	10KL/SW	70-103-27
R8	1K	76-102-01	R50	3.3K	76-332-01	C26	.22	10A224-01	P8	10KA/SW	70-103-28
R9	4.7K	76-472-01	R51	10K	76-103-01	C27	.0015	10A152-11	P9	100KRA/DUAL	70-104-26
R10	220K	76-224-01	R52	10K	76-103-01	C28	.1	10A104-01	P10	10 KL/DET.	70-103-24
R11	22K	76-223-01	R53	10K	76-103-01	C29	680P	10A681-21	P11	50KL	70-133-01
R12	150K	76-154-01	R54	10K	76-103-01	C30	100 P	10A101-21	Q1	J112	96-112-01
R13	470	76-471-01	R55	10K	76-103-01	C31	10 N.P.	12-106-81	Q2	J112	96-112-01
R14	10K	76-103-01	R56	3.3K	76-332-01	C32	2.2/50	12A225-51	Q3	MPS A55	96-055-01
R15	47K	76-473-01	R57	10K	76-103-01	C33	100 P	10A101-21	Q4	2N5210	96-510-01
R16	2.7K	76-272-01	R58	3.3K	76-332-01	C34	.047	10A473-11	IC1-8	4558	37-458-01
R17	2.2 M	76-225-01	R59	10K	76-103-01	C35	.015	10A153-01	IC9	78M15	37-715-01
R18	2.2 K	76-223-01	R60	1K	76-102-01	C36	.015	10A153-01	IC10	79M15	37-915-01
R19	150K	76-154-01	R61	1.5K	76-152-01	C37	470P	10A471-11	J1	1/4" CLIFF	39-119-01
R20	10K	76-103-01	R62	1.5K	76-152-01	C38	.047	10A473-11	J2	1/4" CLIFF	39-117-01
R21	47K	76-473-01	R63	4.7K	76-472-01	C39	1000/35	12-108-32	J3	1/4" CLIFF	39-119-01
R22	3.3K	76-332-01	R64	4.7K	76-472-01	C40	1000/35	12-108-32	J4	1/4" CLIFF	39-119-01
R23	470	76-471-01	JW 1-28	0.2 JUMPER	76-000-01	C41	.047	10A473-11	J5	GROUND LUG	17-500-01
R24	120K	76-124-01	C1	.047	10A473-11	C42	.047	10A473-11	J6	5 PIN HEADER	17-310-03
R25	470	76-471-01	C2	.150K	10-104-03	C43	10/16	12A106-11	J7	4 PIN HEADER	17-310-04
R26	120K	76-124-01	C3	100P	10A101-21	C44	10/16	12A106-11	J8	4 PIN HEADER	17-310-04
R27	2.2 M	76-225-01	C4	470P	10A471-11	C45	330P	10A331-11	J9	4 PIN HEADER	17-310-04
R28	270	76-271-01	C5	10/16	12A106-11	C46	330P	10A331-11	J10	.187 TAB	17-310-04
R29	120K	76-124-01	C6	2.2/50	12A225-51	D1	RED LED	21-501-01	J11	.187 TAB	17-310-01
R30	2.2 M	76-225-01	C7	.047	10A473-11	D2	YELLOW LED	21-503-01	J12	.187 TAB	17-310-01
R31	270	76-271-01	C8	.015	10A153-01	D3	RED LED	21-501-01	J13	.187 TAB	17-310-01
R32	120K	76-124-01	C9	10/16	12A106-11	D4	IN914	21A914-01	FI-2	.5A FUSE	23-300-01
R33	270	76-271-01	C10	.047	10A473-11	D5	IN914	21A914-01	QTY	FUSE CLIPS	23-926-01
R34	120K	76-124-01	C11	2.2/50	12A225-51	D6	IN914	21A914-01	PCB		06A514-01
R35	150	76-151-01	C12	.1	10A104-01	D7	IN914	21A914-01			
R36	120K	76-124-01	C13	.01	10A103-01	D8	IN914	21A914-01			
R37	3.3K	76-332-01	C14	2.2/50	12A225-51	D9	IN914	21A914-01			
R38	47K	76-473-01	C15	3.3/50	12A335-51	D10	IN914	21A914-01			
R39	47K	76-473-01	C16	.033	10A333-01	D11	IN4002	21A402-01			
R40	47K	76-473-01	C17	1/50	10A105-51	D12	IN4002	21A402-01			
R41	47K	76-473-01	C18	.47	10-474-03	D13	IN4002	21A402-01			
R42	270	76-271-01				D14	IN4002	21A402-01			
						D15	IN4002	21A402-01			
						D16	IN4002	21A402-01			

NOTE: UNLESS OTHERWISE SPECIFIED ALL RESISTORS ARE IN OHMS, 1/4 WATT, 5%. ALL CAPACITORS ARE IN MICROFARADS AND HAVE A 50 VOLT RATING.

PCB# 06A514-01

TOLERANCES	REVISIONS	AMPEG SVT-200T PREAMP
DECIMAL	NO. DATE BY	SLM ELECTRONICS
FRACTIONAL		11880 BORMAN ST. LOUIS MO. 63146
ANGULAR		SCALE 2X MATERIAL
		DATE 4-24-87 DRAWING NO.
		APP'D 07-514-01



PART	DESCRIPTION	PART NO.
C1,C2	.0027 U.L.	10-272-01
J3,4,7	.187 TAB	17-874-01
J1,2,5,6,7-13	.250 TAB	17-836-01
W1,2	4'SNG/250BMT	97-152-14
2 FUSE CLIPS		23-926-01
△F1.	6L. 6LW BAWAKE	23-307-01
	PC. BOARD	06-315-01

TOLERANCES	REVISIONS			AC TERMINATION ISD FOR SVT-800T, SS-HOC		
DECIMAL	NO	DATE	BY	SLM ELECTRONICS		
1	1	7. 11 81	LEF	11880 BORMAN ST. LOUIS MO. 63146		
FRACTIONAL	2			DRAWN BY	SCALE	MATERIAL
1	1			JIC	2X	
ANGULAR	2			CHEF	DATE	DRAWING NO.
1	1			TEK	5-20-87	07P315-01
2	1			TRACED	APP B	