

TEST POINT CONDITIONS:
 INPUT SIGNAL AT J9 PIN 2.
 1V P-P @ 1KHz SINE WAVE
 J9 PIN 3 CONNECTED TO J9 PIN 4,
 120VAC LINE VOLTAGE, NO LOAD.

TUNER/PRE LINE OUT
 EFFECTS SEND
 EFFECTS RETURN
 PREAMP OUT
 LIMITER
 PREAMP GROUND
 +16V
 -16V
 DIRTY GROUND
 LIMIT LED

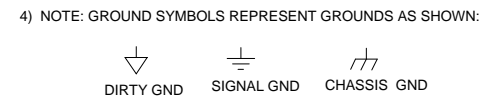
OUTPUT FROM SHEET 2

INPUT TO SHEET 2

ASSY PART # 07-388-01
 ASSY PART # 07-388-02
 ASSY PART # 07-388-03

CAUTION:
 THIS SCHEMATIC IS PROVIDED FOR USE BY QUALIFIED PERSONNEL.
 TO AVOID RISK OF ELECTRIC SHOCK, REFER SERVICING TO QUALIFIED
 SERVICE PERSONNEL. DO NOT PERFORM ANY SERVICING BEYOND
 THAT EXPLAINED IN THE OPERATING INSTRUCTIONS.

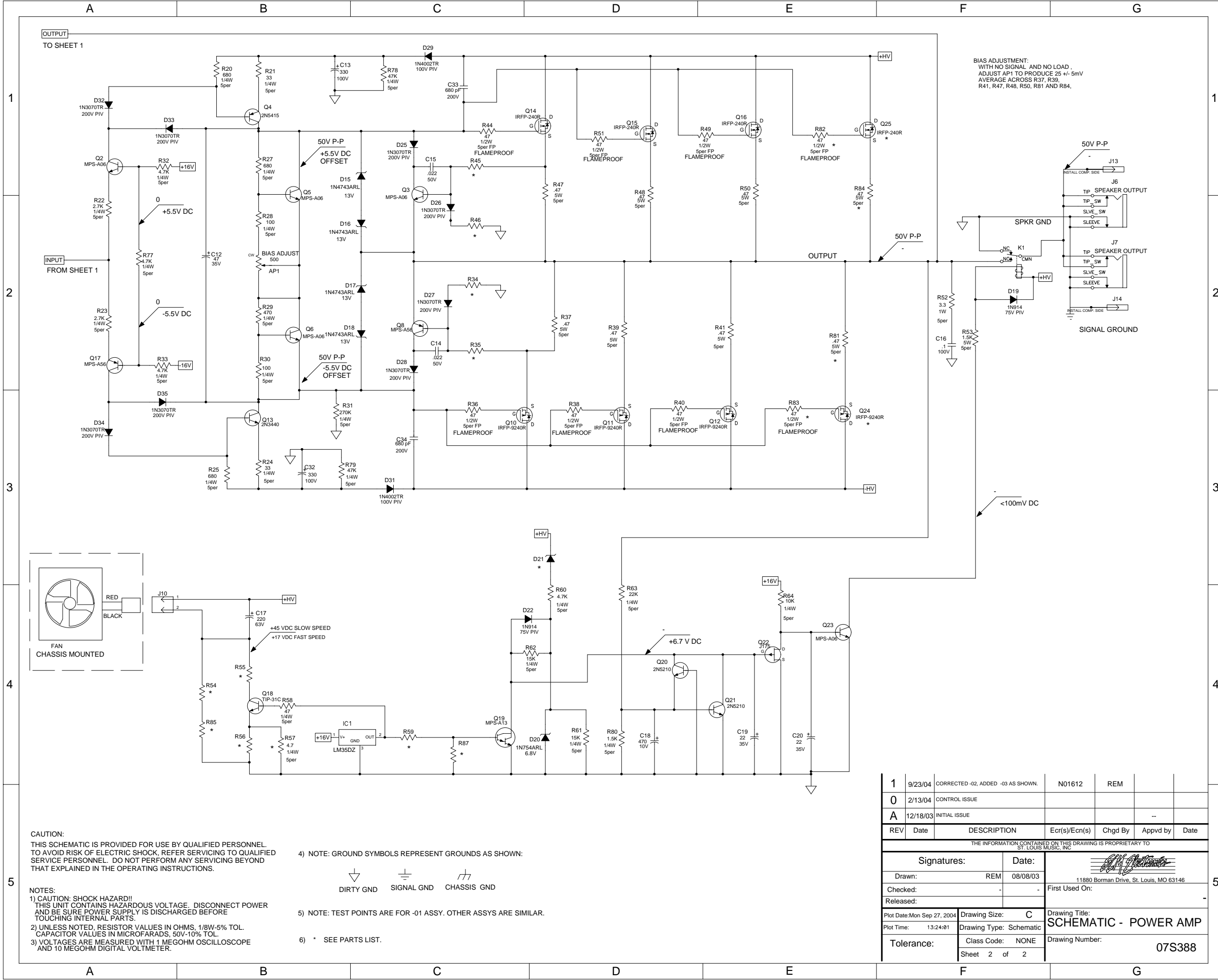
NOTES:
 1) CAUTION: SHOCK HAZARD!!
 THIS UNIT CONTAINS HAZARDOUS VOLTAGE. DISCONNECT POWER
 AND BE SURE POWER SUPPLY IS DISCHARGED BEFORE
 TOUCHING INTERNAL PARTS.
 2) UNLESS NOTED, RESISTOR VALUES IN OHMS, 1/8W-5% TOL.
 CAPACITOR VALUES IN MICROFARADS, 50V-10% TOL.
 3) VOLTAGES ARE MEASURED WITH 1 MEGOHM OSCILLOSCOPE
 AND 10 MEGOHM DIGITAL VOLTMETER.



5) NOTE: TEST POINTS ARE FOR -01 ASSY. OTHER ASSYS ARE SIMILAR.
 6) * SEE PARTS LIST.

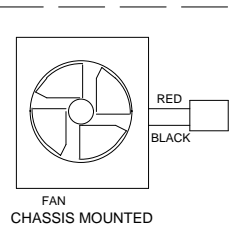
Power Table		
RefDes	+16V	-16V
IC2	8	4
IC3	4	11
IC4	8	4

1	9/23/04	CORRECTED -02, ADDED -03 AS SHOWN.	N01612	REM		
0	2/13/04	CONTROL ISSUE				
A	12/18/03	INITIAL ISSUE				
REV	Date	DESCRIPTION	Ecr(s)/Ecn(s)	Chgd By	Appvd by	Date
THE INFORMATION CONTAINED ON THIS DRAWING IS PROPRIETARY TO ST. LOUIS MUSIC, INC.						
Signatures:			Date:			
Drawn: REM			08/08/03		11880 Borman Drive, St. Louis, MO 63146	
Checked: -			-		First Used On:	
Released:						
Plot Date: Mon Sep 27, 2004		Drawing Size: C		Drawing Title: SCHEMATIC - POWER AMP		
Plot Time: 13:24:00		Drawing Type: Schematic		Drawing Number: 07S388		
Tolerance:		Class Code: NONE				
Sheet 1 of 2						



BIAS ADJUSTMENT:
 WITH NO SIGNAL AND NO LOAD,
 ADJUST AP1 TO PRODUCE 25 +/- 5mV
 AVERAGE ACROSS R37, R39,
 R41, R47, R48, R50, R81 AND R84.

<100mV DC



CAUTION:
 THIS SCHEMATIC IS PROVIDED FOR USE BY QUALIFIED PERSONNEL.
 TO AVOID RISK OF ELECTRIC SHOCK, REFER SERVICING TO QUALIFIED
 SERVICE PERSONNEL. DO NOT PERFORM ANY SERVICING BEYOND
 THAT EXPLAINED IN THE OPERATING INSTRUCTIONS.

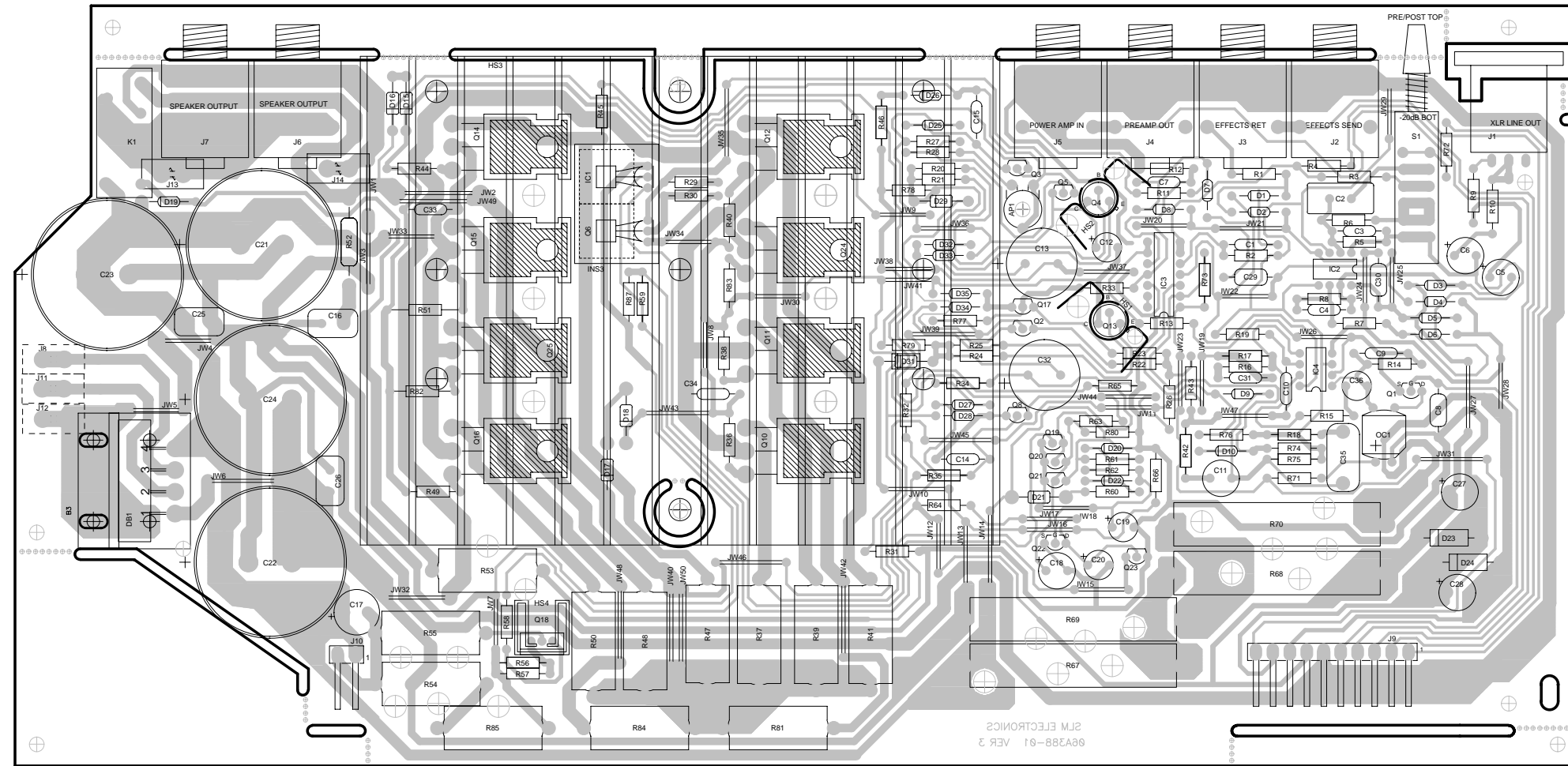
NOTES:
 1) CAUTION: SHOCK HAZARD!!
 THIS UNIT CONTAINS HAZARDOUS VOLTAGE. DISCONNECT POWER
 AND BE SURE POWER SUPPLY IS DISCHARGED BEFORE
 TOUCHING INTERNAL PARTS.
 2) UNLESS NOTED, RESISTOR VALUES IN OHMS, 1/8W-5% TOL.
 CAPACITOR VALUES IN MICROFARADS, 50V-10% TOL.
 3) VOLTAGES ARE MEASURED WITH 1 MEGOHM OSCILLOSCOPE
 AND 10 MEGOHM DIGITAL VOLTMETER.

4) NOTE: GROUND SYMBOLS REPRESENT GROUNDS AS SHOWN:

5) NOTE: TEST POINTS ARE FOR -01 ASSY. OTHER ASSYS ARE SIMILAR.

6) * SEE PARTS LIST.

1	9/23/04	CORRECTED -02, ADDED -03 AS SHOWN.	N01612	REM		
0	2/13/04	CONTROL ISSUE				
A	12/18/03	INITIAL ISSUE				
REV	Date	DESCRIPTION	Ecr(s)/Ecrn(s)	Chgd By	Appvd by	Date
THE INFORMATION CONTAINED ON THIS DRAWING IS PROPRIETARY TO ST. LOUIS MUSIC, INC.						
Signatures:		Date:		 11880 Borman Drive, St. Louis, MO 63146		
Drawn: REM		08/08/03				
Checked: -		-		First Used On: -		
Released:				Drawing Title: SCHEMATIC - POWER AMP		
Plot Date: Mon Sep 27, 2004		Drawing Size: C		Drawing Number: 07S388		
Plot Time: 13:24:01		Drawing Type: Schematic		Class Code: NONE		
Tolerance:		Sheet 2 of 2				



ASSY PART # 07-388-01
 ASSY PART # 07-388-02
 ASSY PART # 07-388-03

3.) 07-388-02 ASSY - INSTALL J13 & J14 COMPONENT SIDE.

2.) FOR ASSEMBLY P/N: 07-388-01 & 07-388-02 & 07-388-03
 USE SCHEMATIC # 07S388


NOTES:

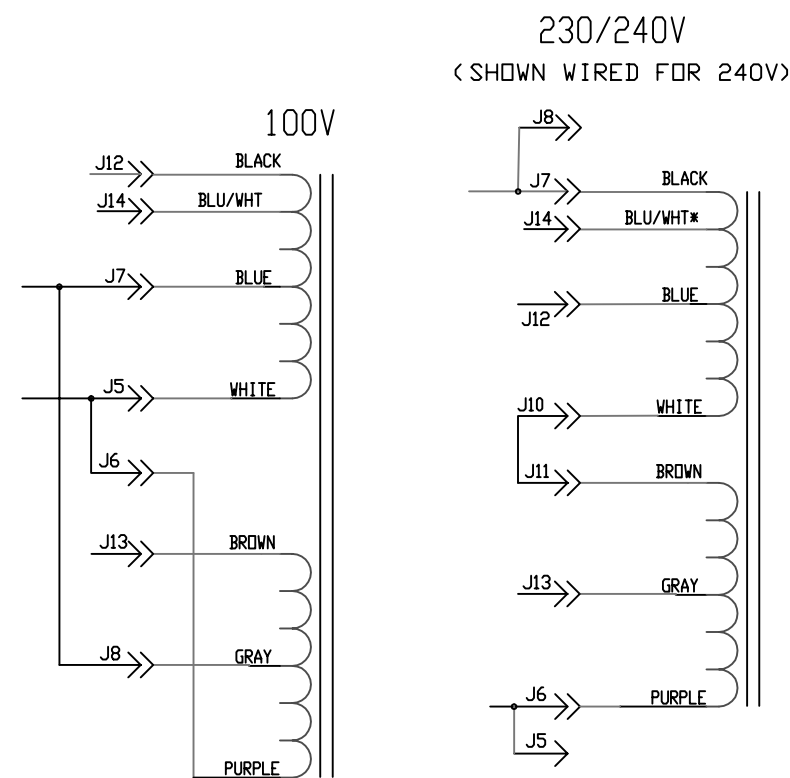
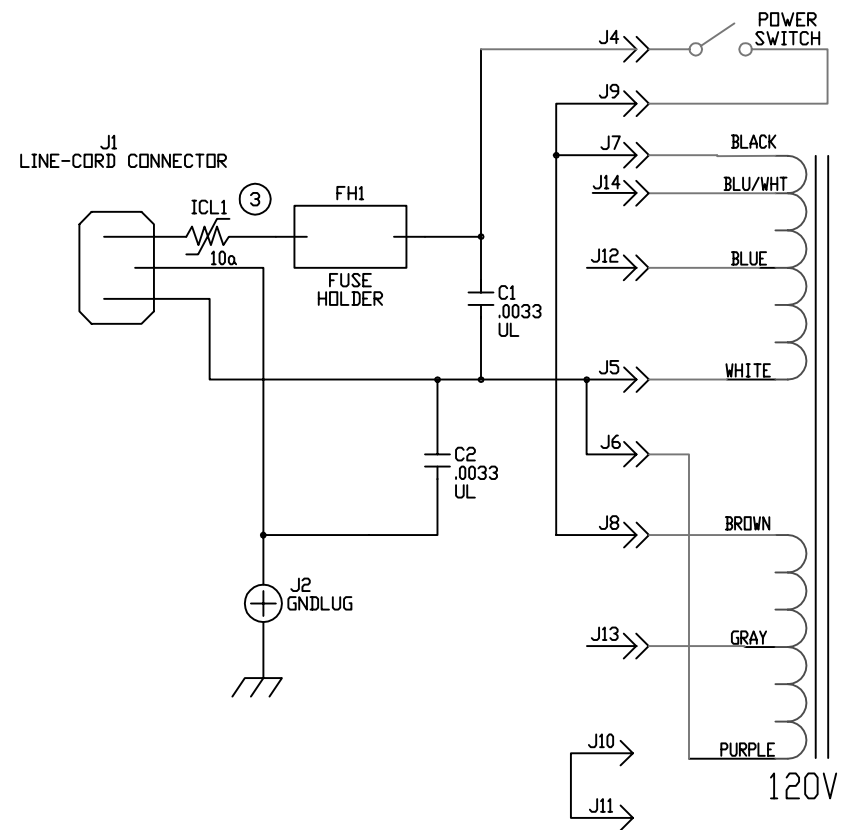
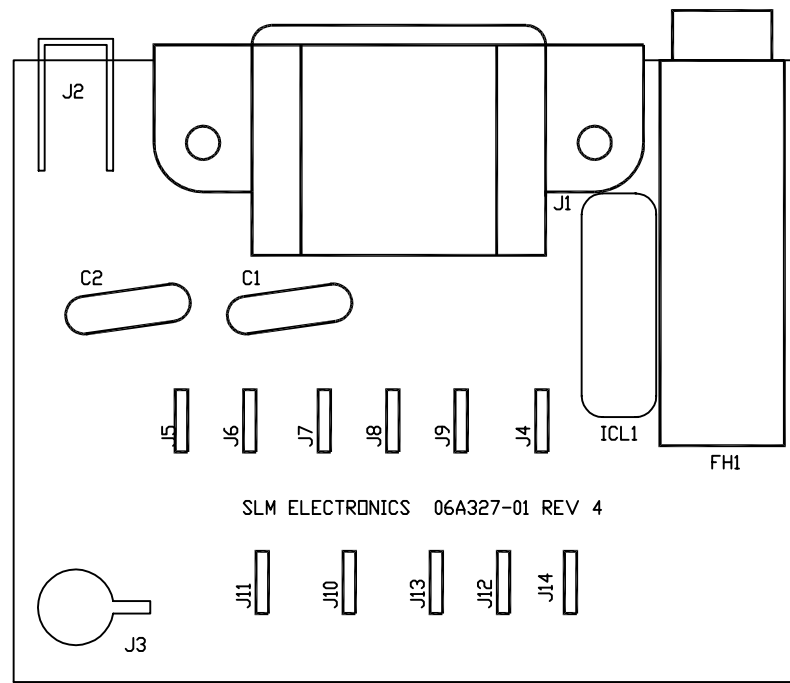
1. GOOP IN ACCORDANCE WITH PRODUCTION S.O.P.

CAUTION:
 THIS ASSEMBLY DRAWING IS PROVIDED FOR USE BY QUALIFIED PERSONNEL.
 TO AVOID RISK OF ELECTRIC SHOCK, REFER SERVICING TO QUALIFIED SERVICE PERSONNEL.
 DO NOT PERFORM ANY SERVICING BEYOND THAT EXPLAINED IN THE OPERATING INSTRUCTIONS.

REV	Date	DESCRIPTION	Ecr(s)/Ecn(s)	Chgd By	Appvd by	Date
1	9/24/04	CORRECTED -02 ADDED -03	N01612	REM		
0	2/13/04	CONTROL ISSUE				
A	12/17/03	INITIAL ISSUE				

THE INFORMATION CONTAINED ON THIS DRAWING IS PROPRIETARY TO
ST. LOUIS MUSIC, INC

Signatures:	Date:	 11880 Borman Drive, St. Louis, MO 63146
Drawn: REM	10/06/03	
Checked: -		First Used On: -
Released:		
Plot Date: Mon Sep 27, 2004	Drawing Size: C	Drawing Title: PWA - POWER AMPLIFIER
Plot Time: 08:02:30	Drawing Type: ASSEMBLY	Drawing Number: 07-388
Tolerance:	Class Code: NONE	
	Sheet 1 of 1	



EXPORT WIRING

* FOR "230V" VERSIONS REVERSE THE BLUE/WHITE AND THE BLACK TRANSFORMER LEAD.

DESIGNATOR	PART #	DESCRIPTION
------------	--------	-------------

C1	10-332-01	.0033 UL
C2	10-332-01	.0033 UL
FH1	23-346-01	FUSE HOLDER
J1	17-604-01	LINE-CORD CONNECTOR
J2	51-149-01	GND LUG
J3	NOT USED	
J4	17-836-01	.250 TAB
J5	17-836-01	.250 TAB
J6	17-836-01	.250 TAB
J7	17-836-01	.250 TAB
J8	17-836-01	.250 TAB
J9	17-836-01	.250 TAB
J10	17-836-01	.250 TAB
J11	17-836-01	.250 TAB
J12	17-836-01	.250 TAB
J13	17-836-01	.250 TAB
J14	17-836-01	.250 TAB

ICL1	73-501-10	10a
------	-----------	-----

QTY	MISC.	
2	30-638-53	6-32 x 3/8" SCREW
2	30-700-01	6-32 HEX KEPNUT ASSY
1	06A327-01	PC BOARD

REV	DATE	BY	CHK'D	DESCRIPTION
3	6-22-98	RLB		ADDED ICL1 TO P/L.PCB AND SCHEMATIC PER ECO 980346
2	09/10/97	SWR		ADDED J14. PER ECO #970424.
1	02/03/94	SWR		ADDED VOLTAGE FOR DOMESTIC TRANSFORMER PER ECO #E039

SIGNATURES:	DATE:	 11880 BORMAN DR. ST. LOUIS, MISSOURI 63146
DRAWN: S.RADER	11/12/93	
CHK'D: GM	07/01/98	PROJECT NAME:
APP'D: GM	07/01/98	B-2/SVT-350
ORIGINAL ISSUED:	11/12/93	DRAWING NAME:
PLOT DATE:	07/02/98	A.C. TERM. BD. PICT.
PLOT TIME:	10:12:23	DRAWING NO. 07P327-01
FILE NAME:	32701P3_	REV 3_