

"CHASSIS MOUNTED" PARTS

NOTE: SEE SH-3 FOR EXPORT POWER WOOD-UP.

16-411-01

TOLERANCES	REVISIONS	DATE	BY
RESISTORS	1	5-10-85	DP
CAPACITORS	1	5-10-85	DP
IC'S	1	5-10-85	DP
TRANSISTORS	1	5-10-85	DP
DIODES	1	5-10-85	DP

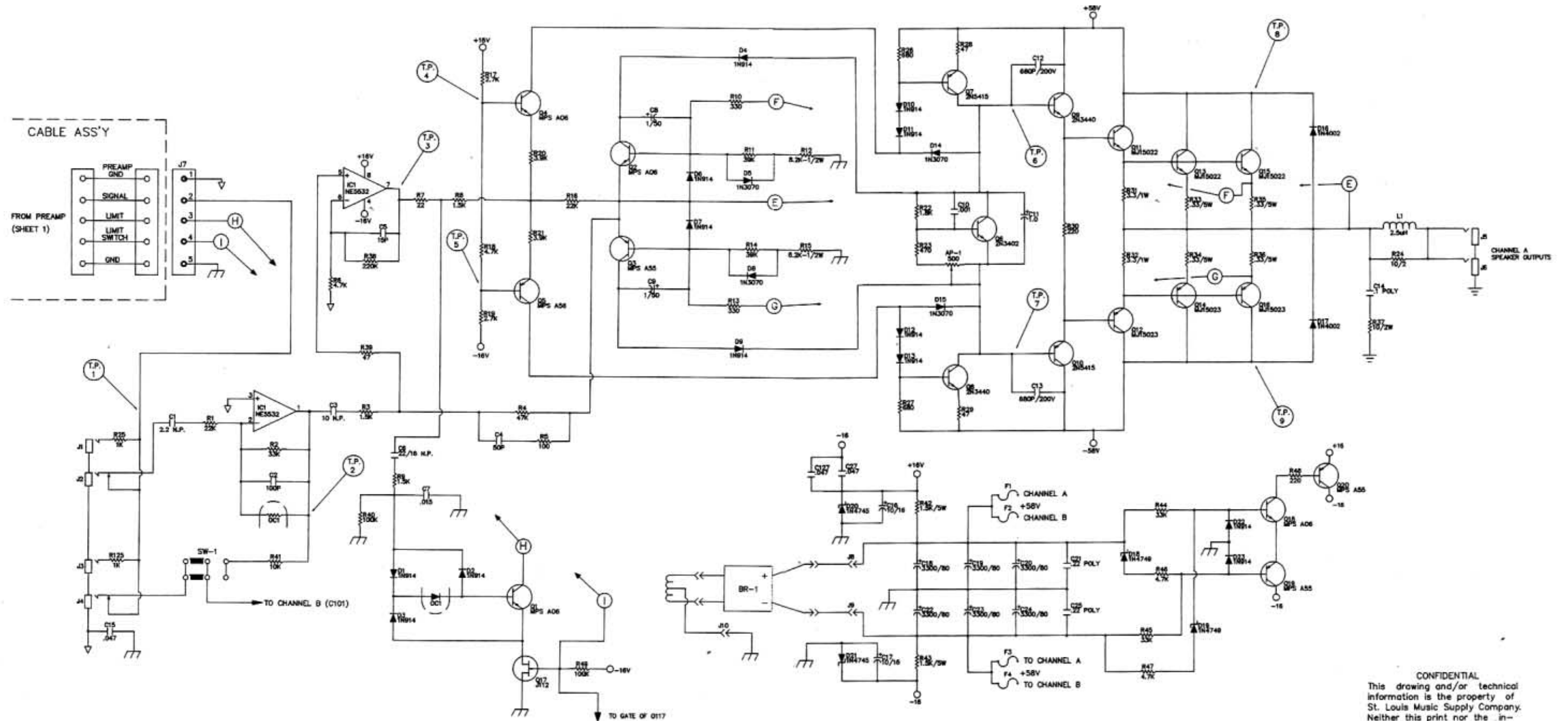
SVT-400T PRE-AMP (SCHEM.)

SLM ELECTRONICS

400 PERRINSON ST. LEWIS, MO 64508

PHONE: 314-291-1111 FAX: 314-291-1111

16-411-01



PARTIAL PARTS LIST

PART	DESCRIP.	PART NO.	PART	DESCRIP.	PART NO.
Q1, 101	MPSA06	96-006-01	J1-4	1/4" CLIFF	39-116-01
Q2, 102	MPSA06	96-006-01	J5, 105	1/4" CLIFF	39-116-01
Q3, 103	MPSA55	96-055-01	J6, 106	1/4" CLIFF	39-116-01
Q4, 104	MPSA06	96-006-01	J7	(5) PIN HDR	17-310-05
Q5, 105	MPSA55	96-055-01	J8-10	.250 FASTON	17-036-01
Q6, 106	2N3402	96-342-01	J11, 12	1/4" CLIFF	39-116-01
Q7, 107	2N5415	96-515-01	J13	MALE XLR	39-308-01
Q8, 108	2N3440	96-340-01	J14-16	1/4" CLIFF	39-116-01
Q9, 109	2N3440	96-340-01	J17	(8) PIN HDR	17-310-08
Q10, 110	2N5415	96-515-01	IC1, 101	NE532	37-532-01
Q11, 111	MJ15022	96-122-01	AP-1, 101	500 TRIM PNT	71-501-02
Q12, 112	MJ15023	96-123-01	L1, 101	2.5µH COIL	94-142-01
Q13, 113	MJ15022	96-122-01	OC-1, 101	DPTD CPLR 5C7	66-100-01
Q14, 114	MJ15023	96-123-01	SW-1	DP DT SWITCH	88-301-01
Q15, 115	MJ15022	96-122-01	JW1-21	JUMPER	76-000-02
Q16, 116	MJ15023	96-123-01	BR-1	BRIDGE RECT.	21-204-01
Q17, 117	J112	96-112-01			
Q18	MPSA06	96-006-01			
Q19, 20	MPSA55	96-055-01			
			THERMAL SWITCH		88-250-01
			3" 18G RED SLUG/RING		97-153-72
			3" 18G BLK SLUG/RING		97-153-76
			10A FUSE		23-310-01

TEST POINTS	V(AC) RMS	V(DC)
1	.883V	0
2	1.3V	10mv ± 5mv
3	1.7V	200mv ± 50mv
4	0	8V ± .5V
5	0	8V ± .5V
6	40V	1.45V ± 20mv
7	40V	1.45V ± 20mv
8	.2VP-P RIPPLE	58V ± 2V
9	.2VP-P RIPPLE	-58V ± 2V

NOTES:

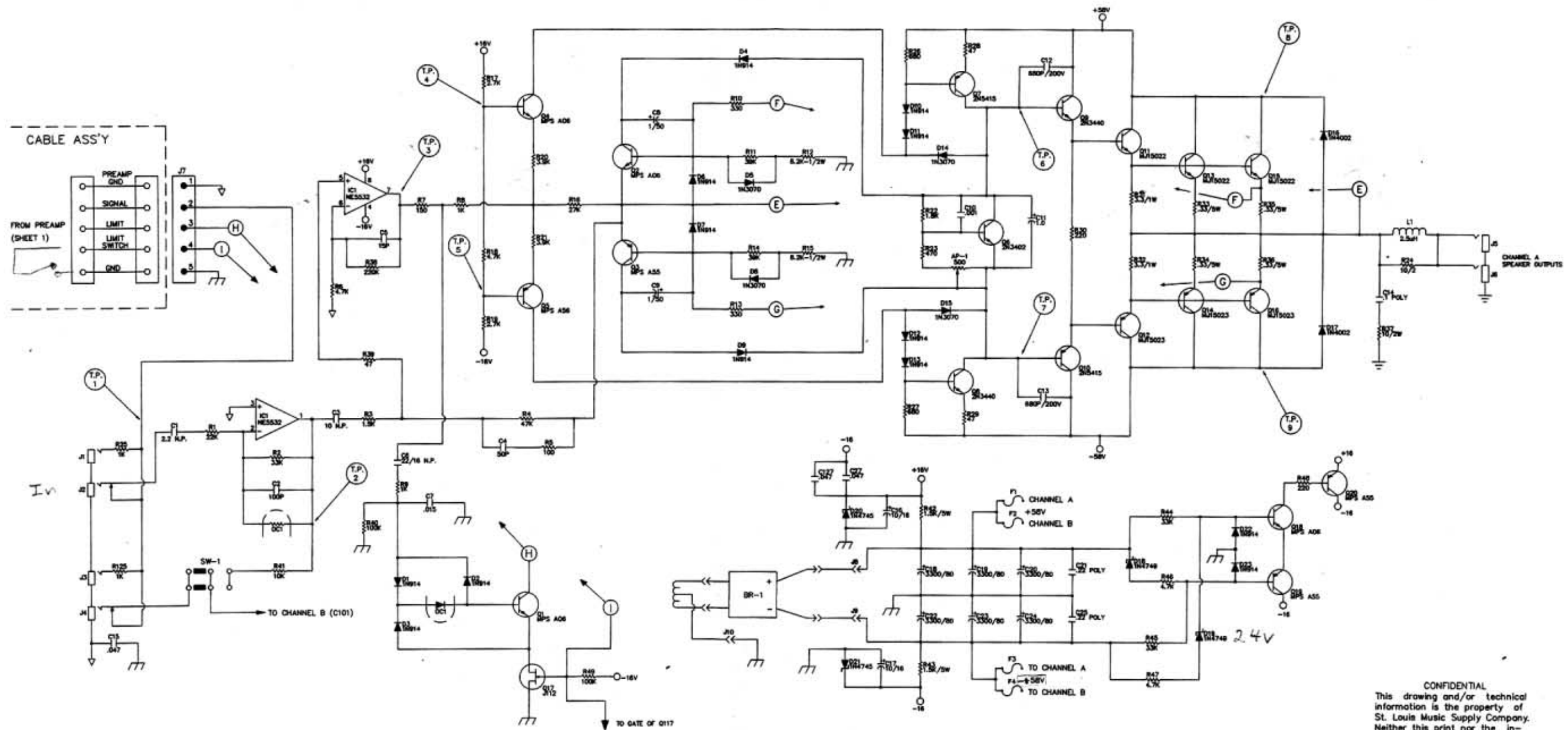
- THIS UNIT CONTAINS HAZARDOUS VOLTAGE. DISCONNECT POWER SUPPLY AND BE SURE POWER SUPPLY IS DISCHARGED BEFORE TOUCHING INTERNAL PARTS.
- UNLESS NOTED, RESISTOR VALUES IN OHMS, 1/4W-5% TOL. CAPACITOR VALUES IN MICROFARADS, 50V-10% TOL.
- VOLTAGES MEASURED WITH 1 MEGOHM OSCILLOSCOPE AND 10 MEGOHM DIGITAL VOLTMETER.
- ADJUST BIAS FOR 300mv ACROSS R31,131 OR R32,132.
- CHANNEL "B" IS IDENTICAL TO CHANNEL "A" EXCEPT THE DESIGNATORS START AT 101. R41 AND R49 DO NOT REPEAT.

A - VALUE CHANGES TO R7, R8, R9, & R16.

A	DAN-3/27/89		
ORIG.	DAN-6/15/88		
VERS.	DRAWN BY	CHECKED BY	APPROVED BY
PAGE #	2 OF 2	DRAWING #	16-411-01
DESCRIPTION: SVT-400T PWR-AMP (SHEM.)			

SLM ELECTRONICS
11880 BORMAN DR.
ST. LOUIS, MO 63146

CONFIDENTIAL
This drawing and/or technical information is the property of St. Louis Music Supply Company. Neither this print nor the information contained thereon is to be used against the interests of St. Louis Music Supply Company.



PARTIAL PARTS LIST

PART	DESCRIP.	PART NO.	PART	DESCRIP.	PART NO.
Q1, 101	MPSAD6	96-006-01	J1-4	1/4" CLIFF	39-116-01
Q2, 102	MPSAD6	96-006-01	J5, 105	1/4" CLIFF	39-116-01
Q3, 103	MPSA55	96-055-01	J6, 106	1/4" CLIFF	39-116-01
Q4, 104	MPSAD6	96-006-01	J7	(5) PIN HDR	17-310-05
Q5, 105	MPSA56	96-056-01	J8-10	.250 FASTON	17-836-01
Q6, 106	2N3402	96-342-01	J11, 12	1/4" CLIFF	39-116-01
Q7, 107	2N5415	96-515-01	J13	MALE XLR	39-308-01
Q8, 108	2N3440	96-340-01	J14-16	1/4" CLIFF	39-116-01
Q9, 109	2N3440	96-340-01	J17	(8) PIN HDR	17-310-08
Q10, 110	2N5415	96-515-01	IC1, 101	NE5532	37-532-01
Q11, 111	NJ15022	96-122-01	AP-1, 101	500 TRIM PDT	71-501-02
Q12, 112	NJ15023	96-122-01	L1, 101	2.5uH COIL	94-142-01
Q13, 113	NJ15022	96-122-01	DC-1, 101	OPTO CPLR 5C7	66-100-01
Q14, 114	NJ15023	96-122-01	SW-1	DP DT SWITCH	88-301-01
Q15, 115	NJ15022	96-122-01	JV1-21	JUMPER	76-000-02
Q16, 116	NJ15023	96-122-01	BR-1	BRIDGE RECT.	21-204-01
Q17, 117	J112	96-112-01			
Q18	MPSAD6	96-006-01			
Q19, 20	MPSA55	96-055-01			
			THERMAL SWITCH	88-250-01	
			3" 18G RED SLUG/RING	97-153-72	
			3" 18G BLK SLUG/RING	97-153-76	
			10A FUSE	23-310-01	

TEST POINTS	V(AC) RMS	V(DC)
1	.883V	0
2	1.3V	10mv ± 5mv
3	1.7V	200mv ± 50mv
4	0	8V ± .5V
5	0	8V ± .5V
6	40V	1.45V ± 20mv
7	40V	1.45V ± 20mv
8	.2VP-P RIPPLE	58V ± 2V
9	.2VP-P RIPPLE	-58V ± 2V


NOTES:

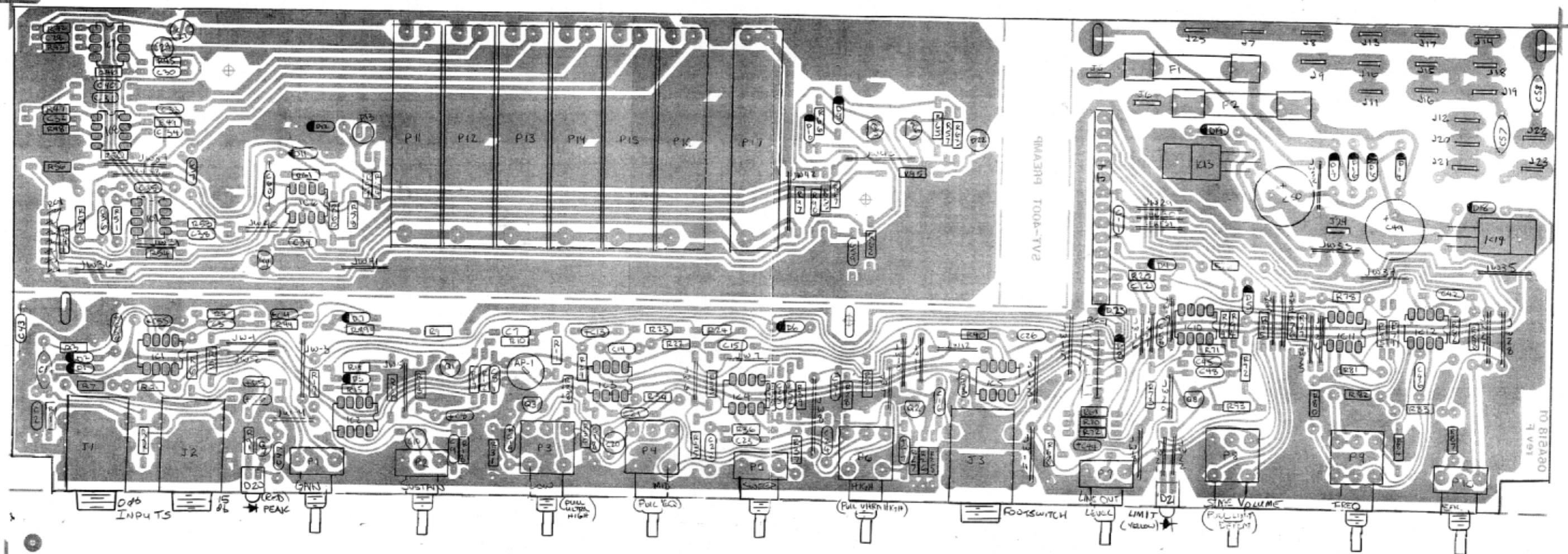
- THIS UNIT CONTAINS HAZARDOUS VOLTAGE. DISCONNECT POWER SUPPLY AND BE SURE POWER SUPPLY IS DISCHARGED BEFORE TOUCHING INTERNAL PARTS.
- UNLESS NOTED, RESISTOR VALUES IN OHMS, 1/4W-5% TOL. CAPACITOR VALUES IN MICROFARADS, 50V-10% TOL.
- VOLTAGES MEASURED WITH 1 MEGOHM OSCILLOSCOPE AND 10 MEGOHM DIGITAL VOLTMETER.
- ADJUST BIAS FOR 300mv ACROSS R31,131 OR R32,132.
- CHANNEL "B" IS IDENTICAL TO CHANNEL "A" EXCEPT THE DESIGNATORS START AT 101. R41 AND R49 DO NOT REPEAT.

CONFIDENTIAL
This drawing and/or technical information is the property of St. Louis Music Supply Company. Neither this print nor the information contained thereon is to be used against the interests of St. Louis Music Supply Company.

ORIG. DAN-6/15/88	TEK	TEK
VERS. DRAWN BY	CHECKED BY	APPROVED BY
PAGE # 2 OF 3	DRAWING # 16-411-01	

DESCRIPTION: SVT-400T PWR-AMP (SHEM.)

 **SLM ELECTRONICS**
11880 BORMAN DR.
ST. LOUIS, MO 63146



ITEM	DESCRIPTION	PART #	ITEM	DESCRIPTION	PART #	ITEM	DESCRIPTION	PART #	ITEM	DESCRIPTION	PART #	ITEM	DESCRIPTION	PART #
R1	10K	76-103-01	R54	120K	76-124-01	C1	.1PDLY	10-104-03	C51	.047	10A473-11	AP-1	10K TRIM POT	71-103-02
R2	47K	76-473-01	R55	100K	76-104-01	C2	100P	10A101-21	C52	.047	10A473-11	F1,2	1/2A BLOW BLOW	23-300-05
R3	220K	76-224-01	R56	4.7K	76-472-01	C3	470P	10A471-11	C53	.047	10A473-11	RC-1	12"BPIN RIBBON	99-131-01
R4	6.8K	76-682-01	R57	100K	76-104-01	C4	10/16	12A106-11	C54	.047	10A473-11	JW1-43	0 OHM JUMPER	76-000-01
R5	680	76-681-01	R58	22K	76-223-01	C5	2.2/50	12A225-51	C55	10/16	12A106-11	IC1-5	J112 FET	96-112-01
R6	22K	76-223-01	R59	1.5K	76-152-01	C6	2.2/50	12A225-51	C56	10/16	12A106-11	IC6	J176 FET	96-176-01
R7	33K	76-333-01	R60	2.7K	76-272-01	C7	.1	10A104-01	C57	.0027 U.L.	10-272-01	IC7	2N5210	96-510-01
R8	47K	76-473-01	R61	100K	76-104-01	C8	2.2/50	12A225-51	C58	.0027 U.L.	10-272-01	IC8	HP6-ASS	96-055-01
R9	1K	76-102-01	R62	33K	76-333-01	C9	50P	10A500-21	C59	.015	10A152-01	IC12	LM4558	37-458-01
R10	1M	76-105-01	R63	33K	76-333-01	C10	2.2 NP	12-225-81	C60	.047	10A473-11	IC13	79H15	37-915-01
R11	1M	76-105-01	R64	4.7K	76-472-01	C11	330P	10A331-11	D1-10	1N914	21A914-01	IC14	79H15	37-915-01
R12	1M	76-105-01	R65	100K	76-104-01	C12	.047	10A473-11	D11	1N746	21A146-01	MISC		
R13	33K	76-333-01	R66	100K	76-104-01	C13	10/16	12A106-11	D13	GREEN LED	21-505-01			
R14	220K	76-224-01	R67	47K	76-473-01	C14	.015	10A153-01	D14-17	1N4002	21A402-01	TMD 4-40 SCREWS	30-440-52	
R15	220K	76-224-01	R68	47K	76-473-01	C15	.015	10A153-01	D20,22	RED LED	21-501-01	TMD 4-40 NUTS	30-442-52	
R16	6.8K	76-682-01	R69	1K	76-102-01	C16	.01	10A103-11	D21	YELLOW LED	21-503-01	TWO 6*RED .250/BLUB WIRE	97-152-16	
R17	100	76-101-01	R70	220	76-221-01	C17	1/50	12A105-51	P1	50KRA	70-503-23	NOTES: 1) UNLESS OTHERWISE SPECIFIED: ALL RESISTORS ARE IN OHMS, 1/4WATT 5% TOLERANCE. ALL CAPACITORS ARE IN MICRO- FARADS AND HAVE A 50 VOLT RATING.		
R18	4.7K	76-472-01	R71	47K	76-473-01	C18	.01	10A103-11	P2	100KRA	70-104-23			
R19	6.8K	76-682-01	R72	47K	76-473-01	C19	1/50	12A105-51	P3,4,6	10K W/SWITCH	70-103-27			
R20	4.7K	76-472-01	R73	47K	76-473-01	C20	3.3 NP	12-335-82	P7	250KL	70-306-01			
R21	220K	76-224-01	R74	220	76-221-01	C21	.0068	10A682-01	P8	10K	70-133-01			
R22	22K	76-223-01	R75	1.5K	76-152-01	C22	.22	10A224-01	P9	100K DUAL RA	70-104-26			
R23	150K	76-154-01	R76	47K	76-473-01	C23	.0033	10A332-01	P10	10K W/DETENT	70-103-24			
R24	1.5K	76-152-01	R77	47K	76-473-01	C24	.1	10A104-01	P11-17	20KL SLIDE W/DET	70-203-51			
R25	22K	76-223-01	R78	47K	76-473-01	C25	220P	10A221-11	J1-3	1/4"CLIFF JACK	39-119-01			
R26	1M	76-105-01	R79	10K	76-103-01	C26	100P	10A101-21	J4	13 PIN HE/DEFER	17-310-13			
R27	47K	76-473-01	R80	3.3K	76-332-01	C27	2.2 NP	12-225-81	J5,6	.187"FASTEN TAB	17-094-01			
R28	10K	76-103-01	R81	10K	76-103-01	C28	.022	10A223-01	J7,8	.250"FASTEN TAB	17-036-01			
R29	22K	76-223-01	R82	10	76-100-01	C29	.1 NP	12-105-81	J9,12					
R30	150K	76-154-01	R83	3.3K	76-332-01	C30	100P	10A101-21	J14,16					
R31	47K	76-473-01	R84	10K	76-103-01	C31	.22	10A224-01	J22,24,25					
R32	10K	76-103-01	R85	10K	76-103-01	C32	.0033	10A332-01	J27,8					
R33	10K	76-103-01	R86	10K	76-103-01	C33	.15	10A154-01	J10,11					
R34	1K	76-102-01	R87	10	76-100-01	C34	.0033	10A332-01	J13,15					
R35	120K	76-124-01	R88	3.3K	76-332-01	C35	.1	10A104-01	J17,18					
R36	1K	76-102-01	R89	10K	76-103-01	C36	.001	10A102-11	J19,20					
R37	27K	76-273-01	R90	47K	76-473-01	C37	.033	10A333-01	J21,23					
R38	470	76-471-01	R91	1.5K	76-152-01	C38	480P	10A481-11	J21,23					
R39	120K	76-124-01	R92	4.7K	76-472-01	C39	100P	10A101-21	J21,23					
R40	10K	76-103-01	R93	4.7K	76-472-01	C40	.1	10A104-01	J21,23					
R41	10K	76-103-01	R94	220	76-221-01	C41	.022	10A223-01	J21,23					
R42	1K	76-102-01	R95	4.7K	76-472-01	C42	.015	10A153-01	J21,23					
R43	120K	76-124-01	R96	1K	76-102-01	C43	.047	10A473-11	J21,23					
R44	4.7K	76-472-01	R97	4.7K	76-472-01	C44	2.2/50	12A225-51	J21,23					
R45	1K	76-104-01				C45	100P	10A101-21	J21,23					
R46	100K	76-104-01				C46	.015	10A153-01	J21,23					
R47	1K	76-102-01				C47	470P	10A471-11	J21,23					
R48	220K	76-224-01				C48	.047	10A473-11	J21,23					
R49	1K	76-102-01				C49	1000/35	12-108-32	J21,23					
R50	120K	76-124-01				C50	1000/35	12-108-32	J21,23					
R51	1K	76-102-01												
R52	120K	76-124-01												
R53	470	76-471-01												

P.C. BOARD ASSY # 07-518-01

TOLERANCES	REVISIONS	DATE	BY
FRACTIONAL	NO.		
DECIMAL	1	10-11-79	DC
ANGULAR	2		
	3		
	4		
	5		

SVT-400T PREAMP PICTORAL

SLM ELECTRONICS ST. LOUIS MO 63105

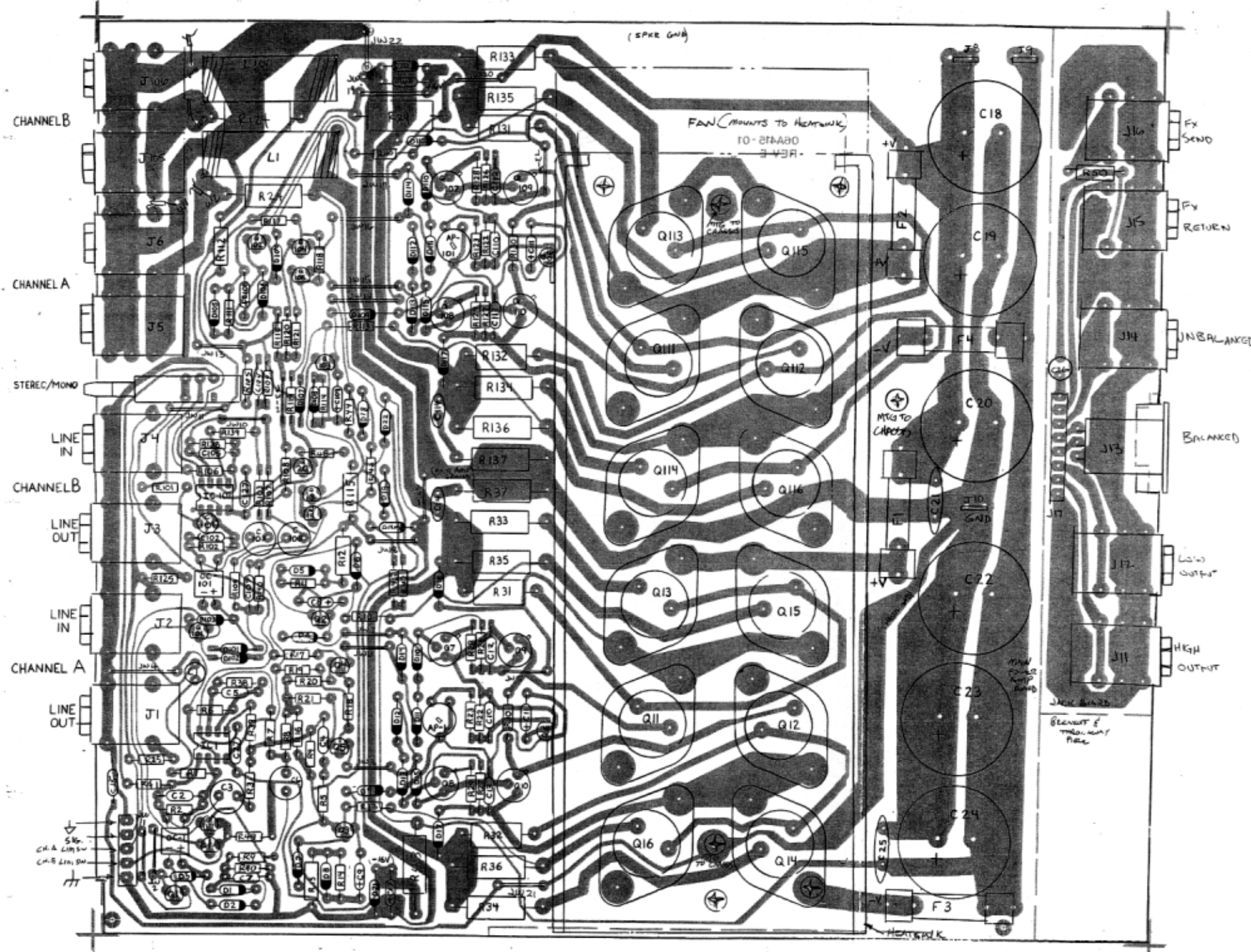
400 FERGUSON AVE. MO. 63133

DRAWN BY: JEM

CHECKED BY: JEM

DATE: 7-15-88

07-518-01



PART	DESCRIPTION	PART #	PART	DESCRIPTION	PART #
R1, 101	22K	76-223-01	Q1, 101	NPSA06	96-006-01
R2, 102	33K	76-333-01	Q2, 102	NPSA06	96-006-01
R3, 103	1.5K	76-152-01	Q3, 103	NPSA55	96-055-01
R4, 104	4.7K	76-473-01	Q4, 104	NPSA06	96-006-01
R5, 105	100	76-101-01	Q5, 105	NPSA55	96-055-01
R6, 106	4.7K	76-472-01	Q6, 106	2N3402	96-342-01
R7, 107	22	76-220-01	Q7, 107	2N5415	96-515-01
R8, 108	1.5M	76-150-01	Q8, 108	2N3440	96-340-01
R9, 109	1.5M	76-150-01	Q9, 109	2N3440	96-340-01
R10, 110	330	76-331-01	Q10, 110	2N5415	96-515-01
R11, 111	39K	76-393-01	Q11, 111	KJ15022	96-122-01
R12, 112	8.2K-1/2W	77-822-01	Q12, 112	KJ15022	96-122-01
R13, 113	330	76-331-01	Q13, 113	KJ15022	96-122-01
R14, 114	39K	76-393-01	Q14, 114	KJ15022	96-122-01
R15, 115	8.2K-1/2W	77-822-01	Q15, 115	KJ15022	96-122-01
R16, 116	20K	76-203-01	Q16, 116	KJ15022	96-122-01
R17, 117	2.7K	76-272-01	Q17, 117	J112	96-112-01
R18, 118	4.7K	76-472-01	Q18	NPSA06	96-006-01
R19, 119	2.7K	76-272-01	Q19	NPSA55	96-055-01
R20, 120	3.9K	76-392-01	Q20	NPSA55	96-055-01
R21, 121	3.9K	76-392-01			
R22, 122	1.0K	76-102-01			
R23, 123	470	76-471-01	IC1, 101	NE5532	37-532-01
R24, 124	10-2W	76-100-01	AP-1, 101	500 TRIM POT	71-401-02
R25, 125	1K	76-102-01	L1, 101	2.5H COIL	94-142-01
R26, 126	680	76-681-01	OC-1, 101	OPTO COUPLER SC7	66-100-01
R27, 127	680	76-681-01	SW-1	DPDT SWITCH	88-301-01
R28, 128	47	76-470-01	JW1-22	JUMPER	76-000-02
R29, 129	47	76-470-01			
R30, 130	220	76-221-01	J1	1/4" CLIFF	39-116-01
R31, 131	3.3-1W	76-331-01	J2	1/4" CLIFF	39-116-01
R32, 132	3.3-1W	76-331-01	J3	1/4" CLIFF	39-116-01
R33, 133	.33-5W	76-330-05	J4	1/4" CLIFF	39-116-01
R34, 134	.53-5W	76-530-05	J5, 105	1/4" CLIFF	39-116-01
R35, 135	.33-5W	76-330-05	J6, 106	1/4" CLIFF	39-116-01
R36, 136	.33-5W	76-330-05			
R37, 137	10-2W	76-100-01			
R38, 138	220F	76-224-01			
R39, 139	47	76-470-01			
R40, 140	100F	76-104-01			
R41	1.5-5W	76-153-01			
R42	1.5-5W	76-153-01			
R43	1.5-5W	76-153-01			
R44	33K	76-331-01			
R45	33K	76-331-01			
R46	4.7K	76-472-01			
R47	4.7K	76-472-01			
R48	220	76-221-01			
R49	100K	76-104-01			
R50	1K	76-102-01			
C1, 101	2.2 NF	12-225-01			
C2, 102	100P	10A101-21			
C3, 103	10 NF	12-106-01			
C4, 104	50P	10A500-21			
C5, 105	15P	10A150-21			
C6, 106	22-16 NF	12-225-02			
C7, 107	.015	10A153-01			
C8, 108	1/50	12A105-51			
C9, 109	1/50	12A105-51			
C10, 110	.001	10A102-01			
C11, 111	1/50	12A105-51			
C12, 112	100P/200V	10A681-21			
C13, 113	50P/200V	10A681-21			
C14, 114	.01 poly-100V	12-104-03			
C15	.047	10A473-01			
C16	10/16	12A106-11			
C17	10/16	12A106-11			
C18	3300/50	12-330-04			
C19	3300/50	12-330-04			
C20	3300/50	12-330-04			
C21	.22 poly-100V	10-224-03			
C22	3300/50	12-330-04			
C23	3300/50	12-330-04			
C24	3300/50	12-330-04			
C25	.22 poly-100V	10-224-03			
C26	2.2 NF	12-225-01			
C27, 127	.047	10A473-01			
D1, 101	1N914	21A914-01			
D2, 102	1N914	21A914-01			
D3, 103	1N914	21A914-01			
D4, 104	1N914	21A914-01			
D5, 105	1N3070	21A370-01			
D6, 106	1N914	21A914-01			
D7, 107	1N914	21A374-01			
D8, 108	1N3070	21A370-01			
D9, 109	1N914	21A914-01			
D10, 110	1N914	21A914-01			
D11, 111	1N914	21A914-01			
D12, 112	1N914	21A914-01			
D13, 113	1N914	21A914-01			
D14, 114	1N3070	21A370-01			
D15, 115	1N3070	21A370-01			
D16, 116	1N4002	21A402-01			
D17, 117	1N4002	21A402-01			
D18	1N4745	21A449-01			
D19	1N4745	21A449-01			
D20	1N4745	21A449-01			
D21	1N4745	21A449-01			
D22	1N914	21A914-01			
D23	1N914	21A914-01			

TOLERANCES	REVISIONS	SYT-400T POWER AMP. P.C. BOARD
DECIMAL	NO. DATE BY	PICTORIAL - ASSY # 07-415-01
FRACTIONAL	1 3/21/88 JCE	SLM ELECTRONICS ST. LOUIS MO. 63133
ANGULAR		SCALE 1/60" MATERIAL
		DATE 5-18-88 DRAWING NO.
		07-415-01

NOTES: 1) UNLESS OTHERWISE SPECIFIED, ALL RESISTORS ARE IN OHMS, 1/4 WATT, 5%. ALL CAPACITORS ARE IN MICROFARADS AND HAVE A 50 VOLT RATING.

RESISTORS R7, R10, R13, R14, R15, R16, R17, R18, R19, R20, R21, R22, R23, R24, R25, R26, R27, R28, R29, R30, R31, R32, R33, R34, R35, R36, R37, R38, R39, R40, R41, R42, R43, R44, R45, R46, R47, R48, R49, R50 HAVE BEEN CHANGED TO PROVIDE BETTER COMPATIBILITY.