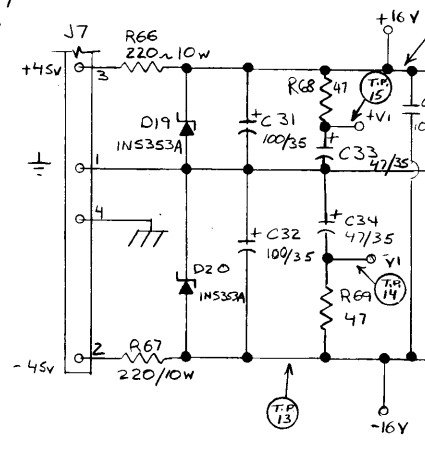
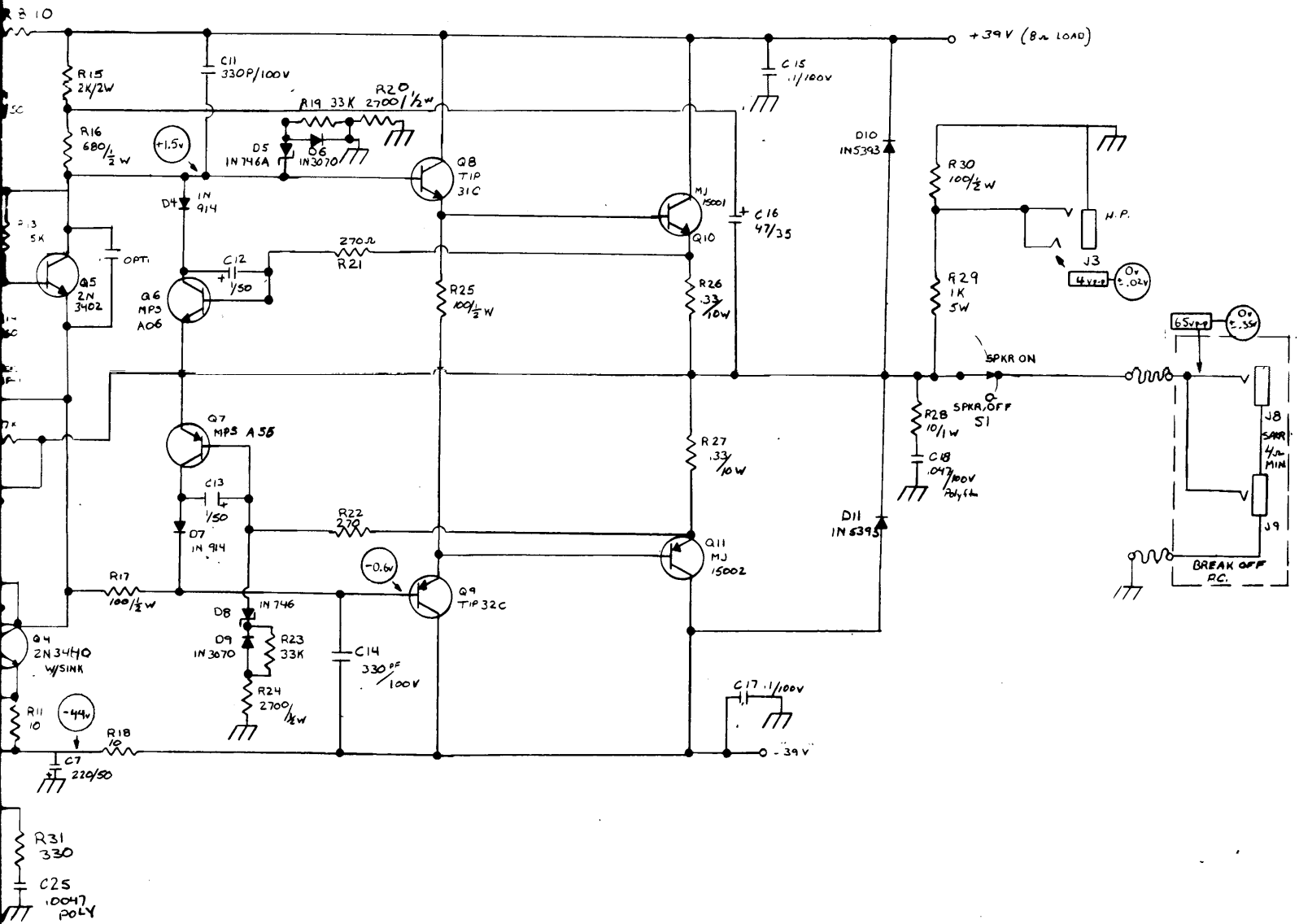


PART	DESCRIPTION	PART #
D1	RED LED	21-501-01
D2	YEL. LED	21-503-01
D3	RED LED	21-501-01
D4-17	IN914	21A914-01
D18	IN754A	21A754-01
D19-20	IN5353B	21-553-01
Q1	J112	96-112-01
Q2	J112	96-112-01
Q3	2N5210	96-510-01
Q4	2N5210	96-510-01
Q5	J112	96-112-01
P1	50 KRA	70-503-23
P2	10KL W/SW	70-103-27
P3	10KL W/SW	70-103-27
P4	10KL W/SW	70-103-27
P5	10KL W/SW	70-103-27
P6	10KA W/SW	70-103-28
P7	SO KL	70-503-14

PART	DESCRIPTION	PART #
AP-1	10K	71-103-02
OC-1	VTL	66-101-01
IC-1-7	RC 4558	37-458-01
J1-4	1/4" JACK	39-116-01
J5	MALE XLR	39-306-01
J6	GROUND LUG	17-500-01
J7	8 PIN	17-310-08
J8	3 PIN	17-310-03
J9	4 PIN	17-310-03
J10	4 PIN	17-310-03
JW 1-15	00HM	17-000-01





PART	DESCRIPTION	PART NO.
C19,20	.01/100V	10A103-11
C21,22	4700/50	12-478-52
D1	IN746A	21A146-01
D2	IN746A	21A146-01
D3	IN4740A	21A440-01
D4	IN914	21A914-01
D5	IN746A	21A146-01
D6	IN3070	21A370-01
D7	IN914	21A914-01
D8	IN746A	21A146-01
D9	IN3070	21A370-01
D10	IN5393	21A593-01
D11	IN5393	21A593-01
Q1	MPSA56	96-056-01
Q2	MPSA56	96-056-01
Q3	MPSA56	96-056-01
Q4	2N3402	96-340-01
Q5	2N3402	96-342-01
Q6	MPSA06	96-006-01
Q7	MPSA56	96-056-01
Q8	TIP31C	96-031-03
Q9	TIP32C	96-032-03
Q10	MJ15001	96-101-01
Q11	MJ15002	96-102-01
J1,2,8,9	1/4" JACK	39-116-01
J3	1/4" JACK	39-117-01
J4	5 PIN HEADER	17-313-05
J5,7	250 TAB	17-836-01
S1	SWITCH	88-202-01
BR-1	BRIDGE REC	21-206-01
TR-1	TRIM POT	71-501-02

INPUT OSCILLOSCOPE  
LOADING INTO

SINE WAVE INPUT,

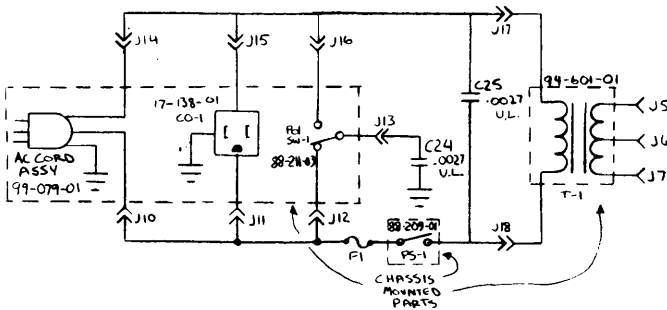
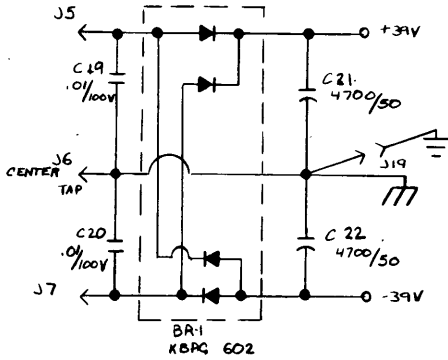
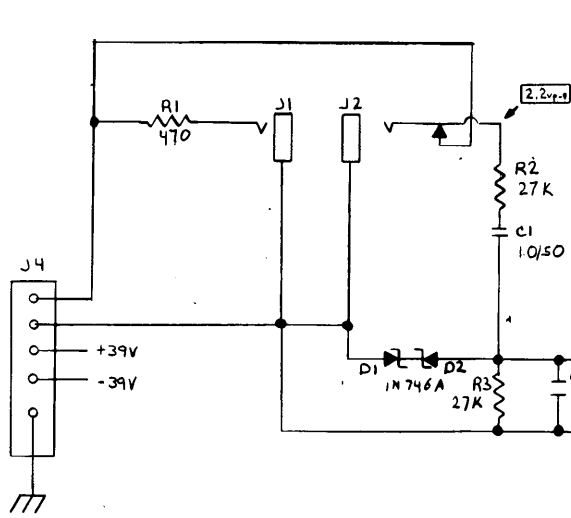
120 VAC LINE

PCB# 06A410-02

A-I DESIGNED

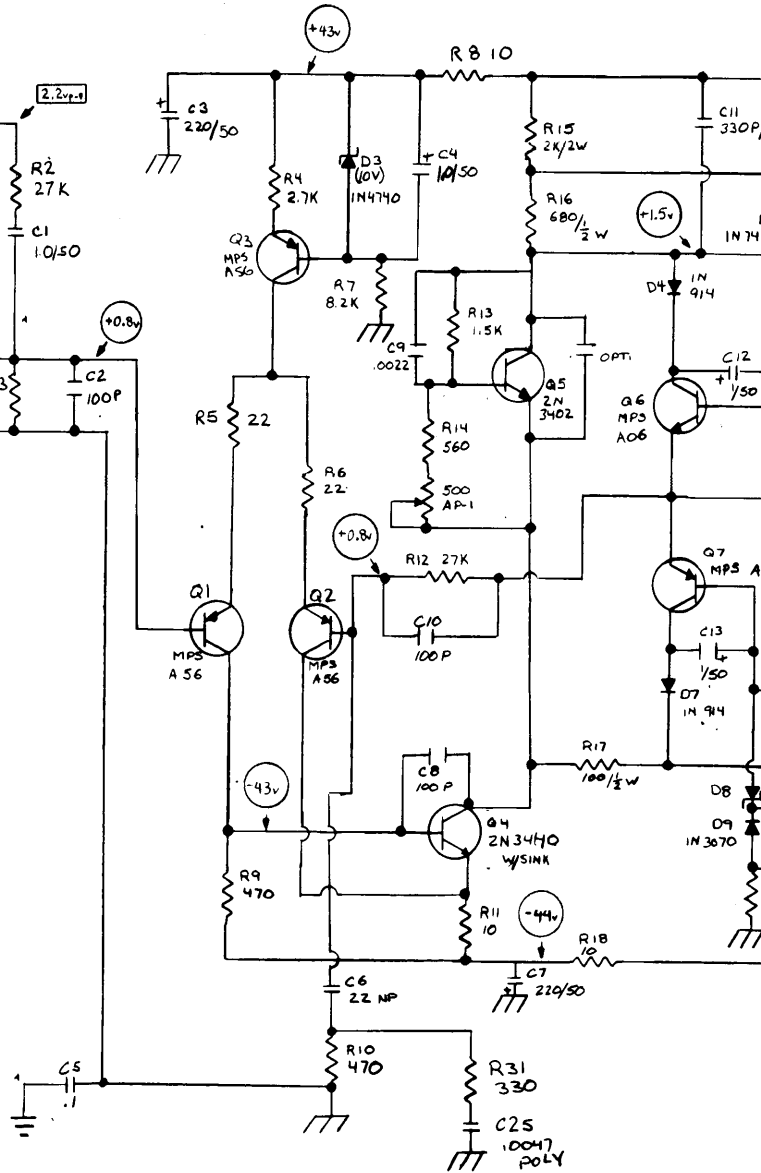
TOLERANCES (EXCEPT AS NOTED)	REVISIONS			AMPEG POWER AMP.	
	NO.	DATE	BY	SVT-ROT/B-151/SVT-100T	SLM ELECTRONICS 1400
DECIMAL	1				FERGUSON ST. LOUIS MO 63133
FRACTIONAL	2				
ANGULAR	3				
	4				
	5				

DRAWN BY: TSC  
 CHECKED BY: RKS 4/1/87  
 DATE: 12-8-86  
 SCALE: 2X  
 MATERIAL: 16-406-01  
 DRAWING NO.: SHT 2062



**AC TERMINATION BREAK-OFF PC BOARD**

PART	DESCRIPTION	PART NO.
C24	.0027 U.L.	10-27-0
C25	.0027 U.L.	10-27-0
CO-1	A.C. OUTLET	17-138-01
J10,11,14,15, 17, 18	.250 TAB	17-836-01
J12,13,16	.187 TAB	17-894-01
PS-1	POWER SWITCH	88-213-01
R1 SW-1	CHASSIS GND SW	88-211-03
T-1	TRANSFORMER	74-601-01
AC CORD	ASSEMBLY	99-079-01
F-1	4A FUSE	25-304-01



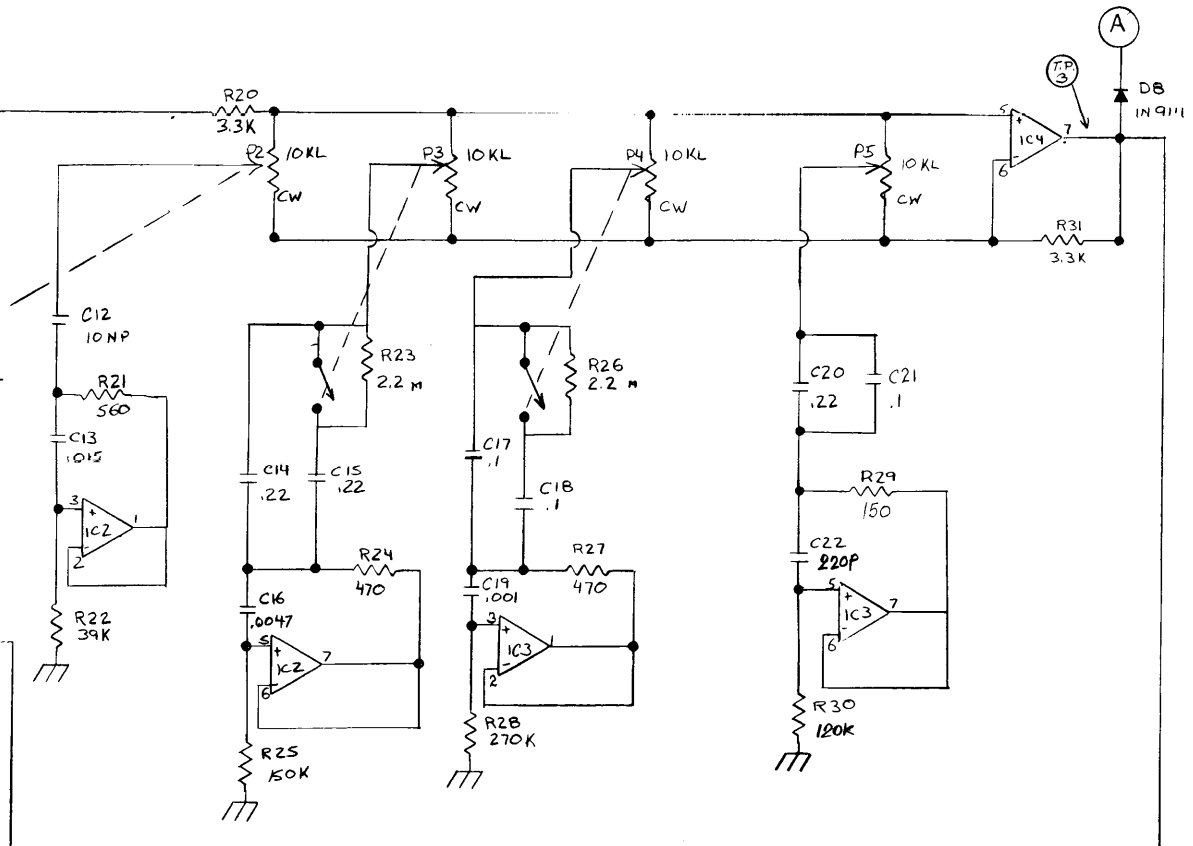
NOTES: 1) EXCEPT AS INDICATED, ALL CAPACITORS IN MFD @ 100 VDC, ALL RESISTORS IN OHMS @ 1/4 WATT 5% TOLERANCE

2) VOLTAGES MEASURED WITH: 1 MEGOHM INPUT OSCILLOSCOPE (AC), 10 MEGOHM INPUT D.V.M. (DC). TAKE LOADING INTO ACCOUNT IF USING OTHER EQUIPMENT.

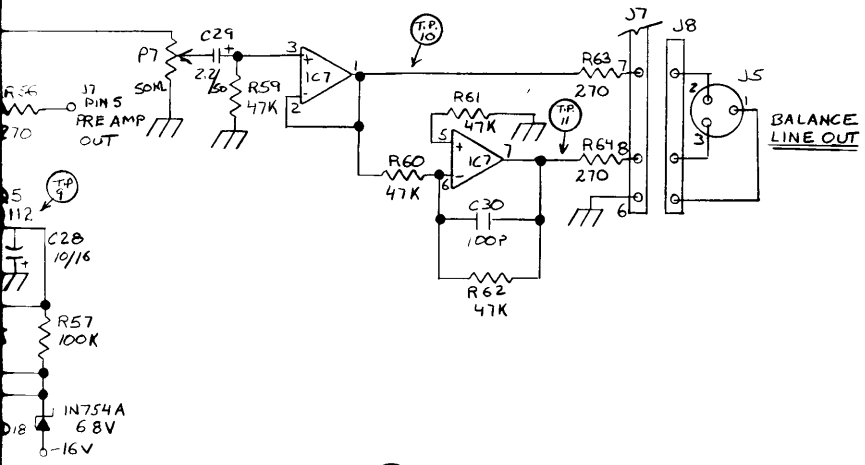
□ AC SIGNAL VOLTAGE: 1 KHZ SINE WAVE INPUT, 4 OHM LOAD.

○ DC VOLTAGE: NO SIGNAL INPUT

3) BIAS VOLTAGE: NO SIGNAL, NO LOAD, @ 120 VAC LINE 3 mV ACROSS R26, R27



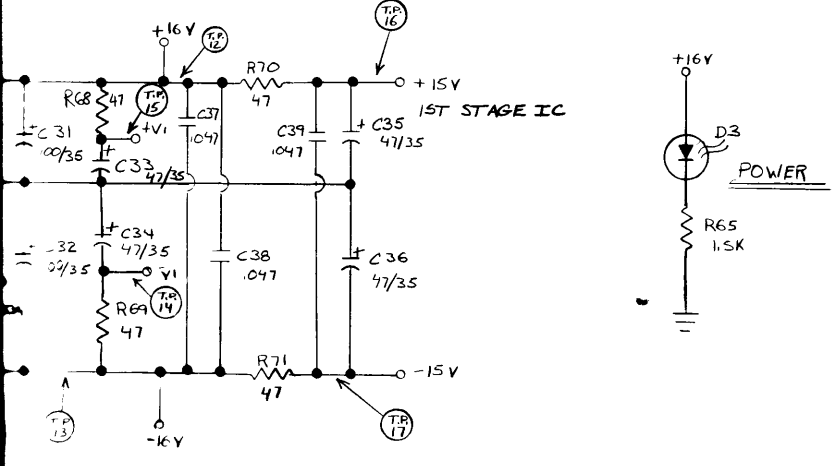
TEST CONDITIONS: TONES @ 5, 10 & 15 KHZ, BALANCED LINE OUT @ 10 W/100 OHM LOAD, 1 KHZ INPUT.



TEST PT.	LIMITER "ON" 2.2 VP-P INP	LIMITER "OFF" .22 VP-P INP
1	16 VP-P	OVDC
2	26 VP-P	OVDC
3	28 VP-P	OVDC
4	1 VP-P	OVDC
5	3 VP-P	OVDC
6	30 VP-P J-L	0 (AVE)
7	30 VP-P J-L	0 (AVE)
8	0	3.5 VDC
9	0	-10 VDC
10	3 VP-P	OVDC
11	3 VP-P	OVDC
12	40 MVP-P RIPPLE	17 VDC
13	40 MVP-P RIPPLE	-17 VDC
14	30 MVP-P RIPPLE	-17 VDC
15	30 MVP-P RIPPLE	17 VDC
16	80 MVP-P RIPPLE	17 VDC
17	80 MVP-P RIPPLE	-17 VDC

NOTE: UNDER THESE CONDITIONS, PEAK INDICATOR IS LIT.

NOTES: 1) ADJUST AP-1 FOR UNITY GAIN FROM T.P.3 TO T.P.5 WITH LIMITER "OFF".



PCB# 06AS11-01  
A-F DESIGNED

TOLERANCES (EXCEPT AS NOTED)	REVISIONS			PREAMP SCHEMATIC	
	NO.	DATE	BY	SVT-70T/BIS-T/SVT-100T	
DECIMAL	1	12-28-87	S.F.	SLM ELECTRONICS	
FRACTIONAL	2			1400 FERGUSON ST. LOUIS MO. 63133	
ANGULAR	3			DRAWN BY J.C.	SCALE
	4			CHECK'D T.E.	DATE 1-5-87
	5			TRACED	APP'D
	6				DRAWING NO. 16-406-01