

NO.	DESCRIPTION	QTY.	REF. DES.
1	5V7760 PWR-AMP BOARD	1	001235P-1C
2	5V7760 PWR-AMP BOARD	1	001235P-1C
3	5V7760 PWR-AMP BOARD	1	001235P-1C
4	5V7760 PWR-AMP BOARD	1	001235P-1C
5	5V7760 PWR-AMP BOARD	1	001235P-1C
6	5V7760 PWR-AMP BOARD	1	001235P-1C
7	5V7760 PWR-AMP BOARD	1	001235P-1C
8	5V7760 PWR-AMP BOARD	1	001235P-1C
9	5V7760 PWR-AMP BOARD	1	001235P-1C
10	5V7760 PWR-AMP BOARD	1	001235P-1C
11	5V7760 PWR-AMP BOARD	1	001235P-1C
12	5V7760 PWR-AMP BOARD	1	001235P-1C
13	5V7760 PWR-AMP BOARD	1	001235P-1C
14	5V7760 PWR-AMP BOARD	1	001235P-1C
15	5V7760 PWR-AMP BOARD	1	001235P-1C
16	5V7760 PWR-AMP BOARD	1	001235P-1C
17	5V7760 PWR-AMP BOARD	1	001235P-1C
18	5V7760 PWR-AMP BOARD	1	001235P-1C
19	5V7760 PWR-AMP BOARD	1	001235P-1C
20	5V7760 PWR-AMP BOARD	1	001235P-1C
21	5V7760 PWR-AMP BOARD	1	001235P-1C
22	5V7760 PWR-AMP BOARD	1	001235P-1C
23	5V7760 PWR-AMP BOARD	1	001235P-1C
24	5V7760 PWR-AMP BOARD	1	001235P-1C
25	5V7760 PWR-AMP BOARD	1	001235P-1C
26	5V7760 PWR-AMP BOARD	1	001235P-1C
27	5V7760 PWR-AMP BOARD	1	001235P-1C
28	5V7760 PWR-AMP BOARD	1	001235P-1C
29	5V7760 PWR-AMP BOARD	1	001235P-1C
30	5V7760 PWR-AMP BOARD	1	001235P-1C
31	5V7760 PWR-AMP BOARD	1	001235P-1C
32	5V7760 PWR-AMP BOARD	1	001235P-1C
33	5V7760 PWR-AMP BOARD	1	001235P-1C
34	5V7760 PWR-AMP BOARD	1	001235P-1C
35	5V7760 PWR-AMP BOARD	1	001235P-1C
36	5V7760 PWR-AMP BOARD	1	001235P-1C
37	5V7760 PWR-AMP BOARD	1	001235P-1C
38	5V7760 PWR-AMP BOARD	1	001235P-1C
39	5V7760 PWR-AMP BOARD	1	001235P-1C
40	5V7760 PWR-AMP BOARD	1	001235P-1C
41	5V7760 PWR-AMP BOARD	1	001235P-1C
42	5V7760 PWR-AMP BOARD	1	001235P-1C
43	5V7760 PWR-AMP BOARD	1	001235P-1C
44	5V7760 PWR-AMP BOARD	1	001235P-1C
45	5V7760 PWR-AMP BOARD	1	001235P-1C
46	5V7760 PWR-AMP BOARD	1	001235P-1C
47	5V7760 PWR-AMP BOARD	1	001235P-1C
48	5V7760 PWR-AMP BOARD	1	001235P-1C

TO OUTPUT BOARD J5
TO MAIN BOARD J13

LEGEND:

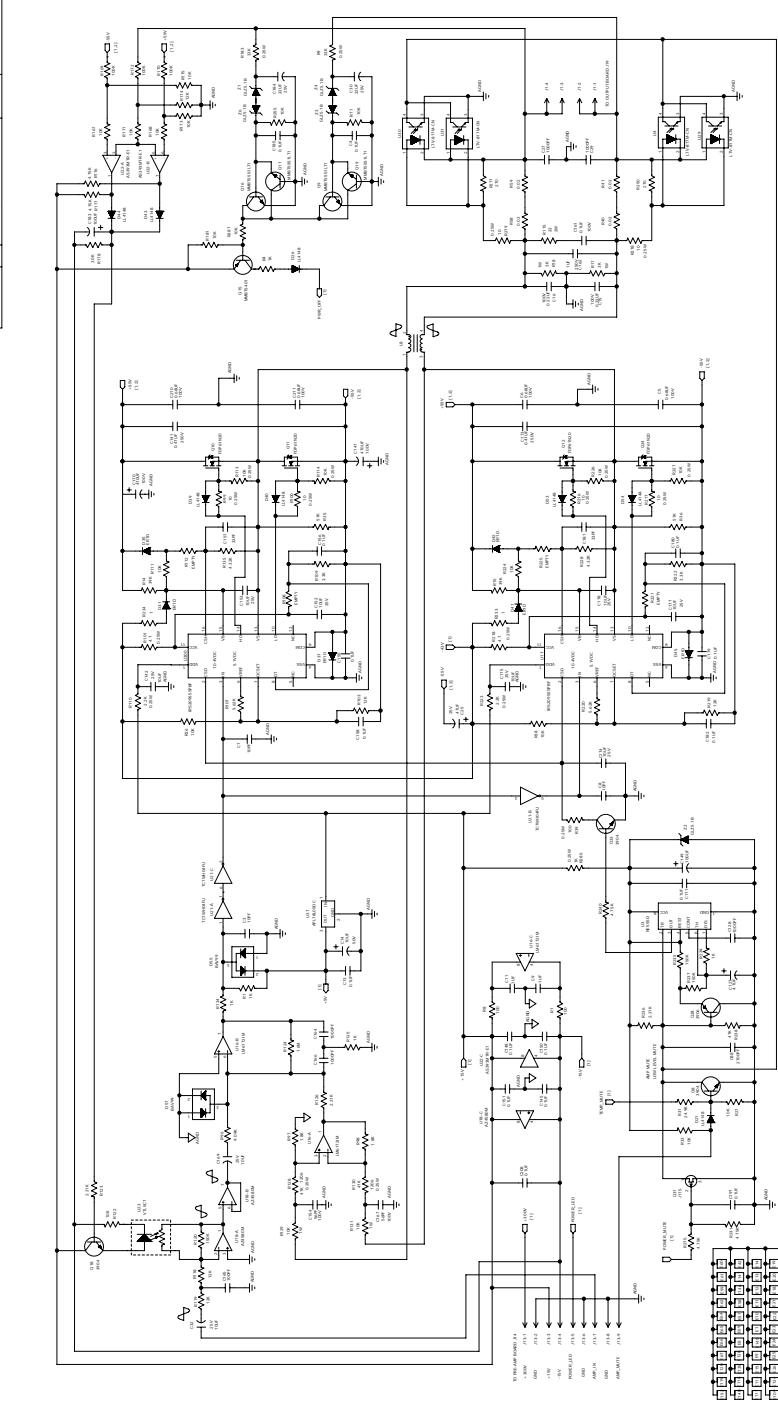
□ UNTESTED
 ▼ TESTED
 ▲ TESTED

TEST POINTS:

1	2	3	4	5	6	7	8	9	10
11	12	13	14	15	16	17	18	19	20
21	22	23	24	25	26	27	28	29	30
31	32	33	34	35	36	37	38	39	40
41	42	43	44	45	46	47	48	49	50
51	52	53	54	55	56	57	58	59	60
61	62	63	64	65	66	67	68	69	70
71	72	73	74	75	76	77	78	79	80
81	82	83	84	85	86	87	88	89	90
91	92	93	94	95	96	97	98	99	100

LSI TECHNOLOGIES INC. WOODVILLE, WA, USA
 5V7760 PWR-AMP BOARD
 001235P-1C

REV. NO.	DESCRIPTION	DATE
001	INITIAL RELEASE	11/11/00
002	REVISION TO BOARD	11/11/00
003	REVISION TO BOARD	11/11/00
004	REVISION TO BOARD	11/11/00
005	REVISION TO BOARD	11/11/00
006	REVISION TO BOARD	11/11/00
007	REVISION TO BOARD	11/11/00
008	REVISION TO BOARD	11/11/00
009	REVISION TO BOARD	11/11/00
010	REVISION TO BOARD	11/11/00



REV. NO.	DESCRIPTION	DATE
001	INITIAL RELEASE	11/11/00
002	REVISION TO BOARD	11/11/00
003	REVISION TO BOARD	11/11/00
004	REVISION TO BOARD	11/11/00
005	REVISION TO BOARD	11/11/00
006	REVISION TO BOARD	11/11/00
007	REVISION TO BOARD	11/11/00
008	REVISION TO BOARD	11/11/00
009	REVISION TO BOARD	11/11/00
010	REVISION TO BOARD	11/11/00

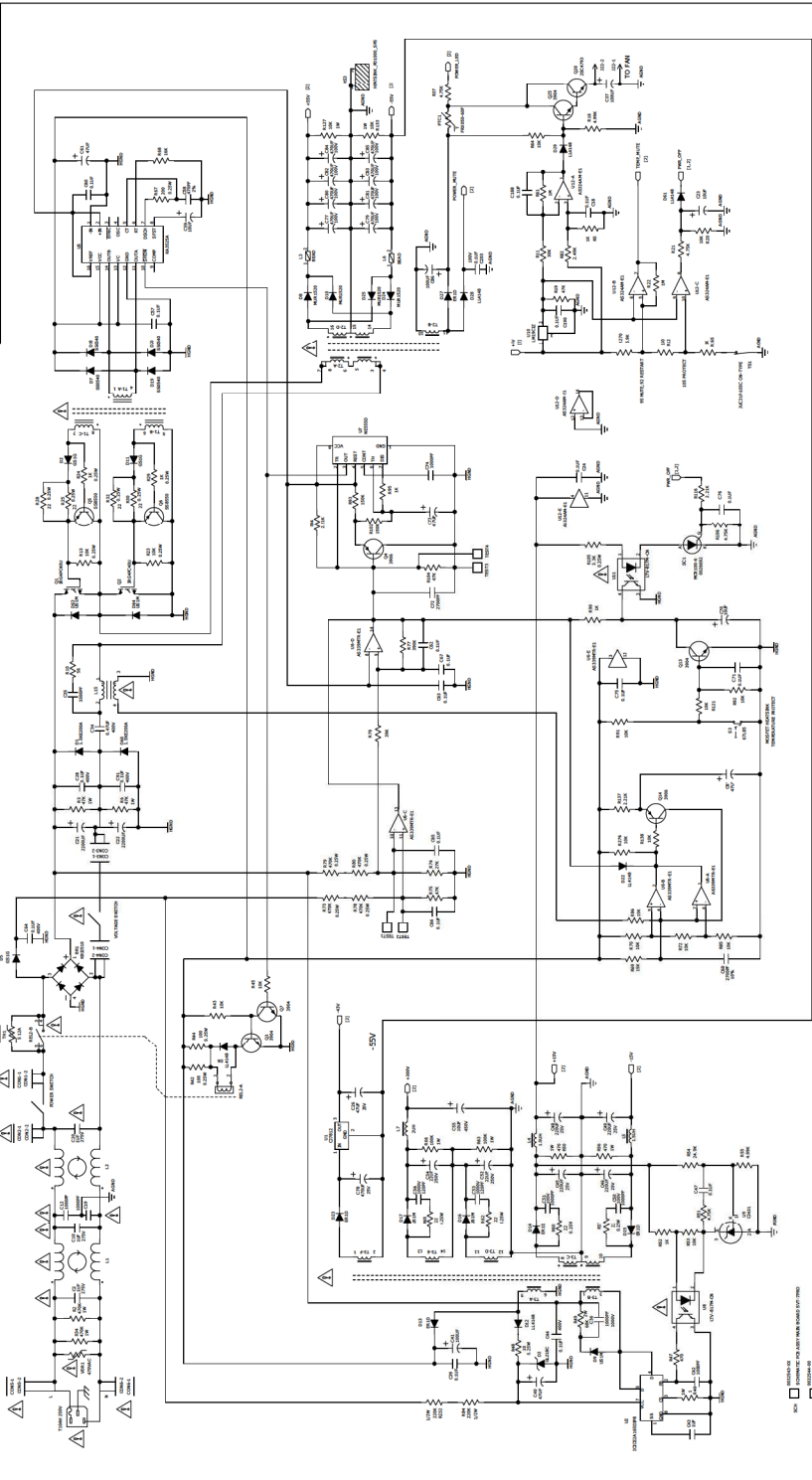
LOUD
TECHNOLOGIES INC. QUINCYVILLE MA USA

**SVT-7PRO MAIN BOARD,
CLASS. D AMP SECTION**

REV. NO. 001
DATE 11/11/00
DESIGNER JAK
DRAWN JAK

PAGE 1 OF 1

REV	DESCRIPTION	DATE	BY
001	INITIAL RELEASE	11/15/2000	...
002
003
004
005
006
007
008
009
010

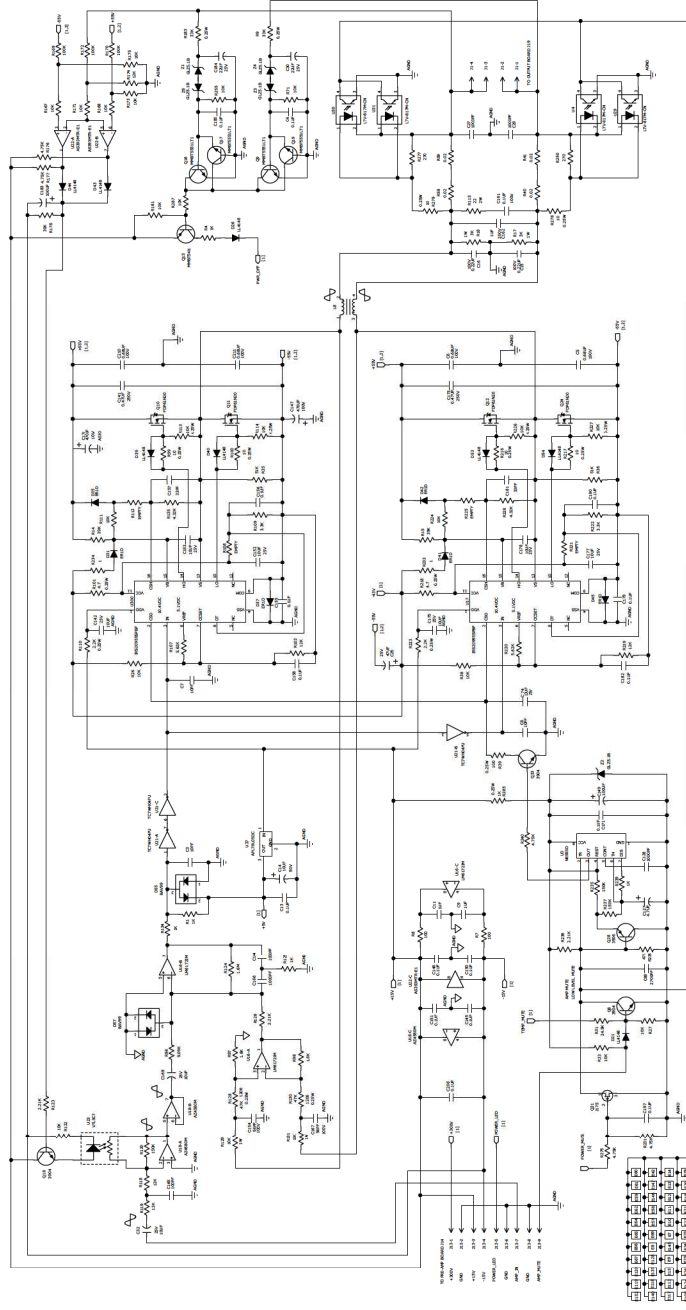


REV	DESCRIPTION	DATE	BY
001	INITIAL RELEASE	11/15/2000	...
002
003
004
005
006
007
008
009
010

SVT-7PRO MAIN BOARD
POWER SUPPLY SECTION

TECHNOLOGIES INC. WOODINVILLE WA, USA
 PART NO. 0032543-KX
 REV. 1.0

REV	DATE	DESCRIPTION
1	11/15/00	INITIAL RELEASE
2	01/11/01	REVISIONS
3	01/11/01	REVISIONS
4	01/11/01	REVISIONS
5	01/11/01	REVISIONS
6	01/11/01	REVISIONS
7	01/11/01	REVISIONS
8	01/11/01	REVISIONS
9	01/11/01	REVISIONS
10	01/11/01	REVISIONS



REV	DATE	DESCRIPTION
1	11/15/00	INITIAL RELEASE
2	01/11/01	REVISIONS
3	01/11/01	REVISIONS
4	01/11/01	REVISIONS
5	01/11/01	REVISIONS
6	01/11/01	REVISIONS
7	01/11/01	REVISIONS
8	01/11/01	REVISIONS
9	01/11/01	REVISIONS
10	01/11/01	REVISIONS

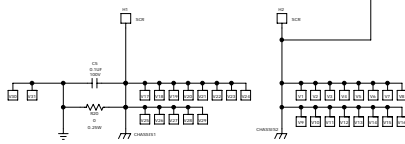
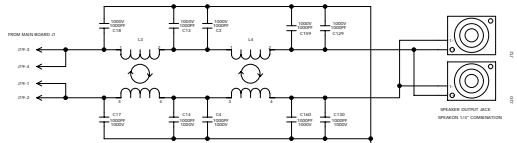
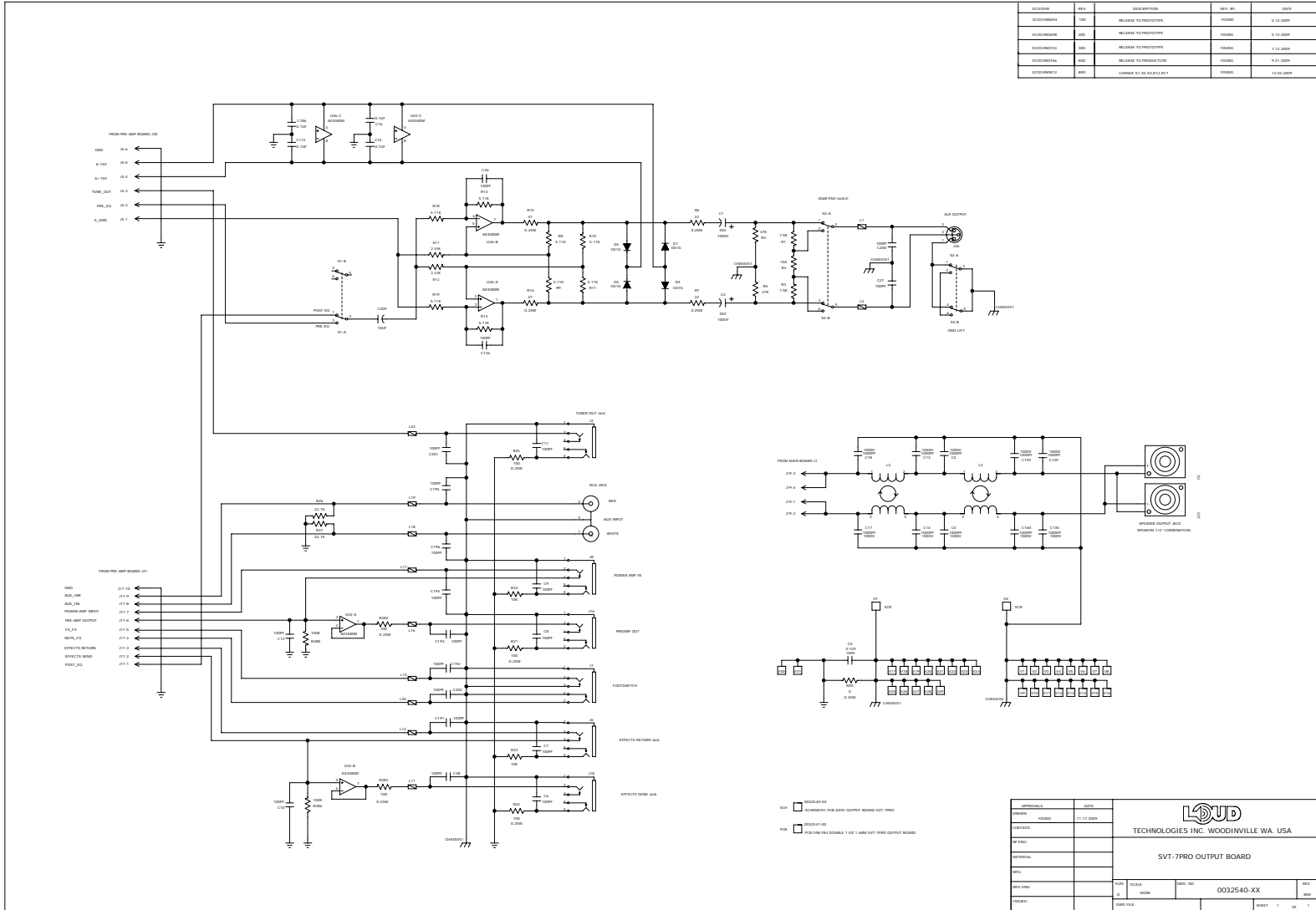
LOUD
TECHNOLOGIES INC. WINTERSVILLE PA USA

**SVT-7PRO MAIN BOARD,
CLASS D AMP SECTION**

PART NO. 0032543-XX

PAGE 1 OF 1

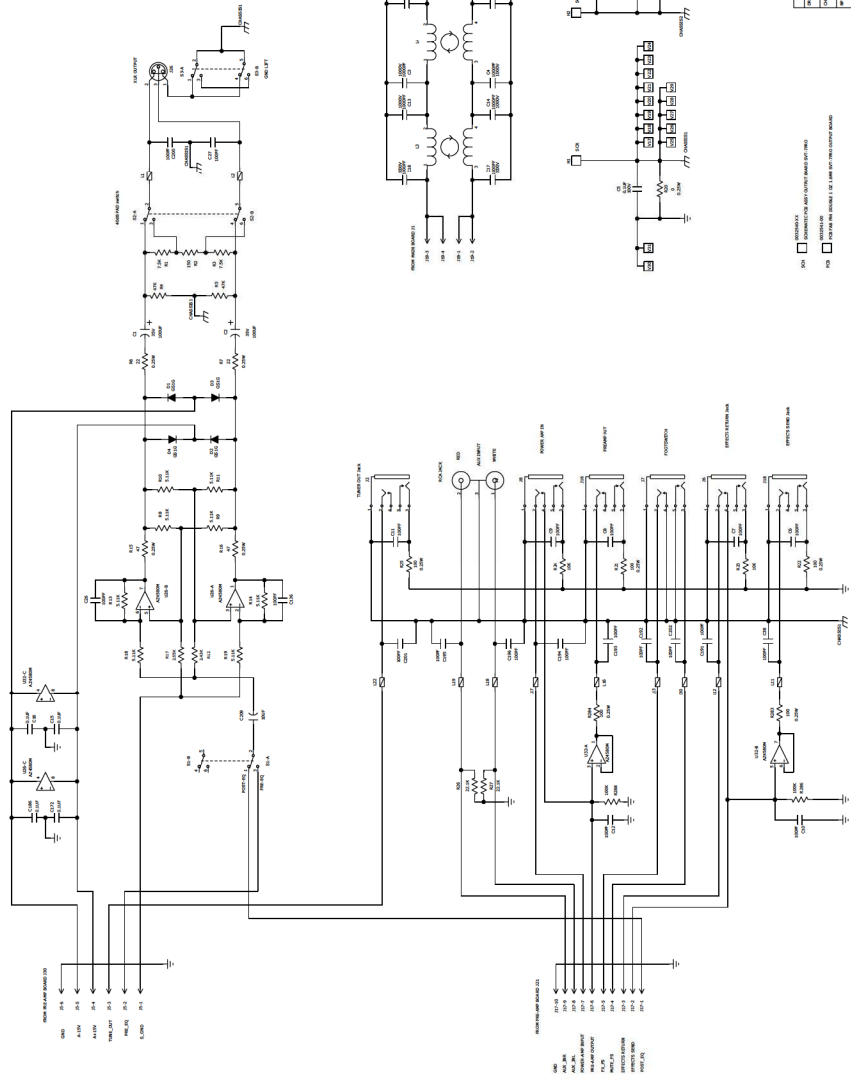
REVISION	REV	DESCRIPTION	REV BY	DATE
RECOMMEND	100	RELEASE TO PROTOTYPE	YOUNG	6.19.2009
RECOMMEND	101	RELEASE TO PROTOTYPE	YOUNG	6.19.2009
RECOMMEND	102	RELEASE TO PROTOTYPE	YOUNG	7.12.2009
RECOMMEND	103	RELEASE TO PRODUCTION	YOUNG	7.21.2009
RECOMMEND	104	CHANGE 11.52.30.12.01.1	YOUNG	12.03.2009



- BOX DESIGNER'S USE ONLY
- PCB PICK AND PLACE DOUBLE 1 OF 1 4MM SVT-7PRO OUTPUT BOARD

APPROVALS		DATE	LOUD	
DESIGNED	DESIGNED	11.17.2009		
CHECKED				
BY ENG				
MANUFACT				
<p style="text-align: center;">SVT-7PRO OUTPUT BOARD</p>				
REV. ENG.	DATE	REV. NO.	REV. NO.	REV.
YOUNG	11.17.2009	0032540-XX	100	100
SHEET NO.		SHEET 1 OF 1		

REV. NO.	DATE	DESCRIPTION
0001	11.12.2008	ISSUED FOR PRODUCTION
0002	11.12.2008	ISSUED FOR PRODUCTION
0003	11.12.2008	ISSUED FOR PRODUCTION
0004	11.12.2008	ISSUED FOR PRODUCTION
0005	11.12.2008	ISSUED FOR PRODUCTION
0006	11.12.2008	ISSUED FOR PRODUCTION
0007	11.12.2008	ISSUED FOR PRODUCTION
0008	11.12.2008	ISSUED FOR PRODUCTION
0009	11.12.2008	ISSUED FOR PRODUCTION
0010	11.12.2008	ISSUED FOR PRODUCTION



TEST POINTS
 COMPONENTS AND CAPS FROM OTHER BOARDS
 OTHER BOARD COMPONENTS (SEE PARTS LIST)

REV. NO.	DATE	DESCRIPTION
0001	11.12.2008	ISSUED FOR PRODUCTION
0002	11.12.2008	ISSUED FOR PRODUCTION
0003	11.12.2008	ISSUED FOR PRODUCTION
0004	11.12.2008	ISSUED FOR PRODUCTION
0005	11.12.2008	ISSUED FOR PRODUCTION
0006	11.12.2008	ISSUED FOR PRODUCTION
0007	11.12.2008	ISSUED FOR PRODUCTION
0008	11.12.2008	ISSUED FOR PRODUCTION
0009	11.12.2008	ISSUED FOR PRODUCTION
0010	11.12.2008	ISSUED FOR PRODUCTION

REV. NO.	DATE	DESCRIPTION
0001	11.12.2008	ISSUED FOR PRODUCTION
0002	11.12.2008	ISSUED FOR PRODUCTION
0003	11.12.2008	ISSUED FOR PRODUCTION
0004	11.12.2008	ISSUED FOR PRODUCTION
0005	11.12.2008	ISSUED FOR PRODUCTION
0006	11.12.2008	ISSUED FOR PRODUCTION
0007	11.12.2008	ISSUED FOR PRODUCTION
0008	11.12.2008	ISSUED FOR PRODUCTION
0009	11.12.2008	ISSUED FOR PRODUCTION
0010	11.12.2008	ISSUED FOR PRODUCTION

REV. NO.	DATE	DESCRIPTION
0001	11.12.2008	ISSUED FOR PRODUCTION
0002	11.12.2008	ISSUED FOR PRODUCTION
0003	11.12.2008	ISSUED FOR PRODUCTION
0004	11.12.2008	ISSUED FOR PRODUCTION
0005	11.12.2008	ISSUED FOR PRODUCTION
0006	11.12.2008	ISSUED FOR PRODUCTION
0007	11.12.2008	ISSUED FOR PRODUCTION
0008	11.12.2008	ISSUED FOR PRODUCTION
0009	11.12.2008	ISSUED FOR PRODUCTION
0010	11.12.2008	ISSUED FOR PRODUCTION

REV. NO.	DATE	DESCRIPTION
0001	11.12.2008	ISSUED FOR PRODUCTION
0002	11.12.2008	ISSUED FOR PRODUCTION
0003	11.12.2008	ISSUED FOR PRODUCTION
0004	11.12.2008	ISSUED FOR PRODUCTION
0005	11.12.2008	ISSUED FOR PRODUCTION
0006	11.12.2008	ISSUED FOR PRODUCTION
0007	11.12.2008	ISSUED FOR PRODUCTION
0008	11.12.2008	ISSUED FOR PRODUCTION
0009	11.12.2008	ISSUED FOR PRODUCTION
0010	11.12.2008	ISSUED FOR PRODUCTION

REV. NO.	DATE	DESCRIPTION
0001	11.12.2008	ISSUED FOR PRODUCTION
0002	11.12.2008	ISSUED FOR PRODUCTION
0003	11.12.2008	ISSUED FOR PRODUCTION
0004	11.12.2008	ISSUED FOR PRODUCTION
0005	11.12.2008	ISSUED FOR PRODUCTION
0006	11.12.2008	ISSUED FOR PRODUCTION
0007	11.12.2008	ISSUED FOR PRODUCTION
0008	11.12.2008	ISSUED FOR PRODUCTION
0009	11.12.2008	ISSUED FOR PRODUCTION
0010	11.12.2008	ISSUED FOR PRODUCTION

REV. NO.	DATE	DESCRIPTION
0001	11.12.2008	ISSUED FOR PRODUCTION
0002	11.12.2008	ISSUED FOR PRODUCTION
0003	11.12.2008	ISSUED FOR PRODUCTION
0004	11.12.2008	ISSUED FOR PRODUCTION
0005	11.12.2008	ISSUED FOR PRODUCTION
0006	11.12.2008	ISSUED FOR PRODUCTION
0007	11.12.2008	ISSUED FOR PRODUCTION
0008	11.12.2008	ISSUED FOR PRODUCTION
0009	11.12.2008	ISSUED FOR PRODUCTION
0010	11.12.2008	ISSUED FOR PRODUCTION

REV. NO.	DATE	DESCRIPTION
0001	11.12.2008	ISSUED FOR PRODUCTION
0002	11.12.2008	ISSUED FOR PRODUCTION
0003	11.12.2008	ISSUED FOR PRODUCTION
0004	11.12.2008	ISSUED FOR PRODUCTION
0005	11.12.2008	ISSUED FOR PRODUCTION
0006	11.12.2008	ISSUED FOR PRODUCTION
0007	11.12.2008	ISSUED FOR PRODUCTION
0008	11.12.2008	ISSUED FOR PRODUCTION
0009	11.12.2008	ISSUED FOR PRODUCTION
0010	11.12.2008	ISSUED FOR PRODUCTION

REV. NO.	DATE	DESCRIPTION
0001	11.12.2008	ISSUED FOR PRODUCTION
0002	11.12.2008	ISSUED FOR PRODUCTION
0003	11.12.2008	ISSUED FOR PRODUCTION
0004	11.12.2008	ISSUED FOR PRODUCTION
0005	11.12.2008	ISSUED FOR PRODUCTION
0006	11.12.2008	ISSUED FOR PRODUCTION
0007	11.12.2008	ISSUED FOR PRODUCTION
0008	11.12.2008	ISSUED FOR PRODUCTION
0009	11.12.2008	ISSUED FOR PRODUCTION
0010	11.12.2008	ISSUED FOR PRODUCTION