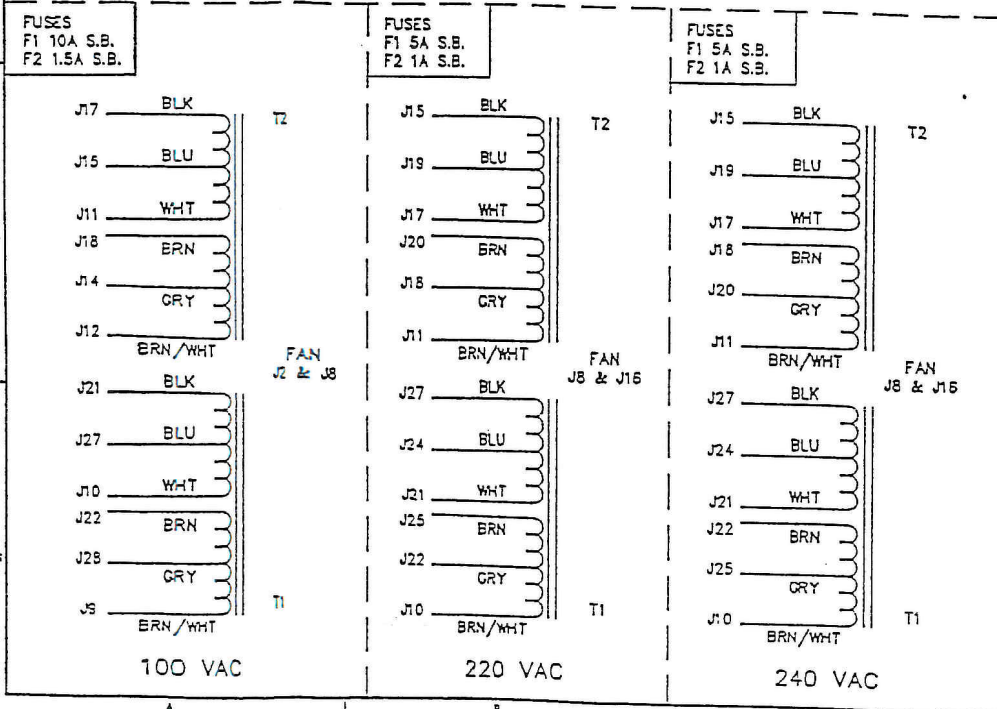



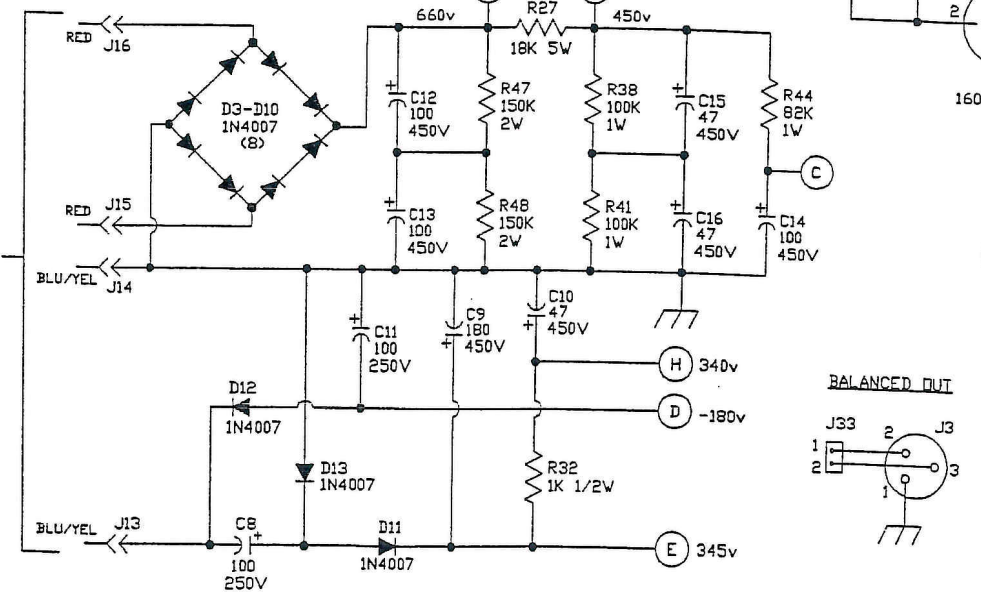
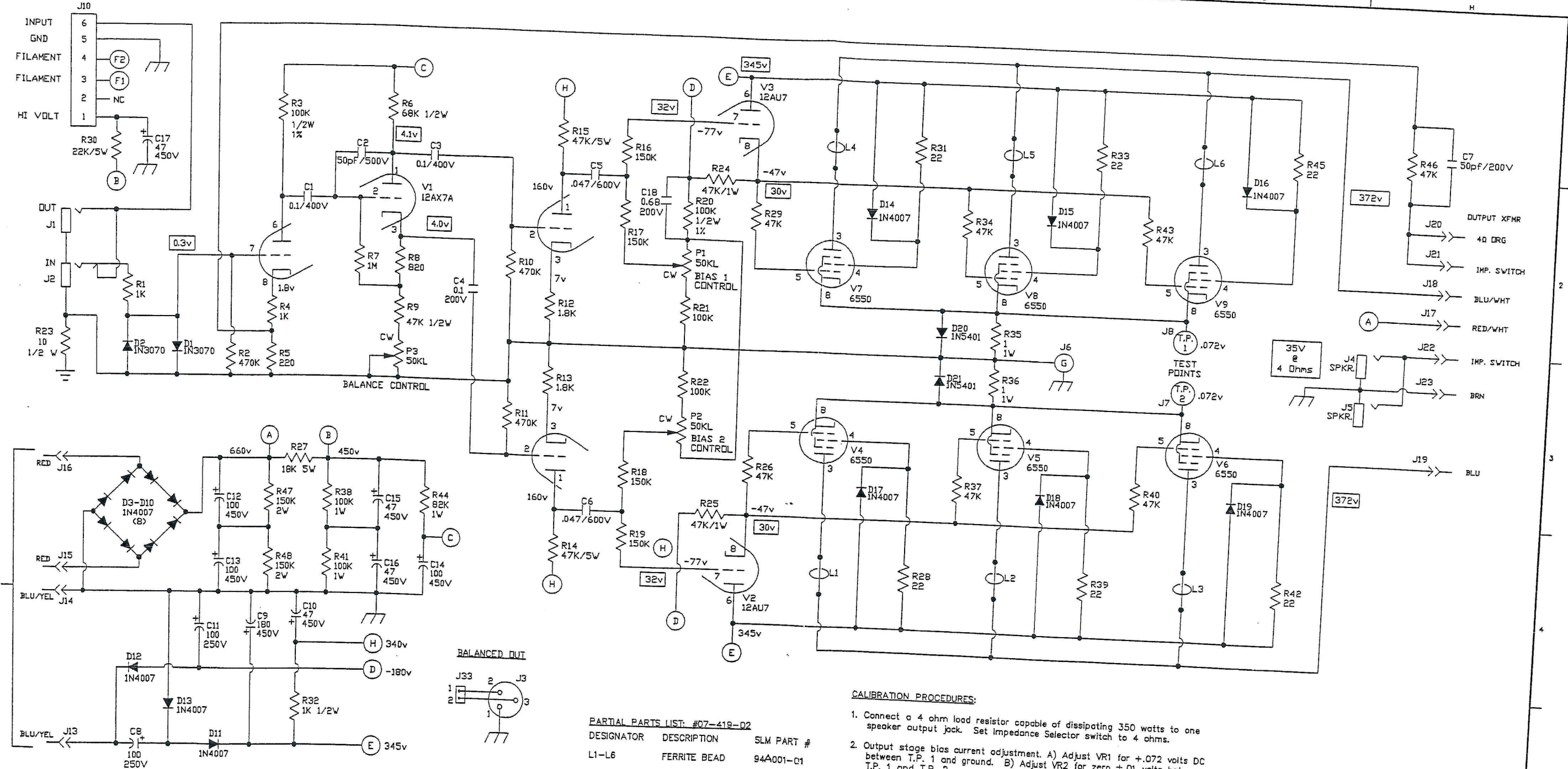
CAUTION:
 THIS SCHEMATIC IS PROVIDED FOR USE BY QUALIFIED PERSONNEL TO AVOID RISK OF ELECTRIC SHOCK, REFER SERVICING TO QUALIFIED SERVICE PERSONNEL. DO NOT PERFORM ANY SERVICING BEYOND THAT EXPLAINED IN THE OPERATING INSTRUCTIONS.

CONNECTIONS TO ASSY. # 07-319-02 : 120 VAC SHOWN ABOVE



- NOTES**
- 1) CAUTION: SHOCK HAZARD!! THIS UNIT CONTAINS HAZARDOUS VOLTAGE. DISCONNECT POWER AND BE SURE POWER SUPPLY IS DISCHARGED BEFORE TOUCHING INTERNAL PARTS.
 - 2) UNLESS NOTED, RESISTOR VALUES IN OHMS, 1/4W-5% TOL. CAPACITOR VALUES IN MICROFARADS, 50V-10% TOL.
 - 3) VOLTAGES ARE MEASURED WITH 1 MEGOHM OSCILLOSCOPE AND 10 MEGOHM DIGITAL VOLTMETER.
 - 4) CIRCUIT GROUND ∇ SWITCH GROUND ∇ CHASSIS GROUND ∇

DESIGNED BY: NCA	DATE: 07/29/92	 TERRY BOYKIN DEL FT. LOUDER, FLORIDA 8744
CHECKED BY: GM	DATE: 07/30/92	
APPROVED BY: GM	DATE: 07/29/92	PROJECT NAME: SVT-II BASS AMP
ORIGINAL ISSUED: 07/29/92		DRAWING NAME: WIRING DIAGRAM
PLOT DATE: 07/30/92		DRAWING NO.: 16-414-03
PLOT TIME: 14:48:34		SCALE: NONE
FILE NAME: 1641403		SHEET: 1 of 1



PARTIAL PARTS LIST: #07-419-02

DESIGNATOR	DESCRIPTION	SLM PART #
L1-L6	FERRITE BEAD	94A001-01
V1	12AX7	97-927-01
V2,V3	12AU7	95-126-01
V4-V9	6550	97-950-01
P1-P3	50KL	70-503-20
P4	100 WW	70-101-21
J1,J2	1/4" JACK	39-116-01
J3	XLR MALE	39-308-01
J4,J5	1/4" JACK	39-116-01
J6-J8	PIN JACK	39-403-01
J9	2 PIN HDR	17-310-02
J10	6 PIN HDR	17-311-06
J11-J23	.250 TAB	17-836-01
J24-J26	9 PIN SOCKET	17-450-09
J27-J32	8 PIN SOCKET	17-450-08
J33	2 PIN HDR	17-311-02
(3)	HEX STANDOFF	85-065-01
(12)	HEX STANDOFF	85-133-01
(15)	SCREW	30-638-53
(1)	PCB	06A419-32
(1)	PLATE	51-406-71
(12)	SCREW	30-637-01

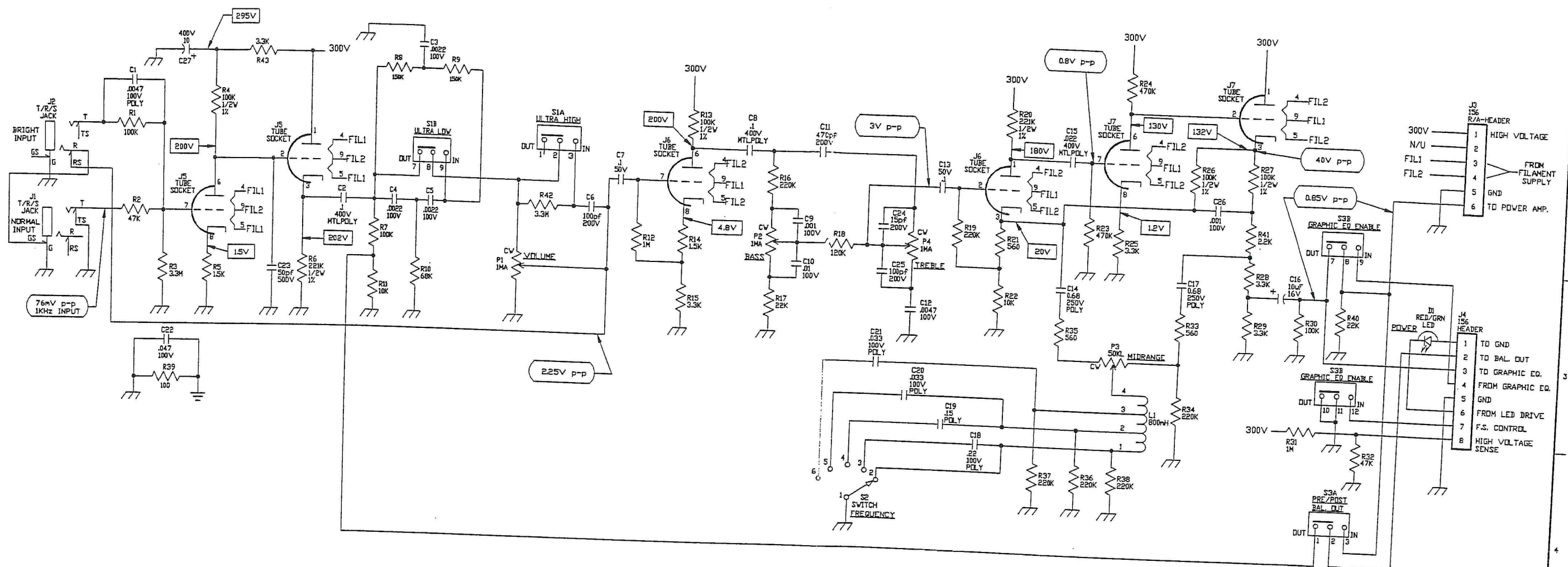
- CALIBRATION PROCEDURES:**
1. Connect a 4 ohm load resistor capable of dissipating 350 watts to one speaker output jack. Set Impedance Selector switch to 4 ohms.
 2. Output stage bias current adjustment. A) Adjust VR1 for +.072 volts DC between T.P. 1 and ground. B) Adjust VR2 for zero \pm .01 volts between T.P. 1 and T.P. 2.
 3. Phase inverter balance control adjustment. A) Harmonic distortion meter method: Drive amplifier to 25 volts RMS out at 40 Hz and connect distortion meter to load resistor, adjust VR3 for minimum distortion. B) Voltmeter method: Adjust output as in step 3A and connect DC voltmeter between test points T.P. 1 and T.P. 2, adjust VR3 for zero \pm .01 volts.

- NOTES:**
- 1) THIS UNIT CONTAINS HAZARDOUS VOLTAGE. DISCONNECT POWER AND BE SURE POWER SUPPLY IS DISCHARGED BEFORE TOUCHING INTERNAL PARTS.
 - 2) UNLESS NOTED, RESISTOR VALUES IN OHMS, 1/4w-5% TOL. CAPACITOR VALUES IN MICROFARADS, 50v-10% TOL.
 - 3) VOLTAGES ARE MEASURED WITH 1 MEGOHM OSCILLOSCOPE AND 10 MEGOHM DIGITAL VOLTMETER. VOLTS IN RECTANGLES ARE RMS SIGNAL VOLTAGES WITH 0.3V 1KHZ @ J2 OTHER VOLTAGES ARE DC WITH NO SIGNAL.

CAUTION:
THIS SCHEMATIC IS PROVIDED FOR USE BY QUALIFIED PERSONNEL TO AVOID RISK OF ELECTRIC SHOCK, REFER SERVICING TO QUALIFIED SERVICE PERSONNEL. DO NOT PERFORM ANY SERVICING BEYOND THAT EXPLAINED IN THE OPERATING INSTRUCTIONS.

REV	DATE	BY	CHK'D	DESCRIPTION
3	5/15/92	SWR		ADDED TR1 & C18. RENUMBERED RESISTORS. CHANGED BIAS CIRCUIT.
2	4/8/92	SWR		REPLACED R27,R30,R32,R38,R41,R44 WITH FERRITE BEAD (L1-L6) CHANGED R35,R36 TO 1/2W ADDED D20,D21
1	11/6/91	SWR		CHANGED VALUE OF C7 FROM 100pF/200V TO 50pF/200V. ADDED C18 50pF/500V

SIGNATURES:		DATE:	
DRAWN:	ML	2-1-91	
CHK'D:	G.M.	02/15/91	
APP'D:	G.M.	02/15/91	
ORIGINAL ISSUED:	02/15/91	DRAWING NAME:	SVT-II PWR AMP
PLOT DATE:	07/22/92	DRAWING NAME:	SCHEMATIC
PLOT TIME:	10:04:09	DRAWING NO.:	07S419-02
FILE NAME:	S419023	SCALE:	NONE
		SHEET:	1 of 1

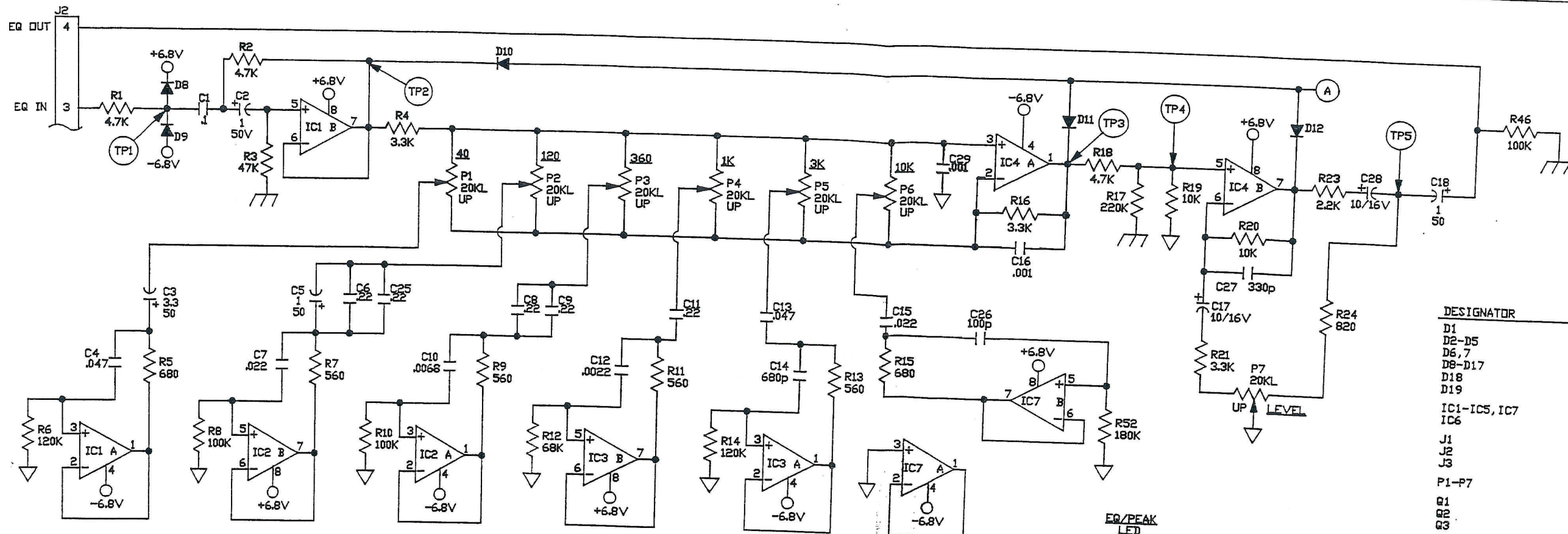


- NOTES**
- 1) CAUTION: SHOCK HAZARD!! THIS UNIT CONTAINS HAZARDOUS VOLTAGE. DISCONNECT POWER AND BE SURE POWER SUPPLY IS DISCHARGED BEFORE TOUCHING INTERNAL PARTS.
 - 2) UNLESS NOTED, RESISTOR VALUES IN OHMS, 1/4W-5% TOL. CAPACITOR VALUES IN MICROFARADS, 50V-10% TOL.
 - 3) VOLTAGES ARE MEASURED WITH 1 MEGOHM OSCILLOSCOPE AND 10 MEGOHM DIGITAL VOLTMETER.
 - 4) CIRCUIT GROUND --- CHASSIS GROUND ---
 - 5) --- DC VOLTAGES, NO INPUT SIGNAL

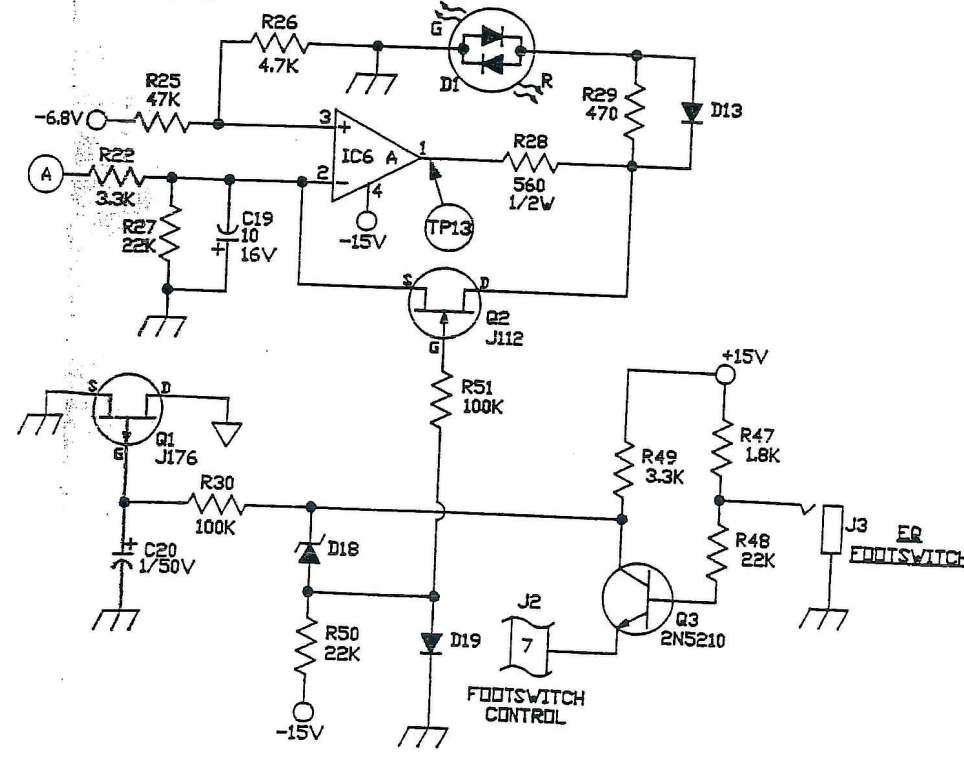
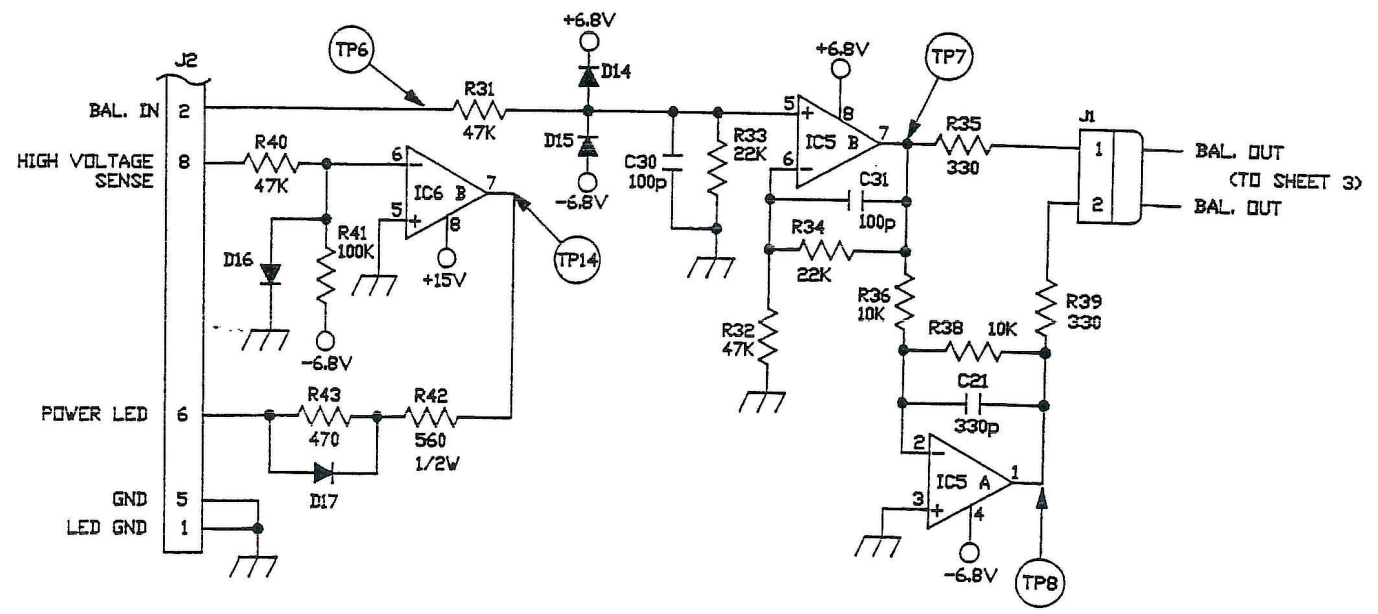
--- AC VOLTAGES, 1KHz SIGNAL, ALL TONES FLAT, VOLUME @ '10', SWITCHES 'OUT'.

CAUTION:
THIS SCHEMATIC IS PROVIDED FOR USE BY QUALIFIED PERSONNEL. TO AVOID RISK OF ELECTRIC SHOCK, REFER SERVICING TO QUALIFIED SERVICE PERSONNEL. DO NOT PERFORM ANY SERVICING BEYOND THAT EXPLAINED IN THE OPERATING INSTRUCTIONS.

SIGNATURES:	DATE:	 TIBBO BORRIAN DR. ST. LOUIS, MISSOURI 63148
DRAWN: SWR	5/11/92	
CHK'D: GM	06/09/92	PROJECT NAME:
APP'D: GM	06/09/92	SVT-II
ORIGINAL ISSUED:	06/09/92	DRAWING NAME:
PLOT DATE:	06/10/92	PRE-AMP SCHEMATIC
PLOT TIME:	10:10:54	DRAWING NO. 07S519-02
FILE NAME:	S51902	SCALE: NONE SHEET: 1 OF 1

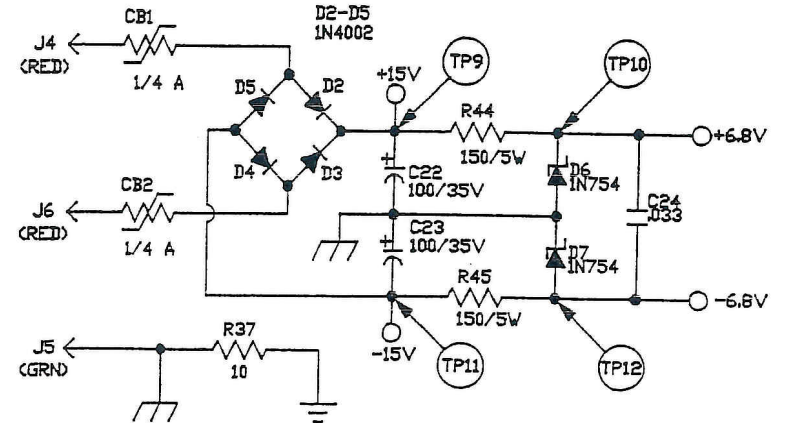


DESIGNATOR	DESCRIPTION	SLM PART #
D1	LED, RED-GREEN	21-591-51
D2-D5	1N4002	21A402-01
D6,7	1N754	21A754-01
D8-D17	1N914	21A914-01
D18	1N4743	21A443-01
D19	1N914	21A914-01
IC1-IC5, IC7	TL072	37-072-01
IC6	NE5532	37-532-01
J1	2 PIN HEADER	17-311-02
J2	8 PIN HEADER	17-311-08
J3	1/4" JACK	39-012-01
P1-P7	20K POT (SLIDER)	70-203-51
Q1	J176	96-176-01
Q2	1N754	96-112-01
Q3	2N5210	96-510-01
CB1,2	1/4A THERMISTOR	73-101-01



TEST POINTS	VOLTAGE V P-P	VOLTAGE VDC
1	.5	0
2	.5	0
3	.5	0
4	.5 EQ OFF	0
	.33 EQ DN	0
5	.5	0
6	.5	0
7	.23	0
8	.23	0
9	---	+15
10	---	+6.8
11	---	-15
12	---	-6.8
13	---	-14
	W/ 3 @ TP1	+14
14	---	-14 (DN)
	---	+14 (STANDBY)

CONDITIONS:
 VOLTAGES ARE MEASURED WITH ALL POTS @ CENTER POSITION, FRONT PANEL EQ ENABLED (J2-7 @ GND) & BALANCED OUT SWITCH IN.
 INPUT: 1KHz SINE WAVE @ .5Vp-p EQ IN (J2-3) & BALANCED IN (J2-2) TO GND (J2-5).



NOTES
 1) THIS UNIT CONTAINS HAZARDOUS VOLTAGE. DISCONNECT POWER AND BE SURE POWER SUPPLY IS DISCHARGED BEFORE TOUCHING INTERNAL PARTS.
 2) UNLESS NOTED, RESISTOR VALUES IN OHMS, 1/4W-5% TOL. CAPACITOR VALUES IN MICROFARADS, 50V-10% TOL.
 3) VOLTAGES ARE MEASURED WITH 1 MEGOHM OSCILLOSCOPE AND 10 MEGOHM DIGITAL VOLTMETER.
 4) CIRCUIT GROUND ∇ SWITCHED GROUND ∇ CHASSIS GROUND ∇

REV	DATE	BY	CHK'D	DESCRIPTION
3	3/10/92	SWR		REDESIGN
2	11/6/91	SWR		CHANGED VALUE OF C3,C4,C14,C15, C16,R13,R15,R21,R22, AND R26
1	12/6/90	ML		REDRAWN DUE TO CIRCUIT CHANGES

SIGNATURES:	DATE:	 1200 BOWMAN BL. ST. LOUIS, MISSOURI 63108
DRAWN: MGA	7-18-88	
CHK'D:		
APP'D:		

PROJECT NAME: SVT-II GRAPHIC EQ
 DRAWING NAME: