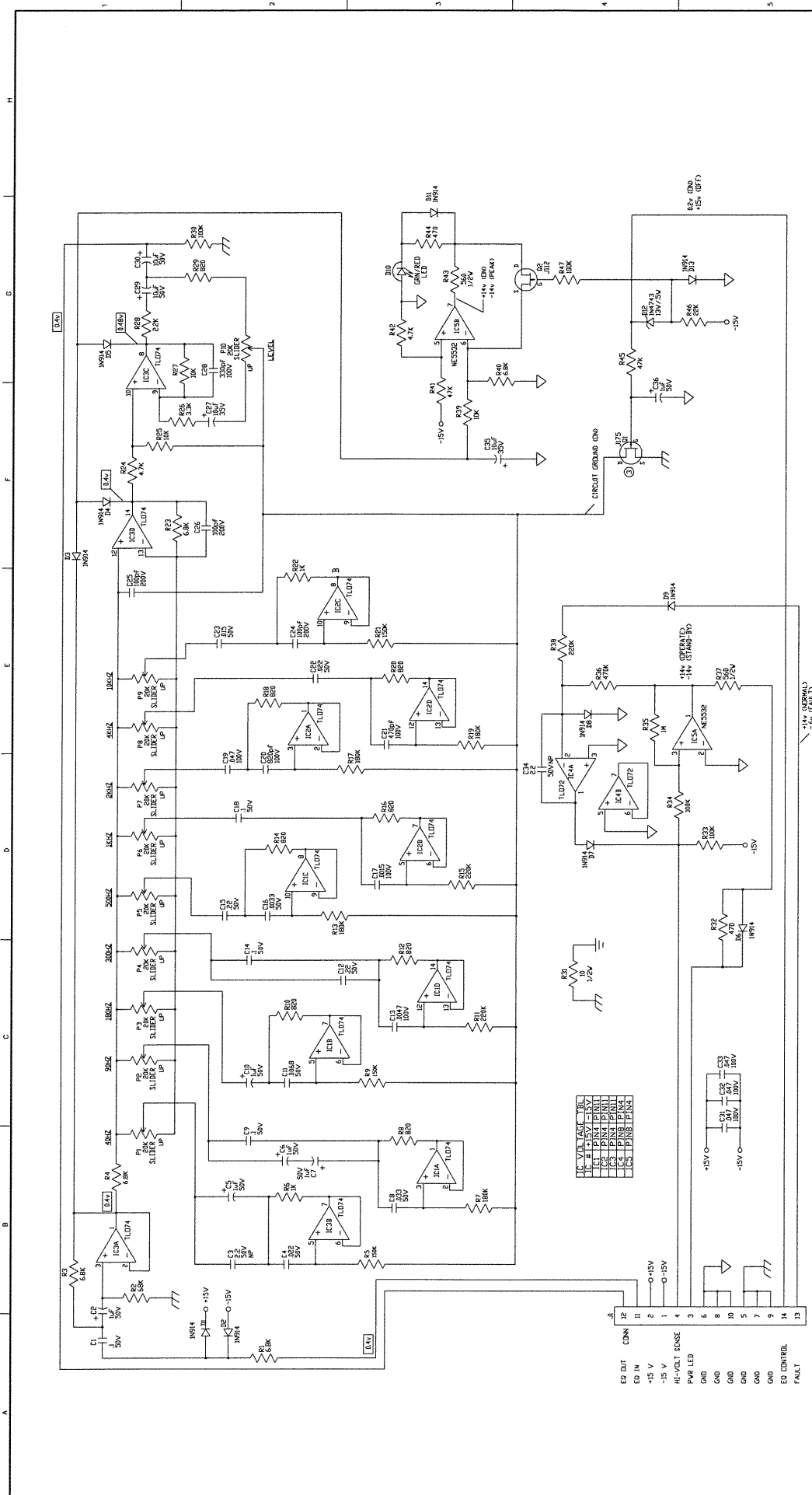


SIGNATURES:	DATE:	PROJECT NAME:
DRAWN: ERW	3/20/93	SVT-2 PRO
CHK'D:	APP'D:	DRAWING NAME:
ORIGINAL ISSUED:	PILOT DATE:	PRE AMP SCHEMATIC
NO. 084237	PUT TIME:	TRAINING NO.
STANDARD SIZE:	SCALE: 1:1	FILE NAME:
		NO. 075519-03
		REV. 3

REV	DATE	BY	CHK'D	DESCRIPTION
3	06/18/94	UMA		REV CHG TO REFLECT JUMPER CHG PER E150
2				
1				

- NOTES
- 1) CAUTION - SHOCK HAZARD! THIS UNIT CONTAINS HAZARDOUS VOLTAGE. DISCONNECT POWER AND BE SURE POWER SUPPLY IS DISCHARGED BEFORE TOUCHING INTERNAL PARTS.
 - 2) UNLESS NOTED, RESISTOR VALUES IN OHMS, 1/4W-5% TOL. CAPACITOR VALUES IN MICROFARADS, 50V-10% TOL.
 - 3) VOLTAGES ARE MEASURED WITH 1 MEGOHM OSCILLOSCOPE AND 10 MEGOHM DIGITAL VOLTMETER.
 - 4) VOLTAGES IN RECTANGLES ARE RMS SIGNAL VOLTAGES. OTHER VOLTAGES ARE DC IN CONDITIONS STATED.
 - 5) CIRCUIT GROUND ∇ DIRTY GROUND ∇ CHASSIS GROUND ∇

1	2	3	4	5	6	7	8	9	10	11	12	13	14	15	16	17	18	19	20
---	---	---	---	---	---	---	---	---	----	----	----	----	----	----	----	----	----	----	----



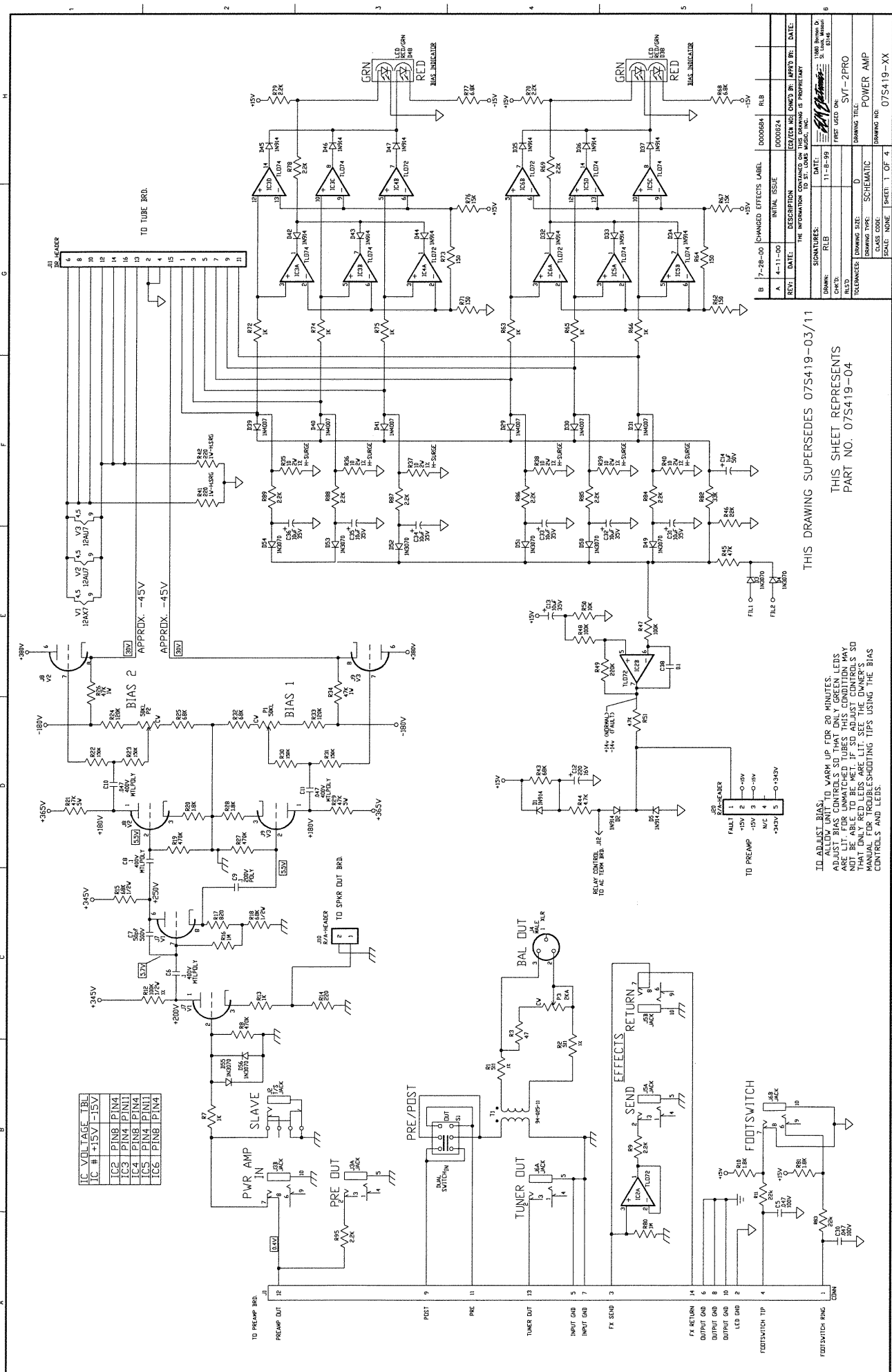
REV	DATE	BY	CHK'D	DESCRIPTION
1	2/12/98	WFB		REV CHG TO REFLECT JUMPER CHG PER E130
2	03/25/94	LMA		

APPROVED FOR RELEASE	DATE	DESCRIPTION
ERW	3/11/93	
GM	07/09/98	
GM	07/09/98	

PROJECT NAME	SVT-2 PRO
DRAWING NO.	728291-02
TRNG NO.	075728-02
REV.	3
SCALE	1:1
FILE NAME	
SHEET	1 OF 1

NOTES

- CAUTION: SHOCK HAZARD! THIS UNIT CONTAINS HAZARDOUS VOLTAGE. DISCONNECT POWER AND BE SURE POWER SUPPLY IS DISCHARGED BEFORE TOUCHING INTERNAL PARTS.
- UNLESS NOTED, RESISTOR VALUES IN OHMS, 1/4W-5% TOL. CAPACITOR VALUES IN MICROFARADS, 50V-10% TOL.
- VOLTAGES ARE MEASURED WITH 1 MEGOHM OSCILLOSCOPE AND 10 MEGOHM DIGITAL VOLTMETER. EQ. DN. SLIDERS ARE IN CENTER POSITION.
- VOLTAGES IN RECTANGLES ARE RMS SIGNAL VOLTAGES WITH 0.4V IN OTHER VOLTAGES ARE DC IN CONDITIONS STATED.
- CIRCUIT GROUND // DIRTY GROUND ∇ CHASSIS GROUND ⊕



IC #	+15V	-15V
IC2	PIN8	PIN4
IC3	PIN4	PIN1
IC4	PIN8	PIN4
IC5	PIN4	PIN1
IC6	PIN8	PIN4

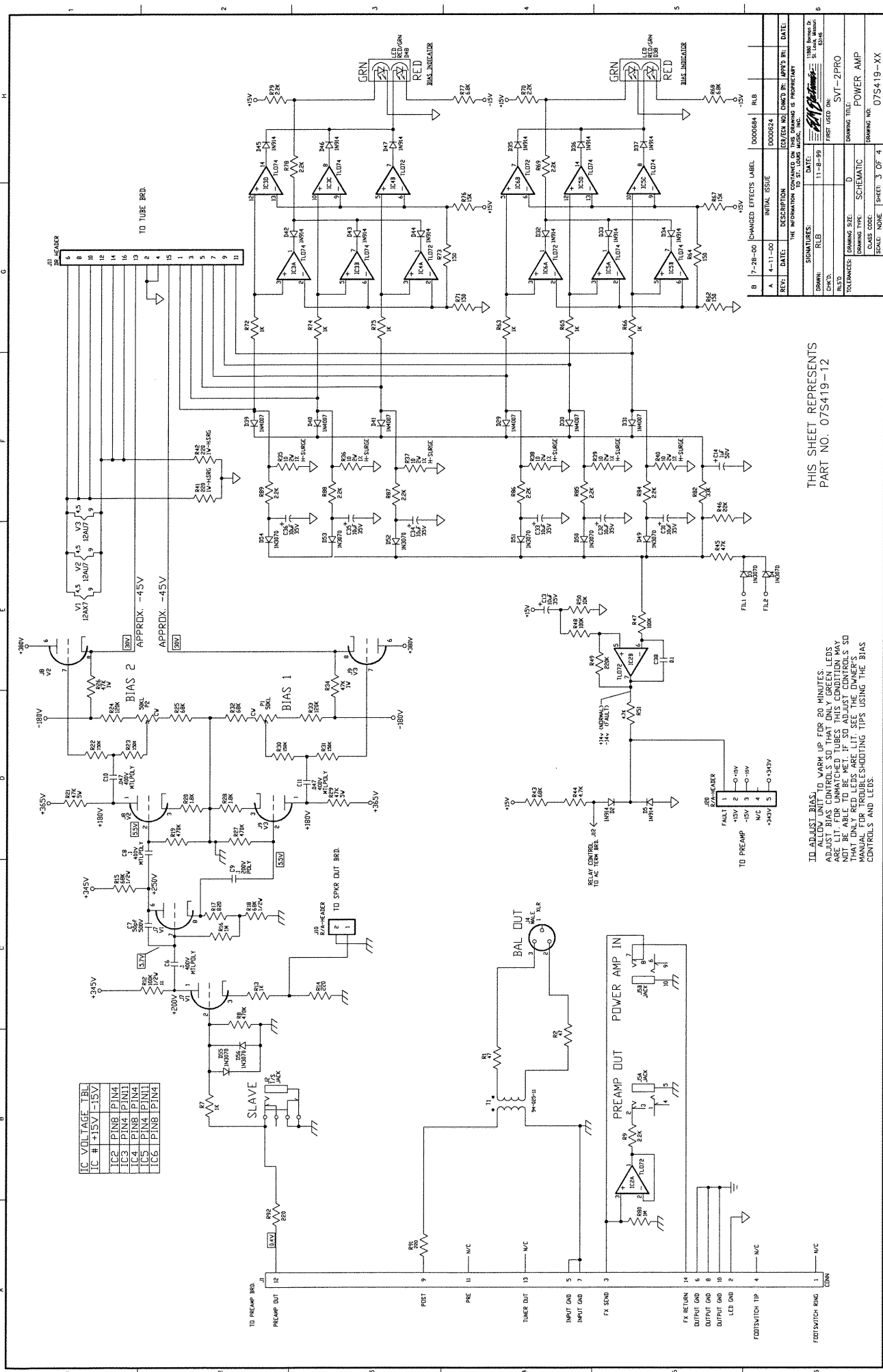
THIS DRAWING SUPERSEDES 07S419-03/11

THIS SHEET REPRESENTS
PART NO. 07S419-04

IN ADJUST BIAS...
 ADJUST BIAS CONTROLS FOR 20 MINUTES.
 ADJUST BIAS CONTROLS SO THAT ONLY GREEN LEADS
 ARE LIT. FOR UNMATCHED TUBES THIS CONDITION MAY
 NOT BE ABLE TO BE MET. IF SO ADJUST CONTROLS SO
 THAT ONLY GREEN LEADS ARE LIT. REFER TO THE
 MANUAL FOR TROUBLESHOOTING TIPS USING THE BIAS
 CONTROLS AND LEADS.

REVISIONS		INITIAL ISSUE	
REV:	DATE:	INITIAL ISSUE	DATE:
1	11-12-99	0000824	0000824
SIGNATURES:		DESIGNER:	
DRW:	RLB	CHKD:	RLB
REV:	DATE:	INITIAL ISSUE	DATE:
1	11-12-99	0000668	0000668

DRAWING INFORMATION		DRAWING TITLE	
DRAWING NO.	07S419-XX	DRAWING TITLE	SVT-2PRO
CLASS CODE	SCHEMATIC	DRAWING TYPE	POWER AMP
SCALE	NONE	SHEET	1 OF 4



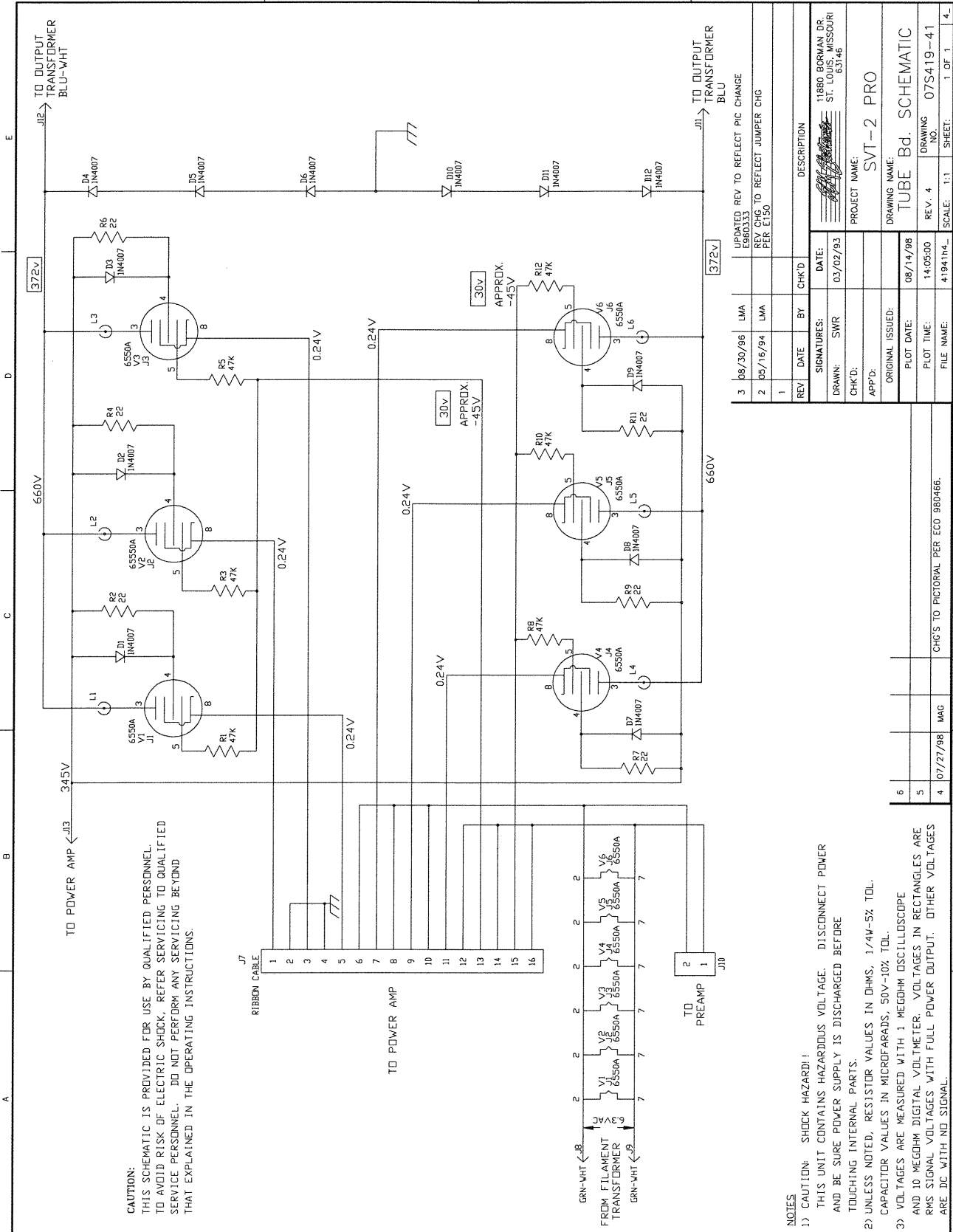
IC #	VOLTAGE	TUB
IC1	+15V	-15V
IC2	PIN8	PIN4
IC3	PIN4	PIN1
IC4	PIN8	PIN4
IC5	PIN4	PIN1
IC6	PIN8	PIN4

THIS SHEET REPRESENTS
PART NO. 075419-12

TO ADJUST BIAS, TURN WASH UP FOR 30 MINUTES. ADJUST BIAS CONTROLS SO THAT ONLY GREEN ARE LIT. FOR UNMATCHED TUBES THIS CONDITION MAY NOT BE ABLE TO BE MET. IF SO ADJUST CONTROLS SO THAT ONLY RED ARE LIT. SEE OWNER'S MANUAL FOR TROUBLESHOOTING TIPS USING THE BIAS CONTROLS AND LEADS.

REV:	DATE:	DESCRIPTION:	IC/ECN NO:	ORIG BY:	APPROV BY:	DATE:
A	4-11-00		0000824			
B	7-28-00	CHANGED EFFECTS LABEL	0000684	RLB		

INITIAL ISSUE	0000684	RLB
REVISIONS:	TO LOCAL BLDG. INC.	
DESIGNED BY:	11-22-99	SVT-2PRO
CHECKED BY:		
DRAWING TYPE:	SCHEMATIC	POWER AMP
TOLERANCES:		
DRAWING NO:		
CLASS CODE:		
SCALE:	INDIC	SHEET 3 OF 4
DRAWING NO:		075419-XX



CAUTION:
THIS SCHEMATIC IS PROVIDED FOR USE BY QUALIFIED PERSONNEL. TO AVOID RISK OF ELECTRIC SHOCK, REFER SERVICING TO QUALIFIED SERVICE PERSONNEL. DO NOT PERFORM ANY SERVICING BEYOND THAT EXPLAINED IN THE OPERATING INSTRUCTIONS.

- NOTES:**
- 1) CAUTION: SHOCK HAZARD! THIS UNIT CONTAINS HAZARDOUS VOLTAGE. DISCONNECT POWER AND BE SURE POWER SUPPLY IS DISCHARGED BEFORE TOUCHING INTERNAL PARTS.
 - 2) UNLESS NOTED, RESISTOR VALUES IN OHMS, 1/4W-5% TOL. CAPACITOR VALUES IN MICROFARADS, 50V-10% TOL.
 - 3) VOLTAGES ARE MEASURED WITH 1 MEGOHM OSCILLOSCOPE AND 10 MEGOHM DIGITAL VOLTMETER. VOLTAGES IN RECTANGLES ARE RMS SIGNAL VOLTAGES WITH FULL POWER OUTPUT. OTHER VOLTAGES ARE DC WITH NO SIGNAL.

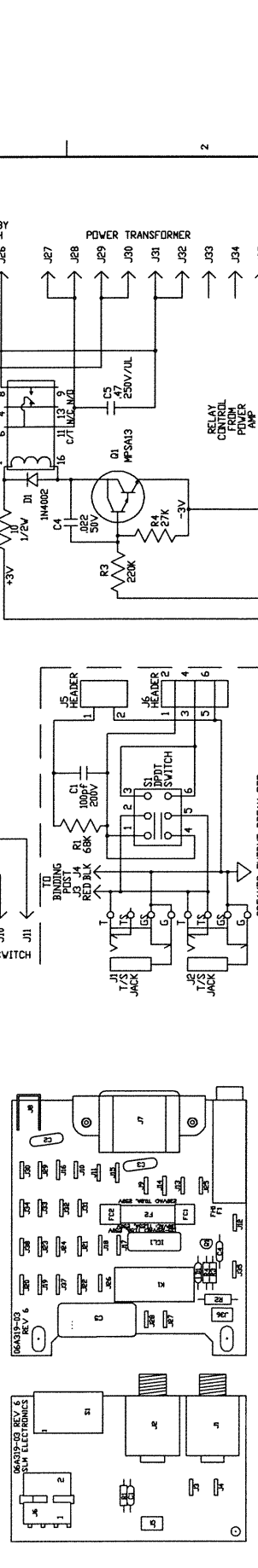
REV	DATE	BY	CHK'D	DESCRIPTION
3	08/30/96	LMA		UPDATED REV TO REFLECT PIC CHANGE E660133
2	08/16/94	LMA		REV CHG TO REFLECT JUMPER CHG PER E150
1				

SIGNATURES:	DATE:	DESCRIPTION:
SWR	03/02/93	
CHK'D:		
APP'D:		
ORIGINAL ISSUED:		
PLOT DATE:	08/14/98	
PLOT TIME:	14:05:00	
FILE NAME:	41941b4	

PROJECT NAME:	SVT-2 PRO
DRAWING NAME:	TUBE Bd. SCHEMATIC
DRAWING NO.:	07S419-41
SCALE:	1:1
SHEET:	1 OF 1

NOTES

- 1) CAUTION: SHOCK HAZARD!! THIS UNIT CONTAINS HAZARDOUS VOLTAGE. DISCONNECT POWER AND BE SURE POWER SUPPLY IS DISCHARGED BEFORE TOUCHING INTERNAL PARTS.
- 2) UNLESS NOTED, RESISTOR VALUES IN OHMS, 1/4W-5% TOL. CAPACITOR VALUES IN MICROFARADS, 50V-10% TOL.
- 3) VOLTAGES ARE MEASURED WITH 1 MEGOHM OSCILLOSCOPE AND 10 MEGOHM DIGITAL VOLTMETER.
- 4) CIRCUIT GROUND = DIRTY GROUND ∇ CHASSIS GROUND ↗
- 5) GOOD CS PER USUAL PRACTICE.



(SPEAKER OUTPUT) (AC TERMINATION)

ARTWORK REV. 6

DESIGNATOR	PART#	DESCRIPTION
C1	10A101-21	100µF 200V
C2	10-332-01	0.0033 UL
C3	10-332-01	0.0033 UL
C4	10A223-01	0.022 50V
C5	10-474-25	0.47 250V/UL
D1	21A402-01	1N4002
FC1	23-926-02	FUSE CLIP
FC2	23-926-02	FUSE CLIP
FH1	23-346-01	FUSE HOLDER
Ⓢ1	73-501-03	3A INRUSH LIMITER
J1	39-116-01	T/S JACK
J2	39-116-01	T/S JACK
J3	17-836-01	TAB
J4	17-836-01	TAB
J5	17-310-02	2PIN HEADER
J6	17-195-06	6PIN HEADER
J7	17-604-01	LINE-CORD CONNECTOR
J8	51-149-01	GND/DUG
J9	17-894-01	TAB
J10	17-894-01	TAB
J11	17-894-01	TAB
J12	17-836-01	TAB
J13	17-836-01	TAB
J14	17-894-01	TAB
J15	17-894-01	TAB
J16	17-894-01	TAB
J17	17-894-01	TAB
J18	17-894-01	TAB
J19	17-894-01	TAB
J20	17-894-01	TAB
J21	17-894-01	TAB
J22	17-894-01	TAB
J23	17-894-01	TAB
J24	17-894-01	TAB
J25	17-836-01	TAB
J26	17-836-01	TAB
J27	17-836-01	TAB
J28	17-836-01	TAB
J29	17-836-01	TAB
J30	17-836-01	TAB
J31	17-836-01	TAB
J32	17-836-01	TAB
J33	17-836-01	TAB
J34	17-836-01	TAB
J35	17-836-01	TAB
J36	17-310-02	2PIN TAB
J37	17-894-01	TAB
J38	17-836-01	TAB
K1	82-505-01	RELAY
Q1	96-013-01	MPSA13
R1	76-683-01	68K
R2	77-100-01	10
R3	76-224-01	220K
R4	76-273-01	27K
S1	88-214-02	SWITCH
F1	23-310-01	10A FUSE NORMAL
F2	23-308-05	1.5A FUSE SLD-BLD
PCB1	06A319-03	PC BRD.
(2)	30-638-53	MISC. HARDWARE
(2)	30-700-01	SCREW
(1)	23-346-11	NUT FUSE HOLDER CAP

9 11/13/97 SWR
 11/04/96 SWR
 05/07/96 LMA G.H.
 11/08/95 DMM
 03/22/95 REM
 04/11/94 BC
 04/07/94 SWR
 08/09/93 SWR

ADDED (CL1, J37, & J38).
 CHANGED P/N FOR FC1 & FC2 & LABEL FOR F2.
 ADDED CS PER E960093
 CHANGED 39-116-51 TO 39-116-01 PER E950348
 R1 FROM 33K TO 68K RESISTOR.
 CHANGED F1 FROM 15A TO 10A FUSE (23-315-01 TO 23-310-01) PER ECO E101
 CHANGED C2 TO 10-332-01 .0033 UL PER ECO #E126.
 CHANGED P/N FOR PARTS J1 & J2.

REV DATE BY CHK'D DESCRIPTION

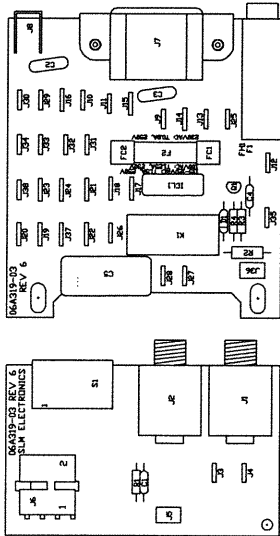
SIGNATURES: DATE: 03/11/93
 DRAWN: ERW
 CHK'D: GM
 APP'D: GM
 ORIGINAL ISSUED: 8/9/93
 PLOT DATE: 11/13/97
 PLOT TIME: 08:19:22
 FILE NAME: 31903P8

PROJECT NAME: SVT-2 PRO
 DRAWING NAME: AC-TERM BRD.
 DRAWING NO. 07P319-03
 SCALE: 1:1 SHEET: 1 OF 1

1880 BORMAN DR.
 ST. LOUIS, MISSOURI
 63146

NOTES

- 1) CAUTION: SHOCK HAZARD! THIS UNIT CONTAINS HAZARDOUS VOLTAGE. DISCONNECT POWER AND BE SURE POWER SUPPLY IS DISCHARGED BEFORE TOUCHING INTERNAL PARTS.
- 2) UNLESS NOTED, RESISTOR VALUES IN OHMS, 1/4W-5% TOL. CAPACITOR VALUES IN MICROFARADS, 50V-10% TOL.
- 3) VOLTAGES ARE MEASURED WITH 1 MEGOHM OSCILLOSCOPE AND 10 MEGOHM DIGITAL VOLTMETER.
- 4) CIRCUIT GROUND \oplus DIRTY GROUND ∇ CHASSIS GROUND ∇
- 5) GOOD CS PER USUAL PRACTICE.



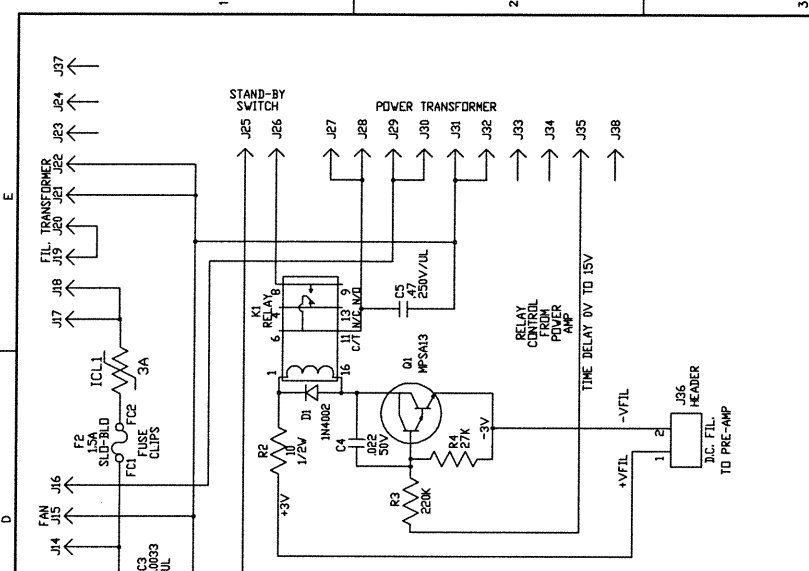
(SPEAKER OUTPUT)

(AC TERMINATION)

ARTWORK REV. 6

DESIGNATOR	PART#	DESCRIPTION
------------	-------	-------------

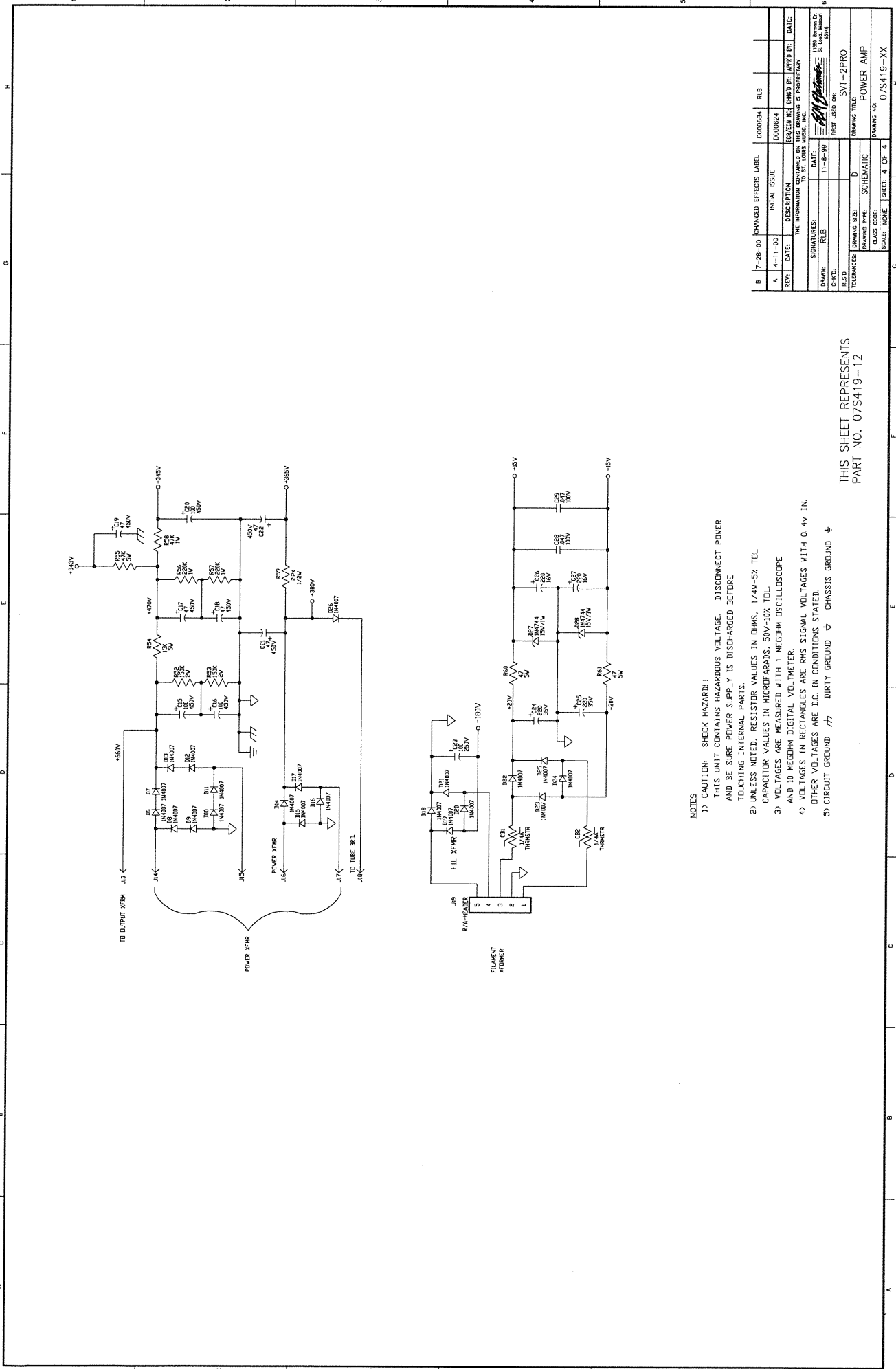
C1	10A101-21	100pF
C2	0 0033	200V UL
C3	0 0033	UL
C4	10A223-01	0 022
C5	10-474-25	0 47
D1	21A402-01	1N4002
FC1	23-926-02	FUSE CLIP
FC2	23-926-02	FUSE CLIP
FH1	23-346-01	FUSE HOLDER
ICL1	73-501-03	3A INRUSH LIMITER
J1	39-116-01	T/S JACK
J2	39-116-01	T/S JACK
J3	17-836-01	TAB
J4	17-836-01	TAB
J5	17-310-02	2PIN HEADER
J6	17-193-06	6PIN HEADER
J7	17-604-01	LINE-CORD CONNECTOR
J8	51-149-01	TAB
J9	17-894-01	TAB
J10	17-894-01	TAB
J11	17-894-01	TAB
J12	17-836-01	TAB
J13	17-836-01	TAB
J14	17-894-01	TAB
J15	17-894-01	TAB
J16	17-894-01	TAB
J17	17-894-01	TAB
J18	17-894-01	TAB
J19	17-894-01	TAB
J20	17-894-01	TAB
J21	17-894-01	TAB
J22	17-894-01	TAB
J23	17-894-01	TAB
J24	17-894-01	TAB
J25	17-836-01	TAB
J26	17-836-01	TAB
J27	17-836-01	TAB
J28	17-836-01	TAB
J29	17-836-01	TAB
J30	17-836-01	TAB
J31	17-836-01	TAB
J32	17-836-01	TAB
J33	17-836-01	TAB
J34	17-836-01	TAB
J35	17-836-01	TAB
J36	17-836-01	TAB
J37	82-505-01	RELAY
J38	96-013-01	MPSA13
K1	82-505-01	RELAY
Q1	96-013-01	MPSA13
R1	76-683-01	68K
R2	77-100-01	10
R3	76-224-01	220K
R4	76-273-01	27K
S1	88-214-02	SWITCH
F1	23-310-01	10A FUSE NORMAL
F2	23-308-05	1.5A FUSE SLD-BLD
PCB1	06A319-03	PC BRD.
(2)	30-638-53	SCREW
(2)	30-700-01	NUT
(1)	23-346-11	FUSE HOLDER CAP



9	1/15/97	SWR	ADDED ICL1 J37 & J38. PER ECO #970682.
10	11/04/96	SWR	CHANGED P/N FOR FC1 & FC2 & LABEL FOR FZ. PER ECO #960445.
11	05/07/86	LMA	ADDED C5 PER E960093
12	11/06/95	DMM	CHANGED 39-116-51 TO 39-116-01 PER E950348
13	03/22/95	REM	RT FROM 33K TO 68K RESISTOR.
14	04/11/94	BC	CHANGED F1 FROM 15A TO 10A FUSE (23-310-01 TO 23-310-01) PER ECO E101
15	04/07/94	SWR	CHANGED C4 TO 10-332-01 .0033 UL PER ECO #E120
16	08/09/93	SWR	CHANGED P/N FOR PARTS J1 & J2.

REV	DATE	BY	CHK'D	DESCRIPTION
1	03/11/93	ERW	GM	11880 BORMAN DR. ST. LOUIS, MISSOURI 63146
2	08/11/93	GM	GM	PROJECT NAME: SVT-2 PRO
3	08/11/93	GM	GM	DRAWING NAME: AC-TERM BRD.
4	11/13/97	GM	GM	DRAWING NO. 07P319-03
5	08/19/22	GM	GM	DRAWING REV. 8
6	3190398	GM	GM	SCALE: 1:1 SHEET: 1 OF 1

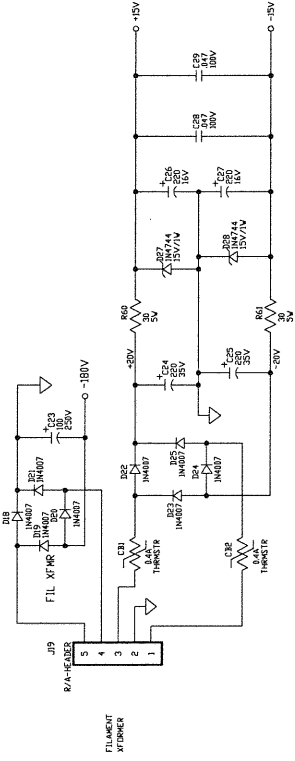
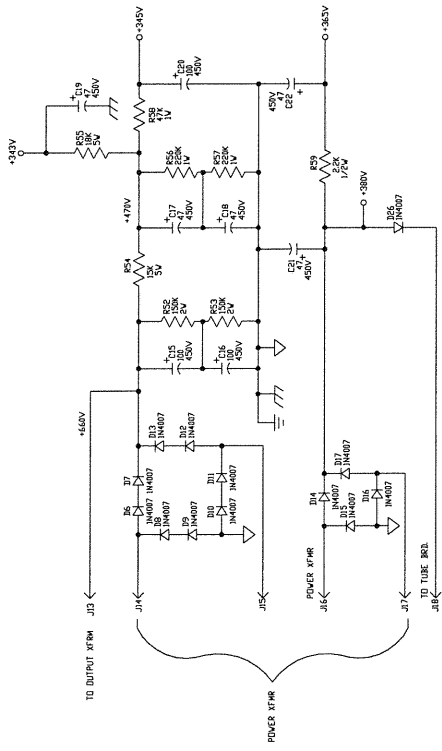
DATE: 03/11/93
DRAWN: ERW
CHK'D: GM
APP'D: GM
ORIGINAL ISSUED: 8/9/93
PLOT DATE: 11/13/97
FILE NAME: 3190398



THIS SHEET REPRESENTS
PART NO. 075419-12

- NOTES
- 1) CAUTION- SHOCK HAZARD!
THIS UNIT CONTAINS HAZARDOUS VOLTAGE. DISCONNECT POWER AND BE SURE POWER SUPPLY IS DISCHARGED BEFORE TOUCHING INTERNAL PARTS.
 - 2) UNLESS NOTED, RESISTOR VALUES IN OHMS, 1/4W-5% TOL. CAPACITOR VALUES IN MICROFARADS, 50V-10% TOL.
 - 3) VOLTAGES ARE MEASURED WITH 1 MEGOHM OSCILLOSCOPE AND 10 MEGOHM DIGITAL VOLTMETER
 - 4) VOLTAGES IN RECTANGLES ARE RMS SIGNAL VOLTAGES WITH 0.4v IN.
 - 5) OTHER VOLTAGES ARE D.C. IN CONDITIONS STATED.
 - 6) CIRCUIT GROUND ∇ DIRTY GROUND ∇ CHASSIS GROUND ∇

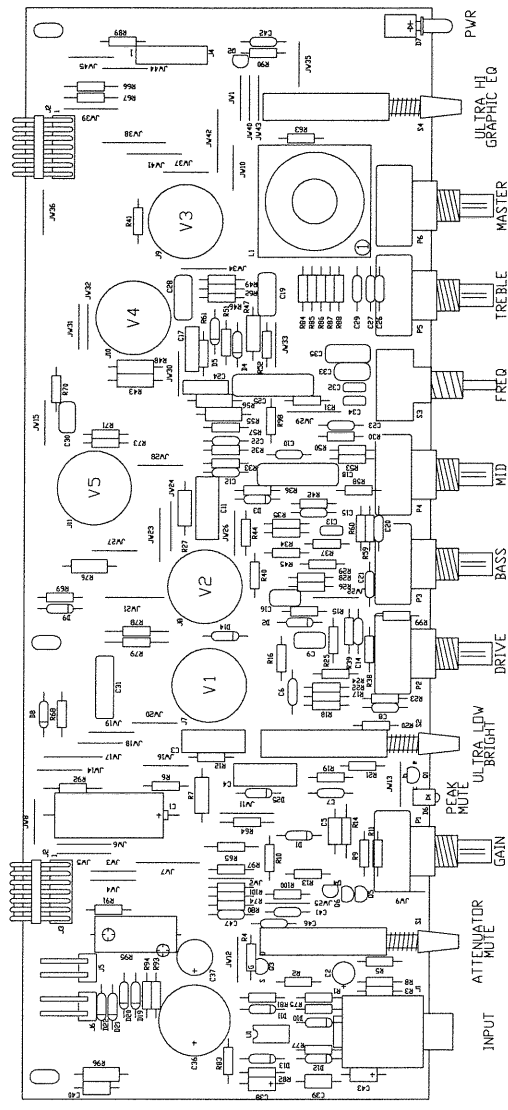
B	7-28-00	CHANGED EFFECTS LABEL	0000684	RLB	
A	4-11-00	INITIAL ISSUE	0000624		
REV	DATE	DESCRIPTION	ECO/EDA MGR	CHK'D BY	DATE
		CONTAINING ON THIS DRAWING IS PROPRIETARY TO			
DRWN:	RLB	DATE	11-8-99	SIGNATURES:	11/8/99
CHK'D:		DATE		DATE	
REV'D:		DATE		DATE	
TOLERANCES:		DRAWING TITLE	SVI-2PRO		
		DRAWING SIZE:	POWER AMP		
		CLASS CODE:			
		SCALE:	NONE		
		SHEET:	4	OF	4
		DRAWING NO.:	075419-XX		



- NOTES
- 1) CAUTION: SHOCK HAZARDOUS!
THIS UNIT CONTAINS HAZARDOUS VOLTAGE. DISCONNECT POWER AND BE SURE POWER SUPPLY IS DISCHARGED BEFORE TOUCHING INTERNAL PARTS.
 - 2) UNLESS NOTED, RESISTOR VALUES IN OHMS, 1/4W-5% TOL. CAPACITOR VALUES IN MICROFARADS, 50V-10% TOL.
 - 3) VOLTAGES ARE MEASURED WITH 1 MEGOHM OSCILLOSCOPE AND 10 MEGOHM DIGITAL VOLTMETER.
 - 4) SIGNAL VOLTAGES ARE RMS SIGNAL VOLTAGES WITH 0.4V IN OTHER VOLTAGES ARE D.C. IN CONDITIONS STATED.
 - 5) CIRCUIT GROUND ∇ DIRTY GROUND ∇ CHASSIS GROUND ∇

THIS SHEET REPRESENTS
PART NO. 07-419-04

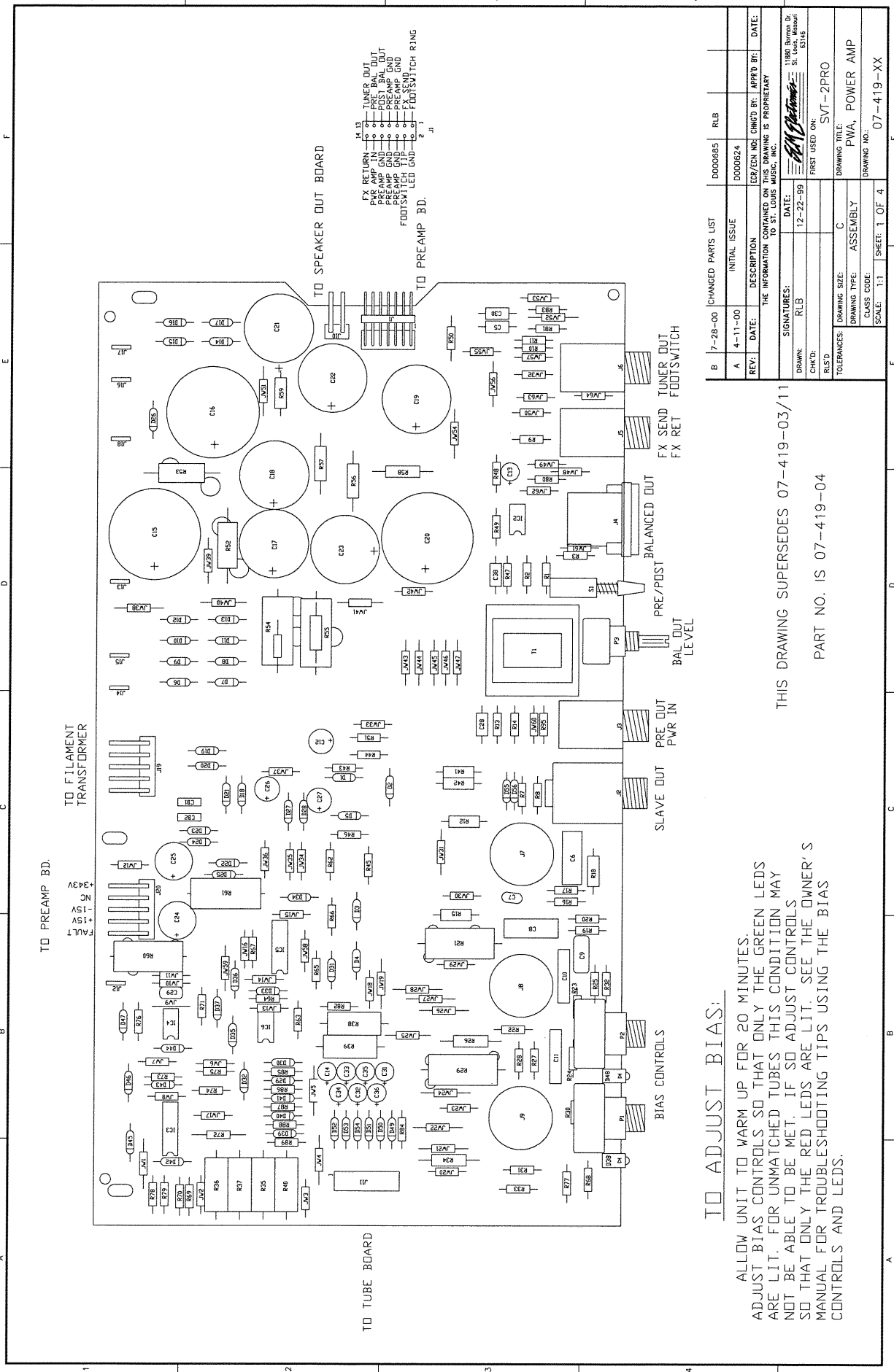
B	7-28-00	CHANGED EFFECTS LABEL	0000564	RLB		
A	4-11-00	INITIAL ISSUE	0000824			
REV	DATE	DESCRIPTION	ECN/ECN NO	CHG'D BY	APPRO'D BY	DATE
THE INFORMATION CONTAINED ON THIS DRAWING IS PROPRIETARY						
SYMBOLS:	RLB	DATE:	11-02-99	REVISED BY:	RLB	DATE:
CHKD:	RLB	DATE:	11-02-99	REVISED BY:	RLB	DATE:
REVISED BY:	RLB	DATE:	11-02-99	REVISED BY:	RLB	DATE:
TOLERANCES:	DRAWING SIZE:	DRAWING TITLE:	SVT-2PRO			
CLASS CODE:	DRAWING TYPE:	CLASS CODE:	SCHEMATIC POWER AMP			
SCALE:	NONE	SHEET:	2	OF	4	DRAWING NO:
DRAWING NO: 075419-XX						



3	06/18/94	LMA	76-000-01 TO -05 PER E150	
2	10/29/93	SWR	CHANGED P/N FOR S1, S2, & S4	
1	08/30/93	SWR	ADDED 68-935-01 LED MOUNT TO PARTS LIST	
REV	DATE	BY	CHK'D	DESCRIPTION
SIGNATURES:				DATE:
DRAWN: ERW				3/30/93
CHK'D:				
APP'D:				
ORIGINAL ISSUED:				11860 BORMAN DR. ST. LOUIS, MISSOURI 63146
PLOT DATE:				PROJECT NAME: SVT-2 PRO
PLOT TIME:				DRAWING NAME: PRE AMP PICTORIAL
FILE NAME:				DRAWING NO. 07P519-03 REV. 3
				SCALE: 1:1 SHEET: 1 OF 2

DES.	PART #	DESCRIPTION	J8	17-450-09	TUBE SOCKET	R56	77-823-01	82K	1/2W	2S1	88-303-02	4PDT SWITCH
C1	12-106-91	10	J9	17-450-09	TUBE SOCKET	R57	76-153-01	15K		2S2	88-303-02	4PDT SWITCH
C2	12-226-32	35V	J10	17-450-09	TUBE SOCKET	R58	76-222-01	2.2K		2S3	88-108-01	5 PDS. SWITCH
C3	10-104-10	0.1	J11	17-450-09	TUBE SOCKET	R59	76-124-01	120K		2S4	88-303-02	4PDT SWITCH
C4	10-104-10	0.1	L1	94-602-32	800MH TAPPED	R60	76-224-01	220K		U1	37-072-01	TLD72
C5	10A104-01	0.1	P1	70-254-15	250KA	R61	76-105-01	1M		V1	97-927-02	12AX7 PREMIUM
C6	10A221-11	220pf	P2	70-254-15	250KA	R62	76-223-01	22K		V2	97-927-01	12AX7
C7	10A471-21	470pf	P3	70-103-12	1MA	R63	76-105-01	1M		V3	97-927-01	12AX7
C8	10A472-11	0.0047	P4	70-503-17	50KL	R64	76-152-01	1.5K		V4	95-126-01	12AX7
C9	10-104-03	0.1	P5	70-103-12	1MA	R65	76-105-01	1M		V5	97-927-01	12AX7
C10	10A153-01	0.015	P6	70-254-15	250KA	R66	76-104-01	100K		PCB1	06A519-03	PC BOARD
C11	10-104-10	0.1	Q1	96-013-01	MPSA13	R67	76-105-01	1M		AJW1-JW45	76-000-05	JUMPER
C12	10A472-11	0.0047	Q2	96-510-01	2N5210	R68	76-254-01	220K		①68-935-01	LED MOUNT FOR D72	
C13	10-333-02	0.033	Q3	96-510-01	2N5210	R69	76-473-01	47K				
C14	10A102-11	0.001	Q4	96-510-01	J176	R70	76-474-01	470K				
C15	10A221-11	220pf	Q5	96-510-01	2N5210	R71	76-332-01	3.3K				
C16	10-104-03	0.1	Q6	96-510-01	2N5210	R72	76-105-01	3.3K				
C17	10-223-10	0.022	R1	76-473-01	47K	R73	76-332-01	3.3K				
C18	10-684-21	0.68	R2	76-273-01	27K	R74	76-104-01	100K				
C19	10-104-21	0.1	R3	76-273-01	27K	R75	76-222-01	2.2K				
C20	10A102-11	0.001	R4	76-335-01	3.3M	R76	76-223-01	22K				
C21	10A103-11	0.01	R5	76-104-01	100K	R77	76-333-01	33K				
C22	10A102-11	0.001	R6	76-104-01	100K	R78	76-105-01	1M				
C23	10A471-21	470pf	R7	76-104-01	100K	R79	76-104-01	100K				
C24	10-223-10	0.022	R8	76-104-01	100K	R80	76-222-01	2.2K				
C25	10-684-21	0.68	R9	77-104-02	4.7K	R81	76-222-01	2.2K				
C26	10A150-21	15pf	R10	76-152-01	1.5K	R82	76-474-01	470K				
C27	10A101-21	100pf	R11	76-473-01	47K	R83	76-474-01	470K				
C28	10-224-03	0.22	R12	76-105-01	1M	R84	76-474-01	470K				
C29	10A472-11	0.0047	R13	76-223-01	22K	R85	76-474-01	470K				
C30	10-104-03	0.1	R14	76-474-01	47K	R86	76-474-01	470K				
C31	10-224-03	0.22	R15	76-473-01	47K	R87	76-474-01	470K				
C32	10-333-02	0.033	R16	76-105-01	1M	R88	76-474-01	470K				
C33	10-154-02	0.15	R17	76-473-01	47K	R89	76-332-01	3.3K				
C34	10-333-02	0.033	R18	76-335-01	3.3M	R90	76-105-01	1M				
C35	10-224-03	0.22	R19	76-224-01	22K	R91	76-471-01	470				
C36	12-228-26	2200	R20	76-224-01	22K	R92	76-471-01	470				
C37	12-108-12	16V	R21	76-105-01	1M	R93	76-221-01	220				
C38	12A106-11	10uf	R22	76-473-01	47K	R94	76-221-01	220				
C39	10A473-11	0.047	R23	76-224-01	22K	R95	78-050-05	5 SW				
C40	10A473-11	0.047	R24	76-224-01	22K	R96	77-101-01	100	1/2W			
C41	10A223-01	0.022	R25	76-335-01	3.3M	R97	76-474-01	470K				
C42	10A223-01	0.022	R26	76-335-01	3.3M	R98	76-682-01	6.8K				
C43	12A106-11	10uf	R27	76-274-01	270K	R99	76-223-01	22K				
C44	10A223-01	0.022	R28	76-154-01	150K	R100	76-105-01	1M				
C45	10A223-01	0.022	R29	76-224-01	220K	R101	76-473-01	47K				
D1	21A914-01	1N914	R30	77-104-02	100K							
D2	21A914-01	1N914	R31	76-152-01	1.5K							
D3	21A914-01	1N914	R32	76-472-01	4.7K							
D4	21A914-01	1N914	R33	76-152-01	1.5K							
D5	21A914-01	1N914	R34	76-104-01	100K							
D6	21-501-01	RED	R35	76-105-01	1M							
D7	21-591-01	RED/GRN	R36	76-105-01	1M							
D8	21A914-01	1N914	R37	76-154-01	150K							
D9	21A914-01	1N914	R38	76-154-01	150K							
D10	21A914-01	1N914	R39	76-473-01	47K							
D11	21A914-01	1N914	R40	76-274-01	270K							
D12	21A914-01	1N914	R41	76-183-01	18K							
D13	21A914-01	1N914	R42	76-104-01	100K							
D14	21A914-01	1N914	R43	76-473-01	47K							
D19	21A402-01	1N4002	R44	76-474-01	47K							
D20	21A402-01	1N4002	R45	76-224-02	221K							
D21	21A402-01	1N4002	R46	76-561-01	560							
D22	21A402-01	1N4002	R47	76-103-01	10K							
D25	21A914-01	1N914	R48	76-103-01	10K							
J1	39-119-01	T/S	R49	77-224-02	221K							
J2	17-101-14	14PIN HEADER	R50	76-103-01	10K							
J3	17-101-14	14PIN HEADER	R51	77-224-02	221K							
J4	17-310-05	33K	R52	76-103-01	10K							
J5	17-311-02	2PIN R/A-HEADER	R53	76-222-01	2.2K							
J6	17-311-02	2PIN R/A-HEADER	R54	76-105-01	1M							
J7	17-450-09	TUBE SOCKET	R55	77-683-01	68K							

3	06/18/94	LMA	76-000-01 TO -05 PER E150
2	10/29/93	SWR	CHANGED P/N FOR S1, S2, & S4
1	08/30/93	SWR	ADDED 68-935-01 LED MOUNT TO PARTS LIST
REV	DATE	BY	CHK'D
SIGNATURES:		DESCRIPTION	
DRAWN: ERW	DATE: 3/31/93	11880 BORMAN DR. ST. LOUIS, MISSOURI 63146	
CHK'D:	PROJECT NAME: SVT-2 PRO		
APP'D:	DRAWING NAME: PRE AMP PICTORIAL		
ORIGINAL ISSUED:	PLOT DATE: 05/18/94		
PLOT DATE:	PLOT TIME: 08:50:58		
PLOT TIME:	FILE NAME: 51903P3Z		
SCALE: 1:1	SHEET: 2 OF 2		



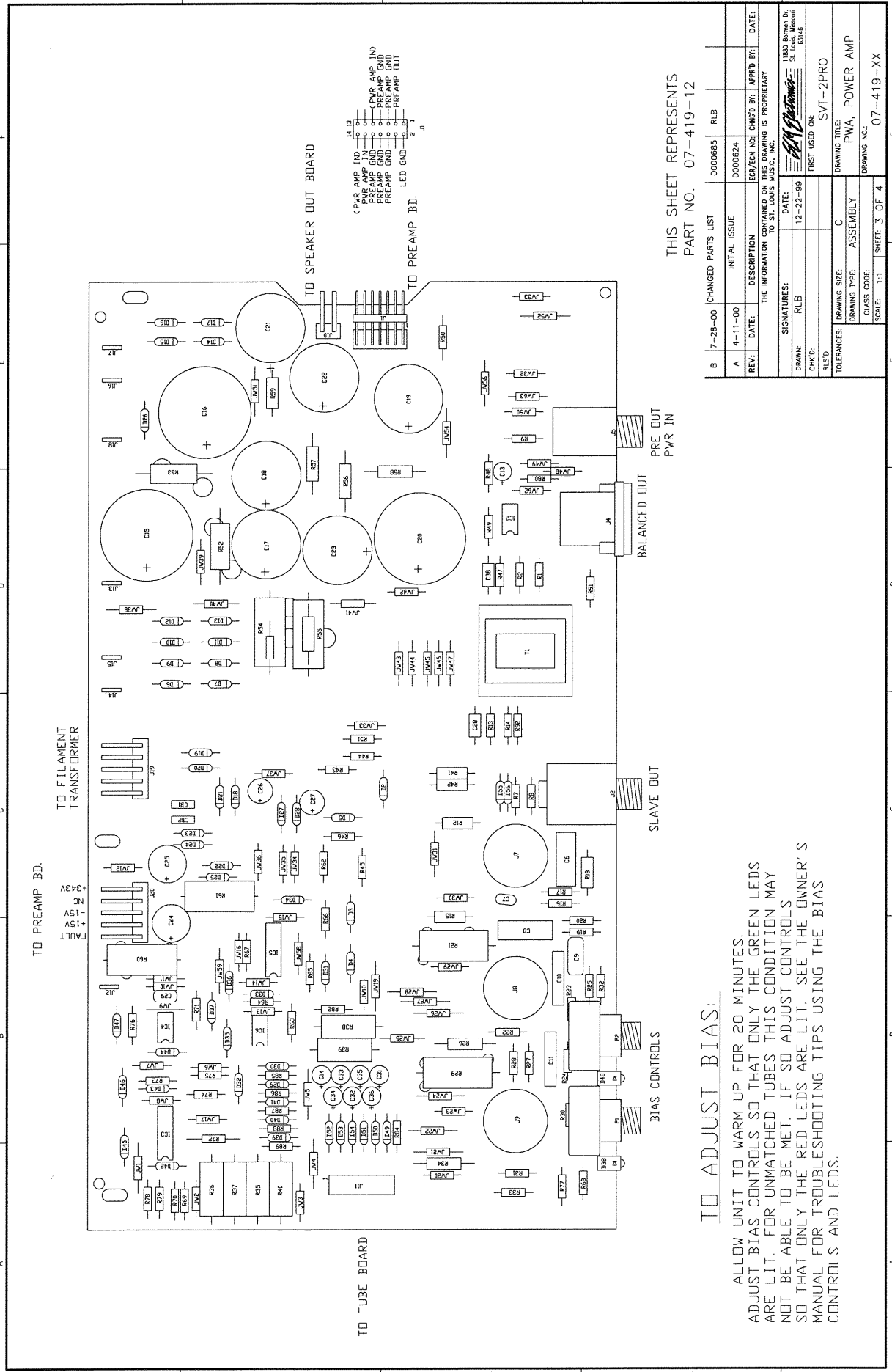
TO ADJUST BIAS:

ALLOW UNIT TO WARM UP FOR 20 MINUTES.
 ADJUST BIAS CONTROLS SO THAT ONLY THE GREEN LEADS
 ARE LIT. FOR UNMATCHED TUBES THIS CONDITION MAY
 NOT BE ABLE TO BE MET. IF SO ADJUST CONTROLS
 SO THAT ONLY THE RED LEADS ARE LIT. SEE THE OWNER'S
 MANUAL FOR TROUBLESHOOTING TIPS USING THE BIAS
 CONTROLS AND LEADS.

THIS DRAWING SUPERSEDES 07-419-03/11

PART NO. IS 07-419-04

REV:	DATE:	DESCRIPTION:	CHG'D BY:	APPR'D BY:	DATE:
A	4-11-00	INITIAL ISSUE			
B	7-28-00	CHANGED PARTS LIST			
THE INFORMATION CONTAINED ON THIS DRAWING IS PROPRIETARY TO S.L. LOUIS MUSIC, INC.					
DRAWN:	CHK'D:	DATE:	FIRST USED ON:		
RLB	RLB	12-22-99	SVT-2PRO		
DRAWING TITLE: PWA, POWER AMP					
DRAWING NO.: 07-419-XX					
SCALE: 1:1 SHEET: 1 OF 4					



THIS SHEET REPRESENTS
PART NO. 07-419-12

REV.	DATE	DESCRIPTION	CHK'D BY	APP'D BY	DATE
B	7-28-00	CHANGED PARTS LIST	D000685	RLB	
A	4-11-00	INITIAL ISSUE	D000624		

SIGNATURES:		DATE:
DRWING:	RLB	12-22-99
CHK'D:	RLB	
APP'D:		

TOLERANCES:		DRAWING TYPE:	DRAWING TITLE:
ASSEMBLY	C	ASSEMBLY	PWA, POWER AMP
CLASS CODE:			
SCALE:	1:1	SHEET:	3 OF 4

FIRST USED ON:	
SVT-2PRO	

DRAWING NO.:	
07-419-XX	

TO ADJUST BIAS:

ALLOW UNIT TO WARM UP FOR 20 MINUTES.
ADJUST BIAS CONTROLS SO THAT ONLY THE GREEN LEDS
ARE LIT. FOR UNMATCHED TUBES THIS CONDITION MAY
NOT BE ABLE TO BE MET. IF SO ADJUST CONTROLS
SO THAT ONLY THE RED LEDS ARE LIT. SEE THE OWNER'S
MANUAL FOR TROUBLESHOOTING TIPS USING THE BIAS
CONTROLS AND LEDS.

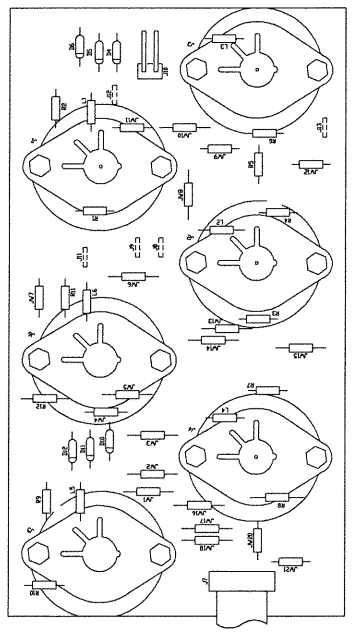
DESIGNATOR	PART #	DESCRIPTION	B	C	D	E	F
C6	10-104-10	0.1	D32	21A407-01	IN4007	R1	78-047-05
C7	10R500-02	50pF	D34	21A407-01	IN4007	R2	78-131-01
C8	0.1	400V	D35	21A407-01	IN4007	R7	76-102-01
C9	10-104-10	0.1	D36	21A444-01	IN4744	R8	76-102-01
C10	10-473-10	0.200V	D37	21A444-01	IN4744	R9	76-102-01
C11	10-473-10	0.047	D38	21A407-01	IN4007	R12	76-102-01
C12	10-473-10	0.047	D39	21A407-01	IN4007	R13	76-102-01
C13	12R106-35	10uF	D40	21A407-01	IN4007	R14	76-102-01
C14	12R105-50	1uF	D42	21A914-01	IN914	R15	76-102-01
C15	12-107-30	100	D43	21A914-01	IN914	R16	76-102-01
C16	12-107-30	100	D44	21A914-01	IN914	R17	76-102-01
C17	12-476-42	47	D45	21A914-01	IN914	R18	76-102-01
C18	12-476-42	47	D46	21A914-01	IN914	R19	76-102-01
C19	12-476-42	47	D47	21A914-01	IN914	R20	76-102-01
C20	12-107-30	100	D48	21A914-01	IN914	R21	76-102-01
C21	12-476-42	47	D49	21A914-01	IN914	R22	76-102-01
C22	12-476-42	47	D50	21A914-01	IN914	R23	76-102-01
C23	12-107-30	100	D51	21A370-01	IN3070	R24	76-102-01
C24	12R227-32	220	D52	21A370-01	IN3070	R25	76-102-01
C25	12R227-32	220	D53	21A370-01	IN3070	R26	76-102-01
C26	12R227-12	220	D54	21A370-01	IN3070	R27	76-102-01
C27	12R227-12	220	D55	21A370-01	IN3070	R28	76-102-01
C28	10A473-11	0.047	D56	21A370-01	IN3070	R29	76-102-01
C29	10A473-03	0.047	D56	21A370-01	IN3070	R30	76-102-01
C31	12R106-35	10uF	IC2	37-072-01	TL072	R31	76-154-01
C32	12R106-35	10uF	IC3	37-074-01	TL074	R32	76-154-01
C33	12R106-35	10uF	IC4	37-072-01	TL072	R33	76-154-01
C34	12R106-35	10uF	IC5	37-074-01	TL074	R34	76-154-01
C35	12R106-35	10uF	IC6	37-072-01	TL072	R35	76-154-01
C36	12R106-35	10uF	IC6	37-072-01	TL072	R36	76-154-01
C37	10A104-01	0.1uF	J1	17-101-14	14PIN	R37	76-100-92
C38	10A104-01	0.1uF	J2	39-116-01	T/S	R38	78-100-92
D2	21A914-01	IN914	J4	39-125-01	JACK	R39	78-100-92
D3	21A370-01	IN3070	J5	17-450-09	9PIN	R40	78-100-92
D4	21A370-01	IN3070	J6	17-450-09	9PIN	R41	78-100-92
D5	21A914-01	IN914	J7	17-311-02	2PIN	R42	78-100-92
D6	21A407-01	IN4007	J8	17-101-16	16PIN	R43	78-100-92
D7	21A407-01	IN4007	J9	17-836-01	TAB	R44	76-222-01
D8	21A407-01	IN4007	J10	17-836-01	TAB	R45	76-222-01
D9	21A407-01	IN4007	J11	17-836-01	TAB	R46	76-222-01
D10	21A407-01	IN4007	J12	17-836-01	TAB	R47	76-222-01
D11	21A407-01	IN4007	J13	17-836-01	TAB	R48	76-222-01
D12	21A407-01	IN4007	J14	17-836-01	TAB	R49	76-222-01
D13	21A407-01	IN4007	J15	17-836-01	TAB	R50	76-222-01
D14	21A407-01	IN4007	J16	17-836-01	TAB	R51	76-222-01
D15	21A407-01	IN4007	J17	17-836-01	TAB	R52	76-222-01
D16	21A407-01	IN4007	J18	17-836-01	TAB	R53	76-222-01
D17	21A407-01	IN4007	J19	17-836-01	TAB	R54	76-222-01
D18	21A407-01	IN4007	J20	17-311-05	5PIN	R55	76-222-01
D19	21A407-01	IN4007	J20	17-311-05	5PIN	R56	76-222-01
D20	21A407-01	IN4007	JW1-JW54	76-000-05	JUMPER	R57	76-222-01
D21	21A407-01	IN4007	JW56	76-000-05	JUMPER	R58	76-222-01
D22	21A407-01	IN4007	JW58-JW59	76-000-05	JUMPER	R59	76-222-01
			JW62-JW63	76-000-05	JUMPER	R60	76-222-01
						R61	78-047-05
						R62	78-131-01
						R63	76-102-01
						R64	76-102-01
						R65	76-102-01
						R66	76-102-01
						R67	76-133-01
						R68	76-682-01
						R69	76-222-01
						R70	76-222-01
						R71	76-151-01
						R72	76-102-01
						R73	76-131-01
						R74	76-102-01
						R75	76-102-01
						R76	76-102-01
						R77	76-133-01
						R78	76-222-01
						R79	76-222-01
						R80	76-105-01
						R82	76-333-01
						R84	76-222-01
						R85	76-222-01
						R86	76-222-01
						R87	76-222-01
						R88	76-555-01
						R89	76-555-01
						R91	76-221-01
						R92	76-221-01
						R60	76-105-01
						R82	76-333-01
						R84	76-222-01
						R85	76-222-01
						R86	76-222-01
						R87	76-222-01
						R88	76-555-01
						R89	76-555-01
						R91	76-221-01
						R92	76-221-01
						R60	76-105-01
						R82	76-333-01
						R84	76-222-01
						R85	76-222-01
						R86	76-222-01
						R87	76-222-01
						R88	76-555-01
						R89	76-555-01
						R91	76-221-01
						R92	76-221-01

THIS SHEET REPRESENTS
PART NO. 07-419-12

REV:	DATE:	DESCRIPTION:	EDY/EN MD	CHNGD BY:	APPRD BY:	DATE:
B	7-28-00	CHANGED PARTS LIST				
A	4-11-00	INITIAL ISSUE				
THE INFORMATION CONTAINED ON THIS DRAWING IS PROPRIETARY TO SULLINS INDUSTRIES, INC.						
DRAWN:	R/LB	DATE:	12-22-99	FIRST USED ON:		
CHK'D:		DATE:		DRAWING TITLE:		
INSTR:		DATE:		DRAWING NO.:		
TOLERANCES:		DRAWING SIZE:	C	DRAWING TITLE:		
		DRAWING TYPE:	ASSEMBLY	DRAWING NO.:		
		CLASS CODE:		DRAWING NO.:		
		SCALE:	1:1	DRAWING NO.:		

* USES SPACERS

A B C D E



DESIGNATOR	PART #	DESCRIPTION	QTY	REV	DATE	BY	CHK'D	DESCRIPTION
D4	21A407-01	IN4007	6					
D5	21A407-01	IN4007	6					
D6	21A407-01	IN4007	6					
D10	21A407-01	IN4007	6					
D11	21A407-01	IN4007	6					
D12	21A407-01	IN4007	6					
J1	17-450-04	TUBE SOCKET	1					
J2	17-450-04	TUBE SOCKET	1					
J3	17-450-04	TUBE SOCKET	1					
J4	17-450-04	TUBE SOCKET	1					
J5	17-450-04	TUBE SOCKET	1					
J6	17-450-04	TUBE SOCKET	1					
J7	99-135-11	RIBBON CABLE	1					
J8	17-836-01	TAB	1					
J9	17-836-01	TAB	1					
J10	17-311-02	2PIN R/A-HEADER	1					
J11	17-836-01	TAB	1					
J12	17-836-01	TAB	1					
J13	17-836-01	TAB	1					
V1	97-950-01	GRADED 6S50A TUBE	1					
V2	97-950-01	GRADED 6S50A TUBE	1					
V3	97-950-01	GRADED 6S50A TUBE	1					
V4	97-950-01	GRADED 6S50A TUBE	1					
V5	97-950-01	GRADED 6S50A TUBE	1					
V6	97-950-01	GRADED 6S50A TUBE	1					
JW1-18	76-000-05	JUMPER	1					
JW20-21	76-000-05	JUMPER	1					
L1	94A001-01	FERRITE BEAD	1					
L2	94A001-01	FERRITE BEAD	1					
L3	94A001-01	FERRITE BEAD	1					
L4	94A001-01	FERRITE BEAD	1					
L5	94A001-01	FERRITE BEAD	1					
L6	94A001-01	FERRITE BEAD	1					
B1	76-473-01	47K	1					
B2	76-221-03	220 1/2W FP	1					
B3	76-473-01	47K	1					
B4	76-221-03	220 1/2W FP	1					
B5	76-473-01	47K	1					
B6	76-221-03	220 1/2W FP	1					
B7	76-473-01	47K	1					
B8	76-221-03	220 1/2W FP	1					
B9	76-473-01	47K	1					
B10	76-221-03	220 1/2W FP	1					
B11	76-473-01	47K	1					
B12	76-221-03	220 1/2W FP	1					
PCB1	06A419-41	PC BOARD	1					
(12)	30-700-01	6-32 HEX NUT ASSY.	12					
(12)	85-125-01	6-32x1/2" ALUM M/F HEX STNDDFF	12					
(1)	51-406-72	PLATE	1					
(6)	51-032-01	TUBE RETAINER	6					

REV	DATE	BY	CHK'D	DESCRIPTION
5	11/14/00	WFB		CHSS PER N00435 DEL 6 DIODES, CHG VAL 6 RESISTORS MOVED 30-637-02 TO FINAL ASSEMBLY PER ECO 980466.
4	07/27/98	MAG		
3	08/30/96	LMA		DEL 30-637-01(12) ADD 30-637-02(12) E960333
2	05/16/94	LMA		76-000-01 TO -05 PER E150
1	12-09-93	ERW		CHANGED J1 - J6 TO 17-450-04.

SIGNATURES:	DATE:	DESCRIPTION:
ERW	3/29/93	
CHK'D:		
APP'D:		
ORIGINAL ISSUED:		
PLOT DATE:	08/14/98	
PLOT TIME:	14:00:39	
FILE NAME:	41941p5-	

PROJECT NAME:	SVT-2 PRO
DRAWING NAME:	TUBE BRD. PICTORIAL
REV. 5	DRAWING NO. 07P419-41
SCALE: NONE	SHEET: 1 OF 1

1 2 3 4