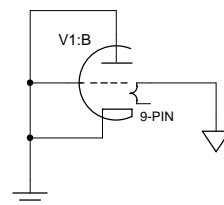
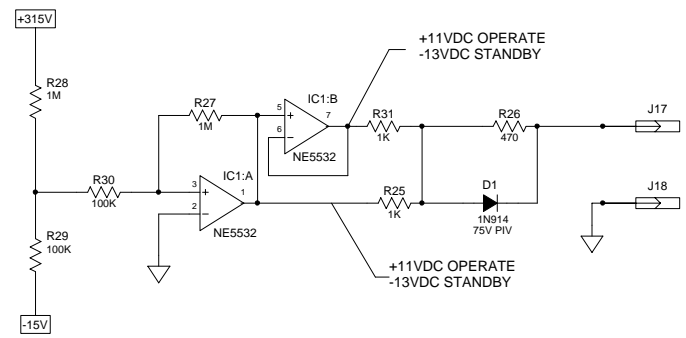
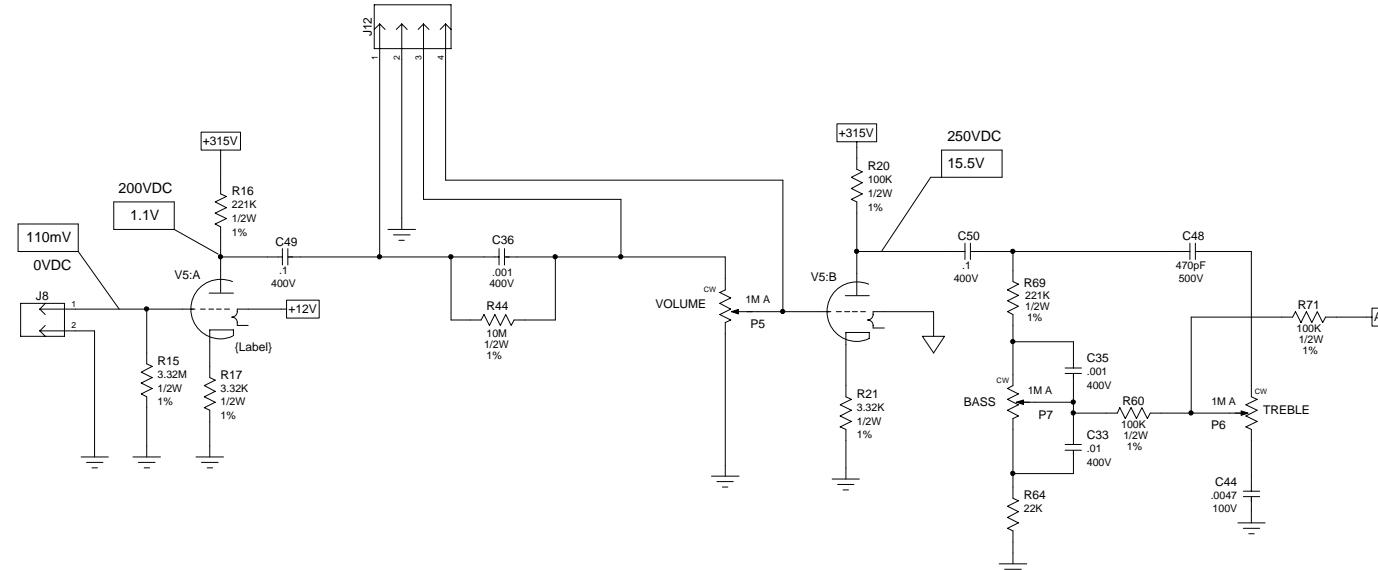
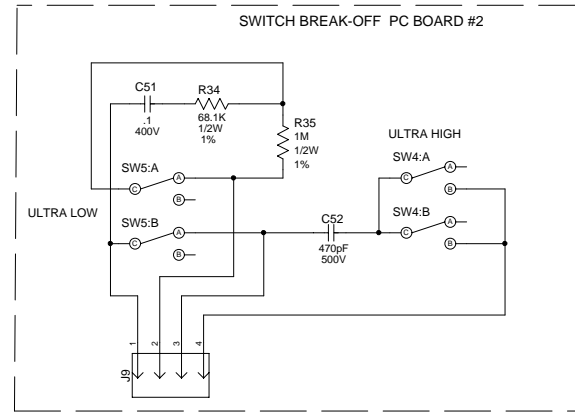
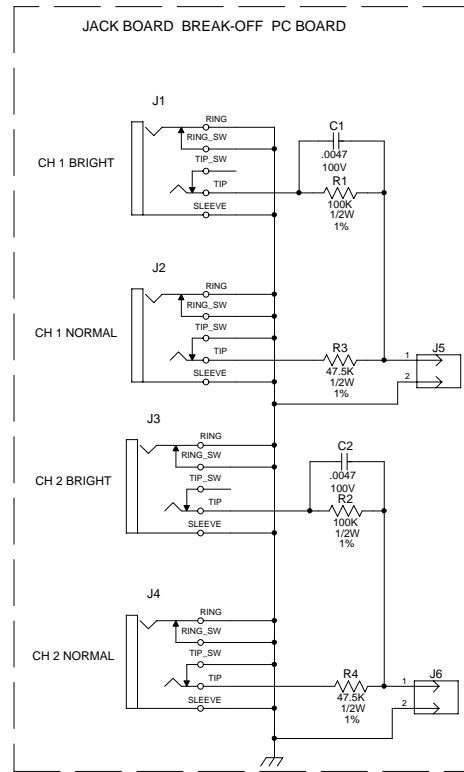


CAUTION:
 THIS SCHEMATIC IS PROVIDED FOR USE BY QUALIFIED PERSONNEL.
 TO AVOID RISK OF ELECTRIC SHOCK, REFER SERVICING TO QUALIFIED
 SERVICE PERSONNEL. DO NOT PERFORM ANY SERVICING BEYOND
 THAT EXPLAINED IN THE OPERATING INSTRUCTIONS.

- NOTES:**
- 1) CAUTION: SHOCK HAZARD!!
 THIS UNIT CONTAINS HAZARDOUS VOLTAGE. DISCONNECT POWER
 AND BE SURE POWER SUPPLY IS DISCHARGED BEFORE
 TOUCHING INTERNAL PARTS.
 - 2) UNLESS NOTED, RESISTOR VALUES IN OHMS, 1/10W-5% TOL.
 CAPACITOR VALUES IN MICROFARADS, 50V-10% TOL.
 - 3) VOLTAGES ARE MEASURED WITH 1 MEGOHM OSCILLOSCOPE
 AND 10 MEGOHM DIGITAL VOLTMETER.



B	05/1/06	CHG CAP VALUES FM .22 TO .1	R01922	WFB		
A	3-7-06	INITIAL ISSUE				
REV	Date	DESCRIPTION	Ecr(s)/Ecn(s)	Chgd By	Appvd by	Date
THE INFORMATION CONTAINED ON THIS DRAWING IS PROPRIETARY TO ST. LOUIS MUSIC, INC.						
Signatures:			Date:		 1901 Congressional, St. Louis, MO 63146	
Drawn: REM			8/25/05			
Checked:					First Used On:	
Released:						
Plot Date: Thu May 11, 2006		Drawing Size: C		Drawing Title:		
Plot Time: 14:38:00		Drawing Type: Schematic		BASS AMP		
Tolerance:		Class Code: NONE		Drawing Number:		
		Sheet 1 of 2		07S598		



CAUTION:
THIS SCHEMATIC IS PROVIDED FOR USE BY QUALIFIED PERSONNEL TO AVOID RISK OF ELECTRIC SHOCK, REFER SERVICING TO QUALIFIED SERVICE PERSONNEL. DO NOT PERFORM ANY SERVICING BEYOND THAT EXPLAINED IN THE OPERATING INSTRUCTIONS.

NOTES:
1) CAUTION: SHOCK HAZARD!! THIS UNIT CONTAINS HAZARDOUS VOLTAGE. DISCONNECT POWER AND BE SURE POWER SUPPLY IS DISCHARGED BEFORE TOUCHING INTERNAL PARTS.
2) UNLESS NOTED, RESISTOR VALUES IN OHMS, 1/4W-5% TOL. CAPACITOR VALUES IN MICROFARADS, 50V-10% TOL.
3) VOLTAGES ARE MEASURED WITH 1 MEGOHM OSCILLOSCOPE AND 10 MEGOHM DIGITAL VOLTMETER.

4. VOLTAGES IN RECTANGLES ARE PEAK TO PEAK SIGNAL VOLTAGES. OTHER VOLTAGES ARE D.C.
5. TEST CONDITIONS: VOLUMES @ 10, TONES FLAT, AND SWITCHES @ CENTER OR LEFT.
6. CIRCUIT GND LED GND CHASSIS GND

REV	Date	DESCRIPTION	Ecr(s)/Ecn(s)	Chgd By	Appvd by	Date
B	05/11/06	CHG CAP VALUES FM .22 TO .1	R01922	WFB		
A	3-7-06	INITIAL ISSUE				

THE INFORMATION CONTAINED ON THIS DRAWING IS PROPRIETARY TO ST. LOUIS MUSIC, INC.

Signatures:		Date:
Drawn: REM		8/25/05
Checked:		
Released:		
Plot Date: Thu May 11, 2006	Drawing Size: C	Drawing Title: BASS AMP
Plot Time: 14:38:00	Drawing Type: Schematic	Drawing Number: 07S598
Tolerance:	Class Code: NONE	
	Sheet 2 of 2	

A

B

C

D

E

F

1

1

2

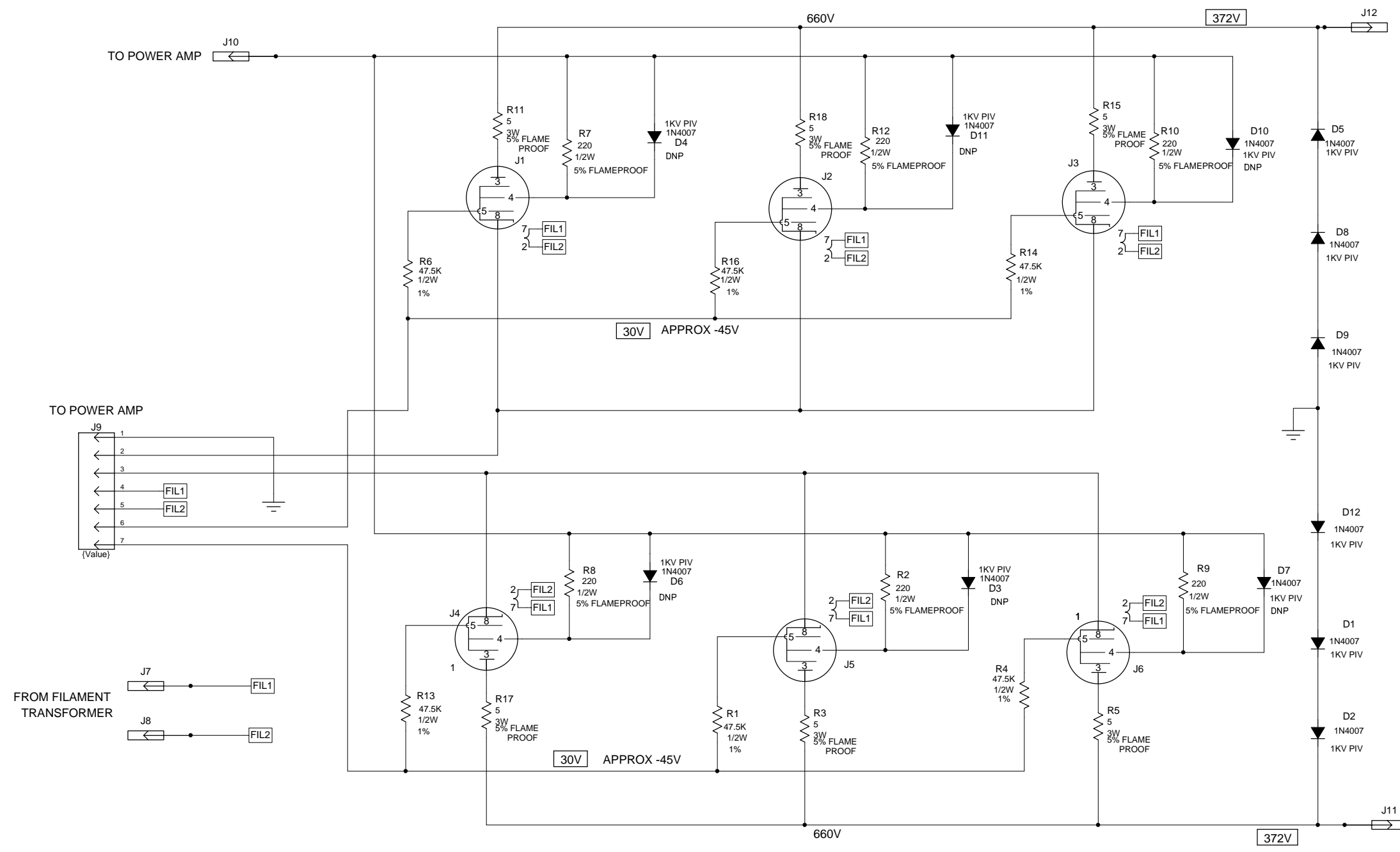
2

3

3

4

4



ASSY PART # 07-365-01

NOTE: D, 3, 4, 6, 7, 10, 11 ARE NOT USED AS INDICATED BY Do Not Place 'DNP'.

CAUTION:
 THIS SCHEMATIC IS PROVIDED FOR USE BY QUALIFIED PERSONNEL. TO AVOID RISK OF ELECTRIC SHOCK, REFER SERVICING TO QUALIFIED SERVICE PERSONNEL. DO NOT PERFORM ANY SERVICING BEYOND THAT EXPLAINED IN THE OPERATING INSTRUCTIONS.

NOTES:
 1) CAUTION: SHOCK HAZARD!! THIS UNIT CONTAINS HAZARDOUS VOLTAGE. DISCONNECT POWER AND BE SURE POWER SUPPLY IS DISCHARGED BEFORE TOUCHING INTERNAL PARTS.
 2) UNLESS NOTED, RESISTOR VALUES IN OHMS, 1/4W-5% TOL. CAPACITOR VALUES IN MICROFARADS, 50V-10% TOL.
 3) VOLTAGES ARE MEASURED WITH 1 MEGOHM OSCILLOSCOPE AND 10 MEGOHM DIGITAL VOLTMETER.

0	3/13/06	CONTROL ISSUE				
REV	Date	DESCRIPTION	Ecr(s)/Ecn(s)	Chgd By	Appvd by	Date
THE INFORMATION CONTAINED ON THIS DRAWING IS PROPRIETARY TO ST. LOUIS MUSIC, INC.						
Signatures:			Date:		 11880 Borman Drive, St. Louis, MO 63146	
Drawn: GM		08/17/05				
Checked:			Released:		First Used On:	
Plot Date: Thu Apr 20, 2006		Drawing Size: C		Drawing Title: SCHEMATIC - TUBE BD		
Plot Time: 14:10:56		Drawing Type: Schematic		Drawing Number: 07S365		
Tolerance:		Class Code: NONE		Sheet 1 of 1		

A

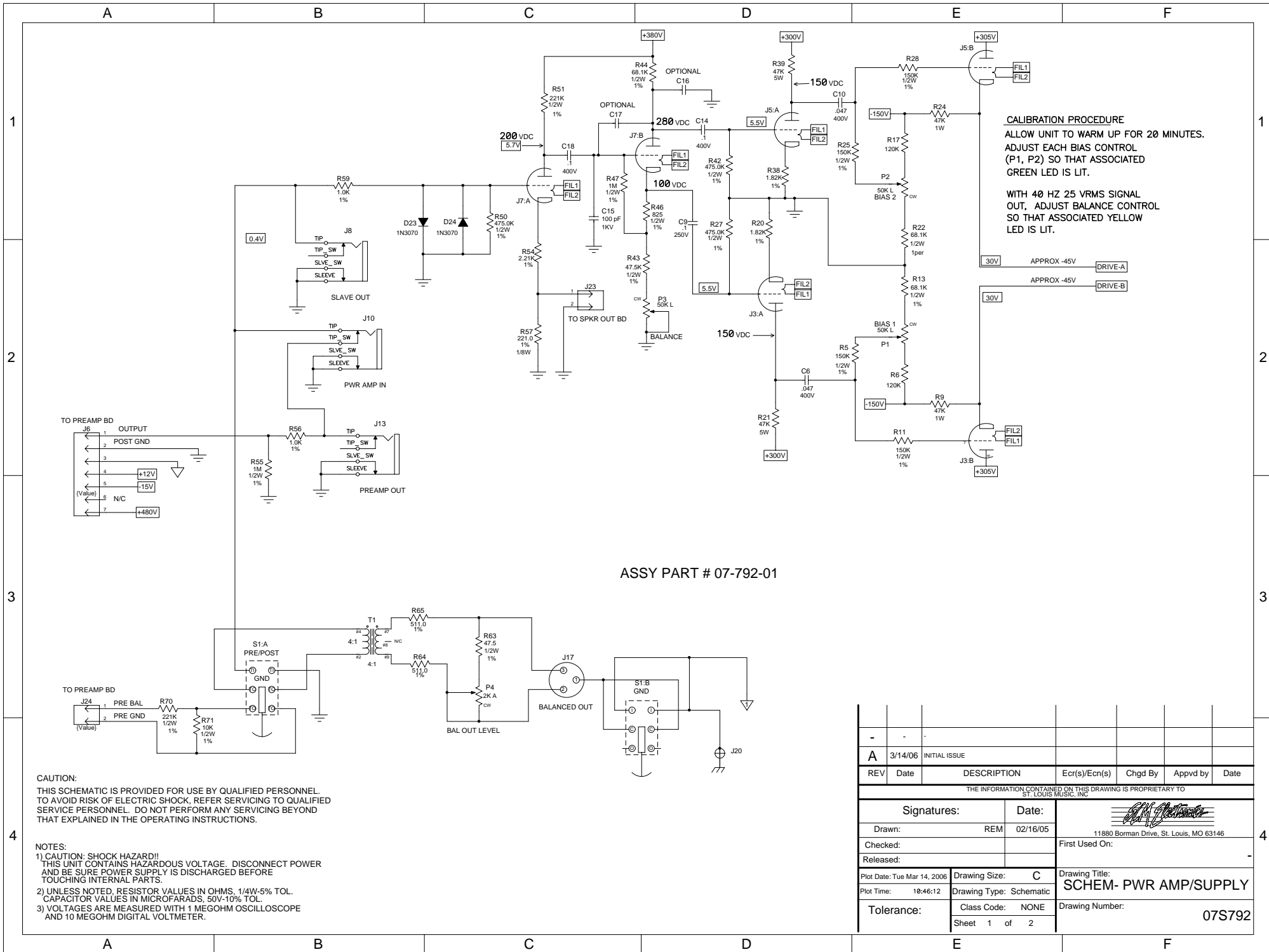
B

C

D

E

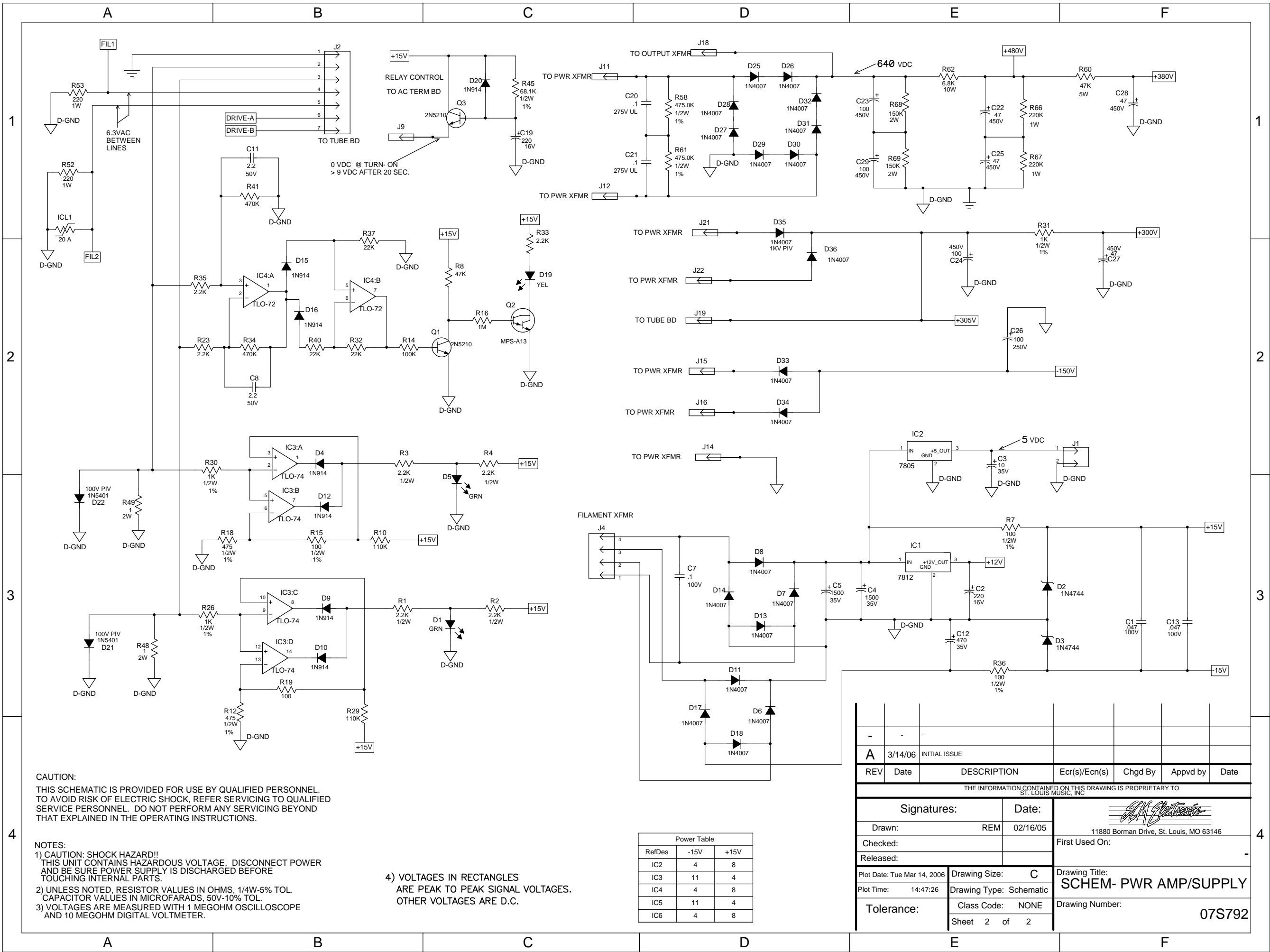
F



CAUTION:
 THIS SCHEMATIC IS PROVIDED FOR USE BY QUALIFIED PERSONNEL. TO AVOID RISK OF ELECTRIC SHOCK, REFER SERVICING TO QUALIFIED SERVICE PERSONNEL. DO NOT PERFORM ANY SERVICING BEYOND THAT EXPLAINED IN THE OPERATING INSTRUCTIONS.

- NOTES:**
- 1) CAUTION: SHOCK HAZARD!! THIS UNIT CONTAINS HAZARDOUS VOLTAGE. DISCONNECT POWER AND BE SURE POWER SUPPLY IS DISCHARGED BEFORE TOUCHING INTERNAL PARTS.
 - 2) UNLESS NOTED, RESISTOR VALUES IN OHMS, 1/4W-5% TOL. CAPACITOR VALUES IN MICROFARADS, 50V-10% TOL.
 - 3) VOLTAGES ARE MEASURED WITH 1 MEGOHM OSCILLOSCOPE AND 10 MEGOHM DIGITAL VOLTMETER.

REV	Date	DESCRIPTION	Ecr(s)/Ecn(s)	Chgd By	Appvd by	Date
A	3/14/06	INITIAL ISSUE				
THE INFORMATION CONTAINED ON THIS DRAWING IS PROPRIETARY TO ST. LOUIS MUSIC, INC.						
Signatures:		Date:		 11880 Borman Drive, St. Louis, MO 63146		
Drawn: REM		02/16/05				
Checked:				First Used On:		
Released:				Drawing Title:		
Plot Date: Tue Mar 14, 2006		Drawing Size: C		SCHEM- PWR AMP/SUPPLY		
Plot Time: 18:46:12		Drawing Type: Schematic		Drawing Number:		
Tolerance:		Class Code: NONE		07S792		
		Sheet 1 of 2				



CAUTION:
THIS SCHEMATIC IS PROVIDED FOR USE BY QUALIFIED PERSONNEL.
TO AVOID RISK OF ELECTRIC SHOCK, REFER SERVICING TO QUALIFIED
SERVICE PERSONNEL. DO NOT PERFORM ANY SERVICING BEYOND
THAT EXPLAINED IN THE OPERATING INSTRUCTIONS.

NOTES:
1) CAUTION: SHOCK HAZARD!!
THIS UNIT CONTAINS HAZARDOUS VOLTAGE. DISCONNECT POWER
AND BE SURE POWER SUPPLY IS DISCHARGED BEFORE
TOUCHING INTERNAL PARTS.
2) UNLESS NOTED, RESISTOR VALUES IN OHMS, 1/4W-5% TOL.
CAPACITOR VALUES IN MICROFARADS, 50V-10% TOL.
3) VOLTAGES ARE MEASURED WITH 1 MEGOHM OSCILLOSCOPE
AND 10 MEGOHM DIGITAL VOLTMETER.

4) VOLTAGES IN RECTANGLES
ARE PEAK TO PEAK SIGNAL VOLTAGES.
OTHER VOLTAGES ARE D.C.

RefDes	-15V	+15V
IC2	4	8
IC3	11	4
IC4	4	8
IC5	11	4
IC6	4	8

REV	Date	DESCRIPTION	Ecr(s)/Ecn(s)	Chgd By	Appvd by	Date
A	3/14/06	INITIAL ISSUE				
THE INFORMATION CONTAINED ON THIS DRAWING IS PROPRIETARY TO ST. LOUIS MUSIC, INC						
Signatures:		Date:		 11880 Borman Drive, St. Louis, MO 63146		
Drawn: REM		02/16/05				
Checked:				First Used On:		
Released:						
Plot Date: Tue Mar 14, 2006		Drawing Size: C		Drawing Title: SCHEM- PWR AMP/SUPPLY		
Plot Time: 14:47:26		Drawing Type: Schematic		Drawing Number: 07S792		
Tolerance:		Class Code: NONE		Sheet 2 of 2		