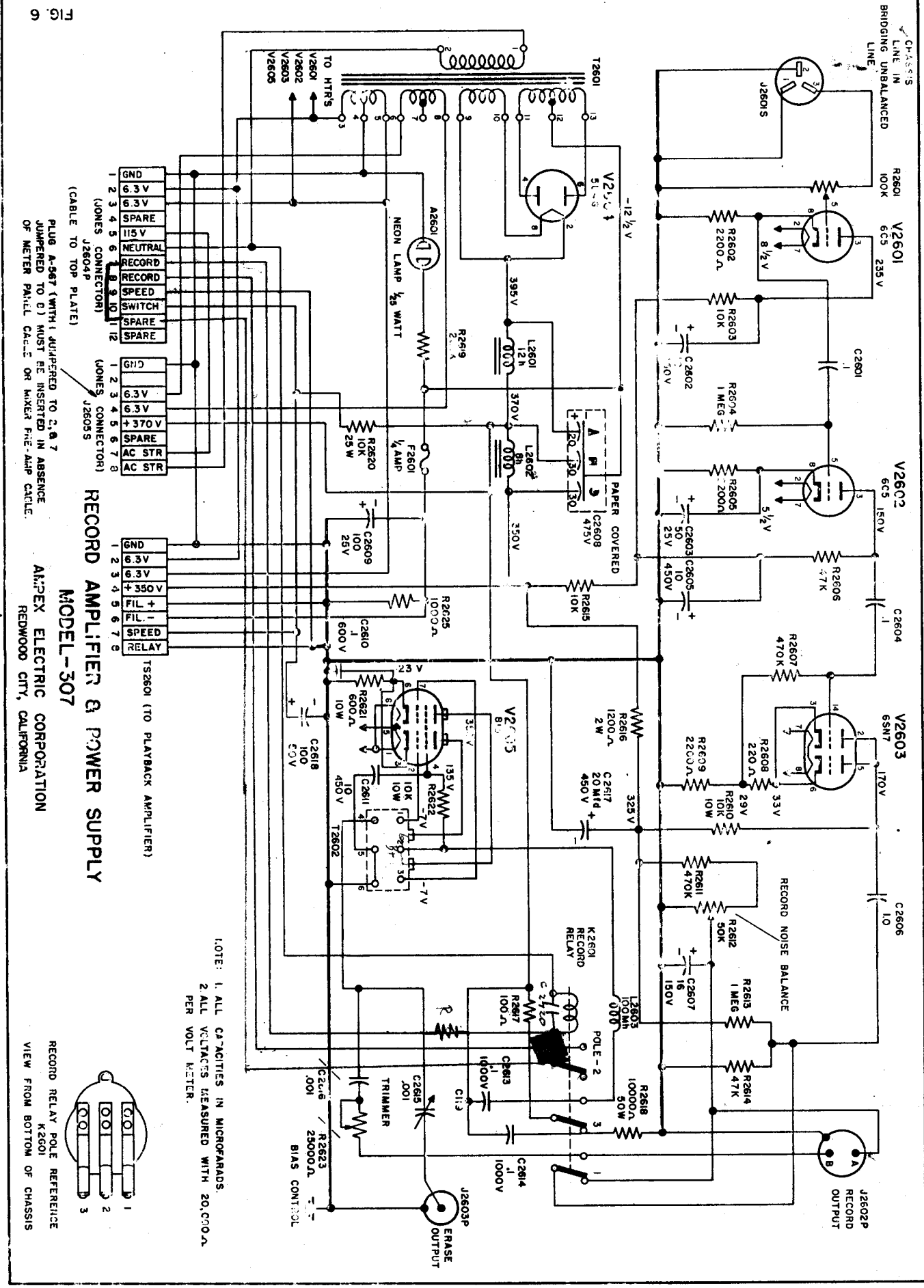
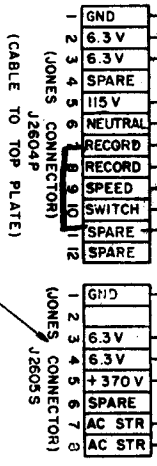


CHASSIS
LINE IN
BRIDGING UNBALANCED
LINE



NOTE: 1. ALL CAPACITIES IN MICROFARADS.
 2. ALL VOLTAGES MEASURED WITH 20,000Ω PER VOLT METER.

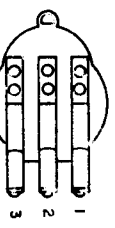


RECORD AMPLIFIER & POWER SUPPLY

MODEL-307

PLUG A-567 (WITH 4 JUMPERED TO 2, 3, 7 JUMPERED TO 6) MUST BE INSERTED IN ABSENCE OF METER PAIR-L CABLE OR METER PAIR-AMP CABLE.

AMPEX ELECTRIC CORPORATION
 REDWOOD CITY, CALIFORNIA

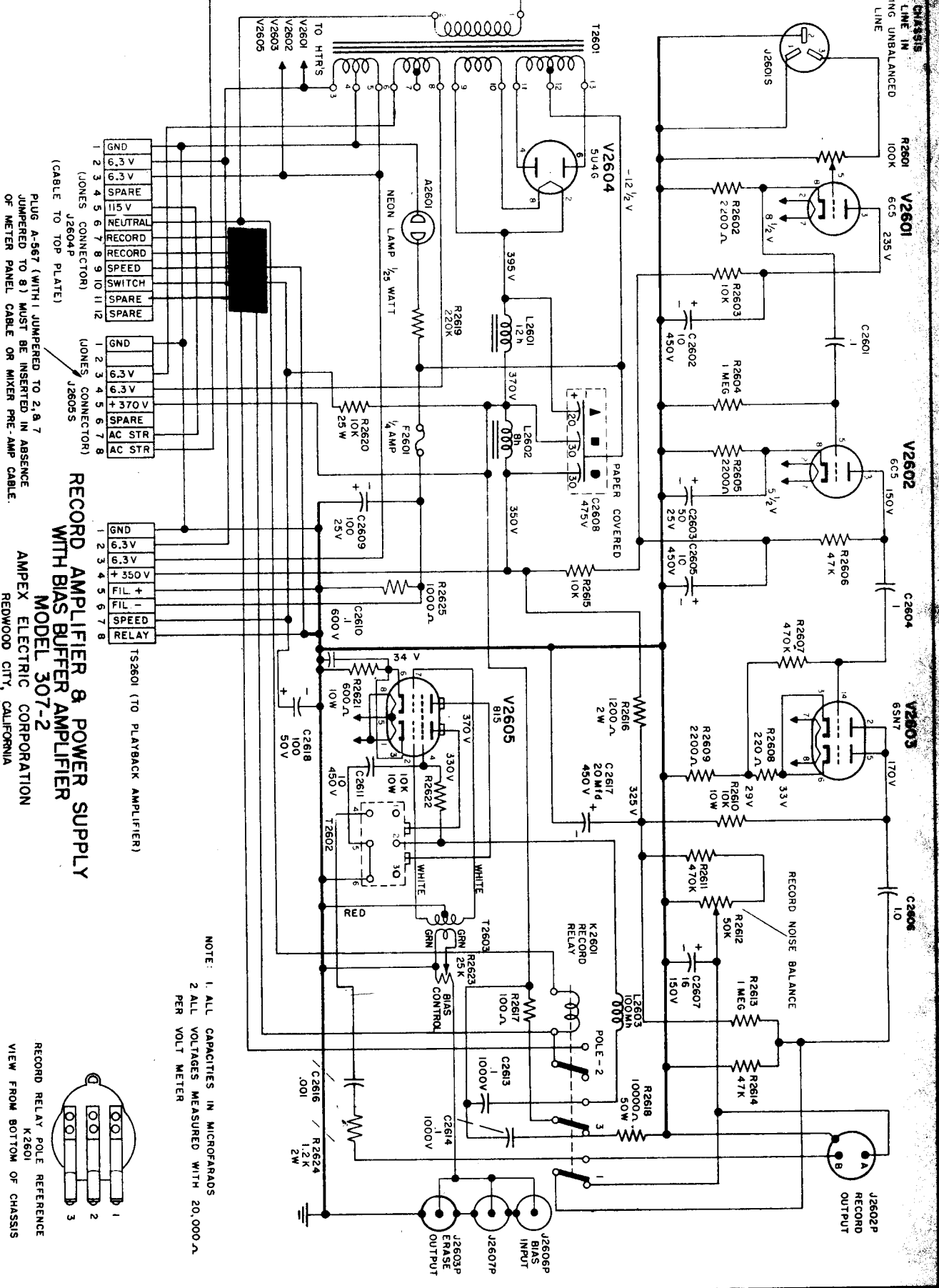


RECORD RELAY POLE REFERENCE VIEW FROM BOTTOM OF CHASSIS

FIG. 6

Red - Upper Head.

0.001V



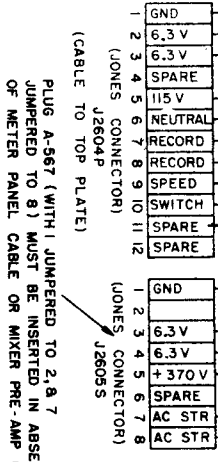
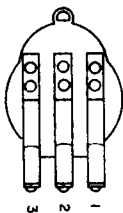
NOTE: 1. ALL CAPACITIES IN MICROFARADS
 2. ALL VOLTAGES MEASURED WITH 20,000-Ω PER VOLT METER

RECORD AMPLIFIER & POWER SUPPLY WITH BIAS BUFFER AMPLIFIER

MODEL 307-2

AMPEX ELECTRIC CORPORATION
 REDWOOD CITY, CALIFORNIA

RECORD RELAY POLE REFERENCE
 K2601
 VIEW FROM BOTTOM OF CHASSIS



PLUG A-567 (WITH I JUMPED TO 2, A, 7 JUMPED TO 8) MUST BE INSERTED IN ABSENCE OF METER PANEL CABLE OR MIXER PRE-AMP CABLE.