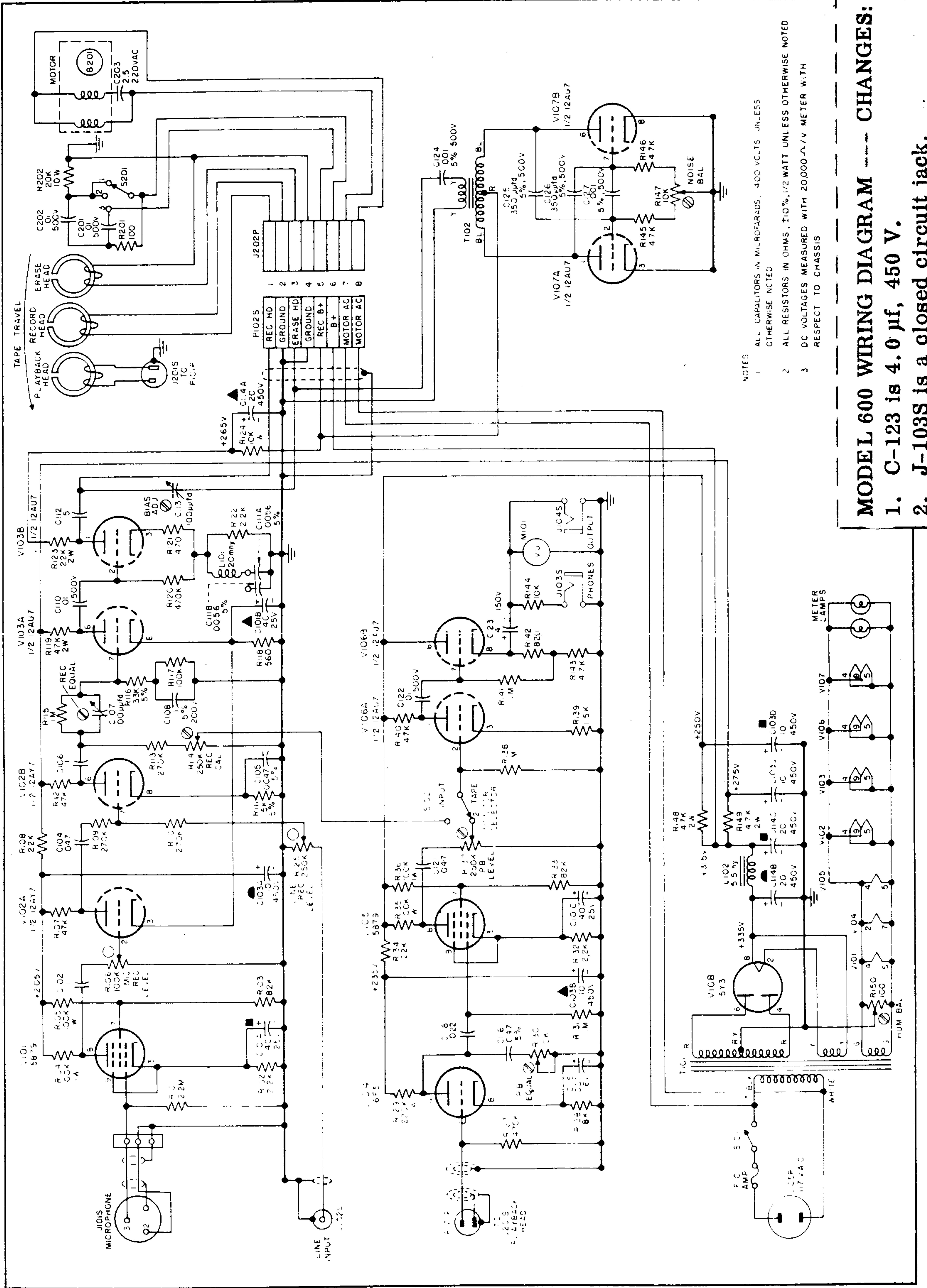


NOTES

- 1 ALL CAPACITORS IN MICROFARADS, 400 VOLTS UNLESS OTHERWISE NOTED
- 2 ALL RESISTORS IN OHMS, 10%, 1/2 WATT UNLESS OTHERWISE NOTED
- 3 DC VOLTAGES MEASURED WITH 20K OHMS/VOLT METER WITH RESPECT TO CHASSIS
- 4 NEUTRAL 1, PLAY 2, RECORD 3

AMPEX MODEL 600 MAGNETIC TAPE RECORDER (CIRCA 1955)

REDRAWN 05 MAY 2002 by MIKE ADAMS



- NOTES
- 1 ALL CAPACITORS IN MICROFARADS. 400 VOLTS UNLESS OTHERWISE NOTED
 - 2 ALL RESISTORS IN OHMS, 10%, 1/2 WATT UNLESS OTHERWISE NOTED
 - 3 DC VOLTAGES MEASURED WITH 20,000-Ω/V METER WITH RESPECT TO CHASSIS

MODEL 600 WIRING DIAGRAM --- CHANGES:

1. C-123 is 4.0 μf, 450 V.
2. J-103S is a closed circuit jack.
3. C-111A is .0047 μf.