

Fig 7-5. Model 602 Schematic Diagram

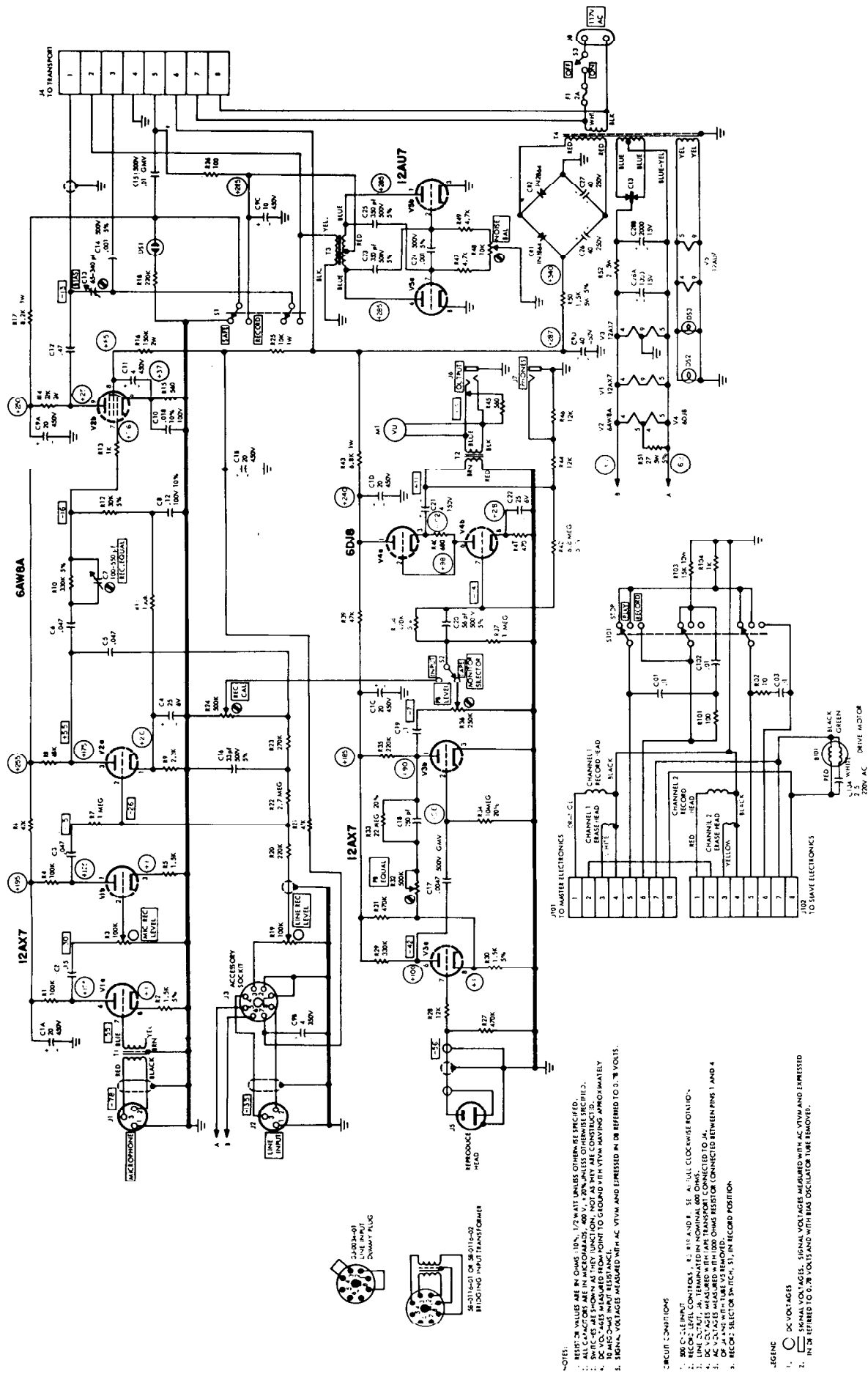


Fig. 7-6. Model 602-2 Master Schematic Diagram

- NOTES:
1. RESISTOR VALUES ARE IN OHMS, 10%, 1/2 WATT UNLESS OTHERWISE SPECIFIED.
 2. ALL CAPACITORS ARE IN MICROFARADS, 500 V, 1.0% UNLESS OTHERWISE SPECIFIED.
 3. DC VOLTAGES MEASURED FROM POINT TO GROUND WITH VTVM HAVING APPROXIMATELY 10 MEG OHM INPUT RESISTANCE.
 4. AC VOLTAGES MEASURED WITH 1000 OHMS RESISTOR CONNECTED BETWEEN PINS 1 AND 4 OF J1 AND WITH TUBE V5 REMOVED.
 5. SIGNAL VOLTAGES MEASURED WITH AC VTVM AND EXPRESSED IN DB REFERRED TO 0.775 VOLTS.

CIRCUIT CONDITIONS

1. 500 C-151 PLUG
2. RECORD LEVEL CONTROLS, REVERSE AND F, SET AT FULL CLOCKWISE POSITION*
3. LINE INPUT SWITCH, POSITIONED WITH LINE TRANSPORT CONNECTED TO J4.
4. AC VOLTAGES MEASURED WITH 1000 OHMS RESISTOR CONNECTED BETWEEN PINS 1 AND 4 OF J1 AND WITH TUBE V5 REMOVED.
5. RECORD SELECTOR SWITCH, IN RECORD POSITION.

LEGEND

1. DC VOLTAGES
2. SIGNAL VOLTAGES
3. SIGNAL VOLTAGES MEASURED WITH AC VTVM AND EXPRESSED IN DB REFERRED TO 0.775 VOLTS AND WITH OSCILLATOR TUBE REMOVED.

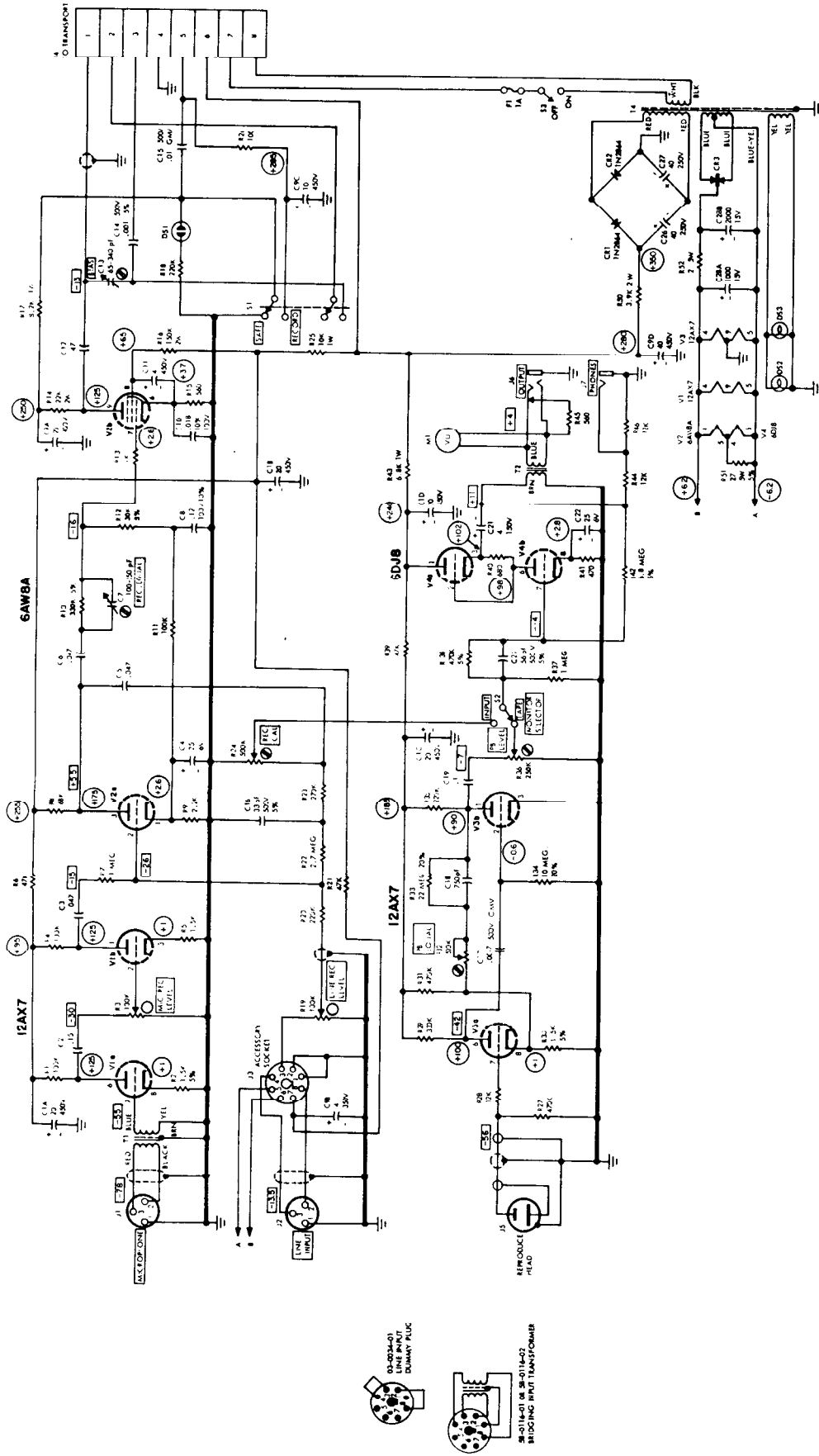


Fig. 7-7. Model 602-2 Slave Schematic Diagram