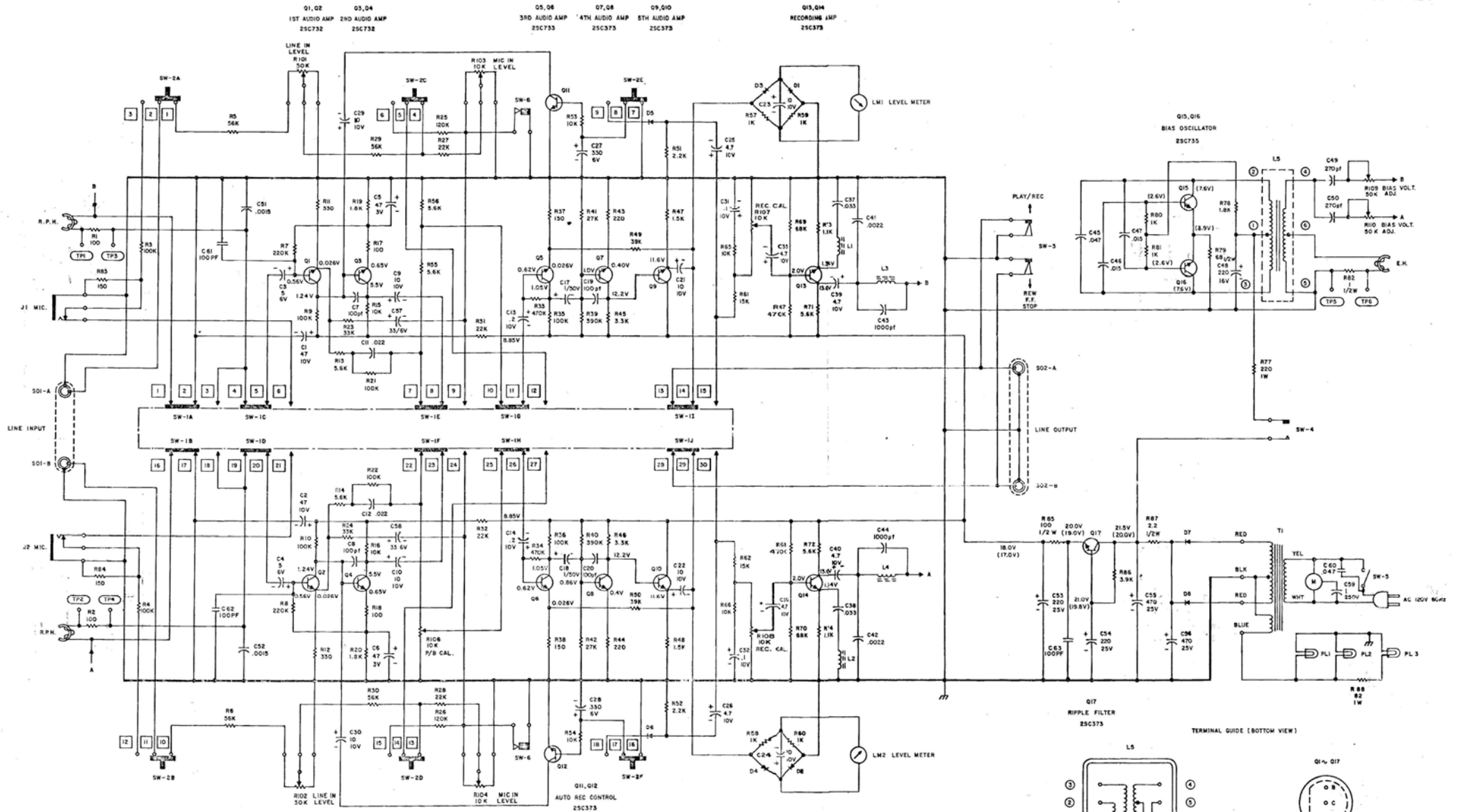
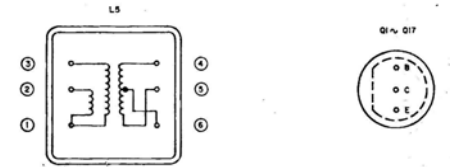
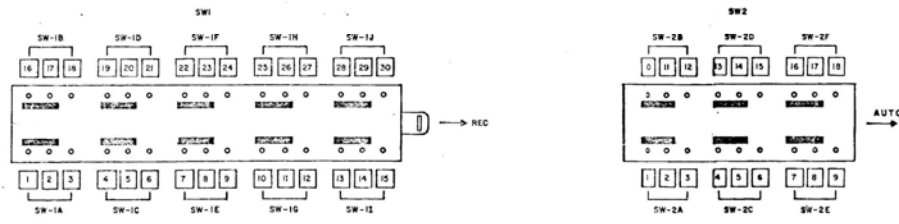


ELECTRICAL SCHEMATIC DIAGRAMS



- NOTES:
1. SW-1 - RECORD PLAYBACK SWITCH SHOWN IN PLAYBACK POSITION.
 2. SW-2 - REC/LEVEL SWITCH SHOWN IN MANUAL POSITION.
 3. SW-3 - MUTING SWITCH SHOWN IN ON POSITION.
 4. SW-4 - BIAS ON-OFF SWITCH SHOWN IN OFF POSITION.
 5. SW-5 - AC POWER SWITCH.
 6. SW-6 MIXING SWITCH SHOWN IN PLAYBACK POSITION.
 7. ALL RESISTORS ARE 1/4W UNLESS OTHERWISE NOTED.
 8. ALL CAPACITORS ARE .05V UNLESS OTHERWISE NOTED.
 9. VOLTAGE IN PARENTHESES TAKEN WITH SW-1 IN RECORDING POSITION.
 10. VOLTAGE WITHOUT PARENTHESES TAKEN WITH SW-1 IN PLAYBACK POSITION.



Micro 52 Schematic Diagram.