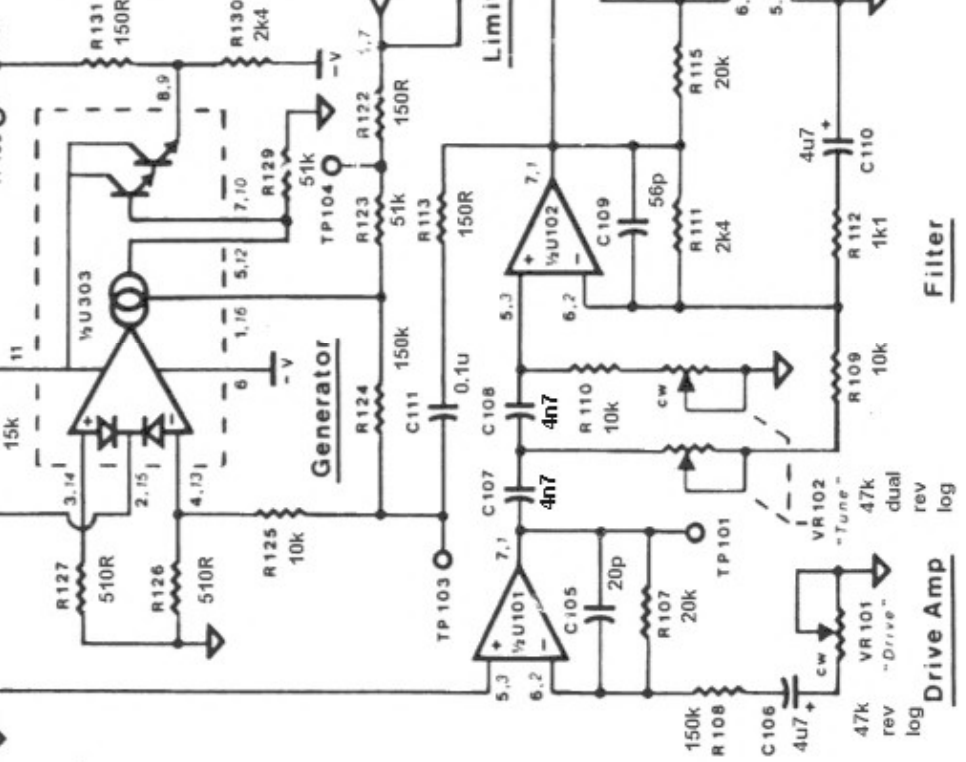


U104 = LM324  
 U101-3 = TL072  
 U303 = LM13700  
 D101-108 = 1N914

**Audio**



**Drive Amp**

**Filter**

**Limiter Driver**

**Rectifier**