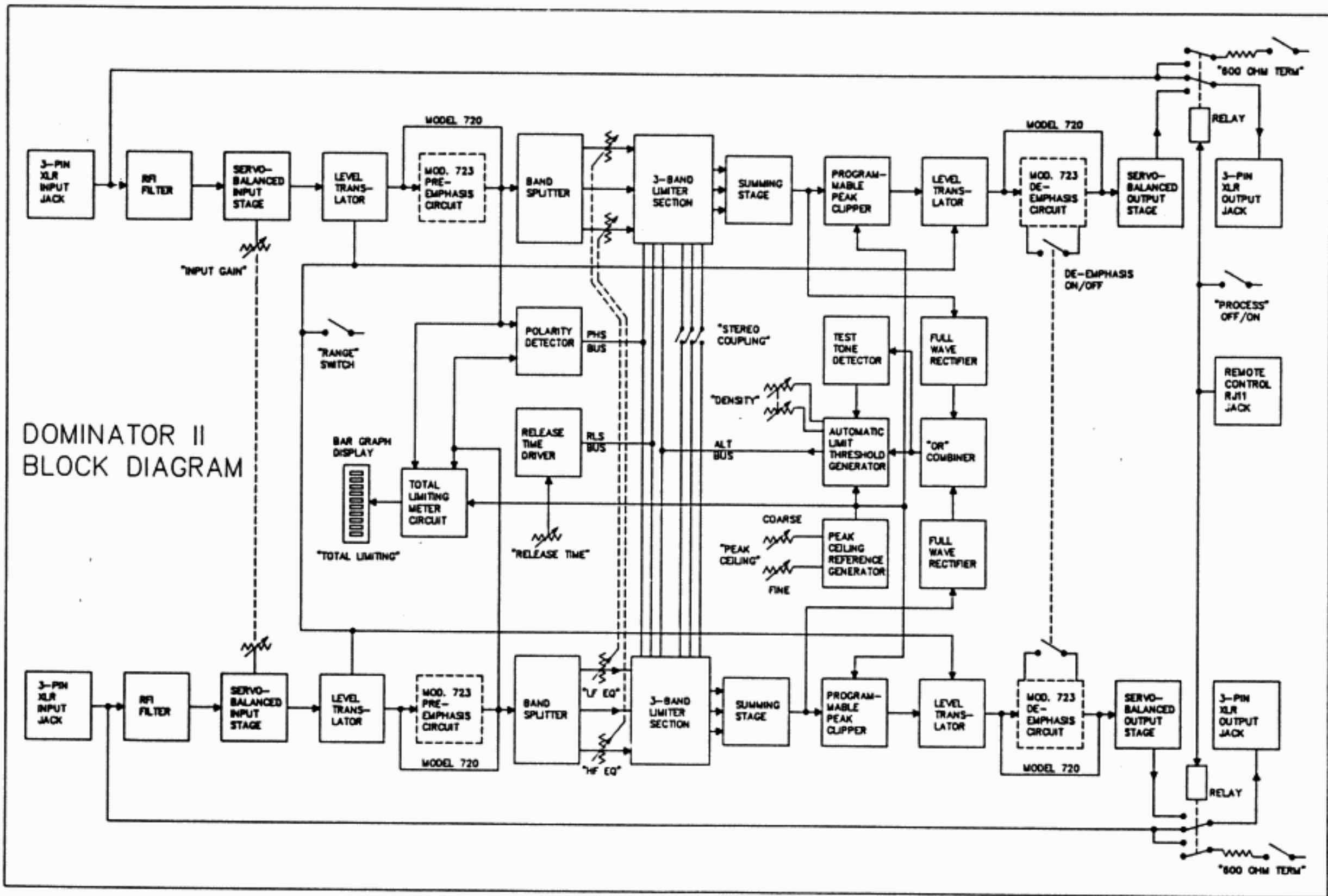
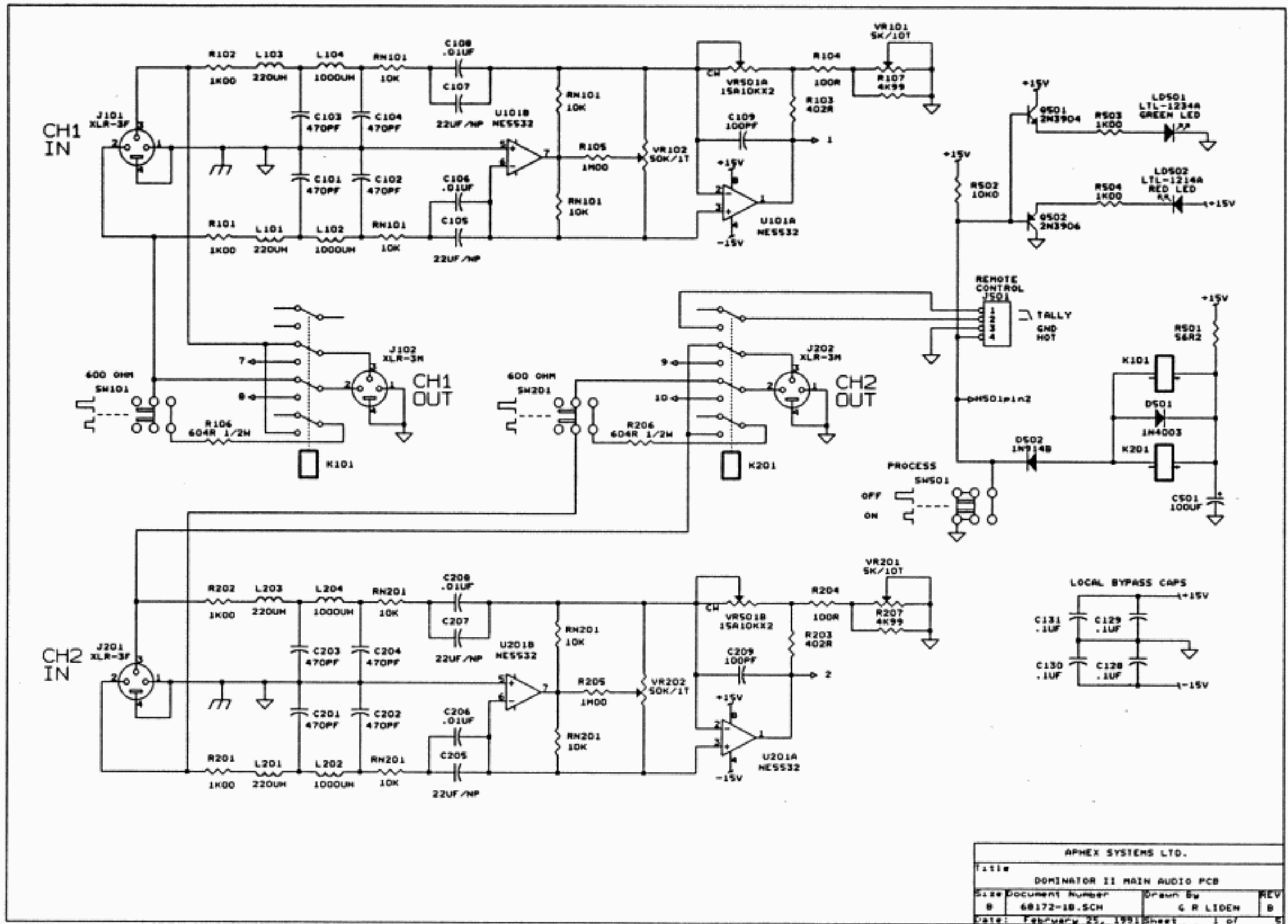


10.0 SCHEMATICS 10.1 DOMINATOR II BLOCK DIAGRAM

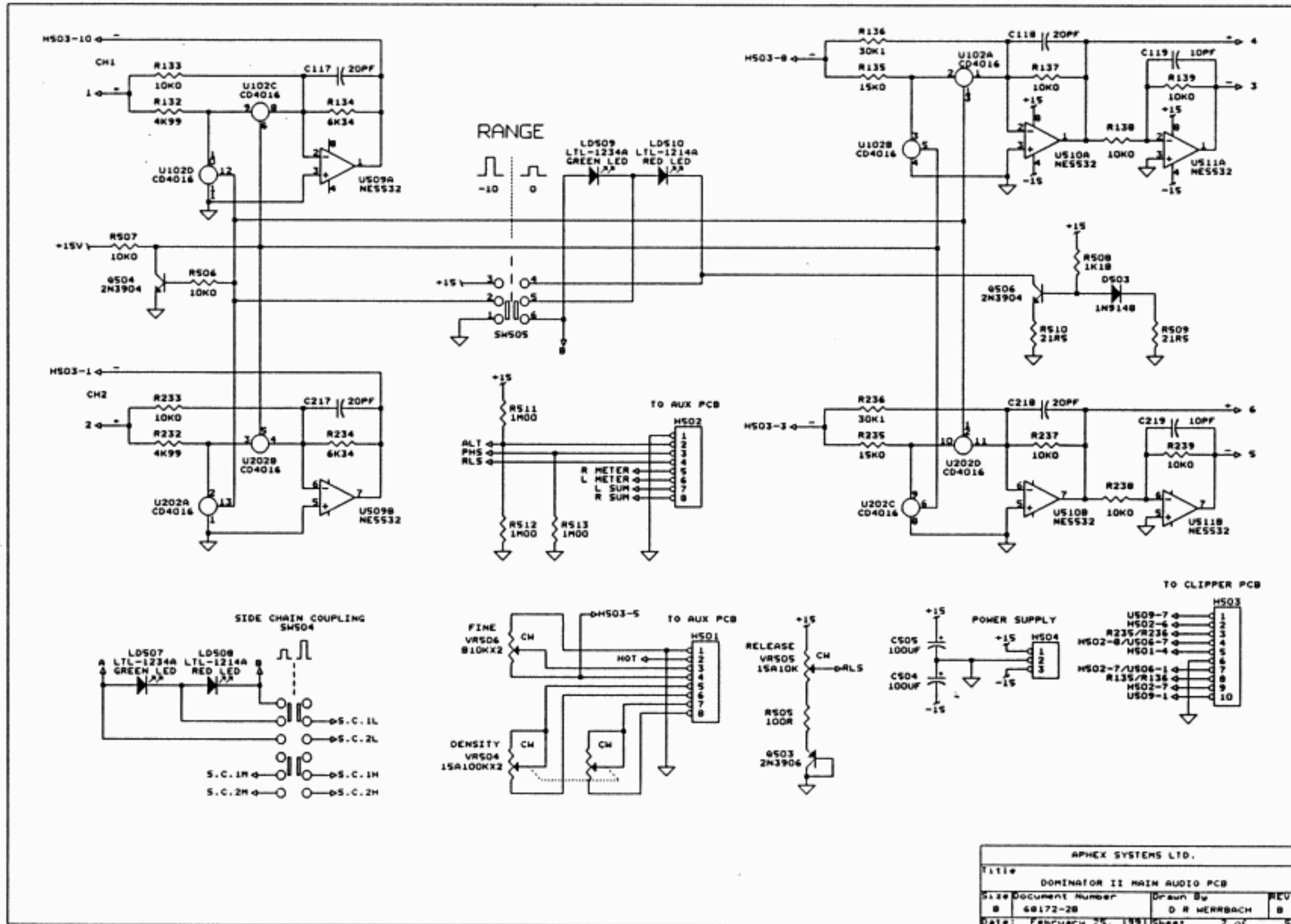


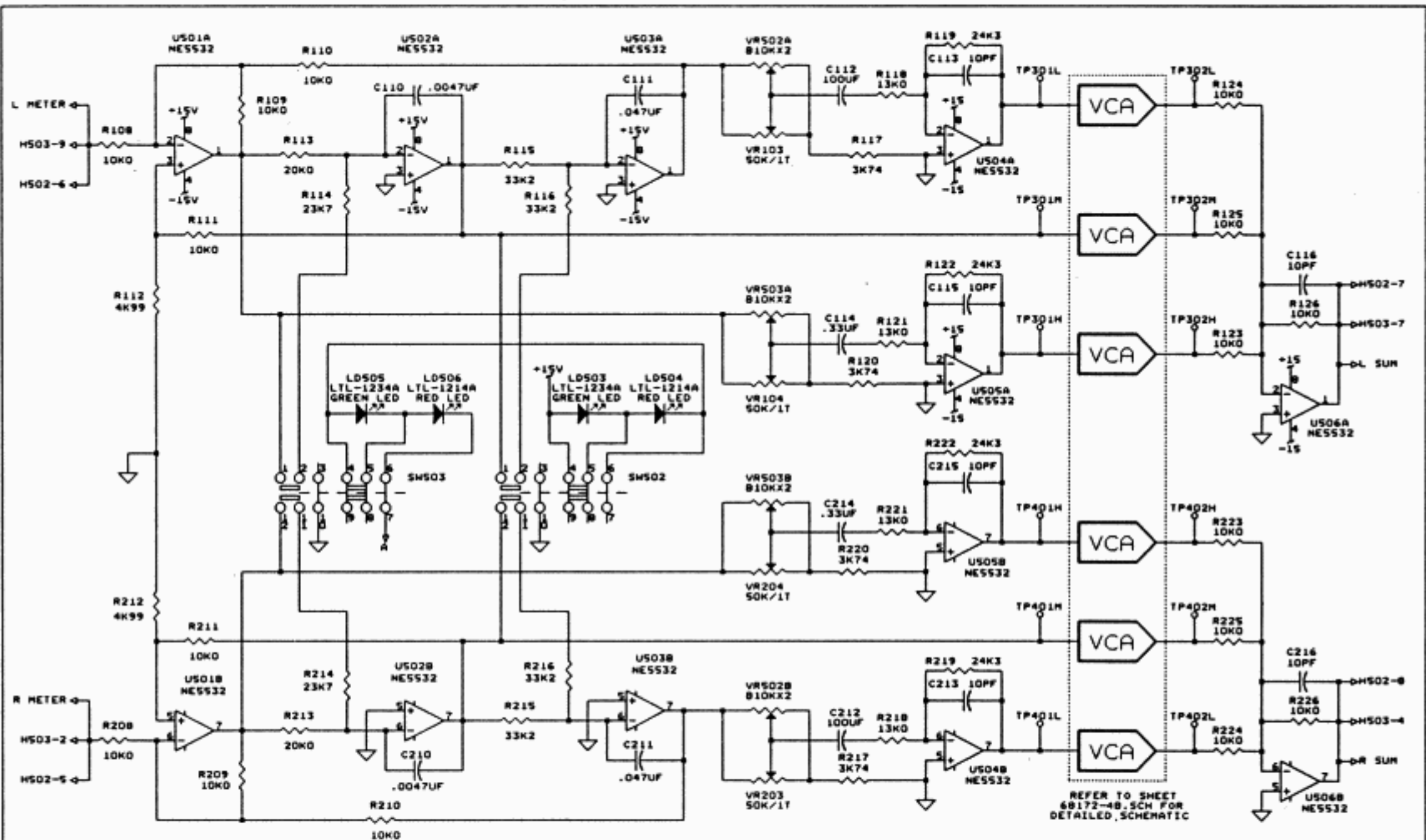
DOMINATOR II
BLOCK DIAGRAM

10.2 DOMINATOR II MAIN AUDIO PCB



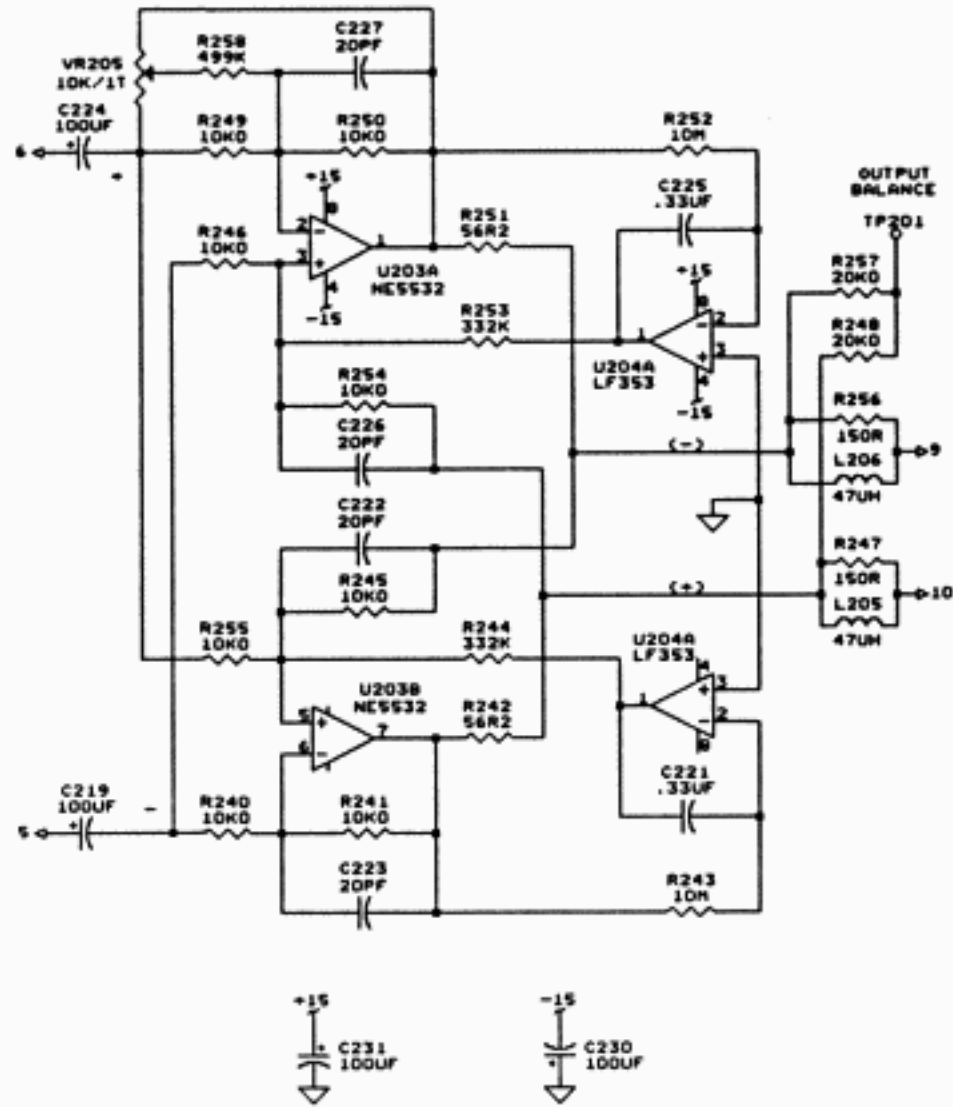
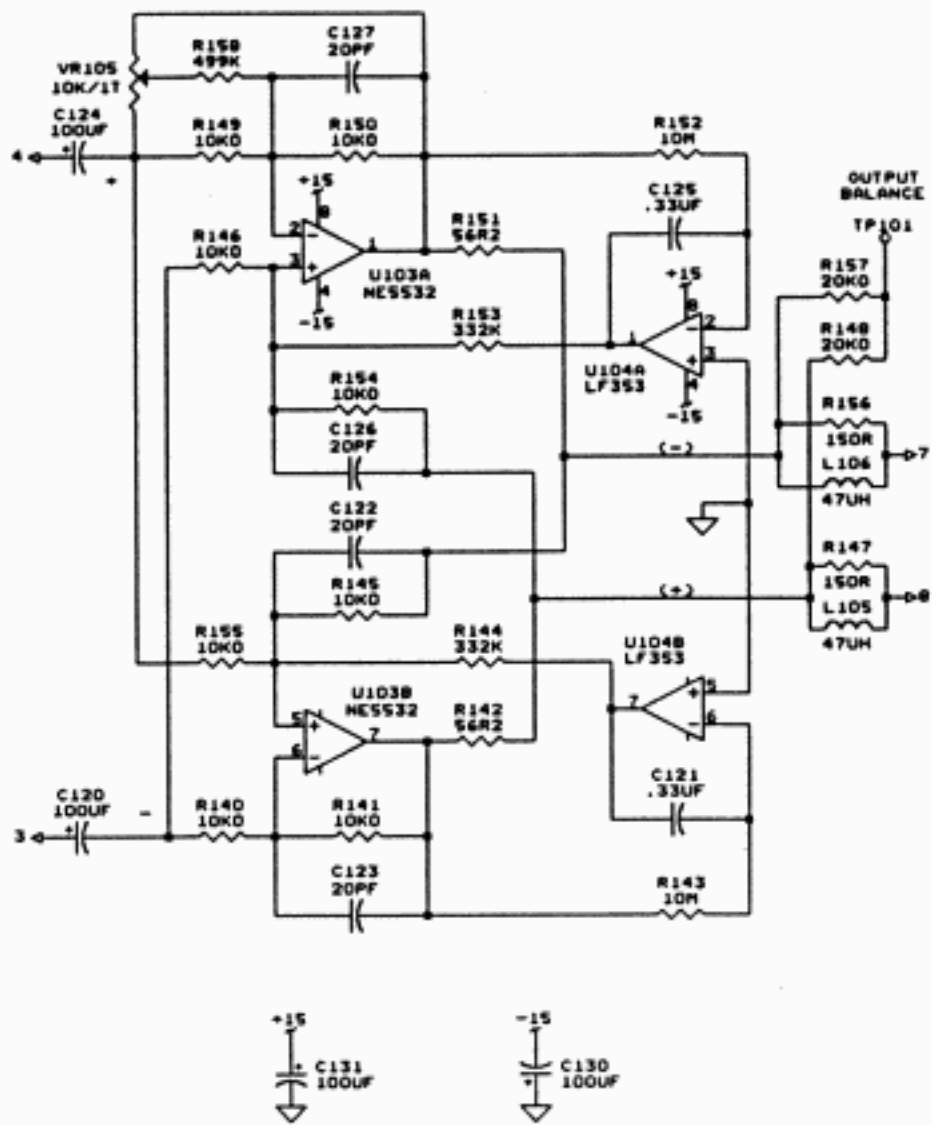
APHEX SYSTEMS LTD.			
Title			
DOMINATOR II MAIN AUDIO PCB			
Size	Document Number	Drawn By	REV
B	68172-1B.SCH	G R LIDEN	B
Date:	February 25, 1991	Sheet	1 of 5



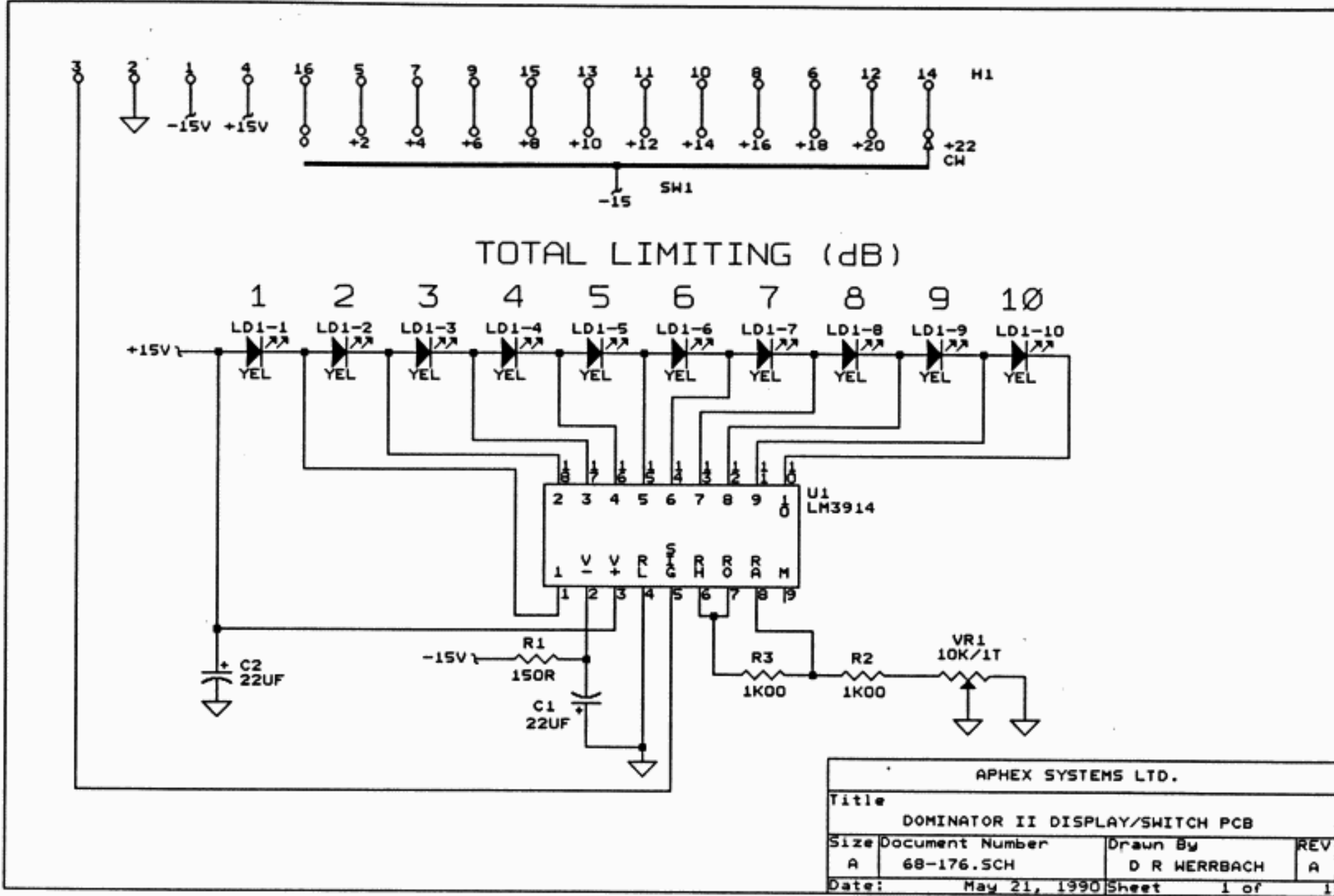


REFER TO SHEET 68172-48.SCH FOR DETAILED SCHEMATIC

APHEX SYSTEMS LTD.			
Title			
DOMINATOR II MAIN AUDIO PCB			
Size	Document Number	Drawn By	REV
0	68172-38.SCH	D R WERRBACH	0
Date:	February 25, 1991	Sheet	3 of 5



APHEX SYSTEMS LTD.			
Title			
DOMINATOR II MAIN AUDIO PCB			
Size	Document Number	Drawn By	REV
B	68172-5B.SCH	D R WERRBACH	B
Date: February 25, 1991		Sheet	5 of 5



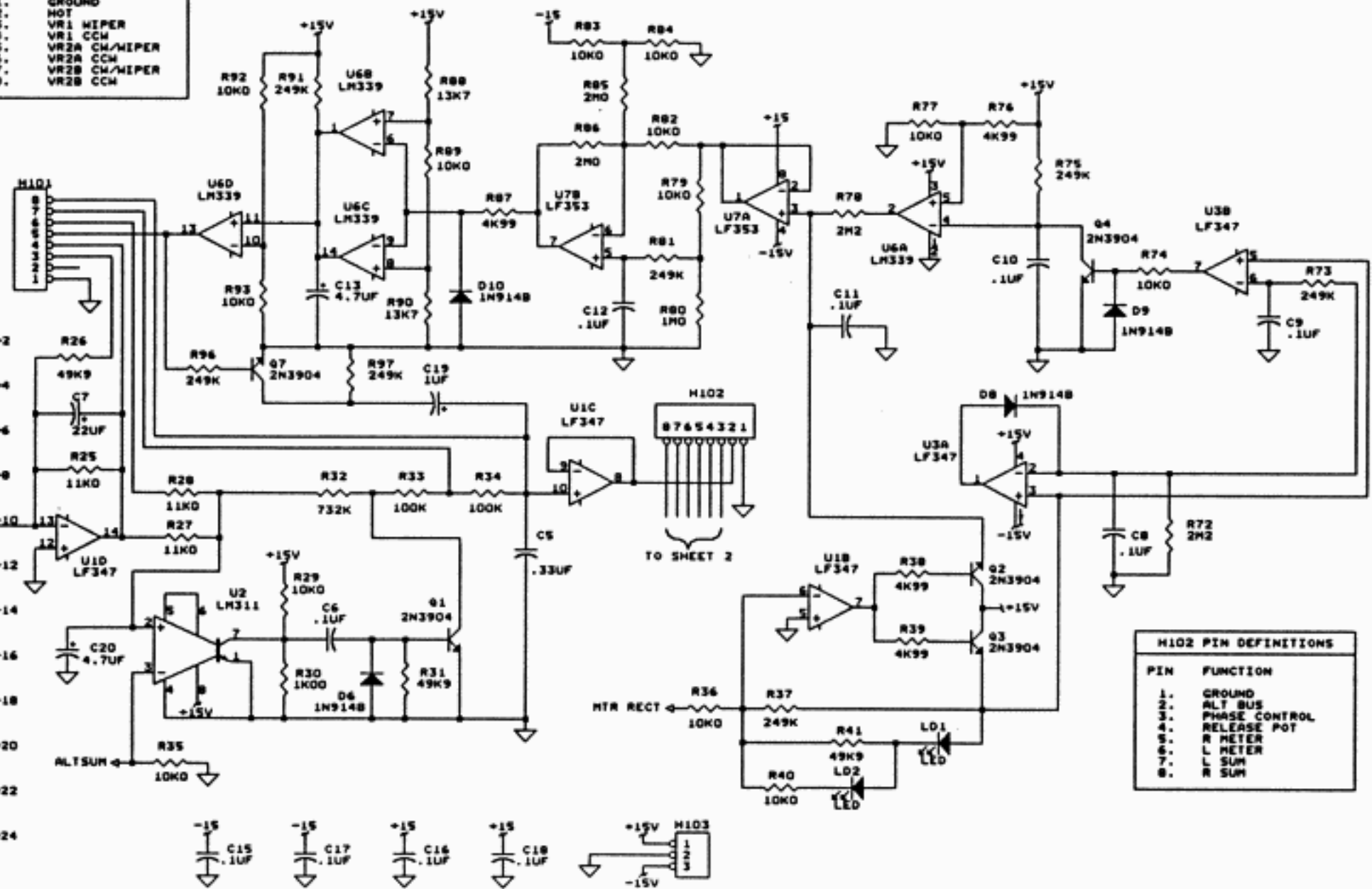
DOMINATOR II AUX CONTROL PCB

THRESH VOLTAGE	
2	0.61
4	0.73
6	0.91
8	1.08
10	1.35
12	1.67
14	2.09
16	2.59
18	3.22
20	4.04
22	5.06
24	6.30

H101 PIN DEFINITIONS	
PIN	FUNCTION
1.	GROUND
2.	HOT
3.	VR1 WIPER
4.	VR1 CCM
5.	VR2A CM/WIPER
6.	VR2A CCM
7.	VR2B CM/WIPER
8.	VR2B CCM

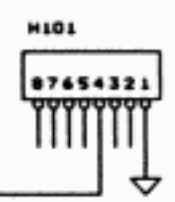
H102 PIN DEFINITIONS	
PIN	FUNCTION
1.	GROUND
2.	ALT BUS
3.	PHASE CONTROL
4.	RELEASE POT
5.	R METER
6.	L METER
7.	L SUM
8.	R SUM

H104	
30	TO SHEET 2
40	+15V
10	-15V
20	
16	R2 ZERO 249K
15	R4 ZERO 205K
14	R6 2K94
13	R8 3K32
12	R10 1K02
11	R12 750R
10	R14 133R
9	R16 249R
8	R18 976R
7	R20 442R
6	R22 51R1
5	R24 402R
2	R1 249K
4	R3 205K
6	R5 165K
8	R7 133K
10	R9 110K
11	R11 88K7
13	R13 71K5
15	R15 57K6
17	R17 45K3
19	R19 49K9
21	R21 36K5
23	R23 29K4
24	R25 23K2

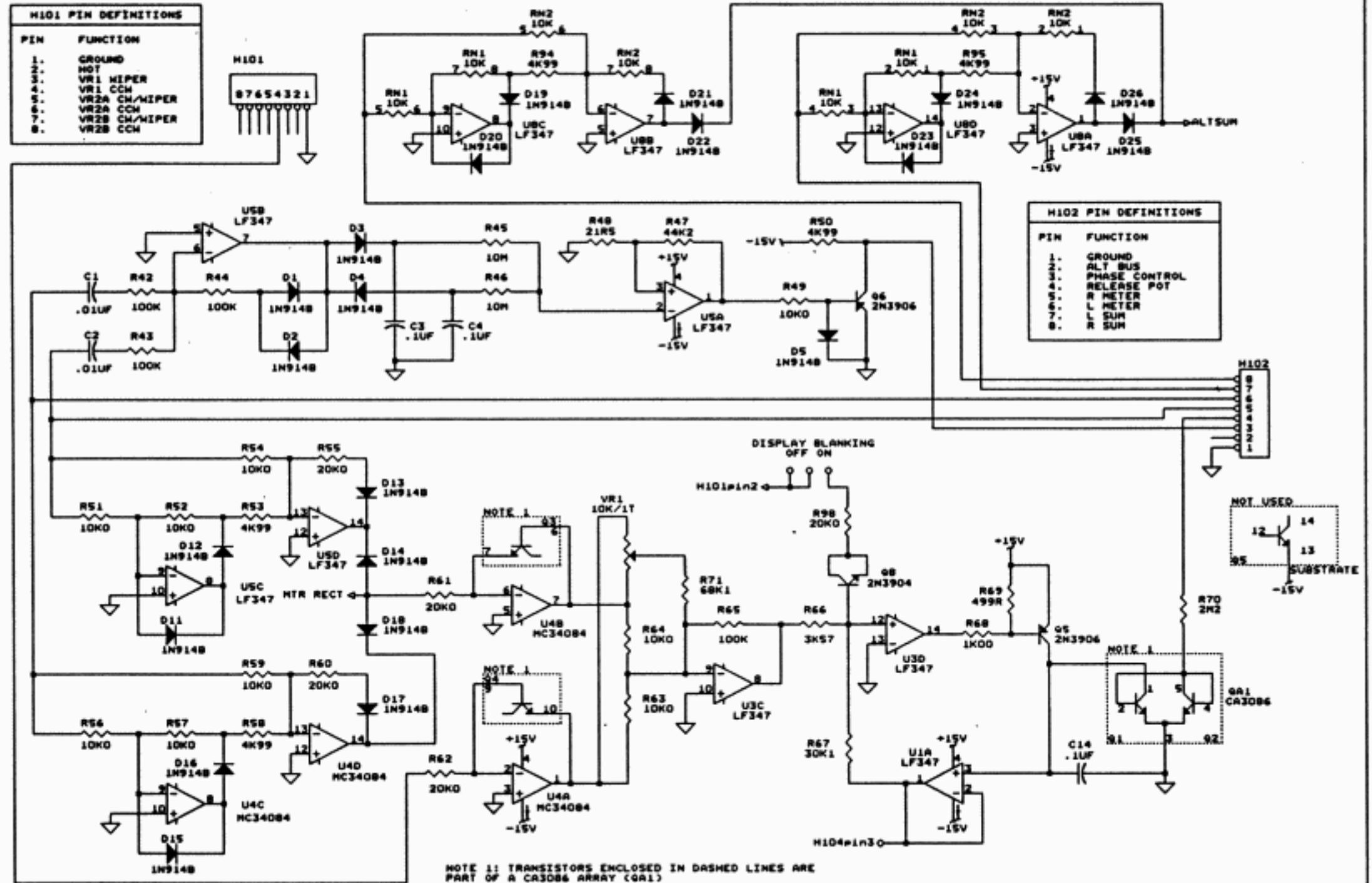


APHEX SYSTEMS LTD.			
Title DOMINATOR II AUX CONTROL PCB			
Size	Document Number	Drawn By	REV
B	68177-18.SCH	D R HERRBACH	B
Date:	January 31, 1991		Sheet 1 of 2

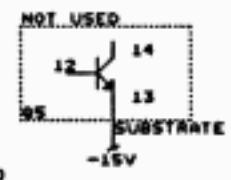
H101 PIN DEFINITIONS	
PIN	FUNCTION
1.	GROUND
2.	HOT
3.	VR1 HIPER
4.	VR1 CCM
5.	VR2A CH/HIPER
6.	VR2A CCM
7.	VR2B CH/HIPER
8.	VR2B CCM



H102 PIN DEFINITIONS	
PIN	FUNCTION
1.	GROUND
2.	ALT BUS
3.	PHASE CONTROL
4.	RELEASE POT
5.	R METER
6.	L METER
7.	L SUM
8.	R SUM

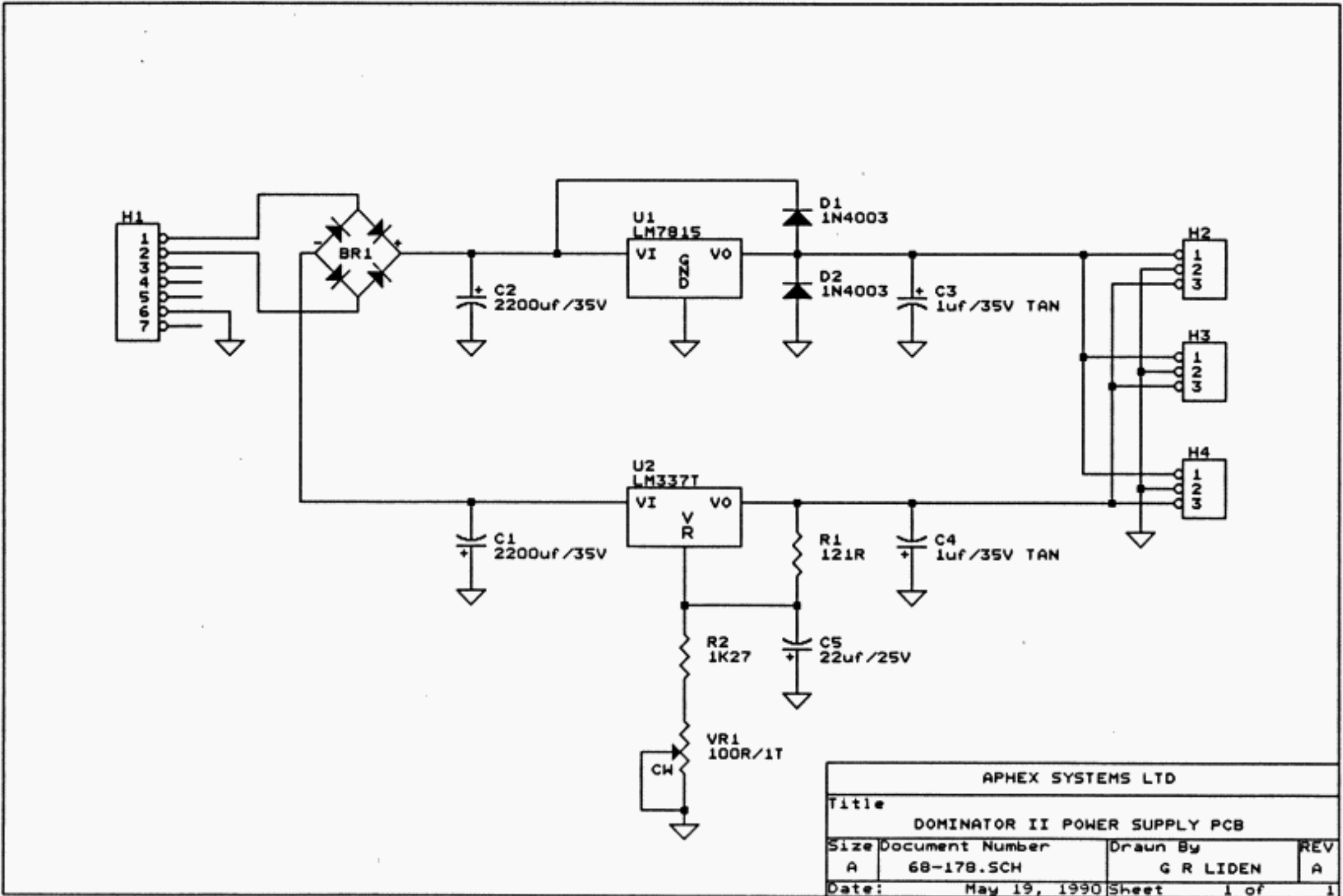


NOTE 1: TRANSISTORS ENCLOSED IN DASHED LINES ARE PART OF A CA3086 ARRAY (Q81)



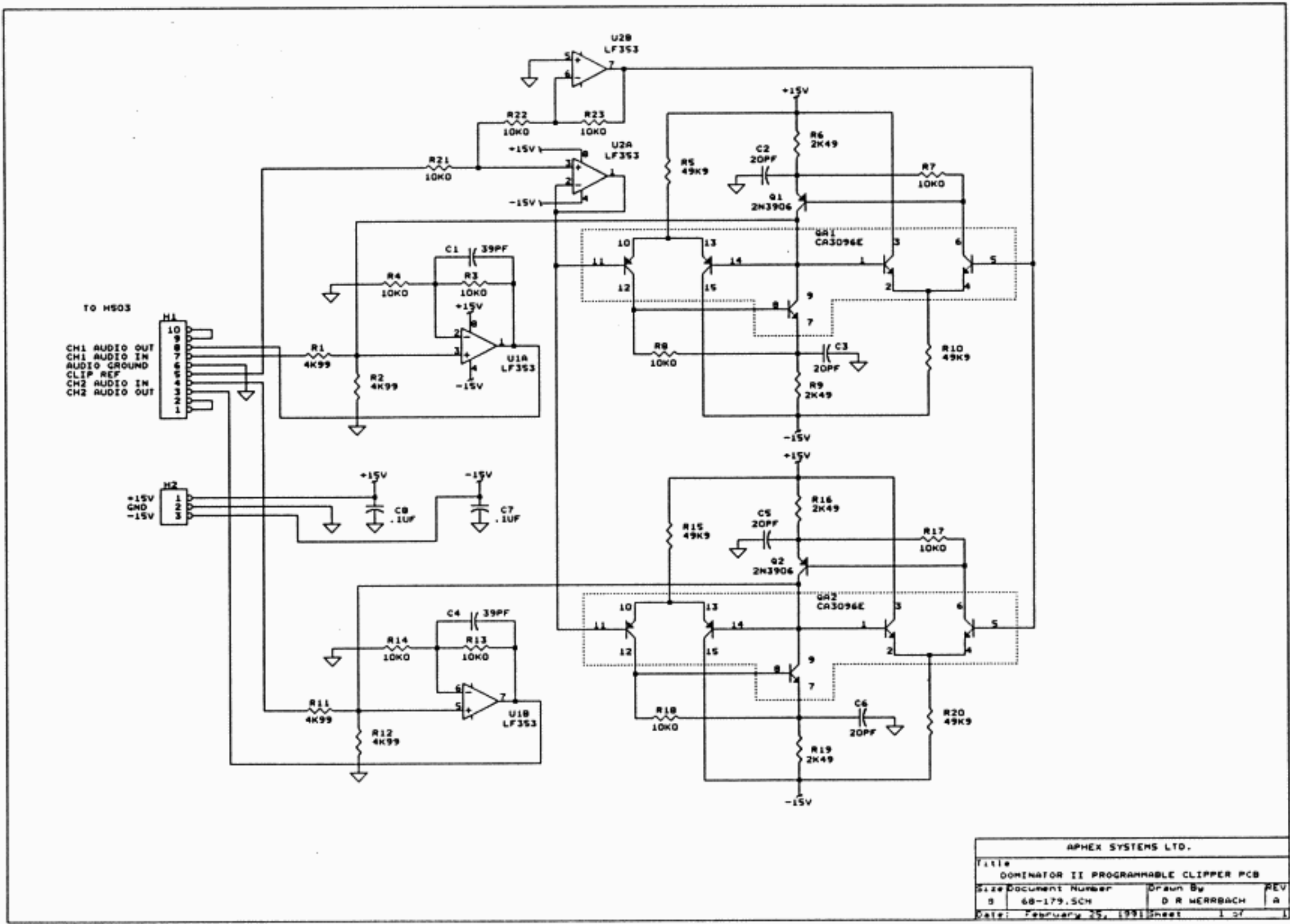
APHEX SYSTEMS LTD.			
Title			
DOMINATOR II AUX CONTROL PCB			
Size	Document Number	Drawn By	REV
B	68177-2B.SCH	D R HERRBACH	B
Date:	March 4, 1991	Sheet	2 of 2

10.5 DOMINATOR II POWER SUPPLY



APHEX SYSTEMS LTD			
Title DOMINATOR II POWER SUPPLY PCB			
Size A	Document Number 68-178.SCH	Drawn By G R LIDEN	REV A
Date: May 19, 1990		Sheet 1 of 1	

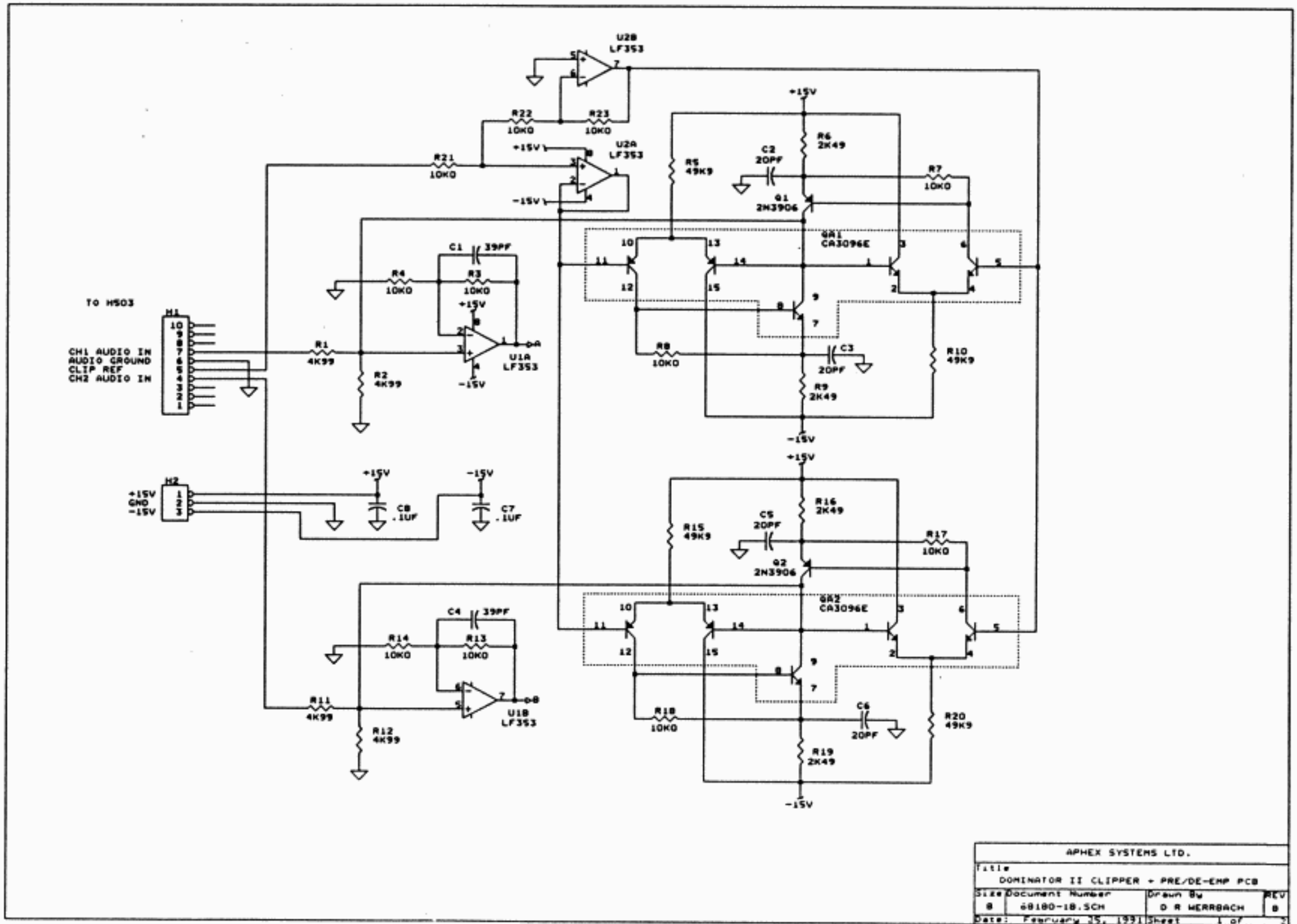
10.6 DOMINATOR II PROGRAMMABLE CLIPPER PCB



APHEX SYSTEMS LTD.			
Title DOMINATOR II PROGRAMMABLE CLIPPER PCB			
Size	Document Number	Drawn By	REV
0	68-179.SCH	D R WERRBACH	A
Date:	February 25, 1991	Sheet	1 of 1

10.7 DOMINATOR II CLIPPER + PRE/DE-EMP PCB

Schematics A-12



APHEX SYSTEMS LTD.			
Title DOMINATOR II CLIPPER + PRE/DE-EMP PCB			
Size	Document Number	Drawn By	REV
B	68180-18.SCH	D R HERRBACH	B
Date:	February 15, 1991	Sheet	1 of 2