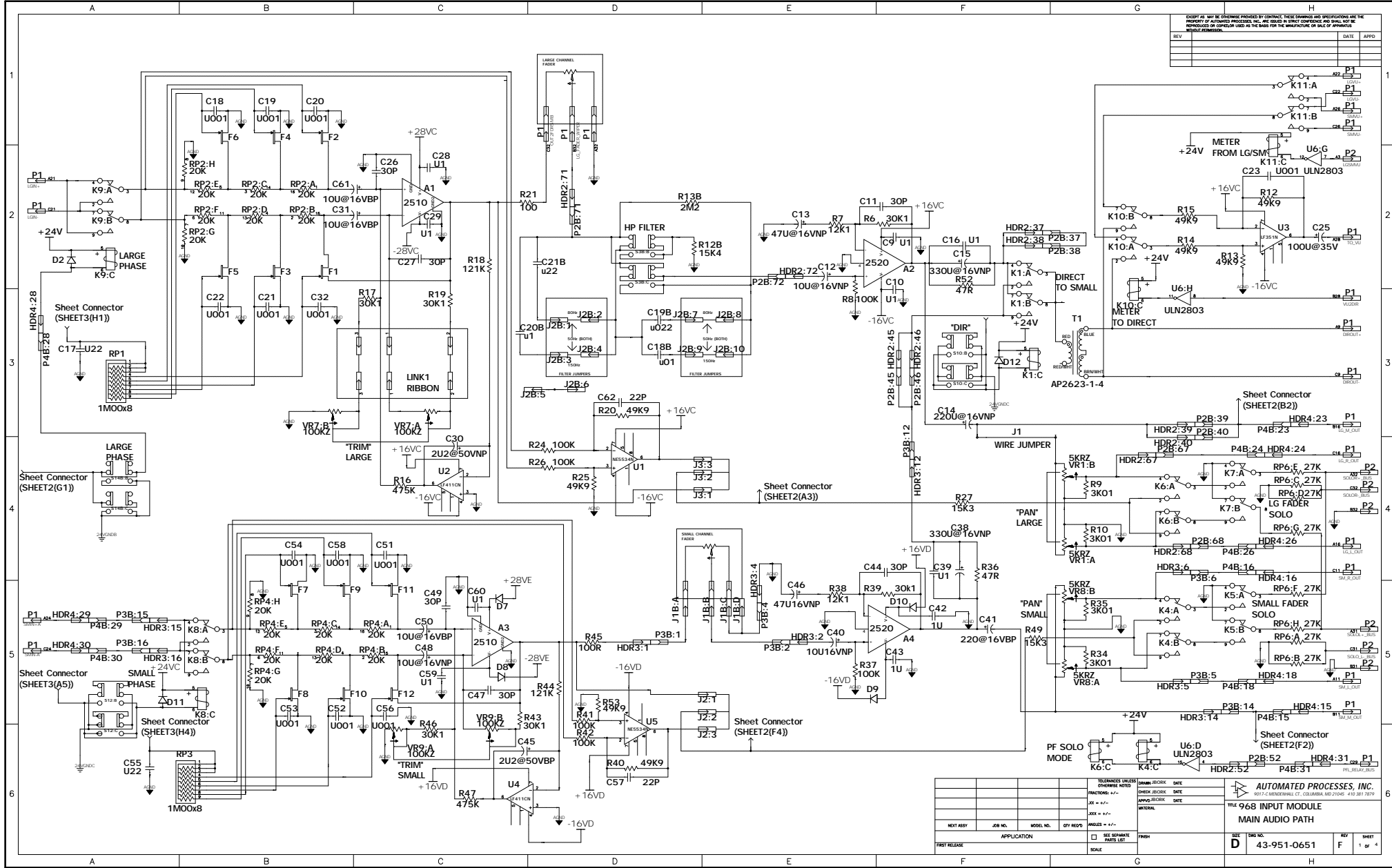


REV	DATE	APPRO



TECHNICAL NOTES				AUTOMATED PROCESSES, INC.			
DESIGNER	DATE	CHECKED	DATE	9017-C BENDERHALL CT. COLUMBIA, MD 21046 410.381.7870			
DRAWN	DATE	APP'D	DATE	TITLE 96B INPUT MODULE			
SCALE				MAIN AUDIO PATH			
				REV	DATE	SHEET	
				D	43-951-0651	F	1 OF 4