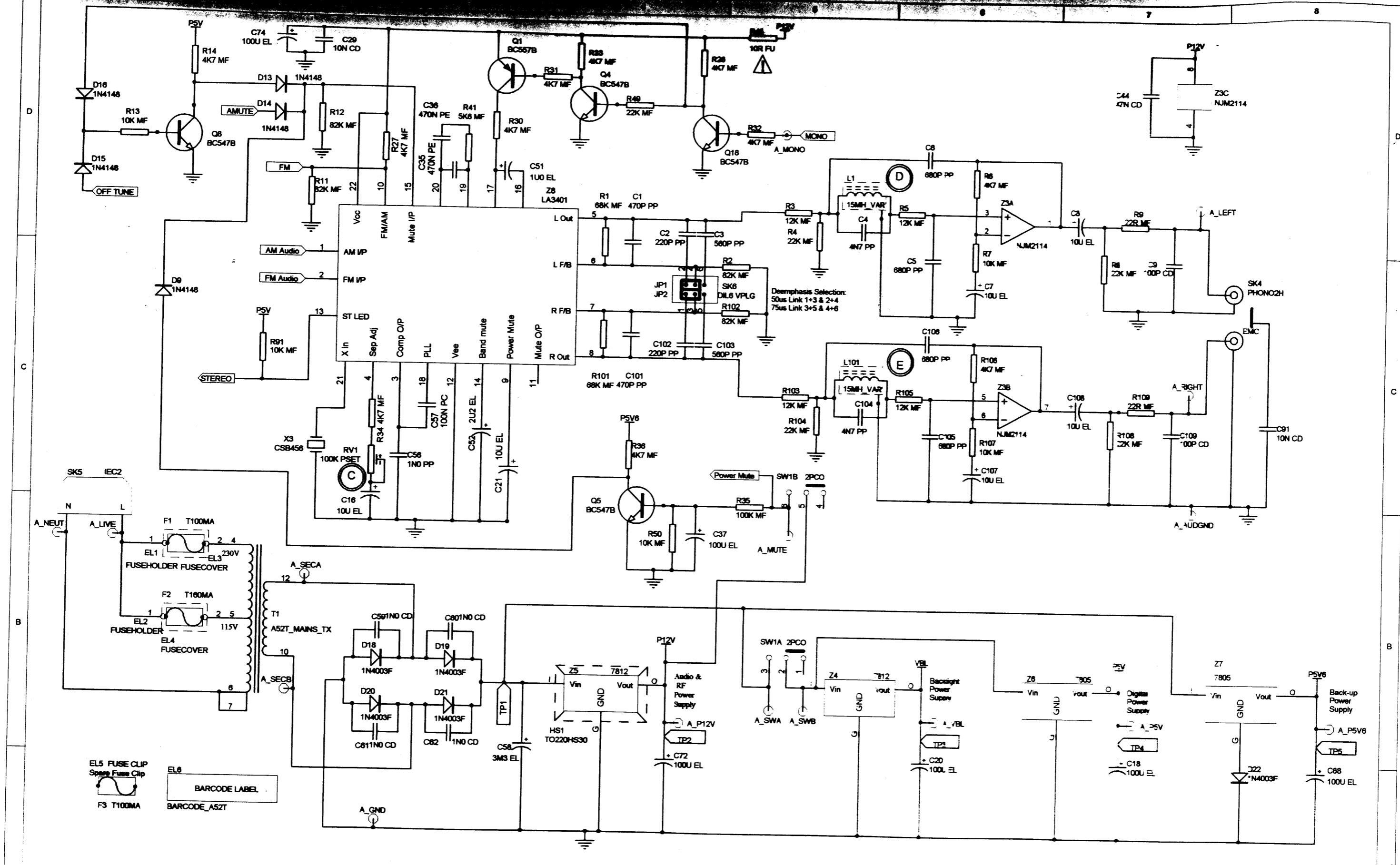
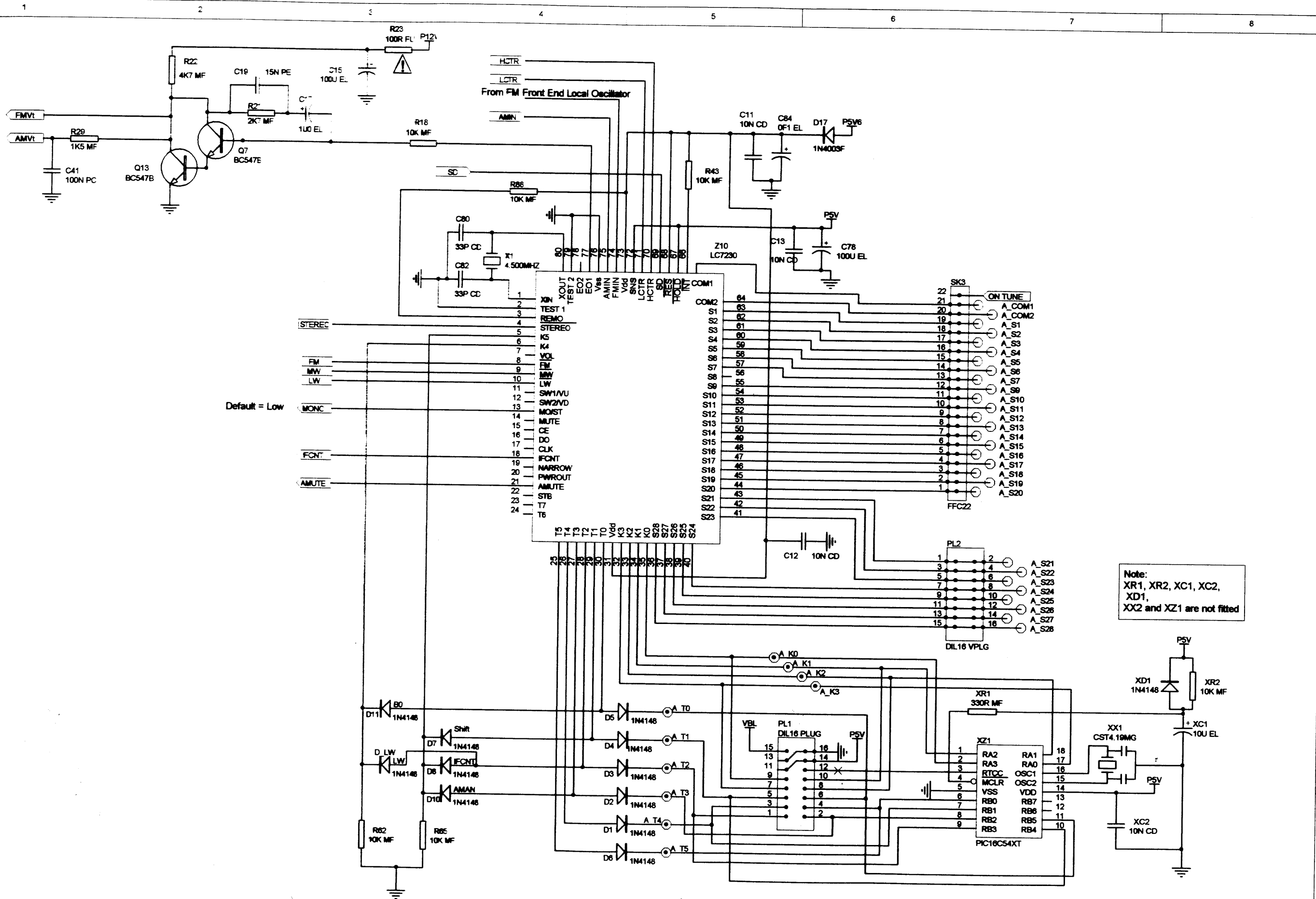


ARCAM		DRAWING TITLE							
A & R Cambridge Ltd. Pembroke Avenue Denny Industrial Centre Waterbeach Cambridge CB5 9PB		Alpha 5 Plus AM/FM Tuner		CAH	95/081	14-7-95	R40 was 4K7	L806CT	4
		Circuit Diagram		CAH	95/048	12-6-95	R16 was 10K, R21 was 4K7, R78 was 15K		3
		Sheet 1 of 3		CAH	95/048	18-5-95	C90 was 220pF		2
Filename C:\PROJ\CT\ARCAM\TUNER\PCB\ARCAM_1.SCH		DRAWN BY	CHK BY	ECO No.	DATE	DESCRIPTION OF CHANGE		DRG NO.	ISSUE

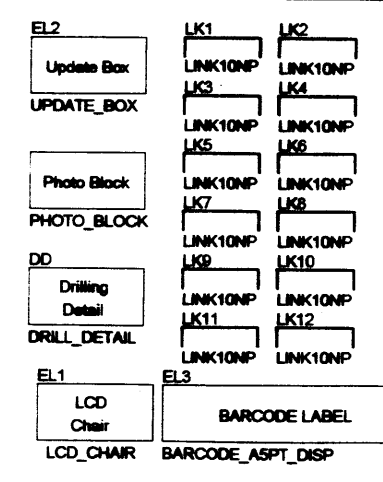
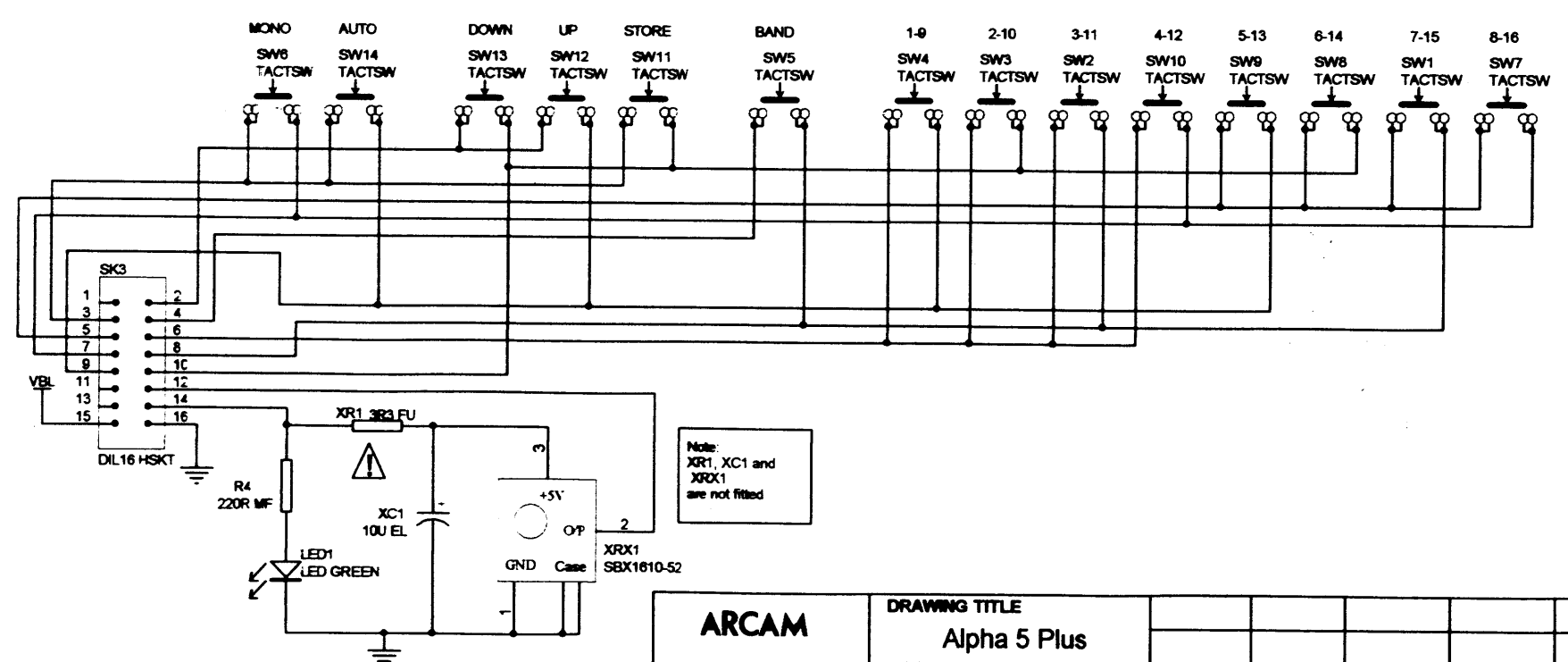
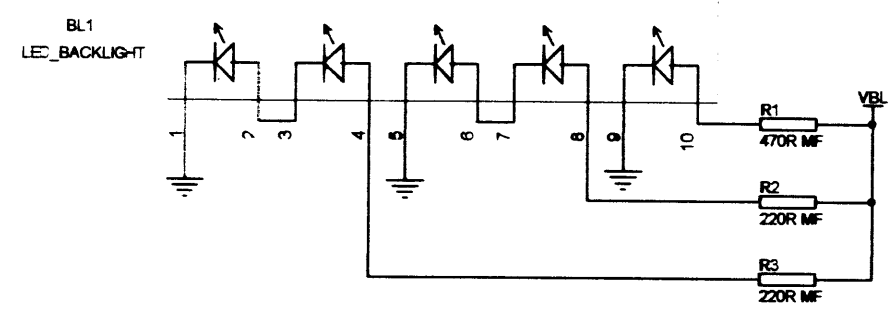
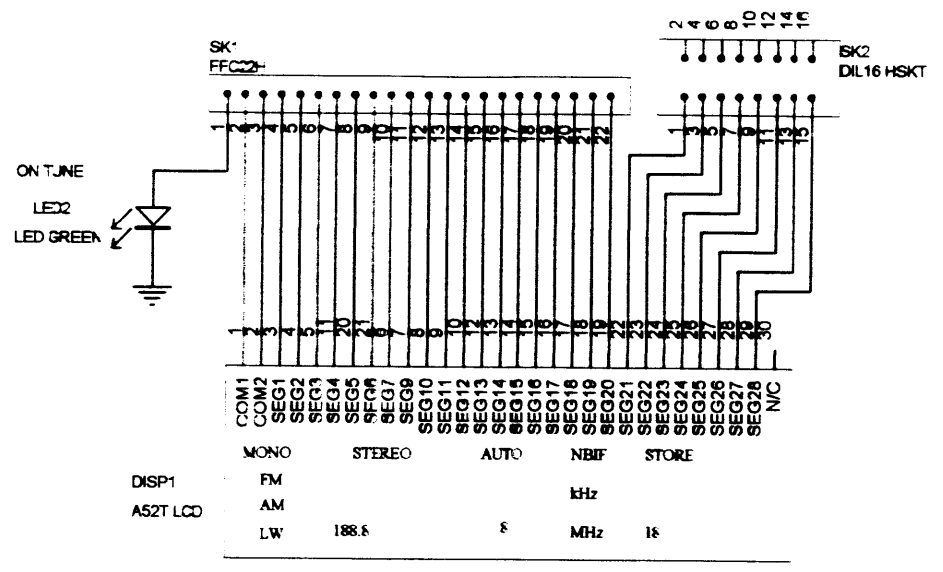


ARCAM		DRAWING TITLE								
A & R Cambridge Ltd. Pembroke Avenue Denny Industrial Centre Waterbeach Cambridge CB6 9PB		Alpha 5 Plus AM/FM Tuner		CAH	95/001				L806CT	4
		Circuit Diagram		CAH	35/048	12-6-95	R16 was 10K, R21 was 4K7, R78 was 15K		L806CT	3
Sheet 2 of 3		CAH	35/048	18-5-95	C90 was 220pF					2
Filename: G:\PROJECTS\ARC\CIRCUIT\TUNER_1.LIB		CAH								1
DRAWN BY	CHK BY	ECO No.	DATE	DESCRIPTION OF CHANGE		DRG NO.	ISSUE			



Note:
 XR1, XR2, XC1, XC2,
 XD1,
 XX2 and XZ1 are not fitted

ARCAM		DRAWING TITLE								
A & R Cambridge Ltd. Pembroke Avenue Denny Industrial Centre Waterbeach Cambridge CB6 9PB		Alpha 5 Plus AM/FM Tuner		CAH	95/081			L806CT	4	
		Circuit Diagram		CAH	95/048	12-6-95	R16 was 10K, R21 was 4K7, R78 was 15K	L806CT	3	
		Sheet 3 of 3		CAH	95/048	18-5-95	C90 was 220pF			2
		Filename G:\PROJECTS\TUNING\CIRCUIT\TUNING_3.SCH		CAH						1
	DRAWN BY	CHK BY	ECO No.	DATE	DESCRIPTION OF CHANGE	DRG NO.	ISSUE			



ARCAM A & R Cambridge Ltd. Penbroke Avenue Denny Industrial Centre Waterbeach Cambridge CB5 9PB	DRAWING TITLE									
	Alpha 5 Plus AM/FM Tuner Display Circuit Diagram									
	Sheet 1 of 1		CAH		18-5-95				L907CT	1
Filename		DRAWN BY	CHK BY	ECO No.	DATE	DESCRIPTION OF CHANGE		DRG NO.	ISSUE	
G:\PROJECTS\AS2TUNER\ASPTDIS1.SCH										