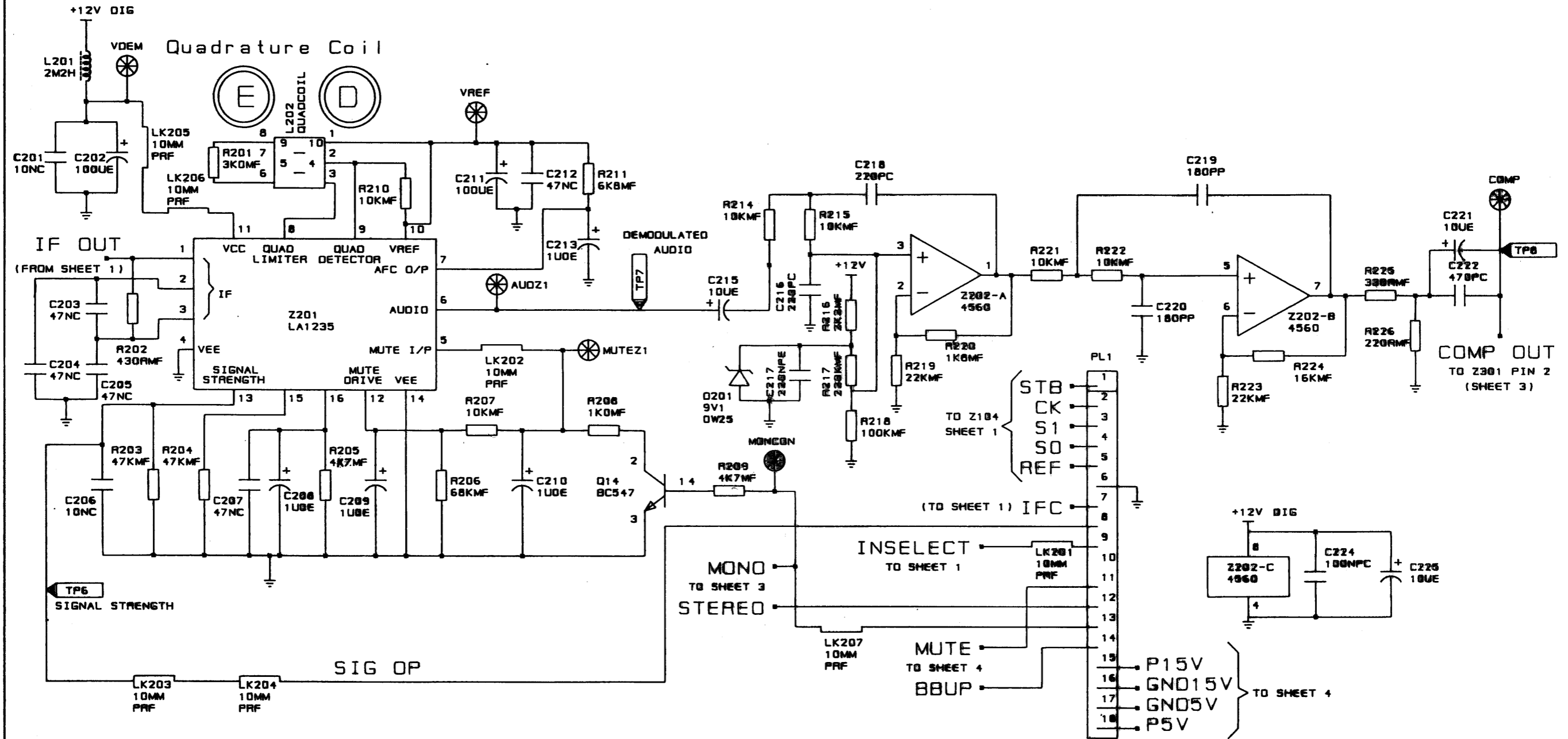


ARCAM A & R CAMBRIDGE LTD. WATERBEACH CAMBRIDGE CB8 9PB		DRAWING TITLE			
		DELTA 280 TUNER MAIN PCB FRONT END AND IF FILTERS			
1	MTE	8/11/94	DESCRIPTION OF CHANGE		ECO
DRAWING TYPE			DRAWN WITH REFERENCE TO BS 3		
DRAWN BY MTE		DATE JUNE 94	CHECKED BY		DATE
TOLERANCES		SMT 1 OF 4	PART/ORG No. L704CT		

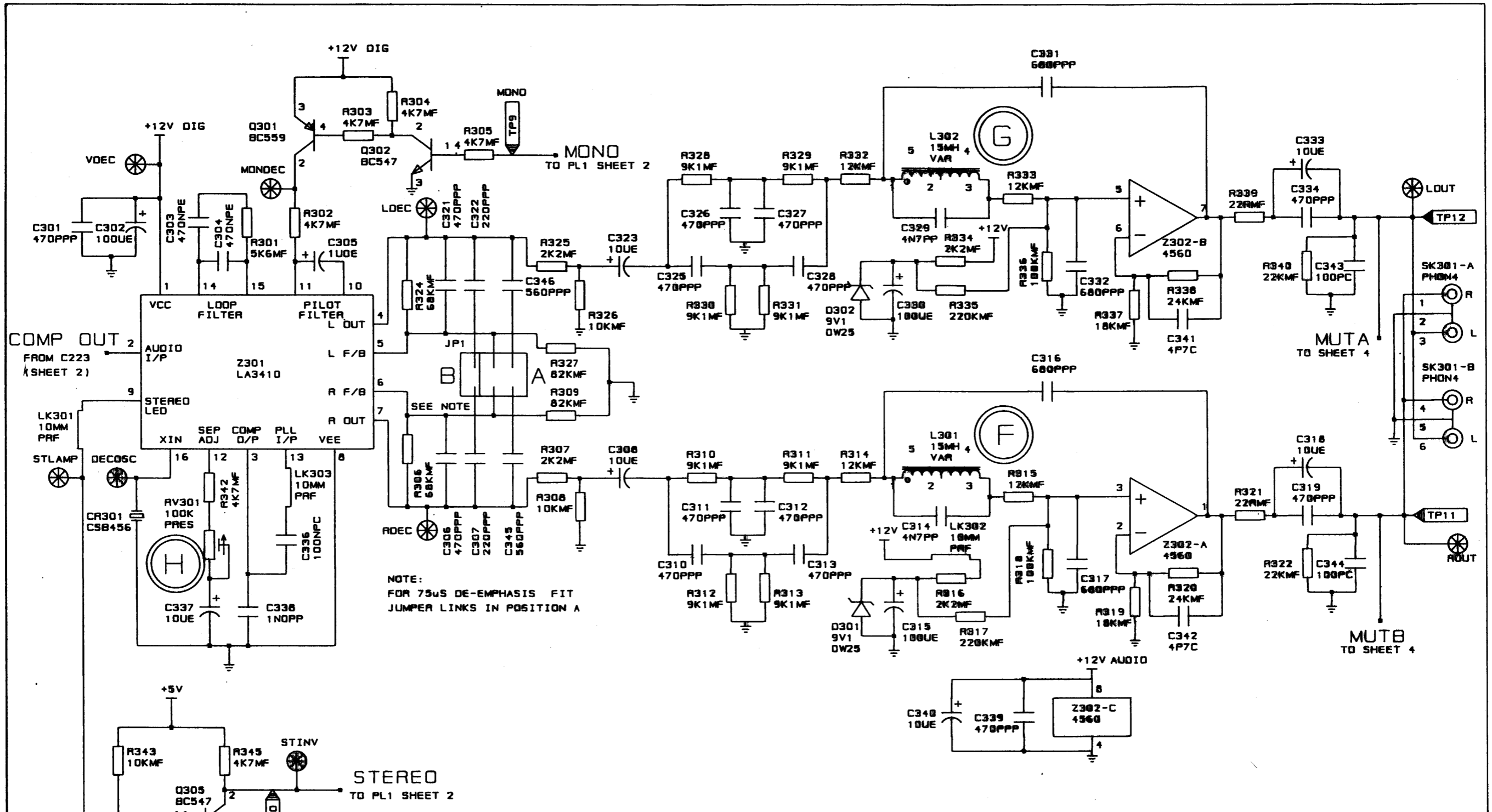
Y1 Y2 Y3 Y4 Y5 Y6 Y7 Y8 Y9 Y10 Y11 Y12 Y13

**MASTER
IF RED**



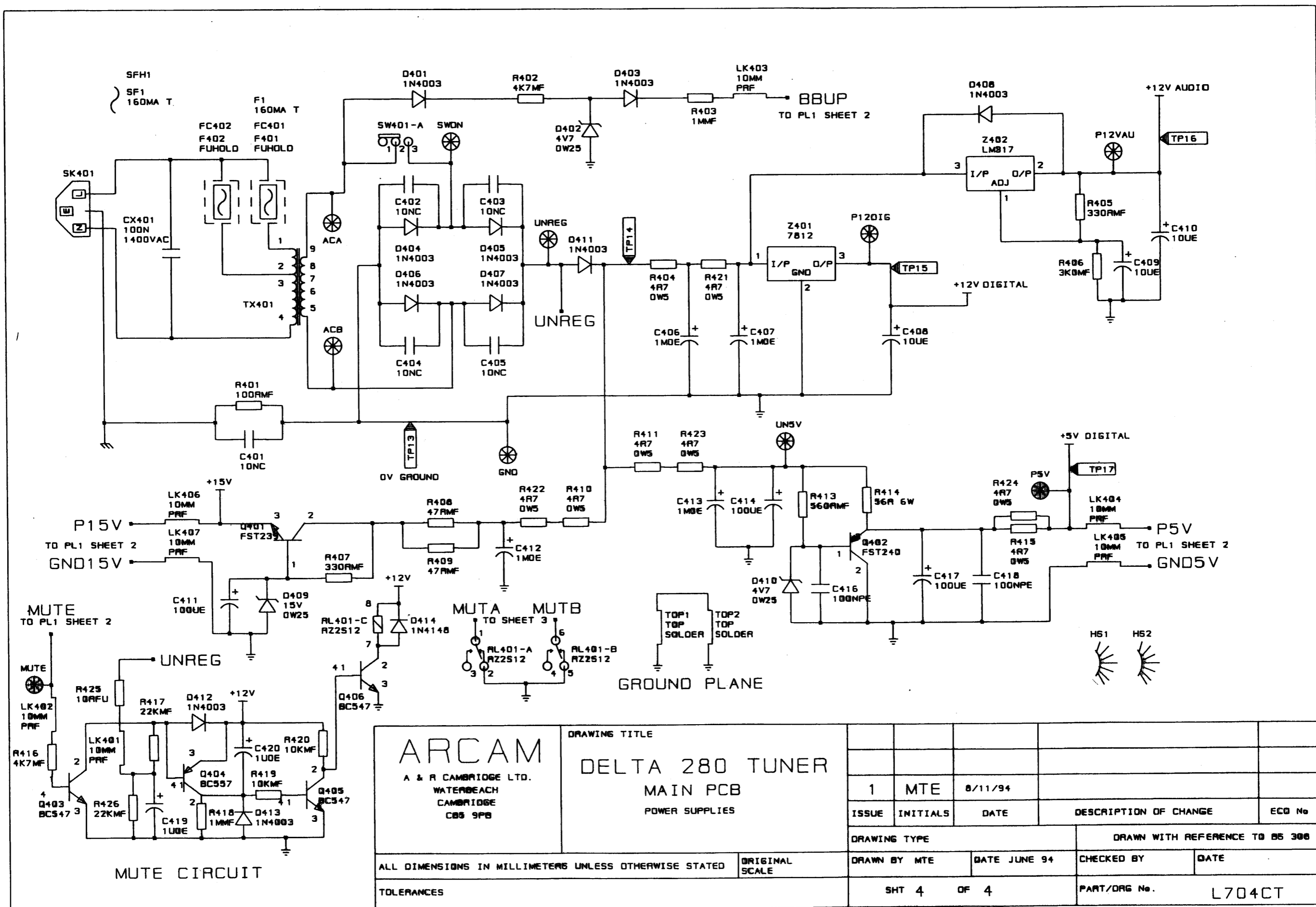
ARCAM A & R CAMBRIDGE LTD. WATERBEACH CAMBRIDGE CB5 9PB	DRAWING TITLE						
	DELTA 280 TUNER MAIN PCB IF DEMODULATOR & BIRDIE FILTER						
	1	MTE	8/11/94				
	ISSUE	INITIALS	DATE	DESCRIPTION OF CHANGE		ECB No	
DRAWING TYPE				DRAWN WITH REFERENCE TO BS 300			
DRAWN BY MTE		DATE JUNE 94		CHECKED BY		DATE	
TOLERANCES		SHT 2 OF 4		PART/ORG No.		L704CT	

MASTER
IF RED



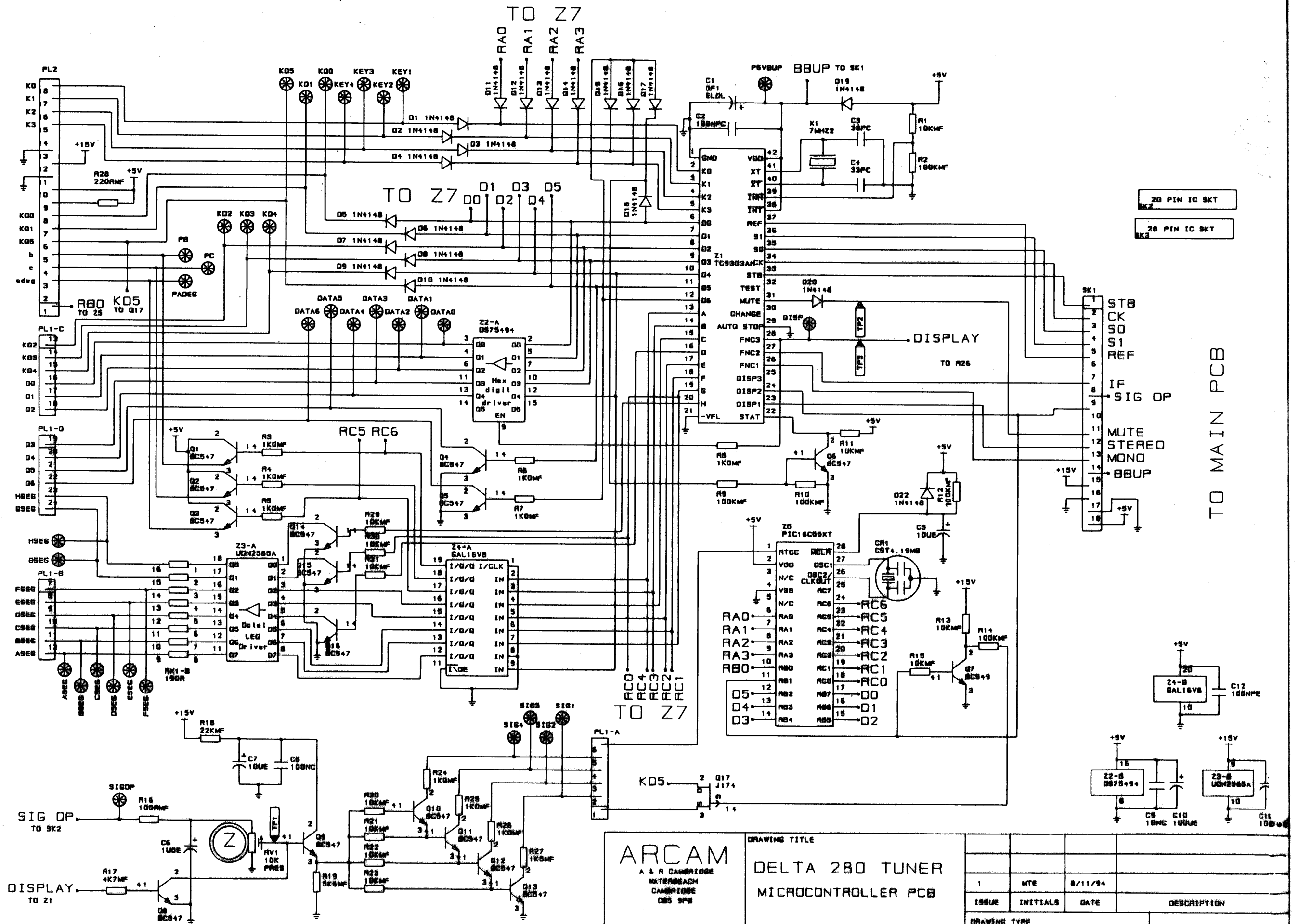
ARCAM A & R CAMBRIDGE LTD. WATERBEACH CAMBRIDGE CB5 9PB		DRAWING TITLE			
		DELTA 280 TUNER MAIN PCB STEREO DECODER & AUDIO FILTER			
ISSUE	INITIALS	DATE	DESCRIPTION OF CHANGE	ECO No	
1	MTE	8/11/94			
DRAWING TYPE			DRAWN WITH REFERENCE TO DB 300		
DRAWN BY MTE		DATE JUNE 94	CHECKED BY	DATE	
TOLERANCES			PART/ORIG No.		L704CT
ALL DIMENSIONS IN MILLIMETERS UNLESS OTHERWISE STATED			ORIGINAL SCALE		
ST 3 OF 4					

**MASTER
IF RED**

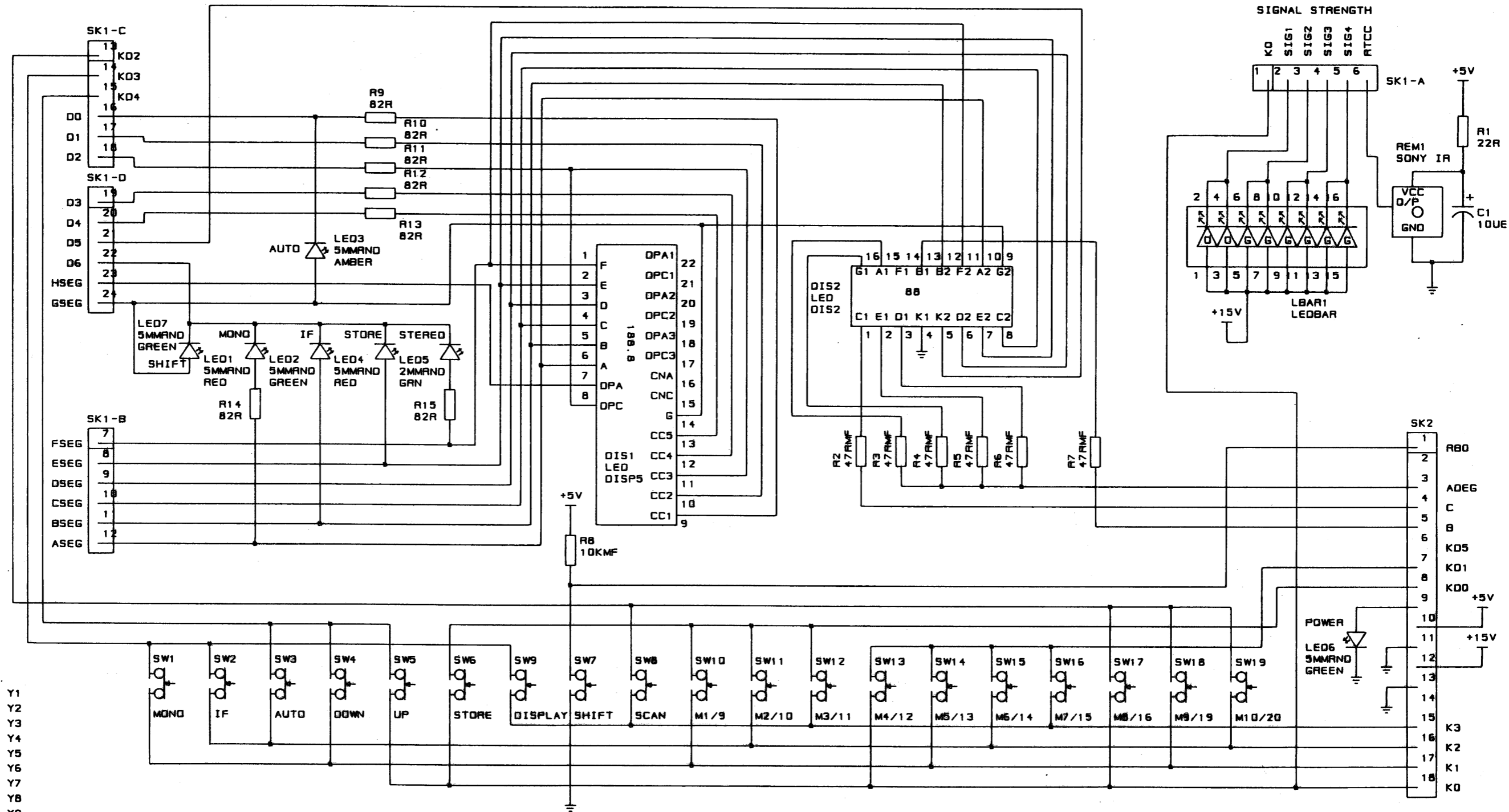


ARCAM A & R CAMBRIDGE LTD. WATERBEACH CAMBRIDGE CB8 9PB		DRAWING TITLE			
		DELTA 280 TUNER MAIN PCB POWER SUPPLIES			
ALL DIMENSIONS IN MILLIMETERS UNLESS OTHERWISE STATED		ORIGINAL SCALE		DRAWING TYPE	
TOLERANCES		SHT 4 OF 4		DRAWN WITH REFERENCE TO BS 306	
		DATE JUNE 94		CHECKED BY	
		PART/ORG No.		L704CT	

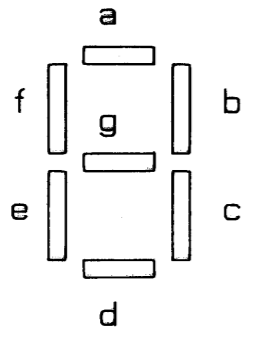
**MASTER
IF RED**



**MASTER
IF RED**



Y1
Y2
Y3
Y4
Y5
Y6
Y7
Y8
Y9
Y10
Y11
Y12
Y13
Y14
Y15
Y16
Y17
Y18
Y19
Y20



<p>ARCAM A & R CAMBRIDGE LTD. WATERBEACH CAMBRIDGE CB5 9PB</p>		DRAWING TITLE			
		<p>DELTA 280 TUNER DISPLAY BOARD</p>			
ALL DIMENSIONS IN MILLIMETERS UNLESS OTHERWISE STATED		ORIGINAL SCALE	DRAWN BY MTE		DATE JUNE 94
TOLERANCES		DRAWING TYPE		DRAWN WITH REFERENCE TO BS 308	
		ISSUE 1	INITIALS MTE	DATE 8/11/94	DESCRIPTION OF CHANGE
		DRAWN BY MTE		DATE JUNE 94	CHECKED BY
		SHT 1 OF 1		PART/DRG No.	L706CT

**MASTER
IF RED**